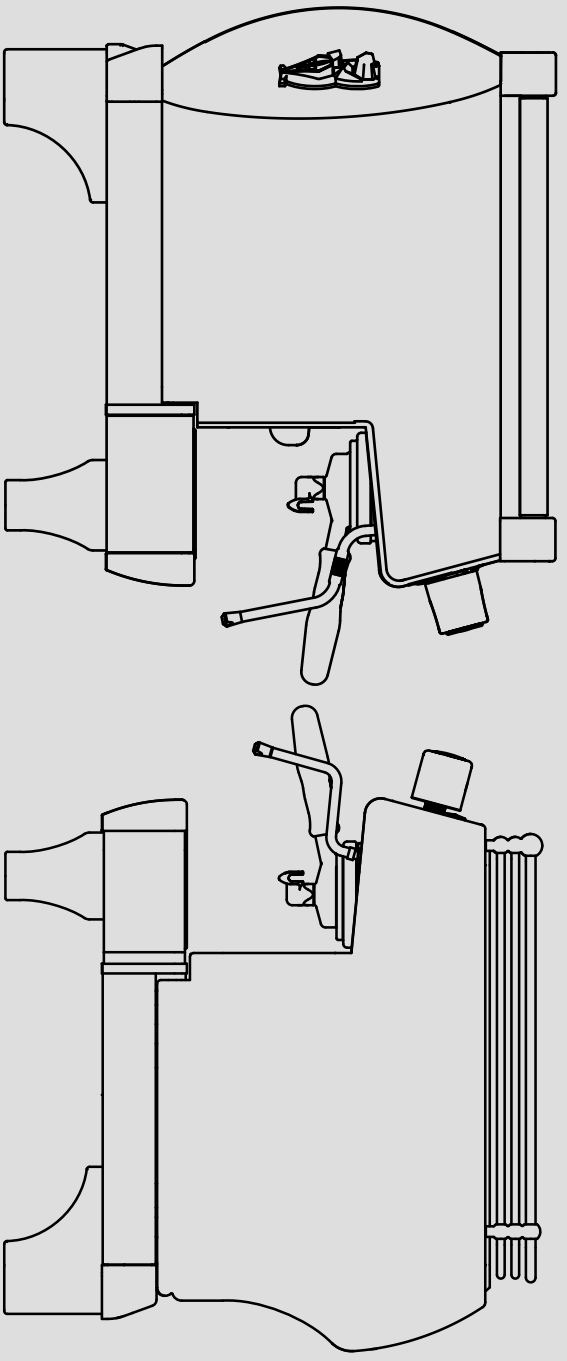


parts catalog

gb5 - fb80







INDEX

		Pag.	Ver.
Specifications	Caratteristiche Tecniche	4	5.2
Body Panel Assembly	Carrozzeria	6	5.2
Control Panel Assembly	Pannello di Controllo	14	5.2
Control Panel Assembly - Barista Lights	Pannello di Controllo - Luci Barista	18	5.2
Control Panel Assembly - Logo Lights	Pannello di Controllo - Luci Logo	20	5.2
Steam Wand Assembly	Lancia - Rubinetto Vapore	22	5.2
Anti-Suction Steam Valve Kit	Kit Antirisucchio Rubinetto Vapore	27	5.2
Autosteam Assembly	Autosteam	29	5.2
Hydraulic Assembly	Impianto Idraulico	36	5.2
Hot Water Mixing Valve	Valvola Miscelatrice Acqua Calda	42	5.2
Pre-Heating Mix Valve	Valvola Termostatica	44	5.2
Single Boiler Version	Versione Caldaie Singole	46	5.2
Fittings and Valves	Raccordi e Valvole	52	5.2
Coffee Boiler	Caldaia Caffè	56	5.2
Boiler Assembly	Caldaie	70	5.2
Custom Color	Colori Personalizzati	73	5.2
Heating Elements	Resistenze Elettriche	83	5.2
Electrical System and Pump	Impianto Elettrico e Pompa	87	5.2
Portafilter Assembly	Portafiltri	90	5.2
Hose and Accessories	Tubi e Accessori	94	5.2



la marzocco
handmade in florence

SPECIFICATIONS - GB5 & FB80

gb5



fb80





la marzocco

handmade in florence

SPECIFICATIONS - GB5 & FB80

Caratteristiche Tecniche

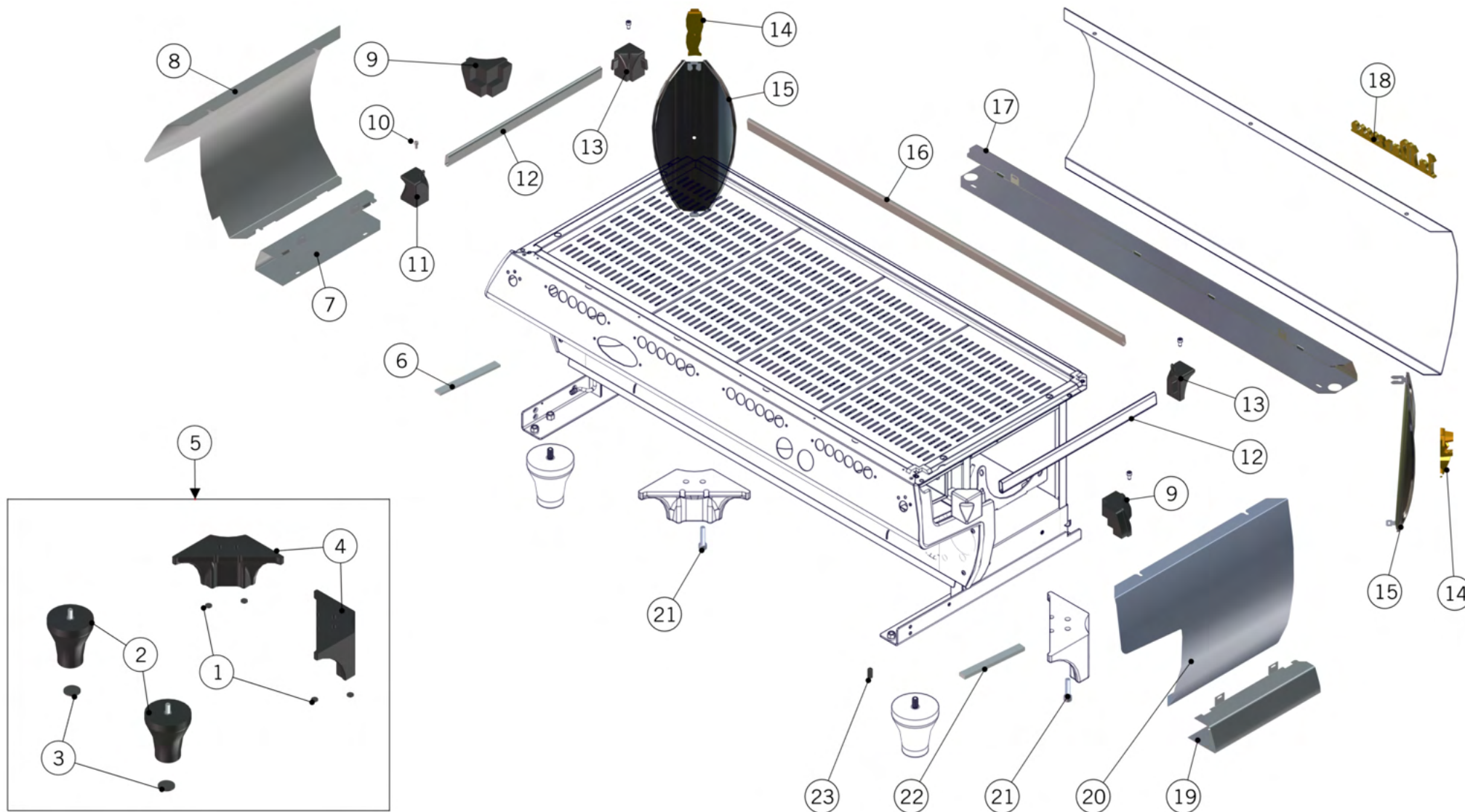
L1 (GB5)	mm	750	950	1190
	in	29,53	37,40	46,85
L2 (FB80)	mm	755	955	1195
	in	29,72	37,60	47,05
Machine weight GB5 - FB80	Kg	62 - 63	74 - 75	107 - 105
	lb	137 - 139	163 - 165	235,89 - 231,49
Shipping weight GB5 - FB80	Kg	86 - 88	109 - 111	129 - 127
	lb	190 - 194	240 - 245	284,4 - 280
Electrical Voltage	VAC	200VAC Single/Three Phase	200VAC Single/Three Phase	200VAC Single/Three Phase
		220VAC Single/Three Phase	220VAC Single/Three Phase	220VAC Single/Three Phase
		380VAC Three Phase	380VAC Three Phase	380VAC Three Phase
Coffee Boiler Wattage Low	W	1400 Watts	1600 Watts	2800 Watts
High	W	1400 Watts	1900 Watts	2800 Watts
Steam Boiler Wattage Low	W	2000 Watts	3000 Watts	3800 Watts
High	W	3000 Watts	4000 Watts	5000 Watts
Total Wattage	W	3600/4600 Watts	4800/6100 Watts	6800/8000 Watts
Required Available Amperage	A	25 amps (20 for Australia)	35 amps (32 for Australia)	45 amps (40 for Australia)
Coffee Boiler Capacity	liters	3,4	5,0	6,8
Steam Boiler Capacity (liters)	liters	7,0	11,0	15,0
Total Capacity (liters)	liters	10,4	16,0	21,8
Machine configuration		2GR	3GR	4GR



la marzocco

handmade in florence

BODY PANEL ASSEMBLY - GB5





la marzocco

handmade in florence

BODY PANEL ASSEMBLY - GB5

Carrozzeria

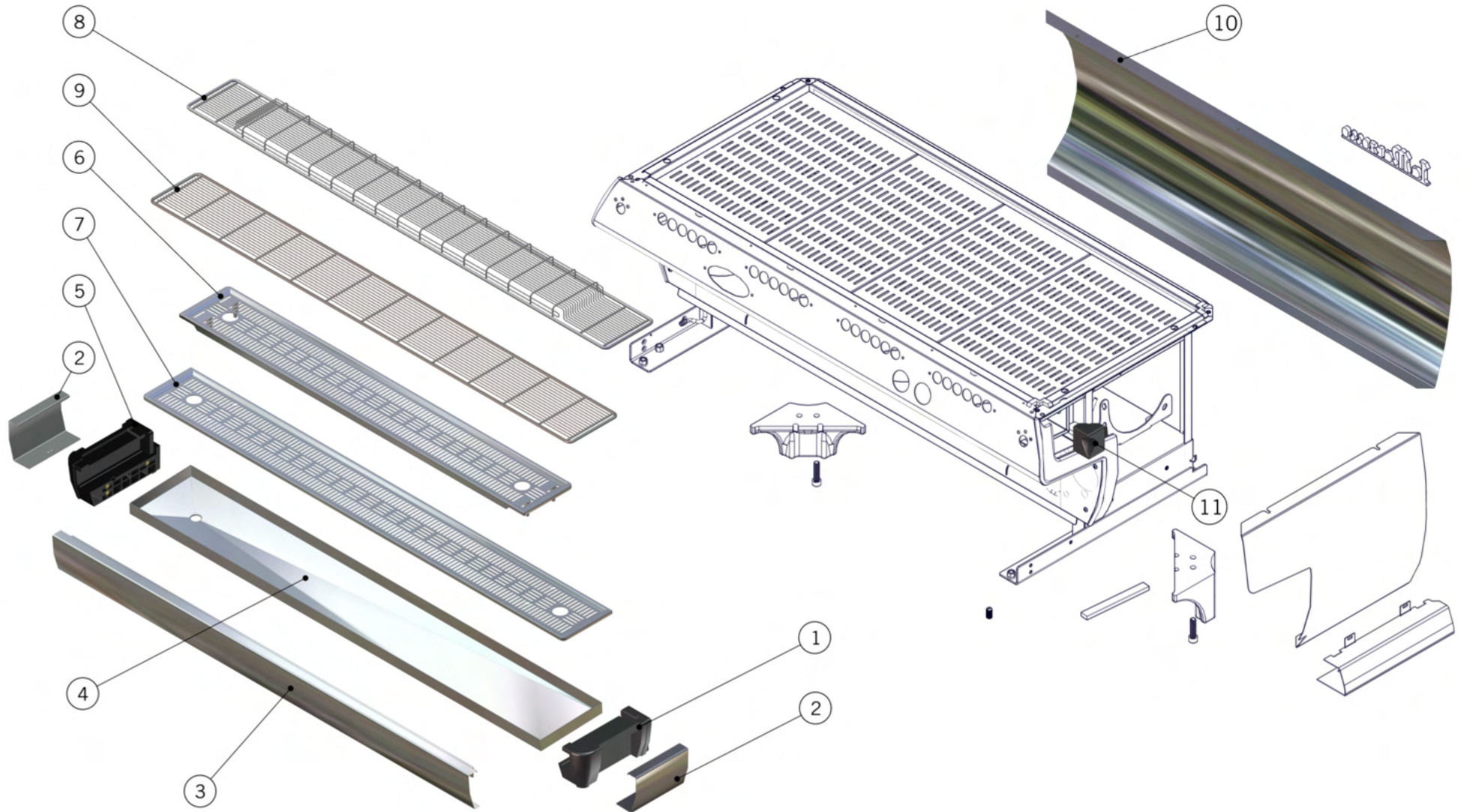
1	F.2.031	FRONT HIGH LEG RUBBER PAD GB5/FB80	GOMMINO GAMBE ALTE ANTERIORI GB5/FB80
2	C.2.006	FRONT HIGH LEG GB5 FB80	GAMBA ALTA ANTERIORE GB5 FB80
3	F.2.030	REAR HIGH LEG RUBBER PAD GB5/FB80	GOMMINO GAMBE ALTE POSTERIORI GB5/FB80
4	C.2.007	BACK HIGH LEG GB5 FB80	GAMBA ALTA POSTERIORE GB5 FB80
5	908	HIGH LEGS KIT FOR GB5 + RUBBER FEET	HIGH LEGS KIT FOR GB5 + RUBBER FEET
6	F.1.001	DRAIN TRAY LEFT GUIDE BLOCK	GUIDA PE SX PER BACINELLA
7	C.1.003	COVER FRAME LEFT LOWER GB5	CORNICE INFERIORE LATERALE SX GB5
8	C.1.013.01	PANEL LEFT SIDE GB5	FIANCATA SX GB5
	C.1.013.50	PANEL LEFT SIDE GB5 WHITE	FIANCATA SX GB5 BIANCO
	C.1.013.60	PANEL LEFT SIDE GB5 MATTE BLACK	FIANCATA SX GB5 NERO OPACO
9	C.2.005	GB5 LOWER BASE CORNER	ANGOLO CORNICE BASE GB5
10	I.1.007	SCREW M5X40 SOCKET CAP S/S A2	VITE M5X40 TC A BRUGOLA INOX A2
11	C.3.002.01	GB5 LEFT FRONT RAILING CORNER	ANGOLO SUPERIORE FRONTALE SX GB5
12	C.1.018	RAILING SIDE GB5	RINGHIERA LATERALE GB5
13	C.3.001.01	GB5 UPPER BACK CORNER	ANGOLO SUPERIORE POSTERIORE GB5
14	D.1.002	LION FOR GB5	LEONE PER GB5
15	C.1.016	GB5 POLISHED S/S SHIELD	SCUDO GB5 ACCIAIO LUCIDO
	C.1.016.50	GB5 WHITE SHIELD	SCUDO GB5 BIANCO
	C.1.016.60	GB5 SHIELD MATTE BLACK	SCUDO GB5 NERO OPACO
16	C.1.017.2	RAILING BACK GB5 2GR	RINGHIERA POSTERIORE GB5 2GR
	C.1.017.3	RAILING BACK GB5 3GR	RINGHIERA POSTERIORE GB5 3GR
	C.1.017.4	RAILING BACK GB5 4GR	RINGHIERA POSTERIORE GB5 4GR
17	C.1.002.2	COVER FRAME LOWER GB5 2GR	CORNICE INFERIORE GB5 2GR
	C.1.002.3	COVER FRAME LOWER GB5 3GR	CORNICE INFERIORE GB5 3GR
	C.1.002.4	COVER FRAME LOWER GB5 4GR	CORNICE INFERIORE GB5 4GR
18	D.1.001	LA MARZOCCO LOGO FOR GB5	LOGO LA MARZOCCO PER GB5
19	C.1.004	COVER FRAME RIGHT LOWER GB5	CORNICE INFERIORE LATO DX GB5
20	C.1.014.01	PANEL RIGHT SIDE GB5	FIANCATA DX GB5
	C.1.014.50	PANEL RIGHT SIDE WHITE GB5	FIANCATA DX GB5 BIANCO
	C.1.014.60	PANEL RIGHT SIDE GB5 MATTE BLACK	FIANCATA DX GB5 NERO OPACO
21	I.3.002	SCREW M10X40 SOCKET CAP GALVANIZED	VITE M10X40 TC A BRUGOLA ZINCATA
22	F.1.003	DRAIN TRAY RIGHT GUIDE BLOCK	GUIDA PE DX PER BACINELLA
23	I.1.079	M10 STEEL SPRING PLUNGER	PRESSORE ACCIAIO A SFERA M10
Item	Part number/Codice	Description	Descrizione



la marzocco

handmade in florence

BODY PANEL ASSEMBLY - GB5





la marzocco

handmade in florence

BODY PANEL ASSEMBLY - GB5

Carrozeria

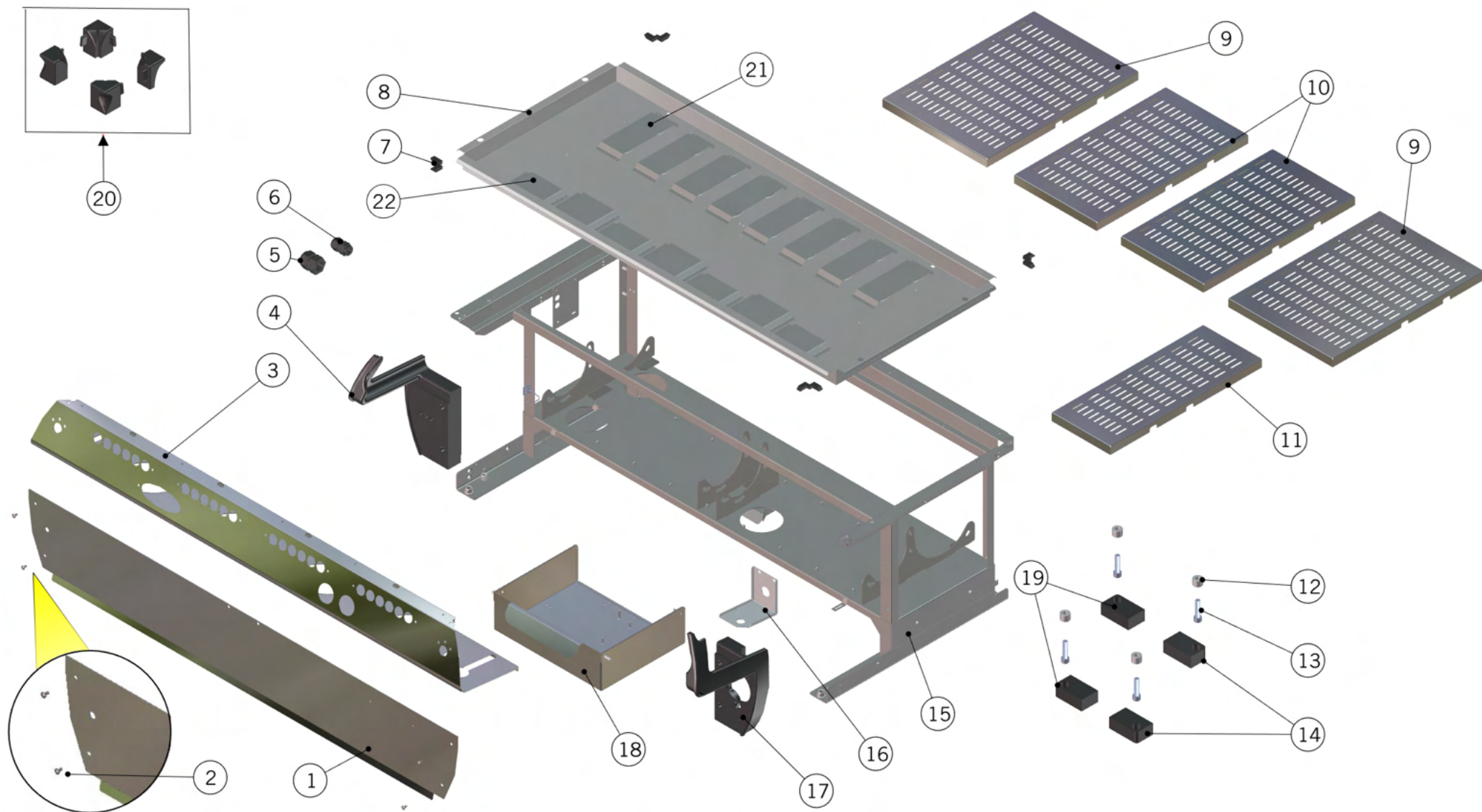
1	C.2.002	GB5 RIGHT DRAIN TRAY CORNER	ANGOLO VASCA DX GB5
2	C.1.021	COVER LOWER CORNER GB5	COPERTURA ANGOLO INFERIORE GB5
3	C.1.005.2	COVER DRAIN TRAY GB5 2GR	COPERTURA BACINELLA GB5 2GR
	C.1.005.3	COVER DRAIN TRAY GB5 3GR	COPERTURA BACINELLA GB5 3GR
	C.1.005.4	COVER DRAIN TRAY GB5 4GR	COPERTURA BACINELLA GB5 4GR
4	C.1.006.2	TRAY DRAIN GB5 2GR	BACINELLA GB5 2GR
	C.1.006.3	TRAY DRAIN GB5 3GR	BACINELLA GB5 3GR
	C.1.006.4	TRAY DRAIN GB5 4GR	BACINELLA GB5 4GR
5	C.2.001	GB5 LEFT DRAIN TRAY CORNER	ANGOLO VASCA SX GB5
6	C.1.012.2R	GRID DRAIN GB5 2GR W/STAND	GRIGLIA SCARICO GB5 2GR C/RIALZO
	C.1.012.3R	GRID DRAIN GB5 3GR W/STAND	GRIGLIA SCARICO GB5 3GR C/RIALZO
	C.1.012.4R	GRID DRAIN GB5 4GR W/STAND	GRIGLIA SCARICO GB5 4GR C/RIALZO
7	C.1.012.2	GRID DRAIN GB5 2GR	GRIGLIA SCARICO GB5 2GR
	C.1.012.3	GRID DRAIN GB5 3GR	GRIGLIA SCARICO GB5 3GR
	C.1.012.4	GRID DRAIN GB5 4GR	GRIGLIA SCARICO GB5 4GR
8	C.1.175.2	WIRE GRID LOW CUPS GB5 2GR	GRIGLIA A FILO C/RIALZO GB5 2GR
	C.1.175.3	WIRE GRID LOW CUPS GB5 3GR	GRIGLIA A FILO C/RIALZO GB5 3GR
	C.1.175.4	WIRE GRID LOW CUPS GB5 4GR	GRIGLIA A FILO C/RIALZO GB5 4GR
9	C.1.222.2	WIRE GRID HIGH CUPS GB5 2GR	GRIGLIA A FILO TAZZE ALTE GB5 2GR
	C.1.222.3	WIRE GRID HIGH CUPS GB5 3GR	GRIGLIA A FILO TAZZE ALTE GB5 3GR
	C.1.222.4	WIRE GRID HIGH CUPS GB5 4GR	GRIGLIA A FILO TAZZE ALTE GB5 4GR
10	C.1.015.2.01	PANEL BACK GB5 2GR	PANNELLO POSTERIORE GB5 2GR
	C.1.015.2.50	PANEL BACK GB5 2GR WHITE	PANNELLO POSTERIORE GB5 2GR BIANCO
	C.1.015.2.60	PANEL BACK GB5 2GR MATTE BLACK	PANNELLO POSTERIORE GB5 2GR NERO OPACO
	C.1.015.3.01	PANEL BACK GB5 3GR	PANNELLO POSTERIORE GB5 3GR
	C.1.015.3.50	PANEL BACK GB5 3GR WHITE	PANNELLO POSTERIORE GB5 3GR BIANCO
	C.1.015.3.60	PANEL BACK GB5 3GR MATTE BLACK	PANNELLO POSTERIORE GB5 3GR NERO OPACO
	C.1.015.4.01	PANEL BACK GB5 4GR	PANNELLO POSTERIORE GB5 4GR
	C.1.015.4.50	PANEL BACK GB5 4GR WHITE	PANNELLO POSTERIORE GB5 4GR BIANCO
	C.1.015.4.60	PANEL BACK GB5 4GR MATTE BLACK	PANNELLO POSTERIORE GB5 4GR NERO OPACO
11	C.3.003.01	GB5 RIGHT FRONT RAILING CORNER	ANGOLO SUPERIORE FRONTALE DX GB5
Item	Part number/Codice	Description	Descrizione



la marzocco

handmade in florence

BODY PANEL ASSEMBLY - GB5





la marzocco

handmade in florence

BODY PANEL ASSEMBLY - GB5

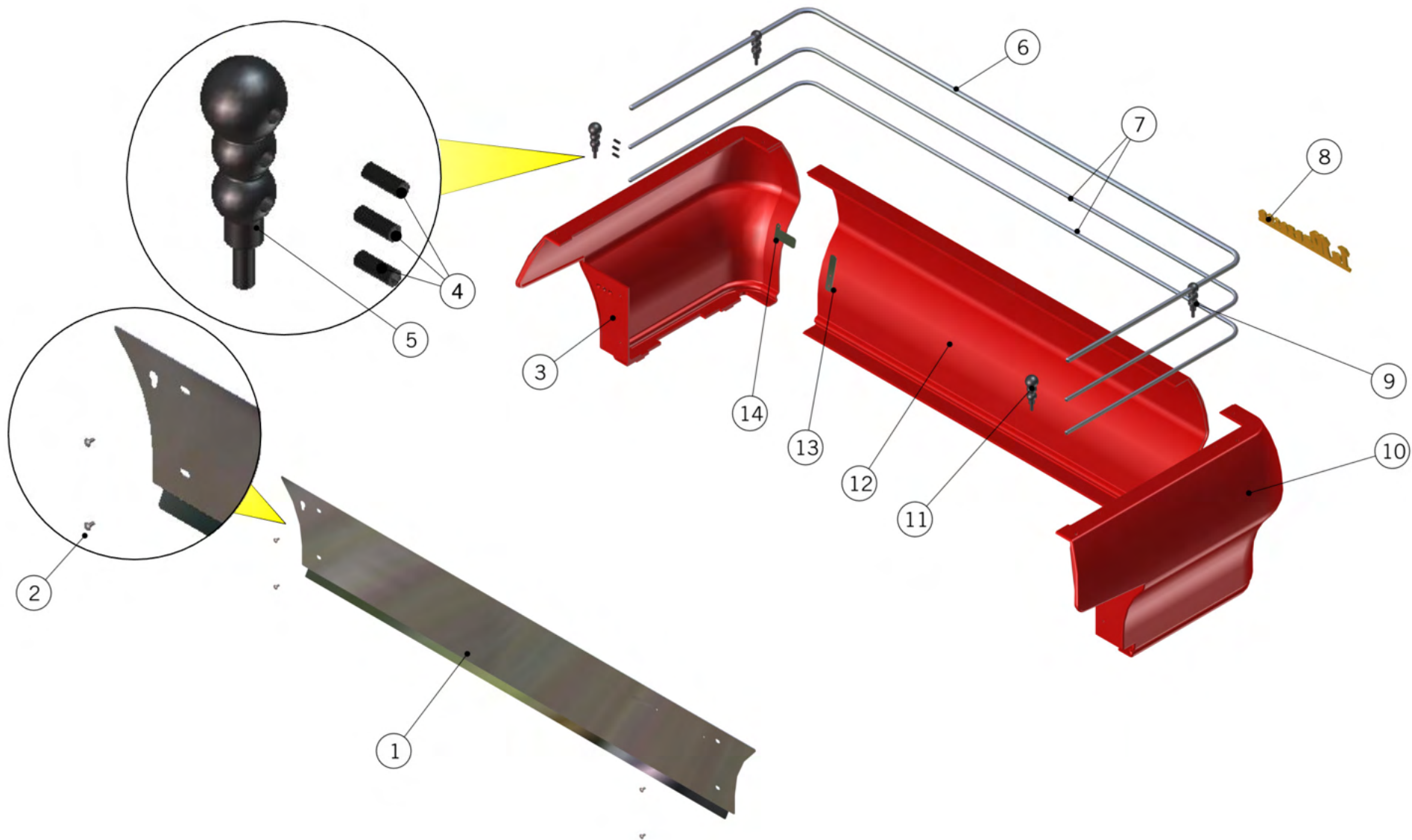
Carrozzeria

1	C.1.009.2	PANEL MAIN SWITCH GB5 2GR	PANN. INTERR. GENERALE GB5 2GR	
	C.1.009.3	PANEL MAIN SWITCH GB5 3GR	PANN. INTERR. GENERALE GB5 3GR	
	C.1.009.4	PANEL MAIN SWITCHGB5 4GR	PANN. INTERR. GENERALE GB5 4GR	
	2	I.1.042	SCREW M4X8 MUSHROOM SLOTTED HEAD S/S A2	VITE M4X8 TPB A TAGLIO INOX A2
	3	C.1.008.2	PANEL CONTROL GB5 2AV	PANNELLO DI COMANDO GB5 2AV
		C.1.008.3	PANEL CONTROL GB5 3AV	PANNELLO DI COMANDO GB5 3AV
		C.1.008.4	PANEL CONTROL GB5 4AV	PANNELLO DI COMANDO GB5 4AV
	4	C.2.003	GB5 CONTROL PANEL LEFT SUPPORT	SUPPORTO SX PANNELLO INTERRUPTORI GB5
	5	L322/G	CORD GRIPS PG21	PRESSACAVO PG21
	6	L322/P	CORD GRIPS PG13,5	PRESSACAVO PG13,5
	7	F.2.001	CUP-WARMER TRAY CORNER	ANGOLARE PER VASSOIO SCALD.
	8	C.1.011.2.02	TRAY CUPWARMER GB5 2GR W/PROTECTIONS	VASSOIO SCALDATAZZE GB5 2GR C/PROTEZIONE
		C.1.011.3.02	TRAY CUPWARMER GB5 3GR W/PROTECTIONS	VASSOIO SCALDATAZZE GB5 3GR C/PROTEZIONE
		C.1.011.4.02	TRAY CUPWARMER GB5 4GR W/PROTECTIONS	VASSOIO SCALDATAZZE GB5 4GR C/PROTEZIONE
	9	C.1.028	GRID CUPWARMER 286MM GB5	GRIGLIA SCALDATAZZE 286MM GB5
	10	C.1.029	GRID CUPWARMER 253MM GB5	GRIGLIA SCALDATAZZE 253MM GB5
	11	C.1.010	GRID CUPWARMER 199MM GB5	GRIGLIA SCALDATAZZE 199MM GB5
	12	F.1.005	PVC FOOT SUPPORTS DM.21 GB5	SUPPORTI PIEDINI PVC DM.21 GB5
	13	I.1.090	SCREW M10X20 SOCKET CAP S/S A2	VITE M10X20 TC A BRUGOLA INOX
	14	CL001.DX	RUBBER FOOT DX	ZOCCOLINO IN GOMMA DX
	15	C.1.001.2	BODY FRAME GB5 2GR	TELAIO GB5 2GR
		C.1.001.3	BODY FRAME GB5 3GR	TELAIO GB5 3GR
C.1.001.4		BODY FRAME GB5 4GR	TELAIO GB5 4GR	
16	C.1.007	BRACKET HOT WATER GB5	STAFFA ACQUA CALDA GB5	
17	C.2.004	GB5 CONTROL PANEL RIGHT SUPPORT	SUPPORTO DX PANNELLO INTERRUPTORI GB5	
18	C.1.020.01	ELECTRONIC BOX GB5	SCATOLA ELETTRONICA GB5	
19	CL001.SX	RUBBER FOOT SX	ZOCCOLINO IN GOMMA SX	
20	903	RAILING CORNER KIT GB5	KIT ANGOLARI GB5	
21	C.1.100.01	PROTECTION CUPWARMER HOLE 170 MM	PROTEZIONE FORO SCALDATAZZE 170 MM	
22	C.1.030.02	PROTECTION CUPWARMER HOLE 116MM	PROTEZIONE FORO SCALDATAZZE 116MM	
Item	Part number/Codice	Description	Descrizione	



la marzocco
handmade in florence

BODY PANEL ASSEMBLY - FB80





la marzocco

handmade in florence

BODY PANEL ASSEMBLY - FB80

Carrozzeria

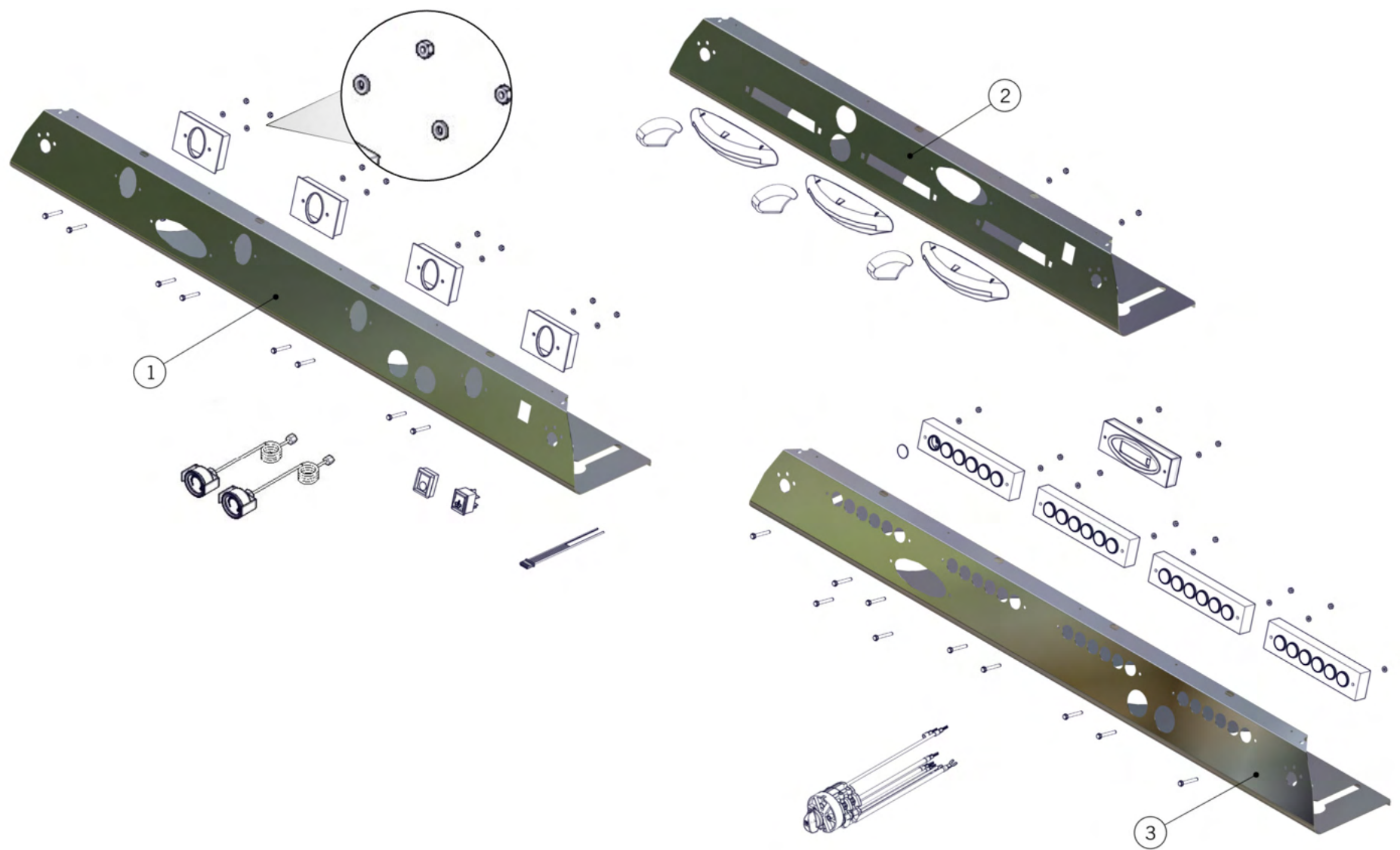
1	C.1.024.2.01	PANEL MAIN SWITCH FB80 2GR	PANN. INTERR.GEN. FB80 2GR
	C.1.024.3.01	PANEL MAIN SWITCH FB80 3GR	PANN. INTERR.GEN. FB80 3GR
	C.1.024.4.01	PANEL MAIN SWITCH FB80 4GR	PANN. INTERR.GEN. FB80 4GR
2	I.1.020	SCREW M6X10 MUSHROOM SLOTTED HEAD S/S A2	VITE M6X10 TPB A TAGLIO INOX A2
3	C.2.011	FB80 LEFT SIDE PANEL RED	FIANCO SX FB80 ROSSO
4	I.1.016	SOCKET GRUB SCREW M5X5 S/S A2	GRANO M5X5 A BRUGOLA INOX A2
5	C.4.001.SX	FB80 LEFT UPPER FRONT CORNER	ANGOLO SUPERIORE FRONTALE SX FB80
6	C.1.023.2	RAILING D10 FB80 2GR	RINGHIERA D10 FB80 2GR
	C.1.023.3	RAILING D10 FB80 3GR	RINGHIERA D10 FB80 3GR
	C.1.023.4	RAILING D10 FB80 4GR	RINGHIERA D10 FB80 4GR
7	C.1.022.2	RAILING D8 FB80 2GR	RINGHIERA D8 FB80 2GR
	C.1.022.3	RAILING D8 FB80 3GR	RINGHIERA D8 FB80 3GR
	C.1.022.4	RAILING D8 FB80 4GR	RINGHIERA D8 FB80 4GR
8	D.1.001	LA MARZOCCO LOGO FOR GB5	LOGO LA MARZOCCO PER GB5
9	C.4.002	FB80 UPPER BACK CORNER	ANGOLO SUPERIORE POSTERIORE FB80
10	C.2.012	PANEL RIGHT SIDE FB80 RED	FIANCATA DX FB80 ROSSO
11	C.4.001.DX	FB80 RIGHT UPPER FRONT CORNER	ANGOLO SUPERIORE FRONTALE DX FB80
12	C.2.013.2	PANEL BACK FB80 2GR RED	PANN. POSTERIORE FB80 2GR ROSSO
	C.2.013.3	PANEL BACK FB80 3GR RED	PANN. POSTERIORE FB80 3GR ROSSO
	C.2.013.4	PANEL BACK FB80 4GR RED	PANN. POSTERIORE FB80 4GR ROSSO
13	C.1.034	PLATE FOR PANEL FB80	PIASTRINA PER PANNELLO FB80
14	C.1.035	PLATE FOR CORNER FB80	PIASTRINA PER ANGOLARE FB80
Item	Part number/Codice	Description	Descrizione



la marzocco

handmade in florence

CONTROL PANEL ASSEMBLY - AV EE MP





la marzocco

handmade in florence

CONTROL PANEL ASSEMBLY - AV EE MP

Pannello di Controllo

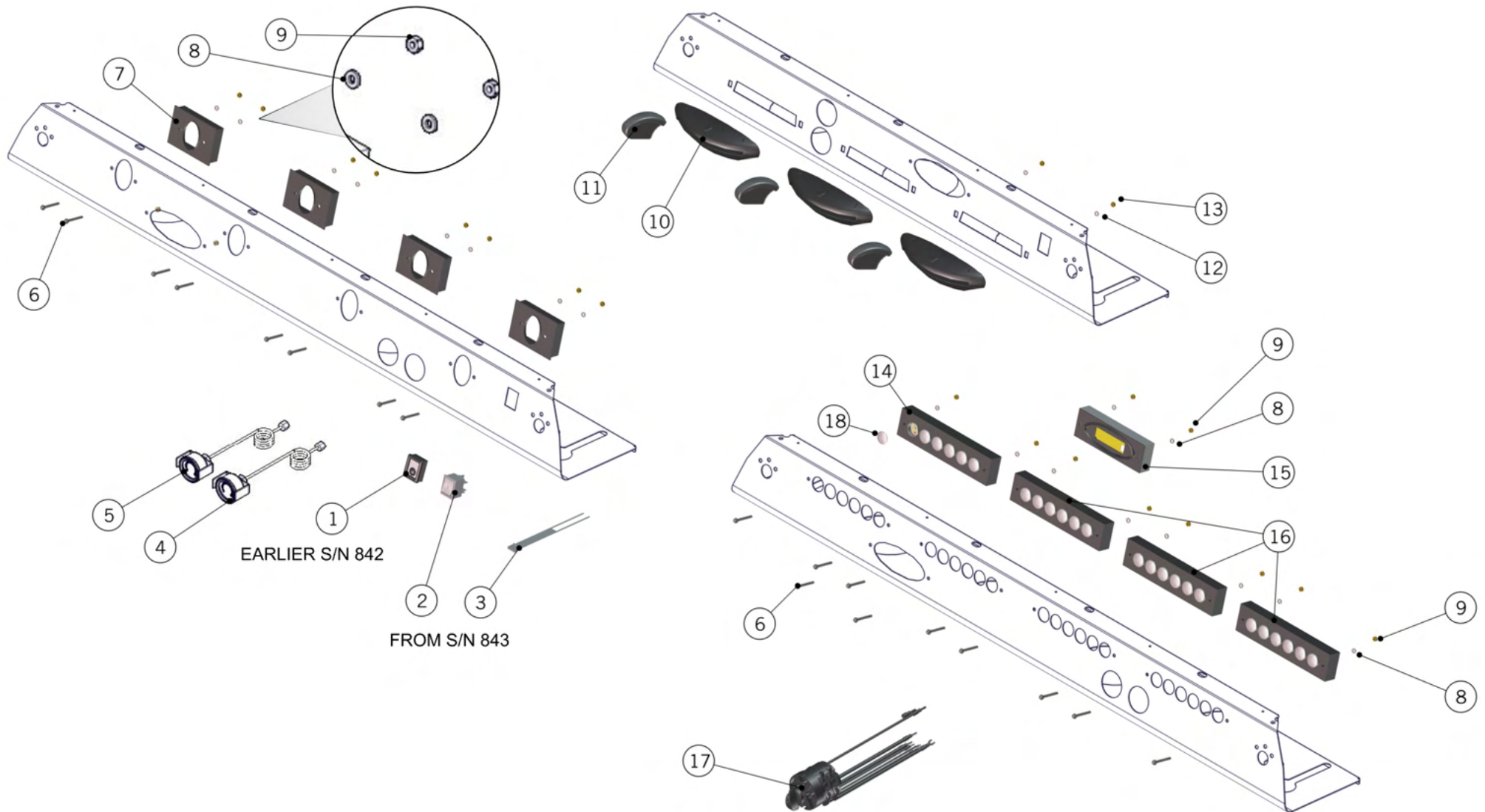
1	C.1.019.2	PANEL CONTROL GB5 2EE	PANNELLO DI COMANDO GB5 2EE
	C.1.019.2.L	PANEL CONTROL GB5 2EE W/LIGHTS	PANNELLO DI COMANDO GB5 2EE C/LUCI
	C.1.019.3	PANEL CONTROL GB5 3EE	PANNELLO DI COMANDO GB5 3EE
	C.1.019.3.L	PANEL CONTROL GB5 3EE W/LIGHTS	PANNELLO DI COMANDO GB5 3EE C/LUCI
	C.1.019.4	PANEL CONTROL GB5 4EE	PANNELLO DI COMANDO GB5 4EE
	C.1.019.4.L	PANEL CONTROL GB5 4EE W/LIGHTS	PANNELLO DI COMANDO GB5 4EE C/LUCI
2	C.1.025.2.01	PANEL CONTROL GB5 2MP	PANNELLO DI COMANDO GB5 2MP
	C.1.025.3.01	PANEL CONTROL GB5 3MP	PANNELLO DI COMANDO GB5 3MP
	C.1.025.4.01	PANEL CONTROL GB5 4MP	PANNELLO DI COMANDO GB5 4MP
3	C.1.008.2	PANEL CONTROL GB5 2AV	PANNELLO DI COMANDO GB5 2AV
	C.1.008.2.L	PANEL CONTROL GB5 2AV W/LIGHTS	PANNELLO DI COMANDO GB5 2AV C/LUCI
	C.1.008.3	PANEL CONTROL GB5 3AV	PANNELLO DI COMANDO GB5 3AV
	C.1.008.3.L	PANEL CONTROL GB5 3AV W/LIGHTS	PANNELLO DI COMANDO GB5 3AV C/LUCI
	C.1.008.4	PANEL CONTROL GB5 4AV	PANNELLO DI COMANDO GB5 4AV
	C.1.008.4.L	PANEL CONTROL GB5 4AV W/LIGHTS	PANNELLO DI COMANDO GB5 4AV C/LUCI
Item	Part number/Codice	Description	Descrizione



la marzocco

handmade in florence

CONTROL PANEL ASSEMBLY - AV EE MP





la marzocco

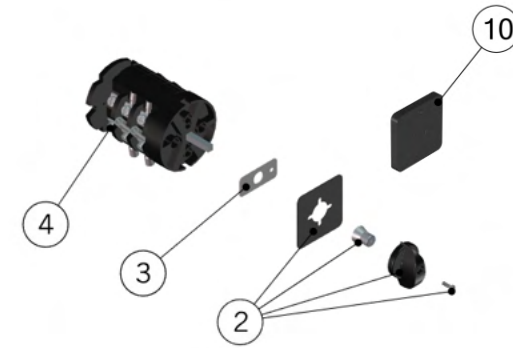
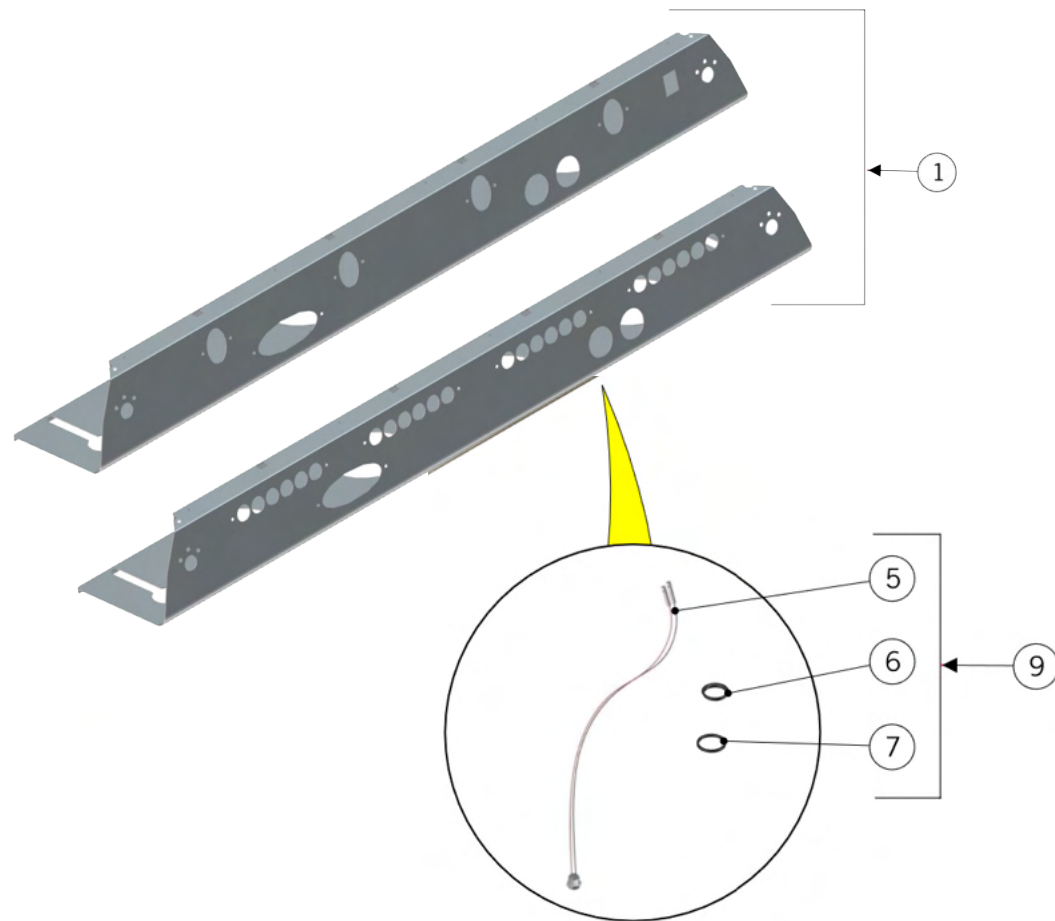
handmade in florence

CONTROL PANEL ASSEMBLY - AV EE MP

Pannello di Controllo

1	E.1.008	GB/5 HOT WATER SWITCH	PULSANTE GB/5 ACQUA CALDA
2	L286/1	WHITE PUSH BUTTON WITH STEAM	PULSANTE TASTO BIANCO VAP.NERO
3	E.4.011.1	TEA CABLE EXTENSION	PROLUNGA CAVO TE'
4	E.3.001.02	PRESSURE GAUGE 0-18 W/CAPILLARY WELDED	MANOMETRO 0-18 C/CAPILLARE SALDATO
5	E.3.002.01	PRESSURE GAUGE 0-3 W/CAPILLARY WELDED	MANOMETRO 0-3 C/CAPILLARE SALDATO
6	I.2.001.01	KEYPAD SCREW	VITI FISSAGGIO PULSANTIERA C/ESAGONO
7	E.1.007	GB5 EE BUTTON	PULSANTE GB5 EE
8	ROND_DENT_4	TOOTH LOCK WASHER 4X8X1 GALVANIZED	ROND.DENTATA 4X8X1 ZINCATA
9	DADO4M	NUT M4 H3 WR7 BRASS	DADO M4 H3 CH7 OTTONE
10	C.2.031	BAKELITE FRAME FOR GB/5 PADDLE	MOSTRINA PADDLE GB/5 BAKELITE
11	C.2.030	GB/5 BAKELITE PADDLE HANDLE	MANIGLIA PADDLE GB/5 BAKELITE
12	I.1.004	SCREW M3X8 SOCKET COUNTERSUNK S/S A2	VITE M3X8 TS A BRUGOLA INOX A2
13	DADO3AUTOBL	SELF LOCK NUT M3 H4 WR5,5 GALVANIZED	DADO AUTOBL. M3 H4 CH5,5 ZINCATO
14	E.1.002	PROG KEYPAD GB/5	PULSANTIERA PROGR. GB/5 ON OFF
15	E.1.004	DISPLAY LCD GREEN GB5 W/BOX	DISPLAY LCD VERDE GB5 C/SCATOLA
16	E.1.003	STANDARD KEYPAD GB/5	PULSANTIERA GB/5 THE
17	E.2.001.03	SWITCH DOUBLE-POLE 40A W/WIRES	INTERRUTTORE BIPOLARE 40A C/CAVI
	E.2.002.03	SWITCH TRIPLE-POLE 20A W/WIRES	INTERRUTTORE TRIPOLARE 20A C/CAVI
	E.2.069	SWITCH TRIPLE-POLE 32A W/WIRES	INTERRUTTORE TRIPOLARE 32A C/CAVI
18	F.1.045	GB5 KEY BOTTOM COVER	COPRITASTO AD INCASTRO PULSANTIERA GB5
Item	Part number/Codice	Description	Descrizione

CONTROL PANEL ASSEMBLY - BARISTA LIGHTS





la marzocco

handmade in florence

CONTROL PANEL ASSEMBLY - BARISTA LIGHTS

Pannello di Controllo

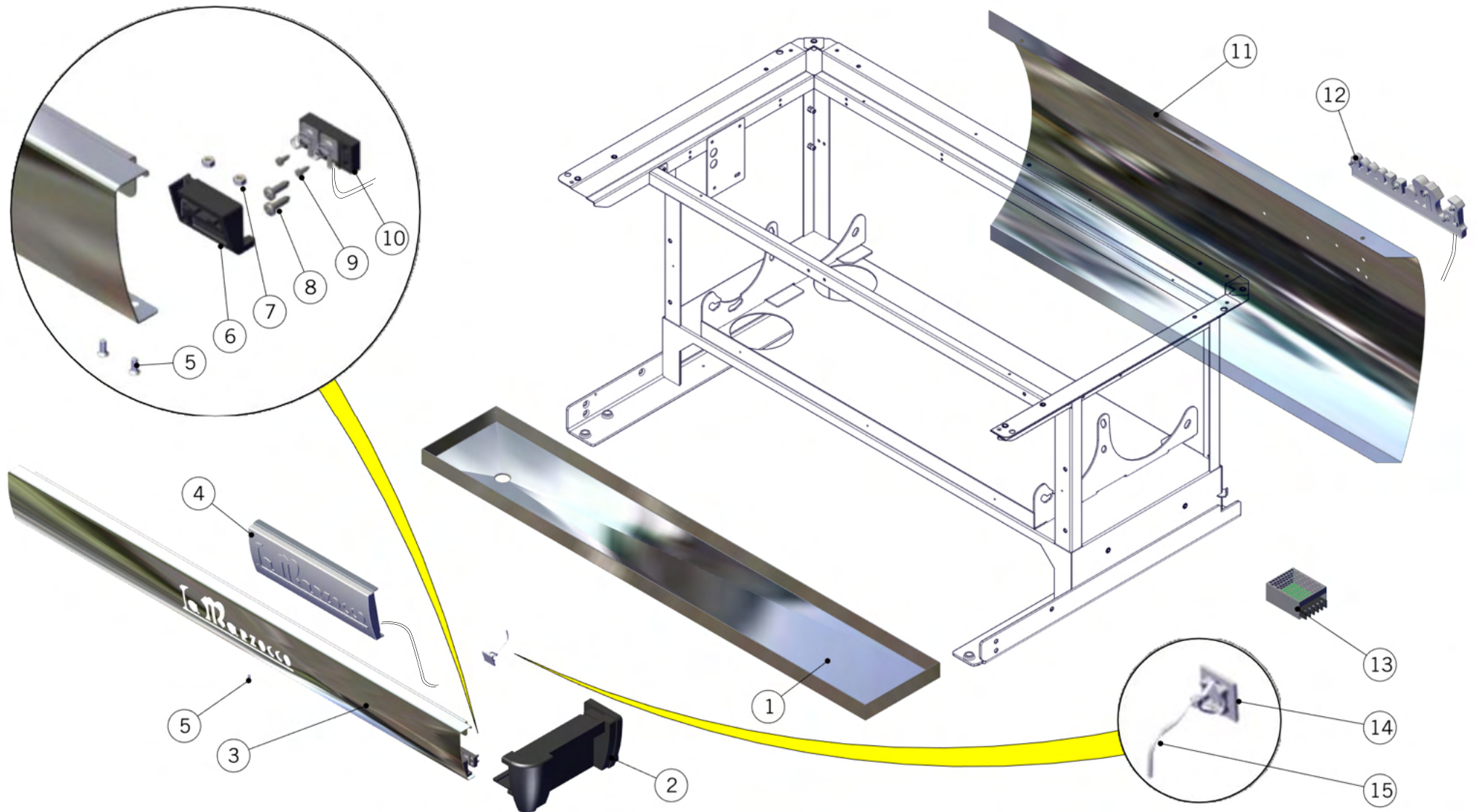
1	C.1.008.2.L	PANEL CONTROL GB5 2AV W/LIGHTS	PANNELLO DI COMANDO GB5 2AV C/LUCI
	C.1.008.3.L	PANEL CONTROL GB5 3AV W/LIGHTS	PANNELLO DI COMANDO GB5 3AV C/LUCI
	C.1.008.4.L	PANEL CONTROL GB5 4AV W/LIGHTS	PANNELLO DI COMANDO GB5 4AV C/LUCI
	C.1.019.2.L	PANEL CONTROL GB5 2EE W/LIGHTS	PANNELLO DI COMANDO GB5 2EE C/LUCI
	C.1.019.3.L	PANEL CONTROL GB5 3EE W/LIGHTS	PANNELLO DI COMANDO GB5 3EE C/LUCI
	C.1.019.4.L	PANEL CONTROL GB5 4EE W/LIGHTS	PANNELLO DI COMANDO GB5 4EE C/LUCI
2	F.1.060	KNOB+LABEL FORL400/32/4.01-L400/17/12.01	MANOPOLA+ET. L400/32/4.01-L400/17/12.01
3	C.1.162	LINEA PB SWITCH METAL PLATE	PIASTRINA INTERR. LINEA PB
4	E.2.001.03	SWITCH DOUBLE-POLE 40A W/WIRES	INTERRUTTORE BIPOLARE 40A C/CAVI
	E.2.002.03	SWITCH TRIPLE-POLE 20A W/WIRES	INTERRUTTORE TRIPOLARE 20A C/CAVI
5	E.4.023.02.R	WHITE LED 16MM W/CONNECTOR + KIT WASHER	LED 16MM BIANCO C/CONNETTORE + KIT ROND.
6	F.1.049	PVC LED LIGHT FERRULE	BOCCOLA LUCI LED
7	F.1.050	PVC LED LIGHT WASHER	RONDELLA LUCI LED
8	E.4.024.01.R	KIT BARISTA LIGHTS POWER SUPPLY W/WIRING	KIT ALIMENTATORE LUCI BARISTA C/CAVI
9	E.4.023.01.R	WHITE LED 16 MM LXML-PWC2 CABLED	LED 16MM BIANCO LXML-PWC2 boccola+rond.
10	D.2.009	0-1 SWITCH LABEL	TARGHETTA 0-1
Item	Part number/Codice	Description	Descrizione



la marzocco

handmade in florence

CONTROL PANEL ASSEMBLY - LOGO LIGHTS





la marzocco

handmade in florence

CONTROL PANEL ASSEMBLY - LOGO LIGHTS

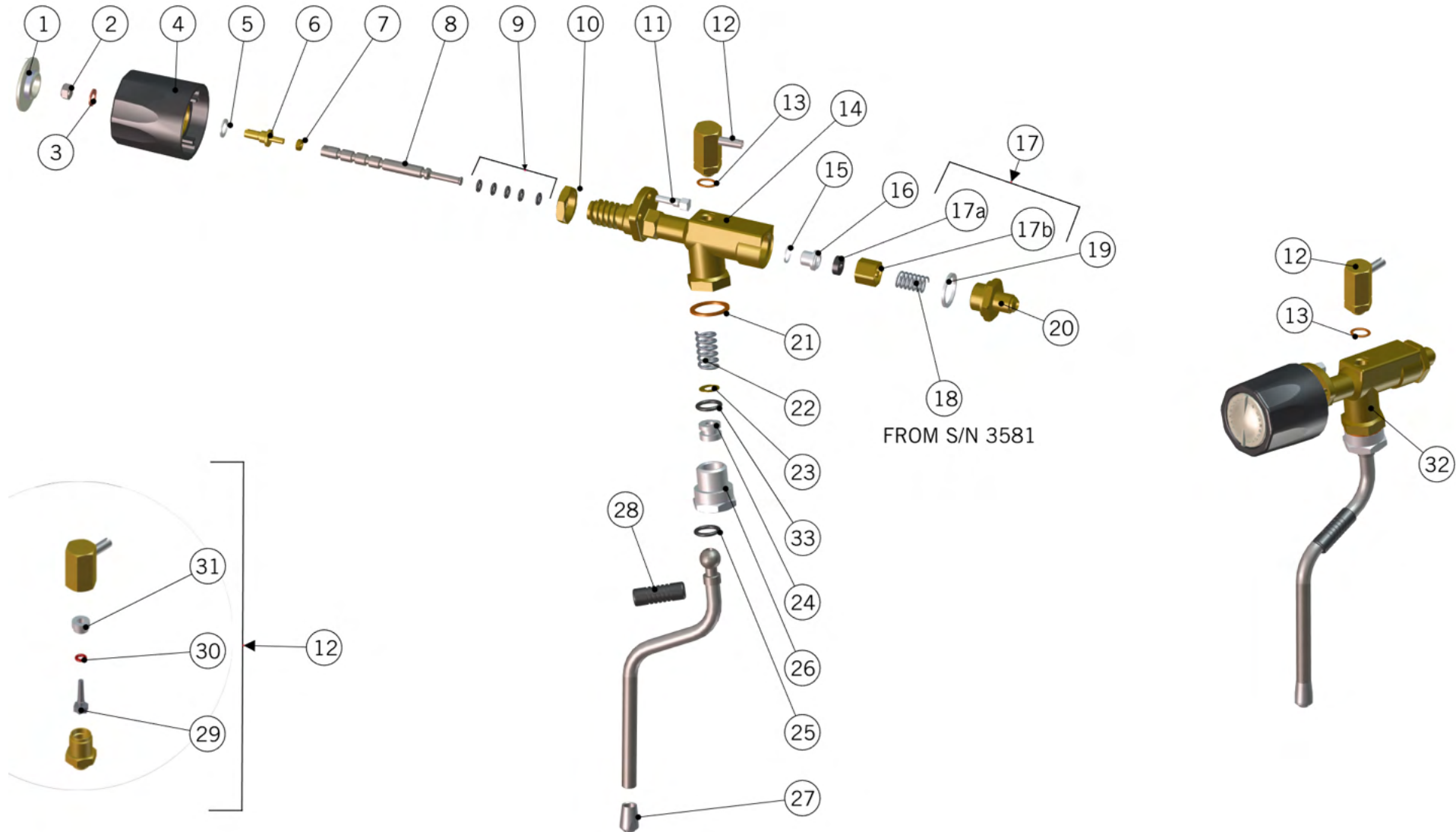
Pannello di Controllo

1	C.1.213.2	TRAY DRAIN GB5 2GR LIGHTED LOGO	BACINELLA GB5 2GR LOGO LUMINOSO
	C.1.213.3	TRAY DRAIN GB5 3GR LIGHTED LOGO	BACINELLA GB5 3GR LOGO LUMINOSO
	C.1.213.4	TRAY DRAIN GB5 4GR LIGHTED LOGO	BACINELLA GB5 4GR LOGO LUMINOSO
2	C.2.002.L	GB5 RIGHT DRAIN TRAY CORNER LIT LOGO	ANGOLO VASCA DX GB5 LOGO LUMINOSO
3	C.1.330.2	2GR DRAIN TRAY FRONT COVER W/CUT LOGO	FRONTALE BACINELLA 2GR C/LOGO TRAFORATO
	C.1.330.3	3GR DRAIN TRAY FRONT COVER W/CUT LOGO	FRONTALE BACINELLA 3GR C/LOGO TRAFORATO
	C.1.330.4	4GR DRAIN TRAY FRONT COVER W/CUT LOGO	FRONTALE BACINELLA 4GR C/LOGO TRAFORATO
4	D.6.002	LIT LOGO DRIP TRAY COVER GB5/FB80	LOGO LUMINOSO BACINELLA GB5/FB80
5	I.1.004	SCREW M3X8 SOCKET COUNTERSUNK S/S A2	VITE M3X8 TS A BRUGOLA INOX A2
6	F.1.073	SUPPORTO CONTATTI A BOTTONE	SUPPORTO CONTATTI A BOTTONE
7	DADOINOXM3	NUT M3 H2 WR5,5 S/S A2	DADO M3 H2 CH5,5 INOX A2
8	I.1.062	SELFTAP. SCREW 3,5X13 PHIL.ROUND-PAN S/S	VITEAUT. 3,5X13 TCB A CROCE INOX A2
9	I.1.086	SCREW 2.2X6.5 INOX	VITE AUTOFILETTANTE 2.2X6.5 INOX
10	F.1.074	SUPPORTO CONTATTI CON MOLLA	SUPPORTO CONTATTI CON MOLLA
11	C.1.015.2.01	PANEL BACK GB5 2GR	PANNELLO POSTERIORE GB5 2GR
	C.1.015.3.01	PANEL BACK GB5 3GR	PANNELLO POSTERIORE GB5 3GR
	C.1.015.4.01	PANEL BACK GB5 4GR	PANNELLO POSTERIORE GB5 4GR
12	D.6.001	BACKLIT LA MARZOCCO LOGO GB5/FB80	LOGO LAMARZOCCO RETROILLUMINATO GB5/FB80
13	E.2.045	POWER SUPPLY 12VDC 1,3A LOGO LEDS	ALIMENTATORE 12VDC 1,3A LUCI LOGO
14	5.V010	FASTENER ADHESIVE SUPPORT	INCOLLINO
15	L338/L100	PLASTIC FASTENER 100X2.5	FASCETTA FERMAFILO 98X2.5
Item	Part number/Codice	Description	Descrizione



la marzocco
handmade in florence

STEAM WAND ASSEMBLY





la marzocco

handmade in florence

STEAM WAND ASSEMBLY

Lancia - Rubinetto Vapore

1	F.1.007	KNOB COVER GB5 KNOB	TAPPO MANOPOLA VAPORE GB5
2	I.1.046	S. LOCK NUT M6 H5 WR10 S/S A2	DADO AUTOBL. M6 H5 CH10 INOX A2
3	L120/2A	WASHER 6,3X12X1 COPPER	RONDELLA 6,3X12X1 RAME
4	F.1.006.01	STEAM VALVE KNOB GB5 NEW VERSION	MANOPOLA RUBINETTO VAPORE GB5 NUOVA
5	F.1.033	PTFE WASHER D13mm	RONDELLA TEFLON DIA 13 X RUB VAP
6	A.1.022	STEAM VALVE SHAFT EXTENSION	PROLUNGA ASTA RUBINETTO VAPORE
7	DADO4M	NUT M4 H3 WR7 BRASS	DADO M4 H3 CH7 OTTONE
8	A.1.002.01	GB5 STEAM VALVE SHAFT D8 W/M4 HOLE	ASTA D8 C/FORO M4 RUBINETTO VAPORE GB5
9	H.1.005	ORING 2-009 VITON	OR VITON PER ASTA RUB. VAP.
10	L037/D	NUT G1/2 H6 WR24 BRASS	DADO G1/2 H6 CH24 OTTONE
11	I.1.015	SCREW M6X18 HEX HEAD S/S A2	VITE M6X18 TE INOX A2
12	L192.02	ANTI-SUCTION VALVE RP	VALVOLA ANTI-DEPRESSIONE X RUBINETTO RP
13	L100/D	WASHER 10X14X1,5 COPPER	RONDELLA 10X14X1,5 RAME
14	A.1.001.R	STEAM VALVE BODY TREATED	CORPO RUBINETTO VAPORE GB5 TRATTATO
15	F.4.001	TEFLON GASKET 12X9.8X1	GUARNIZIONE TEFLON 12X9.8X1
16	F.3.007	S/S STEAM VALVE SEAT	SEDE AISI 316 PER RUB. GB/5
17	B.2.010	STEAM VALVE SEAL ASSEMBLY	VALVOLA ES16 RUB VAP MISTRAL
17a	H.2.001	EPDM STEAM VALVE SEAL GASKET	GUARNIZ. TENUTA RUB. VAP. GB/5
17b	A.1.004.01	STEAM VALVE SEAL HOLDER TREATED	RACC. GUARN. TENUTA C/TRATT. RUVECO PLUS
18	F.3.005.01	SPRING COMPRESSION 1,2X11,7X29,5 S/S	MOLLA A COMPRESSIONE 1,2X11,7X29,5 INOX
19	H.2.002	PTFE GASKET 24X19X2mm	GUARNIZIONE PTFE 24X19X2mm
20	A.1.003.01	GB5 STEAM VALVE INLET FITTING TREATED	RACCORDO INGRESSO RUB. VAP. GB5 TRATTATO
21	L260/1A	WASHER 21X27X1,5 COPPER	RONDELLA 21X27X1,5 RAME
22	F.3.004	SPRING COMPRESSION 2X14,6X26,5 S/S	MOLLA A COMPRESSIONE 2X14,6X25 INOX
23	I.4.001	BRASS WHASHER 14x7x0.5	RONDELLA OTTONE 14x7x0.5
24	H.2.003	PTFE STEAM WAND SEAL	GUARN. PTFE PER SNODO TUBO VAP
Item	Part number/Codice	Description	Descrizione



la marzocco

handmade in florence

STEAM WAND ASSEMBLY

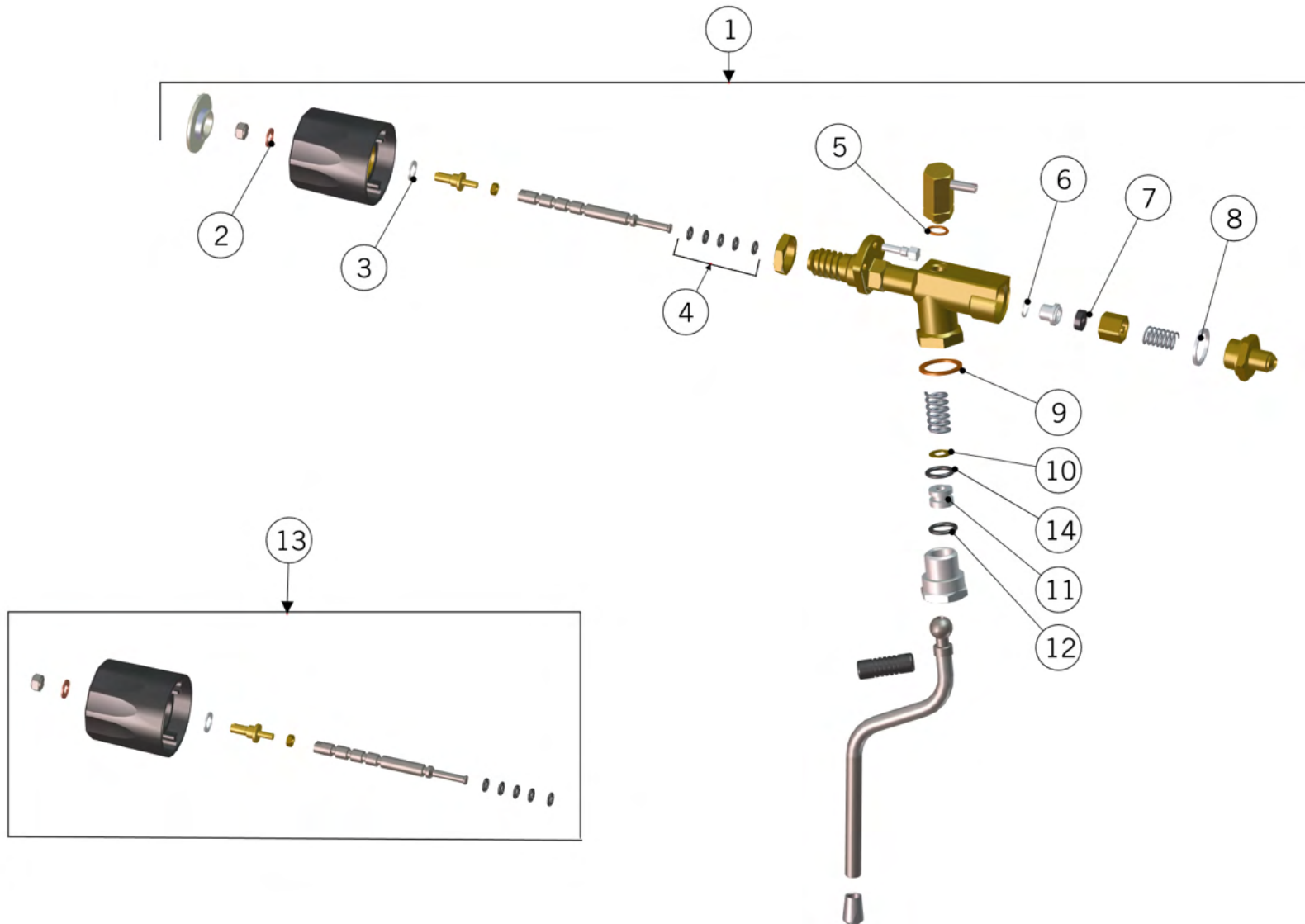
Lancia - Rubinetto Vapore	25	H.1.003	O-RING 117 2,62x13,1 VITON 85 ShA	OR 2.62x13.1VITON PER TUBO VAP
	26	A.1.005	STEAM WAND ADAPTOR	RACC. 1/2 PER TUBO VAP GB/5
	27	L173	STEAM TIP 4 HOLES D1,5 S/S	SPRUZZATORE VAPORE 4 FORI D1,5 INOX
		L173TF	PORTAFLON-COATED STEAM WAND TIP	SPRUZZATORE INOX X TUBO VAPORE
	28	L171/G	STEAM WAND RUBBER	GOMMINO ANTISCOTTAT. TUBO VAP.
	29	B.2.013.01	ANTI-SUCTION VALVE SHAFT TREATED	ALBERINO V. ANTIRISUCCHIO TRATTATA
	30	F.2.019	O-RING 102 SILICONE 70SH ANTI-SUCTION V.	O-RING 102 SILICONE 70SH V.ANTIRISUCCHIO
	31	B.3.001	PTFE ANTI-SUCTION VALVE SEAL	PASTIGLIA TEFLON X VALV. ANTI
	32	B.1.001..02.R	INCLINED STEAM VALVE COMPLETE (PROD.CODE	RUBINETTO VAPORE C/RUVECO PLUs
	33	H.1.004	O-RING 10,77X2,62 EPDM 85 SHA	O-RING 10.77X2.62 EPDM 85 SHA
Item	Part number/Codice		Description	Descrizione



la marzocco

handmade in florence

STEAM WAND ASSEMBLY





la marzocco

handmade in florence

STEAM WAND ASSEMBLY

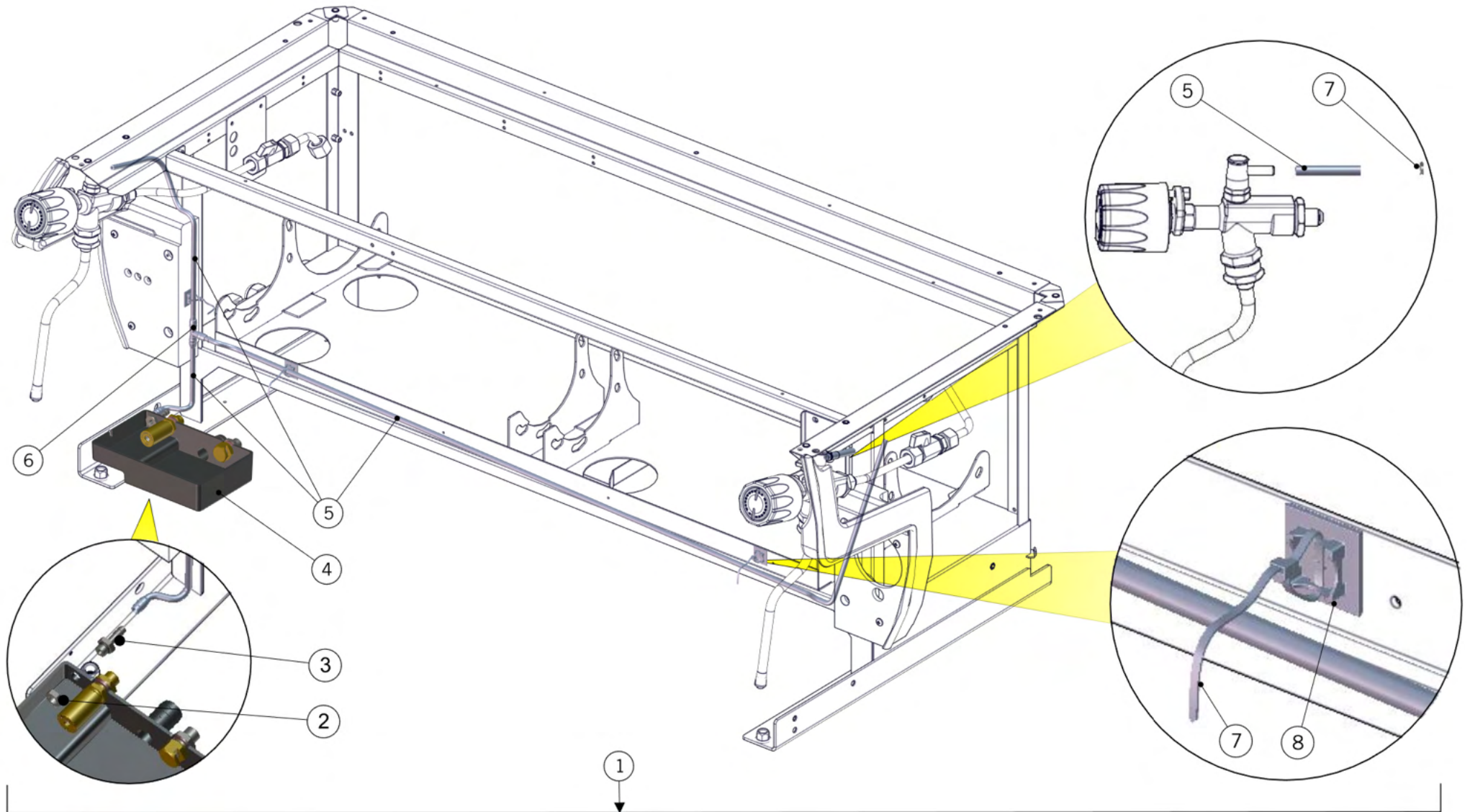
Lancia - Rubinetto Vapore	1	B.1.001.02.K2	REBUILD KIT FOR GB5 STEAM VALVE	KIT MANUTENZIONE NUOVO RUB VAPORE
	2	L120/2A	WASHER 6,3X12X1 COPPER	RONDELLA 6,3X12X1 RAME
	3	F.1.033	PTFE WASHER D13mm	RONDELLA TEFLON DIA 13 X RUB VAP
	4	H.1.005	ORING 2-009 VITON	OR VITON PER ASTA RUB. VAP.
	5	L100/D	WASHER 10X14X1,5 COPPER	RONDELLA 10X14X1,5 RAME
	6	F.4.001	TEFLON GASKET 12X9.8X1	GUARNIZIONE TEFLON 12X9.8X1
	7	H.2.001	EPDM STEAM VALVE SEAL GASKET	GUARNIZ. TENUTA RUB. VAP. GB/5
	8	H.2.002	PTFE GASKET 24X19X2mm	GUARNIZIONE PTFE 24X19X2mm
	9	L260/1A	WASHER 21X27X1,5 COPPER	RONDELLA 21X27X1,5 RAME
	10	I.4.001	BRASS WHASHER 14x7x0.5	RONDELLA OTTONE 14x7x0.5
	11	H.2.003	PTFE STEAM WAND SEAL	GUARN. PTFE PER SNODO TUBO VAP
	12	H.1.003	O-RING 117 2,62x13,1 VITON 85 ShA	OR 2.62x13.1VITON PER TUBO VAP
	13	B.1.001.02.K	RETROFIT KIT FOR GB5 STEAM VALVE .02	KIT RICAMBI RETROFIT COMPL RUB VAP .02
	14	H.1.004	O-RING 10,77X2,62 EPDM 85 SHA	O-RING 10.77X2.62 EPDM 85 SHA
	Item	Part number/Codice		Description



la marzocco

handmade in florence

ANTI-SUCTION STEAM VALVE KIT





la marzocco

handmade in florence

ANTI-SUCTION STEAM VALVE KIT

Kit Antirisucchio Rubinetto Vapore	1	B.1.001.X	COMPLETE KIT FOR GB5-FB80 MACHINES	KIT COMPLETO ANTIRISUCCHIO
	2	L292/R	NUT G1/8 H4,5 WR14 BRASS NICKEL PLATED	DADO G1/8 H4,5 CH14 OT.NICH.(PORTAGOMMA)
	3	L292	GS/3 TUBE FITTING	PORTAGOMMA GS/3
	4	F.1.002.03	GB5 DRAIN BOX	POZZETTO DI SCARICO GB5
	5	T.4.001	ANTISUCTION VALVE SILICONE TUBE	TUBO SILICONE 5X8 V. ANTIRISUCCHIO
	6	A.7.001.01	T FITTING FOR SILICONE TUBE	PORTAGOMMA A T PER TUBO SILICONE
	7	L338/L100	PLASTIC FASTENER 100X2.5	FASCETTA FERMAFILO 98X2.5
	8	5.V010	FASTENER ADHESIVE SUPPORT	INCOLLINO
	Item	Part number/Codice		Description

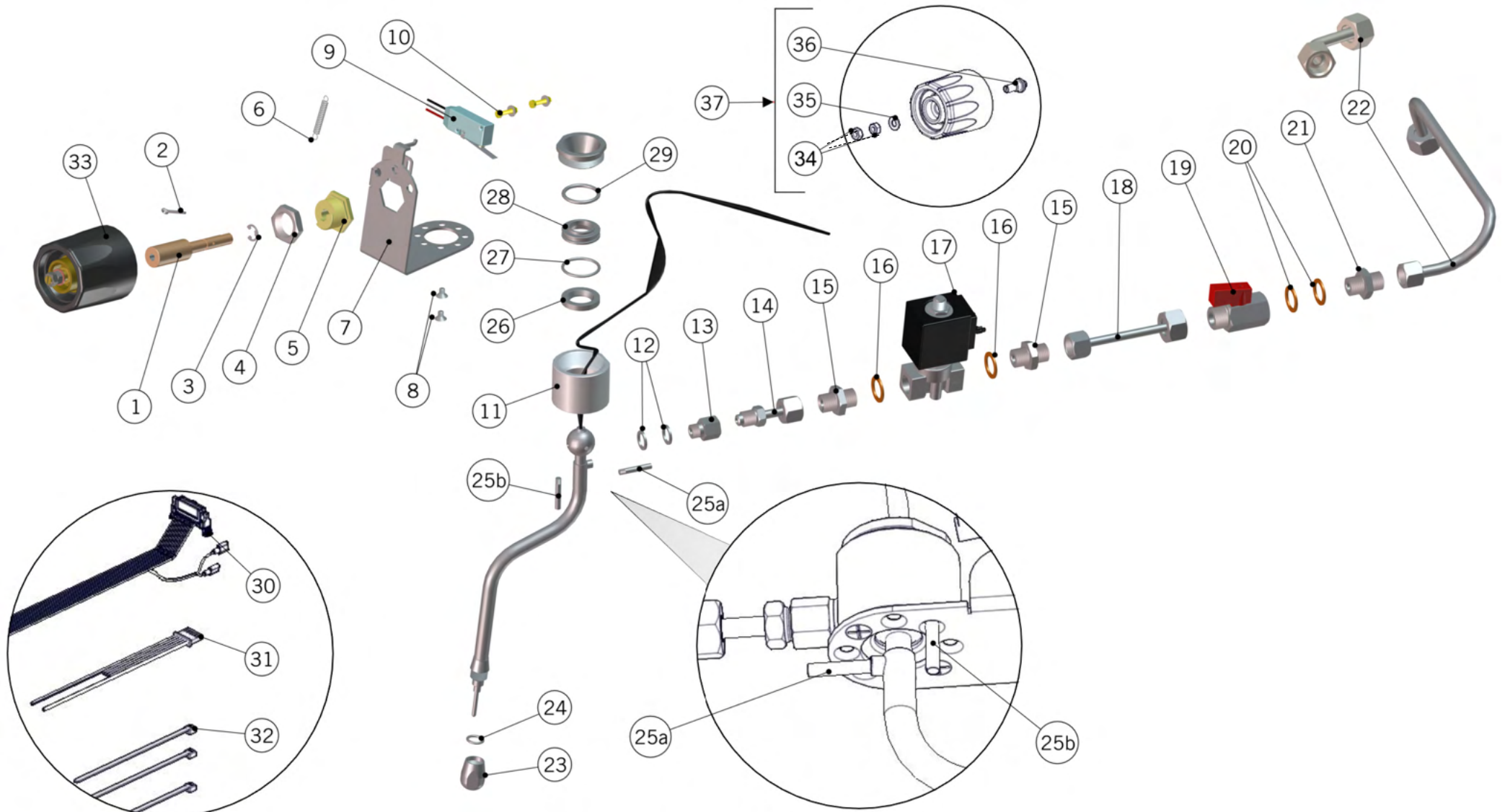


la marzocco

handmade in florence

AUTOSTEAM ASSEMBLY

ONLY FOR
S/N 0001 TO 018634





la marzocco

handmade in florence

AUTOSTEAM ASSEMBLY

Autosteam

1	A.1.007.01	CAM SHAFT AUTOSTEAM	ALBERO A CAMME AUTOSTEAM ACCIAIO
2	L165/8	COTTER PIN	COPPIGLIA FERMO VOLANTINO INOX
3	I.1.023	SEEGER RING	ANELLO SEEGER PER ALBERO AUT.
4	L037/D	NUT G1/2 H6 WR24 BRASS	DADO G1/2 H6 CH24 OTTONE
5	A.1.008	AUTOSTEAM SHAFT SUPPORT	SUPPORTO ALBERO PER AUTOSTEAM
6	I.5.001	SPRING EXTENSION 0,65X4,6X12 S/S	MOLLA A TRAZIONE 0,65X4,6X12 INOX
7	C.1.058.DX	AUTOSTEAM WAND SUPPORT W/SWITCH BRACKET	SUPPORTO LANCIA AUTOSTEAM C/STAFFA MICRO
	C.1.058.SX	AUTOSTEAM WAND SUPPORT (SX)	SUPPORTO LANCIA AUTOSTEAM SX
8	I.1.057	SCREW M4X8 PHILLIPS COUNTERSUNK S/S A2	VITE M4X8 TS A CROCE INOX A2
9	E.2.039	MICROSWITCH KIT WITH LUGS	KIT MICROINTERRUTTORE C/CAPICORDA
10	DADO3M	NUT M3 H3 WR6 BRASS	DADO M3 H3 CH6 OTTONE
	RONDELLA4X9	WASHER 4X9X0,8 BRASS	RONDELLA 4X9X0,8 OTTONE
	VITE3X16	SCREW M3X16 CHEESE BRASS	VITE M3X16 TC A TAGLIO OTTONE
11	T.2.002.01	STEAM WAND S/S AUTOSTEAM GB5	LANCIA VAPORE INOX AUTOSTEAM GB5
12	L100/D	WASHER 10X14X1,5 COPPER	RONDELLA 10X14X1,5 RAME
13	L100/C.01	FITTING G1/8F - G1/8M WR14 BRASS TREATED	RACCORDO G1/8F - G1/8M CH14 OTTONE TR.
14	T.1.002.01	TUBE TEE FITTING-AUTOFILL SOLENOID V.TR.	TUBO T - EV RIEMP. TRATTATO
15	L037/3.01	NIPPLE G1/4M-G1/4M WR19 H25.5 BRASS TR.	NIPPLO G1/4M-G1/4M CH19 H25.5 OT. TR.
16	L100/1A	WASHER 13,5X19X1,5 COPPER	RONDELLA 13,5X19X1,5 RAME
17	B.2.009.01	3-WAY S/S SOLENOID VALVE 5.5MM	EV AISI316 PER AUTOSTEAM 5.5MM 3 VIE
18	T.1.050.01	TUBE RIGHT BALL V.-AUTOST.SOLENOID V.TR.	TUBO RUB.SFERA DX-EV AUTOSTEAM TRATTATO
	T.1.050.SX	TUBE LEFT BALL V.-AUTOSTEAM SOLENOID V.	TUBO RUB.SFERA SX - EV AUTOSTEAM
19	L164.02	BALL VALVE G3/8M-G3/8F BRASS TREATED	RUBINETTO A SFERA G3/8M-G3/8F OTTONE TR.
20	L180/1	WASHER 22X17X1,5 COPPER	RONDELLA 17X22X1,5 RAME
21	L305/N.01	NIPPLE G3/8M-G3/8M WR20 H31 BRASS TR.	NIPPLO G3/8M-G3/8M CH20 H31 OTTONE TR.
Item	Part number/Codice	Description	Descrizione



la marzocco

handmade in florence

AUTOSTEAM ASSEMBLY

Item	Part number/Codice	Description	Descrizione
22	T.1.010.01	TUBE STEAM B. - LEFT BALL VALVE TR. GB5	TUBO C.VAPORE - RUB.SFERA SX TRATT. GB5
	T.1.020.01	TUBE STEAM B. - RIGHT BALL V. TREATED	TUBO C.VAPORE - RUB.SFERA DX TRATTATO
23	L177	AUTOSTEAM TIP	ROMPIGETTO LANCIA AUTOSTEAM
24	F.2.016	O RING NBR DIA INT 8.73 X AUTOSTEAM	O RING NBR DIA INT 8.73 X AUTOSTEAM
25a	I.1.022.C	PIN MECHANICAL STOP M4X22 S/S	PERNO DI BATTUTA M4X22 INOX
25b	I.1.022	PIN MECHANICAL STOP M4X24 S/S	PERNO DI BATTUTA M4X24 INOX
26	F.4.004	PTFE GASKET FOR AUTOSTEAM TEFLON	GUARN.INF. PTFE X AUTOSTEAM TEFLON
27	F.4.003	ORING 2093 X AUTOSTEAM VITON	ORING 2093 X AUTOSTEAM VITON
28	F.4.002	UPPER GASKET TEFLON AUTOSTEAM WAND	GUARNIZIONE SUP. TEFLON LANCIA X AUTO
29	F.2.015	ORING NBR FOR AUTOSTEAM INT DIAM 3/4	ORING NBR X AUTOSTEAM DIA INT 3/4
30	LAD3D5/A	SWITCH CPU FLAT CABLE	CAVO PULSANTIERA 3D5 CM.140
31	E.4.017	SOLENOID VALVE WIRING CABLE	CABLAGGIO ALIM. EV AUTOSTEAM
32	5.V001	#10-32 UNF X 1/2 TRUSS HEAD	#10-32 UNF X 1/2 TRUSS HEAD
33	F.1.006.01	STEAM VALVE KNOB GB5 NEW VERSION	MANOPOLA RUBINETTO VAPORE GB5 NUOVA
34	I.1.049	NUT M6 H5 WR10 S/S A2	DADO M6 H5 CH10 INOX A2
35	L165/9	WASHER 6,5X18X1,5 GALVANIZED	RONDELLA 6,5X18X1,5 ZINCATA
36	A.1.025	GB5 AUTOSTEAM VALVE SHAFT EXTENSION	PROLUNGA ALBERO AUTOSTEAM GB5
37	A.1.025.KIT	AUTOSTEAM KNOB RETROFIT KIT	RETROFIT KIT MANOPOLA AUTOSTEAM

Autosteam

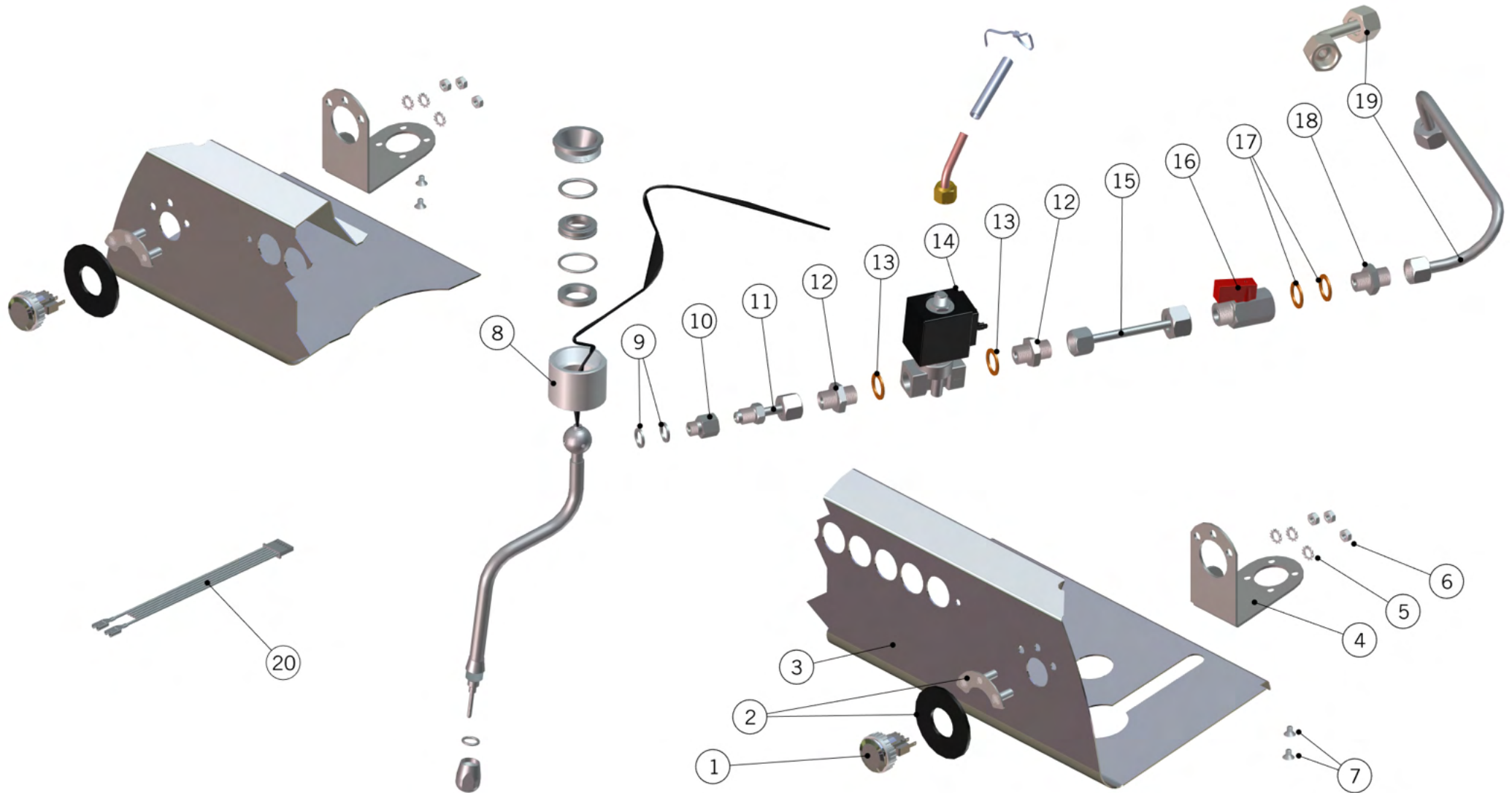


la marzocco

handmade in florence

AUTOSTEAM ASSEMBLY

ONLY FROM
S/N 018635





la marzocco

handmade in florence

AUTOSTEAM ASSEMBLY

Autosteam

1	E.2.041	S/S SWITCH W/RED LED	INTERRUTTORE INOX C/LED ROSSO
2	C.1.362	BUTTON PLATE AUTOSTEAM	PIASTRINA PULSANTE AUTOSTEAM
3	C.1.365.2	AUTOSTEAM PANEL CONTROL GB5 2AV	PANNELLO DI COMANDO GB5 2AV AUTOSTEAM
	C.1.365.2.L	AUTOSTEAM PANEL CONTROL GB5 2AV W/LIGHTS	PANNELLO COMANDO GB5 2AV AUTOSTEAM LUCI
	C.1.365.3	AUTOSTEAM PANEL CONTROL GB5 3AV	PANNELLO DI COMANDO GB5 3AV AUTOSTEAM
	C.1.365.3.L	AUTOSTEAM PANEL CONTROL GB5 3AV W/LIGHTS	PANNELLO COMANDO GB5 3AV AUTOSTEAM LUCI
	C.1.365.4	AUTOSTEAM PANEL CONTROL GB5 4AV	PANNELLO DI COMANDO GB5 4AV AUTOSTEAM
	C.1.365.4.L	AUTOSTEAM PANEL CONTROL GB5 4AV W/LIGHTS	PANNELLO COMANDO GB5 4AV AUTOSTEAM LUCI
4	C.1.363.DX	BRACKET AUTOSTEAM WAND	STAFFA LANCIA AUTOSTEAM
5	I.1.075	TOOTH LOCK WASHER 6X10,5X1,5 S/S A2	ROND.DENTATA 6X10,5X1,5 INOX A2
6	DADO5M_INOX	NUT M5 H4 WR8 S/S A2	DADO M5 H4 CH8 INOX A2
7	I.1.057	SCREW M4X8 PHILLIPS COUNTERSUNK S/S A2	VITE M4X8 TS A CROCE INOX A2
8	T.2.002.01	STEAM WAND S/S GB5 W/PROBE	LANCIA VAPORE INOX GB5 C/SONDA
9	L100/D	WASHER 10X14X1,5 COPPER	RONDELLA 10X14X1,5 RAME
10	L100/C.01	FITTING G1/8F - G1/8M WR14 BRASS TREATED	RACCORDO G1/8F - G1/8M CH14 OTTONE TR.
11	T.1.002.01	TUBE TEE FITTING-AUTOFILL SOLENOID V.TR.	TUBO T - EV RIEMP. TRATTATO
12	L037/3.01	NIPPLE G1/4M-G1/4M WR19 H25.5 BRASS TR.	NIPPLO G1/4M-G1/4M CH19 H25.5 OT. TR.
13	L100/1A	WASHER 13,5X19X1,5 COPPER	RONDELLA 13,5X19X1,5 RAME
14	B.2.009.01	3-WAY S/S SOLENOID VALVE 5.5MM	EV AISI316 PER AUTOSTEAM 5.5MM 3 VIE
15	T.1.050.01	TUBE RIGHT BALL V.-AUTOST.SOLENOID V.TR.	TUBO RUB.SFERA DX-EV AUTOSTEAM TRATTATO
	T.1.050.SX	TUBE LEFT BALL V.-AUTOSTEAM SOLENOID V.	TUBO RUB.SFERA SX - EV AUTOSTEAM
16	L164.02	BALL VALVE G3/8M-G3/8F BRASS TREATED	RUBINETTO A SFERA G3/8M-G3/8F OTTONE TR.
17	L180/1	WASHER 22X17X1,5 COPPER	RONDELLA 17X22X1,5 RAME
18	L305/N.01	NIPPLE G3/8M-G3/8M WR20 H31 BRASS TR.	NIPPLO G3/8M-G3/8M CH20 H31 OTTONE TR.
19	T.1.010.01	TUBE STEAM B. - LEFT BALL VALVE TR. GB5	TUBO C.VAPORE - RUB.SFERA SX TRATT. GB5
	T.1.020.01	TUBE STEAM B. - RIGHT BALL V. TREATED	TUBO C.VAPORE - RUB.SFERA DX TRATTATO
20	E.4.135	CABLE ELECTRONIC BOARD BUTTON AUTOSTEAM	CAVO CENTRALINA TASTO AUTOSTEAM
Item	Part number/Codice	Description	Descrizione

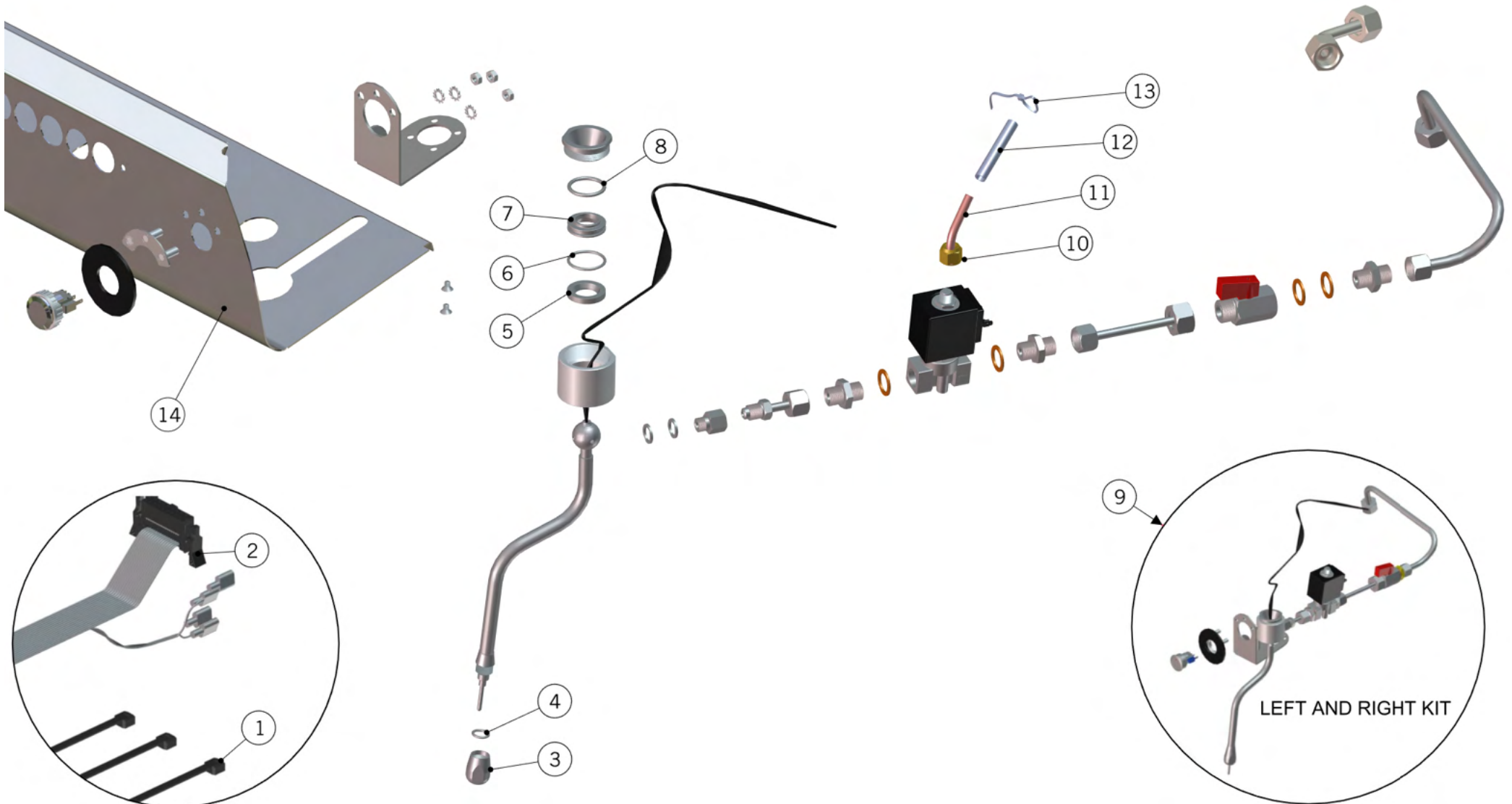


la marzocco

handmade in florence

AUTOSTEAM ASSEMBLY

ONLY FROM
S/N 018635





la marzocco

handmade in florence

AUTOSTEAM ASSEMBLY

Autosteam

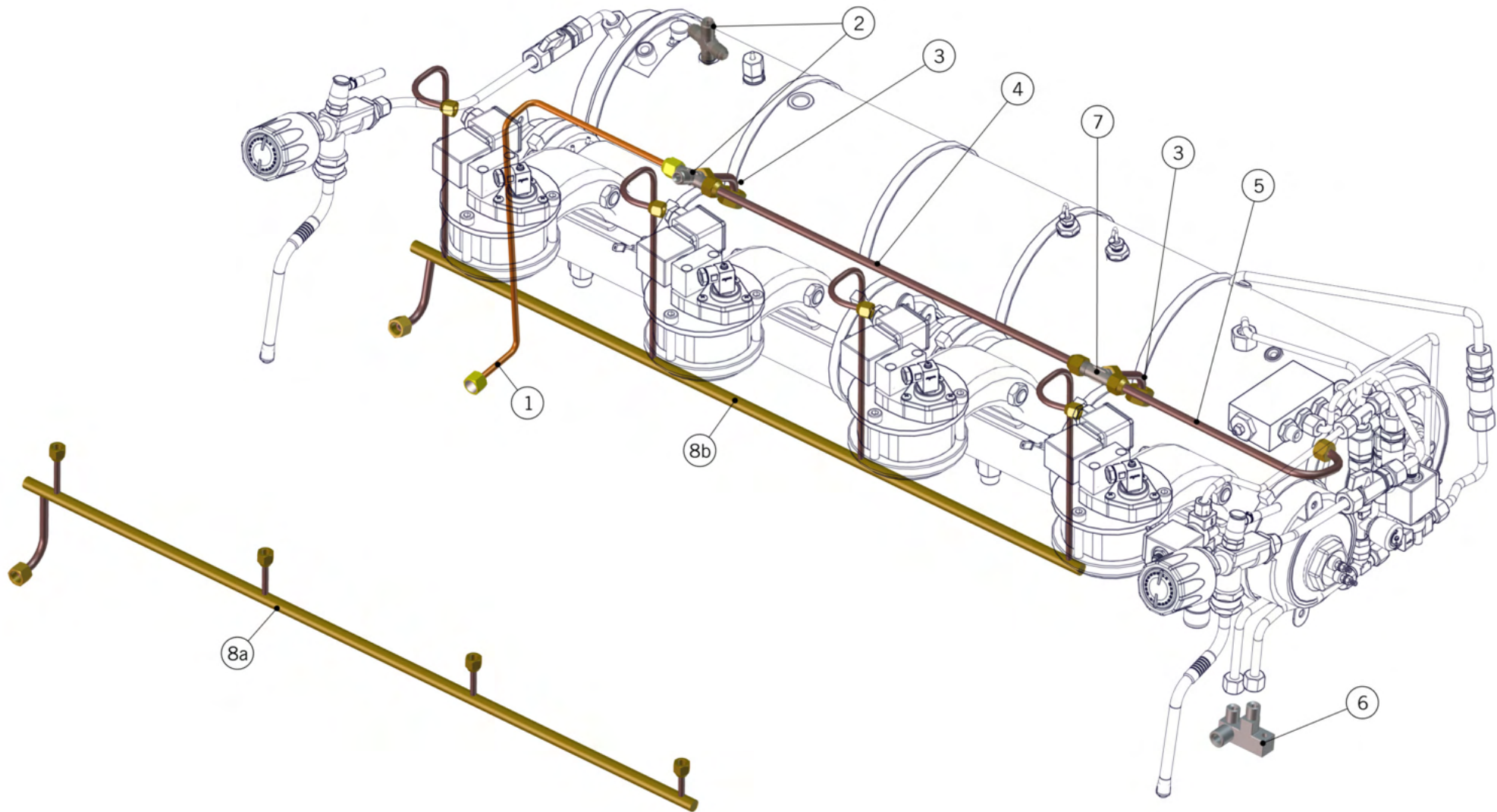
1	5.V001	#10-32 UNF X 1/2 TRUSS HEAD	#10-32 UNF X 1/2 TRUSS HEAD
2	E.4.135	CABLE ELECTRONIC BOARD BUTTON AUTOSTEAM	CAVO CENTRALINA TASTO AUTOSTEAM
3	L177	AUTOSTEAM TIP	ROMPIGETTO LANCIA AUTOSTEAM
4	F.2.016	O RING NBR DIA INT 8.73 X AUTOSTEAM	O RING NBR DIA INT 8.73 X AUTOSTEAM
5	F.4.004	PTFE GASKET FOR AUTOSTEAM TEFLON	GUARN.INF. PTFE X AUTOSTEAM TEFLON
6	F.4.003	ORING 2093 X AUTOSTEAM VITON	ORING 2093 X AUTOSTEAM VITON
7	F.4.002	UPPER GASKET TEFLON AUTOSTEAM WAND	GUARNIZIONE SUP. TEFLON LANCIA X AUTO
8	F.2.015	ORING NBR FOR AUTOSTEAM INT DIAM 3/4	ORING NBR X AUTOSTEAM DIA INT 3/4
9	SA153.DX	AUTOSTEAM - RIGHT SIDE	KIT AUTOSTEAM DX
	SA153.SX	AUTOSTEAM - LEFT SIDE	KIT AUTOSTEAM SX
10	A.1.027	FITTING G1/8F H12 WR14 BRASS	RACCORDO G1/8F H12 CH14 OTTONE
11	T.1.175	TUBE AUTOSTEAM ANTI-SUCTION	TUBO ANTIRISUCCHIO AUTOSTEAM
12	T.4.001	ANTISUCTION VALVE SILICONE TUBE	TUBO SILICONE 5X8 V. ANTIRISUCCHIO
13	L338/L100	PLASTIC FASTENER 100X2.5	FASCETTA FERMAFILO 98X2.5
14	C.1.367.2	LEFT AUTOSTEAM PANEL CONTROL GB5 2AV	PANNELLO DI COMANDO SX GB5 2AV AUTOSTEAM
	C.1.367.2.L	LEFT AUTOST.PANEL CONTROL GB5 2AV LIGHTS	PANNELLO COM. SX GB5 2AV AUTOSTEAM LUCI
	C.1.367.3	LEFT AUTOSTEAM PANEL CONTROL GB5 3AV	PANNELLO DI COMANDO SX GB5 3AV AUTOSTEAM
	C.1.367.3.L	LEFT AUTOST.PANEL CONTROL GB5 3AV LIGHTS	PANNELLO COM. SX GB5 3AV AUTOSTEAM LUCI
	C.1.367.4	LEFT AUTOSTEAM PANEL CONTROL GB5 4AV	PANNELLO DI COMANDO SX GB5 4AV AUTOSTEAM
	C.1.367.4.L	LEFT AUTOST.PANEL CONTROL GB5 4AV LIGHTS	PANNELLO COM. SX GB5 4AV AUTOSTEAM LUCI
Item	Part number/Codice	Description	Descrizione



la marzocco

handmade in florence

HYDRAULIC ASSEMBLY





la marzocco

handmade in florence

HYDRAULIC ASSEMBLY

Impianto Idraulico

1	T.1.009	TUBE CROSS FITTING - EXPANSION VALVE GB5	TUBO CROCIERA - VALVOLA ESPANSIONE GB5
2	L129.01	CROSS FITTING G1/4M WR13 BRASS TREATED	RACCORDO A CROCE G1/4M CH13 OTTONE TR.
3	TL06	TUBE CROSS FITTING - COFFEE BOILER	TUBO CROCIERA - CALDAIA CAFFE'
4	TL05/3	TUBE CROSS FITTING CONNECTION 3GR	TUBO COLLEGAMENTO CROCIERE 3GR
	TL05/4	TUBE CROSS FITTING CONNECTION 4GR	TUBO COLLEGAMENTO CROCIERE 4GR
5	T.1.018	TUBE THERMOSTATIC VALVE - COFFEE B. TEE	TUBO V. TERMOSTATICA - T CALDAIA CAFFE'
6	A.2.001.01	INLET WATER MANIFOLD TREATED	COLLETTORE INGRESSO ACQUA TRATTATO
7	L128.01	TEE FITTING G1/4M WR13 BRASS TREATED	RACCORDO A T G1/4M CH13 OTTONE TRATTATO
8a	T.1.012.2	DRAIN TUBE GB5 2MP	TUBO SCARICO GB5 2MP
	T.1.012.3	DRAIN TUBE GB5 3MP	TUBO SCARICO GB5 3MP
	T.1.012.4	DRAIN TUBE GB5 4MP	TUBO SCARICO GB5 4MP
8b	T.1.021.2	DRAIN TUBE SOLENOID V. GB5 2AV	TUBO SCARICO EV GB5 2AV
	T.1.021.3	DRAIN TUBE SOLENOID V. GB5 3AV	TUBO SCARICO EV GB5 3AV
	T.1.021.4	DRAIN TUBE SOLENOID V. GB5 4AV	TUBO SCARICO EV GB5 4AV
Item	Part number/Codice	Description	Descrizione

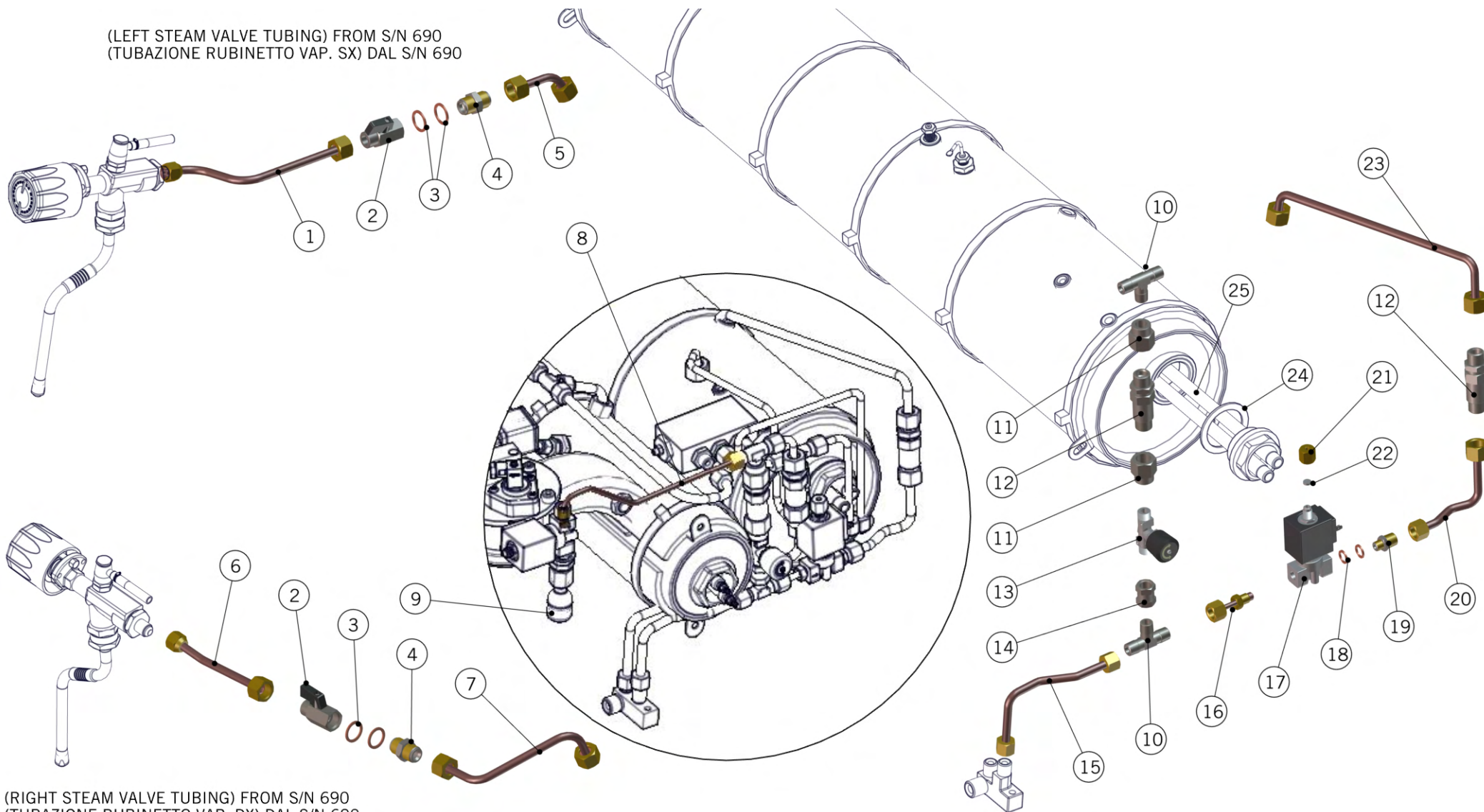


la marzocco

handmade in florence

HYDRAULIC ASSEMBLY

(LEFT STEAM VALVE TUBING) FROM S/N 690
(TUBAZIONE RUBINETTO VAP. SX) DAL S/N 690



(RIGHT STEAM VALVE TUBING) FROM S/N 690
(TUBAZIONE RUBINETTO VAP. DX) DAL S/N 690



la marzocco

handmade in florence

HYDRAULIC ASSEMBLY

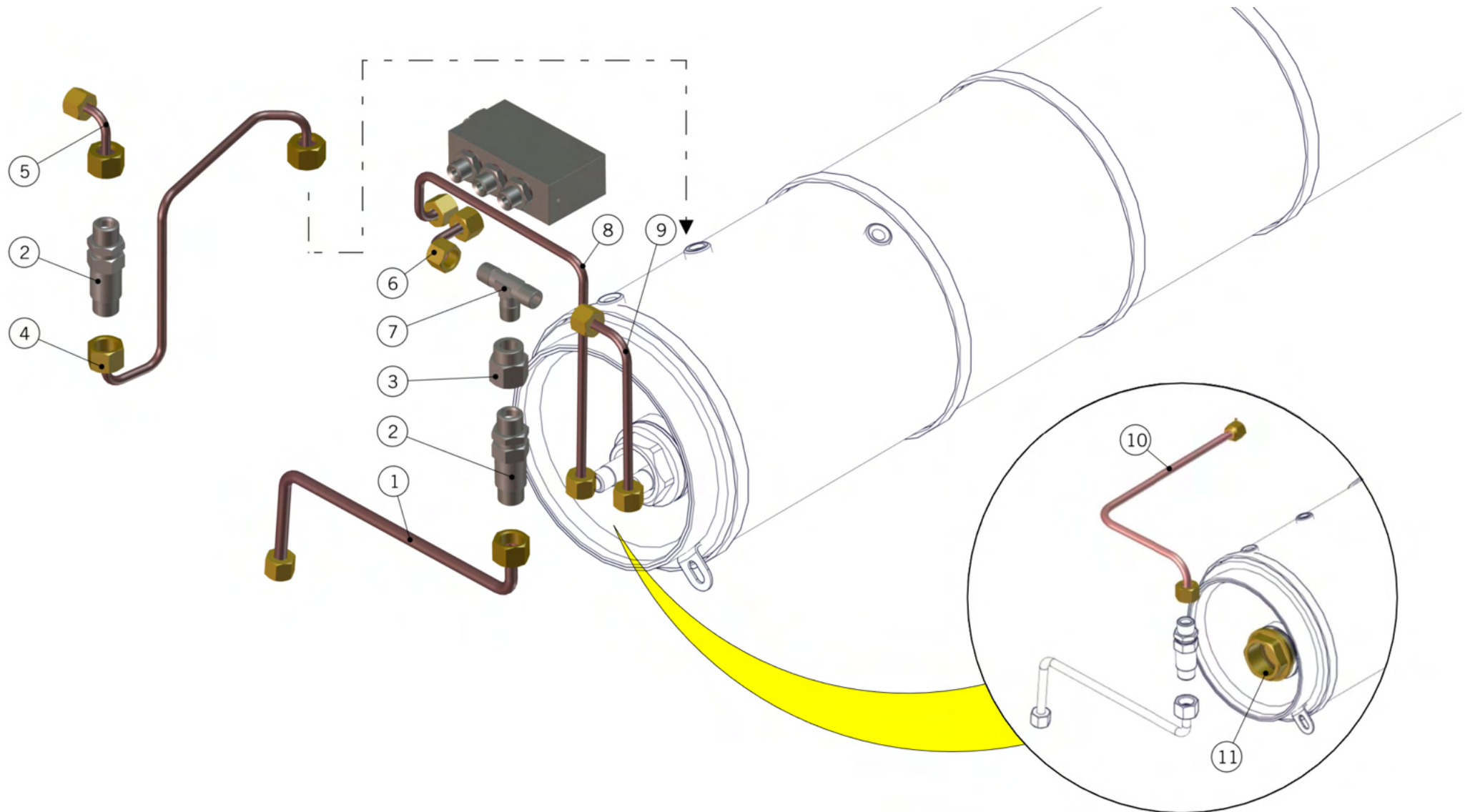
Impianto Idraulico

1	T.1.011.01	TUBE BALL VALVE - LEFT STEAM VALVE TR.	TUBO RUB.SFERA - RUB.VAPORE SX TRATT.
2	L164.02	BALL VALVE G3/8M-G3/8F BRASS TREATED	RUBINETTO A SFERA G3/8M-G3/8F OTTONE TR.
3	L180/1	WASHER 22X17X1,5 COPPER	RONDELLA 17X22X1,5 RAME
4	L305/N.01	NIPPLE G3/8M-G3/8M WR20 H31 BRASS TR.	NIPPLO G3/8M-G3/8M CH20 H31 OTTONE TR.
5	T.1.010.01	TUBE STEAM B. - LEFT BALL VALVE TR. GB5	TUBO C.VAPORE - RUB.SFERA SX TRATT. GB5
6	T.1.048.01	TUBE BALL V. - RIGHT STEAM VALVE TR.	TUBO RUB.SFERA - RUB.VAP. DX TRATT.
7	T.1.020.01	TUBE STEAM B. - RIGHT BALL V. TREATED	TUBO C.VAPORE - RUB.SFERA DX TRATTATO
8	T.1.007.01	TUBE MIXING VALVE TEE - TEA SOLENOID V.	TUBO T V.MISC. - EV TE'
9	L160.02	HOT WATER WAND S/S G3/8F W/DIFFUSER	LANCIA TE' INOX G3/8F C/DIFFUSORE
10	A.2.002.01	TEE FITTING R1/4M WR13 BRASS TREATED	RACCORDO A T R1/4M CH13 OTTONE TRATT.
11	A.2.004.01	FITTING G1/4F-G3/8F WR22 BRASS TREATED	RACCORDO G1/4F-G3/8F CH22 OTTONE TRATT.
12	L032/P.01	CHECK VALVE G3/8M TREATED	VALVOLA DI RITEGNO G3/8M TRATTATA
13	B.2.001	WATER MIXER VALVE	VALVOLA MISCELAZIONE ACQUA
14	A.2.003.01	FITTING G1/4F-G1/4F WR17 BRASS TREATED	RACCORDO G1/4F-G1/4F CH17 OTTONE TRATT.
15	T.1.001	TUBE WATER INLET MANIFOLD - TEE FITTING	TUBO COLLETTORE INGRESSO ACQUA - T
16	T.1.002.01	TUBE TEE FITTING-AUTOFILL SOLENOID V.TR.	TUBO T - EV RIEMP. TRATTATO
17	L100/E.02	3 WAY SOLENOID VALVE BDV 220/240AC 50-6	ELETTROVALVOLA 3 VIE CON BOBINA
	L100/E200.01	3 WAY SOLENOID VALVE 200V	ELETTROVALVOLE 3 VIE
18	L100/D	WASHER 10X14X1,5 COPPER	RONDELLA 10X14X1,5 RAME
19	L053/1.01	NIPPLE R1/8M-R1/4M WR14 BRASS TR.	NIPPLO R1/8M-R1/4M CH14 OTTONE TR.
20	T.1.003	TUBE AUTOFILL SOLENOID V.-CHECK VALVE	TUBO EV RIEMP. - VALVOLA DI RITEGNO
21	L134	G1/8" F NUT - 4,5mm HOLE	RACCORDO F.1/8 ES.14 FORO 4.5
22	L134/4	8mm BLIND FERRULE	GHIANDINA DM.8 CHIUSA - NICK . AL
23	T.1.004	TUBE CHECK V. AUTOFILL SOLENOID V.-S.B.	TUBO V.RIT. EV RIEMP. - CALDAIA VAPORE
24	LR360	1-1/4 HEATER ELEMENT GASKET	GUARNIZIONE PIANA DM.55X42X2
25	T.1.015.02	PREHEATER 2GR L384 MM WITH Y JOINT	PRERISCALDATORE 2GR L 384 MM CON Y
	T.1.019.02	PREHEATER 3-4GR L584 MM WITH Y JOINT	PRERISCALDATORE 3-4GR L 584 MM CON Y
Item	Part number/Codice	Description	Descrizione



la marzocco
handmade in florence

HYDRAULIC ASSEMBLY





la marzocco

handmade in florence

HYDRAULIC ASSEMBLY

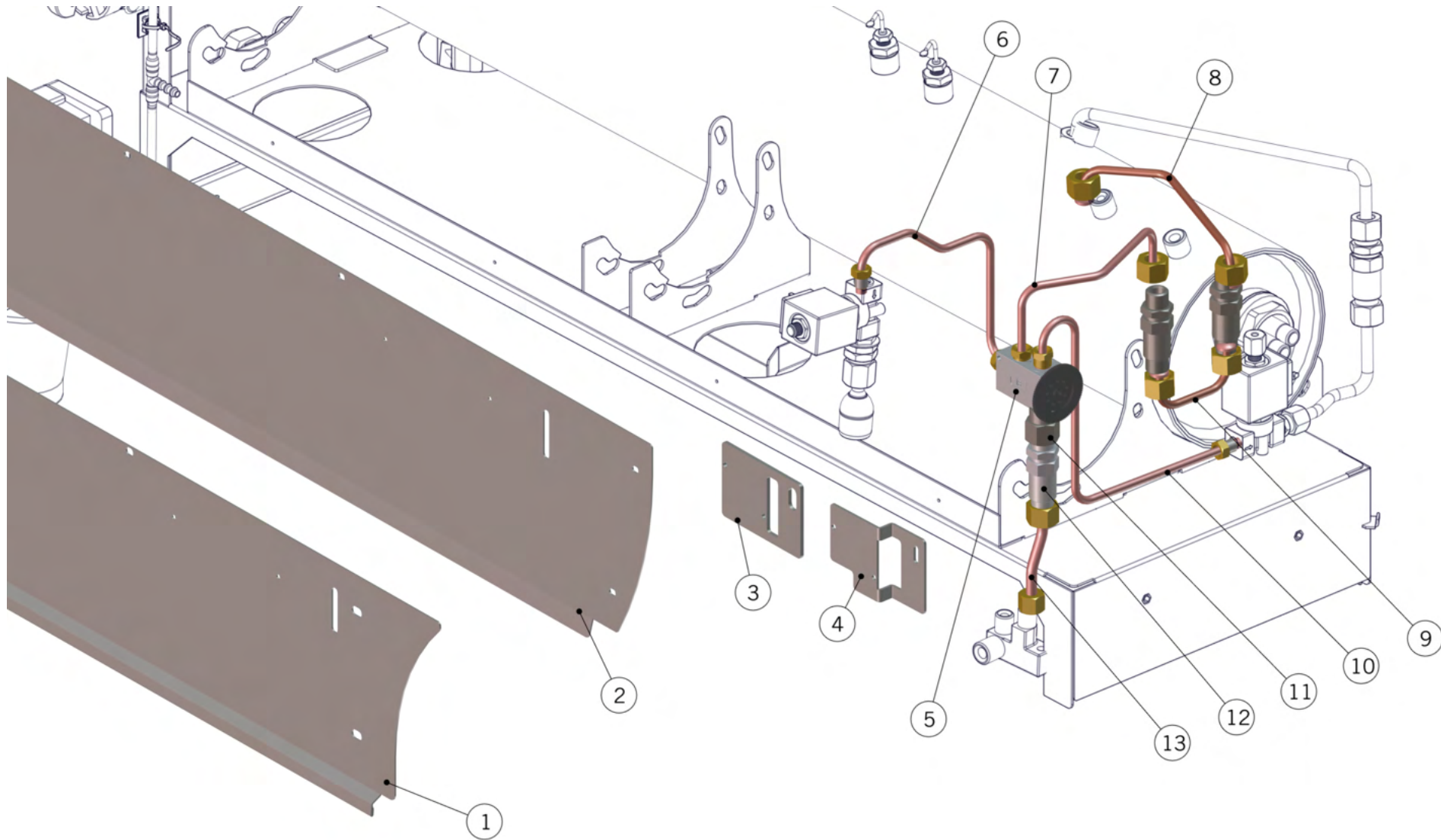
Impianto Idraulico

1	T.1.013	TUBE INLET MANIFOLD - CHECK V. GB5	TUBO ANCORAGGIO - V.RITEGNO GB5
2	L032/P.01	CHECK VALVE G3/8M TREATED	VALVOLA DI RITEGNO G3/8M TRATTATA
3	A.2.004.01	FITTING G1/4F-G3/8F WR22 BRASS TREATED	RACCORDO G1/4F-G3/8F CH22 OTTONE TRATT.
4	T.1.006	TUBE STEAM BOILER - CHECK VALVE GB5	TUBO CALDAIA VAPORE - V.RITEGNO GB5
5	T.1.005	TUBE CHECK VALVE - TEE FITTING GB5	TUBO VALVOLA DI RITEGNO - T GB5
6	T.1.017	TUBE H2O TEE - THERMOSTATIC VALVE GB5	TUBO T H2O - VALVOLA TERMOSTATICA GB5
7	A.2.002.01	TEE FITTING R1/4M WR13 BRASS TREATED	RACCORDO A T R1/4M CH13 OTTONE TRATT.
8	T.1.016	TUBE PRE-HEATER - THERMOSTATIC V. GB5	TUBO PRERISC. - V. TERMOSTATICA GB5
9	T.1.014	TUBE H2O TEE FITTING - PRE-HEATER GB5	TUBO T H2O - PRERISCALDATORE GB5
10	T.1.213	TUBE CHECK VALVE - COFFEE B. INLET KAFEA	TUBO V.RITEGNO INGR.CALDAIA CAFFE' KAFEA
11	A.2.108	CAP G1-1/4 BRASS TREATED	TAPPO G1-1/4 OTTONE TRATTATO
Item	Part number/Codice	Description	Descrizione



la marzocco
handmade in florence

HYDRAULIC ASSEMBLY - HOT WATER MIXING VALVE





la marzocco

handmade in florence

HYDRAULIC ASSEMBLY - HOT WATER MIXING VALVE

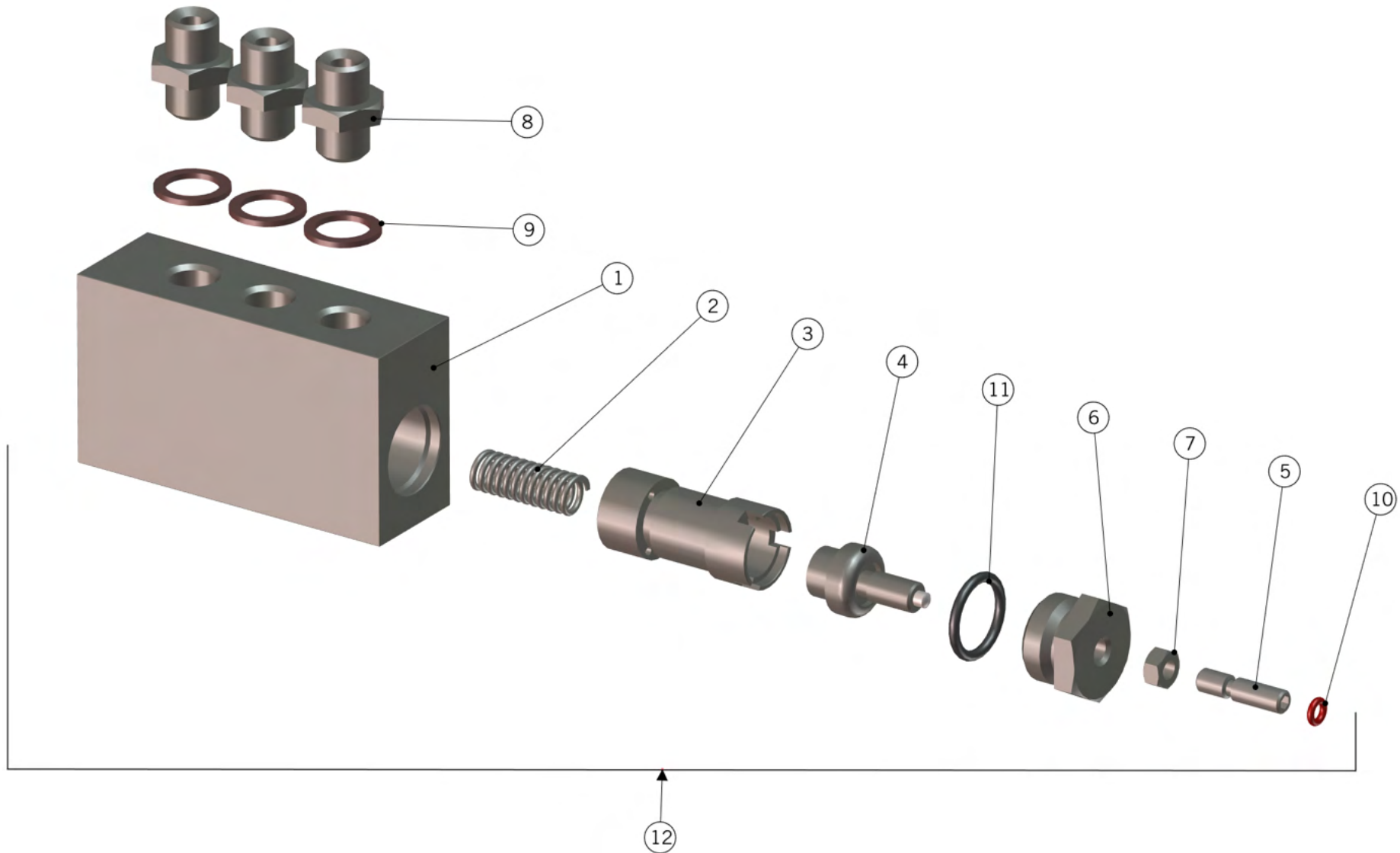
Impianto Idraulico

1	C.1.332.2	PANEL MAIN SWITCH FB80 2GR MIXING VALVE	PANN. INTERR. GEN. FB80 2GR MISCELATORE	
	C.1.332.3	PANEL MAIN SWITCH FB80 3GR MIXING VALVE	PANN. INTERR. GEN. FB80 3GR MISCELATORE	
	C.1.332.4	PANEL MAIN SWITCH FB80 4GR MIXING VALVE	PANN. INTERR. GEN. FB80 4GR MISCELATORE	
	2	C.1.334.2	GB/5 2GR MAIN SWITCH PANEL MIXING VALVE	PANN. INTERR.GENERALE GB/5 2GR MISC.
		C.1.334.3	GB/5 3GR MAIN SWITCH PANEL MIXING VALVE	PANN. INTERR.GENERALE GB/5 3GR MISC.
		C.1.334.4	GB/5 4GR MAIN SWITCH PANEL MIXING VALVE	PANN. INTERR.GENERALE GB/5 4GR MISC.
	3	C.1.333	STAFFA MISCELAZIONE ACQUA CALDA FB80	STAFFA MISCELAZIONE ACQUA CALDA FB80
	4	C.1.335	STAFFA MISCELAZIONE ACQUA CALDA GB5	STAFFA MISCELAZIONE ACQUA CALDA GB5
	5	B.2.007.01	MIXING VALVE BODY TREATED	CORPO VALVOLA MISCELATRICE TRATTATA
	6	T.1.194	TUBE MIXING VALVE - TEA SOLENOID V. GB5	TUBO V. MISCELAZIONE - EV TE' GB5
	7	T.1.192	TUBE CHECK V. - MIXING VALVE GB5	TUBO V.RITEGNO - V. MISCELAZIONE GB5
	8	T.1.085	TUBE STEAM B. - HOT WATER CHECK VALVE	TUBO C.VAPORE - V.RITEGNO ACQUA CALDA
	9	T.1.086	TUBE S.B. CHECK V. - TEA MIX V. CHECK V.	TUBO V.RITEGNO C.V.-V.RITEGNO V.MISC.TE'
10	T.1.195	TUBE AUTOFILL SOLENOID V. -MIXING V. GB5	TUBO EV RIEMPIMENTO - V.MISCELAZIONE GB5	
11	A.2.004.01	FITTING G1/4F-G3/8F WR22 BRASS TREATED	RACCORDO G1/4F-G3/8F CH22 OTTONE TRATT.	
12	L032/P.01	CHECK VALVE G3/8M TREATED	VALVOLA DI RITEGNO G3/8M TRATTATA	
13	T.1.193	TUBE INLET MANIFOLD - MIXING VALVE GB5	TUBO ANCORAGGIO - V. MISCELAZIONE GB5	
Item	Part number/Codice	Description	Descrizione	



la marzocco
handmade in florence

PRE-HEATING MIX VALVE





la marzocco

handmade in florence

PRE-HEATING MIX VALVE

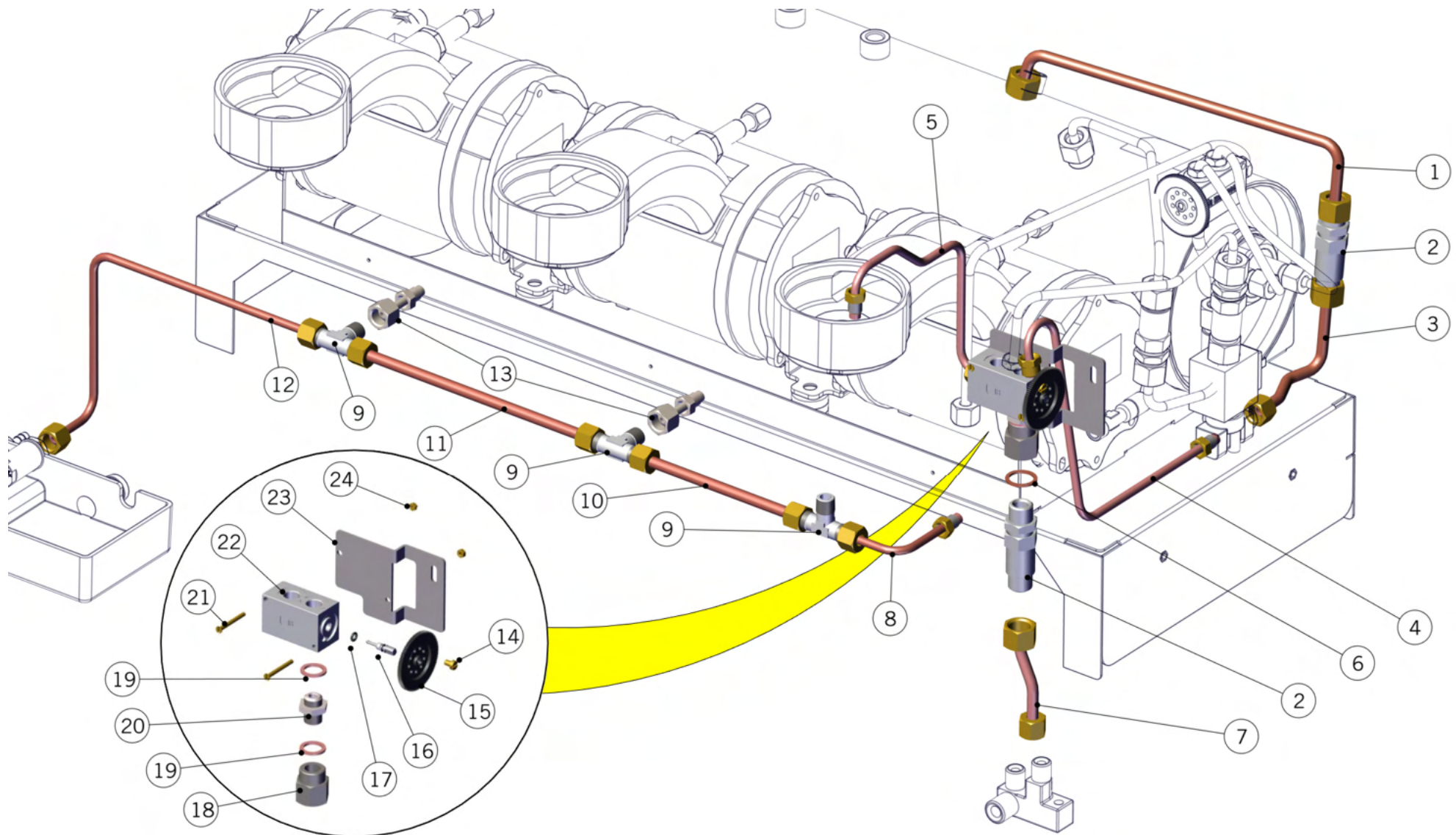
Valvola Termostatica	1	B.2.002.01	THERMOSTATIC VALVE BODY TREAT.	CORPO VALVOLA TERMOSTATICA TRATT.
	2	F.3.002	SPRING COMPRESSION 1,3X10,5X36,75 S/S	MOLLA A COMPRESSIONE 1,3X10,5X36,75 INOX
	3	A.2.005.01	THERMOST. VALVE MIXER CYLINDER TREATED	CILINDRO MISCELATORE VALV.TERM. TRATT.
	4	E.5.001.01	THERMOSTATIC VALVE S/S ACTUATOR	ATTUATORE INOX VALVOLA TERMOSTATICA
	5	I.1.001	SOCKET GRUB SCREW M6X24,5 S/S A2	GRANO M6X24,5 A BRUGOLA INOX A2
	6	A.2.006.01	THERMOSTATIC VALVE CAP TREATED	TAPPO VALVOLA TERMOSTATICA TRATTATO
	7	I.1.049	NUT M6 H5 WR10 S/S A2	DADO M6 H5 CH10 INOX A2
	8	L037/3.01	NIPPLE G1/4M-G1/4M WR19 H25.5 BRASS TR.	NIPPLO G1/4M-G1/4M CH19 H25.5 OT. TR.
	9	L100/1A	WASHER 13,5X19X1,5 COPPER	RONDELLA 13,5X19X1,5 RAME
	10	H.1.001	O-RING 3,69X1,78 VITON FDA	O-RING 3,69X1,78 VITON FDA
	11	H.1.002	OR VITON THERMOST.VALVE CAP	OR (VITON) PER TAPPO VALVOLA
	12	B.2.003	THERMOSTATIC VALVE TREATED	VALVOVA TERMOSTATICA TRATTATA
Item	Part number/Codice		Description	Descrizione



la marzocco

handmade in florence

HYDRAULIC ASSEMBLY - SINGLE BOILER VERSION





la marzocco

handmade in florence

HYDRAULIC ASSEMBLY - SINGLE BOILER VERSION

Impianto Idraulico

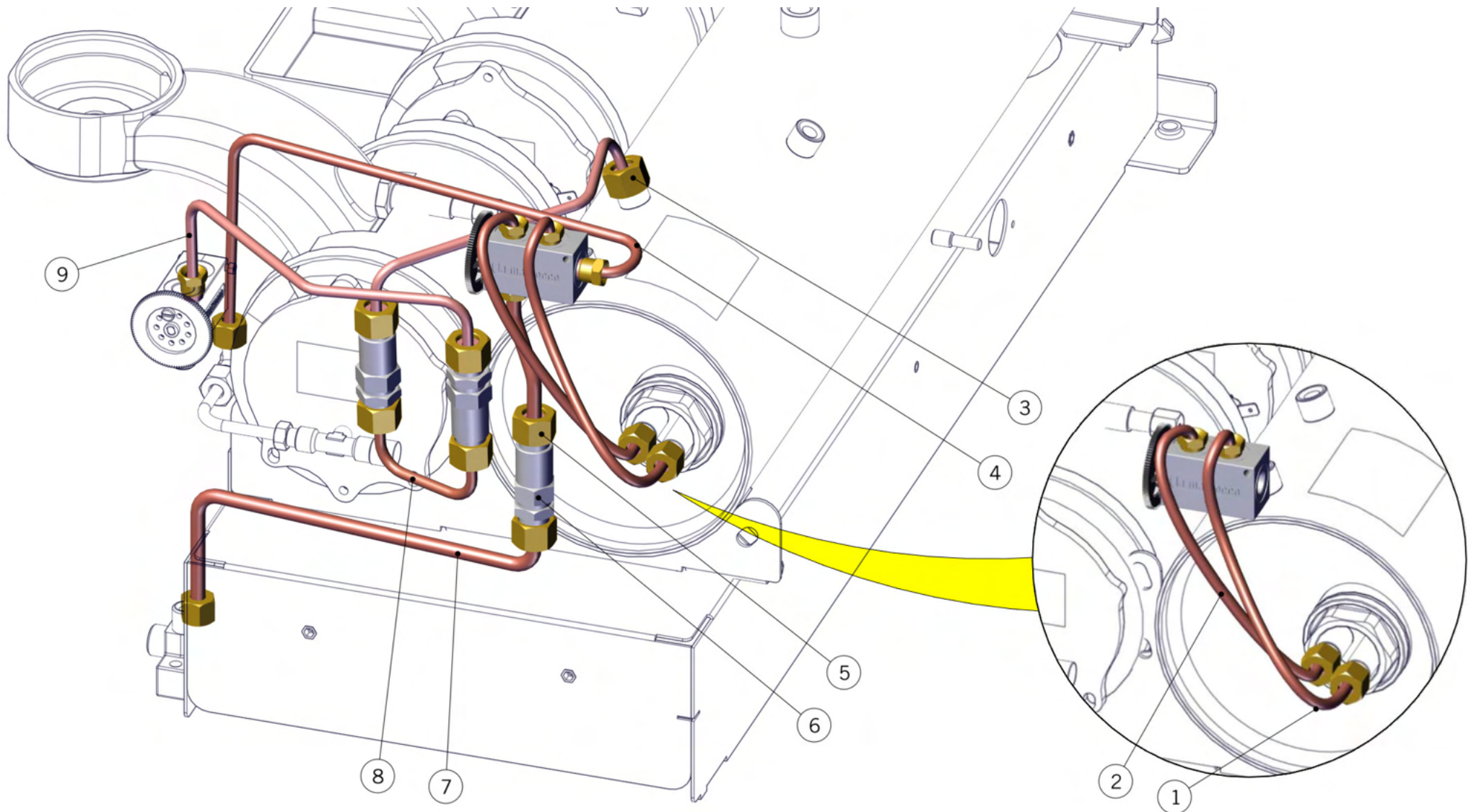
1	T.1.004	TUBE CHECK V. AUTOFILL SOLENOID V.-S.B.	TUBO V.RIT. EV RIEMP. - CALDAIA VAPORE
2	L032/P.01	CHECK VALVE G3/8M TREATED	VALVOLA DI RITEGNO G3/8M TRATTATA
3	T.1.003	TUBE AUTOFILL SOLENOID V.-CHECK VALVE	TUBO EV RIEMP. - VALVOLA DI RITEGNO
4	T.1.195	TUBE AUTOFILL SOLENOID V. -MIXING V. GB5	TUBO EV RIEMPIMENTO - V.MISCELAZIONE GB5
5	T.1.194	TUBE MIXING VALVE - TEA SOLENOID V. GB5	TUBO V. MISCELAZIONE - EV TE' GB5
6	L180/1	WASHER 22X17X1,5 COPPER	RONDELLA 17X22X1,5 RAME
7	T.1.193	TUBE INLET MANIFOLD - MIXING VALVE GB5	TUBO ANCORAGGIO - V. MISCELAZIONE GB5
8	T.1.220	TUBE RGT C.B.- CROSS FITT. MULTI B. GB5	TUBO DX C.C. -CROCIERA C.SINGOLE GB5
9	A.2.002.01	TEE FITTING R1/4M WR13 BRASS TREATED	RACCORDO A T R1/4M CH13 OTTONE TRATT.
10	T.1.221	TUBE CROSS FITTING MULTI B. GB5	TUBO CROCIERA CALDAIE SINGOLE GB5
11	T.1.222	TUBE 3GRP CROSS FITTING MULTI B. GB5	TUBO 3 GRUPPI CROCIERA C.SINGOLE GB5
12	T.1.216	TEE FITT. TUBE 2GRP-CHECK V. MULTI B.GB5	TUBO 2GR A T - V. RITEGNO C.SINGOLE GB5
	T.1.217	TEE FITT. TUBE 3GRP-CHECK V. MULTI B.GB5	TUBO 3GR T - V. RITEGNO C.SINGOLE GB5
13	T.1.002.01	TUBE TEE FITTING-AUTOFILL SOLENOID V.TR.	TUBO T - EV RIEMP. TRATTATO
14	VITE4X6	SCREW M4X6 CHEESE BRASS	VITE M4X6 TC A TAGLIO OTTONE
15	F.1.016	THERMOSTATIC VALVE ADJUSTMENT KNOB	GHIERA REGOLAZIONE VALVOLA THERMOSTATICA
16	F.3.008	THERMOSTATIC VALVE PIN	SPINA X VALV. THERMOSTATICA
17	H.1.007	VITON OR-THERMOSTATIC VALVE	OR VITON X VALV. THERMOST. GS/3
18	A.2.004.01	FITTING G1/4F-G3/8F WR22 BRASS TREATED	RACCORDO G1/4F-G3/8F CH22 OTTONE TRATT.
19	L100/1A	WASHER 13,5X19X1,5 COPPER	RONDELLA 13,5X19X1,5 RAME
20	A.5.019	NIPPLE G1/4M-G1/4M WR19 H21.5 BRASS TR.	NIPPLO G1/4M-G1/4M CH19 H21.5 OTT. TR.
21	VITE3X30	SCREW M3X30 SLOTTED COUNTERSUNK BRASS	VITE M3X30 TS A TAGLIO OTTONE
22	B.2.007.01	MIXING VALVE BODY TREATED	CORPO VALVOLA MISCELATRICE TRATTATA
23	C.1.335	STAFFA MISCELAZIONE ACQUA CALDA GB5	STAFFA MISCELAZIONE ACQUA CALDA GB5
24	DADO3M	NUT M3 H3 WR6 BRASS	DADO M3 H3 CH6 OTTONE
Item	Part number/Codice	Description	Descrizione



la marzocco

handmade in florence

HYDRAULIC ASSEMBLY - SINGLE BOILER VERSION





la marzocco

handmade in florence

HYDRAULIC ASSEMBLY - SINGLE BOILER VERSION

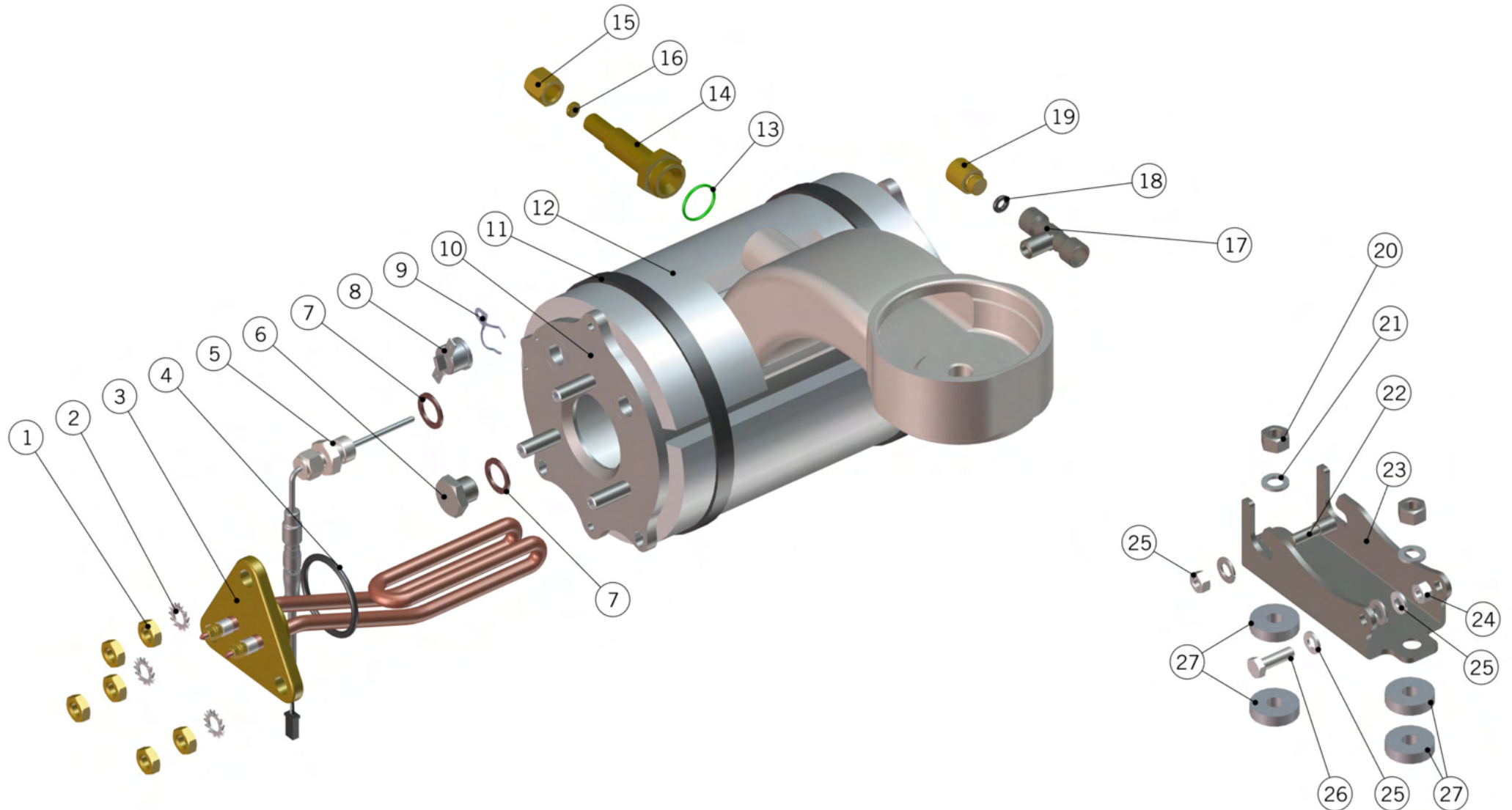
Impianto Idraulico	1	T.1.214	TUBE MIX V.- PRE-HEATER MULTI B. GB5	TUBO V.MISC. - PRERISC. C.SINGOLE GB5
	2	T.1.215	TUBE BIS MIX V. -PRE HEATER MULTI B. GB5	TUBO BIS V.MISC. -PRERISC. C.SINGOLE GB5
	3	T.1.085	TUBE STEAM B. - HOT WATER CHECK VALVE	TUBO C.VAPORE - V.RITEGNO ACQUA CALDA
	4	T.1.218	TUBE MIX V. - CROSS FITT. MULTI B. GB5	TUBO V.MISC. - CROCIERA C.SINGOLE GB5
	5	T.1.223	TUBE INLET CHECK V. -MIX V. MULTI B. GB5	TUBO INGR. V.RIT. -V.MISC. C.SINGOLE GB5
	6	L032/P.01	CHECK VALVE G3/8M TREATED	VALVOLA DI RITEGNO G3/8M TRATTATA
	7	T.1.219	TUBE INLET MANIFOLD-CHECK V. MULTI B.GB5	TUBO ANCORAGGIO - V.RIT C.SINGOLE GB5
	8	T.1.086	TUBE S.B. CHECK V. - TEA MIX V. CHECK V.	TUBO V.RITEGNO C.V.-V.RITEGNO V.MISC.TE'
	9	T.1.192	TUBE CHECK V. - MIXING VALVE GB5	TUBO V.RITEGNO - V. MISCELAZIONE GB5
	Item	Part number/Codice	Description	



la marzocco

handmade in florence

COFFEE BOILER ASSEMBLY - SINGLE BOILER VERSION





la marzocco

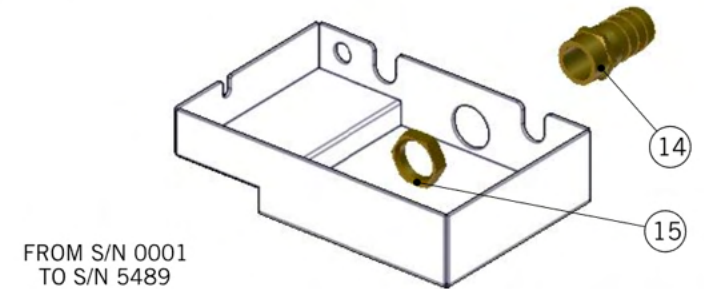
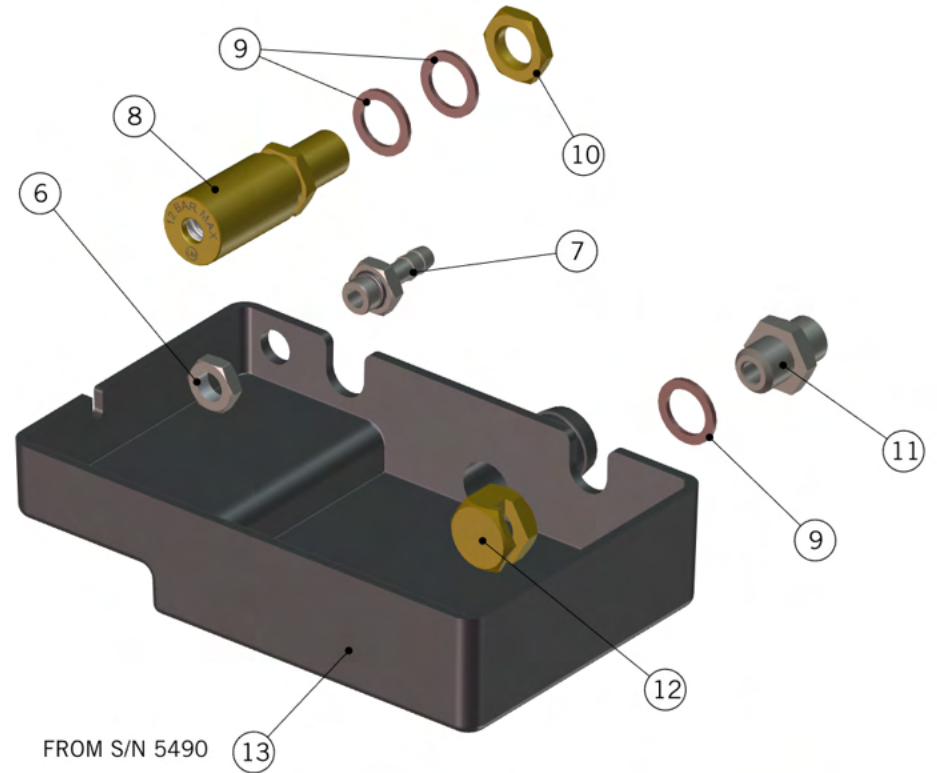
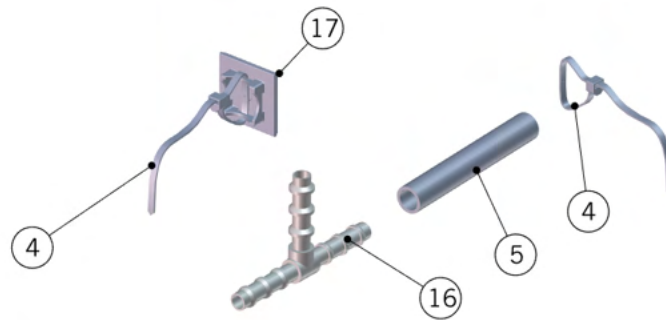
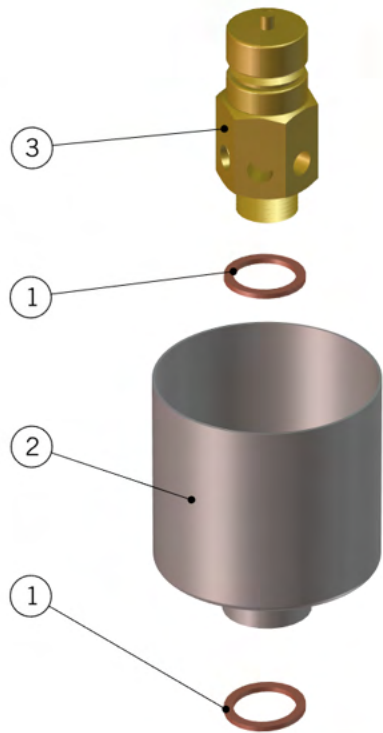
handmade in florence

COFFEE BOILER ASSEMBLY - SINGLE BOILER VERSION

Caldaia Caffè

1	I.1.025	NUT M8 H5 WR13 BRASS	DADO BASSO M8 H5 CH13 (UNI5589) OTTONE
2	ROND_DENT_8	TOOTH LOCK WASHER 8X14,7X2 S/S A2	ROND.DENTATA 8,5X14,7X2 INOX A2
3	E.6.004.02	HEATING ELEMENT W800 V220 TRIANG.FL. RP	RES. EL. W800 V220 FL. TRIANG. RP
	E.6.006.02	HEATING ELEMENT W500 V200 TRIANG.FL. RP	RES. EL. W500 V200 FL. TRIANG. RP
4	F.2.014	O-RING 3,53X37,69 VITON 70 ShA	O-RING 3,53X37,69 VITON 70 ShA
5	E.1.005	PT1000 TEMPERATURE PROBE	SONDA DI TEMPERATURA PT1000
6	A.5.022	S/S CAP 1/4	TAPPO 1/4 AISI 316L
7	L100/1A	WASHER 13,5X19X1,5 COPPER	RONDELLA 13,5X19X1,5 RAME
8	L276.01	KLIXON TRIP FREE 130° THERMOSTAT	TERMOSTATO KLIXON TRIP FREE TEMP 130°
9	L276.01S	L276.01 BRACKET	STAFFA SINGOLA A CLIP X L276.01
10	L.1.001.01.R	COFFEE BOILER FLAT SIDE 1GR	CALDAIA CAFFÈ FOND. PIATTI 1GR
11	A.5.016.01	PLASTIC FASTENER 750X7.5	FASCETTA NERA 750x7.5 NYLON
12	F.7.001	INSULATION PANEL STRADA COFFEE BOILER	ISOLANTE C. CAFFÈ STRADA
13	H.1.022	O-RING 1,78X15,60 VITON 70ShA	O-RING 1,78X15,60 VITON 70ShA
14	B.2.017	DRAIN FITTING GS3 MP BOILER	RACCORDO PER SCARICO MP PER CALDAIA GS3
15	L134	G1/8" F NUT - 4,5mm HOLE	RACCORDO F.1/8 ES.14 FORO 4.5
16	L134/4	8mm BLIND FERRULE	GHIANDINA DM.8 CHIUSA - NICK . AL
17	A.2.012.01	TEE FITTING G1/8M-G1/8F WR10 BRASS TR.	RACCORDO A T G1/8M-G1/8F-G1/8F CH10 TR.
18	L171/2	SWIVEL WAND VITON O-RING	GUARNIZIONE OR 8-106 VITON
19	A.1.021	STRADA STM BOILER DRAIN VALVE CAP	TAPPO RUBINETTO SVUOTAGGIO C.CAFFÈ STRA
20	L1002	NUT M8 H8 WR13 S/S A2	DADO M8 H8 CH13 INOX A2
21	L1003	WASHER 8,5X14X1,5 S/S A2	RONDELLA 8,5X14X1,5 INOX A2
22	A.5.011	COFFEE BOILER PIN STRADA S/S	PERNO CALDAIA CAFFÈ STRADA AISI 304
23	C.1.102	BRACKET CENTRAL COFFEE BOILER STRADA	STAFFA CENTRALE CALDAIE CAFFÈ STRADA
24	I.1.049	NUT M6 H5 WR10 S/S A2	DADO M6 H5 CH10 INOX A2
25	RONDELLA6X12	WASHER 6,4X12X1,5 S/S A2	RONDELLA 6,4X12X1,5 INOX A2
26	I.1.058	SCREW M6X20 HEX HEAD S/S	VITE M6X20 TE INOX
27	F.6.001.01	SPACER 8,4X25X6 AL	DISTANZIALE 8,4X25X6 ALLUMINIO
Item	Part number/Codice	Description	Descrizione

FITTINGS AND VALVES





la marzocco

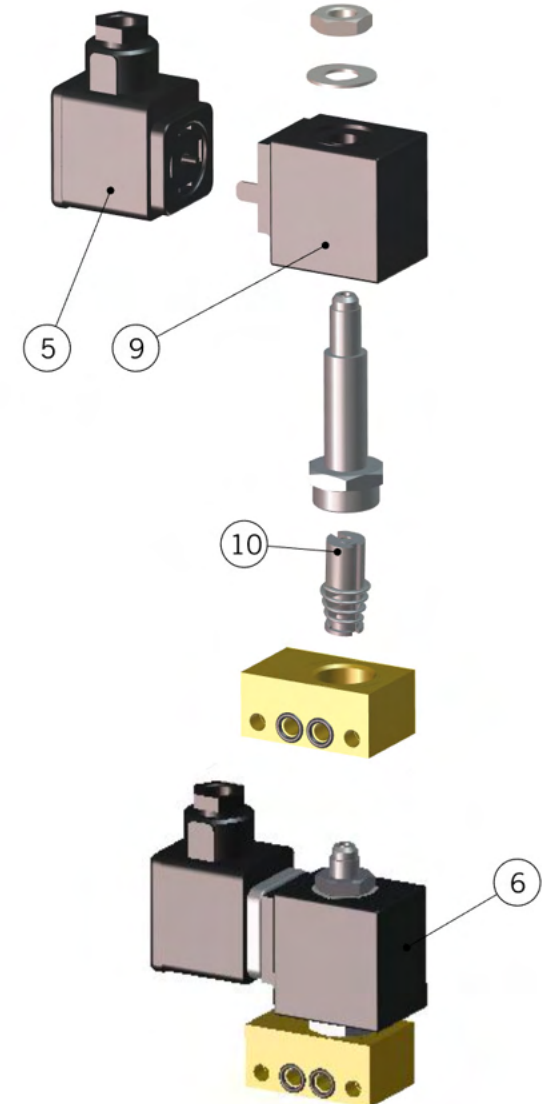
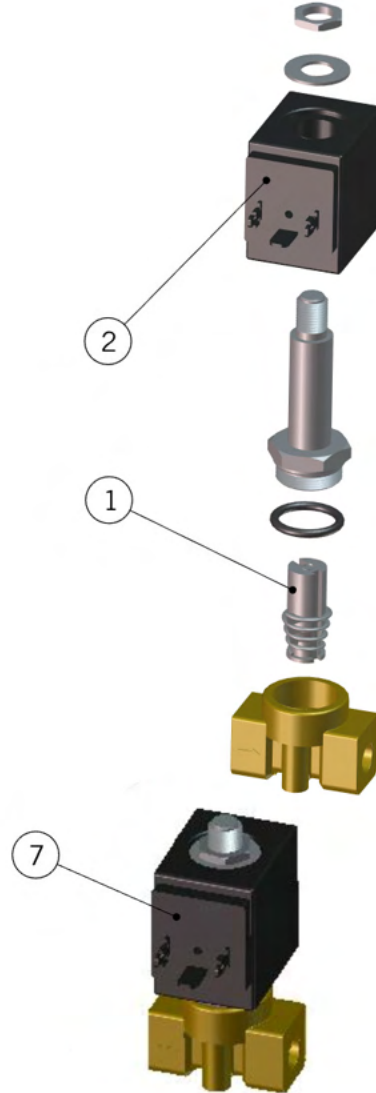
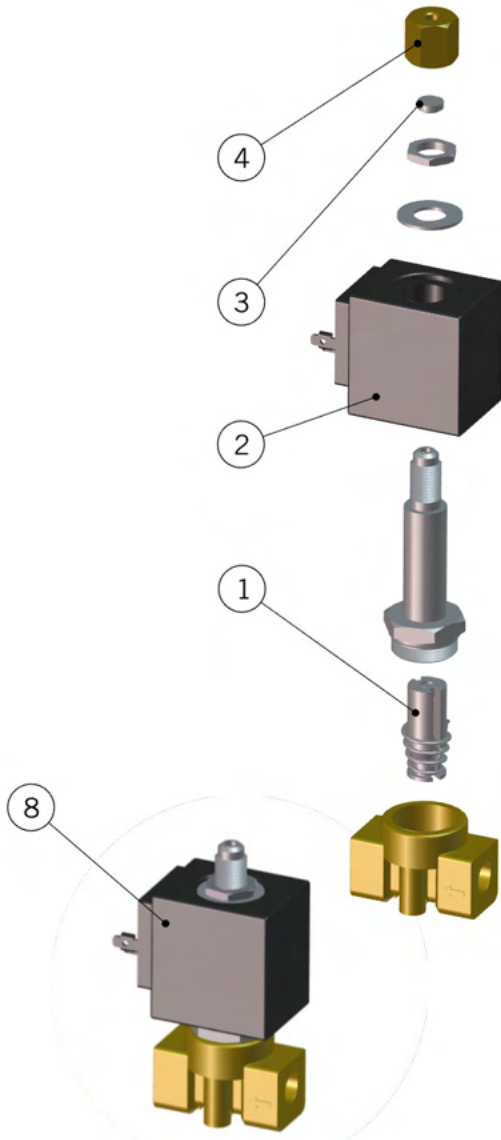
handmade in florence

FITTINGS AND VALVES

Raccordi e Valvole

1	L180/1	WASHER 22X17X1,5 COPPER	RONDELLA 17X22X1,5 RAME
2	F.1.004	CUP SAFETY VALVE	BICCHIERE VALVOLA SICUREZZA
3	B.2.024	SAFETY VALVE G3/8 1,8 BAR TEA	VALVOLA DI SICUREZZA G3/8 1,8 BAR TEA
4	L338/L100	PLASTIC FASTENER 100X2.5	FASCETTA FERMAFILO 98X2.5
5	T.4.001	ANTISUCTION VALVE SILICONE TUBE	TUBO SILICONE 5X8 V. ANTIRISUCCHIO
6	L292/R	NUT G1/8 H4,5 WR14 BRASS NICKEL PLATED	DADO G1/8 H4,5 CH14 OT.NICH.(PORTAGOMMA)
7	L292	GS/3 TUBE FITTING	PORTAGOMMA GS/3
8	L140_C	COMPLETE EXPANSION VALVE	VALVOLA ESPANSIONE COMPLETA
9	L100/1A	WASHER 13,5X19X1,5 COPPER	RONDELLA 13,5X19X1,5 RAME
10	L146	NUT G1/4 H4,5 WR19 BRASS	DADO G1/4 H4,5 CH19 OTTONE
11	L037/3.01	NIPPLE G1/4M-G1/4M WR19 H25.5 BRASS TR.	NIPPLO G1/4M-G1/4M CH19 H25.5 OT. TR.
12	L037/3R	BREAK-DRAIN FOR SOLENOID VALVE	ROMPIGETTO ES.19 MM.
13	F.1.002.03	GB5 DRAIN BOX	POZZETTO DI SCARICO GB5
14	L037/2PGR	HOSE HOLDER WITH 20 MM. HOLE	PORTAGOMMA DM.MM 20 ES.22
15	L037/D	NUT G1/2 H6 WR24 BRASS	DADO G1/2 H6 CH24 OTTONE
16	A.7.001.01	T FITTING FOR SILICONE TUBE	PORTAGOMMA A T PER TUBO SILICONE
17	5.V010	FASTENER ADHESIVE SUPPORT	INCOLLINO
Item	Part number/Codice	Description	Descrizione

FITTINGS AND VALVES





la marzocco

handmade in florence

FITTINGS AND VALVES

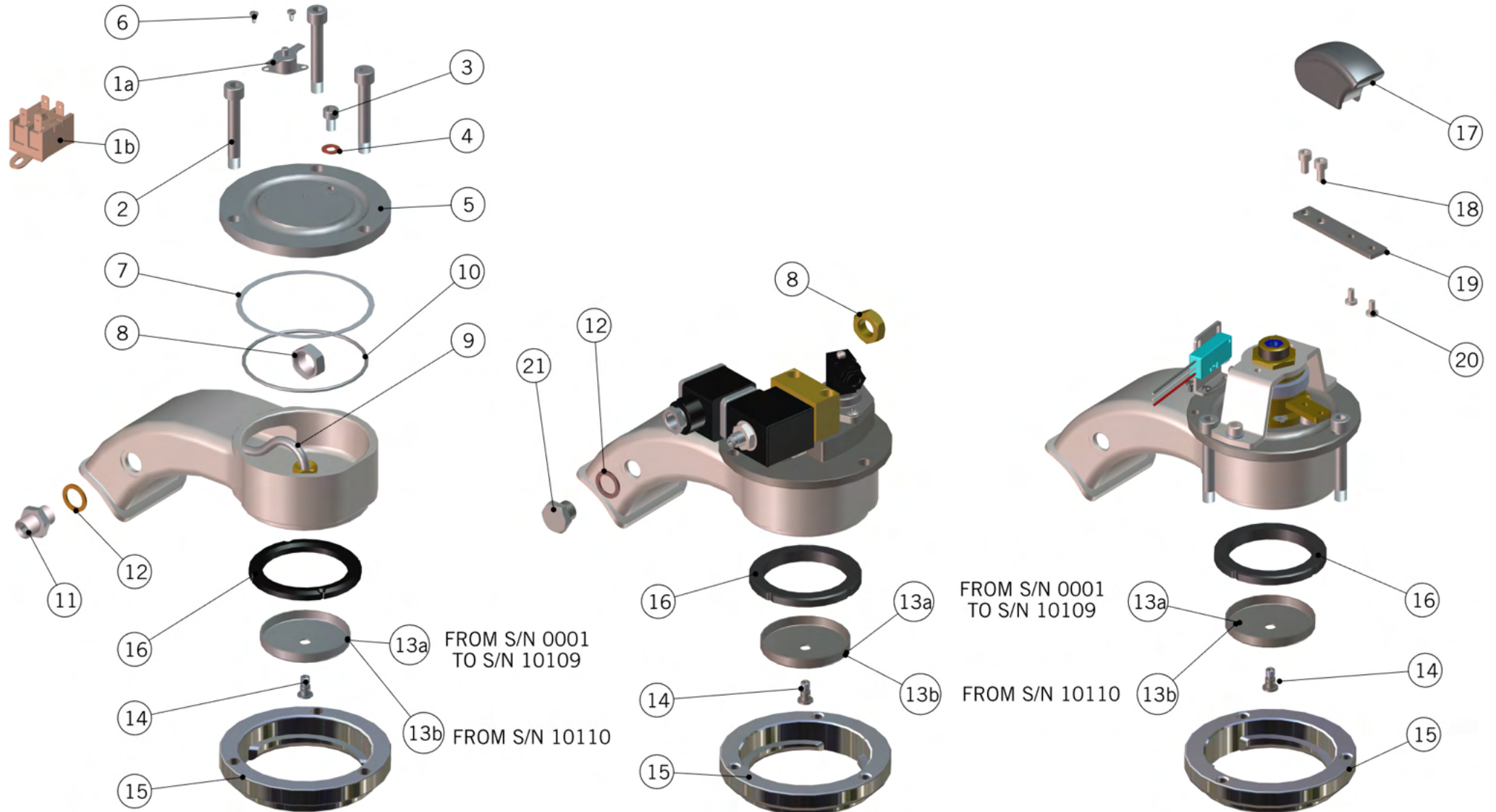
Raccordi e Valvole	1	L100/H	3-WAY SOLENOID VALVE PLUNGER	NUCLEO MOBILE X EV.3 VIE
	2	L100/G.01	SV COIL 220-240V 8W UL CSA VDE	BOBINA EV 220-240V 8W UL CSA VDE
		L100/G200	SOLENOID COIL 200V	BOBINA PER ELETTROVALVOLA 200V
	3	L134/4	8mm BLIND FERRULE	GHIANDINA DM.8 CHIUSA - NICK . AL
	4	L134	G1/8" F NUT - 4,5mm HOLE	RACCORDO F.1/8 ES.14 FORO 4.5
	5	L205	SOLENOID VALVE CONNECTOR	CONNETTORE PER ELETTROVALVOLA
	6	B.2.004.02	SOLENOID VALVE ASSEMBLY, 90°, VDE	E.V. A 90° C/BOBINA VDE DA STAMPO
	7	L053.02	2-WAY SOLENOID VALVE 220/240V - 50/60HZ	ELETTROVALVOLA 2 VIE AISI 316L
		L053/200.01	2WAY SOLENOID VALVE 200VOLTS AISI 316L	ELETTROVALVOLE 2 VIE AISI 316L
	8	L100/E.02	3 WAY SOLENOID VALVE BDV 220/240AC 50-6	ELETTROVALVOLA 3 VIE CON BOBINA
L100/E200.01		3 WAY SOLENOID VALVE 200V	ELETTROVALVOLE 3 VIE	
9	L100/G.01	SV COIL 220-240V 8W UL CSA VDE	BOBINA EV 220-240V 8W UL CSA VDE	
10	B.2.004.P	SOLENOID VALVE PLUNGER (RUBY)	NUCLEO PER ELETT.VALVOLA RUBINO	
	Item	Part number/Codice	Description	Descrizione



la marzocco

handmade in florence

COFFEE BOILER - GROUP





la marzocco

handmade in florence

COFFEE BOILER - GROUP

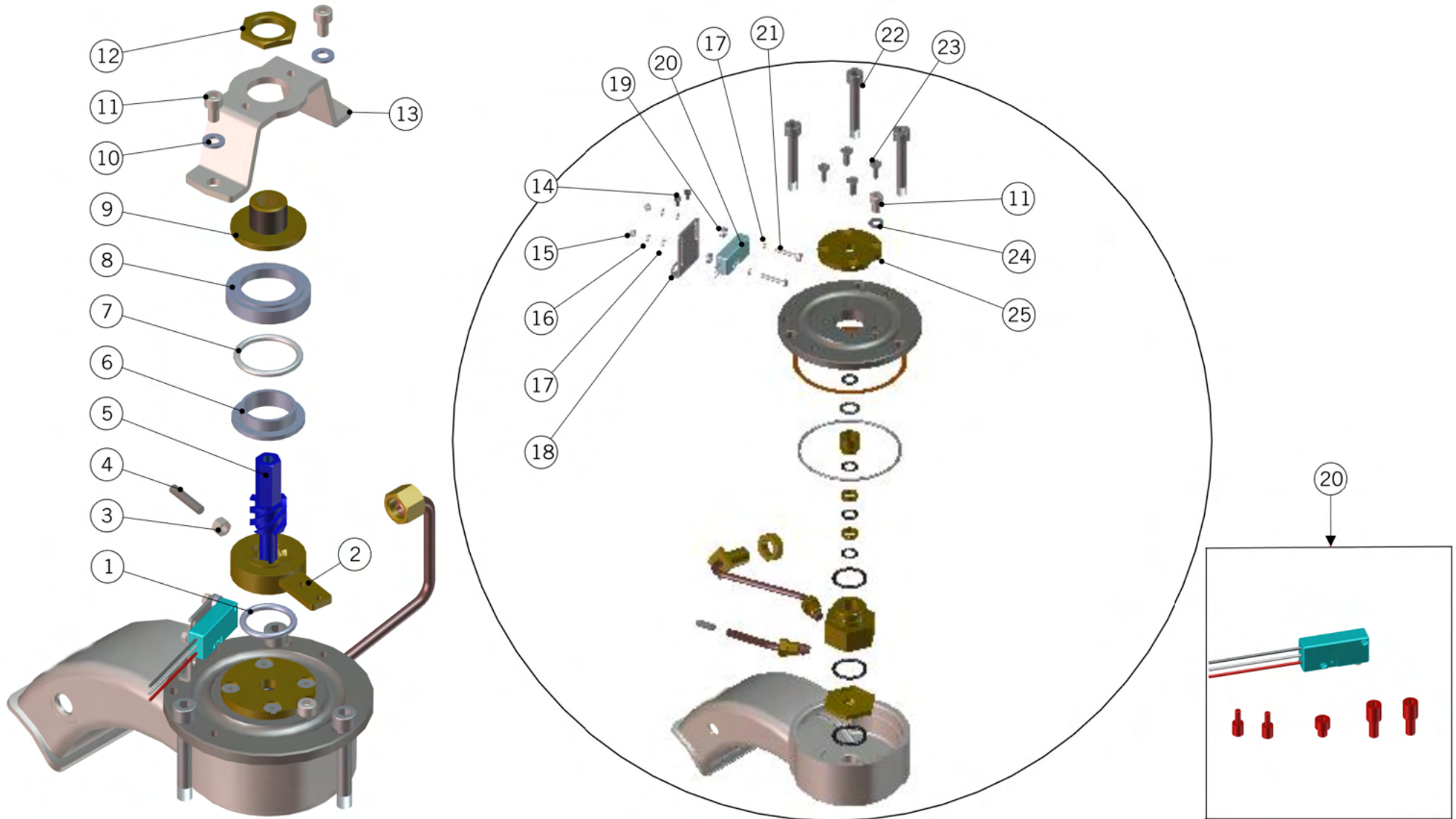
Caldia Caffè

1a	L276.01	KLIXON TRIP FREE 130° THERMOSTAT	TERMOSTATO KLIXON TRIP FREE TEMP 130°
1b	L276/B	BIPOLAR SAFETY THERMOSTAT	TERMOSTATO SICUREZZA C°130 BIP
2	L110.01	SCREW M8X52 SOCKET CAP S/S A2 70	VITE M8X52 TC A BRUGOLA INOX A2 70
3	L120/2	SCREW M6X10 SOCKET CAP S/S A2	VITE M6X10 TC A BRUGOLA INOX A2
4	L120/2A	WASHER 6,3X12X1 COPPER	RONDELLA 6,3X12X1 RAME
5	A.5.024	GROUP CAP AISI 316L	COPERCHIO GRUPPO AISI 316L
6	VITEAUT.2.9X4.5	SELF TAP. SCREW 2,9X4,5 PHIL.ROUND-PAN	VITEAUT. 2,9X4,5 TCB A CROCE ZINCATA
7	L103/B	FIBER GASKET 87X81X0,5	GUARNIZ. PIANA 87X81X0.5 NOVUS
8	L100/5	NUT G1/4 H8 WR20 BRASS	DADO G1/4 H8 CH20 OTTONE
9	TL29.01	INTERNAL GRP TUBE	TUBO ALIMENT/NE INTERNO GRUPPO IN TEA
10	L103/A	O-RING 2,62X75,87 VITON 70 ShA FDA	O-RING 2,62X75,87 VITON 70 ShA FDA
11	L037/3.01	NIPPLE G1/4M-G1/4M WR19 H25.5 BRASS TR.	NIPPLO G1/4M-G1/4M CH19 H25.5 OT. TR.
12	L100/1A	WASHER 13,5X19X1,5 COPPER	RONDELLA 13,5X19X1,5 RAME
13a	L107	DIFFUSION SCREEN	DOCCETTA
13b	F.3.040.01	COFFEE SHOWER SCREEN W/LOGO H6.5	DOCCETTA RINFORZATA C/LOGO H6.5
14	L106/V.02	S/S DIFFUSER SCREW	VITE DIFFUSORE ACC.INOX 304L DM.10
15	L109.01	BAYONET RING	ANELLO CROMATO
16	H.3.001	GROUP GASKET NBR 72/63x55x8	GUARNIZIONE SOTTOCOPPA NBR 72/63x55x8
	H.3.002	GROUP GASKET NBR 72/63x55x9	GUARNIZIONE SOTTOCOPPA NBR 72/63x55x9
	H.3.007	GROUP GASKET SILICONE 71,6/55x8,2	GUARNIZ. SOTTOCOPPA SILICONE 71,6/55x8,2
17	C.2.030	GB/5 BAKELITE PADDLE HANDLE	MANIGLIA PADDLE GB/5 BAKELITE
18	I.1.005	SCREW M5X10 SOCKET CAP S/S A2	VITE M5X10 TC A BRUGOLA INOX A2
19	F.3.025	S/S PADDLE LEVER GB/5 MM141	LEVA INOX PADDLE GB/5 MM 141
20	I.1.006	SCREW M4X8 PHILLIPS BUTTON HEAD S/S A2	VITE M4X8 TPB A CROCE INOX A2
21	A.5.022	S/S CAP 1/4	TAPPO 1/4 AISI 316L
Item	Part number/Codice	Description	Descrizione



la marzocco
handmade in florence

COFFEE BOILER - MP





la marzocco

handmade in florence

COFFEE BOILER - MP

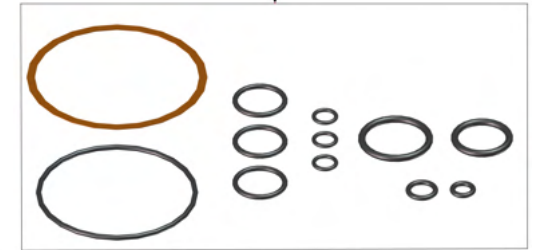
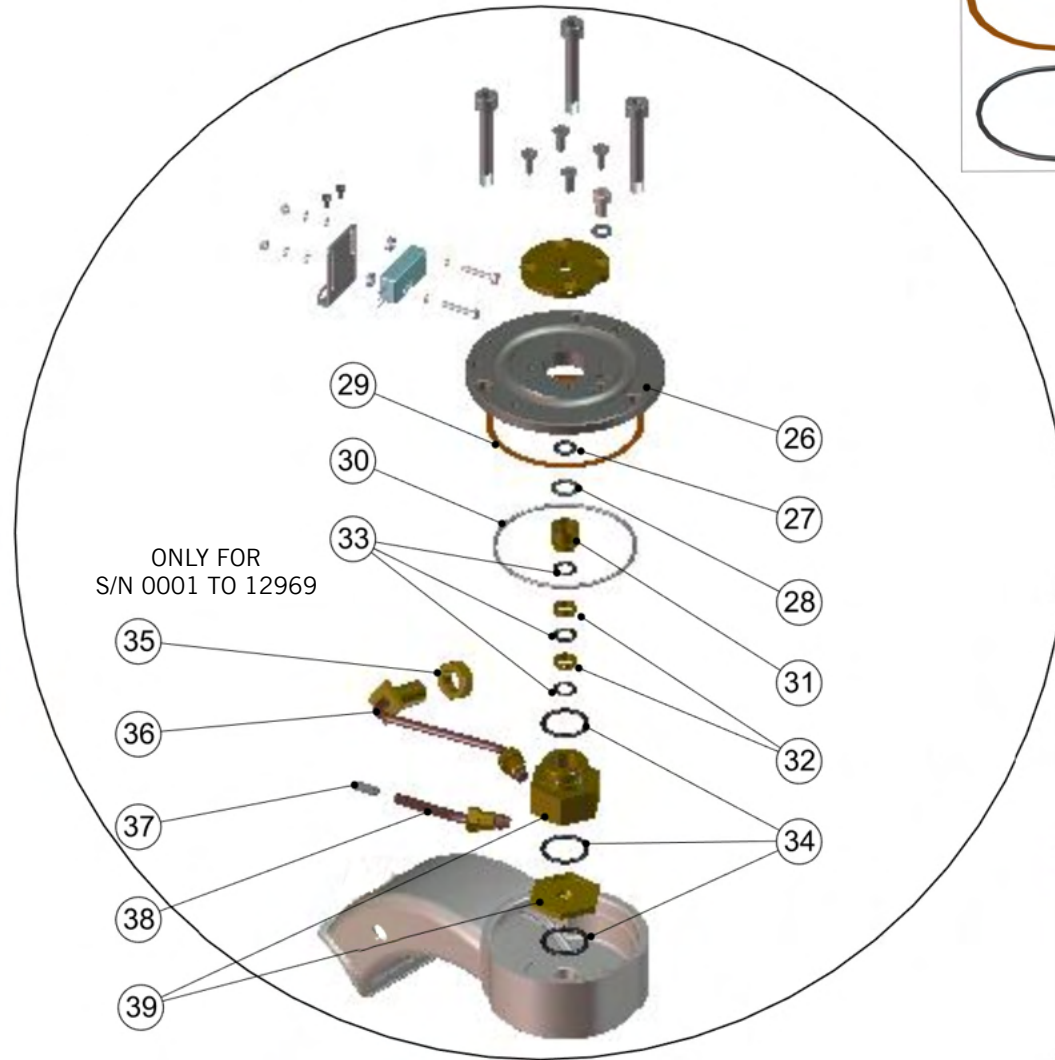
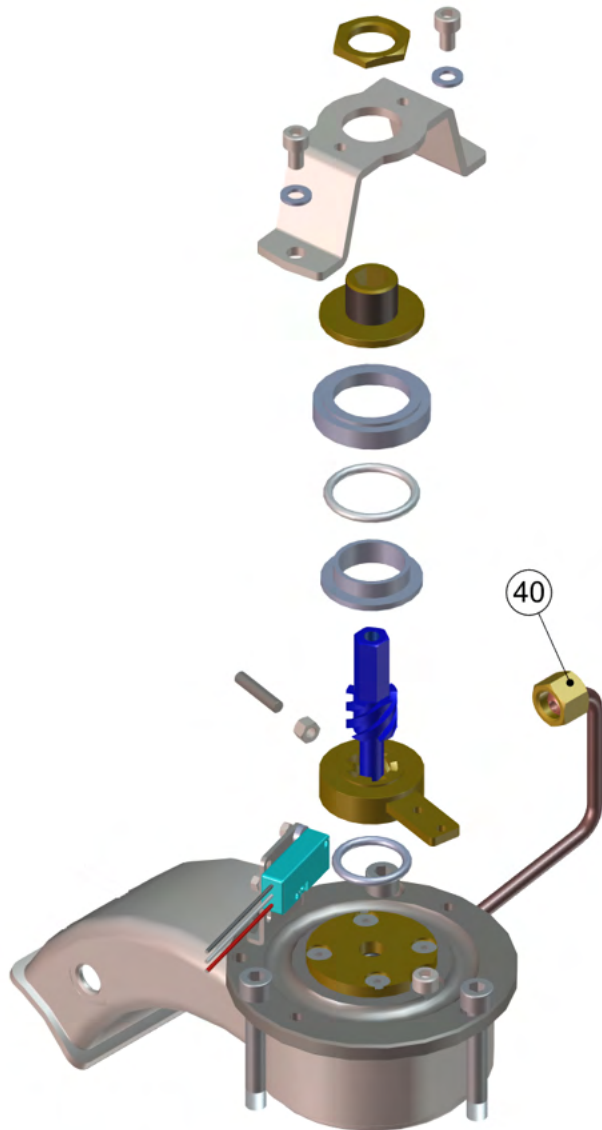
Caldaia Caffè

1	F.4.010	O-RING 23.42x3.53 PTFE	O-RING 3,53X23,42 PTFE
2	A.1.010	WORM NUT SCREW MP VALVE	MADREVITE SENZA FINE VALVOLA MP
3	DADO5M_INOX	NUT M5 H4 WR8 S/S A2	DADO M5 H4 CH8 INOX A2
4	A.5.005	PIN D5X23 THREAD M5X7,5 S/S	PERNO D5X23 FILETT. M5X7,5 INOX
5	A.5.003	SHAFT FOR PADDLE	ALBERINO PADDLE
6	F.4.009	PADDLE VALVE TEFLON RING D39	ANELLO TEFLON VALVOLA PADDLE D39
7	H.1.016	O-RING 3,53X29,74 NBR 70ShA	O-RING 3,53X29,74 NBR 70ShA
8	F.4.008	PADDLE VALVE TEFLON RING D45	ANELLO TEFLON VALVOLA PADDLE D45
9	A.1.014	BRONZE WASHER HEX PADDLE	ROND BRONZO GUIDA ES. PADDLE
10	RONDELLA6X12	WASHER 6,4X12X1,5 S/S A2	RONDELLA 6,4X12X1,5 INOX A2
11	L120/2	SCREW M6X10 SOCKET CAP S/S A2	VITE M6X10 TC A BRUGOLA INOX A2
12	A.4.003	NUT M20 H6,5 WR27 BRASS	DADO M20 H6,5 CH27 OTTONE
13	F.3.020	BRACKET GROUP MP	CAVALLOTTO GRUPPO MP
14	VITE3X10	SCREW M3X10 PHILLIPS ROUND-PAN S/S A2	VITE M3X10 TCB A CROCE INOX A2
15	DADO3M	NUT M3 H3 WR6 BRASS	DADO M3 H3 CH6 OTTONE
16	I.3.007	TOOTH LOCK WASHER 3,4X6X0,5 GALVANIZED	ROND.DENTATA 3,4X6X0,5 ZINCATA
17	RONDINOXGS/3	WASHER 3X6X0,5 S/S A2	RONDELLA 3X6X0,5 INOX A2
18	C.1.067	BRACKET MICROSWITCH GS3	SUPPORTO MICROINTERRUTTORE GS3
19	I.3.004	SPACER 3,5X8X2,5 AL	DISTANZIALE 3,5X8X2,5 ALLUMINIO
20	E.2.039	MICROSWITCH KIT WITH LUGS	KIT MICROINTERRUTTORE C/CAPICORDA
21	I.1.055	SCREW M3X20 HEX HEAD S/S A2	VITE M3X20 TE INOX A2
22	L110.01	SCREW M8X52 SOCKET CAP S/S A2 70	VITE M8X52 TC A BRUGOLA INOX A2 70
23	VITE5X10	SCREW M5X10 SOCKET COUNTERSUNK S/S A2	VITE M5X10 TS A BRUGOLA INOX A2
24	L120/2A	WASHER 6,3X12X1 COPPER	RONDELLA 6,3X12X1 RAME
25	A.1.015	BRASS WASHER FOR PADDLE	ROND OTT PREMICORPO VALVOLA PADDLE
Item	Part number/Codice	Description	Descrizione

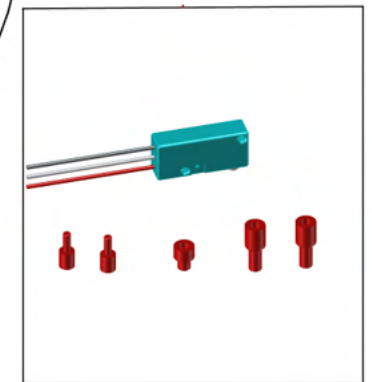


la marzocco
handmade in florence

COFFEE BOILER - MP



41





la marzocco

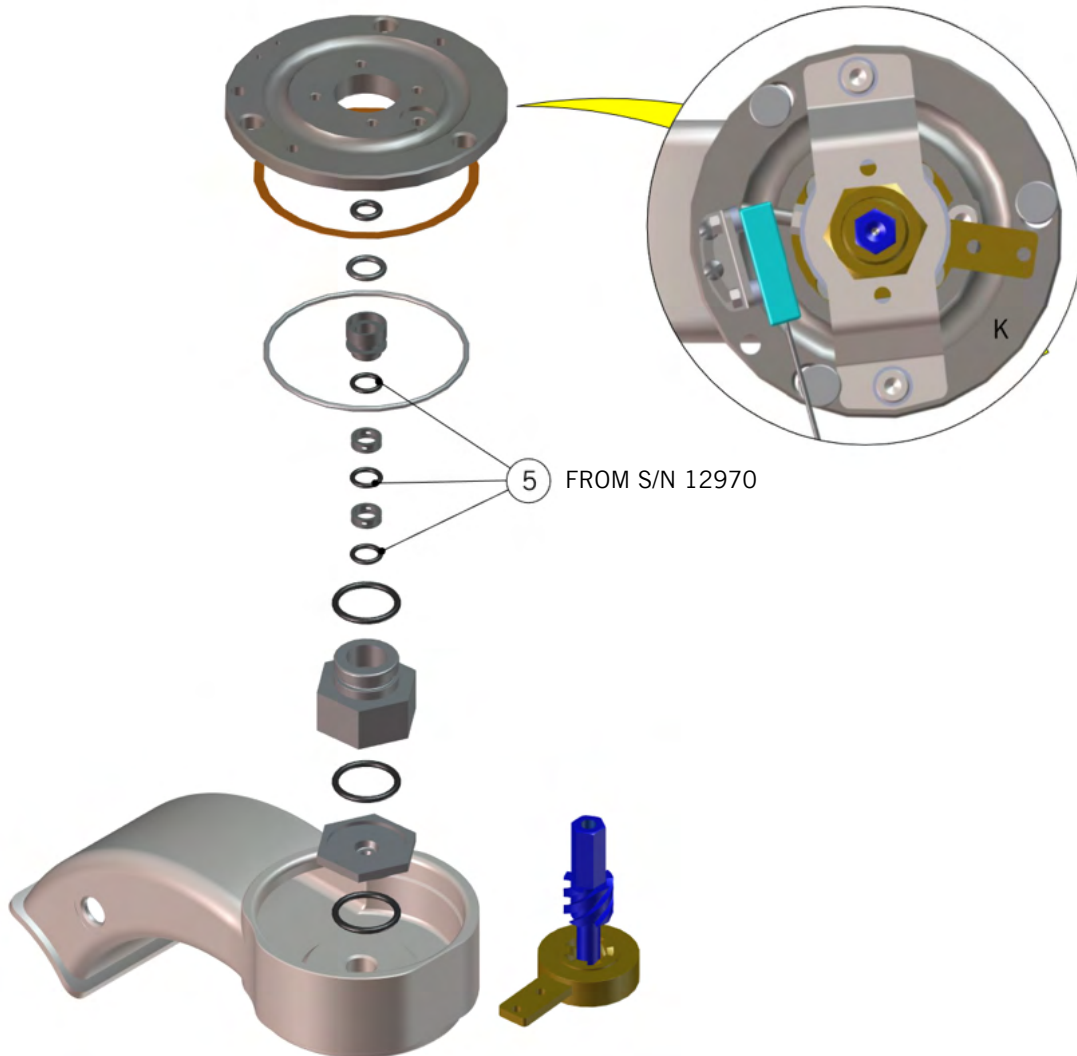
handmade in florence

COFFEE BOILER - MP

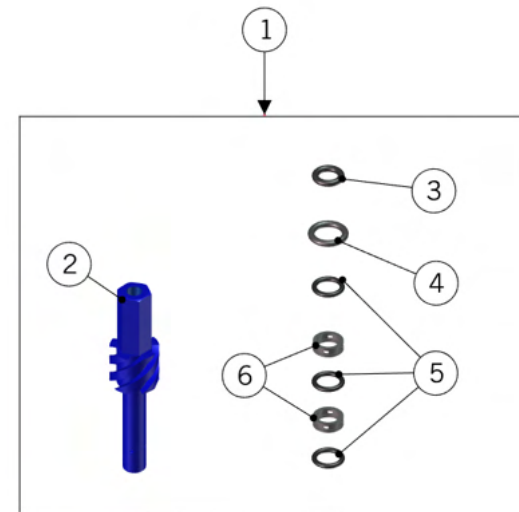
Caldaia Caffè

26	A.5.026	PADDLE GROUP CAP S/S	COPERCHIO GRUPPO MP INOX
27	H.1.018	ORING 109 (2-110) EPDM 70 SHA	OR 109 - (2-110) IN EPDM - 70SHA
28	H.1.019	O-RING 10.77x2.62 (2-111) EPDM 70SHA	O-RING 10.77x2.62 (2-111) EPDM 70SHA
29	L103/B	FIBER GASKET 87X81X0,5	GUARNIZ. PIANA 87X81X0.5 NOVUS
30	L103/A	O-RING 2,62X75,87 VITON 70 ShA FDA	O-RING 2,62X75,87 VITON 70 ShA FDA
31	B.2.015.03	PADDLE GLAND AISI304L ELECT.POL.	PREMISTOPPA PADDLE AISI304L ELETTROLUC.
32	B.2.014.03	SPACER 9,3X12X4 S/S	DISTANZIALE 9,3X12X4 INOX
33	H.1.011.01	O-RING 9,25x1,78 (2-012) EPDM 70SHA	O-RING 9,25x1,78 (2-012) EPDM 70SHA
34	H.1.010.01	ORING 3087 (2-118) EPDM 70 SHA	OR3087 EPDM 70 SHA PARKER
35	L100/5	NUT G1/4 H8 WR20 BRASS	DADO G1/4 H8 CH20 OTTONE
36	T.1.100.01	DRAIN TUBE MP VALVE	TUBO SCARICO VALVOLA MP
37	F.2.003	GICLEUR 0,6 M5 RUBY + S/S	GICLEUR 0,6 M5 RUBINO + INOX
	F.2.003.08	GICLEUR 0,8 M5 RUBY AND S/S	GICLEUR 0,8 M5 RUBINO E INOX
38	T.1.101.01	TUBE WATER INLET MP VALVE	TUBO CARICO ACQUA VALVOLA MP
39	B.2.012.R	PADDLE VALVE BODY + ADAPTOR	CORPO VALV. PADDLE + ADATTATORE
40	T.1.102	DRAIN TUBE MP GROUP	TUBO SCARICO GRUPPO MP
41	SA600.01.K	PADDLE REBUILD KIT	PADDLE REBUILD KIT
Item	Part number/Codice	Description	Descrizione

COFFEE BOILER - MP



All machines produced after March 2015 will have the group caps marked with a 'K' to indicate that they have been fitted with the new o-rings.



PLEASE CONTACT AFTER SALES DEPARTMENT FOR FURTHER INFORMATION.



la marzocco

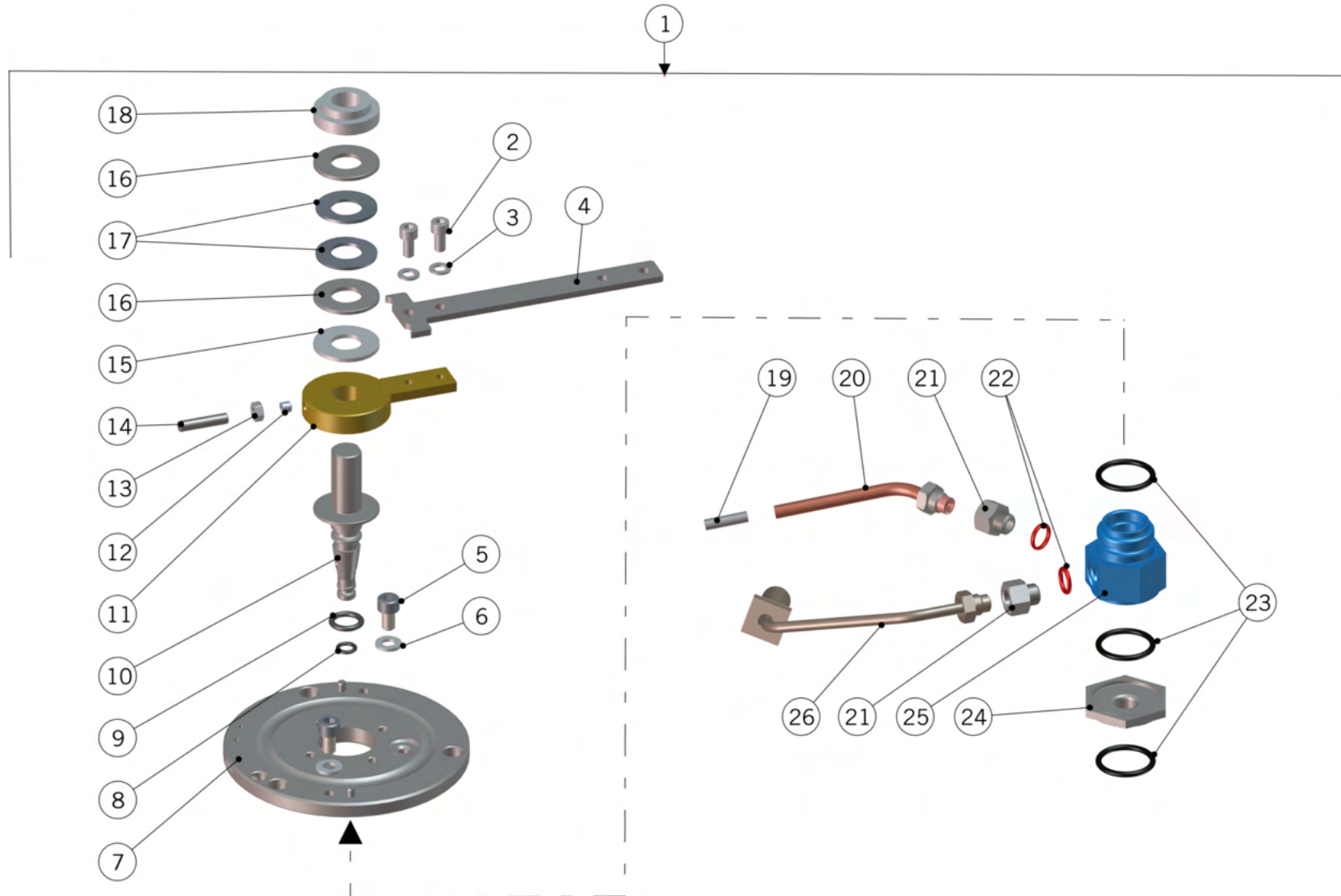
handmade in florence

COFFEE BOILER - MP

Caldaia Caffè	1	926	KIT PADDLE LINEA/GB5/GS3	KIT PADDLE LINEA/GB5/GS3
	2	A.5.003	SHAFT FOR PADDLE	ALBERINO PADDLE
	3	H.1.018	ORING 109 (2-110) EPDM 70 SHA	OR 109 - (2-110) IN EPDM - 70SHA
	4	H.1.019	O-RING 10.77x2.62 (2-111) EPDM 70SHA	O-RING 10.77x2.62 (2-111) EPDM 70SHA
	5	H.1.024	O-RING 9,25x1,78 (K#012) KALREZ 6230	O-RING 9,25x1,78 (K#012) KALREZ 6230
	6	B.2.014.03	SPACER 9,3X12X4 S/S	DISTANZIALE 9,3X12X4 INOX
	Item	Part number/Codice		Description

PLEASE CONTACT AFTER SALES DEPARTMENT FOR FURTHER INFORMATION.

COFFEE BOILER - RETROFIT KIT CONICAL PADDLE MP





la marzocco

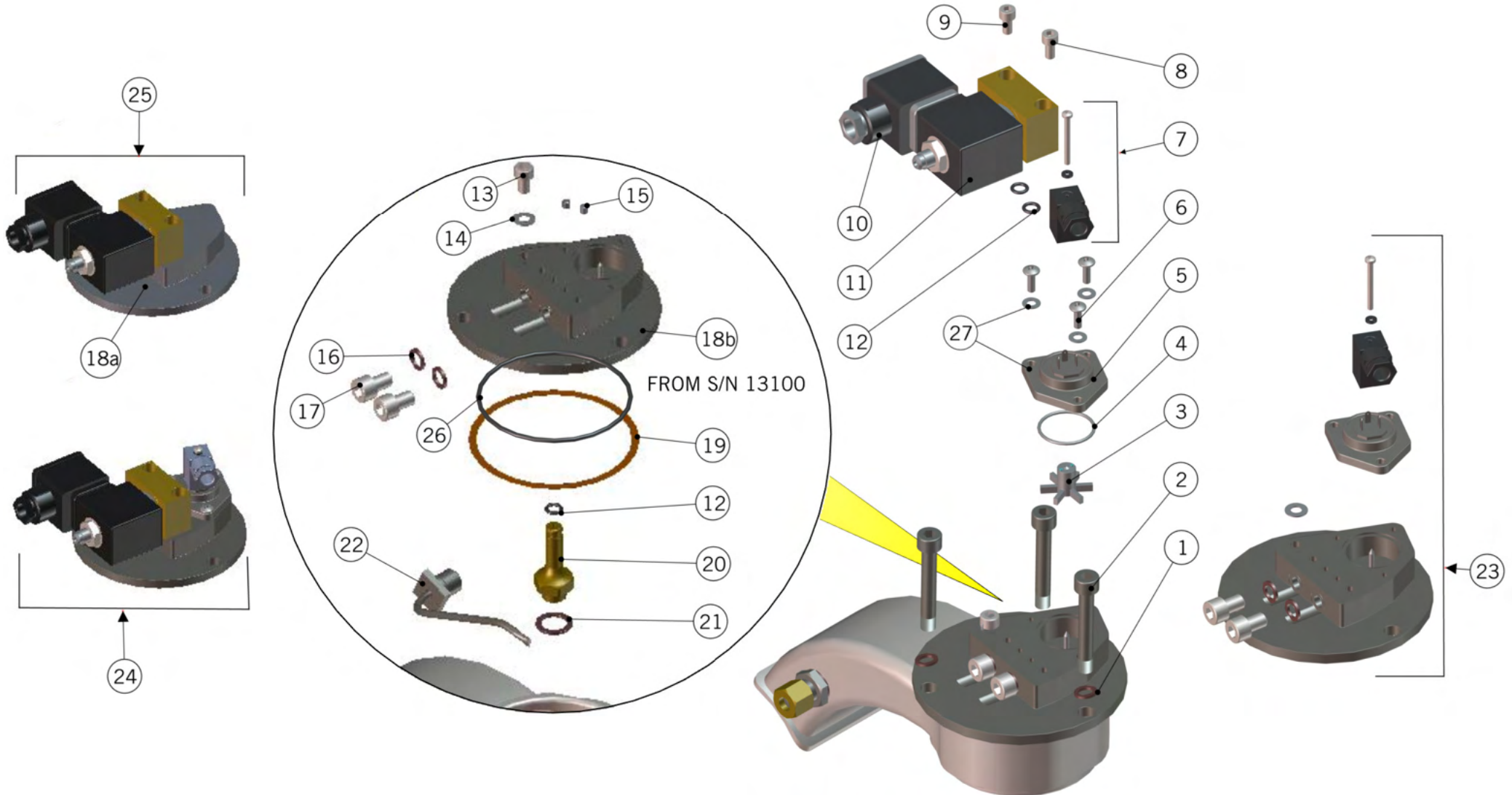
handmade in florence

COFFEE BOILER - RETROFIT KIT CONICAL PADDLE MP

Paddle Conico

1	934	RETROFIT KIT CONICAL PADDLE LINEA / GB5	RETROFIT KIT PADDLE CONICI LINEA / GB5
2	I.1.005	SCREW M5X10 SOCKET CAP S/S A2	VITE M5X10 TC A BRUGOLA INOX A2
3	I.1.039	WASHER 5,4X10X1 S/S A2	RONDELLA 5,4X10X1 INOX A2
4	C.1.267	LEVER S/S CONICAL PADDLE VALVE LINEA PB	LEVA INOX VALVOLA PADDLE CONICO LINEA PB
5	L120/2	SCREW M6X10 SOCKET CAP S/S A2	VITE M6X10 TC A BRUGOLA INOX A2
6	RONDELLA6X12	WASHER 6,4X12X1,5 S/S A2	RONDELLA 6,4X12X1,5 INOX A2
7	A.5.026	PADDLE GROUP CAP S/S	COPERCHIO GRUPPO MP INOX
8	H.1.006	ORING 2025, 105, 2-010 VITON	O-RING PER CANOTTO
9	H.1.018	ORING 109 (2-110) EPDM 70 SHA	OR 109 - (2-110) IN EPDM - 70SHA
10	A.5.048	SHAFT CONICAL PADDLE VALVE	ALBERO VALVOLA PADDLE CONICO
11	F.8.005	LEVER CONICAL PADDLE VALVE	LEVA VALVOLA PADDLE CONICO
12	I.1.016	SOCKET GRUB SCREW M5X5 S/S A2	GRANO M5X5 A BRUGOLA INOX A2
13	DADO5M_INOX	NUT M5 H4 WR8 S/S A2	DADO M5 H4 CH8 INOX A2
14	A.5.005	PIN D5X23 THREAD M5X7,5 S/S	PERNO D5X23 FILETT. M5X7,5 INOX
15	I.6.005	WASHER 14,1X30X2 PTFE	RONDELLA 14,1X30X2 PTFE
16	I.1.091	WASHER 14,2X30X2 S/S	RONDELLA 14,2X30X2 INOX
17	I.5.004	BELLEVILLE SPRING	MOLLA A TAZZA PADDLE CONICO 28X14,2X1,5
18	F.4.012	BUSH LEVER CONICAL PADDLE VALVE	BOCCOLA LEVA VALVOLA PADDLE CONICO PB
19	F.2.003	GICLEUR 0,6 M5 RUBY + S/S	GICLEUR 0,6 M5 RUBINO + INOX
20	T.1.187	TUBE WATER INLET MP VALVE	TUBO CARICO ACQUA VALVOLA PADDLE CONICO
21	A.5.049	FITTING G1/8M-G1/8F WR14 S/S	RACCORDO G1/8M-G1/8F CH14 INOX
22	H.1.011.01	O-RING 9,25x1,78 (2-012) EPDM 70SHA	O-RING 9,25x1,78 (2-012) EPDM 70SHA
23	H.1.010.01	ORING 3087 (2-118) EPDM 70 SHA	OR3087 EPDM 70 SHA PARKER
24	A.5.047	ADAPTOR GROUP CONICAL V.	ADATTATORE GRUPPO V.PADDLE CONICO
25	A.6.003	BODY CONICAL PADDLE VALVE	CORPO VALVOLA PADDLE CONICO
26	T.1.188	DRAIN TUBE MP VALVE	TUBO SCARICO VALVOLA PADDLE CONICO
Item	Part number/Codice	Description	Descrizione

COFFEE BOILER - GROUP CAP AV & EE





la marzocco

handmade in florence

COFFEE BOILER - GROUP CAP AV & EE

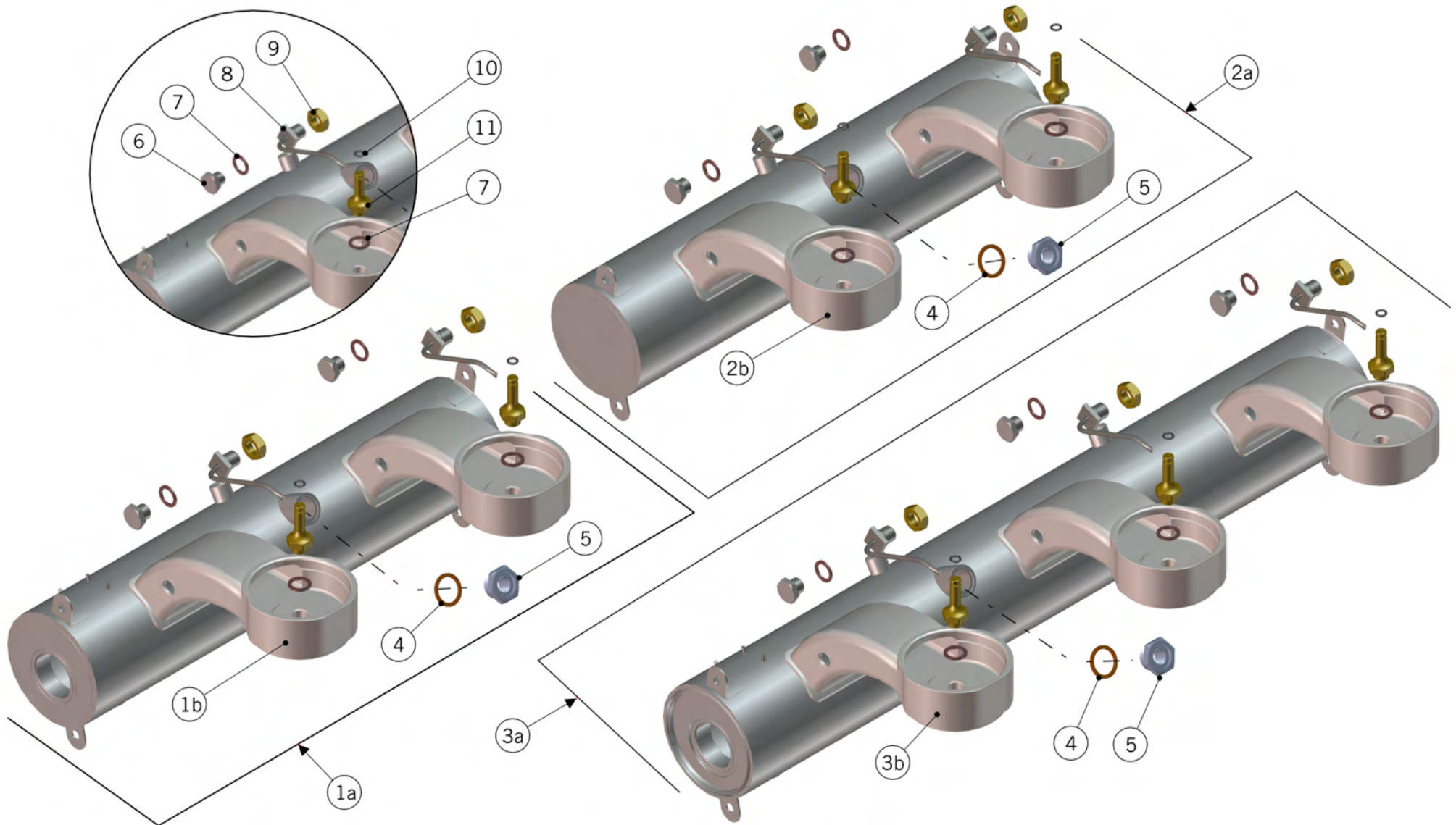
Caldaia Caffè

1	L1003	WASHER 8,5X14X1,5 S/S A2	RONDELLA 8,5X14X1,5 INOX A2
2	L110.01	SCREW M8X52 SOCKET CAP S/S A2 70	VITE M8X52 TC A BRUGOLA INOX A2 70
3	LAD070/V	FLOW METER IMPELLER	GIRANTE X CONTATORE VOLUMET.
4	LAD070/S1	FLOW METER O-RING	GUARN.OR 8-2112 V.X CONT.VOL.
5	LAD070/GC.R	KIT FLOWMETER HEAD	KIT TESTA CONT. VOLUM. FLUSS.
6	CL22/V	SCREW M4X12 PHILLIPS BUTTON HEAD S/S A2	VITE M4X12 TPB A CROCE INOX A2
7	LAD070/CGC	CONNECTORS FLOWMETER KIT	CONNETTORE CONT VOL. KIT FLUSSOMETRO
8	I.1.011	SCREW M5X14 SOCKET CAP S/S A2	VITE M5X14 TC A BRUGOLA INOX A2
9	I.1.005	SCREW M5X10 SOCKET CAP S/S A2	VITE M5X10 TC A BRUGOLA INOX A2
10	L205	SOLENOID VALVE CONNECTOR	CONNETTORE PER ELETTROVALVOLA
11	L100/G.01	SV COIL 220-240V 8W UL CSA VDE	BOBINA EV 220-240V 8W UL CSA VDE
12	H.1.006	ORING 2025, 105, 2-010 VITON	O-RING PER CANOTTO
13	L120/2	SCREW M6X10 SOCKET CAP S/S A2	VITE M6X10 TC A BRUGOLA INOX A2
14	L120/2A	WASHER 6,3X12X1 COPPER	RONDELLA 6,3X12X1 RAME
15	F.3.032.01	GIGLEUR RUBY 0.6	GIGLEUR IN RUBINO 0.6
	F.3.033.01	GICLEUR 0,7 M4 CH2 RUBY + S/S	GICLEUR 0,7 M4 CH2 RUBINO + INOX
	F.3.034.01	GICLEUR 0,8 M4 CH2 RUBY + S/S	GICLEUR 0,8 M4 CH2 RUBINO + INOX
16	I.4.002	WASHER 8,3X12X1,5 COPPER	RONDELLA 8,3X12X1,5 RAME
17	I.1.019.01	SCREW M8X8 SOCKET CAP S/S A2	VITE M8X8 TC A BRUGOLA INOX A2
18a	A.5.027	S/S GROUP CAP EE	COPERCHIO EE AISI 316L
18b	A.5.023	SS GROUP CAP W/PIN AND GIGLEUR	COPERCHIO INOX LAV. C/PERNO E GIGLEUR
19	L103/B	FIBER GASKET 87X81X0,5	GUARNIZ. PIANA 87X81X0.5 NOVUS
20	A.2.009.01	S/S GROUP ADAPTER	CANOTTO EROGAZIONE INOX
21	L100/1A	WASHER 13,5X19X1,5 COPPER	RONDELLA 13,5X19X1,5 RAME
22	B.1.003.01	RIGHT SIDE GROUP NECK CAP	TAPPO DX PER GRUPPO TRATT TEA
23	SA944	COPERCHIO GRUPPI AV INOX DI FORGIATURA	COPERCHIO GRUPPI AV INOX DI FORGIATURA
24	940/AV.02	AV GROUP CAP ASSEMBLY	KIT NUOVO COPERCHIO PER AV
25	940/EE.01	GROUP CAP ASSY FOR LINEA EE	COPERCHIO GRUPPO PER LINEA EE
26	L103/A	O-RING 2,62X75,87 VITON 70 ShA FDA	O-RING 2,62X75,87 VITON 70 ShA FDA
27	LAD070/GC.R	KIT FLOWMETER HEAD	KIT TESTA CONT. VOLUM. FLUSS.
Item	Part number/Codice	Description	Descrizione



la marzocco
handmade in florence

COFFEE BOILER ASSEMBLY





la marzocco

handmade in florence

COFFEE BOILER ASSEMBLY

Caldaie Caffè Ricambi

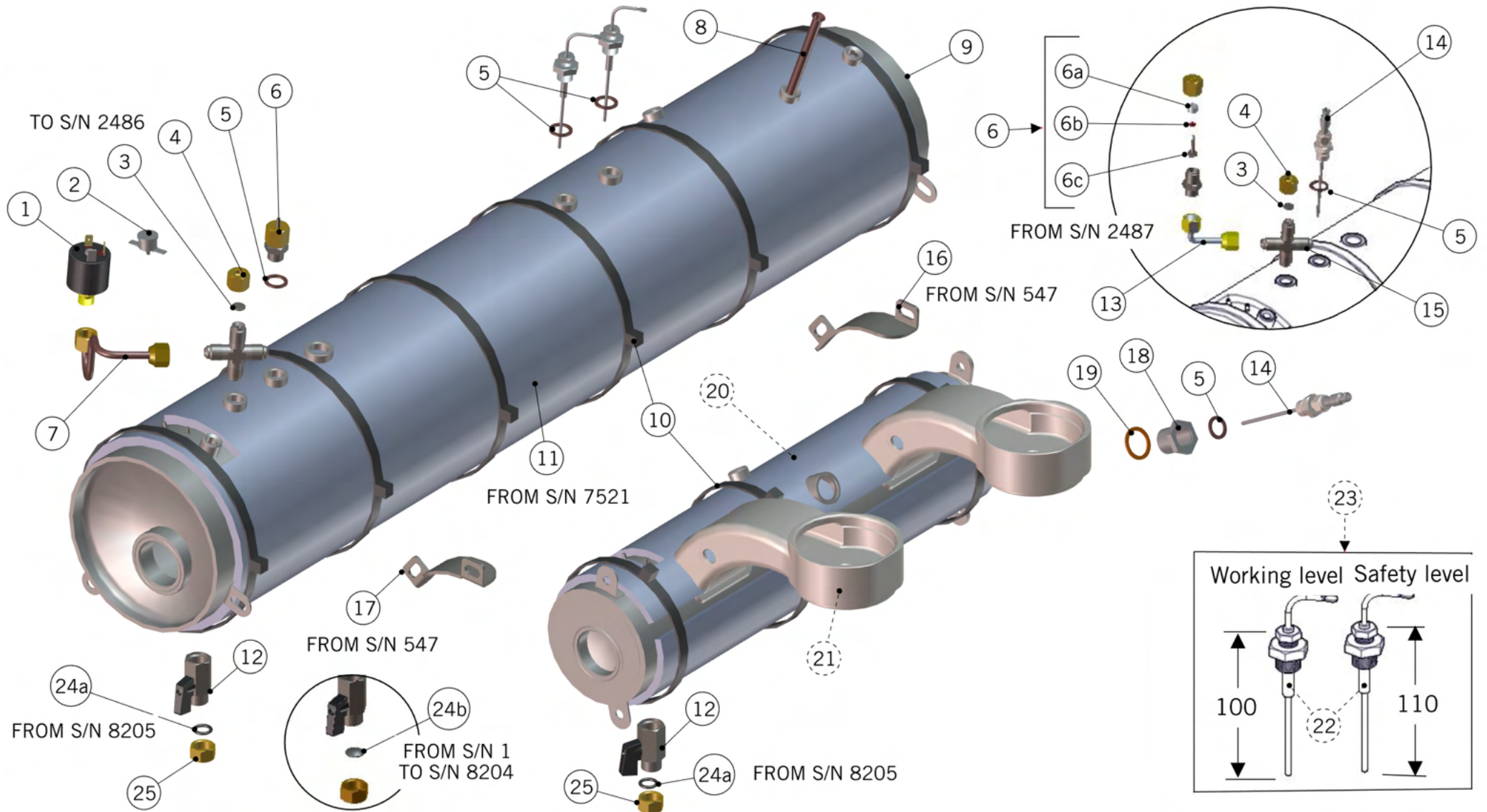
1a	L.1.005.2GB.R	COFFEE BOILER FLAT SIDE 2GR	CALDAIA CAFFE' FOND. PIATTI 2GR
1b	L.1.005.2.R	COFFEE BOILER FLAT SIDE 2GR	CALDAIA CAFFE' FOND. PIATTI 2GR
2a	L.1.005.2DGB.R	COFFEE BOILER FLAT SIDE DX 2GR	CALDAIA CAFFE' FOND. PIATTI DX 2GR
2b	L.1.005.2DX.R	COFFEE BOILER FLAT SIDE DX 2GR	CALDAIA CAFFE' FOND. PIATTI DX 2GR
3a	L.1.005.3GB.R	COFFEE BOILER FLAT SIDE 3GR	CALDAIA CAFFE' FOND. PIATTI 3GR
3b	L.1.005.3.R	COFFEE BOILER FLAT SIDE 3GR	CALDAIA CAFFE' FOND. PIATTI 3GR
4	L260/1A	WASHER 21X27X1,5 COPPER	RONDELLA 21X27X1,5 RAME
5	A.2.007	PT1000 PROBE ADAPTOR	RIDUZIONE PER SONDA PT1000
6	A.5.022	S/S CAP 1/4	TAPPO 1/4 AISI 316L
7	L100/1A	WASHER 13,5X19X1,5 COPPER	RONDELLA 13,5X19X1,5 RAME
8	B.1.003.01	RIGHT SIDE GROUP NECK CAP	TAPPO DX PER GRUPPO TRATT TEA
9	L100/5	NUT G1/4 H8 WR20 BRASS	DADO G1/4 H8 CH20 OTTONE
10	H.1.006	ORING 2025, 105, 2-010 VITON	O-RING PER CANOTTO
11	A.2.009.01	S/S GROUP ADAPTER	CANOTTO EROGAZIONE INOX
Item	Part number/Codice	Description	Descrizione



la marzocco

handmade in florence

BOILER ASSEMBLY





la marzocco

handmade in florence

BOILER ASSEMBLY

Caldaie

1	L271.01	PRESSURESTAT	PRESSOSTATO
2	L276.01	KLIXON TRIP FREE 130° THERMOSTAT	TERMOSTATO KLIXON TRIP FREE TEMP 130°
3	L137/4	11 MM. BLIND FERRULE	GHIANDINA DM.11 CHIUSA - NICK AL.
4	L130/4	FITTING G1/4F H13,5 WR17 BRASS	RACCORDO G1/4F H13,5 CH17 OTTONE
5	L100/1A	WASHER 13,5X19X1,5 COPPER	RONDELLA 13,5X19X1,5 RAME
6	L190	VACUUM BREAKER VALVE	VALVOLA DECOMPRESSIONE 1/4GAS
6a	B.3.001	PTFE ANTI-SUCTION VALVE SEAL	PASTIGLIA TEFLON X VALV. ANTI
6b	F.2.019	O-RING 102 SILICONE 70SH ANTI-SUCTION V.	O-RING 102 SILICONE 70SH V.ANTIRISUCCHIO
6c	B.2.013.01	ANTI-SUCTION VALVE SHAFT TREATED	ALBERINO V. ANTIRISUCCHIO TRATTATA
7	TL09	TUBE PRESSURE SWITCH - STEAM BOILER	TUBO PRESSOSTATO - CALDAIA VAPORE
8	TL07/G	HOT WATER SUCTION PIPE	TUBO PESCAGGIO ACQUA C.V.GRANDE
9	L154/2VGB5.R	STEAM BOILER CONCAVE SIDE 2GR W/PREH.	CALDAIA VAPORE FOND.CURVI C/PRERISC. 2GR
	L154/3VGB5.R	STEAM BOILER GB5 3GR W/PREHEATER	CALDAIA VAPORE FOND.CURVI C/PRERISC. 3GR
	L154/4VGB5.R	STEAM BOILER GB5 4GR W/PREHEATER	CALDAIA VAPORE FOND.CURVI C/PRERISC. 4GR
10	A.5.016.01	PLASTIC FASTENER 750X7.5	FASCETTA NERA 750x7.5 NYLON
11	F.7.008	INSULATION PANEL 4GR LINEA&GB5 STEAM B.	ISOLANTE C. VAPORE LINEA E GB5 4GR
	F.7.009	INSULATION PANEL 2GR GB5 STEAM B.	ISOLANTE C. VAPORE GB5 2GR
	F.7.010	INSULATION PANEL 3GR GB5 STEAM B.	ISOLANTE C. VAPORE GB5 3GR
12	L164.02	BALL VALVE G3/8M-G3/8F BRASS TREATED	RUBINETTO A SFERA G3/8M-G3/8F OTTONE TR.
13	T.1.060	TUBE STEAM B. - VACUUM BREAKER V. GB5	TUBO C.VAPORE - V. DECOMPRESSIONE GB5
14	E.1.005	PT1000 TEMPERATURE PROBE	SONDA DI TEMPERATURA PT1000
15	L129.01	CROSS FITTING G1/4M WR13 BRASS TREATED	RACCORDO A CROCE G1/4M CH13 OTTONE TR.
16	C.1.036.DX	BRACKET RIGHT BOILER GB5	STAFFA DESTRA CALDAIA GB5
17	C.1.036.SX	BRACKET LEFT BOILER GB5	STAFFA SINISTRA CALDAIA GB5
18	A.2.007	PT1000 PROBE ADAPTOR	RIDUZIONE PER Sonda PT1000
19	L260/1A	WASHER 21X27X1,5 COPPER	RONDELLA 21X27X1,5 RAME
Item	Part number/Codice	Description	Descrizione



la marzocco

handmade in florence

BOILER ASSEMBLY

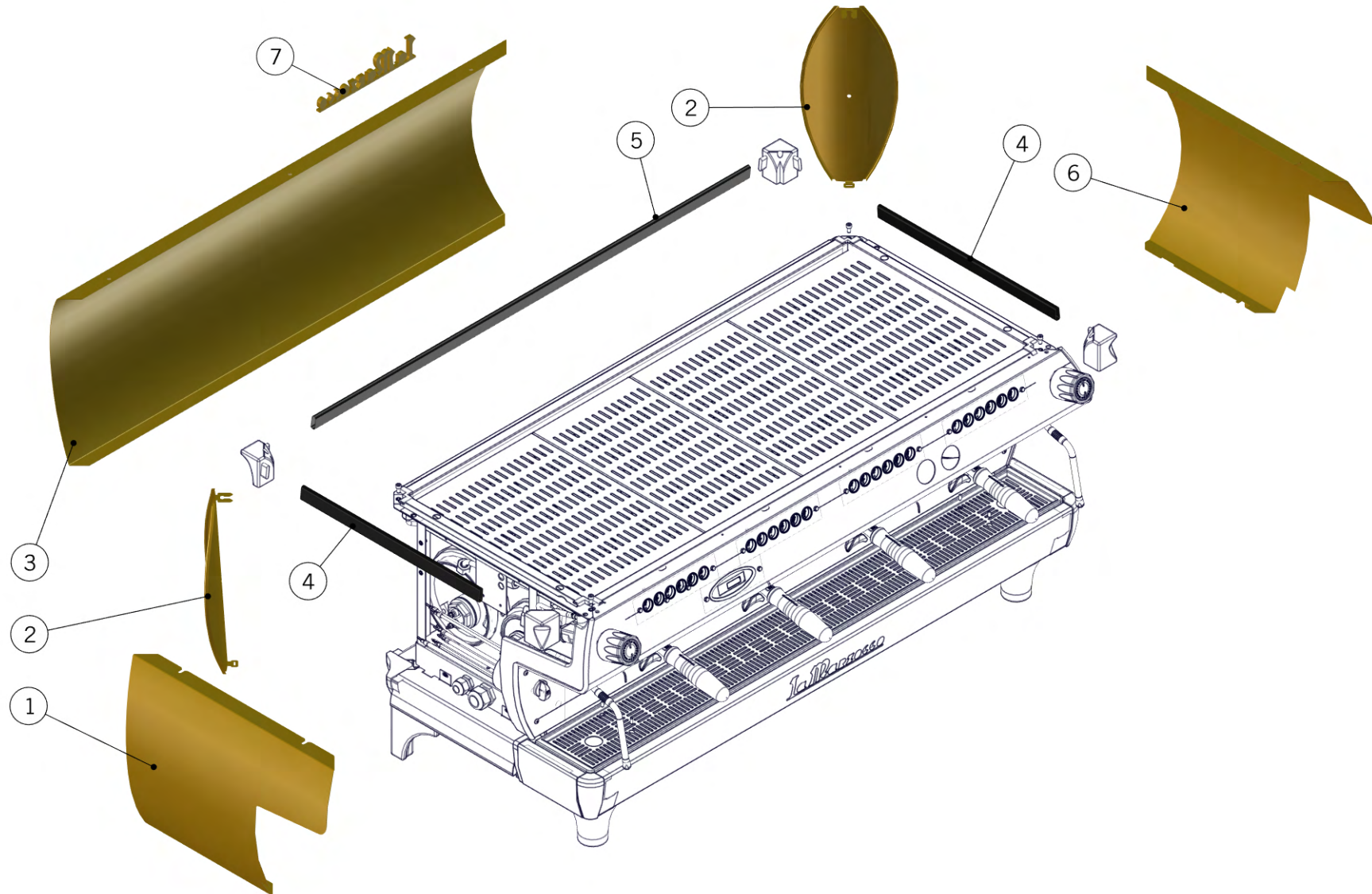
Caldaie	Item	Part number/Codice	Description	Descrizione
	20	F.7.004	INSULATION PANEL 2GR COFFEE BOILER	ISOLANTE C. CAFFE' 2GR
		F.7.005	INSULATION PANEL 3GR COFFEE BOILER	ISOLANTE C. CAFFE' 3GR
	21	L.1.005.2.R	COFFEE BOILER FLAT SIDE 2GR	CALDAIA CAFFE' FOND. PIATTI 2GR
		L.1.005.2DX.R	COFFEE BOILER FLAT SIDE DX 2GR	CALDAIA CAFFE' FOND. PIATTI DX 2GR
		L.1.005.3.R	COFFEE BOILER FLAT SIDE 3GR	CALDAIA CAFFE' FOND. PIATTI 3GR
	22	LA052/1	TEFLON INSULATOR PROBE	ISOLATORE IN TEFLON X SONDA
	23	LA052	WATER LEVEL PROBE	SONDA LIVELLO TL10/B 140MM.
	24a	H.1.004	O-RING 10,77X2,62 EPDM 85 SHA	O-RING 10.77X2.62 EPDM 85 SHA
	24b	L138/3.01	14 MM. BLIND FERRULE TEA	GHIANDINA DM.14 CHIUSA TEA
25	L030	CAP NUT G3/8 H11 WR19 BRASS	DADO CIECO CILINDRICO G3/8 H11 WR19 OTT.	



la marzocco

handmade in florence

GB5 - BRASS TREATMENT





la marzocco

handmade in florence

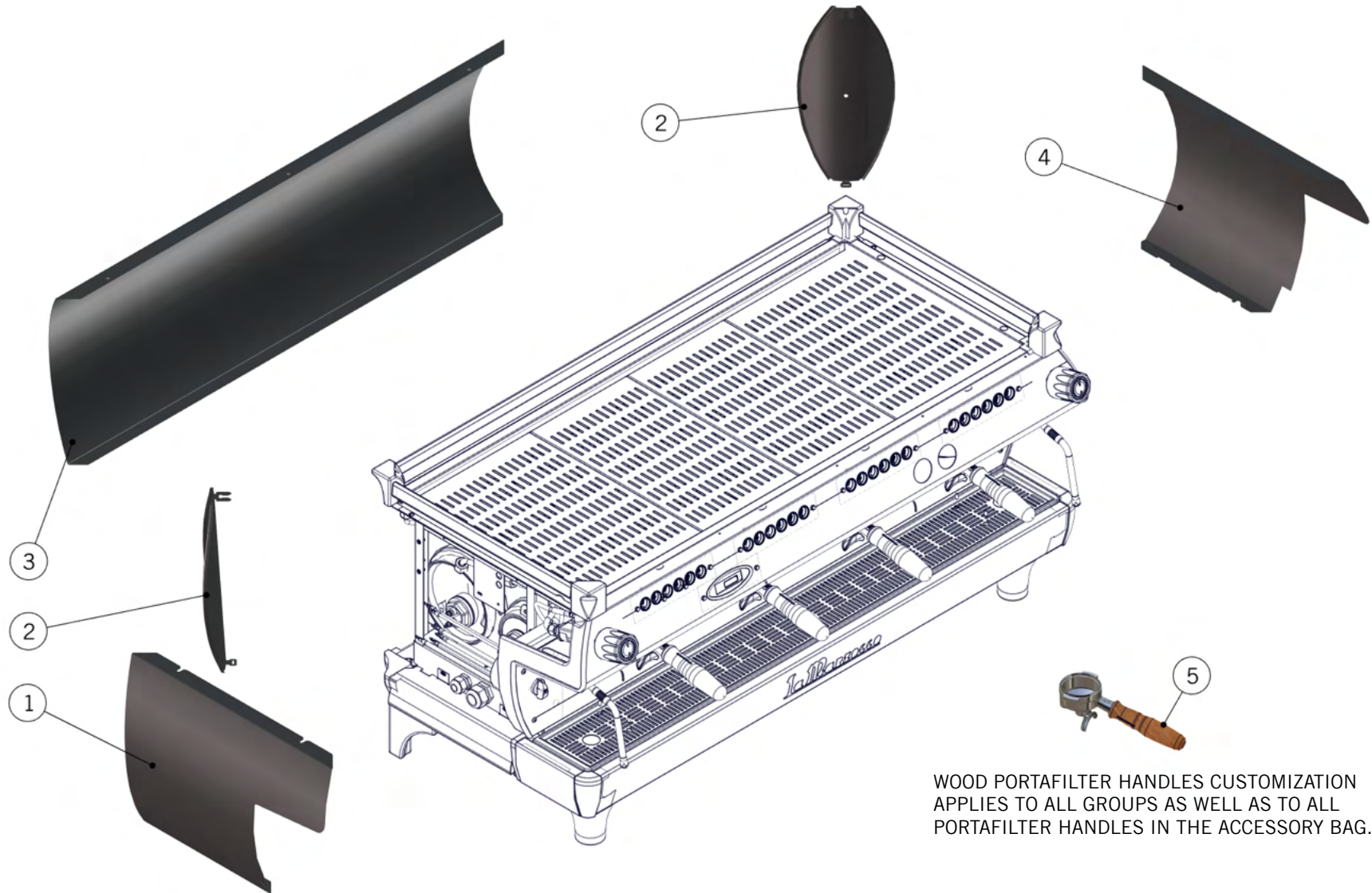
GB5 - BRASS TREATMENT

Brass Treatment	1	C.1.013.55	PANEL LEFT SIDE GB5 BRASS FINISH	FIANCATA SX GB5 OTTONATA
	2	C.1.016.55	GB5 SHIELD BRASS FINISHING	SCUDO GB5 FINITURA OTTONE
	3	C.1.015.2.55	PANEL BACK GB5 2GR BRASS FINISH	PANNELLO POST. GB5 2GR OTTONATO
		C.1.015.3.55	PANEL BACK GB5 3GR BRASS FINISH	PANNELLO POST. GB5 3GR OTTONATO
		C.1.015.4.55	PANEL BACK GB5 4GR BRASS FINISH	PANNELLO POST. GB5 4GR OTTONATO
	4	C.1.018.70	RAILING SIDE GB5 BLACK	RINGHIERA LATERALE GB5 NERA
	5	C.1.017.2.70	RAILING BACK GB5 2GR BLACK	RINGHIERA POSTERIORE GB5 2GR NERA
		C.1.017.3.70	RAILING BACK GB5 3GR BLACK	RINGHIERA POSTERIORE GB5 3GR NERA
		C.1.017.4.70	RAILING BACK GB5 4GR BLACK	RINGHIERA POSTERIORE GB5 4GR NERA
	6	C.1.014.55	PANEL RIGHT SIDE GB5 BRASS FINISH	FIANCATA DX GB5 OTTONATA
7	D.1.001.55	LA MARZOCCO LOGO FOR GB5 BRASS FINISH	LOGO LA MARZOCCO PER GB5 OTTONATA	
Item	Part number/Codice	Description		Descrizione



la marzocco
handmade in florence

GB5 - CUSTOM COLOR POWDER COATING - MATTE



WOOD PORTAFILTER HANDLES CUSTOMIZATION
APPLIES TO ALL GROUPS AS WELL AS TO ALL
PORTAFILTER HANDLES IN THE ACCESSORY BAG.



la marzocco

handmade in florence

GB5 - CUSTOM COLOR POWDER COATING - MATTE

Item	Part number/Codice	Description	Descrizione
1	C.1.013.50	PANEL LEFT SIDE GB5 WHITE	FIANCATA SX GB5 BIANCO
	C.1.013.60	PANEL LEFT SIDE GB5 MATTE BLACK	FIANCATA SX GB5 NERO OPACO
	C.1.013.65	PANEL LEFT SIDE GB5 CUSTOM COLOR	FIANCATA SX GB5 COLORE SPECIALE
2	C.1.016.50	GB5 WHITE SHIELD	SCUDO GB5 BIANCO
	C.1.016.60	GB5 SHIELD MATTE BLACK	SCUDO GB5 NERO OPACO
	C.1.016.65	GB5 SHIELD CUSTOM COLOR	SCUDO GB5 COLORE SPECIALE
3	C.1.015.2.50	PANEL BACK GB5 2GR WHITE	PANNELLO POSTERIORE GB5 2GR BIANCO
	C.1.015.2.60	PANEL BACK GB5 2GR MATTE BLACK	PANNELLO POSTERIORE GB5 2GR NERO OPACO
	C.1.015.2.65	PANEL BACK GB5 2GR CUSTOM COLOR	PANNELLO POSTERIORE GB5 2GR COL SPECIALE
	C.1.015.3.50	PANEL BACK GB5 3GR WHITE	PANNELLO POSTERIORE GB5 3GR BIANCO
	C.1.015.3.60	PANEL BACK GB5 3GR MATTE BLACK	PANNELLO POSTERIORE GB5 3GR NERO OPACO
	C.1.015.3.65	PANEL BACK GB5 3GR CUSTOM COLOR	PANNELLO POSTERIORE GB5 3GR COL SPECIALE
	C.1.015.4.50	PANEL BACK GB5 4GR WHITE	PANNELLO POSTERIORE GB5 4GR BIANCO
	C.1.015.4.60	PANEL BACK GB5 4GR MATTE BLACK	PANNELLO POSTERIORE GB5 4GR NERO OPACO
	C.1.015.4.65	PANEL BACK GB5 4GR CUSTOM COLOR	PANNELLO POSTERIORE GB5 4GR COL SPECIALE
4	C.1.014.50	PANEL RIGHT SIDE WHITE GB5	FIANCATA DX GB5 BIANCO
	C.1.014.60	PANEL RIGHT SIDE GB5 MATTE BLACK	FIANCATA DX GB5 NERO OPACO
	C.1.014.65	PANEL RIGHT SIDE GB5 CUSTOM COLOR	FIANCATA DX GB5 COLORE SPECIALE
5	L111/1MW.R	MAPLE PORTAFILTER -1 CUP SPOUT	PORTAFILTRO LEGNO ACERO UNA TAZZA
	L111/1WW.R	WALNUT PORTAFILTER 1 CUP SPOUT	PORTAFILTRO LEGNO NOCE UNA TAZZA
	L111/2MW.R	MAPLE PORTAFILTER WITH 2 CUP SPOUT	PORTAFILTRO LEGNO ACERO 2 TAZZE FISSO
	L111/2WW.R	WALNUT PORTAFILTER WITH 2 CUP SPOUT	PORTAFILTRO LEGNO NOCE 2 TAZZE FISSO

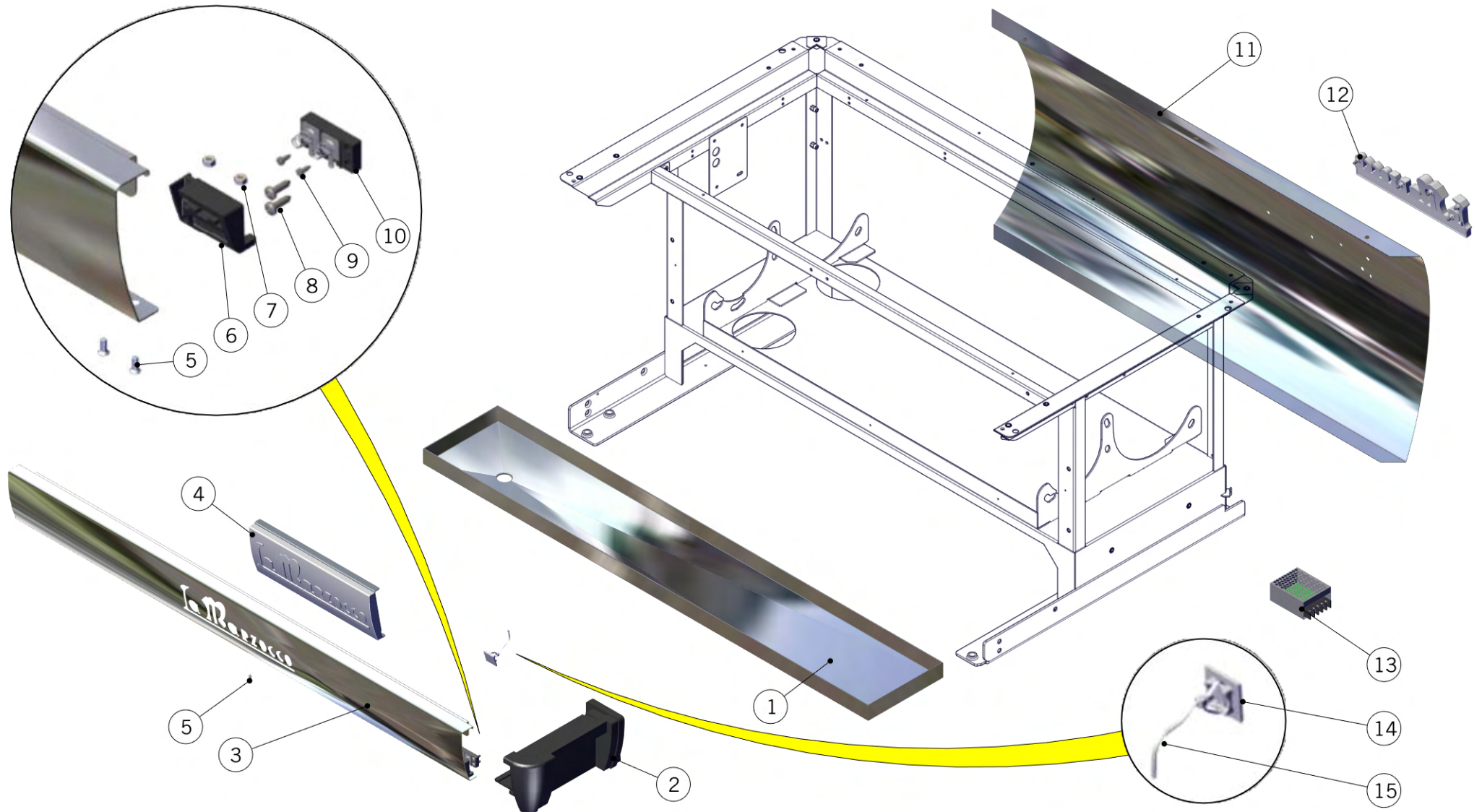
Custom Color



la marzocco

handmade in florence

GB5 - ILLUMINATED LOGOS





la marzocco

handmade in florence

GB5 - ILLUMINATED LOGOS

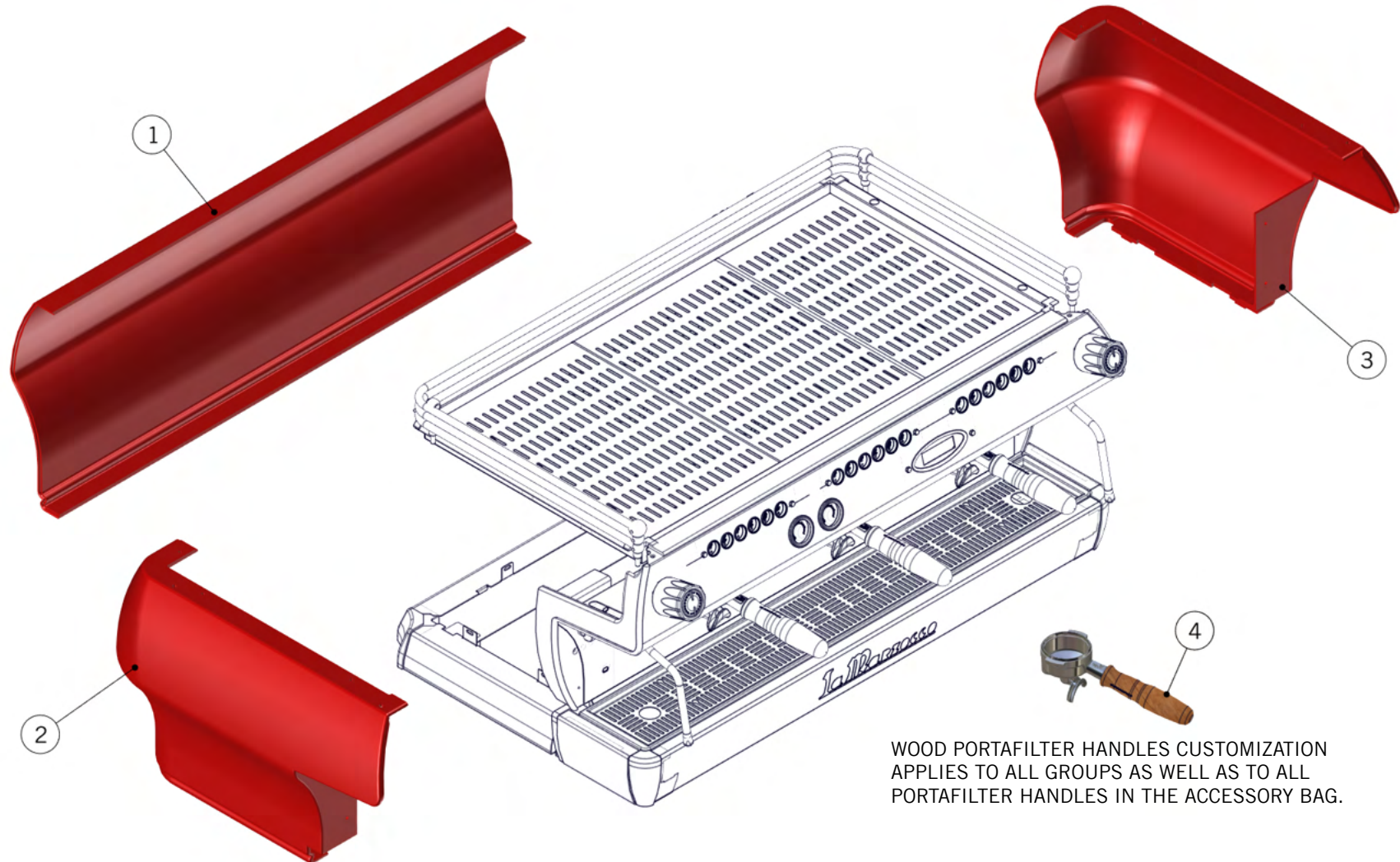
ILLUMINATED LOGOS

1	C.1.213.2	TRAY DRAIN GB5 2GR LIGHTED LOGO	BACINELLA GB5 2GR LOGO LUMINOSO
	C.1.213.3	TRAY DRAIN GB5 3GR LIGHTED LOGO	BACINELLA GB5 3GR LOGO LUMINOSO
	C.1.213.4	TRAY DRAIN GB5 4GR LIGHTED LOGO	BACINELLA GB5 4GR LOGO LUMINOSO
2	C.2.002.L	GB5 RIGHT DRAIN TRAY CORNER LIT LOGO	ANGOLO VASCA DX GB5 LOGO LUMINOSO
3	C.1.330.2	2GR DRAIN TRAY FRONT COVER W/CUT LOGO	FRONTALE BACINELLA 2GR C/LOGO TRAFORATO
	C.1.330.3	3GR DRAIN TRAY FRONT COVER W/CUT LOGO	FRONTALE BACINELLA 3GR C/LOGO TRAFORATO
	C.1.330.4	4GR DRAIN TRAY FRONT COVER W/CUT LOGO	FRONTALE BACINELLA 4GR C/LOGO TRAFORATO
4	D.6.002	LIT LOGO DRIP TRAY COVER GB5/FB80	LOGO LUMINOSO BACINELLA GB5/FB80
5	I.1.004	SCREW M3X8 SOCKET COUNTERSUNK S/S A2	VITE M3X8 TS A BRUGOLA INOX A2
6	F.1.073	SUPPORTO CONTATTI A BOTTONE	SUPPORTO CONTATTI A BOTTONE
7	DADOINOXM3	NUT M3 H2 WR5,5 S/S A2	DADO M3 H2 CH5,5 INOX A2
8	I.1.062	SELFTAP. SCREW 3,5X13 PHIL.ROUND-PAN S/S	VITEAUT. 3,5X13 TCB A CROCE INOX A2
9	I.1.086	SCREW 2.2X6.5 INOX	VITE AUTOFILETTANTE 2.2X6.5 INOX
10	F.1.074	SUPPORTO CONTATTI CON MOLLA	SUPPORTO CONTATTI CON MOLLA
11	C.1.015.2.01	PANEL BACK GB5 2GR	PANNELLO POSTERIORE GB5 2GR
	C.1.015.3.01	PANEL BACK GB5 3GR	PANNELLO POSTERIORE GB5 3GR
	C.1.015.4.01	PANEL BACK GB5 4GR	PANNELLO POSTERIORE GB5 4GR
12	D.6.001	BACKLIT LA MARZOCCO LOGO GB5/FB80	LOGO LAMARZOCCO RETROILLUMINATO GB5/FB80
13	E.2.045	POWER SUPPLY 12VDC 1,3A LOGO LEDS	ALIMENTATORE 12VDC 1,3A LUCI LOGO
14	5.V010	FASTENER ADHESIVE SUPPORT	INCOLLINO
15	L338/L100	PLASTIC FASTENER 100X2.5	FASCETTA FERMAFILO 98X2.5
Item	Part number/Codice	Description	Descrizione



la marzocco
handmade in florence

FB80 - CUSTOM COLOR PAINTED BODY



WOOD PORTAFILTER HANDLES CUSTOMIZATION
APPLIES TO ALL GROUPS AS WELL AS TO ALL
PORTAFILTER HANDLES IN THE ACCESSORY BAG.



la marzocco

handmade in florence

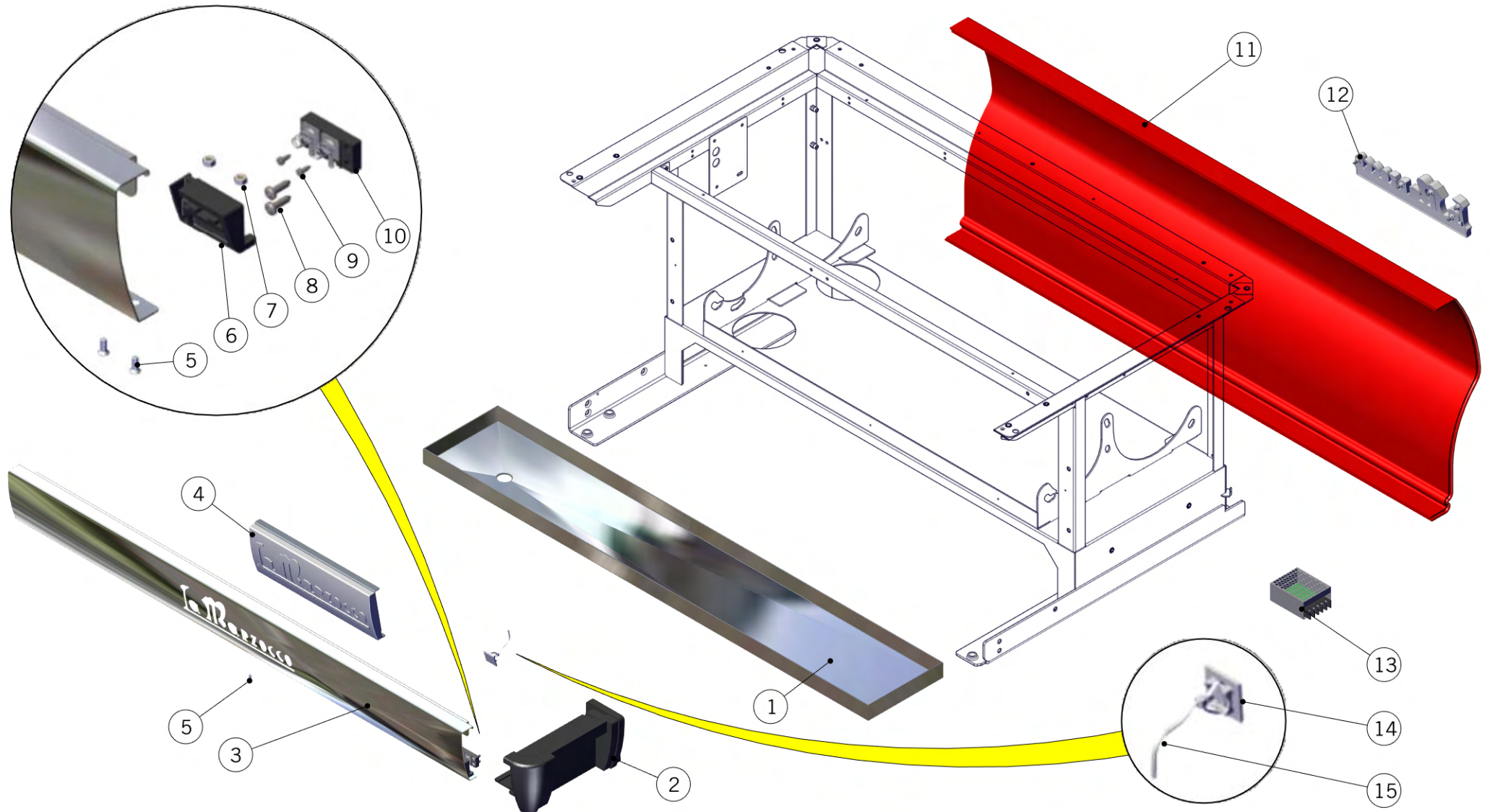
FB80 - CUSTOM COLOR PAINTED BODY

Custom Color	Item	Part number/Codice	Description	Descrizione
	1	C.2.013.2.55	PANEL BACK FB80 2GR CUSTOM COLOR	PANN. POST. FB80 2GR COLORE SPECIALE
		C.2.013.3.55	PANEL BACK FB80 3GR CUSTOM COLOR	PANN. POST. FB80 3GR COLORE SPECIALE
		C.2.013.4.55	PANEL BACK FB80 4GR CUSTOM COLOR	PANN. POST. FB80 4GR COLORE SPECIALE
	2	C.2.011.55	FB80 LEFT SIDE PANEL CUSTOM COLOR	FIANCO SX FB80 COLORE SPECIALE
	3	C.2.012.55	PANEL RIGHT SIDE FB80 CUSTOM COLOR	FIANCATA DX FB80 COLORE SPECIALE
	4	L111/1MW.R	MAPLE PORTAFILTER -1 CUP SPOUT	PORTAFILTRO LEGNO ACERO UNA TAZZA
		L111/1WW.R	WALNUT PORTAFILTER 1 CUP SPOUT	PORTAFILTRO LEGNO NOCE UNA TAZZA
		L111/2MW.R	MAPLE PORTAFILTER WITH 2 CUP SPOUT	PORTAFILTRO LEGNO ACERO 2 TAZZE FISSO
		L111/2WW.R	WALNUT PORTAFILTER WITH 2 CUP SPOUT	PORTAFILTRO LEGNO NOCE 2 TAZZE FISSO
Item	Part number/Codice	Description	Descrizione	



la marzocco
handmade in florence

FB80 - ILLUMINATED LOGOS





la marzocco

handmade in florence

FB80 - ILLUMINATED LOGOS

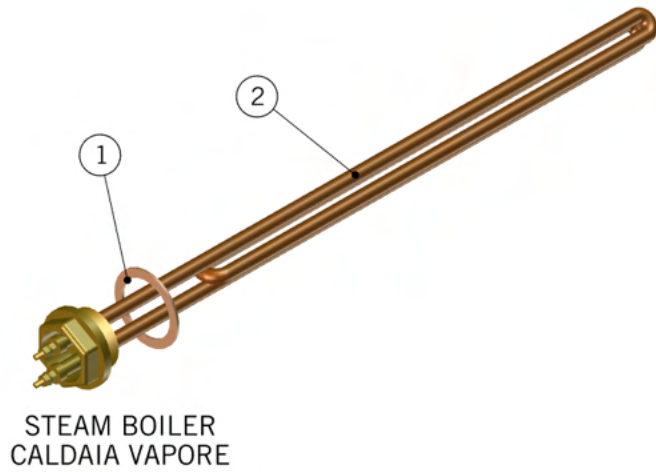
ILLUMINATED LOGOS

1	C.1.213.2	TRAY DRAIN GB5 2GR LIGHTED LOGO	BACINELLA GB5 2GR LOGO LUMINOSO
	C.1.213.3	TRAY DRAIN GB5 3GR LIGHTED LOGO	BACINELLA GB5 3GR LOGO LUMINOSO
	C.1.213.4	TRAY DRAIN GB5 4GR LIGHTED LOGO	BACINELLA GB5 4GR LOGO LUMINOSO
2	C.2.002.L	GB5 RIGHT DRAIN TRAY CORNER LIT LOGO	ANGOLO VASCA DX GB5 LOGO LUMINOSO
3	C.1.330.2	2GR DRAIN TRAY FRONT COVER W/CUT LOGO	FRONTALE BACINELLA 2GR C/LOGO TRAFORATO
	C.1.330.3	3GR DRAIN TRAY FRONT COVER W/CUT LOGO	FRONTALE BACINELLA 3GR C/LOGO TRAFORATO
	C.1.330.4	4GR DRAIN TRAY FRONT COVER W/CUT LOGO	FRONTALE BACINELLA 4GR C/LOGO TRAFORATO
4	D.6.002	LIT LOGO DRIP TRAY COVER GB5/FB80	LOGO LUMINOSO BACINELLA GB5/FB80
5	I.1.004	SCREW M3X8 SOCKET COUNTERSUNK S/S A2	VITE M3X8 TS A BRUGOLA INOX A2
6	F.1.073	SUPPORTO CONTATTI A BOTTONE	SUPPORTO CONTATTI A BOTTONE
7	DADOINOXM3	NUT M3 H2 WR5,5 S/S A2	DADO M3 H2 CH5,5 INOX A2
8	I.1.062	SELFTAP. SCREW 3,5X13 PHIL.ROUND-PAN S/S	VITEAUT. 3,5X13 TCB A CROCE INOX A2
9	I.1.086	SCREW 2.2X6.5 INOX	VITE AUTOFILETTANTE 2.2X6.5 INOX
10	F.1.074	SUPPORTO CONTATTI CON MOLLA	SUPPORTO CONTATTI CON MOLLA
11	C.2.013.2	PANEL BACK FB80 2GR RED	PANN. POSTERIORE FB80 2GR ROSSO
	C.2.013.3	PANEL BACK FB80 3GR RED	PANN. POSTERIORE FB80 3GR ROSSO
	C.2.013.4	PANEL BACK FB80 4GR RED	PANN. POSTERIORE FB80 4GR ROSSO
12	D.6.001	BACKLIT LA MARZOCCO LOGO GB5/FB80	LOGO LAMARZOCCO RETROILLUMINATO GB5/FB80
13	E.2.045	POWER SUPPLY 12VDC 1,3A LOGO LEDS	ALIMENTATORE 12VDC 1,3A LUCI LOGO
14	5.V010	FASTENER ADHESIVE SUPPORT	INCOLLINO
15	L338/L100	PLASTIC FASTENER 100X2.5	FASCETTA FERMAFILO 98X2.5
Item	Part number/Codice	Description	Descrizione

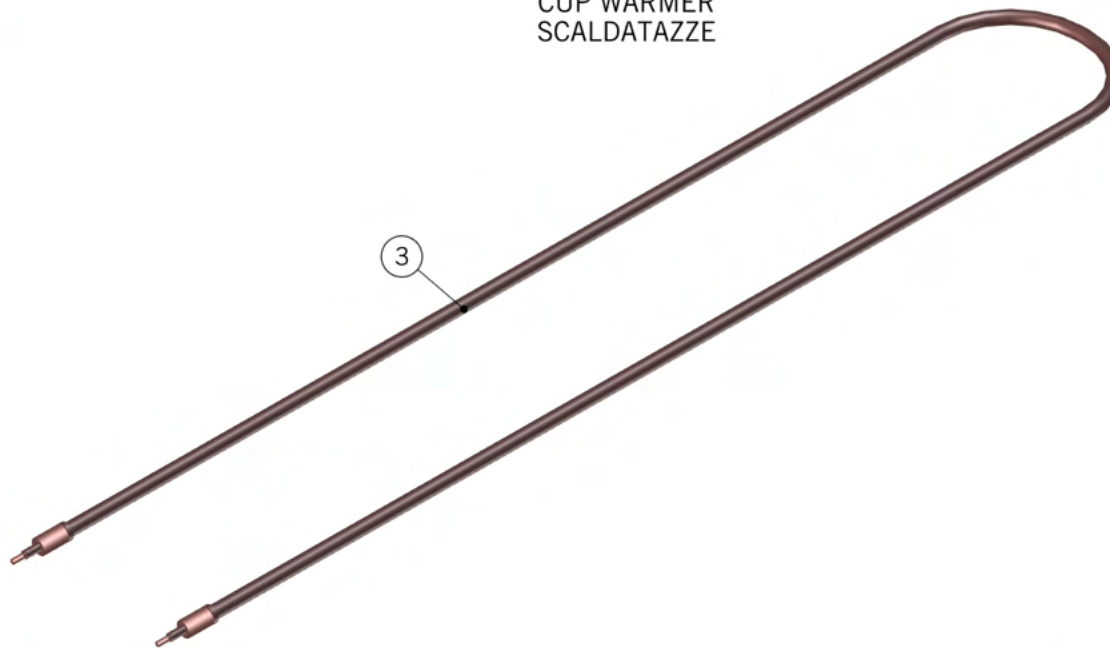


la marzocco
handmade in florence

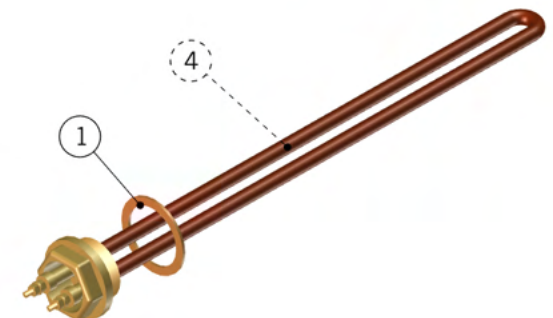
HEATING ELEMENTS



CUP WARMER
SCALDATAZZE



COFFEE BOILER
CALDAIA CAFFE'





la marzocco

handmade in florence

HEATING ELEMENTS

Resistenze Elettriche	2 GROUPS / 2 GRUPPI		1	LR360	1-1/4 HEATER ELEMENT GASKET	GUARNIZIONE PIANA DM.55X42X2		
	STEAM BOILER	STANDARD	2	STEAM BOILER HEATING ELEMENTS		RESISTENZE PER CALDAIA VAPORE		
				LR342/220B.03	HEATING ELEMENT W2000 V220 CM29 1-1/4 RP	RES. EL. W2000 V220 CM29 1-1/4 RP		
				LR350/380B.03	HEATING ELEMENT W2000 V380 CM29 1-1/4 RP	RES. EL. W2000 V380 CM29 1-1/4 RP		
		HIGH		LR357/200B.03	HEATING ELEMENT W3000 V200 CM39 1-1/4 RP	RES. EL. W3000 V200 CM39 1-1/4 RP		
				LR357/220B.03	HEATING ELEMENT W3000 V220 CM39 1-1/4 RP	RES. EL. W3000 V220 CM39 1-1/4 RP		
				LR357/380B.03	HEATING ELEMENT W3000 V380 CM39 1-1/4 RP	RES. EL. W3000 V380 CM39 1-1/4 RP		
		AU		LR358/200B.03	HEATING ELEMENT W2000 V200 CM29 1-1/4 RP	RES. EL. W2000 V200 CM29 1-1/4 RP		
		COFFEE BOILER		STANDARD	4	COFFEE BOILER HEATING ELEMENTS		RESISTENZE PER CALDAIA CAFFE'
						LR365/200.03	HEATING ELEMENT W1400 V200 CM43 1-1/4 RP	RES. EL. W1400 V200 CM43 1-1/4 RP
LR365/220.03	HEATING ELEMENT W1400 V220 CM43 1-1/4 RP		RES. EL. W1400 V220 CM43 1-1/4 RP					
LR365/380.03	HEATING ELEMENT W1400 V380 CM43 1-1/4 RP		RES. EL. W1400 V380 CM43 1-1/4 RP					
CUPWARMER		3	CUPWARMER HEATING ELEMENTS		RESISTENZA SCALDATAZZE			
			LR370	CUPWARMER HEATING ELEMENT 280W 220V	RES. SCALDATAZZE 280W 220V			
	Item	Part number/Codice	Description		Descrizione			



la marzocco

handmade in florence

HEATING ELEMENTS

Resistenze Elettriche	3 GROUPS / 3 GRUPPI			1	LR360	1-1/4 HEATER ELEMENT GASKET	GUARNIZIONE PIANA DM.55X42X2
	STEAM BOILER	STANDARD	2			STEAM BOILER HEATING ELEMENTS	RESISTENZE PER CALDAIA VAPORE
				E.6.019	HEAT.ELEM W3000 V220 CM50 1-1/4 4POLE TR	RES. EL. W3000 V220 CM50 1-1/4 4 POLI TR	
				E.6.021	HEAT.ELEM W3000 V380 CM50 1-1/4 4POLE TR	RES. EL. W3000 V380 CM50 1-1/4 4 POLI TR	
		HIGH		E.6.023	HEAT.ELEM W4000 V200 CM50 1-1/4 4POLE TR	RES. EL. W4000 V200 CM50 1-1/4 4 POLI TR	
				E.6.008.02	HEAT.ELEM W4000 V380 CM50 1-1/4 4POLE TR	RES. EL. W4000 V380 CM50 1-1/4 4 POLI TR	
				E.6.009.02	HEAT.ELEM W4000 V220 CM50 1-1/4 4POLE TR	RES. EL. W4000 V220 CM50 1-1/4 4 POLI TR	
	COFFEE BOILER	STANDARD	4			COFFEE BOILER HEATING ELEMENTS	RESISTENZE PER CALDAIA CAFFE'
				LR362/220.03	HEATING ELEMENT W1600 V220 CM66 1-1/4 RP	RES. EL. W1600 V220 CM66 1-1/4 RP	
		LR364/380.03		HEATING ELEMENT W1600 V380 CM65 1-1/4 RP	RES. EL. W1600 V380 CM65 1-1/4 RP		
HIGH		LR366/200.03		HEATING ELEMENT W1900 V200 CM66 1-1/4 RP	RES. EL. W1900 V200 CM66 1-1/4 RP		
		LR366/220.03		HEATING ELEMENT W1900 V220 CM66 1-1/4 RP	RES. EL. W1900 V220 CM66 1-1/4 RP		
	LR366/380.03	HEATING ELEMENT W1900 V380 CM66 1-1/4 RP	RES. EL. W1900 V380 CM66 1-1/4 RP				
CUPWARMER		3			CUPWARMER HEATING ELEMENTS	RESISTENZA SCALDATAZZE	
			LR371	CUPWARMER HEATING ELEMENT 400W 220V	RES. SCALDATAZZE 400W 220V		
	Item	Part number/Codice		Description	Descrizione		



la marzocco

handmade in florence

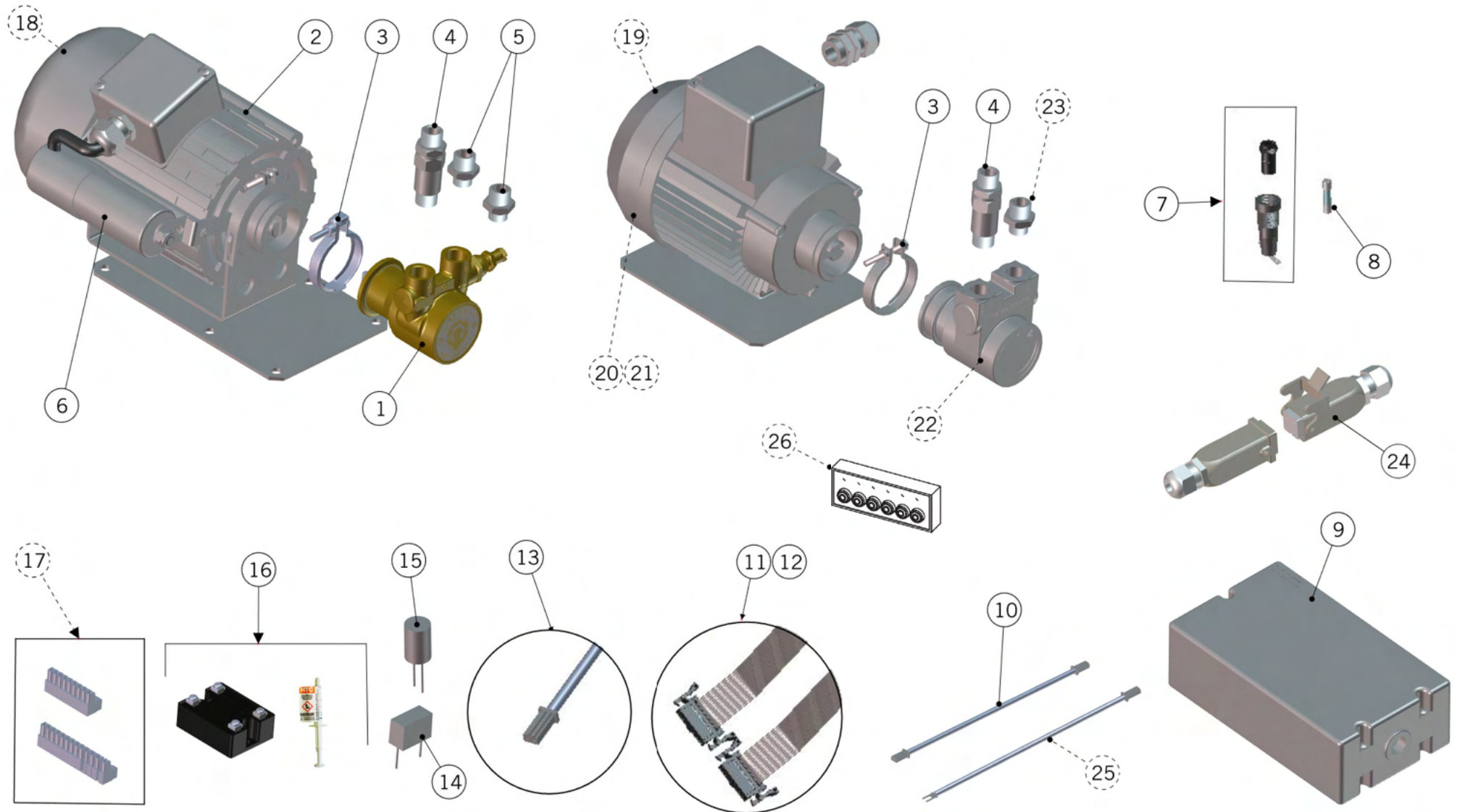
HEATING ELEMENTS

Resistenze Elettriche	4 GROUPS / 4 GRUPPI				Item	Part number/Codice	Description	Descrizione
	STEAM BOILER	STANDARD	1	LR360	1-1/4 HEATER ELEMENT GASKET	GUARNIZIONE PIANA DM.55X42X2		
				STEAM BOILER HEATING ELEMENTS		RESISTENZE PER CALDAIA VAPORE		
	HIGH	2	E.6.020	HEAT.ELEM W3800 V220 CM50 1-1/4 4POLE TR	RES. EL. W3800 V220 CM50 1-1/4 4 POLI TR			
			E.6.021	HEAT.ELEM W3000 V380 CM50 1-1/4 4POLE TR	RES. EL. W3000 V380 CM50 1-1/4 4 POLI TR			
			E.6.028	HEAT.ELEM W5000 V200 CM65 1-1/4 4POLE TR	RES. EL. W5000 V200 CM65 1-1/4 4 POLI TR			
			E.6.029	HEAT.ELEM W5000 V220 CM65 1-1/4 4POLE TR	RES. EL. W5000 V220 CM65 1-1/4 4 POLI TR			
			E.6.030	HEAT.ELEM W5000 V380 CM65 1-1/4 4POLE TR	RES. EL. W5000 V380 CM65 1-1/4 4 POLI TR			
	COFFEE BOILER	STANDARD	4	COFFEE BOILER HEATING ELEMENTS		RESISTENZE PER CALDAIA CAFFE'		
				LR365/200.03	HEATING ELEMENT W1400 V200 CM43 1-1/4 RP	RES. EL. W1400 V200 CM43 1-1/4 RP		
LR365/220.03				HEATING ELEMENT W1400 V220 CM43 1-1/4 RP	RES. EL. W1400 V220 CM43 1-1/4 RP			
LR365/380.03				HEATING ELEMENT W1400 V380 CM43 1-1/4 RP	RES. EL. W1400 V380 CM43 1-1/4 RP			
CUPWARMER	3	CUPWARMER HEATING ELEMENTS		RESISTENZA SCALDATAZZE				
		LR372	CUPWARMER HEATING ELEMENT 600W 220V	RES. SCALDATAZZE 600W 220V				



la marzocco
handmade in florence

ELECTRICAL SYSTEM AND PUMP





la marzocco

handmade in florence

ELECTRICAL SYSTEM AND PUMP

Impianto Elettrico e Pompa

1	L290/1.01	PUMP 150 LT/H	CORPO POMPANTE 150 L/H
	L290/2.01	PUMP 200 LT/H	CORPO POMPANTE 200 L/H
2	L290/8UL	UL MOTOR V.220-240 50/60 HZ	MOTORE CARENATO CHIUSO
3	L290/C	PUMP CLAMP	FASCETTA PER POMPA
4	L032/P.01	CHECK VALVE G3/8M TREATED	VALVOLA DI RITEGNO G3/8M TRATTATA
5	L305/N.01	NIPPLE G3/8M-G3/8M WR20 H31 BRASS TR.	NIPPLO G3/8M-G3/8M CH20 H31 OTTONE TR.
	L306/G.01	NIPPLE G3/8-3/8 COMPRESSION BRASS TR.	NIPPLO G3/8-3/8 COMPRESSION OTTONE TR.
6	L290/CUL	10microF CAPACITOR (L290/8UL MOTOR)	CONDENSATORE 10MF X MOTORE
7	E.2.004	UL FUSE HOLDER	PORTAFUSIBILE UL
8	E.2.003	UL FUSE FOR GB/5 2A 250V.	FUSIBILE UL X GB/5 2A 250V.
9	E.1.001	ELECTRONIC BOARD LILY	SCHEDA ELETTRONICA LILY
	E.1.001.GB5MP	GB5 MP BRAIN	DOSATURA PER GB5 MP
	E.1.010.01	BRAIN LILY EE VERSION	CENTRALINA LILY EE
10	E.4.004	TRIAC - BRAIN CABLE	CAVETTO TRIAC - CENTRALINA
11	LAD3D5/C05	3D5 BUTTON BOX CABLE CM110	CAVO PULSANTIERA 3D5 CM.110 CON ALETTA
12	LAD3D5/C06	3D5 BUTTON BOX CABLE CM140	CAVO PULSANTIERA 3D5 CM.140 CON ALETTA
13	E.4.011	TEA CABLE GB5 EE 1600mm	CAVO PULSANTE TE' GB5 EE 1600mm
14	L206	FILTER EMC FOR GB/5	FILTRO EMC PER GB/5
15	E.2.030	2x22nF+0,1microF FILTER	FILTRO 2x22nF+0.1microF
16	E.4.010.01.R	SSR 25A 240V W/THERMAL COMPOUND	RELE' 25A 240V C/PASTA TERMICA
	E.4.029.R	SSR 50A 240V W/THERMAL COMPOUND	RELE' 50A 240V C/PASTA TERMICA
	E.4.035.R	SSR 25A 480V W/THERMAL COMPOUND	RELE' 25A 480V C/PASTA TERMICA
Item	Part number/Codice	Description	Descrizione



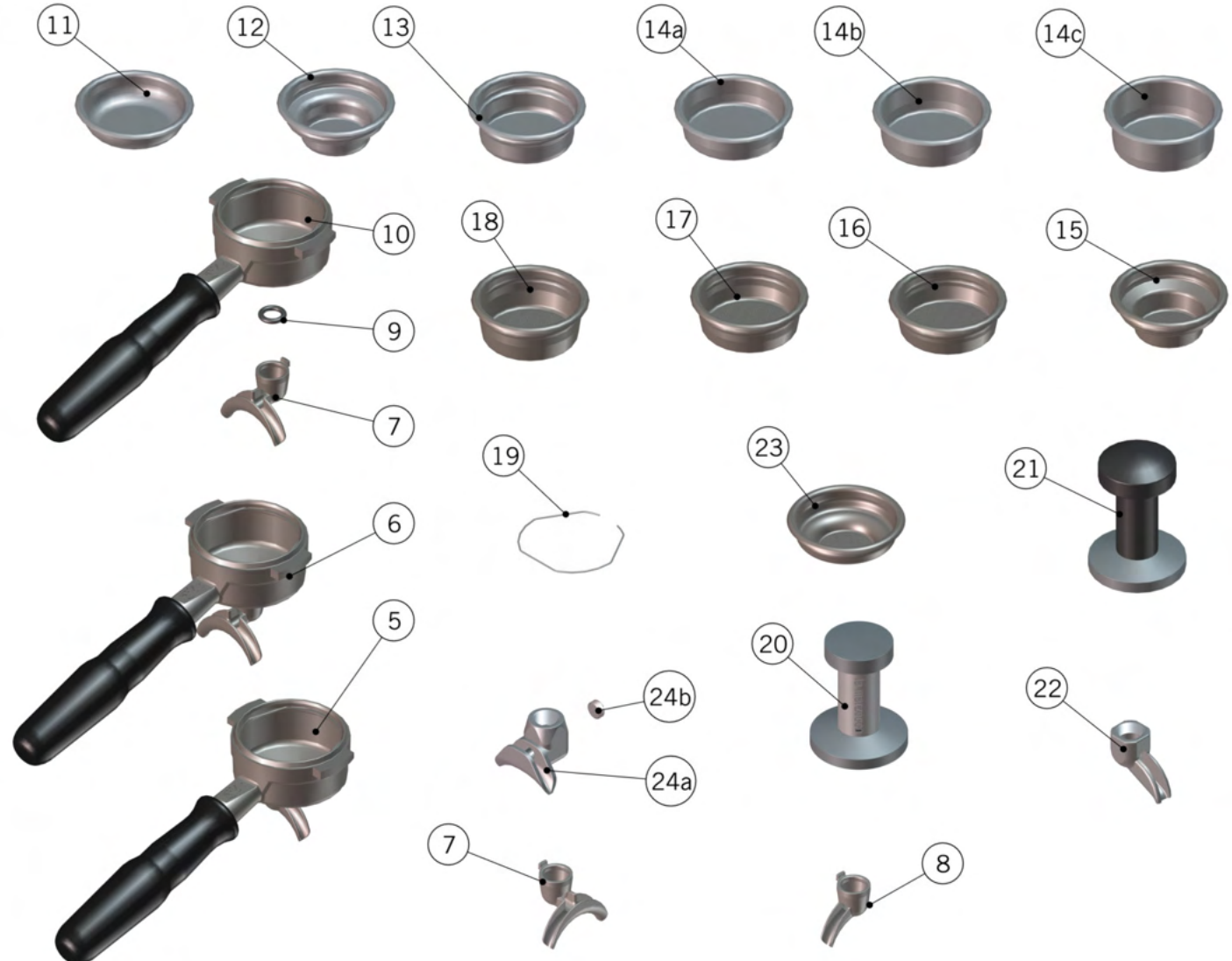
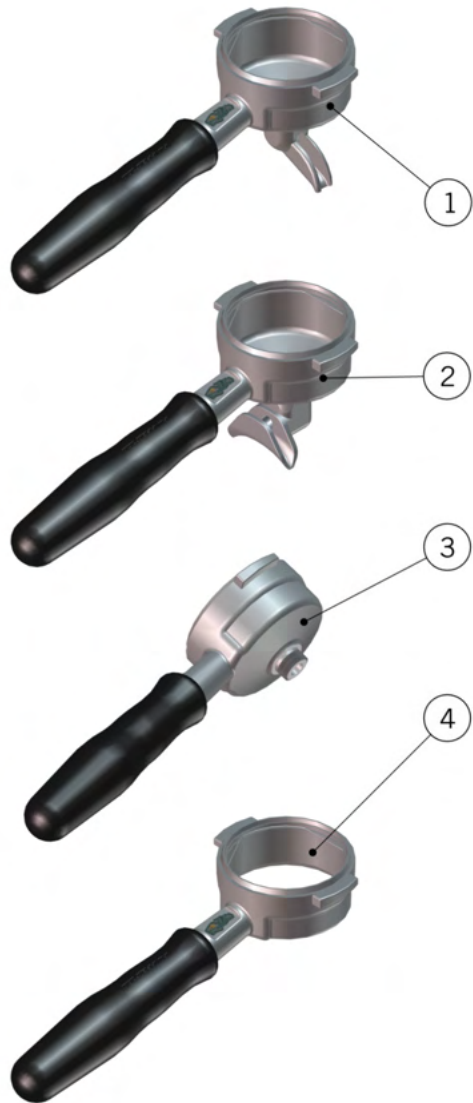
la marzocco

handmade in florence

ELECTRICAL SYSTEM AND PUMP

Impianto Elettrico e Pompa	17	E.1.001.9/13	LILY BOARD CONNECTORS	CONNETTORI LILY
	18	F.6.004	FAN COVER - PUMP MOTOR UL	COPRIVENTOLA ZINCATO X MOTORE L290/8UL
	19	L290/6	PLASTIC FAN COVER - PUMP MOTOR	COPRIVENTOLA PER MOTORE CE
	20	L290/5	CE MOTOR V.220-230 Hz.50	MOTORE CARENATO CE V.220-230 Hz.50
		L290/7	MOTOR PUMP 200V 50/60HZ	MOTORE CARENATO V.200 Hz.50/60
	21	L290/5C	6,3microF CAPACITOR (L290/5 MOTOR)	CONDENSATORE 6.3MF X MOTORE
		L290/7C	8microF CAPACITOR (L290/7 MOTOR)	CONDENSATORE 8MF
	22	L290/1.01	PUMP 150 LT/H	CORPO POMPANTE 150 L/H
	23	L305/N.01	NIPPLE G3/8M-G3/8M WR20 H31 BRASS TR.	NIPPLIO G3/8M-G3/8M CH20 H31 OTTONE TR.
	24	E.4.044	PUMP CABLE W/RAPID WATERPROOF CONNECTOR	CAVO POMPA C/CONNETTORE RAPIDO IP67
25	E.4.004.01	SSR - BRAIN CABLE	CAVETTO RELE' - CENTRALINA	
26	E.1.009	KEYPAD WITH ALUMINIUM SWITCH	PULSANTIERA 6T IN ALLUMINIO	
Item	Part number/Codice	Description		Descrizione

PORTAFILTER ASSEMBLY





la marzocco

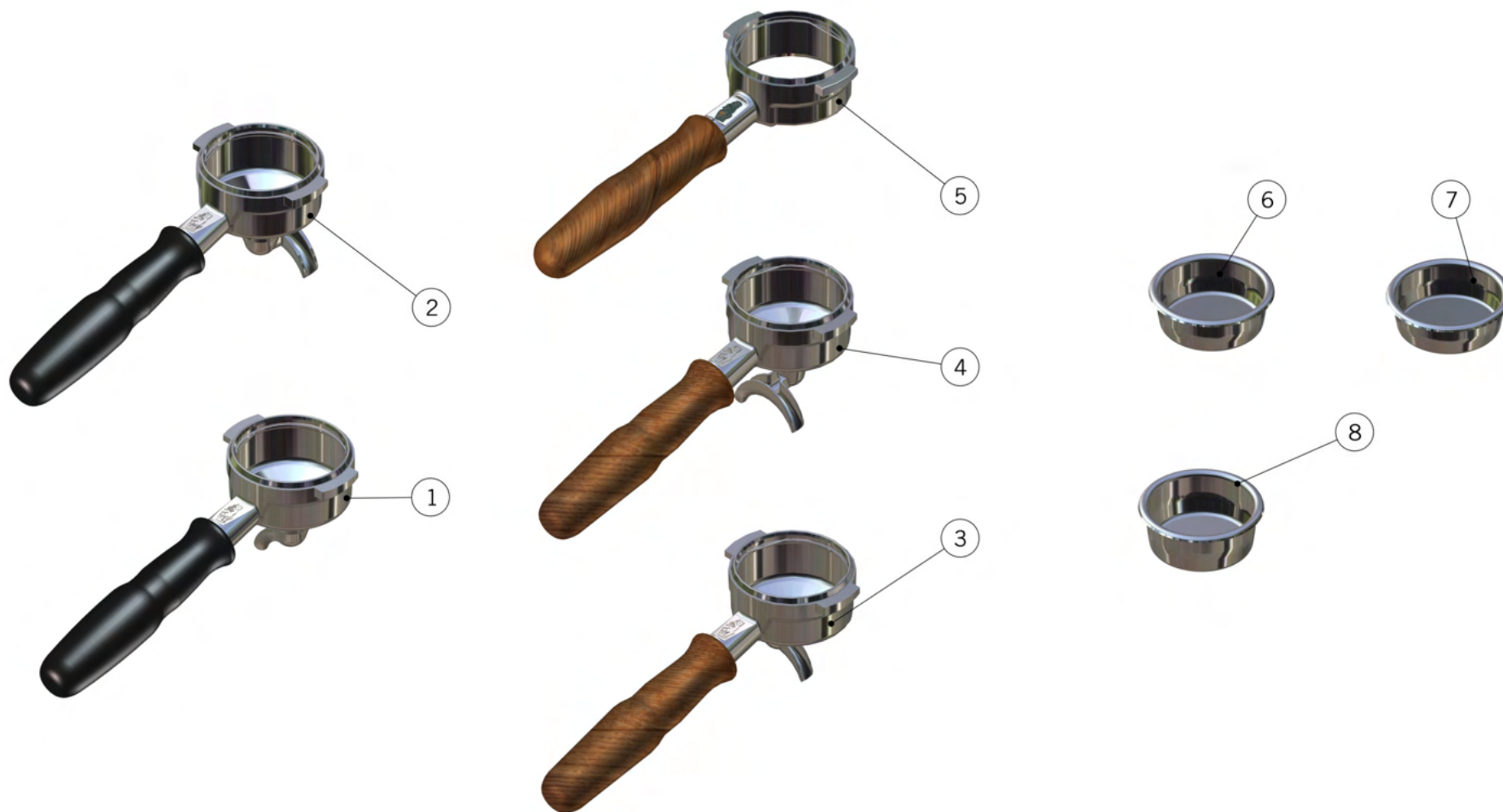
handmade in florence

PORTAFILTER ASSEMBLY

Portafiltri

1	L111/1	PORTAFILTER WITH 1 CUP SPOUT	PORTAFILTRO OTTONE 1 TAZZA
2	L111/2N	PORTAFILTER WITH 2 CUP SPOUT	PORTAFILTRO OTTONE 2 TAZZE FISSO
3	L111/LM12.01	PORTAFILTER W/TREATMENT FOR SANITATION	PORTAFILTRO OTTONE C/TRATT. ALIM.
4	L111/X	NAKED PORTAFILTER	PORTAFILTRO NUDO
5	L111/1AC	STAINLESS STEEL PORTAFILTER -1 CUP SPOUT	PORTAFILTRO INOX UNA TAZZA
6	L111/2NAC	S/S PORTAFILTER WITH 2 CUP SPOUT	PORTAFILTRO INOX 2 TAZZE FISSO
7	A.5.014.01	S/S DOUBLE SPOUT	BECCUCCIO DOPPIO INOX
8	A.5.013.01	S/S SINGLE SPOUT	BECCUCCIO SINGOLO INOX
9	H.1.017	O-RING 3,53X9,12 EPDM 70 ShA	O-RING 3,53X9,12 EPDM 70 ShA
	H.1.017.02	O-RING 9,21x3,37 EPDM FDA	O-RING 9,21x3,37 EPDM FDA
10	L111/SS.R	STAINLESS STEEL PORTAFILTER WITH HANDLE	PORTAFILTRO INOX CON MANICO
11	L115/C	BLIND FILTER	FILTRO CIECO X LAVAGGIO
12	L115/A	FILTER 1 CUP	FILTRO A 1 TAZZA
13	L115/A/S	SINGLE FILTER	FILTRO A 1 TAZZA SINGOLO\DOPPIO
	L116/A	FILTER 2 CUPS	FILTRO A 2 TAZZE
	L116/A/S	S/D SWIFT 2 CUPS FILTER	FILTRO A 2 TAZZE PER SWIFT SINGOLO\DOPPI
14a	5.128	19mm SWIFT FILTER BASKET	FILTRO SWIFT 19mm
14b	5.127	22mm SWIFT FILTER BASKET	FILTRO SWIFT 22mm
14c	5.133	TRIPLE SWIFT FILTER BASKET	FILTRO SWIFT TRIPLO
15	F.3.029.GR	FILTER BASKET 7G S/S	FILTRO 7G INOX
16	F.3.028.01	FILTER BASKET 14G S/S	FILTRO 14G INOX
17	F.3.027.01	FILTER BASKET 17G S/S	FILTRO 17G INOX
18	F.3.026.01	FILTER BASKET 21G S/S	FILTRO 21G INOX
19	L113	SPRING D WIRE1,1 S/S FILTER LOCK	MOLLA DFILO1,1 INOX FERMAFILTRO
20	F.3.045	S/S-ALUMINUM SINGLE-DOUBLE TAMPER	PRESSINO INOX-ALLUMINIO SINGOLO-DOPPIO
21	F.3.031.01	ANODIZED DOUBLE TAMPER S/S US VERSION	PRESSINO DOPPIO VERSIONE US ANODIZZATO
22	L115.01	SPOUT 1 CUP W/TREATMENT FOR SANITATION	BECCUCCIO SINGOLO C/TRATTAMENTO ALIM.
23	F.3.053	FILTER BASKET 7G S/S ITALIAN VERSION	FILTRO 7G INOX VERSIONE ITALIA
24a	L119.01	SPOUT 2 CUPS W/TREATMENT FOR SANITATION	BECCUCCIO DOPPIO C/TRATTAMENTO ALIM.
24b	L119/V	SCREW FOR DOUBLE SPOUT	VITE PER BECCUCCIO A 2 TAZZE
Item	Part number/Codice	Description	Descrizione

PORTAFILTER ASSEMBLY





la marzocco

handmade in florence

PORTAFILTER ASSEMBLY

Portafiltri	1	A.5.078	PORTAFILTER W/SINGLE SPOUT S/S	PORTAFILTRO C/BECCUCCIO SINGOLO INOX
	2	A.5.079	PORTAFILTER W/DOUBLE SPOUT S/S	PORTAFILTRO C/BECCUCCIO DOPPIO INOX
	3	L111/1MW.R	MAPLE PORTAFILTER -1 CUP SPOUT	PORTAFILTRO LEGNO ACERO UNA TAZZA
		L111/1WW.R	WALNUT PORTAFILTER 1 CUP SPOUT	PORTAFILTRO LEGNO NOCE UNA TAZZA
	4	L111/2MW.R	MAPLE PORTAFILTER WITH 2 CUP SPOUT	PORTAFILTRO LEGNO ACERO 2 TAZZE FISSO
		L111/2WW.R	WALNUT PORTAFILTER WITH 2 CUP SPOUT	PORTAFILTRO LEGNO NOCE 2 TAZZE FISSO
	5	A.5.060	WALNUT NAKED PORTAFILTER	PORTAFILTRO NUDO LEGNO NOCE
		A.5.061	MAPLE NAKED PORTAFILTER	PORTAFILTRO NUDO MANICO ACERO
	6	F.3.079	FILTER BASKET 17G S/S RIDGELESS	FILTRO 17G INOX SENZA BORDATURA
7	F.3.080	FILTER BASKET 14G S/S RIDGELESS	FILTRO 14G INOX SENZA BORDATURA	
8	F.3.081	FILTER BASKET 21G S/S RIDGELESS	FILTRO 21G INOX SENZA BORDATURA	
Item	Part number/Codice		Description	Descrizione



la marzocco

handmade in florence

HOSE AND ACCESSORIES

Tubi e Accessori

1	L305/050.01	BRAIDED HOSE CM.50 3/8 F	TUBO FLESSIBIL INOX 3/8F CM.50
	L306/050	BRAIDED HOSE 3/8 COMPR. WR17 50CM NSF	TUBO FLEX 3/8 COMPR. CH17 50CM NSF
2	L305/120.01	BRAIDED HOSE CM.120 3/8 F	TUBO FLESSIB INOX 3/8F CM.120
	L306/120	BRAIDED HOSE 3/8 COMPR. WR17 120CM NSF	TUBO FLEX 3/8 COMPR. CH17 120CM NSF
3	L305/210.01	BRAIDED HOSE CM.210 3/8F	TUBO FLESSIB INOX 3/8F CM.210
	L306/210	BRAIDED HOSE G3/8F WR20 210CM NSF	TUBO FLEX G3/8F CH20 210CM NSF
	L306/210/C	BRAIDED HOSE G3/8F WR20 210CM NSF CURVED	TUBO FLEX G3/8F CH20 210CM NSF C/CURV.
	T.5.003	BRAIDED HOSE 3/8 COMPR. WR17 210CM NSF	TUBO FLEX 3/8 COMPR. CH17 210CM NSF
4	L308	CLEAR ARMOURED DRAIN HOSE	TUBO PU AIR SCARICO ACQUA DIA 20
5	L312	HOSE CLAMP	FASCETTA SERRATUBO 16/25 H.8
6	UT360/42	HEATING ELEMENT TOOL 40/42	CHIAVE RESISTENZA 40/42
7	V067	LA MARZOCCO PURO CAFF POWDER	POLVERE LA MARZOCCO PURO CAFF
8	UT107	BENT WRENCH WR14 FOR GROUP TUBE	CHIAVE PIEGATA CH14 PER TUBO GRUPPO
9	UT004	MP O-RING EXTRACTOR	ESTRATTORE O-RING MP
10	UT103	PADDLE CAP SECTION	COPERCHIO PADDLE SEZIONATO
11	UT005	BALL END HEX WRENCH	CHIAVE BRUGOLA 5 CON SFERA X GS/3/STRA
12	E.4.025.02	KIT AVR PROGRAMMER - USB COMPLETE	KIT PROGRAMMAZIONE AVR - USB COMPLETO
13	F.9.000.01	MULTIPLE PARAMETER TEST KIT	KIT PER ANALISI DELL'ACQUA
14	F.9.003	DIGITAL TDS METER	TDS METER DIGITALE
15	F.1.065	HTC THERMAL COMPOUND SYRINGE 2ML	SIRINGA GRASSO TERMICO HTC 2ML
16	UT108	BENT WRENCH WR13 FOR GROUP TUBE	CHIAVE PIEGATA CH13 PER TUBO GRUPPO
17	941	WATER TEST KIT	KIT MISURAZIONE ACQUA
18	UT008	GASKET PICK	ESTRATTORE PER GUARNIZIONI
Item	Part number/Codice	Description	Descrizione

LA MARZOCCO SRL
Via La Torre, 14/H
Localita' La Torre
50038 Scarperia e San Piero
(Florence) - ITALY
T. +39 055 849 191
F. +39 055 849 1990
info@lamarzocco.com
www.lamarzocco.com