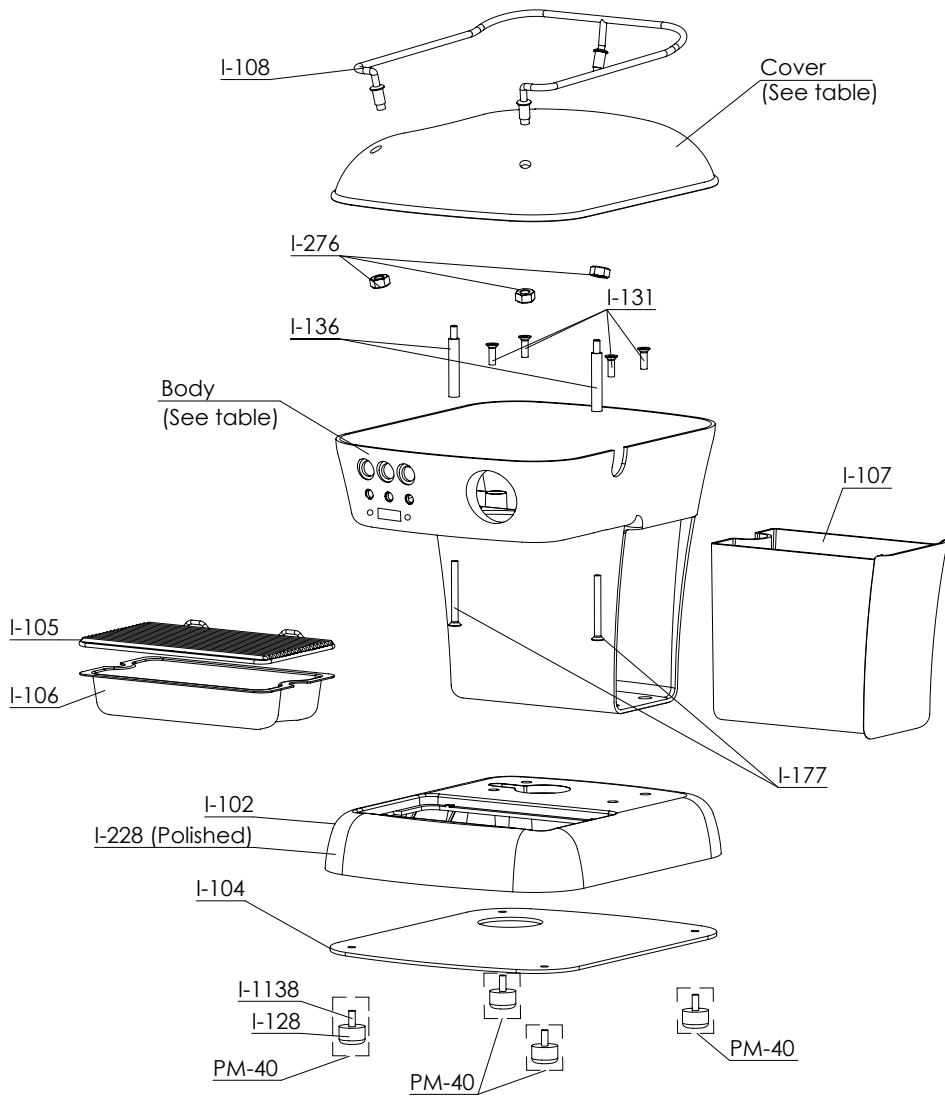




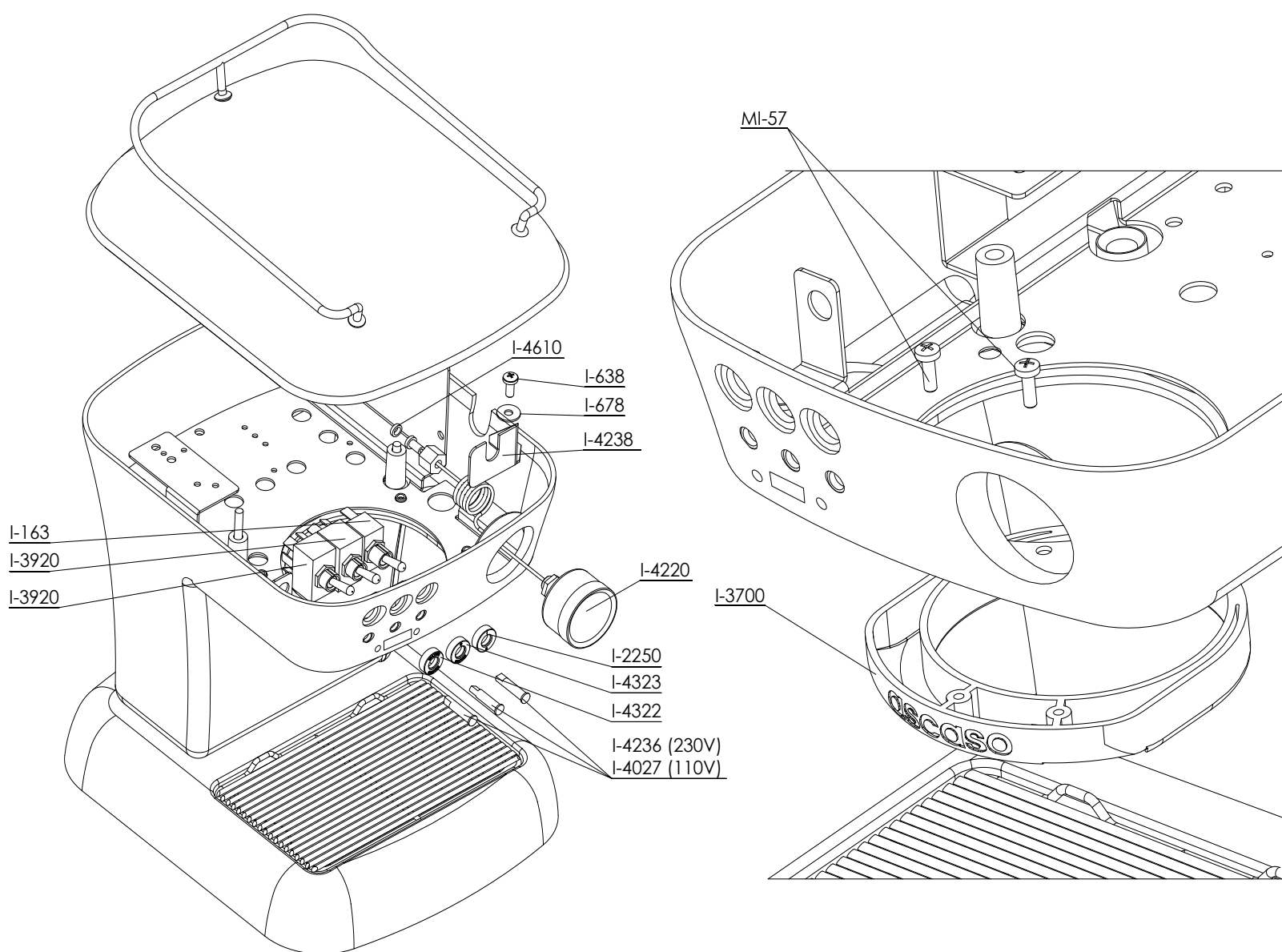
Dream PID

2021



Colour	Cover	Body
Matt yellow	I-202	I-4314
Anthracite	I-205	I-4271
Matt light blue	I-4498	I-4496
Matt white	I-370	I-4270
Textured cream	I-2957	I-4310
Matt black	I-207	I-4269
Matt pistachio	I-4499	I-4497
Polished	I-208	I-4272
Matt red	I-4338	I-4340

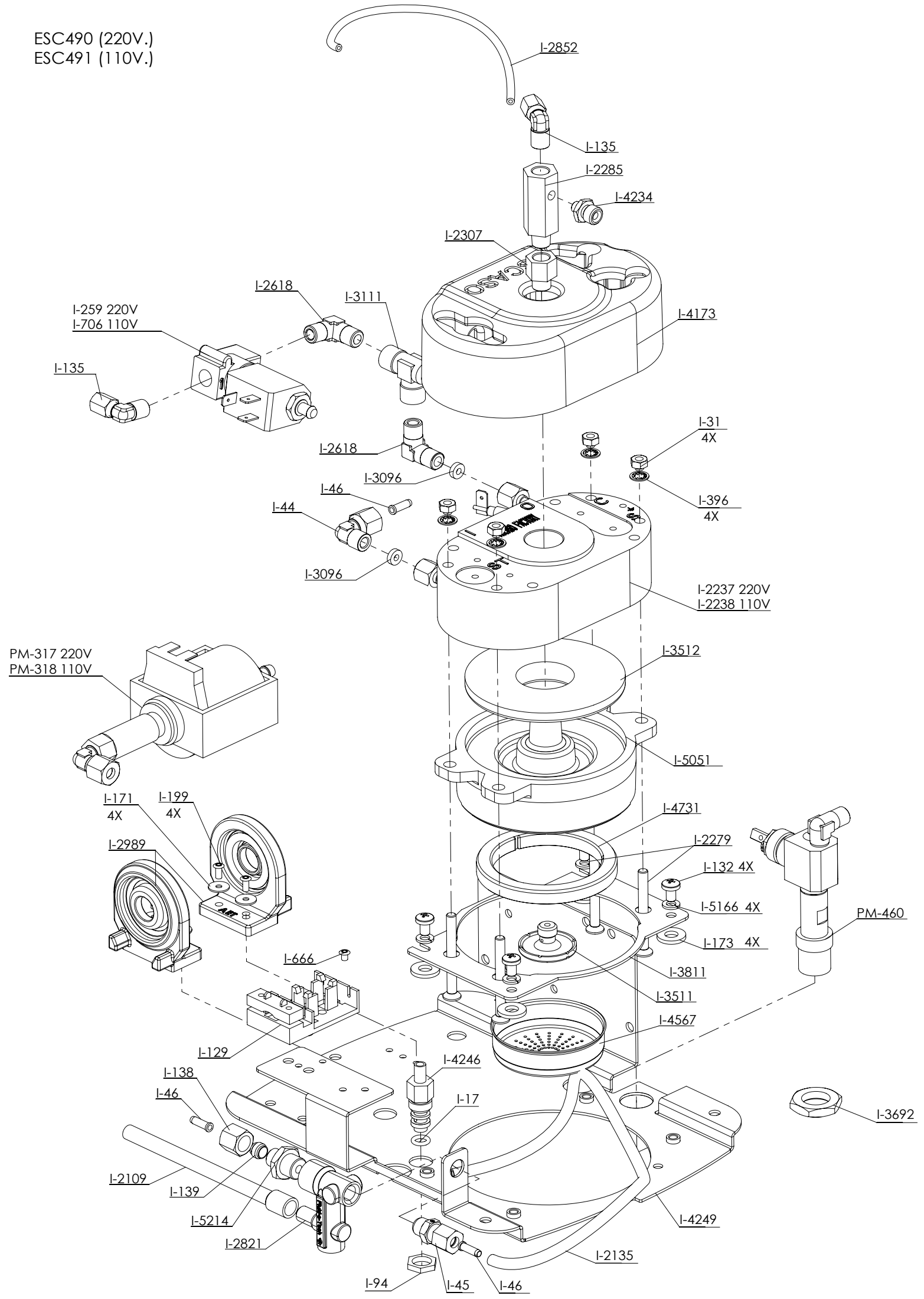
REF.	DESCRIPCIÓN	DESCRIPTION
I..102	BASE CARCASA DREAM	BASE
I..104	BASE FONDO DREAM	DREAM BASE
I..105	REJILLA DREAM	DREAM GRID
I..106	BANDEJA DREAM INOX	INOX DREAM TRAY
I..107	DEPOSITO DREAM	DREAM WATER TANK
I..108	BARANDILLA DREAM	DREAM BANISTER
I..128	PIE GOMA	RUBBER FOOT
I..131	TORNILLO FIJ. CUERPO DREAM	SCREW
I..136	UNION TAPA DREAM	DREAM LID UNION
I..177	TORNILLO TAPA DREAM INOX	INOX DREAM LID SCREW
I..228	BASE DREAM PULIDA	POLISH DREAM BASE
I..276	TUERCA M8	M8 NUT
PM..40	PATA DREAM	DREAM FOOT WHOLE



REF.	DESCRIPCIÓN
I..163	INTERRUPTOR DREAM ON-ON
I..638	TORNILLO SUJECION TERMOMETRO INOX
I..678	ARANDELA DIN9021 M5 INOX
I.2250	TUERCA INTERRUPTOR DREAM ON/OFF
I.3700	CUBREGRUPOS DREAM PID/ONE
I.3920	INTERRUPTOR 3 POSICIONES DREAM/STEEL PID
I.4027	PILOTO BLANCO STEEL 125V UL
I.4220	MANOMETRO DREAM/STEEL
I.4236	PILOTO BLANCO PID 250V
I.4238	SOPORTE MANOMETRO DREAM PID
I.4322	TUERCA INTERRUPTOR DREAM PID WATER-STEAM
I.4323	TUERCA INTERRUPTOR DREAM/STEEL PID COFFEE
I.4610	JUNTA 8,5x4,4x2 PTFE
MI..57	TORNILLO DIN 7985 INOX A4 M 4x12

DESCRIPTION
DREAM ON-ON SWITCH
THERMOMETER SCREW
WASHER
SWITCH DREAM NUT ON/OFF
DREAM PID/ONE GROUP COVER
COFFEE SWITCH STEEL TRONIC 2016
WHITE PILOT LIGHT STEEL 110V UL
MANOMETER DREAM/STEEL
PILOT WHITE STEEL 250V
MANOMETER BRACKET DREAM PID
SWITCH DREAM PID NUT WATER-STEAM
SWITCH DREAM PID NUT 1COFFEE-2COFFEE
GASKET 8,5x4,4x2 PTFE
SCREW DIN 7985 INOX A4 M 4x12

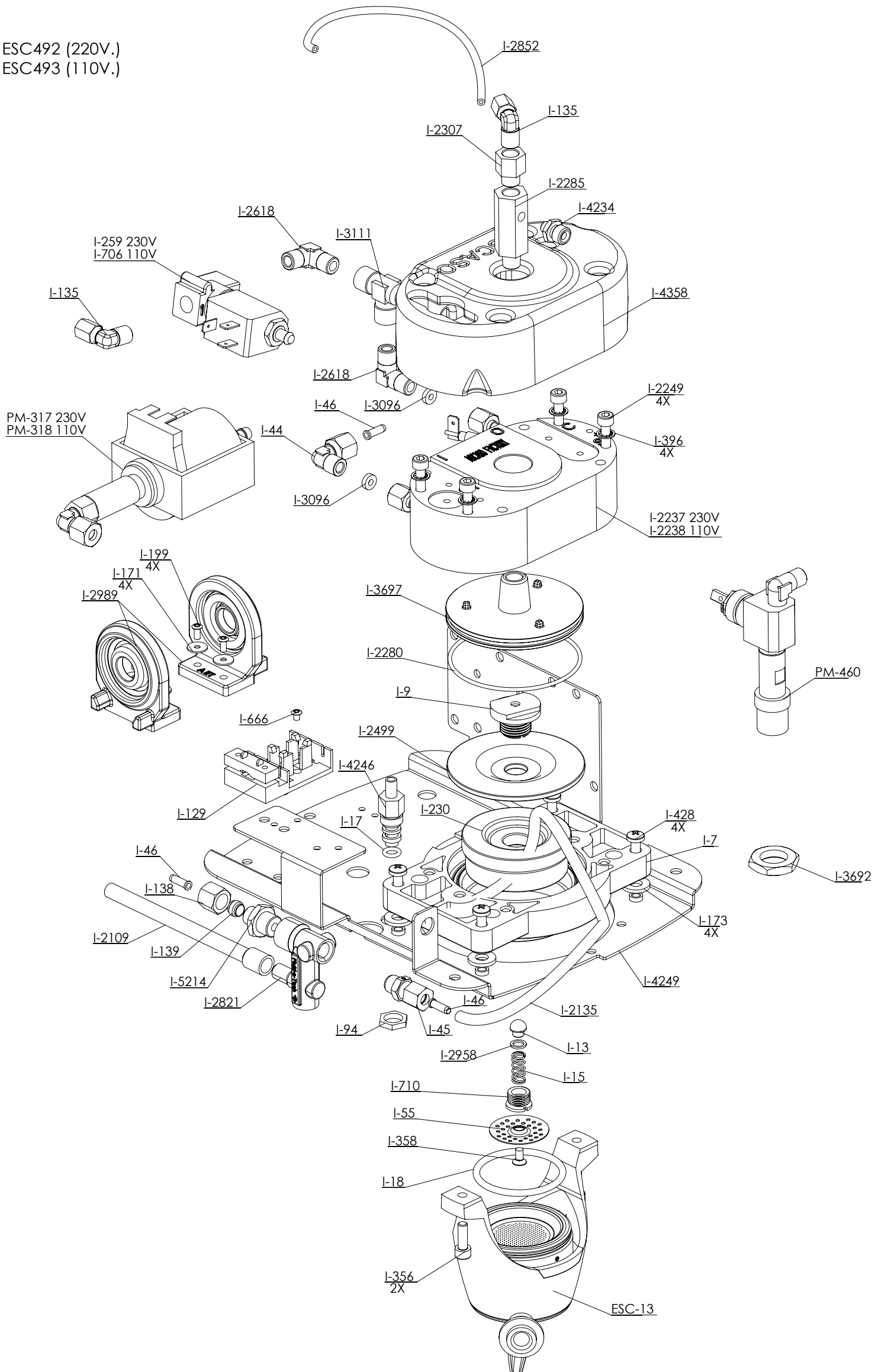
ESC490 (220V.)
ESC491 (110V.)



REF.	DESCRIPCIÓN
ESC490	GRUPO INTERCAMBIADOR INOX DREAM PID 230V
ESC491	GRUPO INTERCAMBIADOR INOX DREAM PID 110V
I-17	JUNTA TÓRICA
I-31	TUERCA M5 INOX
I-44	RACOR CODO
I-45	RACOR RECTO
I-46	REFUERZO TUBO
I-94	TUERCA APRIETE GRIFO
I-129	RETENEDOR CABLE
I-132	TORNILLO M5X8 INOX
I-135	RACOR CODO 13280 4 1/8
I-138	TUERCA BICONO 6 mm
I-139	BICONO DIAM, 6mm
I-171	ARANDELA FIJACION SOPORTE BOMBA
I-173	JUNTA GRUPO
I-199	REMACHE TB A2/A2 DIN 7337 D 3.2x12
I-259	ELECTROV. 3 VIAS PASO 1.2 230V 1/8-1/8 0-15BAR
I-396	ARANDELA DENTADA M5 INOX
I-666	REMACHE MEDIANO (3.2X8)
I-2109	TUBO SILICONA 5X8 (120mm)
I-2135	TUBO TEFLON 4x6x350
I-2237	CJTO. INTERCAMBIADOR INOX. 230V
I-2279	TORNILLO M5X50 DIN7991 A-4
I-2285	RACOR CONEXION GRIFO
I-2307	RACOR PROLONGACIÓN ENTRADA TERMOBLOCK
I-2618	RACOR CODO 1/8 M-M INOX
I-2821	BYPASS
I-2852	TUBO TEFLON 2x4 (240mm)
I-2989	SILENT BLOCK BOMBA
I-3096	JUNTA INTERCAMBIADOR
I-3111	RACOR T H 1/8G" - H 1/8"G + M 1/8"R
I-3511	ROCIADOR GRUPO PROF. 2016
I-3512	POSTIZO CAMPANA PROF. 2016
I-3692	TUERCA RACOR EV- SALIDA AGUA
I-3811	CHAPA SOPORTE GRUPO PROF 2016
I-4173	FUNDA TÉRMICA INTERCAMBIADOR INOX.
I-4234	RACOR CONEXIÓN INTERCAMBIADOR-MANOMETRO M6 1/8
I-4246	RACOR CONEXIÓN DESCARGA DREAM PID
I-4249	CHAPA GRUPO DREAM PID
I-4567	DUCHA SIMPLE 60mm
I-4731	JUNTA PORTAFILTROS 7.8mm
I-5051	CAMPANA PROF. 2020
I-5166	ARANDELA GROWER DIN127 M5
I-5214	RACOR OPV M12X1 M10 - TUBO TEFLÓN
PM-317	BOMBA DREAM PID 230V
PM-318	BOMBA DREAM PID 110V
PM-460	GRIFO DREAM PID 2019

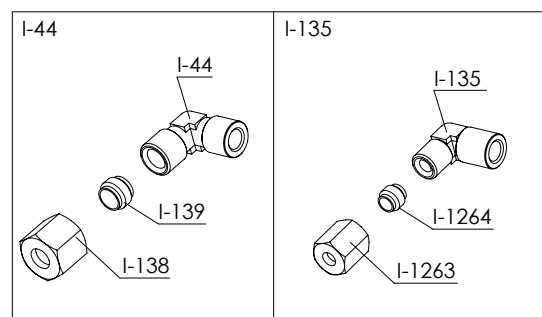
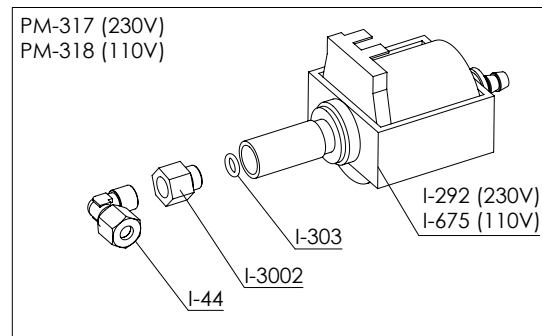
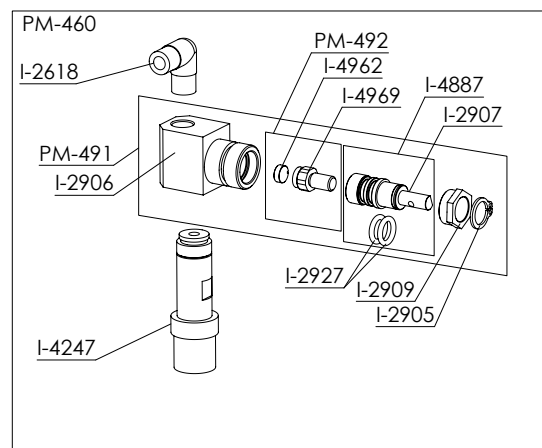
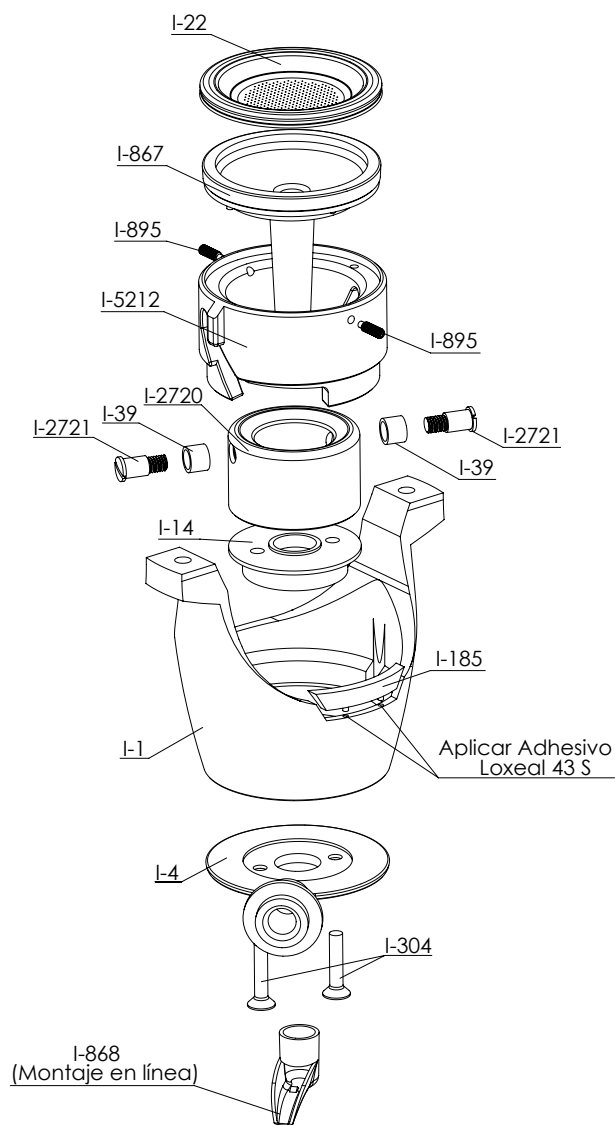
DESCRIPTION
GROUP DREAM PID THERM. INOX 230V
GROUP DREAM PID THERM. INOX 110V
O-RING
NUT M5 STAINLESS STEEL
RL BIX FITTING
STRAIGHT FITTING
PIPE REINFORCEMENT
TAP NUT
TERMINAL WIRING
SCREW M5X8 INOX
FITTING
NUT
BICONE
WASHER
TEFLON GASKET
LONG RIVET
3 WAY SOLENOID
WASHER
RIVET (3.2X8)
SILICONE PIPE 5X8 (120mm)
TEFLON PIPE 4x6x350
THERMOBLOCK INOX 230V
SCREW M5X50 DIN7991 A-4
FITTING
BASIC COFFEE GROUP EXTENSION
ELBOW FITTING 1/8M-M NOX
BYPASS
TEFLON PIPE 2x4 (240mm)
PUMP SILENT BLOCK
HEAT EXCHANGER GASKET
FITTING T H 1/8G" - H 1/8"G + M 1/8"R
SPRAY GROUP PROF. 2016
BELL PROF 2016 SUPPLEMENT
RACOR NUT SOLENOID - WATER EXIT
GROUP PROF 2016 SUPPORT SHEET
THERMAL SHEATH STAINLESS STEEL EXCHANGET
RACOR CONNECTION TERMOBLOCK-MANOMETER M6 1/8
WATER EXIT EXTENSION DREAM PID
GROUP PLATE DREAM PID
SIMPLE SHOWER 60mm
FILTERHOLDER GASKET 7.8mm
BELL PROF. 2020
WASHER GROWER DIN127 M5
OPV FITTING M12X1- M10X1 - PTFE PIPE
PUMP WHOLE DREAM PID 230V
PUMP WHOLE DREAM PID 110V
TAP DREAM PID 2019

ESC492 (220V.)
ESC493 (110V.)



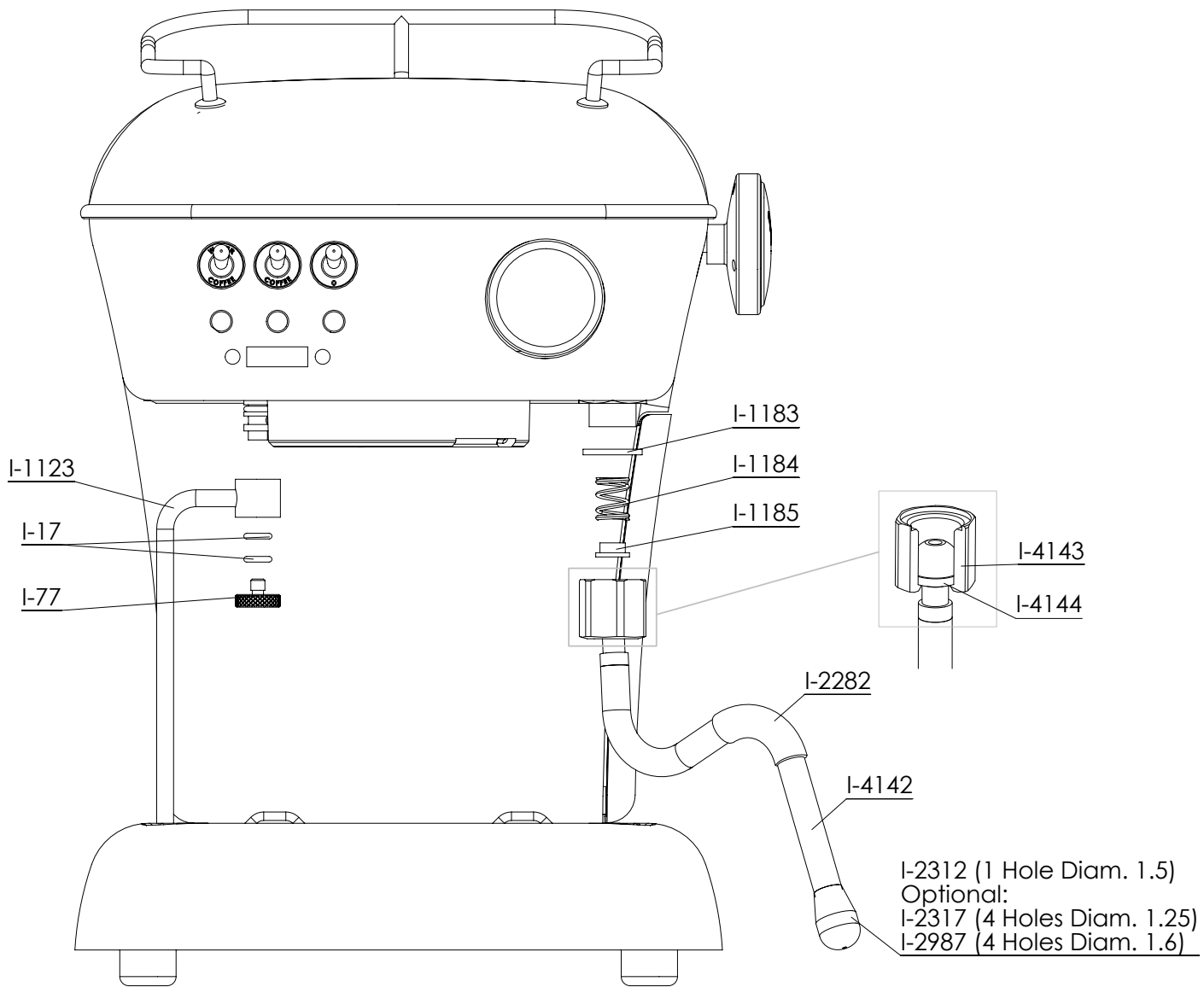
REF.	DESCRIPCIÓN	DESCRIPTION
ESC13	CONJUNTO CALIZ COMPLETO	LIMESTONE COMPLETE SET
ESC492	GRUPO INTERCAMBIADOR INOX DREAM PID PF 230V 2019	GROUP DREAM PID THERM. INOX F.H 230V 2019
ESC493	GRUPO INTERCAMBIADOR INOX DREAM PID PF 110V 2019	GROUP DREAM PID THERM. INOX F.H 110V 2019
I-7	CAMARA DE COMPRESION	COMPRESSION CHAMBER
I-9	CUERPO VÁLVULA RETENCIÓN	RETENTION VALE BODY
I-13	VÁLVULA SILICONA	SILICONE VALVE
I-15	MUELLE VÁLVULA RETENCIÓN	SPRING
I-17	JUNTA TÓRICA	O-RING
I-18	JUNTA CIALDA GRUPO	SILICONE RING
I-44	RACORD CODO	RL BIX FITTING
I-45	RACOR RECTO	STRAIGHT FITTING
I-46	REFUERZO TUBO	PIPE REINFORCEMENT
I-55	DUCHA	SHOWER
I-94	TUERCA APRIETE GRIFO	TAP NUT
I-129	RETENEDOR CABLE	TERMINAL WIRING
I-135	RACORD CODO 13280 4 1/8	FITTING
I-138	TUERCA BICONO 6 mm	NUT
I-139	BICONO DIAM, 6mm	BICONE
I-171	ARANDELA FIJACION SOPORTE BOMBA	WASHER
I-173	JUNTA GRUPO	TEFLON GASKET
I-199	REMACHE TB A2/A2 DIN 7337 D 3.2x12	LONG RIVET
I-230	EMBOLO ALUMINIO	PISTON WITH SHOWER
I-259	ELECTROV. 3 VIAS PASO 1.2 230V 1/8-1/8 0-15BAR	3 WAY SOLENOID
I-356	TORNILLO DIN 912 M5X16	ALLEN SCREW
I-358	TORNILLO PORTADUCHA M4 INOX	SCREW
I-396	ARANDELA DENTADA M5 INOX	WASHER
I-428	TORNILLO M5X20 ZINCADO	SCREW
I-666	REMACHE MEDIANO (3.2X8)	RIVET (3.2X8)
I-710	TUERCA VÁLVULA RETENCIÓN CON DUCHA	NUT
I-2109	TUBO SILICONA 5X8 (120mm)	SILICONE PIPE 5X8 (120mm)
I-2135	TUBO TEFLON 4x6x350	TEFLON PIPE 4x6x350
I-2237	CJTO. INTERCAMBIADOR INOX. 230V	THERMOBLOCK INOX 230V
I-2249	TORNILLO DIN 912 M5X50	SCREW
I-2280	JUNTA TÓRICA 68X2 SILICONA	O-RING 68X2 SILICONA
I-2285	RACOR CONEXION GRIFO	FITTING
I-2307	RACOR PROLONGACIÓN ENTRADA TERMOBLOCK	BASIC COFFEE GROUP EXTENSION
I-2499	MEMBRANA KAP	SILICONE WASHER KAP
I-2618	RACOR CODO 1/8 M-M INOX	ELBOW FITTING 1/8M-M NOX
I-2821	BYPASS	BYPASS
I-2852	TUBO TEFLON 2x4 (240mm)	TEFLON PIPE 2x4 (240mm)
I-2958	ARANDELA APOYO	WASHER
I-2989	SILENT BLOCK BOMBA	PUMP SILENT BLOCK
I-3096	JUNTA INTERCAMBIADOR	HEAT EXCHANGER GASKET
I-3111	RACOR T H 1/8G" - H 1/8"G + M 1/8"R	FITTING T H 1/8G" - H 1/8"G + M 1/8"R
I-3692	TUERCA RACOR EV- SALIDA AGUA	RACOR NUT SOLENOID - WATER EXIT
I-3697	TAPA NUEVO INTERCAMBIADOR LATÓN	LIP
I-4234	RACOR CONEXIÓN INTERCAMBIADOR-MANOMETRO M6 1/8	RACOR CONNECTION THERMOBLOCK-MANOMETER M6 1/8
I-4246	RACOR CONEXIÓN DESCARGA DREAM PID	WATER EXIT EXTENSION DREAM PID
I-4249	CHAPA GRUPO DREAM PID	GROUP PLATE DREAM PID
I-4358	FUNDA TÉRMICA INTERCAMBIADOR INOX. PF	THERMAL SHEATH STAINLESS STEEL EXCHANGET FH
I-5214	RACOR OPV M12X1 M10 - TUBO TEFLÓN	OPV FITTING M12X1- M10X1 - PTFE PIPE
PM-317	BOMBA DREAM PID 230V	PUMP WHOLE DREAM PID 230V
PM-460	GRIFO DREAM PID 2019	TAP DREAM PID 2019

ESC13

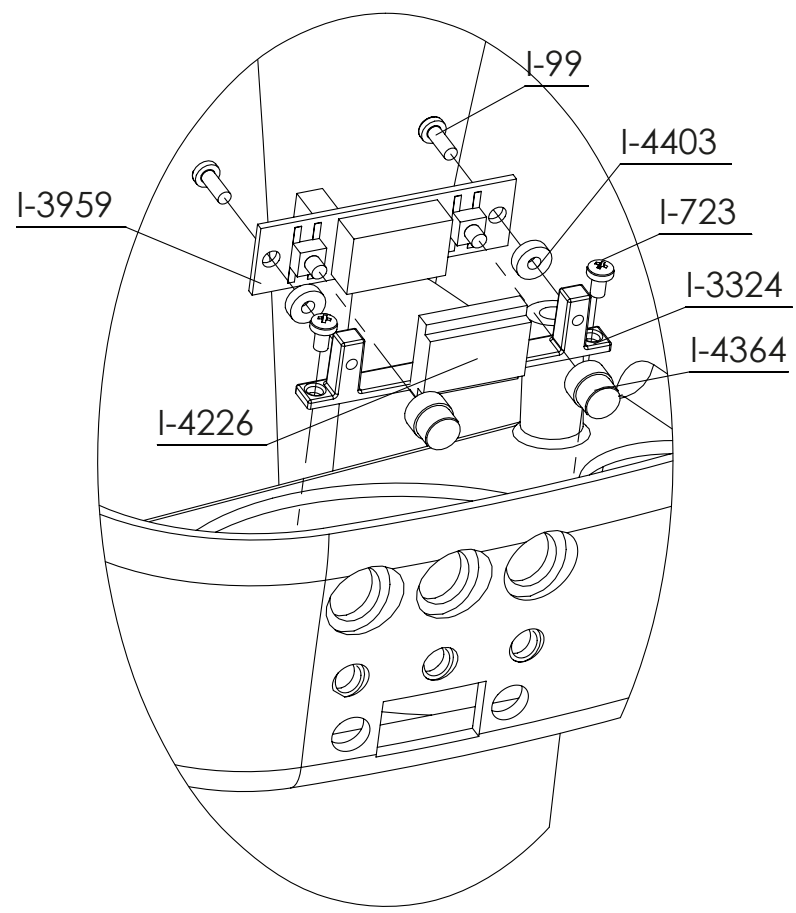


REF.	DESCRIPCIÓN
ESC13	CONJUNTO CALIZ COMPLETO
I-1	BASE PORTA FIJO PULIDO
I-4	SOPORTE MANGO
I-14	CASQUILLO RODADURA
I-22	CACILLO CIALDA Nº1
I-39	RODILLO LEVA INOX
I-44	RACOR CODO
I-135	RACOR CODO 13280 4 1/8
I-138	TUERCA BICONO
I-139	BOMBA CP4SP PLUS 230/240V 50Hz
I-185	PROTECTOR PORTA FIJO
I-292	BOMBA CP4SP PLUS 230/240V 50Hz
I-303	TORICA S-2
I-304	TORNILLO DUCHA INOX
I-675	BOMBA 110/120V 60 Hz
I-867	EMBUDO PLÁSTICO PF
I-868	SALIDA CAFE PLASTICO PF
I-895	TORNILLO FIJACIÓN EMBUDO INOX
I-1263	TUERCA BICONO 4
I-1264	BICONO 4mm
I-2618	RACOR CODO 1/8 M-M INOX
I-2720	VASTAGO ALUMINO 2015
I-2721	PIVOTE LEVA INOX 2015
I-2905	ARANDELA SEGURIDAD DIN471 E-10
I-2906	CUERPO GRIFO 2014
I-2907	EJE GRIFO 2014
I-2909	TUERCA CIERRE GRIFO 2014
I-2927	JUNTA TORICA 2x8 SILICONA
I-3002	RACOR BOMBA
I-4247	PROLONGACIÓN GRIFO A 3/8"
I-4887	EJE GRIFO VAPOR COMPLETO
I-4962	TACO CIERRE GRIFO 2020
I-4969	SOPORTE TACO CIERRE GRIFO 2020
I-5212	LEVA PF COMPLETA 2018
PM-317	BOMBA DREAM PID 230V
PM-318	BOMBA DREAM PID 110V
PM-460	GRIFO DREAM PID 2019
PM-491	SISTEMA COMPLETO CUERPO GRIFO 2020
PM-492	SISTEMA COMPLETO SOPORTE-TACO CIERRE GRIFO 2020

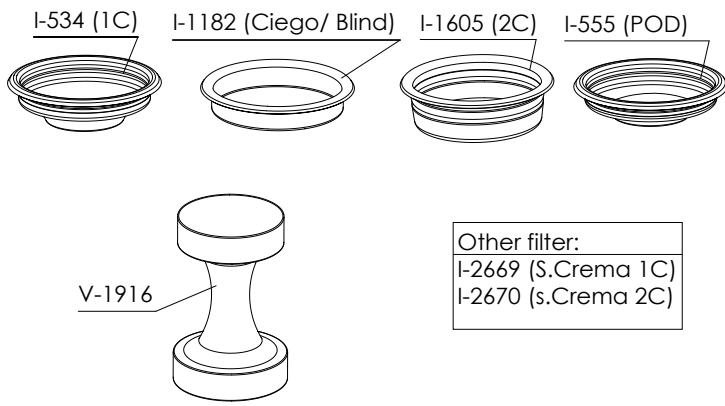
DESCRIPTION
LIMESTONE COMPLETE SET
FIXED FILTERHOLDER BASE
HANDLE SUPPORT
CAP
Nº1 POD FILTER
LEVER ROLLER
RL BOX FITTING
FITTING
NUT
230V 50Hz PUMP
PROTECTOR
230V 50Hz PUMP
S-2 RING
SHOWER SCREW
110/120V 60Hz PUMP
PLASTIC FUNNEL PF
COFFEE SPOUT 1 WAY PLASTIC
FUNNEL FIXED SCREW
BICONE NUT 4
BICONE 4
ELBOW FITTING 1/8 M-M INOX
ALUMINIUM SHAFT 2015
INOX LEVER PIVOT 2015
LOCK RING DIN471 E-10
TAP BODY 2014
TAP SHAFT 2014
TAP LOCKING NUT 2014
OR 2x8.5 SILICONA
PUMP FITTING
TAP EXTENSION TO 3/8"
COMPLETE STEAM TAP AXLE
TAP CLOSING PEG 2020
SUPPORT FOR TAP CONNECTOR 2020
CAM FH COMPLETE 2018
PUMP WHOLE DREAM PID 230V
PUMP WHOLE DREAM PID 110V
TAP DREAM PID 2019
COMPLETE SYSTEM TAP BODY 2020
COMPLETE SYSTEM SUPPORT - TAP STOPPER 2020



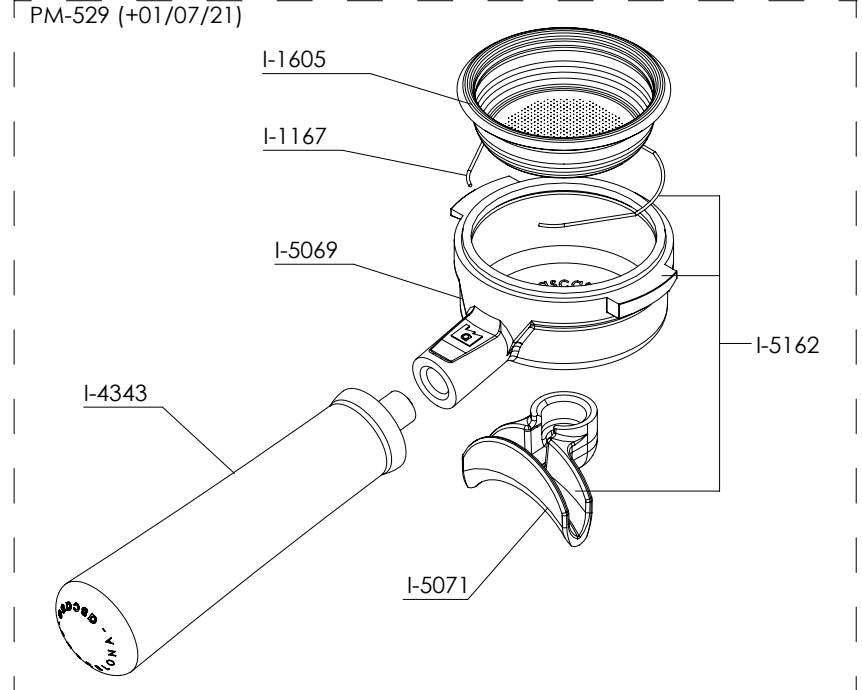
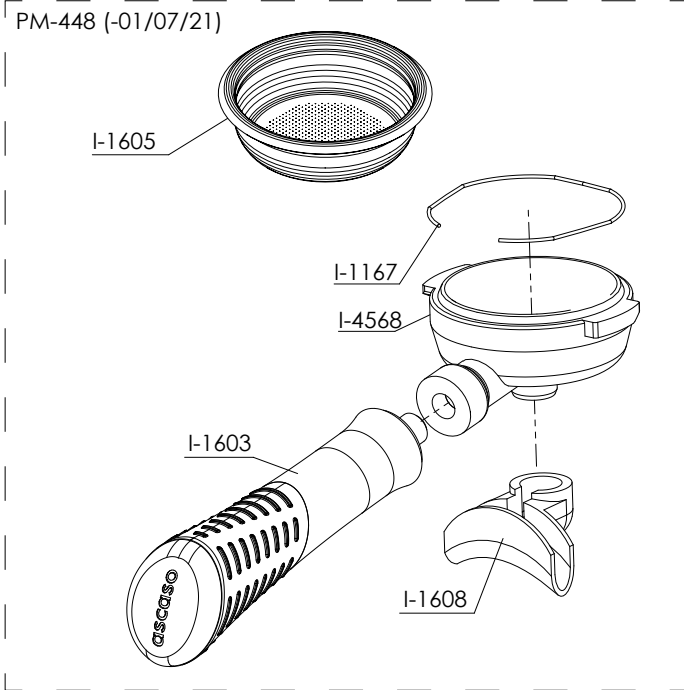
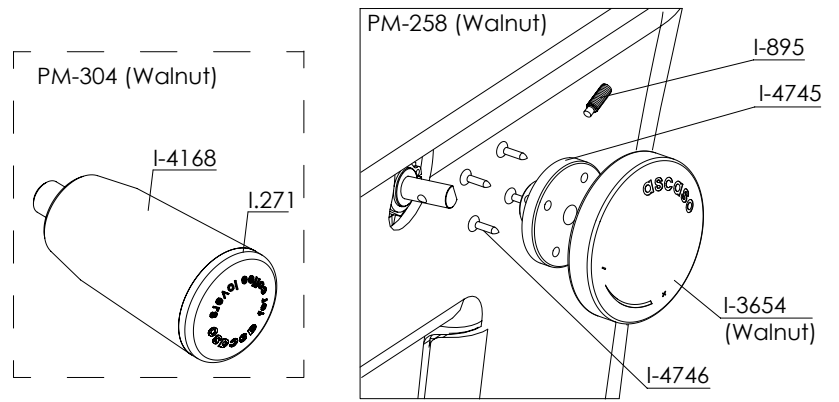
REF.	DESCRIPCIÓN	DESCRIPTION
I...17	JUNTA TORICA	SILICONE RING
I...77	FIJADOR TUBO VAPOR	PIPE STEAM SCREW
I.1123	TUBO DESCARGA	DRAIN PIPE
I.1183	ARANDELA GRIFO AGUA	WATER TAP WASHER
I.1184	MUELLE GRIFO SALIDA VAPOR-AGUA	STEAM - WATER OUTLET TAP SPRING
I.1185	GUIA MUELLE GRIFO AGUA	SPRING GUIDE WATER TAP
I.2282	PROTECTOR TUBO VAPOR INOX BARISTA D.10mm	STEAM TUBE PROTECTOR BARISTA D.10mm
I.2312	SALIDA TUBO VAPOR 1 AGUJERO STEEL PROF	STEAM PIPE OUTLET
I.2317	SALIDA VAPOR INOX BARISTA PTFE D.10mm (4xD1.25)	STEAM OUTLET INOX BARISTA PTFE D.10mm (4x1.25)
I.2987	SALIDA VAPOR INOX BARISTA PTFE D.10mm (4xD1.6)	STEAM OUTLET INOX BARISTA PTFE D.10mm (4x1.6)
I.4142	TUBO VAPOR MD STEEL UNO/DUO PROF PTFE D.10mm	UNO/DUO PROF PIPE PTFE D.10mm
I.4143	TUERCA TUBO VAPOR/AGUA PTFE	NUT STEAM/ WATER PTFE
I.4144	JUNTA TEFLON TUBO VAPOR/AGUA PTFE	TEFLON GASKET STEAM/ WATER PTFE



REF.	DESCRIPCIÓN	DESCRIPTION
I...99	TORNILLO DIN 7985 M3x8 INOX A-4	SCREW DIN 7985 M3x8 INOX A-4
I.723	TORNILLO DIN 7985 M3 X 5 INOX	SCREW DIN 7985 M3 X 5 INOX
I.3324	SOPORTE DISPLAY DREAM PID	BRACKET DISPLAY DREAM PID
I.3959	DISPLAY DREAM/STEEL PID	DREAM DISPLAY MULTIFUN. CIRCUIT
I.4226	MIRILLA PANTALLA DREAM PID	SCREEN DREAM PID
I.4364	TECLA DREAM PID 2018	KEY DREAM PID 2018
I.4403	ARANDELA NYLON 3/8X2.5	WASHER NYLON 3/8X2.5

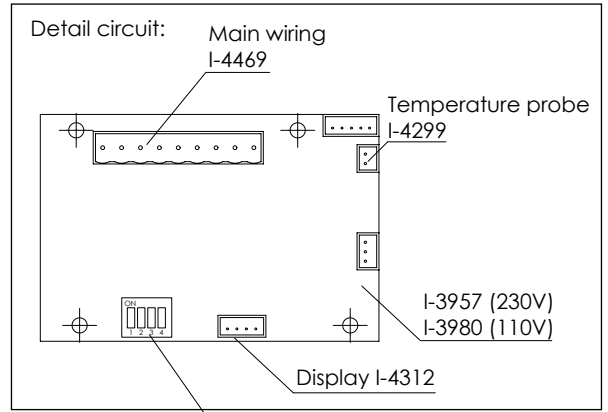
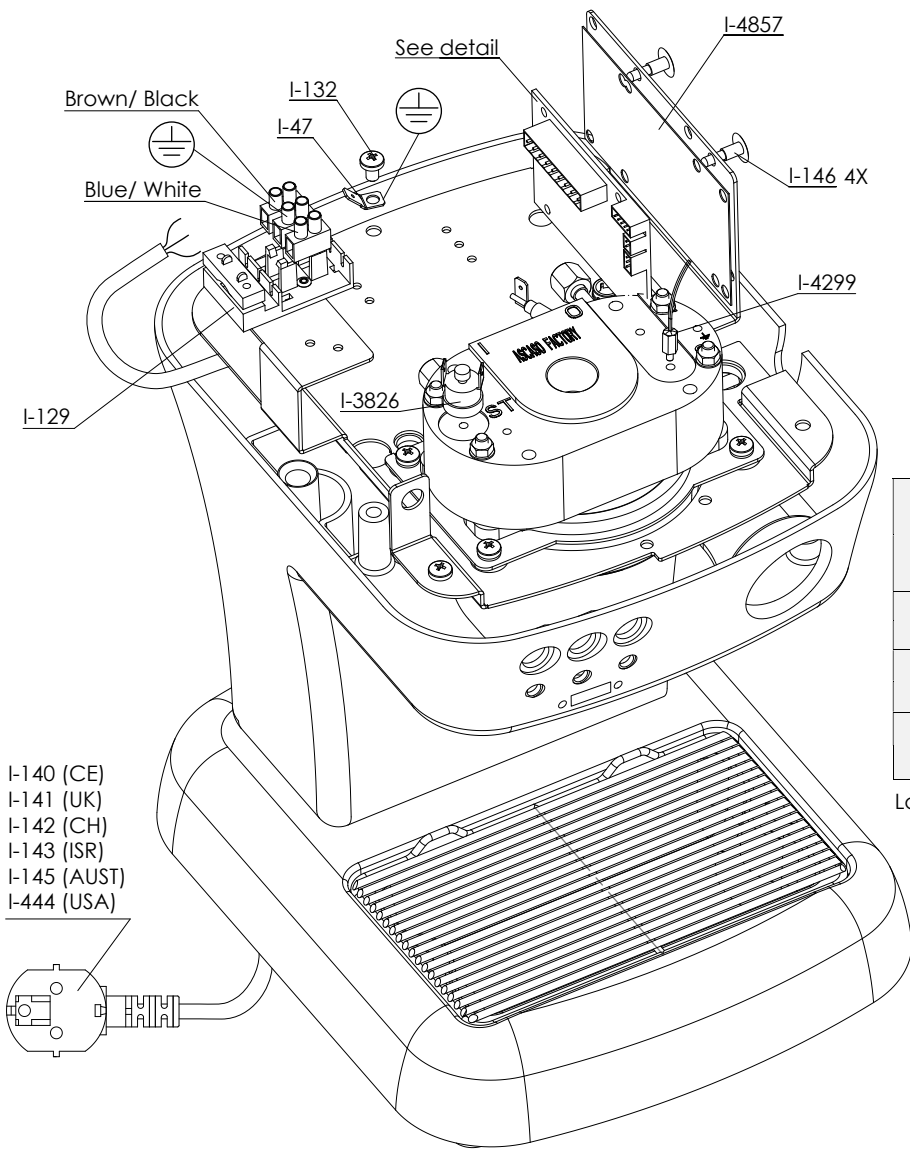


Other filter:
I-2669 (S.Crema 1C)
I-2670 (s.Crema 2C)



REF.	DESCRIPCIÓN
I..271	TAPON MANGO CROMADO
I..534	CACILLO 1 CAFE PROFESIONAL
I..555	CACILLO POD PROF.
I..895	TORNILLO FIJACION EMBUDO INOX
I.1167	ARO RETENCION FILTRO PROF. (D.1MM)
I.1182	CACILLO CIEGO PROF/BARISTA
I.1603	MANGO PORTAFILTRO BARISTA
I.1605	CACILLO 2 CAFE
I.1608	SALIDA 2 CAFES ABIERTA
I.2669	CACILLO 1C SC PROF.
I.2670	CACILLO 2C SC PROF
I.3654	POMO VAPOR MADERA DREAM NOGAL
I.4168	MANGO PORTA CORTO MADERA NOGAL
I.4343	MANGO PORTA MADERA BARISTA T/ BIG DREAM PLUS NOGAL
I.4568	CUERPO PORTAFILTRO M12 INCLINADO EXTRA PROFUNDO
I.4745	CASQUILLO POMO VAPOR DREAM
I.4746	TORNILLO D2.5X10MM DIN 7505-A
I.5069	CUERPO PORTAFILTRO INOX
I.5071	SALIDA 2 CAFES ABIERTA INOX
I.5162	PORTAFILTRO M12 INCLINADO EXTRA PROFUNDO INOX. 2 CAFE
PM.258	POMO VAPOR MADERA DREAM COMPLETO NOGAL
PM.304	MANGO PORTA CORTO MADERA COMPLETO NOGAL
PM.448	PORTAFILTRO 2 CAFES BARISTA T
PM.529	PORTAFILTRO INOX. COMPLETO NOGAL 2 CAFES
V.1916	PRENSA CAFE ALUMINIO 57/58mm

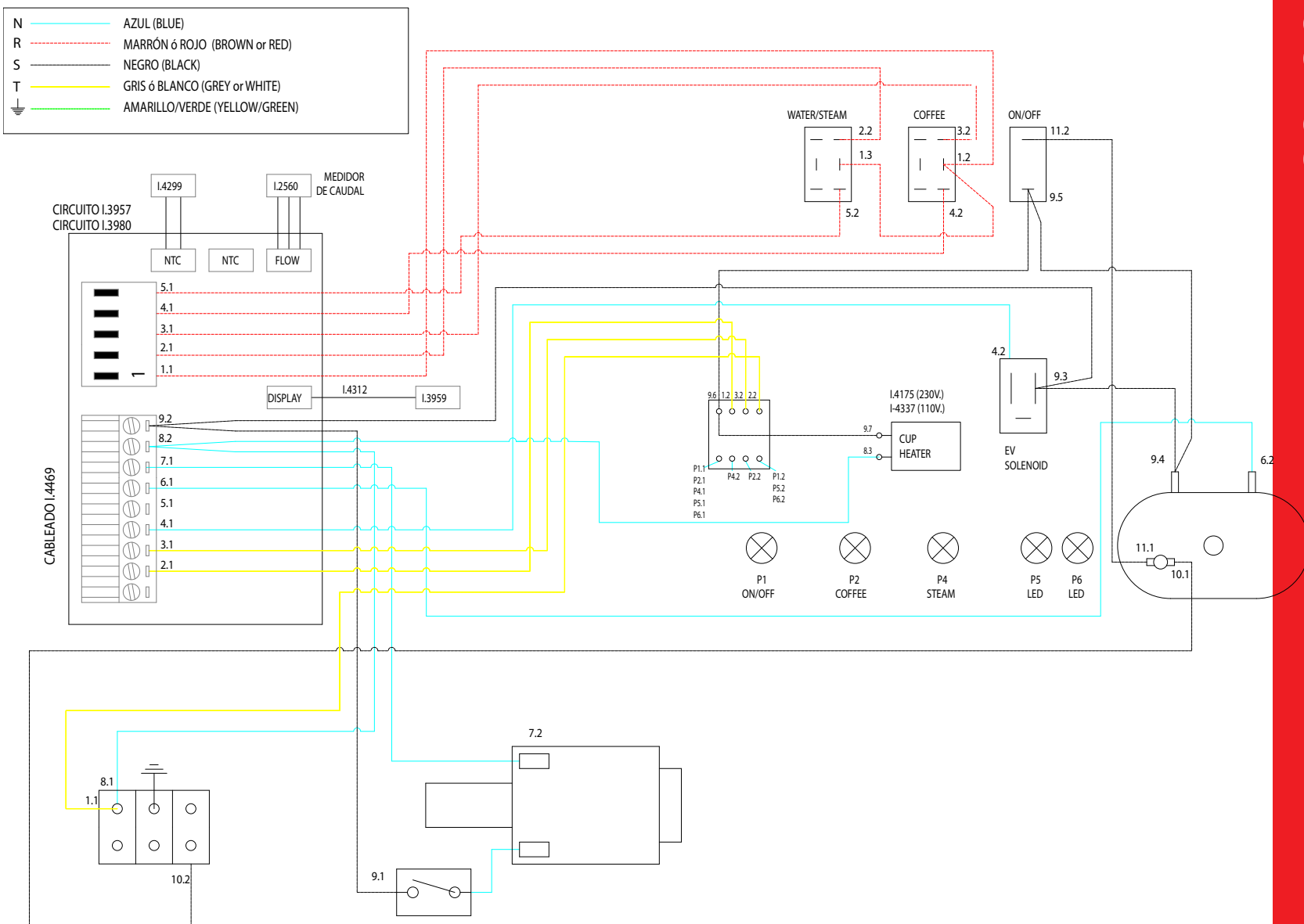
DESCRIPTION
PLUG
PROFESSIONAL 1 COFFEE FILTER
POD PROF. FILTER
FUNNEL FIXED SCREW
PROF FILTER SPRING
PROF BLIND FILTER
FILTERHOLDER HANDLE
2 COFFEES FILTER
2 COFFEES SPOUT
FILTER 1C SC PROF.
FILTER 2C SC PROF.
STEAM TAP WOOD DREAM
SMALL WOOD HANDLE
SET HANDLE WALNUT WOOD BARISTA / BIG DREAM PLUS
FILTER HOLDER BODY M12 EXTRA DEEP
FIXER STEAM HANDLE DREAM
SCREW D2.5X10MM DIN 7505-A
EXTRA DEEP INCLINED FILTER HOLDER BODY M12 STAINLESS
OUTPUT 2 OPEN STAINLESS STEEL COFFEE
2 COFFEE EXTRA DEEP INCLINED FILTER HOLDER M12 STAINLESS
SET STEAM TAP WALNUT WOOD DREAM
SMALL WALNUT WOOD HANDLE COMPLETE
2 COFFEES BARISTA T FILTERHOLDER
2 COFFEE STAINLESS COMPLETE FILTERHOLDER WALNUT WOOD
ALUMINUM COFFEE TAMPER



	DIP SW1				
	1	2	3	4	
CONTADOR VOLUMETRICO	ON	X	X	X	ACTIVADO
	OFF	X	X	X	DESACTIVADO
UNO DUO	X	ON	X	X	DUO
	X	OFF	X	X	UNO/DREAM
AGUA VAPOR	X	X	ON	X	DREAM
	X	X	OFF	X	UNO/DUO
DISPLAY	X	X	X	ON	ACTIVADO
	X	X	X	OFF	DESACTIVADO

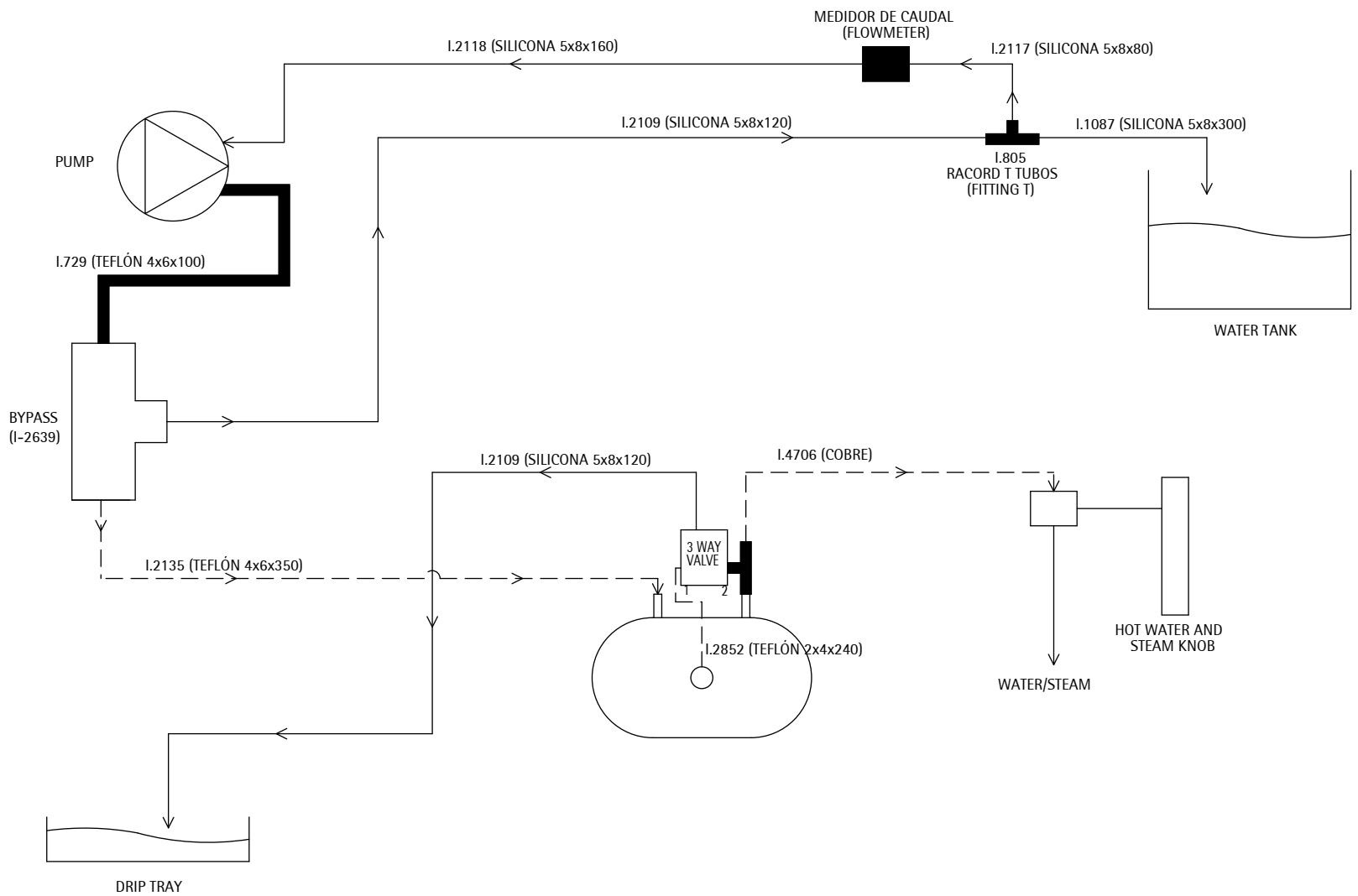
La "x" significa que no importa la posición, sea ON, o sea OFF.

REF.	DESCRIPCIÓN	DESCRIPTION
I...47	TERMINAL MASA	TERMINALE
I..129	RETENEDOR CABLE	TERMINAL WIRING
I..132	TORNILLO M5x8 INOX	SCREW
I..140	CABLE RED EUROPEO	WIRING 230v
I..141	CABLE RED UK	WIRING UK
I..142	CABLE RED SUIZA	SWITZERLAND WIRING
I..143	CABLE RED ISRAEL	ISRAEL WIRING
I..145	CABLE RED AUSTRALIA	AUSTRALIAN WIRING
I..146	SOPORTE PLACA ELECTRONICA	THERMOSTAT SUPPORT
I..444	CABLE RED USA HOME/KAP	USA WIRING (SJTO)
I.3826	TERMOSTATO SEGURIDAD 215°	SAFETY THERMOSTAT 215°
I.3957	CIRCUITO MULTIFUNCION+DISPLAY 230V	MULTIFUNCTION+DISPLAY PCB 230V.
I.3980	CIRCUITO MULTIFUNCION+DISPLAY 110V	MULTIFUNCTION+DISPLAY PCB 110V.
I.4299	SONDA TEMPERATURA INOX PID (M4)	INOX PID TEMPERATURE PROBE (M4)
I.4312	CABLEADO DISPLAY DREAM PID	DISPLAY WIRING DREAM PID
I.4469	CABLEADO DREAM PID COMPLETO	COMPLETE WIRING DREAM PID
I.4857	AISLANTE CENTRALITA HOME/STEEL	HOME/STEEL PCB PLASTIC PROTECTOR



REF.	DESCRIPCIÓN
I.2109	TUBO SILICONA 5X8 (120mm)
I.2560	CONTADOR VOLUMETRICO FHKSC
I.3957	CIRCUITO MULTIFUNCION+ DISPLAY 230V
I.3959	DISPLAY DREAM/STEEL PID
I.3980	CIRCUITO MULTIFUNCION + DISPLAY 110V
I.4175	CALIENTA TAZAS DREAM / STEEL PID 230V
I.4299	SONDA TEMPERATURA INOX PID (M4)
I.4312	CABLEADO DISPLAY DREAM PID
I.4337	CALIENTA TAZAS DREAM / STEEL PID 110V
I.4469	CABLEADO DREAM PID COMPLETO

DESCRIPTION
SILICONE PIPE 5X8 (120mm)
DIGMESA FLOWMETER
MULTIFUNCTION+DISPLAY PCB
DREAM DISPLAY MULTIFUNCTION CIRCUIT
MULTIFUNCTION + DISPLAY PCB 110V
CUPWARMER DREAM / STEEL PID 230V
INOX PID TEMPERATURE PROBE (M4)
DISPLAY WIRING DREAM PID
CUPWARMER DREAM / STEEL PID 110V
COMPLETE WIRING DREAM PID



REF.	DESCRIPCIÓN
I.729	TUBO TEFLON 4X6 (100MM)
I.805	RACOR T TUBOS
I.1087	TUBO SILICONA 5X8 (300MM)
I.2117	TUBO SILICONA 5X8 (80MM)
I.2118	TUBO SILICONA 5X8 (160MM)
I.2135	TUBO TEFLON 4X6 (350MM)
I.2639	BY-PASS ASCASO
I.2852	TUBO TEFLON 2X4 (240MM)
I.4706	TUBO VAPOR DREAM PID

DESCRIPTION
TEFLON PIPE 4X6 (100MM)
FITTING T
SILICONE PIPE 5X8 (300MM)
SILICONE PIPE 5X8 (80MM)
SILICONE PIPE 5X8 (160MM)
TEFLON PIPE 4X6 (350MM)
BY-PASS ASCASO
TEFLON PIPE 2X4 (240MM)
STEAM PIPE DREAM PID