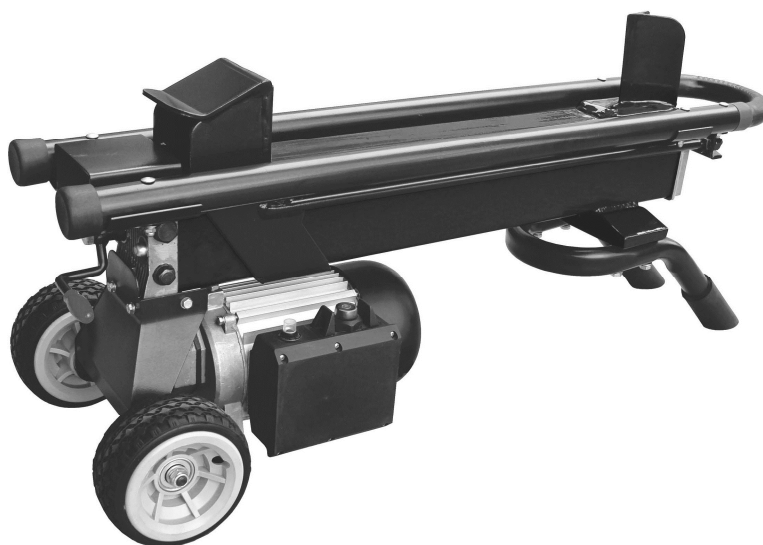


POWER SMART[®]

INSTRUCTION MANUAL

6 Ton Electric Log Splitter

Model # PS90/PS9006



Have product questions or need technical support? Please scan the QR code to enter our official website and contact us!

Website: www.powersmartusa.com

Toll free: 1-800-791-9458 M-F 9-5 EST

Email: support@amerisuninc.com



Website

CONTENTS

| | |
|---|----|
| Technical data..... | 3 |
| Introduction..... | 4 |
| Safety information..... | 4 |
| General safety rules..... | 5 |
| Specific safety rules for log splitter..... | 6 |
| Electrical information..... | 7 |
| Knowing your log splitter..... | 9 |
| Assembly and adjustments..... | 10 |
| Operation..... | 12 |
| Maintenance..... | 15 |
| Troubleshooting..... | 17 |
| Exploded view & parts list..... | 18 |
| Warranty..... | 21 |

TECHNICAL DATA

| | |
|-----------------------------|--|
| 6 Ton Electric Log Splitter | Model # PS90/PS9006 |
| Motor: | 120V, 60 Hz, 15A |
| Splitting force: | 6 Tons |
| Cycle time: | 28 Seconds |
| Motor speed: | 3500 RPM |
| Log capacity: | 10-inch Diameter 21-inch Length |
| Hydraulic pressure: | 3016 PSI |
| Hydraulic fluid: | AW32 hydraulic fluid for operation over 40°F or automatic transmission fluid for operation below 40°F |
| Hydraulic tank capacity: | 3.2 Quarts |
| Cylinder stroke: | 15.4 inches |
| Package dimensions (LxWxH): | 43 1/8 x 13 x 20 1/4 inches |
| Weight: | 104 lb. |

INTRODUCTION

Thank You for Purchasing a PowerSmart® Product. This manual provides information regarding the safe operation and maintenance of this product. Every effort has been made to ensure the accuracy of the information in this manual. PowerSmart® reserves the right to change this product and specifications at any time without prior notice.

Please keep this manual available to all users during the entire life of the log splitter.



This manual contains special messages to bring attention to potential safety concerns, log splitter damage as well as helpful operating and servicing information. Please read all the information carefully to avoid injury and machine damage.

QUESTIONS? PROBLEMS?

Please contact our Customer Service Dept. with any questions and/or comments, either by Email: support@amerisuninc.com, or Toll Free at (800)791-9458. We are available Mon-Fri 9am-5pm EST to help solve any issues that you might encounter.

SAFETY INFORMATION

Before operating this log splitter, read and observe all warnings, cautions, and instructions on the log splitter and in this Owner's Manual.

NOTE: The following safety information is not meant to cover all possible conditions and situations that may occur. Read the entire Owner's Manual for safety and operating instructions. Failure to follow instructions and safety information could result in serious injury or death.

This safety alert symbol is used to identify safety information about hazards that can result in personal injury.



A signal word (DANGER, WARNING, or CAUTION) is used with the alert symbol to indicate the likelihood and the potential severity of injury. In addition, a hazard symbol may be used to represent the type of hazard.

DANGER Indicates a hazard, which, if not avoided, will result in death or serious injury.

WARNING Indicates a hazard, which, if not avoided, could result in death or serious injury.

CAUTION Indicates a hazard, which, if not avoided, might result in minor or moderate injury.

CAUTION Without the alert symbol, indicates a situation that could result in damage.

GENERAL SAFETY RULES

Safety is a combination of common sense, staying alert, and knowing how your log splitter works.
SAVE THESE SAFETY INSTRUCTIONS.



WARNING: To avoid mistakes that could cause serious injury, do not plug in log splitter until the following steps have been read and understood.



WARNING: This appliance is not intended for use by children or by unassisted, unsupervised persons whose physical, sensory or mental capabilities prevent them from using it safely. Children should be supervised to ensure that they do not play with the appliance.

Before starting up your machine, please check it carefully for any defects. If you find any, do not start up your machine. Please call Power Smart customer service at 1-800-791-9458 M-F 9-5 EST.



WARNING: When using the log splitter, basic safety precautions should always be followed to reduce the risk of fire, electric shock, and personal injury. These include:

- **Know your product** – Know how to stop the machine. Thoroughly familiarize yourself with the controls.
- **Keep bystanders away** – All visitors and pets should be kept a safe distance away from the work area.
- **Use the right product** – Do not use this machine for any job except that for which it is intended.
- **Dress properly** – Do not wear loose clothing or jewelry. They can get caught in moving parts. Protective rubber gloves and non-slip footwear are recommended when working outdoors.



CAUTION! – Exercise caution to avoid slipping or falling. Wear protective footwear that will protect your feet and improve your footing on slippery surfaces.

- **Stay alert** – Watch what you are doing. Use common sense. Do not operate the log splitter when you are tired, or under the influence of alcohol or drugs.
- **Do not overreach** – Keep proper footing and balance at all times.
- **Avoid unintentional starting** – Do not carry a plugged in machine with your finger on the trigger. Make sure the switch is off before plugging in the machine.
- **Do not abuse the cord** – Never carry the machine by the cord or yank the cord to disconnect it from the receptacle. Keep the cord away from heat, oil, and sharp edges.
- **Use safety glasses** – Also use safety footwear, snug-fitting clothing, protective gloves, hearing and head protection.

SPECIFIC SAFETY RULES FOR LOG SPLITTER



WARNING: Do not operate your log splitter until it is completely assembled and installed according to the instructions.

1. IF YOU ARE NOT thoroughly familiar with the operation of the log splitter, obtain instruction from a qualified person.
2. MAKE SURE wiring codes and recommended electrical connections are followed. When servicing, use only identical replacement parts. Disconnect log splitter from the power source before making adjustments or repairs.
3. Place the log splitter on a stable, flat, and level work surface where there is plenty of room for handling logs.
4. INSPECT THE LOG SPLITTER before each use. Keep guards in place and in working order. Replace damaged, missing, or failed parts before using.
5. Do not alter the log splitter. Altering the tool or exceeding its design capabilities and capacities could result in serious injury or fatality and will void the warranty.
6. MAKE SURE THE EXTENSION CORD is no longer than 25 ft., 14 gauge. Ensure the power cord is rated for outdoor use. Ground the log splitter and avoid contact with grounded surfaces during operation. See “Electrical Information” for further details.
7. MAKE all adjustments with the switch in the OFF position and the log splitter disconnected from the power source.
8. Never use the log splitter for any other purpose than splitting wood. Any other use can result in injury. Use extreme caution at all times.
9. PREPARE LOGS FOR SPLITTING. Make sure the ends of the logs are cut square. Cut off any branches flush with the trunk.
10. INSPECT EACH LOG before splitting. Make sure there are no nails or foreign objects in the log.
11. Only a single operator should load and operate the log splitter. Keep all others, including children and pets, a minimum of 20 in. (6.1 m) away from the work area.
12. NEVER TRY TO SPLIT LOGS larger than the rated capacity of the tool. Attempting to do so could result in personal injury and damage to the tool.
13. Split only one log at a time. Do not attempt to split two logs on top of each other.
14. DO NOT put your hands or feet between the log and the splitting wedge or between the log and the push rod while the tool is in operation.



WARNING: KEEP HANDS AWAY FROM SPLITS AND CRACKS WHICH OPEN IN THE LOG. THEY MAY CLOSE SUDDENLY AND CRUSH OR AMPUTATE YOUR HANDS.

15. Do not attempt to load a log while the push rod is in motion. When loading, place your hands on the sides of the log, not on the ends.
16. WAIT FOR THE PUSH ROD TO STOP MOVING before loading another log onto the log splitter. Do not try to remove a split log until the entire splitting cycle is completed.
17. Use only your hands to operate the control lever. Never use your foot, knee, rope, or extension device.
18. Never use your hands to remove a jammed log. If a jam should occur, release the ON/OFF push button. Follow the instructions in this manual for removing a jammed log.
19. Stack logs as you work. This will provide a safer, less cluttered work area.

ELECTRICAL INFORMATION

Grounding instructions

IN THE EVENT OF A MALFUNCTION OR BREAKDOWN, grounding provides the path of least resistance for electric current and reduces the risk of electric shock. This tool is equipped with an electric cord that has an equipment grounding conductor and a grounding plug. The plug **MUST** be plugged into a matching outlet that is properly installed and grounded in accordance with ALL local codes and ordinances.

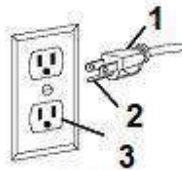
DO NOT MODIFY THE PLUG PROVIDED. If it will not fit the outlet, have the proper outlet installed by a licensed electrician.

IMPROPER CONNECTION of the equipment grounding conductor can result in electric shock. The conductor with the green insulation (with or without yellow stripes) is the equipment grounding conductor. If repair or replacement of the electric cord or plug is necessary, **DO NOT** connect the equipment grounding conductor to a live terminal.

CHECK with a licensed electrician or service personnel if you do not completely understand the grounding instructions, or if you are not sure if the tool is properly grounded.

USE ONLY THREE-WIRE EXTENSION CORDS that have 3-pronged plugs and outlets that accept the tool's plug as shown in Fig. A. Repair or replace a damaged or worn cord immediately.

Fig.A



- 1 3-pronged plug**
- 2 grounding prong**
- 3 properly grounded outlet**



CAUTION: In all cases, make certain the outlet in question is properly grounded. If you are not sure if it is, have a licensed electrician check the outlet.



WARNING: Do not expose to rain or use in damp locations.

Guidelines for using extension cords

Make sure your extension cord is in good condition. When using an extension cord, be sure to use one heavy enough to carry the current your product will draw. An undersized cord will cause a drop in line voltage resulting in loss of power and overheating. The table below shows the correct size to be used according to cord length and nameplate ampere rating. If in doubt, use the next heavier gauge. The smaller the gauge number, the heavier the cord.

Minimum Gauge for Extension Cords (AWG)
(When using 120 V only)

| Ampere Rating | | Total Length of Cord in feet | | | |
|---------------|---------------|------------------------------|----|-----------------|-----|
| More Than | Not More Than | 25 | 50 | 100 | 150 |
| 0 | 6 | 18 | 16 | 16 | 14 |
| 6 | 10 | 18 | 16 | 14 | 12 |
| 10 | 12 | 16 | 16 | 14 | 12 |
| 12 | 16 | 14 | 12 | Not Recommended | |

Make sure your extension cord is properly wired and in good condition. Always replace a damaged extension cord or have it repaired by a qualified person before using it.

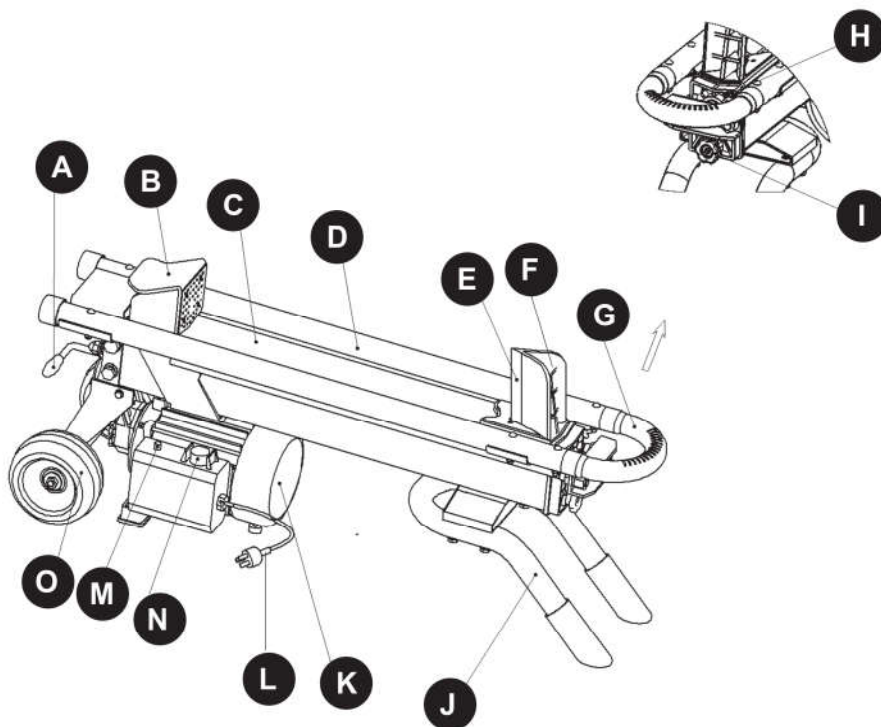
Protect your extension cords from sharp objects, excessive heat and damp or wet areas.

Use a separate electrical circuit for your tools. This circuit must not be less than a #12 wire and should be protected with a 15 A time-delayed fuse. Before connecting the motor to the power line, make sure the switch is in the OFF position and the electric current is rated the same as the current stamped on the motor nameplate. Running at a lower voltage will damage the motor.



WARNING: This tool must be grounded while in use to protect the operator from electric shock.

KNOWING YOUR LOG SPLITTER

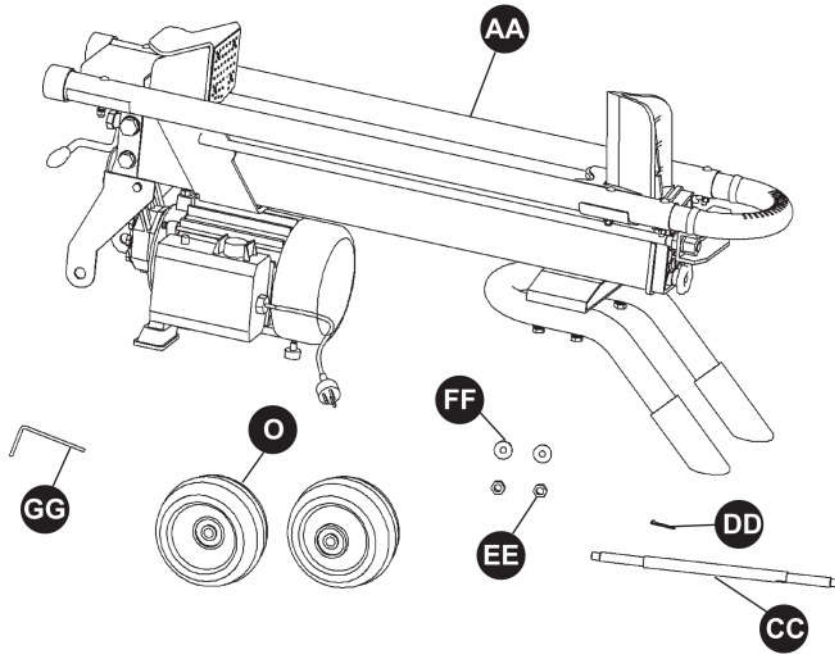


| | | | |
|---|-------------------------|---|---|
| A | Hydraulic control lever | I | Fluid fill & drain location with dipstick |
| B | Push rod | J | Front leg |
| C | Worktable | K | Motor |
| D | Worktable guard | L | Power cord |
| E | Splitting wedge | M | Circuit breaker |
| F | Rear of wedge | N | ON/OFF push switch |
| G | Handle | O | Wheel |
| H | Bleed screw | | |

ASSEMBLY AND ADJUSTMENTS

Unpacking

Unpack the log splitter and all its parts, and compare against the list below. Do not discard the carton or any packaging until the log splitter is completely assembled.



| Part | Description | Quantity | Part | Description | Quantity |
|------|--------------|----------|------|-------------|----------|
| AA | Log Splitter | 1 | FF | Flat Washer | 2 |
| CC | Wheel Shaft | 1 | O | Wheel | 2 |
| DD | Cotter Pin | 1 | GG | Allen Key | 1 |
| EE | Lock Nut | 2 | | | |

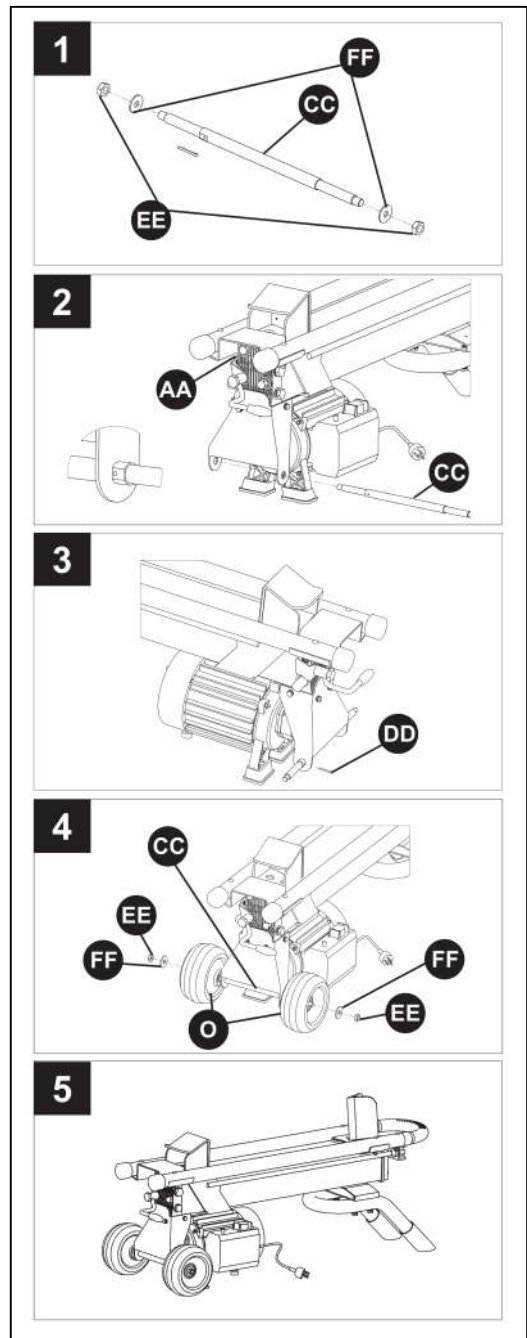
Wheel assembly

1. Unscrew the lock nuts (EE) and flat washers (FF) from the wheel shaft (CC).

2. Insert the wheel shaft (CC) into the frame of the log splitter (AA) (Figure 2) and secure with the cotter pin (DD) (Figure 3).

3. Secure the wheels (O) to the wheel shaft (CC) using the lock nuts (EE) and flat washers (FF) (Figure 4).

4. Log splitter is fully assembled (Figure 5).



OPERATION

WARNING: Read and thoroughly understand all instructions and safety information before operating this log splitter. Failure to do so may cause serious injury or death. Do not allow anyone to operate this log splitter who has not read this manual. As with all power equipment, a log splitter can be dangerous if assembled or used improperly. Do not operate this log splitter if you have doubts or questions concerning safe operation. Call our customer service department at 1-800-791-9458 to address these concerns.



WARNING: Always wear safety glasses, safety gloves, safety shoes and suitable work clothing when operating this log splitter. Do not wear jewelry, neckties or other loose clothing which could get caught in moving parts.



WARNING: Keep hands and feet clear of the ram and wedge at all times.



WARNING: Do not start or operate this machine in the presence of flammable liquids or gases.

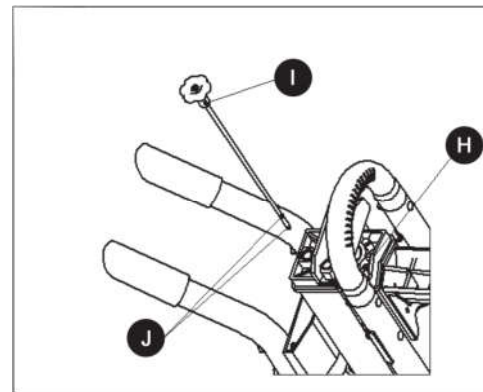
BEFORE OPERATING

Check the hydraulic fluid level

Before operating, select a suitable work area and check the level of hydraulic fluid.

A safe work area will contain a flat surface on which to place the log splitter, as well as ample room to stack both split and unsplit logs. Make sure there is a safe electrical connection no more than 25 feet from the workspace.

1. Make sure the bleed screw (H) is closed.
2. Lift up on the handle of the log splitter. Make sure the splitter is resting securely and will not fall.
3. Unscrew the dipstick (I).
4. Pull out dipstick.
5. Wipe the fluid off the dipstick.
6. Put the dipstick back in the fluid tank and then pull it out again.
7. Check the fluid level. It should be between the two notches (J) near the end of the dipstick.
8. Add fluid, if needed.
9. Replace the dipstick and tighten it



Remember to use AW32 fluid for operation at temperatures above 40 degrees Farenheit, and automatic transmission fluid for operation below 40 degrees Farenheit. The Log Splitter is pre-loaded with AW32 fluid during the manufacturing process.

Select a work area

Place the log splitter on a flat, stable surface. Make sure there is sufficient room for the unsplit logs and for the stacks of split logs. Make sure there is a safe electrical connection no more than 25 ft. from the work area.

Note: Transporting and lifting the log splitter is a two-person job. The wheels are designed for moving the log splitter very short distances.



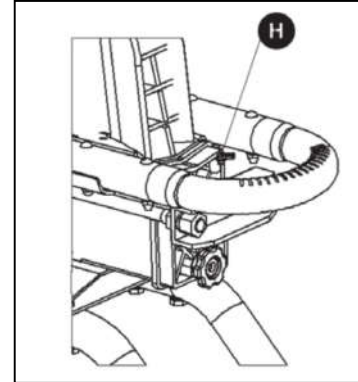
WARNING: ALWAYS LOOSEN THE BLEED SCREW PRIOR TO OPERATION. THIS WILL REMOVE ANY AIR TRAPPED IN THE HYDRAULIC SYSTEM. FAILURE TO RELEASE AIR FROM THE HYDRAULIC SYSTEM MAY DAMAGE THE SEALS AND PERMANENTLY DAMAGE THE LOG SPLITTER.

1. Loosen the bleed screw (H) Counter-clockwise one or two turns to allow air to be released from the hydraulic system.

Note: A flow of air through the bleed screw should be detectable while the log splitter is in use.

2. Close the bleed screw (H) after operation.

Note: Check the bleed screw and make sure it is closed before and during transporting the log splitter to and from the jobsite and storage area. Hydraulic fluid may leak through the bleed screw opening if the bleed screw is not fully tightened.



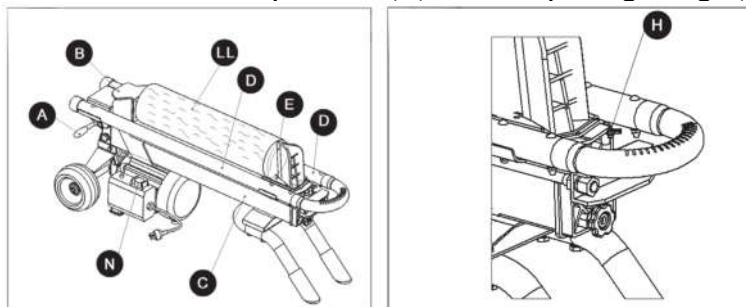
WARNING: NEVER TRY TO SPLIT LOGS LARGER THAN THE RATED CAPACITY OF THE LOG SPLITTER. ATTEMPTING TO DO SO COULD RESULT IN PERSONAL INJURY AND DAMAGE TO THE LOG SPLITTER.

Select/prepare a log for splitting

1. Make sure there are no nails or foreign objects in the log.
2. Make sure the end of each log to be split is square.
3. Remove any branches by cutting them flush with the trunk.
4. Make sure each log is no longer than 21 in. and the diameter is 10 in. or less.

Place a log on the log splitter

Place a properly prepared log (LL, not included) firmly on the worktable (C) between the two worktable guards (D). The log should fit between the push rod (B) and the splitting wedge (E).



Operate the log splitter

Two controls, a hydraulic control lever (A) and an ON/OFF push button (N), must be activated to operate the log splitter. Both controls must be held during the splitting process. If either control is released, the log splitter will stop automatically.

1. Loosen the bleed screw (H) one or two turns, if needed.
2. Depress and hold the ON/OFF push button (N) with your right hand and allow the motor to cycle up to speed.
3. Push down on the hydraulic lever (A).
4. Release the ON/OFF push button (N) and the lever (A) when the log is split. The push rod (B) will retract.



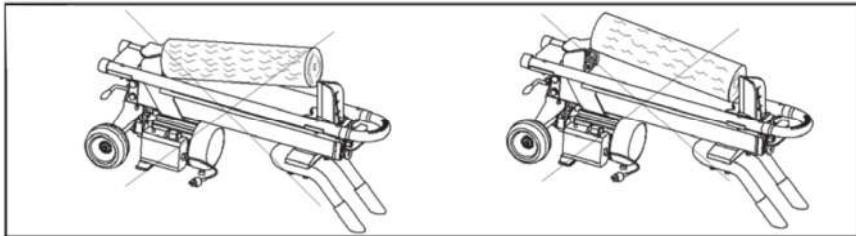
WARNING: If the log does not begin to split after 5 seconds of operation, release both controls. The motor or hydraulic fluid may overheat and damage the machine.

Remove a jammed log

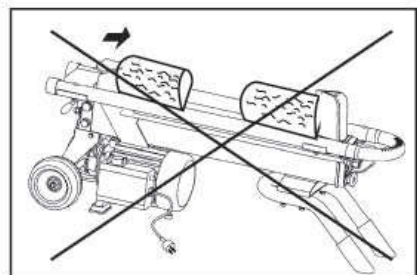
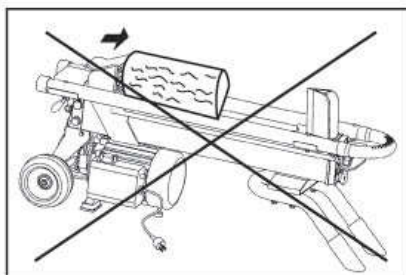
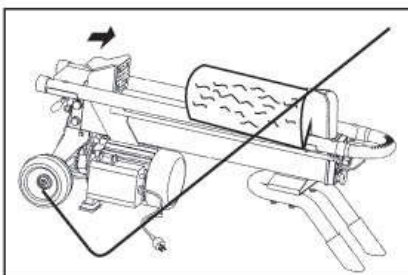


WARNING: Do not attempt to remove a jammed log with your hand or try to knock it off the worktable. Doing so may cause injury and may also damage the splitting wedge.

1. Release the ON/OFF push button (N) and the hydraulic lever (A) to turn off the power and retract the push rod (B).
2. Insert a wooden wedge (MM, not included) under the jammed log (LL).
3. Activate the push button (N) and the hydraulic lever (A) to start the log splitter and push the wedge under the log.
4. Release both controls when the log is freed, or when the log is at the height of the wooden wedge (MM).



5. Repeat steps 3 through 4 until the log is freed.
6. Never try to split logs larger than the rated capacity of the log splitter. Attempting to do so could result in personal injury and damage to the log splitter.
7. Never place hands or feet between log and splitting wedge or between log and ram during forward or reverse stroke.
8. Keep clear of moving parts.
9. Do not attempt to split more than one log at one time.



MAINTENANCE

WARNING

Prior to inspection or maintenance, turn off power switch and disconnect plug from power source.

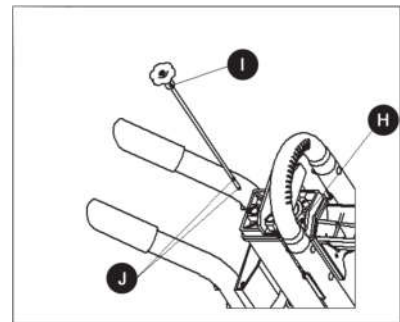
Check the level of hydraulic fluid before each use. Replace the hydraulic fluid at the beginning of each season or if the fluid level is low. Use an AW32 hydraulic fluid for operation over 40°F and automatic transmission fluid for operation below 40°F.

Check the hydraulic fluid level



WARNING: Lifting the log splitter is a two person operation. Once raised, make sure the log splitter is stable before performing any maintenance.

1. Make sure the bleed screw (H) is closed.
2. Lift up on the handle of the log splitter. Make sure the splitter is resting securely and will not fall.
3. Use the hex wrench to loosen the fluid drain bolt (I).
4. Pull out the bolt with attached dipstick.
5. Wipe the fluid off the dipstick.
6. Put the dipstick back in the fluid tank and then pull it out again.
7. Check the fluid level. It should be between the two notches (J) near the end of the dipstick.
8. Add fluid, if needed.
9. Replace the dipstick and tighten the fluid drain bolt.



Replace hydraulic fluid

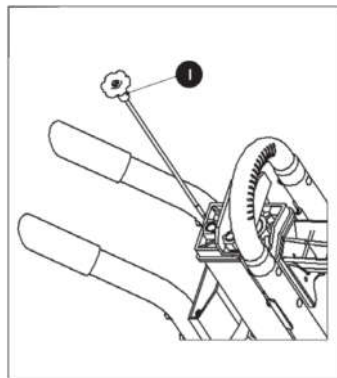
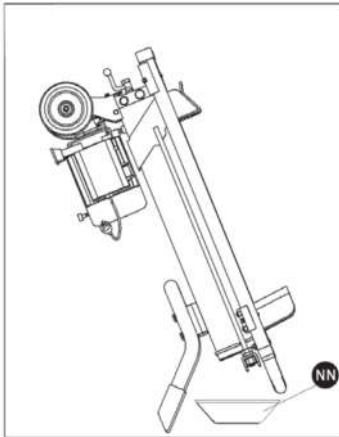


WARNING: Lifting the log splitter is a two person operation. Once raised, make sure the log splitter is stable before performing any maintenance.

1. Place a 1 gallon (or larger) pan (NN, not included) under the motor end of the log splitter.
2. Use the hex wrench to loosen the fluid drain bolt (1) and remove the bolt with attached dipstick.
3. Raise the splitting wedge end of the log splitter to allow the fluid to drain into the pan. Lower the splitter when it is empty.

Note: Dispose of used fluid properly.

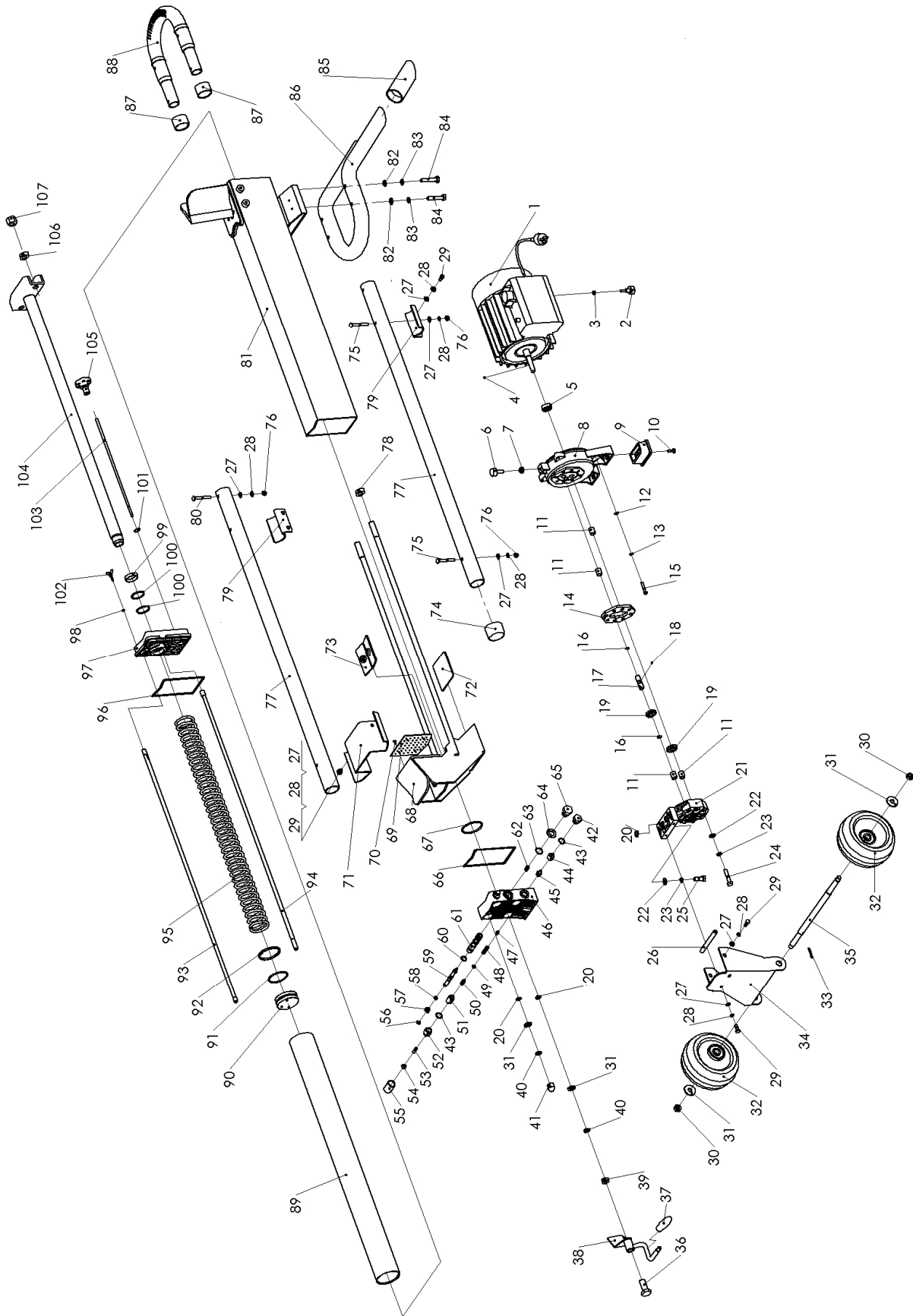
4. Raise the motor end of the splitter and make sure it is secure.
5. Pour approximately 3.2 quarts of approved hydraulic fluid for operation over 40°F or automatic transmission fluid for operation below 40°F.
6. Check the fluid level with the dipstick. Add more fluid if needed.
7. Replace the fluid drain bolt (2) and tighten securely.
8. Lower the log splitter.



TROUBLESHOOTING

| Problem | Cause | Action |
|--|---|--|
| Logs will not split | Extension cord is too long or gauge is too low. | Check extension cord to ensure the gauge of the cord is 10 or 12 AWG and that the cord length does not exceed 25 ft. |
| | Incorrect positioning of the log. | Make sure the log is properly positioned on the worktable. |
| | The size or hardness or density of the log may exceed the capacity of the log splitter. | Reduce the log size before placing it on the log splitter. |
| | Splitting wedge cutting edge is blunt or dull. | Sharpen the wedge. |
| | The bleed screw was not loosened and air is trapped in the hydraulic tank. | Loosen the bleed screw one or two turns. |
| | The hydraulic fluid is low and may need to be replenished. | Check the hydraulic fluid level. |
| | The maximum pressure limiting adjustment setting has changed. | Contact customer service (800)791-9458. |
| Hydraulic fluid leaks | The bleed screw may not have been tightened before transporting the splitter. | Tighten the bleed screw. |
| | The bleed screw may not have been loosened before operation and air is trapped in the hydraulic system. | Loosen the bleed screw one or two turns. |
| | The fluid drain bolt may be loose. | Use the hex wrench to tighten the bolt. |
| | The hydraulic control valve assembly and/or seals may be worn. | Contact customer service (800)791-9458. |
| Push rod movement is jerky, makes unfamiliar noise or vibration. | The hydraulic fluid level may be low. | Check the fluid level and refill if needed. |
| | There may be air in the hydraulic system. | Loosen the bleed screw one or two rotations. |

EXPLODED VIEW & PARTS LIST



| Item | Stock # | Description | Qty |
|------|---------------|-------------------------|-----|
| 1 | PS90/9006-001 | Motor | 1 |
| 2 | PS90/9006-002 | Rubber washer B | 1 |
| 3 | PS90/9006-003 | Nut M5 | 1 |
| 4 | PS90/9006-004 | Column pin 2.5×4 | 1 |
| 5 | PS90/9006-005 | Oil seal 11×26×7 | 1 |
| 6 | PS90/9006-006 | Rubber washer A | 1 |
| 7 | PS90/9006-007 | Nut M8 | 1 |
| 8 | PS90/9006-008 | Front cover | 1 |
| 9 | PS90/9006-009 | Front rubber feet | 2 |
| 10 | PS90/9006-010 | Bolt M6×12 | 2 |
| 11 | PS90/9006-011 | Bushing | 4 |
| 12 | PS90/9006-012 | Flat washer 5 | 4 |
| 13 | PS90/9006-013 | Spring washer 5 | 4 |
| 14 | PS90/9006-014 | Clapboard | 1 |
| 15 | PS90/9006-015 | Bolt M5×25 | 4 |
| 16 | PS90/9006-016 | Steel ring 10 | 2 |
| 17 | PS90/9006-017 | Gear shaft | 1 |
| 18 | PS90/9006-018 | Steel ball 2.5 | 1 |
| 19 | PS90/9006-019 | Gear | 2 |
| 20 | PS90/9006-020 | Oil seal 9.5×2.65G | 6 |
| 21 | PS90/9006-021 | Pump cover | 1 |
| 22 | PS90/9006-022 | Flat washer 8 | 9 |
| 23 | PS90/9006-023 | Spring washer 8 | 9 |
| 24 | PS90/9006-024 | Bolt M8×55 | 6 |
| 25 | PS90/9006-025 | Bolt M8×30 | 3 |
| 26 | PS90/9006-026 | Shaft | 1 |
| 27 | PS90/9006-027 | Flat washer 6 | 20 |
| 28 | PS90/9006-028 | Spring washer 6 | 18 |
| 29 | PS90/9006-029 | Bolt M6×12 | 10 |
| 30 | PS90/9006-030 | Lock nut M10 | 2 |
| 31 | PS90/9006-031 | Flat washer 10 | 8 |
| 32 | PS90/9006-032 | Wheel | 2 |
| 33 | PS90/9006-033 | Cotter pin 3.2×20 | 1 |
| 34 | PS90/9006-034 | Bracket for wheel | 1 |
| 35 | PS90/9006-035 | Wheel shaft | 1 |
| 36 | PS90/9006-036 | Bolt | 1 |
| 37 | PS90/9006-037 | Rubber sleeve | 1 |
| 38 | PS90/9006-038 | Hydraulic control lever | 1 |
| 39 | PS90/9006-039 | Nut M10 | 1 |
| 40 | PS90/9006-040 | Spring washer 10 | 5 |
| 41 | PS90/9006-041 | Nut M10 | 3 |
| 42 | PS90/9006-042 | Hex Bolt A | 1 |
| 43 | PS90/9006-043 | Oil seal 11.8×1.8G | 2 |
| 44 | PS90/9006-044 | Hex Bolt | 1 |
| 45 | PS90/9006-045 | Oil valve | 1 |
| 46 | PS90/9006-046 | Front cover | 1 |
| 47 | PS90/9006-047 | Prick valve | 1 |
| 48 | PS90/9006-048 | Adjustment spring | 1 |
| 49 | PS90/9006-049 | Oil Seal 4.87×1.8G | 2 |

| Item | Stock # | Description | Qty |
|------|---------------|---------------------|-----|
| 50 | PS90/9006-050 | Shaft | 1 |
| 51 | PS90/9006-051 | Bush for shaft | 1 |
| 52 | PS90/9006-052 | Hex nut | 1 |
| 53 | PS90/9006-053 | Locked nut M6×20 | 1 |
| 54 | PS90/9006-054 | Nut M6 | 1 |
| 55 | PS90/9006-055 | Plastic cover | 1 |
| 56 | PS90/9006-056 | E-ring | 1 |
| 57 | PS90/9006-057 | Spring | 1 |
| 58 | PS90/9006-058 | Oil seal 5.6×1.8G | 1 |
| 59 | PS90/9006-059 | Journey valve | 1 |
| 60 | PS90/9006-060 | Oil seal 11.2×1.8G | 5 |
| 61 | PS90/9006-061 | Control valve (GS) | 1 |
| 62 | PS90/9006-062 | Spring II | 1 |
| 63 | PS90/9006-063 | Oil seal 14×1.8G | 1 |
| 64 | PS90/9006-064 | Copper washer 14 | 1 |
| 65 | PS90/9006-065 | Orientation Bolt | 1 |
| 66 | PS90/9006-066 | Washer | 1 |
| 67 | PS90/9006-067 | Oil seal 48.7×3.55G | 1 |
| 68 | PS90/9006-068 | Push rod | 1 |
| 69 | PS90/9006-069 | Tine plate | 1 |
| 70 | PS90/9006-070 | Bolt M4×6 | 4 |
| 71 | PS90/9006-071 | Front bracket | 1 |
| 72 | PS90/9006-072 | Down pad | 1 |
| 73 | PS90/9006-073 | Upper pad | 1 |
| 74 | PS90/9006-074 | Rubber plug | 2 |
| 75 | PS90/9006-075 | Bolt M6×50 | 4 |
| 76 | PS90/9006-076 | Nut M6 | 6 |
| 77 | PS90/9006-077 | Worktable guard | 2 |
| 78 | PS90/9006-078 | Nut M14 | 2 |
| 79 | PS90/9006-079 | Bracket | 2 |
| 80 | PS90/9006-080 | Bolt M6×45 | 2 |
| 81 | PS90/9006-081 | Cylinder body | 1 |
| 82 | PS90/9006-082 | Flat washer 8 | 4 |
| 83 | PS90/9006-083 | Spring washer 8 | 4 |
| 84 | PS90/9006-084 | Bolt M8x50 | 4 |
| 85 | PS90/9006-085 | Rubber foot | 2 |
| 86 | PS90/9006-086 | Rear support | 1 |
| 87 | PS90/9006-087 | Plastic bush | 2 |
| 88 | PS90/9006-088 | Handle | 1 |
| 89 | PS90/9006-089 | Cylinder | 1 |
| 90 | PS90/9006-090 | Piston | 1 |
| 91 | PS90/9006-091 | Oil seal 46.2×3.55G | 1 |
| 92 | PS90/9006-092 | Piston ring | 1 |
| 93 | PS90/9006-093 | Stud B | 3 |
| 94 | PS90/9006-094 | Stud A | 1 |
| 95 | PS90/9006-095 | Spring | 1 |
| 96 | PS90/9006-096 | Gasket | 1 |
| 97 | PS90/9006-097 | Rear cover | 1 |
| 98 | PS90/9006-098 | Oil seal 3.6×1.8G | 1 |

| Item | Stock # | Description | Qty |
|-------------|----------------|---------------------|------------|
| 99 | PS90/9006-099 | Dustproof seal | 1 |
| 100 | PS90/9006-100 | Oil seal 30×2.65G | 2 |
| 101 | PS90/9006-101 | Oil seal 11.8×2.65G | 1 |
| 102 | PS90/9006-102 | Bleed screw | 1 |
| 103 | PS90/9006-103 | Dipstick | 1 |
| 104 | PS90/9006-104 | Piston bar | 1 |
| 105 | PS90/9006-105 | Knob | 1 |
| 106 | PS90/9006-106 | Nut M14 | 2 |
| 107 | PS90/9006-107 | Lock nut M14 | 2 |

TWO (2) YEARS LIMITED WARRANTY

PowerSmart® is committed to building tools that are dependable for years. Our warranties are consistent with our commitment and dedication to quality.

TWO (2) YEARS LIMITED WARRANTY OF POWER SMART PRODUCTS FOR HOME USE.

PowerSmart ("Seller") warrants to the original purchaser only, that all PowerSmart consumer power tools will be free from defects in material or workmanship for a period of two (2) years from date of purchase. Ninety (90) days for all Power Smart Products, if the tool is used for professional or commercial use.

SELLER'S SOLE OBLIGATION AND YOUR EXCLUSIVE REMEDY under this Two (2) Years Limited Warranty and, to the extent permitted by law, any warranty or condition implied by law, shall be the repair or replacement of parts, without charge, which are defective in material or workmanship and which have not been misused, carelessly handled, or misrepaired by persons other than Seller or Authorized Service Center. To make a claim under this Limited Warranty, you must return the entire power tool product; transportation prepaid, to Power Smart Include a legible copy of the original receipt, which lists the date of purchase (month and year) and the name of the company purchased from.

THIS LIMITED WARRANTY DOES NOT APPLY TO ANY ACCESSORY ITEMS INCLUDED WITH THE TOOL SUCH AS CIRCULAR SAW BLADES OTHER RELATED ITEMS OR TO ANY REPLACEMENT PARTS LISTED UNDER MAINTENANCE.

ANY IMPLIED WARRANTIES SHALL BE LIMITED IN DURATION TO TWO (2) YEARS FROM DATE OF PURCHASE. SOME STATES IN THE U.S. AND SOME CANADIAN PROVINCES DO NOT ALLOW LIMITATIONS ON HOW LONG AN IMPLIED WARRANTY LASTS, SO THE ABOVE LIMITATION MAY NOT APPLY TO YOU.

IN NO EVENT SHALL SELLER BE LIABLE FOR ANY INCIDENTAL OR CONSEQUENTIAL DAMAGES (INCLUDING BUT NOT LIMITED TO LIABILITY FOR LOSS OF PROFITS) ARISING FROM THE SALE OR USE OF THIS PRODUCT. SOME STATES IN THE U.S. AND SOME CANADIAN PROVINCES DO NOT ALLOW THE EXCLUSION OR LIMITATION OF INCIDENTAL OR CONSEQUENTIAL DAMAGES, SO THE ABOVE LIMITATION OR EXCLUSION MAY NOT APPLY TO YOU.

THIS LIMITED WARRANTY GIVES YOU SPECIFIC LEGAL RIGHTS, AND YOU MAY ALSO HAVE OTHER RIGHTS WHICH VARY FROM STATE TO STATE IN THE U.S., PROVINCE TO PROVINCE IN CANADA AND FROM COUNTRY TO COUNTRY.

For questions / comments, technical assistance or repair parts –
Please call toll free at: 1-800-791-9458 (M-F 9am – 5pm EST)
Email: support@amerisuninc.com

SAVE YOUR RECEIPTS. THIS WARRANTY IS VOID WITHOUT THEM.