

POWERSMART[®]

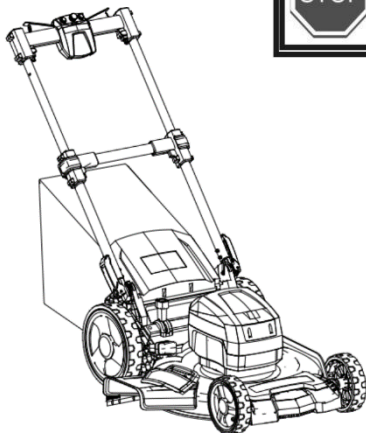
INSTRUCTION MANUAL

EN 22" 80V Cordless Lawn Mower

FR 22" 80V Tondeuse à gazon sans fil

ES 22" 80V Cortacésped inalámbrico

Model # PS76822SRB



Have product questions or need technical support? Please feel free to contact us!

Website: www.powersmartusa.com

Toll free: 1-800-791-9458 Mon-Fri 9-5 EST

Email: support@amerisuninc.com



Website

CONTENTS

Contents.....	2
Technical data.....	2
Safety information	3
Symbols.....	8
Know your lawn mower.....	10
Assembly instruction.....	11
Operating your lawn mower.....	16
Maintenance.....	22
Service.....	23
Environmentally safe battery disposal.....	24
Troubleshooting.....	25
Exploded view and spare part list	26
Warranty statement	29

TECHNICAL DATA

22" 80V CORDLESS LAWN MOWER Model # PS76822SRB

Battery type:	80V Lithium-ion, 6Ah
Charger time:	90 minutes
Cutting width:	22 inch
Height adjustments:	5 Position
Grass catcher capacity:	17.2 Gallon
Wheel:	Front: 8 inch / Rear: 11.5 inch
Weight (with battery):	60 lbs

SAFETY INFORMATION

GENERAL SAFETY RULES

WARNING: when using electric lawn mowers, basic safety precautions should always be followed to reduce the risk of fire, electric shock, and personal injury, including the following:

READ ALL INSTRUCTIONS CAREFULLY

WARNING: This symbol indicates important safety instructions. If these instructions are not followed, it could endanger the personal safety and/or property of the operator and others. Read and understand all instructions in this manual before attempting to operate the mower. Failure to comply with these instructions may result in personal injury.



DANGER

This mower was built to be operated according to the rules for safe operation that are contained in this manual. As with any type of power equipment, carelessness or error on the part of the operator can result in serious injury. This mower is capable of amputating body parts and throwing objects. Failure to observe the following safety rules could result in serious injury or death.

WARNING: Basic safety precautions should always be followed when using electric lawn mowers, in order to reduce the risk of fire, electric shock, and personal injury.

WARNING: Use of this mower should be restricted to individuals who have read and understood and will follow the warnings and instructions that are printed in this manual and on the mower.

- Carefully read all instructions on the mower and in the manual before attempting to assemble and operate the mower. Keep this manual in a safe place for future reference and consult it regularly.
- Become familiar with all controls and their proper operation. Know how to stop the mower and how to disengage the power in an emergency.
- In order to avoid contact with the blade or injury caused by a thrown object, stay in the operating zone behind the handles, and keep children and bystanders at least 100' (30 m) away from the mower while it is in operation. Stop the motor immediately if someone enters the mowing area.
- Thoroughly inspect the area where the mower is to be used. Remove all stones, sticks, wire, bones, toys, and other objects that could be tripped over or thrown by the blade. Thrown objects can cause serious personal injury.
- Plan your mowing pattern in such a way as to avoid discharging material toward roads, sidewalks, bystanders, etc. Do not discharge material against a wall or obstruction. Doing so may cause the discharged material to ricochet back toward the operator.

- Always wear proper eye protection that complies with ANSI Z87.1 to protect your eyes while operating or performing any adjustment or repair. Thrown objects that ricochet can cause serious eye injury.
- Always wear a face mask or a dust mask when operating the mower in a dusty environment.
- Dress properly. Do not wear loose clothing or jewelry that can get caught in moving parts. The wearing of protective gloves and safety footwear is recommended.
- Many injuries occur because of the mower being pulled over the operator's foot during a fall caused by slipping or tripping. Do not operate this mower in bare feet, or while wearing sandals or lightweight (e.g., canvas) shoes. Do not hold on to the mower if you are falling. Release the handle immediately.
- Never pull the mower back toward you while you are walking. If you must back the mower away from a wall or an obstruction, first look down and behind to avoid tripping, and then follow these steps:
 - Step back from the mower to fully extend your arms.
 - Be sure that you are well balanced.
 - Pull the mower back slowly.
- Do not use the mower for any job except that for which it is intended. Do not force the mower.
- Do not operate the mower while under the influence of alcohol or drugs.
- Stay Alert: Do not operate the mower when you are tired. Pay attention to what you are doing. Use common sense.
- Do not put hands or feet near rotating parts or under the cutting deck. Contact with the blade can amputate hands and feet.
- Do not attempt to adjust the wheels or the cutting height while the motor is running.
- Avoid dangerous environments. Do not operate the mower in the rain or in wet or damp grass.
- Mow only in daylight or in good artificial light. Do not rush a mowing job.
- Stop the blade when crossing gravel driveways, walkways, or roads.
- If the mower starts to vibrate excessively, stop the motor, remove the battery and check for the cause immediately. Vibration is generally a sign that the mower is not working properly or needs repair.
- Stop the motor and wait until the blade comes to a complete stop before removing the grass catcher or unclogging the chute. The cutting blade will continue to rotate for a few seconds after the motor is shut off. Do not place any part of your body in the blade area until you are sure that the blade has stopped rotating.
- Never operate mower without a proper trail shield, discharge cover, grass catcher, switch control, or other safety device in place and in working order. Do not operate the mower with damaged safety devices. Doing so can result in injury.
- Don't force lawn mower. It will do the job better and safer at the rate for which it was designed.
- Store idle lawn mower indoors. When not in use, lawn mower should be stored in an indoor dry and look-up place, out of reach of children.
- Maintain lawn mower. Keep cutting edges sharp and clean to ensure the best performance and safety.
- If lawn mower strikes foreign objects follow these steps:

- Stop lawn mower, release the switch.
- Remove the battery.
- Inspect for damage.
- Repair any damage before restarting and operating the lawn mower.
- Do not charge lawn mower in the rain or in a wet location.
- Remove or disconnect battery before servicing, cleaning, or removing material from lawn mower.
- Inspect lawn mower cord periodically and if damaged, have it repaired by an authorized service facility.
- Use identical replacement blades only.
- Store indoors, and do not expose to rain or water, avoid direct sunshine.

CHILD SAFETY

Tragic accidents can occur if the operator is not aware of the presence of children.

- Keep children out of the mowing area and under the watchful care of a responsible adult.
- Do not allow children under the age of 14 to operate this mower. Children who are 14 years of age and older must read and understand the operating instructions and safety rules in this manual and must be trained and supervised by a parent.
- Stay alert and turn the mower off if a child or any other person enters the mowing area.
- Look behind and down for small children before and while moving backwards.
- Use extreme care when approaching blind corners, doorways, shrubs, trees, or other objects that may obscure your view of a child who may run into the path of the mower.

BATTERY & CHARGER

CAUTION: USE ONLY POWERSMART APPROVED REPLACEMENT BATTERIES, OTHER BATTERIES MAY CAUSE INJURY OR DAMAGE TO THE MOWER. Use with POWERSMART 80V battery.

BATTERY SAFETY RULES

- Battery tools do not have to be plugged into an electrical outlet; therefore, they are always in operating condition. Be aware of possible hazards when not using your battery tool or when changing accessories. Following this rule will reduce the risk of electric shock, fire, or serious personal injury.
- Do not place battery tools or their batteries near fire or heat. This will reduce the risk of explosion and injury.
- Do not crush, drop or damage battery pack. Do not use a battery pack or charger that has been dropped or received a sharp blow. A damaged battery is subject to explosion. Properly dispose of a dropped or damaged battery immediately.
- Batteries can explode in the presence of a source of ignition, such as a pilot light. To reduce the risk of serious personal injury, never use any cordless product in the presence of open

flame. An exploded battery can propel debris and chemicals. If exposed, flush with water immediately. Do not charge battery tool in a damp or wet location. Following this rule will reduce the risk of electric shock.

- For best results, your battery tool should be charged in a location where the temperature is more than 45°F but less than 104°F. To reduce the risk of serious personal injury, do not store outside or in vehicles.
- Under extreme usage or temperature conditions, battery leakage may occur. If liquid comes in contact with your skin, wash immediately with soap and water. If liquid gets into your eyes, flush them with clean water for at least 10 minutes, then seek immediate medical attention. Following this rule will reduce the risk of serious personal injury.
- When battery pack is not in use, keep it away from other metal objects like paper clips, coins, keys, nails, screws, or other small metal objects that can make a connection from one terminal to another. Shorting the battery terminals together may cause sparks, burns, or a fire.
- Always remove battery pack from your tool when you are assembling parts, adjusting, cleaning, or when not in use. Removing battery pack will prevent accidental starting that could cause serious personal injury.
- Always remove battery pack before storing the device. When battery becomes fully charged, unplug the charger from the power supply and remove the battery pack from the charger.
- Always wear eye protection with side shields marked to comply with ANSI Z87.1, along with hearing protection. Failure to do so could result in objects being thrown into your eyes and other possible serious injuries.
- Keep battery pack dry, clean, and free from oil and grease. Always use a clean cloth when cleaning. Never use brake fluids, gasoline, petroleum-based products, or any solvents to clean battery pack.
- Do not open or mutilate the battery. Released electrolyte is corrosive and may cause damage to the eyes or skin. It may be toxic if swallowed.

PROPER CARE FOR BATTERY

Off-season storage

To obtain the longest possible battery life, we suggest the following:

- Remove the battery pack from the charger once it is fully charged and ready for use.

For battery pack storage longer than 30 days:

- Store the battery pack where the temperature is below 80°F and away from moisture.
- Store battery packs in a 30%-50% charged condition.
- Every two months of storage, charge the pack as normal.

CHARGER SAFETY RULES

- Charge the mower battery in a dry area that is protected from the weather. Do not expose the mower or the charger to rain. Do not charge the battery in a wet location. Operate the battery charger in temperatures between 45° and 104°F. In order to reduce the risk of electric shock, use only the charger that is provided by the manufacturer to charge the battery.
- **DO NOT ABUSE THE CHARGE CORD.** Never carry the charger by the cord. Do not disconnect the charger from the outlet or from the mower by pulling the charger cord.
- Do not use a damaged charger. Replace the charger cords or the charger immediately.

- Keep the mower and the charger away from water, heat sources (radiators, heaters, stoves, etc.), flames, and chemicals.
- Make sure the battery pack is secured in the charger before beginning operation.
- The battery pack will become slightly warm to the touch while charging. This is normal and does not indicate a problem.
- Do not place the charger and battery pack in an area of extreme heat or cold. They will work best at normal room temperature.
- When batteries become fully charged, unplug the charger from the power supply and remove the battery pack.

WARNING: When transporting or servicing unit, always remove the battery.










WARNING: Some dust created by power sanding, sawing, grinding, drilling and other construction activities contains chemicals known to the state of California to cause cancer, birth defects or other reproductive harm. Some examples of these chemicals are:





- Lead from lead-based paints,
- Crystalline silica from bricks and cement and other masonry products, and
- Arsenic and chromium from chemically-treated lumber.

Your risk from these exposures varies, depending on how often you do this type of work. To reduce your exposure to these chemical: work in a well ventilated area, and work with approved safety equipment, such as those dust masks that are specially designed to filter out microscopic particles.

SYMBOLS

Some of the following symbols may be used on this product. Please study them and learn their meaning. Proper interpretation of these symbols will allow you to operate the product better and safer.


SYMBOL	NAME	DESIGNATIONS
V	Volts	Voltage
A	Amperes	Current
Hz	Hertz	Frequency (cycles per second)
W	Watts	Power
min	Minutes	Time
---	Direct Current	Type or a characteristic of current
n_0	No Load Speed	Rational speed, at no load
/min	Per Minute	Revolutions, strokes, surface speed, orbits etc., per minute
	Safety Alert	Indicates a potential personal injury hazard.
	Wet Conditions Alert	Cutting/dismemberment hazard of hand. Keep hands away from the rotating blade.
	WARNING	To reduce the risk of injury, user must read instruction manual.
	Eye Protection	Wear eye and hearing protection. For protection against injury, wear ear defenders and safety goggles.
	Keep Hands and Feet Away	Keep hands and feet away from blade and cutting area.
	No Reach	Severing of toes or fingers by rotary mower blade.
	Slip on slope hazard	Slip on slope hazard – Use extra caution when mowing on slopes to prevent slip and fall accidents.
	Keep Bystanders Away	Keep all bystanders at least 100 ft. away.
	CAUTION	Objects picked up and thrown by the rotating blade can cause severe injury.

SYMBOL	NAME	DESCRIPTIONS
	DANGER	Indicates an imminently hazardous situation, which, if not avoided, will result in death or serious injury.
	Wet Conditions Alert	Do not expose to rain or use in damp locations
	WARNING	Indicates a potentially hazardous situation, which, if not avoided, could result in death or serious injury.
	CAUTION	Indicates a potentially hazardous situation, which, if not avoided, may result in minor or moderate injury.

ENVIRONMENTAL PROTECTION



Waste electrical products should not be disposed of with household waste. Please recycle where facilities exist. Check with your local authority or retailer for recycling advice.

 The battery contains material which is hazardous to you and the environment. It must be removed and disposed of separately at a facility that accepts lithium-ion batteries.

SERVICE

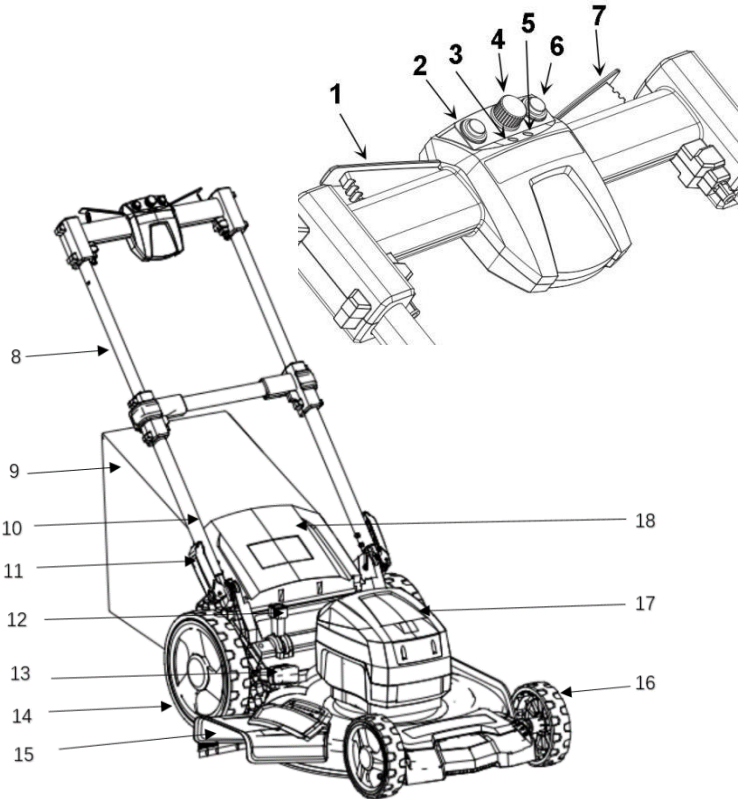
Servicing requires extreme care and knowledge and should be performed only by a qualified service technician. For service we suggest you return the product to your nearest **AUTHORIZED SERVICE CENTER** for repair. When servicing, use only identical replacement parts.

WARNING: To avoid serious personal injury, do not attempt to use this product until you have read this Owner's Manual thoroughly and understand it completely. If you do not understand the warnings and instructions in this Owner's Manual, do not use this product. Call the Toll-free Helpline (1- 800-791-9458) for assistance.

WARNING: The operation of any power tool can result in foreign objects being thrown into your eyes, which can result in severe eye damage. Before beginning power tool operation, always wear safety goggles or safety glasses with side shields and when needed, a full face shield. We recommend Wide Vision Safety Mask for use over eyeglasses or standard safety glasses with side shields. Always use eye protection which is marked to comply with ANSI Z87.1.

KNOW YOUR LAWN MOWER

Read this operator's manual and safety rules before operating your lawn mower. Compare the illustration below to your lawn mower to familiarize yourself with the location of various controls and adjustments. Save this manual for future reference.



- | | | | |
|---|----------------------|----|-------------------------------|
| 1 | Drive switch | 10 | Lower handle |
| 2 | Light switch | 11 | Foldable release knob |
| 3 | Fault indication | 12 | Side discharge control handle |
| 4 | Speed switch | 13 | Rear height adjustment lever |
| 5 | Battery Indicator | 14 | Rear wheel |
| 6 | Start switch | 15 | Side discharge chute |
| 7 | Mowing switch | 16 | Front Wheel |
| 8 | Upper handle | 17 | Battery assembly |
| 9 | Grass collection bag | 18 | Rear discharge cover |

ASSEMBLY INSTRUCTIONS

UNPACKING

- Carefully remove the product and any accessories from the box. Make sure that all items listed in the packing list are included.
- Inspect the product carefully to make sure no breakage or damage occurred during shipping.
- Do not discard the packing material until you have carefully inspected and satisfactorily operated the product.
- If any parts are damaged or missing, please call 1-800-791-9458 for assistance.

PACKING LIST

- Lawn mower
- Side discharge
- Grass catcher bag
- Safety key
- Battery pack
- Charger
- Owner's manual

WARNING: If any parts are damaged or missing do not operate this product until the parts are replaced. Using a product with damaged or missing parts could result in serious personal injury.

WARNING: Do not attempt to modify this product or create accessories not recommended for use with this product. Any such alteration or modification is misuse and could result in a hazardous condition leading to possible serious personal injury.

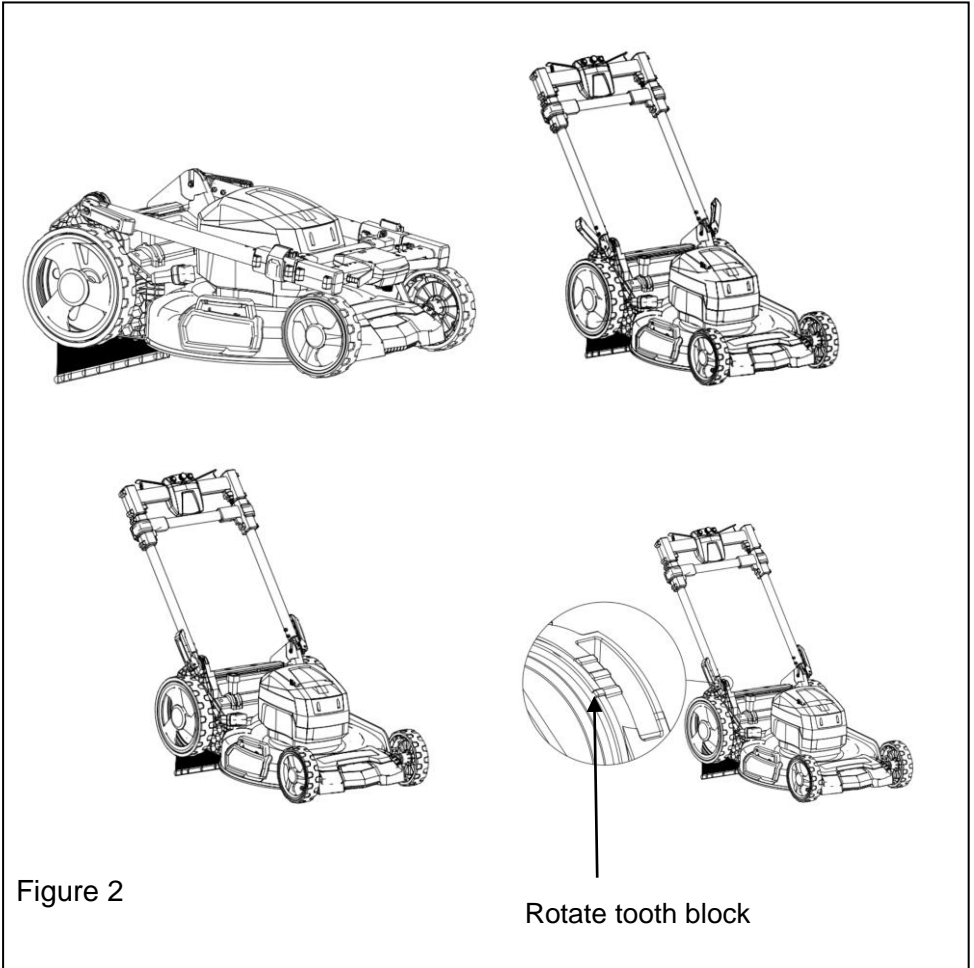
WARNING: Do not insert the battery until assembly is complete and you are ready to mow. Failure to comply could result in accidental starting and possible serious personal injury.

WARNING: To prevent accidental starting that could cause serious personal injury, always remove the battery pack from the product when assembling parts.

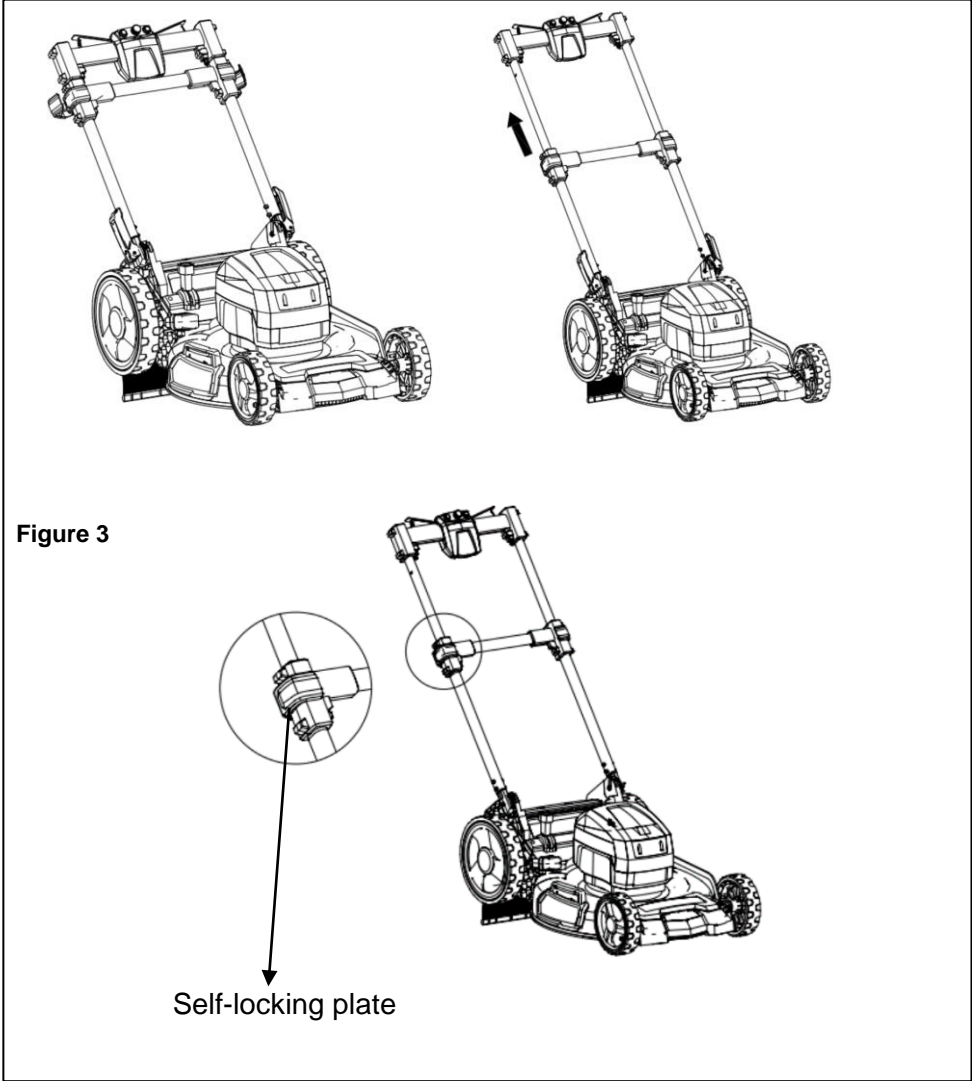
WARNING: Never operate the mower without the proper safety devices in place and working. Never operate the mower with damaged safety devices. Operation of this product with damaged or missing parts could result in serious personal injury.

ATTACH LOWER & UPPER HANDLE (See Figure 2-3)

1. First lift the lawn mower out of the box.
2. Place the folded handle in the position shown below and tighten by rotating foldable release knob in lower handle. Rotate the rotatable tooth block to adjust the handle's height.



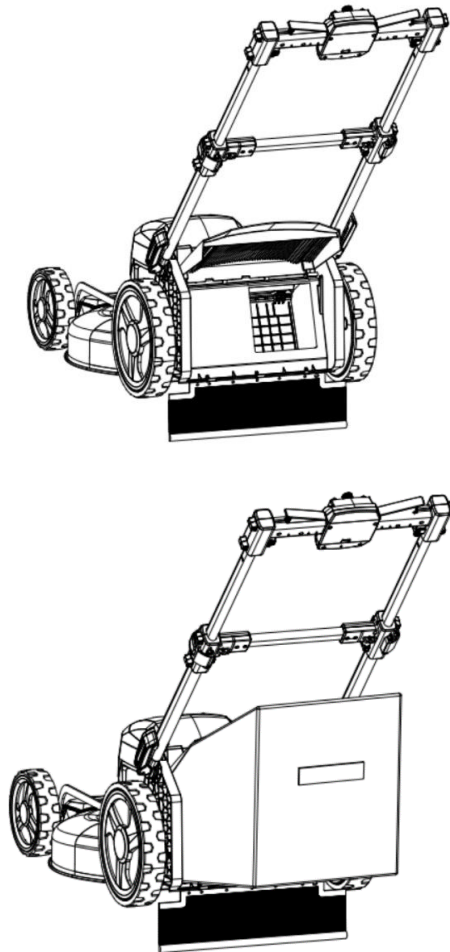
3. Release the self-locking plate and pay attention to pull the upper handle in place. Then lock the self-locking plate. Please note the self-locking plate will cannot be locked if upper handle is not in place. Only when these items are in place and after installing the battery pack with insertion of safety key, will the unit be ready for us.



INSTALLING THE GRASS CATCHER BAG (See Figure 4)

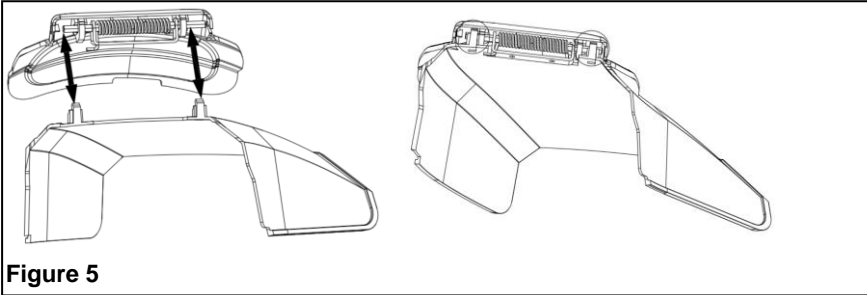
Pull the rear discharge door to a suitable position, then hang up the grass catcher, and put down the rear discharge door.

Figure 4



TO INSTALL SIDECARGE CHUTE

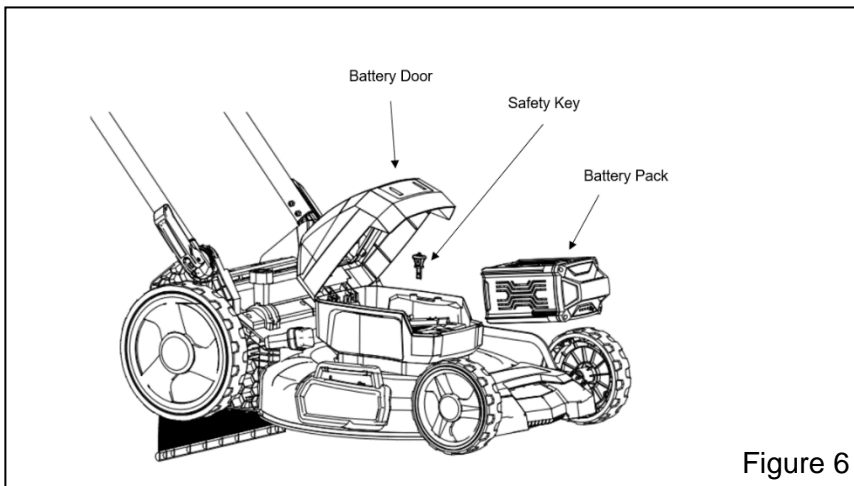
- On the side of the mower, lift the side discharge cover.
- Slide two hooks of side discharge chute under hinge pin on the side discharge cover. Lower the side discharge cover.



Caution: Do not remove side discharge cover at any time.

TO INSTALL BATTERY PACK (See Figure 6)

- Lift and hold up the battery door.
- Place the battery pack on the mower. Align guided ribs on battery pack with grooves in the product's battery port.
- Make sure the latch on bottom of the battery pack snaps in place and that battery pack is fully seated and secure in the product before beginning operation.
- Insert the safety key.
- If the machine is not going to be used immediately, do not insert the safety key.
- Close the door.



TO REMOVE BATTERY PACK (See Figure 6)

- Release the mowing switch and drive switch to stop the product.
- Remove the safety key.
- Press and hold the battery latch button at the bottom of the battery pack.
Remove battery pack from the product.

OPERATING YOUR LAWN MOWER

STARTING/STOPPING THE MOWER (See Figure 7)

To start the mower:

- Install the battery pack and insert the safety key.
- Press the start switch with the right hand, wait until the power indicator comes on, press the mowing switch with the left hand, wait 2-3 seconds, the machine starts, and the blade begins to rotate. Just release the start switch, then you could start mowing forward.

To operate the mower:

- Press the start switch, the power indicator lights up, then press the drive switch, the mower moves forward.

NOTE: If no other action is performed within 15 seconds after pressing the start switch, press the start switch again!

- When mowing switch and drive switch are pressed at the same time, release the drive switch, the mower will not stop walking.
- When mowing switch and drive switch are pressed at the same time, release the mowing switch, the mower will stop walking.
- When mowing switch is not pressed, press the drive switch, mower will walk. Release drive switch, the mower will stop walking.
- Rotary speed switch to adjust the speed needed.
- When the environment is dark, press the light switch.

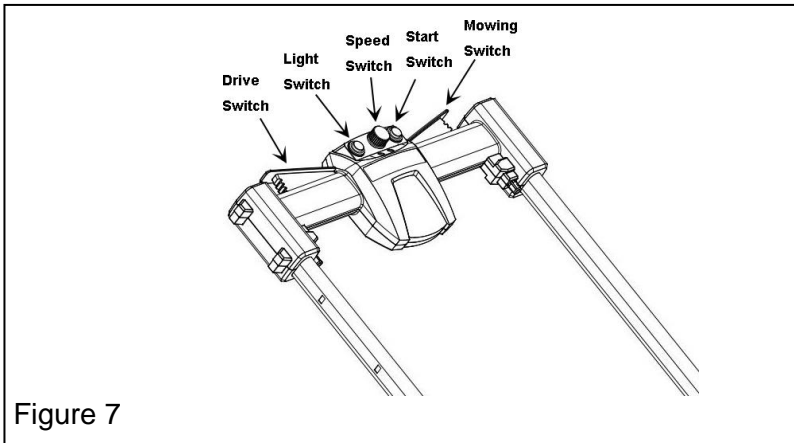


Figure 7

To stop the mower:

- Release both the mowing switch and drive switch and pull out the safety key, so that the mower stops.

SOFT-START

This Lithium-Ion battery Mower is equipped with a “Soft-start” feature. When initially starting up, the mower will take approx. 3 seconds to get up to full speed. If the mower does not initially start: Remove the battery and check under the mower deck to ensure there is nothing obstructing the blade and that the blade can spin freely by hand. Even a small amount of grass on start up will prevent the “soft-start” from turning the mower on.

CAUTION: Do not attempt to override the operation of the start button.

WARNING: The operation of any mower can result in foreign objects being thrown into the eyes, which can cause severe eye damage. Always wear safety glasses while operating the mower and while performing any adjustments or repairs.

WARNING: Ensure that other people and pets remain at least 100 ft (30 m) away when the mower is in use.

INSPECT THE CUTTING AREA. Remove all stones, sticks, wires, bones, and other debris that might be thrown by the rotating blades.

USING CONTROL HANDLE FOR SIDE DISCHARGE

The control handle allows you to either collect or sidecharge grass while the grass bag is attached to the machine.

- To press the button (1) on the handle and pull up the top cover (2) of handle to move the handle forward and back.

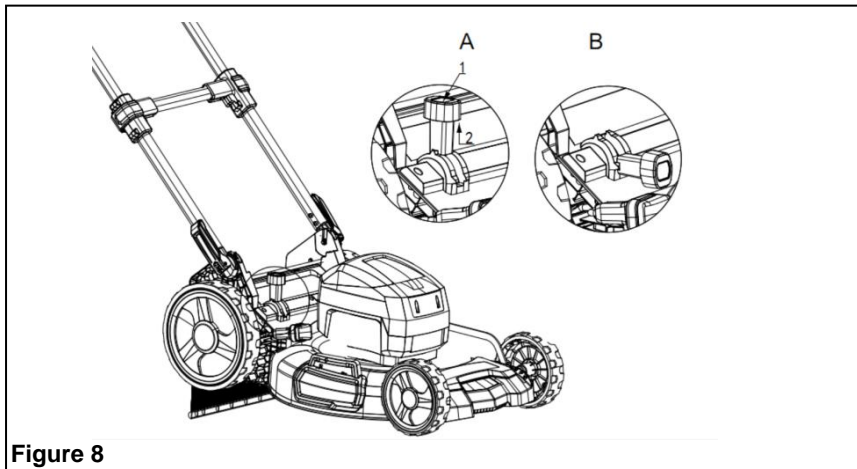


Figure 8

- A. Control handle (in the side discharge position)
- B. Control handle (in the bagging position)

CUTTING HEIGHT ADJUSTMENT (See Figure 9)

When shipped, the wheels on the mower are set to the lowest cutting position. Before using the mower for the first time, raise the cutting position to the height best suited for your lawn. The average lawn should be between 1.18" to 2" during cool months and between 2" and 3" during hot months.

To adjust the blade height:

- To raise the blade height, grasp the rear height adjustment lever (1), then move it. Adjust the mowing height according to the position indication of front and rear seats. The larger the number, the higher the gear.

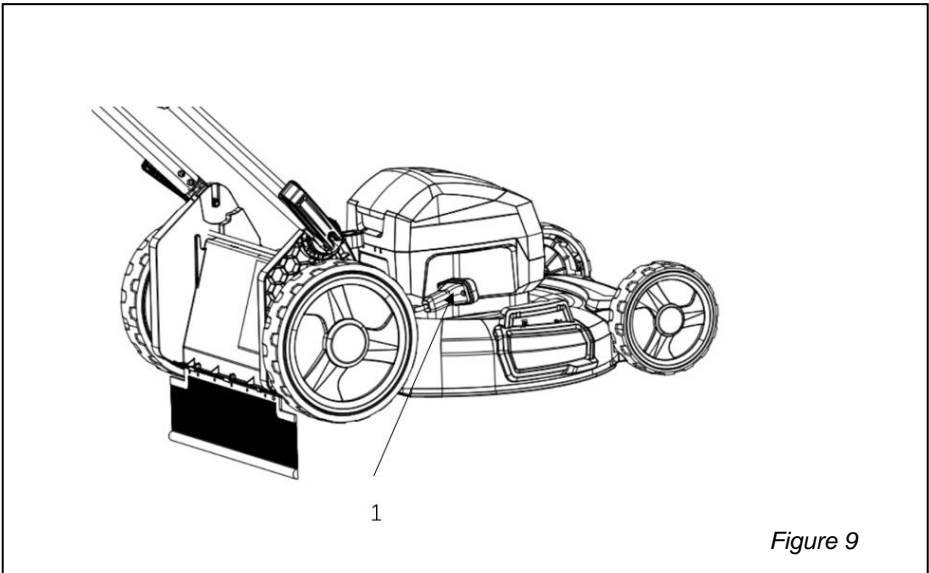


Figure 9

WARNING: Slopes are a major factor related to accidents involving slips and falls, which can result in severe injury. Operating the mower on a slope requires extra caution. If you feel uneasy on a slope, do not mow it. For your safety, use the slope gauge that is included as part of this manual to measure slopes before operating this unit on a sloped or hilly area.

- Mow across the face of a slope, and never up and down. Exercise extreme caution when changing direction on a slope.
- Watch for holes, ruts, rocks, hidden objects, or bumps that may cause a slip or a trip. Tall grass can hide obstacles.
- Always be sure of your footing. If you feel like you are losing your balance, release the blade/motor control handle immediately. The blade will stop rotating within 3 seconds.
- Do not mow near drop-offs, ditches, or embankments, because you could lose your footing or balance.

- Do not mow a slope that has an angle of greater than 15°, as determined using the slope gauge.
- Do not mow wet or damp grass. Unstable footing can cause slipping.

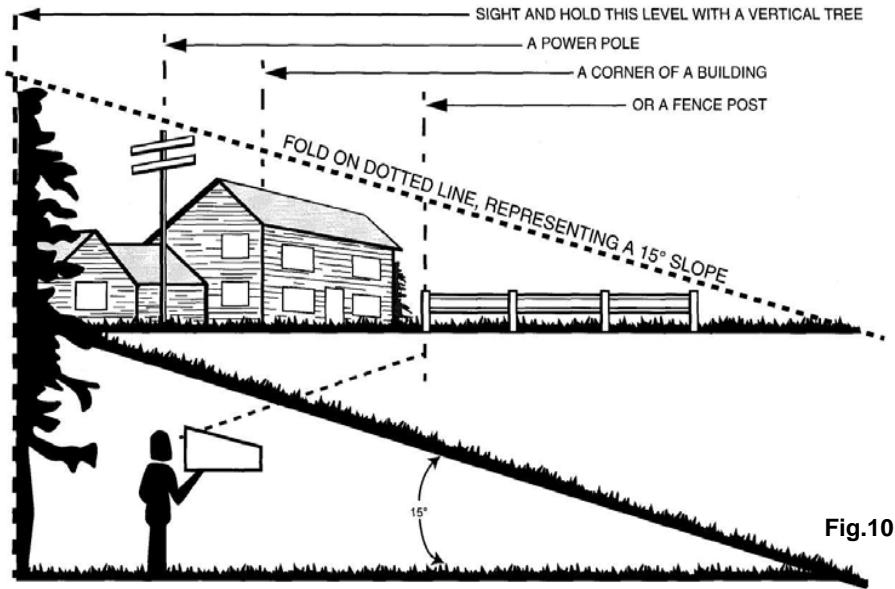


Fig.10

WARNING: Do not mow a slope that has an angle of greater than 15° (a rise of approximately 2 1/2' [0.75 m] every 10' [3 m]). Mow across the face of a slope, and never up and down.

MOWING TIPS

NOTE: A sharp blade will greatly enhance the performance of the mower, especially when cutting high grass. Be sure to check the blade and to sharpen it at least once per year, as described in the Maintenance section.

- Verify that the lawn is free of stones, sticks, wires, and other objects that could damage the blades or the motor. These objects could be accidentally thrown by the mower in any direction and could cause serious personal injury to the operator and to others. To prevent electric shock, do not operate the mower in damp or wet conditions.
- Do not mow in circles. Travel back and forth across the lawn.
- When cutting thick grass, reduce walking speed to allow for a more effective cut and a proper discharge of the clippings.
- For a healthy lawn, always cut off one-third or less of the total length of the grass. The average lawn should be approximately 1 1/2 to 2" (3.8 to 5 cm) long during cool months, and between 2" to 3" (5 cm to 8.3 cm) long during hot months.

• MULCHING TIPS

NOTE: INSPECT THE AREA WHERE THE MOWER IS TO BE USED, AND REMOVE ALL STONES, STICKS, WIRE, BONES, AND OTHER DEBRIS THAT MIGHT BE THROWN BY THE ROTATING BLADE.

- Release the switch to turn the mower OFF when crossing any graveled area (stones can be thrown by the blade).
- Set mower to the highest cutting height when mowing on uneven ground or in tall weeds.
- For effective mulching, do not cut wet grass, because it tends to stick to the underside of the deck, preventing proper mulching of grass clippings. New or thick grass may require a narrower cut. The ground speed should be adjusted to the condition of the lawn. If mowing has been delayed and the grass has been allowed to grow longer than 4" (10 cm), mow the lawn twice in order to reduce the grass height to a maximum of 3" (8.3 cm).
- Walk at a steady pace. Overlap the cutting rows. Do not let the grass get too tall. If the grass gets too long, start at the highest cutting position, and work down to the desired cutting height.

WARNING: If you strike a foreign object, stop the motor, and remove the battery. Thoroughly inspect the mower for any damage. Repair any damage before operating the mower. Excessive vibration of the mower during operation is an indication of damage. Thoroughly inspect the mower and repair any damage before operating the mower.

EMPTYING THE GRASS CATCHER BAG (See Figure 11)

- Stop mower, allow blades to completely stop, and remove the battery.
- Lift the rear chute cover.
- Lift the grass catcher bag by its handle to remove from mower.
- Empty grass clippings.
- Lift the rear chute cover and re-install the grass catcher bag as described earlier in this manual.



MAINTENANCE

CLEANING THE MOWER

WARNING: In order to reduce the risk of electric shock, do not expose the mower to water. The underside of the mower deck should be cleaned after each use because grass clippings, leaves, dirt, and other debris will accumulate, which will cause rust and corrosion.

Remove any build-up of grass and leaves on or around the motor cover (do not use water). Occasionally wipe the mower clean with a dry cloth. If debris builds up on the underside of the mower during use, stop the motor, disconnect it from the battery, and then tilt the mower forward or on its side, and scrape it clean using an appropriate tool.

STORING THE MOWER

The following steps should be taken in order to prepare the lawn mower for storage.

- Clean the mower as described in the previous section.
- Inspect the blade, and replace it or sharpen it, if required (refer to the Maintenance section).
- Lubricate the mower.
- Store the mower in a dry, clean location. Do not store it next to corrosive materials, such as fertilizer or rock salt.
- Store the mower indoors, in a cool, dry place, out of the reach of children. Do not cover the lawn mower with a solid plastic sheet. Plastic coverings trap moisture around the mower, which causes rust and corrosion.

The handle may be folded away completely for storage. (See Figure 2-3)

- Lift up the nuts on the sides of the upper handle to unlock and fold the upper handle down.
- Loosen the foldable release handle on each side of the mower. Lift the sides of the lower handle past the edges of the handle mounting brackets. Fold the lower handle forward.
- Remove the battery and store it in a cool dry location, if possible. Charge the battery every two weeks when not in use to increase its life.
- Remove the battery and store in a secure location out of the reach of children. Removal of the battery is not required for storage.

WARNING: This battery must be charged when in storage to maintain running life.

SERVICE

- When servicing the mower, use only replacement parts that are available from the manufacturer. To obtain replacement parts, call the toll-free helpline, at 1-800-791-9458. The use of parts that do not meet the original equipment specifications may lead to improper performance and may compromise safety.
- Before cleaning, repairing, or inspecting, verify that the blade and all moving parts have come to a complete stop, and remove the battery. Remove the battery when making any adjustments or when any of the four wheels must be lifted off the ground.
- Keep the handles dry, clean, and free of oil and grease.
- In order to reduce the risk of fire, keep the motor free of grass, leaves, and debris build-up.
- Check the blade and motor mounting bolts for proper tightness frequently. Visually inspect blade for damage (e.g., bent, cracked, or worn).
- For best and safest performance, maintain the mower with care. Keep the mower blade sharp and clean. Mower blades are sharp and can cut. Wrap the blades or wear gloves and use extra caution when servicing.
- Keep all nuts, bolts, and screws tight to be sure that the equipment is in safe working condition.
- Never tamper with safety devices. Check them regularly for proper operation.
- After striking a foreign object, stop the motor. Then inspect the mower for any damage. Repair any damage before operating the mower.
- The grass catcher components and trail shield are subject to wear and damage, which could expose moving parts or allow objects to be thrown. As a safety precaution, check these components frequently, and immediately replace any parts that show signs of wear, or that are cracked or broken. Use original equipment manufacturer's (OEM) parts only, as listed in this manual.
- When it is not in use, store the mower indoors in a dry area, and out of the reach of children.

WARNING: ALWAYS REMOVE THE BATTERY WHEN SERVICING OR TRANSPORTING THE MOWER.

ENVIRONMENTALLY SAFE BATTERY DISPOSAL

The batteries used in this mower's battery pack contain the following toxic and corrosive material: LITHIUM-ION.

WARNING: Toxic materials must be disposed of in a specified manner in order to prevent contamination of the environment. Before disposing of damaged or worn out Lithium-Ion battery packs, contact your local waste disposal agency for information and specific instructions. Take the batteries to a local recycling and/or disposal centre that is certified for disposal. If the battery pack cracks or breaks, whether it leaks or not, do not recharge it and do not use it. Dispose of it and replace it with a new battery pack. **DO NOT ATTEMPT TO REPAIR IT!**

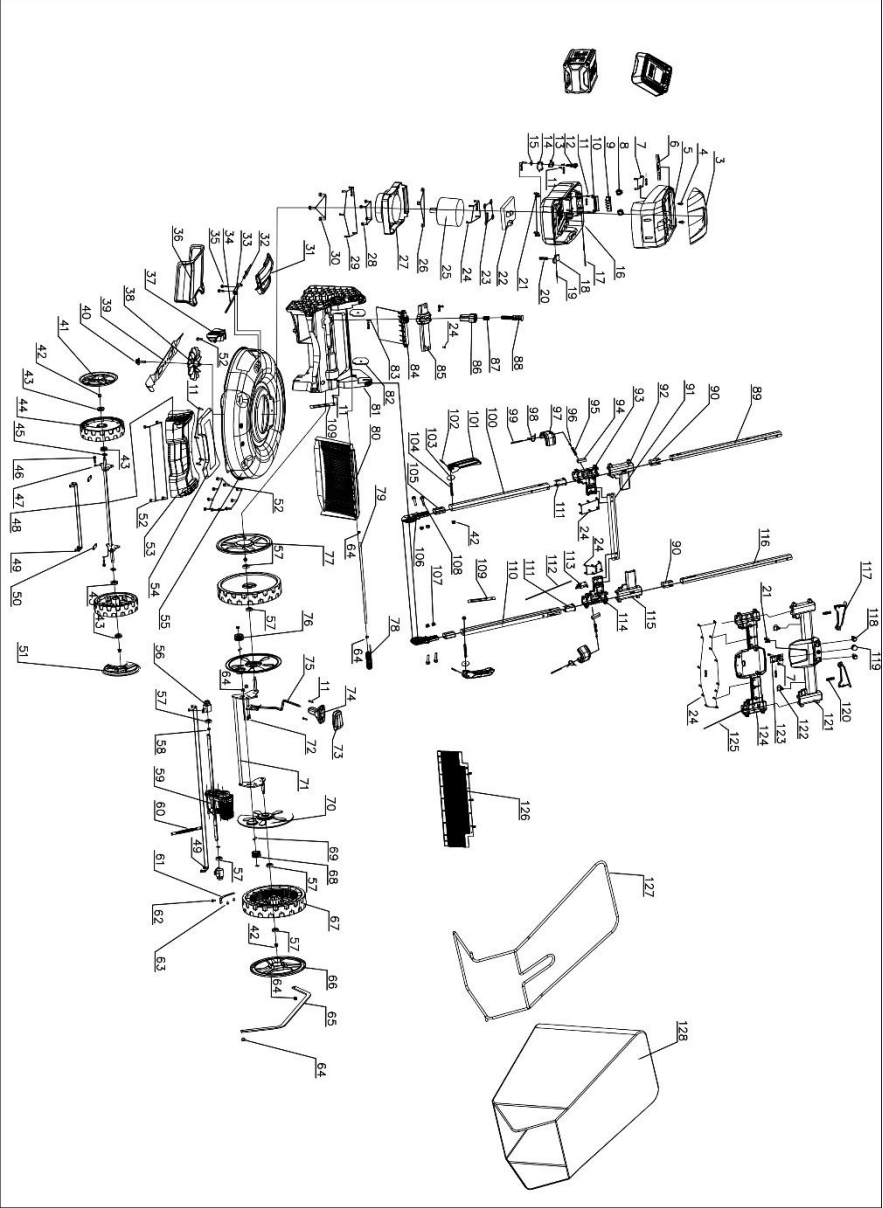
Follow these instructions in order to avoid injury and the risk of fire, explosion, or electric shock, and to avoid damage to the environment:

- Cover the battery's terminals with heavy-duty adhesive tape.
- Do not attempt to remove or destroy any of the components of the battery pack.
- Do not attempt to open the battery pack.
- If a leak develops, the electrolytes that are released are corrosive and toxic. Do not get the solution in the eyes or on the skin, and do not swallow it.
- Do not place batteries in regular household trash.
- DO NOT incinerate batteries.
- DO NOT place batteries where they will become part of any waste landfill or municipal solid waste stream.
- Dispose of batteries at a certified recycling or disposal centre.

TROUBLESHOOTING

PROBLEM	POSSIBLE CAUSE	SOLUTION
The mower does not start.	The battery is not charged.	Charge the battery.
	The switch is defective.	Replace the switch
	Grass jammed at blade.	Remove battery; check under deck for jams.
	The battery is not attached to the motor.	Check the connection between the motor connector and the battery.
	Battery may require service or replacement.	Call customer service 1-800-791-9458 or replace battery.
	The upper handle is not install in place.	Pull the upper handle in place.
The mower cuts the grass unevenly.	The lawn is rough or uneven.	Check the mowing area.
	The cutting height is not set properly.	Move the wheels to a higher setting.
The mower does not mulch properly.	Wet grass clippings are sticking to the underside of the deck.	Wait until the grass dries before mowing.
	The side discharge is missing.	Install the side discharge.
The mower is hard to push.	The grass is too tall, or the cutting height is too low.	Raise the cutting height.
	The rear of the mower housing and the blade are dragging in thick grass.	Empty the grass clippings from the grass catcher bag.
The mower is excessively noisy and vibrates.	The motor shaft is bent.	Stop the motor and inspect for damage.
	The blade is unbalanced.	Repair before restarting. If vibration persists, call customer service at 1-800-791-9458

EXPLODED VIEW AND SPARE PART LIST



Item	Stock#	Description	Qty
1	202470012	charger assembly	1
2	202460006	battery pack	1
3	203010933	battery pack box upper cover	1
4	302060041	check valve	2
5	203010880A	battery pack box middle cover	1
6	301120010	light	1
7	303010237	screw ST4.2x10	6
8	303130355	battery pack spring	2
9	203010871A	cartridge holder	1
10	203010858A	charger cartridge holder plate	1
11	303010026	screw ST4.2x12	11
12	203021264	safety key	1
13	203010783	switch upper cover	1
14	301100055	child lock contact switch	1
15	303043077	flat washer	1
16	203021359	battery pack cover	1
17	303100086A	battery pack cover shaft	2
18	203021341	self-locking push switch	1
19	303160814	battery pack self - locking switch shaft	1
20	303130356	self-locking switch spring	1
21	203020047	cable clamp	3
22	303240661	self-propelled controller	1
23	303042104	flat washer	4
24	303010226	screw ST4x16	33
25	202040068A	1200W Motor	1
26	303030036	hex lock nut M8	3
27	203021343	motor base	1
28	303020635	bolt M6x12	4
29	303010028	screw ST4x18	5
30	303020649	bolt M8x20	3
31	203050381B	side discharge cover	1
32	303130379	torsional spring	1

Item	Stock#	Description	Qty
33	303160833	side discharge holder	1
34	303160410A	torsional spring pin	1
35	303020468	hexagon bolt M6x10mm	2
36	203050382A	side discharge chute	1
37	203021335A	wind deflector	1
38	203021337	motor fan	1
39	303240662A	21" blade	1
40	203021355	blade bolt Nylon cover	1
41	203050988	8" front right wheel cover	1
42	303030077	hex lock nut M8	6
43	303100065	wheel bearing	4
44	302090173	rear wheel	2
45	303043039	flat washer	2
46	303020561	bolt M6x16	2
47	303041009	spring washer	2
48	303181190A	front axle welding	1
49	303010216	screw ST6.3x20	8
50	303071420	wheel clamp	2
51	203050989	front left wheel cover	1
52	303010332	screw ST6.3x20	15
53	203050399C	front cover	1
54	203051014	front cover plate	1
55	303181125A	deck	1
56	203021336	rear wheel cover	2
57	303100002	deep groove ball bearing	6
58	303050007	shaft ring	4
59	301030103	high wheel self-dripper	1
60	306040044	connecting line	1
61	303071600	fixing plate	1
62	303020562	bolt M6x10	1
63	303010108	screw ST4.8x16	2
64	303030032	hex lock nut M6	6

Item	Stock#	Description	Qty
65	303181426	connecting rod	1
66	203050991	rear left wheel cover	1
67	203040021A	11.5" rear wheel	2
68	303160471A	moving gear L	1
69	303123017A	cylindrical pin	2
70	203010806A	dust cover	2
71	303181191A	rear wheel axel welding	1
72	303020339	hexagon bolt M6x14	2
73	203050936	adjusting handle upper cover	1
74	203050937	adjusting handle lower cover	1
75	303210038	handle bar rivet	1
76	303160470A	moving gear R	1
77	203050990	11.5" rear right wheel cover	1
78	203050562	back cover torsional spring	1
79	303081150	shaft	1
80	203050541	back plate	1
81	203050993	rear seat	1
82	303160974	spiral tooth block	2
83	303010161	screw	1
84	203050994	grass baffle plate	1
85	203050995	grass baffle plate cover	1
86	203010962	cyclotron rod set	1
87	303130385	cyclotron rod spring	1
88	203021500	cyclotron rod	1
89	303071597	right upper handrail	1
90	203010869	scratch-resistant pieces	4
91	303071390	handrail bar	1
92	203050530	handrails' right upper cover	1
93	203050529	handrails' right lower cover	1
94	203050533	pressing pad	2
95	303130391	spring	2
96	203021248	plastic stopper	2

Item	Stock#	Description	Qty
97	203010868	self-locking clamp	2
98	303130358	self-locking clamp spring	2
99	303100087	self-locking clamp shaft	2
100	303071596	lower right handrail	1
101	203021348	foldable release handle	2
102	303123030	cylindrical pin	2
103	303042181	flat washer	2
104	303160611B	screw	2
105	203050534	rotating recess socket	2
106	303160965	rotating recess	2
107	303030087	hex lock nut M6	4
108	303020503	outer hexagon bolt	4
109	306010057	PVC coating cable clip	2
110	303071595	lower left handrail	1
111	203010870	scratch-resistant pieces	2
112	306040039	pulley switch wire	1
113	301100058	pulley switch	1
114	203050532	handrails' left lower cover	1
115	203050531	handrails' left upper cover	1
116	303071598	left upper handrail	1
117	203021346	switch trigger	2
118	301100057	switch	2
119	203021366	switch knob	1
120	303130363	switch trigger spring	2
121	203050985	panel upper cover	1
122	301100056	button switch	2
123	301011023	PC Board	1
124	203050528	panel lower cover	1
125	306040035	connecting line	1
126	302080050B	plastic barrier	1
127	303081356	grass collecting support	1
128	302120014	collection bag	1

THREE (3) YEARS LIMITED WARRANTY

PowerSmart® is committed to building tools that are dependable for years. Our warranties are consistent with our commitment and dedication to quality.

THREE (3) YEARS LIMITED WARRANTY OF POWERSMART PRODUCTS FOR HOME USE.

PowerSmart ("Seller") warrants to the original purchaser only, that all PowerSmart consumer power tools will be free from defects in material or workmanship for a period of three (3) years from date of purchase. Ninety (90) days for all PowerSmart Products if the tool is used for professional or commercial use.

SELLER'S SOLE OBLIGATION AND YOUR EXCLUSIVE REMEDY under this Three (3) Years Limited Warranty and, to the extent permitted by law, any warranty or condition implied by law, shall be the repair or replacement of parts, without charge, which are defective in material or workmanship and which have not been misused, carelessly handled, or misrepaired by persons other than Seller or Authorized Service Center. To make a claim under this Limited Warranty, you must return the entire power tool product; transportation prepaid, to PowerSmart Include a legible copy of the original receipt, which lists the date of purchase (month and year) and the name of the company purchased from.

THIS LIMITED WARRANTY DOES NOT APPLY TO ANY ACCESSORY ITEMS INCLUDED WITH THE TOOL SUCH AS CIRCULAR SAW BLADES OTHER RELATED ITEMS OR TO ANY REPLACEMENT PARTS LISTED UNDER MAINTENANCE.

ANY IMPLIED WARRANTIES SHALL BE LIMITED IN DURATION TO THREE (3) YEARS FROM DATE OF PURCHASE. SOME STATES IN THE U.S. AND SOME CANADIAN PROVINCES DO NOT ALLOW LIMITATIONS ON HOW LONG AN IMPLIED WARRANTY LASTS, SO THE ABOVE LIMITATION MAY NOT APPLY TO YOU.

IN NO EVENT SHALL SELLER BE LIABLE FOR ANY INCIDENTAL OR CONSEQUENTIAL DAMAGES (INCLUDING BUT NOT LIMITED TO LIABILITY FOR LOSS OF PROFITS) ARISING FROM THE SALE OR USE OF THIS PRODUCT. SOME STATES IN THE U.S. AND SOME CANADIAN PROVINCES DO NOT ALLOW THE EXCLUSION OR LIMITATION OF INCIDENTAL OR CONSEQUENTIAL DAMAGES, SO THE ABOVE LIMITATION OR EXCLUSION MAY NOT APPLY TO YOU.

THIS LIMITED WARRANTY GIVES YOU SPECIFIC LEGAL RIGHTS, AND YOU MAY ALSO HAVE OTHER RIGHTS WHICH VARY FROM STATE TO STATE IN THE U.S., PROVINCE TO PROVINCE IN CANADA AND FROM COUNTRY TO COUNTRY.

For questions / comments, technical assistance or repair parts –
Please call customer service at: 1-800-791-9458 (M-F 9am – 5pm EST)
Email: support@amerisuninc.com

SAVE YOUR RECEIPTS. THIS WARRANTY IS VOID WITHOUT THEM.

TABLE DES MATIÈRES

Table des matières	30
Données techniques.....	30
Informations sur la sécurité.....	31
Symboles	37
Connaître votre tondeuse à gazon	40
Instruction d'assemblage	41
Utilisation de votre tondeuse à gazon	46
Maintenance.....	52
Service.....	53
Élimination des piles sans danger pour l'environnement	54
Dépannage	55
Vue éclatée et liste des pièces.....	56
Déclaration de garantie	59

DONNÉES TECHNIQUES

22" TONDEUSE À GAZON SANS FIL 80V	Modèle # PS76822SRB
Type de batterie:	Lithium-ion 80V, 6Ah
Temps de chargement:	90 minutes
Largeur de coupe:	22 pouces
Ajustement de la hauteur:	5 Position
Capacité de capture d'herbe:	17.2 Gallon
Roue:	Front: 8 pouces / arrière: 11.5 pouces
Poids (avec batterie):	60 livres

INFORMATIONS SUR LA SÉCURITÉ

RÈGLES DE SÉCURITÉ

AVERTISSEMENT: Lors de l'utilisation d'une tondeuse à gazon électrique, vous devez respecter des précautions de sécurité de base afin de réduire le risque d'incendie, de choc électrique et de blessures corporelles, notamment:

VEUILLEZ LIRE ATTENTIVEMENT TOUTES LES INSTRUCTIONS.

AVERTISSEMENT: Ce symbole indique des instructions de sécurité importantes. Si ces instructions ne sont pas respectées, cela pourrait mettre en danger la sécurité personnelle et / ou la propriété de l'utilisateur et d'autres personnes. Veuillez lire et comprendre toutes les instructions de ce manuel avant l'utilisation. Le non-respect de ces instructions peut entraîner des blessures.



DANGER

Cette tondeuse a été conçue pour le fonctionnement conforme aux règles de sécurité d'utilisation incluses dans ce manuel. À l'instar de tout type d'équipement électrique, la négligence ou l'erreur de l'utilisateur peut provoquer des blessures graves. Cette tondeuse peut amputer des parties du corps et éjecter des objets. Le non-respect des règles de sécurité suivantes peut entraîner des blessures graves voire la mort.

AVERTISSEMENT: Veuillez respecter toujours des précautions de sécurité de base lors de l'utilisation de cette tondeuse à gazon afin de réduire les risques d'incendie, de choc électrique et de blessures.

AVERTISSEMENT: Cette tondeuse ne peut être utilisée que par les personnes qui ont lu et compris et qui respecteront les avertissements et les instructions inclus dans ce manuel et sur la tondeuse.

- Veuillez lire attentivement toutes les instructions avant l'assemblage et l'utilisation. Veuillez conserver ce manuel dans un endroit sûr pour référence future.
- Veuillez vous familiariser avec tous les contrôles et leur correct fonctionnement. Veuillez apprendre comment arrêter la tondeuse et comment mettre hors tension en cas d'urgence.
- Afin d'éviter tout contact avec la lame ou toute blessure causée par un objet éjecté, veuillez rester dans la zone de fonctionnement derrière les poignées et éloigner les enfants et les passants à au moins 100 '(30 m) de la tondeuse au cours de son fonctionnement. Arrêtez immédiatement le moteur si quelqu'un pénètre dans la zone de fonctionnement.
- Veuillez inspecter soigneusement la zone où la tondeuse sera utilisée. Retirez toutes les pierres, bâtons, fils, os, jouets et autres objets pouvant être heurtés par la lame. Les objets projetés peuvent provoquer des blessures graves.
- Veuillez planifier votre plan de tonte pour éviter de décharger des matériaux vers les routes, les trottoirs, les passants, etc. Ne pas décharger les matériaux contre un mur ou un obstacle pour éviter de blesser l'utilisateur.

- Veuillez porter toujours un équipement de protection oculaire approprié conformément à la norme ANSI Z87.1 de protéger vos yeux lors de l'utilisation, du réglage ou de la réparation. Les objets éjectés peuvent blesser gravement les yeux.
- Veuillez porter toujours un masque facial ou un masque anti-poussière au cours de l'utilisation de la tondeuse dans un environnement poussiéreux.
- Veuillez vous habiller de façon correcte. Ne portez pas de vêtements amples ou de bijoux susceptibles d'entrer dans les pièces mobiles. Il est recommandé de porter des gants de protection et des chaussures de sécurité.
- Beaucoup de blessures peuvent survenir quand la tondeuse est tirée sur le pied de l'opérateur en cas de chute découlant d'un glissement ou un trébuchement. Ne pas utiliser cette tondeuse pieds nus ou en portant des sandales ou des chaussures légères (par exemple, en toile). Ne vous accrochez pas à la tondeuse si vous tombez. Relâchez immédiatement la poignée.
- Ne tirez jamais la tondeuse vers vous lorsque vous marchez. Si vous devez éloigner la tondeuse d'un mur ou d'un obstacle, veuillez regarder d'abord vers le bas et derrière afin d'éviter de trébucher, puis suivre les étapes:
 - Veuillez reculer depuis la tondeuse afin d'étendre complètement vos bras.
 - Assurez-vous d'être bien équilibré.
 - Tirez lentement la tondeuse vers l'arrière.
- N'utilisez la tondeuse que pour les travaux auxquels elle est destinée. Ne forcez pas la tondeuse.
- N'utilisez pas la tondeuse sous l'influence de l'alcool ou de drogues.
- Demeurez vigilant: n'utilisez pas la tondeuse lorsque vous êtes fatigué. Faites attention à ce que vous faites. Faites preuve de bon sens.
- Ne placez pas les mains ou les pieds près des pièces en rotation ou sous le plateau de coupe. Le contact avec la lame risque d'amputer les mains et les pieds.
- Ne pas essayer de régler les roues ou la hauteur de coupe pendant le fonctionnement du moteur.
- Évitez les environnements dangereux. N'utilisez pas la tondeuse sous la pluie ou dans l'herbe mouillée ou humide.
- Tondez uniquement à la lumière du jour ou sous une bonne lumière artificielle. Ne précipitez pas un travail de tonte.
- Arrêtez la lame lorsque vous traversez des rues, allées ou routes en gravier.
- Si la tondeuse commence à vibrer excessivement, arrêtez le moteur, retirez la batterie et recherchez immédiatement la cause. Les vibrations indiquent généralement que la tondeuse ne fonctionne pas correctement ou nécessite une réparation.
- Arrêtez le moteur et attendez que la lame s'arrête complètement avant de retirer le sac à herbe ou de déboucher la goulotte. La lame de coupe continuera de tourner pendant quelques secondes après l'arrêt du moteur. Ne placez aucune partie de votre corps dans la zone de la lame tant que vous n'êtes pas sûr que la lame a cessé de tourner.
- N'utilisez jamais la tondeuse sans bouclier anti-traînée, couvercle de décharge, sac à

herbe, interrupteur ou un autre dispositif de sécurité en place et en état de marche. N'utilisez pas la tondeuse avec des dispositifs de sécurité endommagés. Cela pourrait entraîner des blessures.

- Ne forcez pas la tondeuse à gazon. Il fonctionnera mieux et plus en sécurité au rythme pour lequel il a été conçu.
- Rangez la tondeuse à gazon à l'intérieur. Lorsqu'elle n'est pas utilisée, la tondeuse à gazon doit être rangée dans un endroit sec et à l'abri des regards, hors de la portée des enfants.
- Entretenez la tondeuse à gazon. Gardez les bords de coupe aiguisés et propres pour assurer les meilleures performances et la sécurité.
- Si la tondeuse à gazon heurte un objet étranger, procédez comme suit:
 - Arrêtez la tondeuse à gazon, relâchez l'interrupteur.
 - Retirez la batterie.
 - Vérifiez les dommages.
 - Réparez tout dommage avant le redémarrage et l'utilisation de la tondeuse à gazon.
 - Ne chargez pas la tondeuse à gazon sous la pluie ou dans un endroit humide.
 - Retirez ou déconnectez la batterie avant de procéder à l'entretien, au nettoyage ou au retrait des matériaux de la tondeuse à gazon.
 - Veuillez inspecter régulièrement le cordon de la tondeuse à gazon et, s'il est endommagé et faire réparer par un centre de service autorisé.
 - Utilisez uniquement des lames de rechange identiques.
 - Conservez la tondeuse à l'intérieur et ne pas l'exposer à la pluie ou à l'eau, évitez le soleil direct.

SÉCURITÉ DES ENFANTS

Des accidents tragiques pourraient survenir si l'utilisateur n'est pas conscient de la présence d'enfants.

- Tenez les enfants hors de la zone de tonte et sous la surveillance d'un adulte responsable.
- Ne laissez pas les enfants de moins de 14 ans utiliser cette tondeuse. Les enfants de 14 ans et plus doivent lire et comprendre les instructions et les règles de sécurité de ce manuel, et doivent être formés et supervisés par un parent.
- Demeurez vigilant et éteignez la tondeuse si un enfant ou toute autre personne pénètre dans la zone de tonte.
- Vérifiez s'il y a des petits enfants avant et lors du déplacement vers l'arrière.
- Soyez extrêmement prudent lorsque vous approchez des coins aveugles, des portes, des arbustes, des arbres ou d'autres objets qui peuvent obscurcir la vue d'un enfant courant sur le chemin de la tondeuse.

BATTERIE ET CHARGEUR

ATTENTION: UTILISEZ UNIQUEMENT DES BATTERIES DE REMPLACEMENT APPROUVÉES PAR POWERSMART, CAR D'AUTRES BATTERIES PEUVENT CAUSER DES BLESSURES OU DES DOMMAGES À LA TONDEUSE. Utilisez ce produit uniquement avec les batteries POWERSMART 40V.

RÈGLES DE SÉCURITÉ DE LA BATTERIE

- Les outils fonctionnant sur batteries n'ayant pas besoin d'être branchés sur une prise secteur, ils sont toujours en état de fonctionnement. Tenez compte des dangers possibles lorsque l'outil n'est pas en usage et lors du remplacement des batteries. Le respect de cette consigne réduira les risques d'incendie, de choc électrique et de blessures graves.
- Ne pas placer les outils électriques sans fil ou leurs batteries à proximité des flammes ou d'une source de chaleur. Ceci réduira les risques d'explosion et de blessures.
- Ne pas écraser, faire tomber ou endommager le bloc-batterie. Ne jamais utiliser un bloc-batterie ou un chargeur qui est tombé, a été écrasé, a reçu un choc violent ou a été endommagé de quelque façon que ce soit. Une batterie endommagée risque d'exploser. Éliminez immédiatement toute batterie endommagée, selon une méthode appropriée.
- Les batteries peuvent exploser en présence d'une source d'allumage, telle qu'une veilleuse. Pour réduire les risques de blessures graves, ne jamais utiliser un appareil sans fil, quel qu'il soit, en présence d'une flamme vive. En explosant, une batterie peut projeter des débris et des produits chimiques. En cas d'exposition, rincer immédiatement les parties atteintes avec de l'eau. Ne chargez pas l'outil de batterie dans un endroit humide ou mouillé. Le respect de cette règle réduira le risque de choc électrique.
- Pour de meilleurs résultats, votre outil fonctionnant sur batteries doit être chargé dans un endroit où la température est supérieure à 45 ° F mais inférieure à 104 ° F. Afin de réduire le risque de blessures graves, ne pas entreposer à l'extérieur ou dans des véhicules.
- Dans des conditions d'utilisation ou de température extrêmes, une fuite de la batterie pourrait se produire. Si du liquide entre en contact avec votre peau, lavez-vous immédiatement à l'eau et au savon. Si du liquide pénètre dans vos yeux, rincez-les à l'eau propre pendant au moins 10 minutes, puis consultez immédiatement un médecin. Le respect de cette règle réduira le risque de blessures graves.
- Lorsque le bloc-batterie n'est pas utilisée, éloignez-la des autres objets métalliques tels que les clips de papier, les pièces de monnaie, les clés, les clous, les vis ou autres petits objets métalliques susceptibles d'établir une connexion d'une borne à une autre. Un court-circuit entre les bornes de la batterie peut provoquer des étincelles, des brûlures ou un incendie.
- Retirez toujours la batterie de votre outil lorsque vous assemblez des pièces, effectuez des réglages, nettoyez ou lorsque vous ne l'utilisez pas. Le retrait de la batterie empêchera un démarrage accidentel qui pourra entraîner des blessures graves.
- Retirez toujours la batterie avant de ranger l'appareil. Lorsque la batterie est

complètement chargée, débranchez le chargeur de l'alimentation électrique et retirez la batterie du chargeur.

- Portez toujours des lunettes de protection avec des protections latérales marquées conformément à la norme ANSI Z87.1, ainsi qu'une protection auditive. Si vous ne le faites pas, des objets pourraient être éjectés dans les yeux, ce qui provoquera des blessures graves.
- Gardez la batterie au sec, propre et exempte d'huile et de graisse. Nettoyez-la toujours à l'aide d'un chiffon propre. Ne nettoyez jamais la batterie avec du liquide de frein, de l'essence, des produits à base de pétrole ou des solvants.
- N'ouvrez pas et n'endommagez pas la batterie. L'électrolyte libéré est corrosif et peut endommager les yeux ou la peau. Il peut être toxique en cas d'ingestion.

ENTRETIEN CORRECT DE LA BATTERIE

Entreposage hors saison

Pour prolonger la durée de vie de la batterie autant que possible, il est recommandé de:

- Retirer la batterie du chargeur une fois qu'elle est complètement chargée et prête à l'emploi. Pour le stockage de la batterie de plus de 30 jours:
- Stocker le bloc-batterie à une température inférieure à 80 ° F et à l'abri de l'humidité.
- Stocker le bloc-batterie dans un état de charge de 30% à 50%.
- Charger le bloc-batterie tous les deux mois de stockage.

RÈGLES DE SÉCURITÉ DU CHARGEUR

- Chargez la batterie de la tondeuse dans un endroit sec et à l'abri des intempéries. N'exposez pas la tondeuse ou le chargeur à la pluie. Ne chargez pas la batterie dans un endroit humide. Utilisez le chargeur de batterie à des températures comprises entre 45 ° et 104 ° F. Afin de réduire le risque de choc électrique, utilisez uniquement le chargeur fourni par le fabricant pour la recharge.
- N'ABUSEZ PAS DU CORDON DE CHARGE. Ne transportez jamais le chargeur par le cordon. Ne pas débrancher le chargeur de la prise ou de la tondeuse en tirant sur le cordon du chargeur.
- N'utilisez pas un chargeur endommagé. Remplacez immédiatement les cordons du chargeur ou le chargeur.
- Tenez la tondeuse et le chargeur éloignés de l'eau, des sources de chaleur (radiateurs, réchauffeurs, poêles, etc.), des flammes et des produits chimiques.
- Assurez-vous que le bloc-batterie est fixé dans le chargeur avant l'utilisation.
- Le bloc-batterie devient légèrement chaud au toucher pendant la charge. C'est un phénomène normal qui n'indique pas de problème.
- Ne placez pas le chargeur et la batterie dans une zone de chaleur ou de froid extrême. Ils fonctionneront mieux à une température ambiante normale.
- Lorsque les batteries sont complètement chargées, débranchez le chargeur de l'alimentation électrique et retirez le bloc-batterie.

AVERTISSEMENT: lors du transport ou de l'entretien de l'unité, retirez toujours la batterie.

AVERTISSEMENT: Certaines poussières créées par le ponçage, le sciage, le meulage, le forage et d'autres activités de construction contiennent des produits chimiques connus de l'état de Californie pour causer le cancer et les anomalies congénitales et autres dommages à la reproduction. Quelques exemples de ces produits chimiques sont :






- le plomb à partir de peintures à base de plomb
- la silice cristalline à partir de briques, le ciment et autres produits de maçonnerie
- l'arsenic et le chrome provenant du bois traité chimiquement.





Votre risque découlant de ces expositions varie selon la fréquence à laquelle vous faites ce type de travail.





Pour réduire votre exposition à ces produits chimiques: travaillez dans un endroit bien ventilé et avec un équipement de sécurité approuvé, par exemple, les masques anti-poussière spécialement conçus pour filtrer les particules microscopiques.

SYMBOLES

Certains des symboles suivants peuvent être utilisés sur ce produit. S'il vous plaît, étudiez-les et apprenez à les connaître. Une interprétation correcte de ces symboles vous permettra d'utiliser le produit mieux et de manière plus sûre.

SYMBOLE	NOM	DÉSIGNATIONS
V	Volts	Tension
A	Ampères	Courant
Hz	Hertz	Fréquence (cycles par seconde)
W	Watts	Puissance
min	Minutes	Temps
---	Courant continu	Type ou caractéristique de courant
n ₀	Pas de vitesse de chargement	Vitesse rationnelle, sans charge
/min	Par minute	Rotation, course, vitesse de surface, orbites, etc., par minute
	Alerte de sécurité	Indique un risque potentiel de blessure corporelle.
	Alerte de conditions humides	Risque de coupure / démembrement de la main. Éloignez vos mains de la lame rotative.
	AVERTISSEMENT	Pour réduire le risque de blessure, l'utilisateur doit lire le manuel d'instructions.
	Protection des yeux	Portez des lunettes et une protection auditive. Pour vous protéger contre les blessures, portez des protège-oreilles et des lunettes de sécurité.
	Éloigner les mains et les pieds	Gardez les mains et les pieds éloignés de la lame et de la zone de coupe.

	Hors de la portée	Coupure des orteils ou des doigts par la lame de la tondeuse rotative.
	Risque de glissement	Risque de glissement sur pente - Soyez extrêmement prudent lorsque vous tondez sur des pentes pour éviter les accidents de glissement et de chute.
	Éloigner les passants	Gardez tous les passants à au moins 100 pieds.
	ATTENTION	Les objets ramassés et éjectés par la lame rotative peuvent provoquer de graves blessures.

SYMBOLE	NOM	DESCRIPTIONS
	DANGER	Indique une situation dangereuse imminente qui, si elle n'est pas évitée, peut entraîner la mort ou des blessures graves.
	ALERTE DE CONDITIONS HUMIDES	Ne pas exposer à la pluie ou utiliser dans des endroits humides
	AVERTISSEMENT	Indique une situation potentiellement dangereuse qui, si elle n'est pas évitée, peut entraîner la mort ou des blessures graves.
	ATTENTION	Indique une situation potentiellement dangereuse qui, si elle n'est pas évitée, peut entraîner des blessures petites ou moyennes.

PROTECTION DE L'ENVIRONNEMENT



Les produits électriques usagés ne doivent pas être jetés avec les ordures ménagères. Veuillez recycler là où il y a des installations.

Renseignez-vous auprès des autorités locales ou de votre détaillant pour le recyclage.

La batterie contient des matières dangereuses pour vous et pour l'environnement. Elle doit être enlevée et éliminée séparément dans une installation qui accepte les batteries au lithium-ion.

SERVICE

L'entretien nécessite un soin et des connaissances extrêmes et ne doit être effectué que par un technicien de maintenance qualifié. Pour le service, nous vous recommandons de retourner le produit à votre CENTRE DE SERVICE AUTORISÉ le plus proche pour la réparation. Lors de l'entretien, utilisez uniquement des pièces de rechange identiques.

AVERTISSEMENT: Pour éviter des blessures graves, n'essayez pas d'utiliser ce produit avant d'avoir lu attentivement ce manuel et de l'avoir bien compris. Si vous ne comprenez pas les avertissements et les instructions de ce manuel, n'utilisez pas ce produit. **Appelez la ligne d'assistance gratuite (1-800-791-9458) pour obtenir de l'aide.**

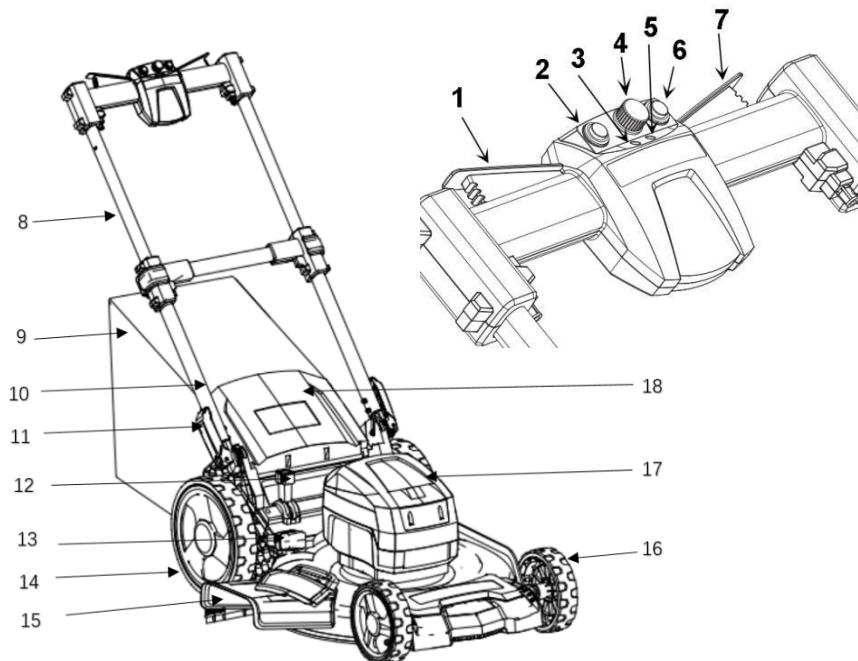
AVERTISSEMENT :

L'utilisation d'un outil électrique peut entraîner la projection de corps étrangers dans les yeux, ce qui peut entraîner de graves lésions oculaires.

Avant de commencer à utiliser l'outil motorisé, toujours porter des lunettes de protection avec écrans latéraux et, le cas échéant, un écran facial intégral. Nous recommandons l'utilisation du masque de sécurité à vision large sur des lunettes de sécurité standard avec écrans latéraux. Toujours utiliser une protection oculaire conforme à la norme ANSI Z87.1.

CONNAÎTRE VOTRE TONDEUSE À GAZON

Avant d'utiliser votre tondeuse à gazon, lisez ce manuel d'utilisation et les règles de sécurité. Veuillez comparer l'illustration ci-dessous à votre tondeuse à gazon pour vous familiariser avec les commandes et réglages. Veuillez conserver ce manuel d'instructions pour référence future.



1	Interrupteur de conduite	10	Poignée inférieure
2	Interrupteur d'éclairage	11	Bouton de libération pliable
3	Indication des défauts	12	Poignée de contrôle de décharge latérale
4	Interrupteur de vitesse	13	Levier de réglage de la hauteur arrière
5	Indicateur de batterie	14	Roue arrière
6	Interrupteur de démarrage	15	Goulotte d'éjection latérale
7	Interrupteur de fauchage	16	Roue avant
8	Poignée supérieure	17	Assemblage de la batterie
9	Sac de ramassage d'herbe	18	Couvercle de décharge arrière

INSTRUCTIONS DE MONTAGE

DÉBALLAGE

- Sortez soigneusement le produit et ses accessoires de la boîte. Assurez-vous que tous les articles énumérés dans la liste d'emballage sont inclus.
- Inspectez soigneusement le produit pour vous assurer qu'aucun bris ou dommage n'est survenu pendant le transport.
- Ne jetez pas le matériel d'emballage avant d'avoir inspecté soigneusement le produit et de l'avoir utilisé de manière satisfaisante.
- Si des pièces sont endommagées ou manquantes, veuillez appeler le 1-800-791-9458 pour obtenir de l'aide.

LISTE

D'EMBALLAGE

- Tondeuse à gazon
- Décharge latérale
- Sac de ramasseur d'herbe
- Clé de sécurité
- Bloc-piles
- Chargeur
- Manuel d'utilisation

AVERTISSEMENT : Si des pièces sont endommagées ou manquantes, n'utilisez pas ce produit tant que les pièces n'ont pas été remplacées. L'utilisation d'un produit dont certaines pièces sont endommagées ou manquantes pourrait entraîner des blessures graves.

AVERTISSEMENT : N'essayez pas de modifier ce produit ou de créer des accessoires non recommandés pour l'utilisation de ce produit. Toute altération ou modification de ce type constitue une utilisation abusive et peut entraîner des conditions dangereuses pouvant causer des blessures graves.

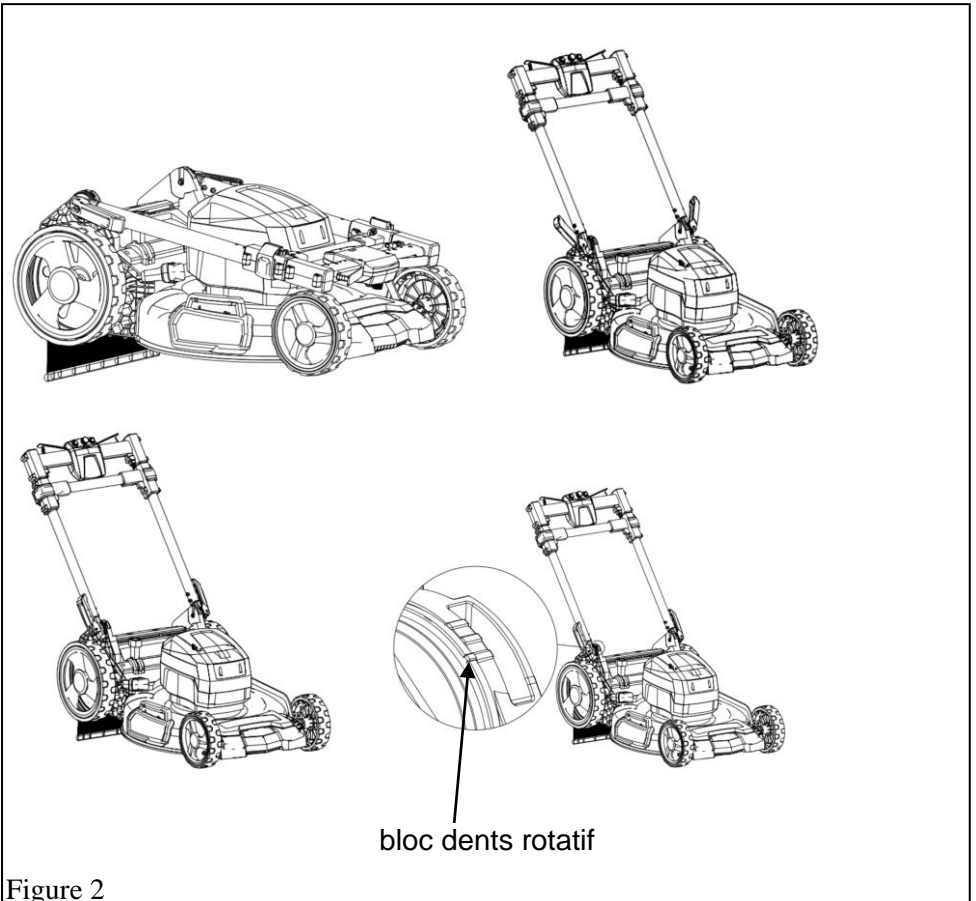
AVERTISSEMENT : N'insérez pas la batterie avant que l'assemblage soit terminé et que vous soyez prêt à tondre. Le non-respect de cette consigne peut entraîner un démarrage accidentel et des blessures graves.

AVERTISSEMENT : Pour éviter tout démarrage accidentel pouvant entraîner des blessures graves, retirez toujours la batterie du produit lorsque vous assemblez des pièces.

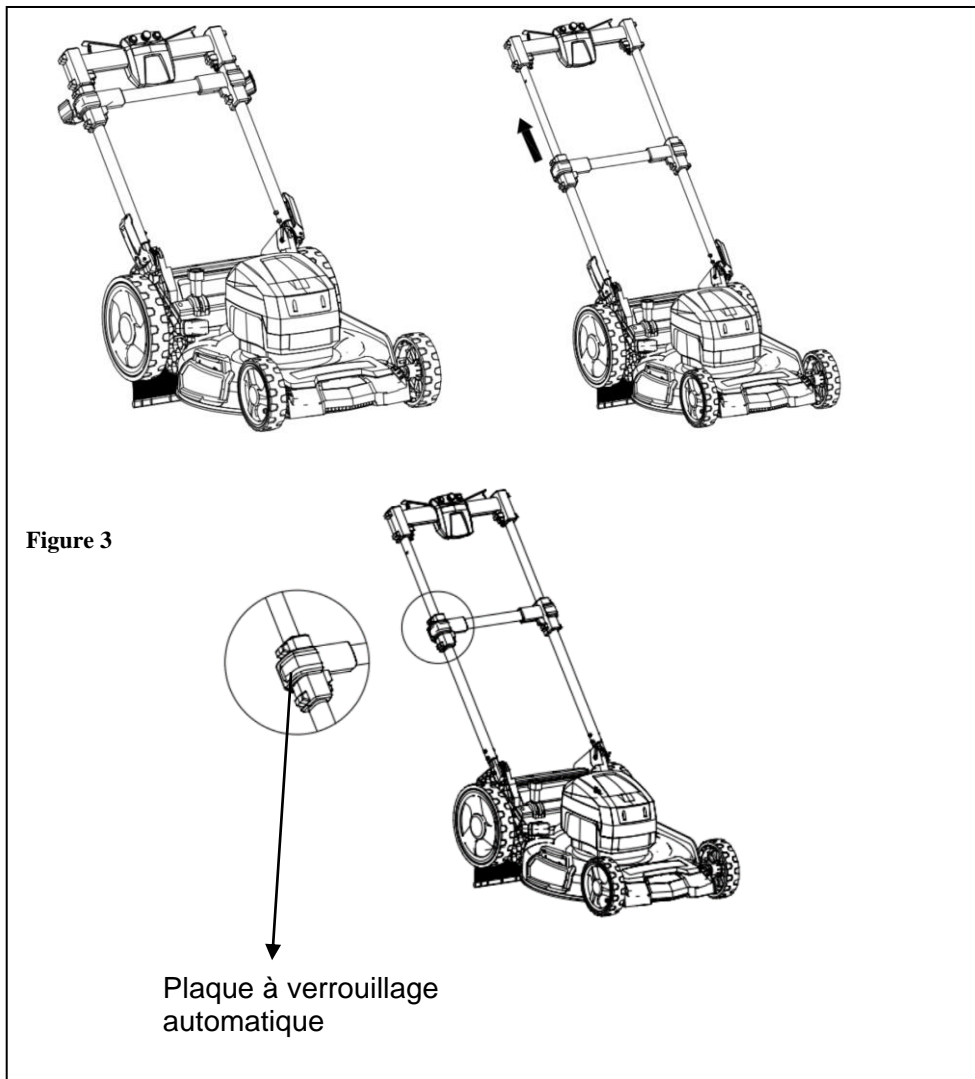
AVERTISSEMENT : N'utilisez jamais la tondeuse sans que les dispositifs de sécurité appropriés soient en place et fonctionnent. N'utilisez jamais la tondeuse si les dispositifs de sécurité sont endommagés. L'utilisation de ce produit avec des pièces endommagées ou manquantes pourrait entraîner des blessures graves.

FIXEZ LA POIGNÉE INFÉRIEURE ET SUPÉRIEURE (Voir Figure 2-3)

1. Soulevez d'abord la tondeuse à gazon hors de la boîte.
2. Placer la poignée pliée dans la position indiquée ci-dessous et serrer par rotation du bouton de libération pliable dans la poignée inférieure. Faites tourner le bloc de dents rotatif pour ajuster la hauteur de la poignée



3. Veuillez libérer la plaque autobloquante. Veuillez à tirer la poignée supérieure en place. Veuillez verrouiller ensuite la plaque autobloquante. Il est à noter que la plaque autobloquante ne peut pas être verrouillée si la poignée supérieure n'est pas mise en place. Seulement quand ces éléments sont en place et que le bloc-batterie est installé avec l'insertion de la clé de sécurité, cet appareil prêt pour nous.



INSTALLATION DU SAC DE RAMASSEUR D'HERBE (Voir Figure 4)

Tirez la porte d'éjection arrière dans une position appropriée, puis accrochez le ramasseur d'herbe et posez la porte d'éjection arrière.

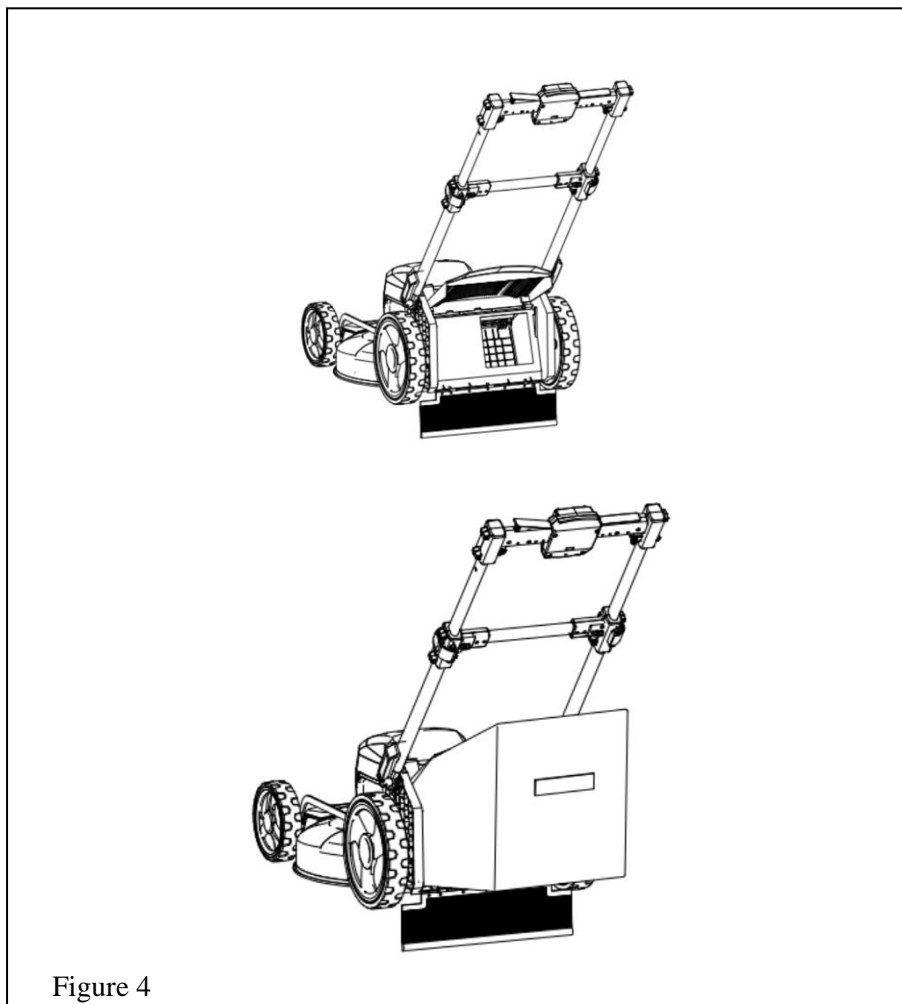


Figure 4

GOULOTTE D'ÉJECTION LATÉRALE

- Sur le côté de la tondeuse, soulevez le couvercle de l'éjection latérale.
- Faites glisser les deux crochets de la goulotte d'éjection latérale sous l'axe de la charnière du couvercle d'éjection latérale. Abaissez le couvercle de l'éjection latérale.

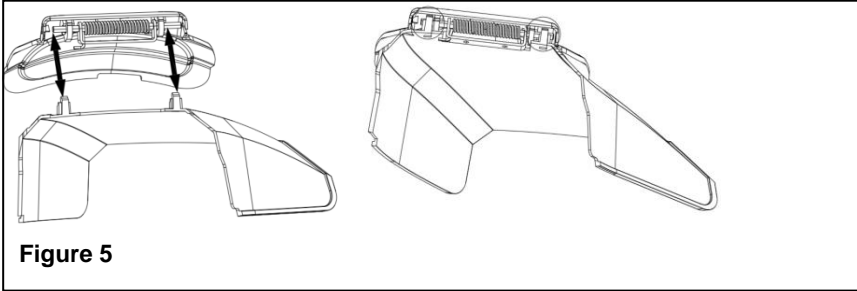


Figure 5

Attention: N'essayez jamais de retirer le couvercle à décharge latérale à ressort monté en permanence.

Il est à noter que vous devez installer un bouchon arrière lors de l'utilisation comme décharge latérale et que vous ne devez pas installer un bouchon arrière lors de l'utilisation comme ensacheuse arrière.

POUR INSTALLER LE BLOC-PILES (Voir Figure 7)

- Levez et maintenez le couvercle de la batterie.
- Placez la batterie sur la tondeuse. Alignez les nervures guidées du bloc-pile avec les rainures du port de la batterie du produit.
- Assurez-vous que le loquet situé au bas de la batterie s'enclenche et que la batterie est bien en place et bien fixée dans le produit avant de commencer à fonctionner.
- Insérez la clé de sécurité.
- Si l'appareil ne doit pas être utilisé immédiatement, n'insérez pas la clé de sécurité.
- Fermez la porte.

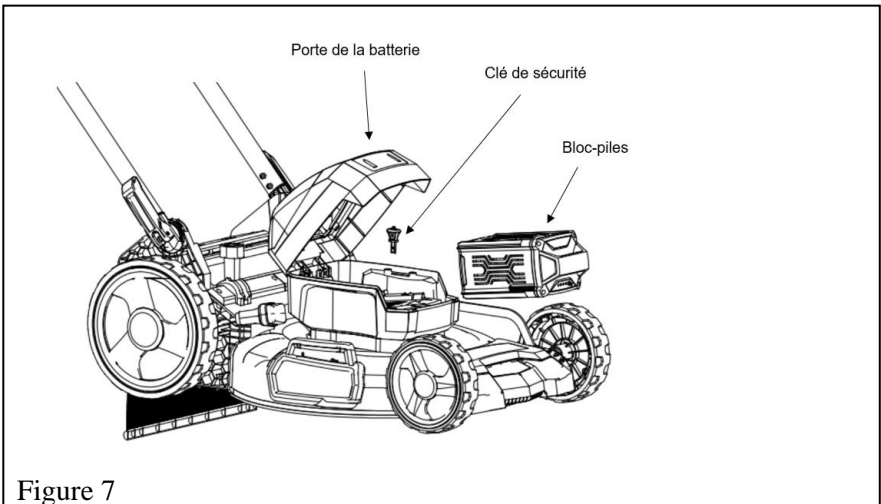


Figure 7

POUR RETIRER LA BATTERIE (Voir Figure 7)

- Lâchez la gâchette de fauchage et actionnez la gâchette pour arrêter le produit.
- Retirez la clé de sécurité.
- Appuyez et maintenez le bouton de verrouillage de la batterie au bas de la batterie. Retirez la batterie du produit.

UTILISATION DE VOTRE TONDEUSE À GAZON

DÉMARRAGE/ARRÊT DE LA TONDEUSE (Voir Figure 8)

Pour démarrer la tondeuse :

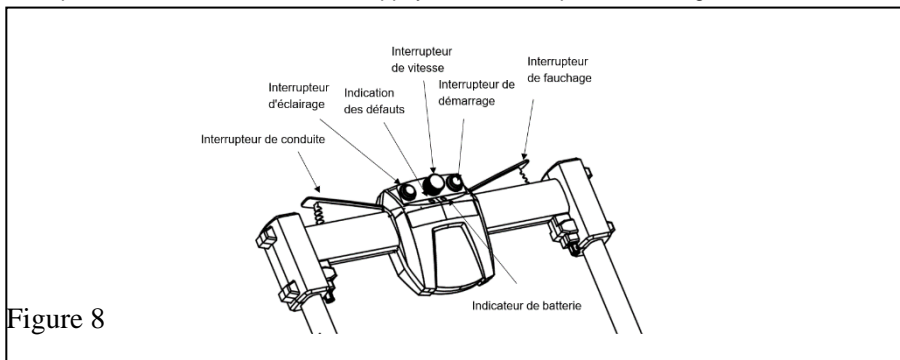
- Installez le bloc-piles et insérez la clé de sécurité.
- Appuyez sur l'interrupteur de démarrage avec la main droite, attendez que le voyant d'alimentation s'allume, appuyez sur l'interrupteur de tonte avec la main gauche, attendez 2-3 secondes, la machine démarre et la lame commence à tourner. Relâchez simplement l'interrupteur de démarrage et vous pourrez commencer à tondre vers l'avant.

Pour faire fonctionner la tondeuse:

- Appuyez sur l'interrupteur de démarrage, le voyant d'alimentation s'allume, puis appuyez sur l'interrupteur de conduite, la tondeuse avance.

REMARQUE: Si aucune autre action n'est effectuée dans les 15 secondes après avoir appuyé sur l'interrupteur de démarrage, appuyez à nouveau sur l'interrupteur de démarrage !

- Lorsque l'interrupteur de tonte et l'interrupteur de conduite sont enfoncés en même temps, relâchez l'interrupteur de conduite, la tondeuse ne s'arrêtera pas de marcher.
- Lorsque l'interrupteur de tonte et l'interrupteur de conduite sont enfoncés en même temps, relâchez l'interrupteur de tonte, la tondeuse s'arrêtera de marcher.
- Lorsque l'interrupteur de tonte n'est pas enfoncé, appuyez sur l'interrupteur d'entraînement, la tondeuse marchera. Relâchez l'interrupteur d'entraînement, la tondeuse s'arrêtera de marcher.
- Commutateur de vitesse rotatif pour régler la vitesse nécessaire.
- Lorsque l'environnement est sombre, appuyez sur l'interrupteur d'éclairage.



Pour arrêter la tondeuse :

- Veuillez relâcher l'interrupteur de tonte, l'interrupteur de conduite et retirer la clé de sécurité pour que la tondeuse s'arrête.

DÉMARRAGE EN DOUCEUR

Cette tondeuse alimentée par la batterie lithium-ion dispose d'une fonction de "démarrage en douceur". Lors du démarrage initial, la tondeuse met environ 3 secondes pour atteindre sa vitesse maximale. Si la tondeuse ne démarre pas initialement : Retirez la batterie et vérifiez sous le carter de la tondeuse que rien n'obstrue la lame et que celle-ci peut tourner librement à la main. Même une petite quantité d'herbe au démarrage empêchera la *démarrage en douceur* de mettre la tondeuse en marche.

ATTENTION : N'essayez pas de contourner le fonctionnement du bouton de démarrage.

AVERTISSEMENT: Le fonctionnement de toute tondeuse peut entraîner la projection de corps étrangers dans les yeux, ce qui peut causer de graves lésions oculaires. Portez toujours des lunettes de sécurité lorsque vous utilisez la tondeuse et lorsque vous effectuez des réglages ou des réparations.

AVERTISSEMENT: Veillez à ce que les autres personnes et les animaux domestiques restent à une distance d'au moins 30 m lorsque la tondeuse est utilisée.

INSPECTEZ LA ZONE DE COUPE. Retirez toutes les pierres, bâtons, fils, os et autres débris qui pourraient être projetés par les lames en rotation.

UTILISATION DE LA POIGNÉE DE COMMANDE POUR LA DÉCHARGE LATÉRALE

La poignée de commande vous permet de ramasser ou de charger de façon latérale l'herbe quand le sac à herbe est attaché à l'appareil.

- ♦ Vous pouvez appuyer sur le bouton (1) de la poignée et tirer le couvercle supérieur (2) de la poignée afin de déplacer la poignée vers l'avant et vers l'arrière.

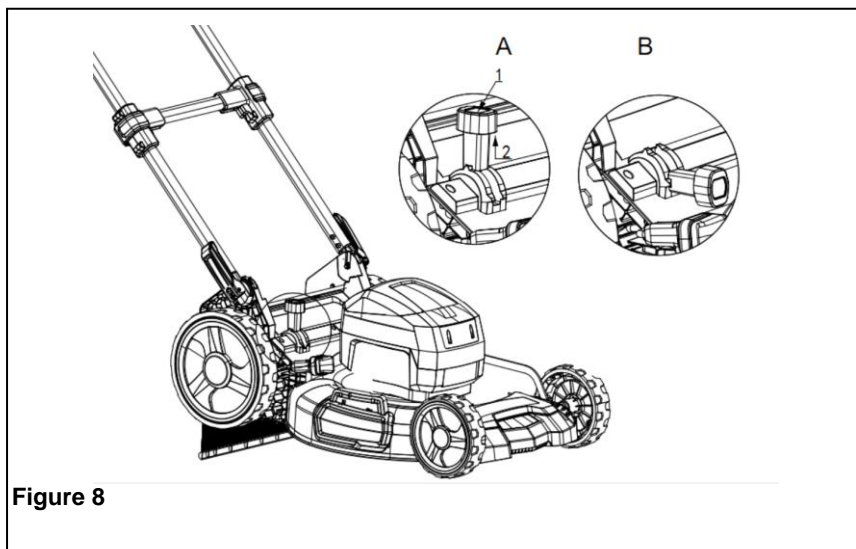


Figure 8

- A. Poignée de commande (en position de décharge latérale)
- B. Poignée de commande (en position d'ensachage)

RÉGLAGE DE LA HAUTEUR DE COUPE (Voir Figure 9)

Lors de l'expédition, les roues de la tondeuse sont réglées sur la position de coupe la plus basse. Avant d'utiliser la tondeuse pour la première fois, relevez la position de coupe à la hauteur la mieux adaptée à votre pelouse. La hauteur moyenne de la pelouse doit se situer entre 1,18" et 2" pendant les mois froids et entre 2" et 3" pendant les mois chauds.

Pour régler la hauteur de la lame:

- Pour augmenter la hauteur de la lame, saisissez le levier de réglage de la hauteur avant (1), puis déplacez-le. Réglez la hauteur de coupe en fonction de l'indication de position des sièges avant et arrière. Plus le chiffre est grand, plus le rapport de vitesse est élevé.

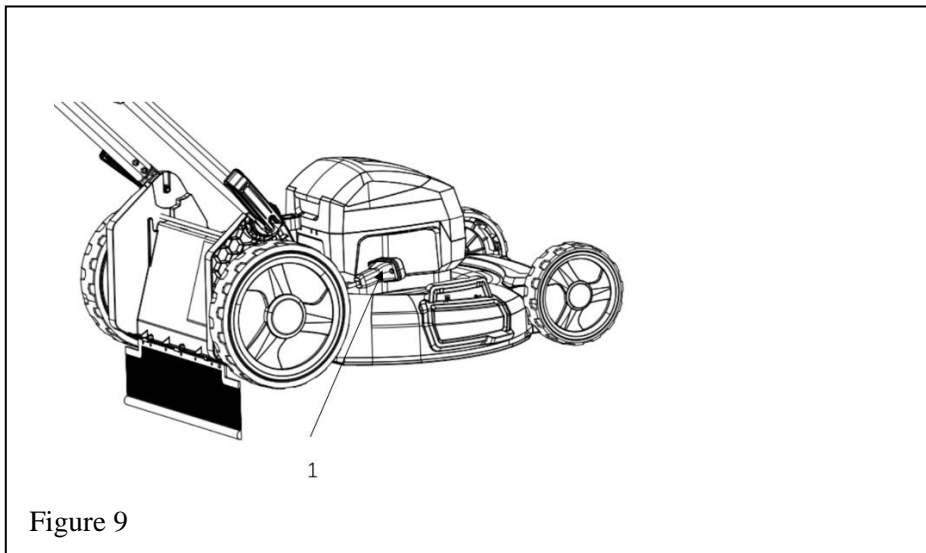


Figure 9

AVERTISSEMENT: Les pentes sont un facteur majeur lié aux accidents impliquant des glissades et des chutes, ce qui peut causer des blessures graves. L'utilisation de la tondeuse sur une pente nécessite une prudence supplémentaire. Si vous vous sentez mal à l'aise sur une pente, ne la tondez pas. Pour votre sécurité, utilisez la jauge de pente incluse dans ce manuel pour mesurer les pentes avant d'utiliser cet appareil sur une zone en pente ou vallonnée.

- Tondez sur la face d'une pente, et jamais de haut en bas. Soyez extrêmement prudent lorsque vous changez de direction sur une pente.
- Faites attention aux trous, ornières, rochers, objets cachés ou bosses qui peuvent provoquer un glissement ou un trébuchement. L'herbe haute peut cacher les obstacles.
- Attention toujours à votre position. Si vous avez l'impression de perdre l'équilibre, relâchez immédiatement la poignée de commande de la lame / du moteur. La lame cessera de tourner dans les 3 secondes.
- Ne tondez pas à proximité de trous, de fossés ou de talus, car vous pourriez perdre votre équilibre.

- Ne tondez pas une pente dont l'angle est supérieur à 15 °, comme déterminé à l'aide de la jauge de pente.

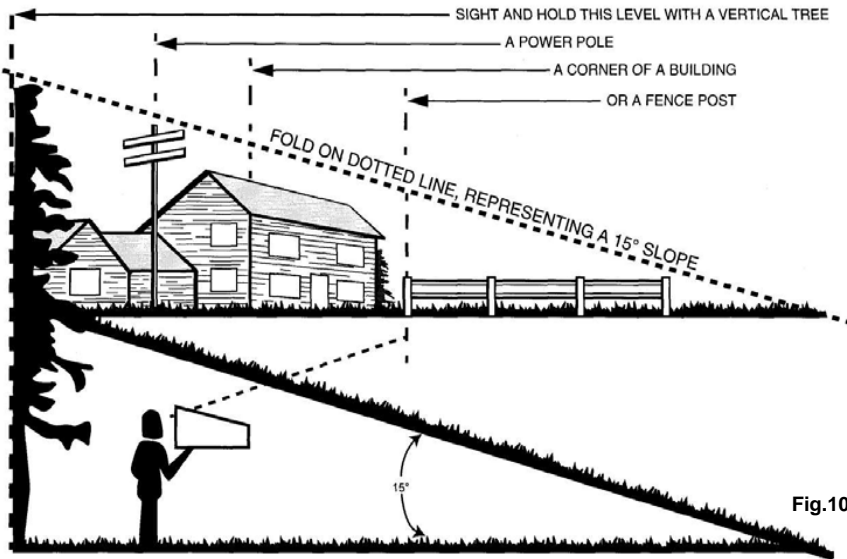


Fig.10

- Ne tondez pas l'herbe mouillée ou humide. Une semelle instable peut provoquer un glissement.

AVERTISSEMENT: ne tondez pas une pente dont l'angle est supérieur à 15 ° (une élévation d'environ 2 1/2 '[0.75 m] tous les 10' [3 m]). Tondez sur la face d'une pente, et jamais de haut en bas.

CONSEILS SUR LA TONTE

REMARQUE: Une lame tranchante améliorera considérablement les performances de la tondeuse, en particulier lors de la coupe de hautes herbes. Assurez-vous de vérifier la lame et de l'aiguiser au moins une fois par an, comme décrit dans la section Maintenance.

- Vérifiez que la pelouse est exempte de pierres, de bâtons, de fils et d'autres objets qui pourraient endommager les lames ou le moteur. Ces objets pourraient être projetés accidentellement par la tondeuse dans n'importe quelle direction et pourraient causer des blessures graves à l'utilisateur et à d'autres personnes. Pour éviter les chocs électriques, n'utilisez pas la tondeuse dans des conditions humides ou mouillées.
- Ne tondez pas en cercles. Déplacez d'avant en arrière sur la pelouse.
- Lorsque vous coupez de l'herbe épaisse, réduisez la vitesse de marche afin de permettre une coupe plus efficace et une bonne évacuation des tontes.
- Pour une pelouse saine, coupez toujours un tiers ou moins de la longueur totale de l'herbe. La pelouse moyenne devrait être d'environ 1" à 2" (3.8 à 5 cm) de long pendant les mois frais et entre 2" à 3" (5 cm à 8.3 cm) de long pendant les mois chauds.

CONSEILS SUR LE PAILLAGE

REMARQUE: Inspectez la zone d'utilisation de la tondeuse et enlevez toutes les pierres, batons, fils, os et autres débris qui pourraient être jetés par la lame rotative.

- Relâchez l'interrupteur pour éteindre la tondeuse lorsque vous traversez une zone de gravier (des pierres peuvent être projetées par la lame).
- Réglez la tondeuse à la hauteur de coupe la plus élevée lorsque vous tondez sur un sol inégal ou dans des herbes hautes.
- Pour rendre le paillage efficace, ne coupez pas l'herbe mouillée, car elle a tendance à adhérer à la face inférieure du plateau, empêchant un paillage approprié des tontes de gazon. L'herbe nouvelle ou épaisse peut nécessiter une coupe plus étroite. La vitesse au sol doit être adaptée à l'état de la pelouse. Si la tonte a été retardée et que l'herbe a pu pousser plus de 4 "(10 cm), tondez la pelouse deux fois afin de réduire la hauteur de l'herbe à un maximum de 3" (8.3 cm).
- Marchez à un rythme stable. Superposez les rangées de coupe. Ne laissez pas l'herbe devenir trop haute. Si l'herbe devient trop longue, commencez à la position de coupe la plus élevée et descendez jusqu'à la hauteur de coupe souhaitée.

AVERTISSEMENT: Si vous heurtez un objet étranger, arrêtez le moteur et retirez la batterie. Inspectez soigneusement la tondeuse pour tout dommage. Réparez tout dommage avant l'utilisation. Des vibrations excessives de la tondeuse pendant le fonctionnement indiquent des dommages. Inspectez soigneusement la tondeuse et réparez tout dommage avant d'utiliser la tondeuse.

VIDANGE DU SAC À HERBE (Voir la figure 11)

- Arrêtez la tondeuse, laissez les lames s'arrêter complètement et retirez la batterie.
- Soulevez le couvercle de la goulotte arrière.
- Soulevez le sac à herbe par sa poignée pour le retirer de la tondeuse.
- Videz les débris de coupure.
- Soulevez le couvercle de la goulotte arrière et réinstallez le sac à herbe comme décrit susmentionné dans ce manuel.

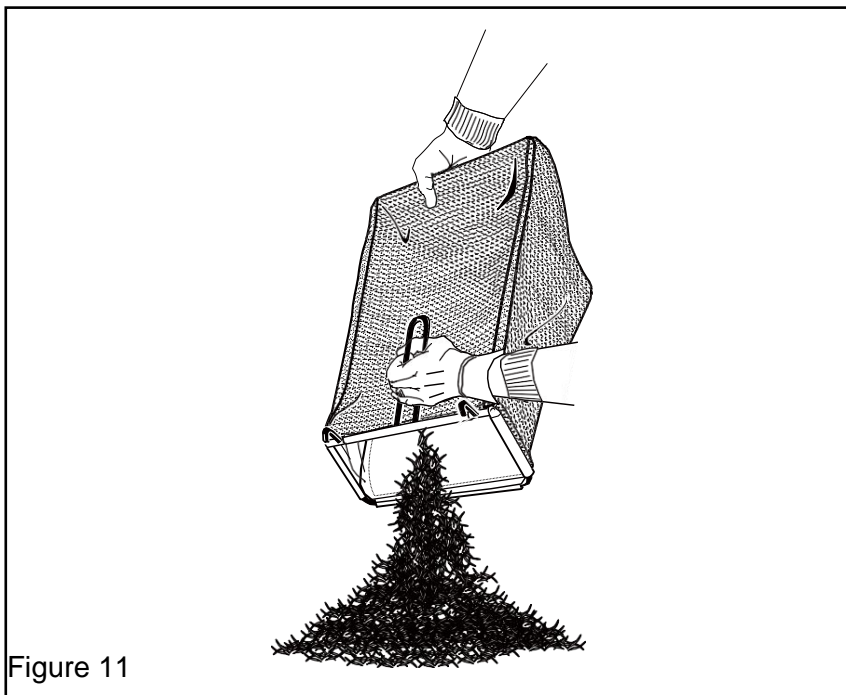


Figure 11

En utilisant comme décharge latérale

Vous devez fermer le couvercle arrière avec l'adaptateur de mulching afin d'utiliser la décharge latérale.

MAINTENANCE

NETTOYAGE DE LA TONDEUSE

AVERTISSEMENT: Afin de réduire le risque de choc électrique, n'exposez pas la tondeuse à l'eau. Le dessous du carter de tondeuse doit être nettoyé après chaque utilisation, car les tontes de gazon, les feuilles, la saleté et les autres débris s'accumuleront, ce qui pourra causer la rouille et la corrosion.

Retirez toute accumulation d'herbes et de feuilles sur ou autour du couvercle du moteur (n'utilisez pas d'eau). Essuyez de temps en temps la tondeuse à l'aide d'un chiffon sec. Si des débris s'accumulent sur le dessous de la tondeuse au cours de l'utilisation, arrêtez le moteur, débranchez-le de la batterie, puis inclinez la tondeuse vers l'avant ou sur le côté, et raclez-la à l'aide d'un outil approprié.

STOCKAGE DE LA TONDEUSE

Respectez les étapes suivantes afin de préparer la tondeuse à gazon pour le stockage.

- Nettoyez la tondeuse comme décrit dans la section précédente.
- Inspectez la lame et remplacez-la ou affûtez-la si nécessaire (reportez-vous à la section Maintenance).
- Lubrifiez la tondeuse.
- Rangez la tondeuse dans un endroit sec et propre. Ne la stockez pas à côté de matériaux corrosifs, tels que les engrais ou le sel gemme.
- Rangez la tondeuse à l'intérieur, dans un endroit frais et sec, hors de la portée des enfants. Ne couvrez pas la tondeuse à gazon avec une feuille de plastique solide. Les revêtements en plastique garderont l'humidité autour de la tondeuse, ce qui provoquera de la rouille et de la corrosion.

La poignée peut être complètement repliée pour le stockage. (voir la figure 2)

- Soulevez les écrous sur les côtés de la poignée supérieure pour déverrouiller et plier la poignée supérieure vers le bas.
- Soulevez les attaches à libération rapide sur le côté de la poignée inférieure pour le déverrouillage, tirez vers l'extérieur de chaque côté de la poignée inférieure et soulevez les côtés de la poignée inférieure au-delà des bords des supports d'assemblage de la poignée. Pliez la poignée inférieure vers l'avant. Ne pas incliner ou plier le cordon d'alimentation.
- Retirez la batterie et stockez-la si possible dans un endroit frais et sec. Chargez la batterie toutes les deux semaines lorsqu'elle n'est pas utilisée afin d'augmenter sa durée de vie.
- Retirez la batterie et stockez-la dans un endroit sûr, hors de la portée des enfants. Le retrait de la batterie n'est pas nécessaire pour le stockage.

AVERTISSEMENT: Cette batterie doit être chargée lorsqu'elle est stockée pour maintenir sa durée de vie.

SERVICE

- Lors de la maintenance de la tondeuse, utilisez uniquement des pièces de rechange disponibles auprès du fabricant. Afin d'obtenir des pièces de rechange, appelez la ligne d'assistance gratuite au 1-800-791-9458. L'utilisation de pièces non conformes aux spécifications de l'appareil d'origine peut causer des performances incorrectes et mettre en danger la sécurité.
- Avant le nettoyage, la réparation ou l'inspection, vérifiez que la lame et toutes les pièces mobiles sont complètement arrêtées et retirez la batterie. Retirez la batterie lorsque vous effectuez des réglages ou lorsque l'une des quatre roues doit être soulevée du sol.
- Gardez les poignées sèches, propres et exemptes d'huile et de graisse.
- Afin de réduire les risques d'incendie, veuillez garder le moteur exempt d'herbe, de feuilles et de débris.
- Veuillez vérifier fréquemment le serrage des boulons d'assemblage de la lame et du moteur. Inspectez visuellement la lame pour détecter tout dommage (par exemple, tordu, fissuré ou usé).
- Pour des performances optimales et sûres, veuillez entretenir la tondeuse avec soin. Gardez la lame de la tondeuse affûtée et propre. Les lames de la tondeuse sont tranchantes et peuvent couper. Enveloppez les lames ou portez des gants et faites preuve de prudence lors de la maintenance.
- Gardez tous les écrous, boulons et vis bien serrés afin de vous assurer que l'équipement est en bon état de fonctionnement.
- Ne modifiez jamais les dispositifs de sécurité. Vérifiez régulièrement leur bon fonctionnement.
- Si ce produit a heurté un corps étranger, arrêtez le moteur. Inspectez soigneusement la tondeuse. Réparez tout dommage avant la mise en marche.
- Les composants du sac à herbe et le bouclier anti-traînée sont sujets à l'usure et aux dommages, ce qui pourrait exposer les pièces mobiles ou causer la projection d'objets. Pour des raisons de sécurité, vérifiez fréquemment ces composants et remplacez immédiatement toute pièce présentant des signes d'usure ou fissurée ou cassée. Utilisez uniquement les pièces du fabricant d'appareil d'origine (OEM), comme indiqué dans ce manuel.
- Lorsque la tondeuse n'est pas utilisée, stockez-la à l'intérieur dans un endroit sec et hors de portée des enfants.

AVERTISSEMENT: TOUJOURS ENLEVER LA BATTERIE LORS DE LA MAINTENANCE OU DU TRANSPORT DE LA TONDEUSE.

ÉLIMINATION CORRECTE DE LA BATTERIE POUR L'ENVIRONNEMENT

Les batteries utilisées dans le bloc-batterie de cette tondeuse sont faites en matériau toxique et corrosif suivant: LITHIUM-ION.

AVERTISSEMENT: Les matériaux toxiques doivent être éliminés d'une manière spécifiée afin d'éviter la contamination de l'environnement. Avant de jeter les batteries au lithium-ion endommagées ou usées, veuillez contacter votre agence locale d'élimination des déchets afin d'obtenir des informations et des instructions spécifiques. Envoyez les batteries à un centre local de recyclage et / ou d'élimination autorisé pour l'élimination. Si la batterie se fissure ou se casse, ou en cas de fuite, ne la rechargez pas et ne l'utilisez pas. Jetez-la et remplacez-la par une nouvelle batterie. **N'ESSAYEZ PAS LA RÉPARATION!**

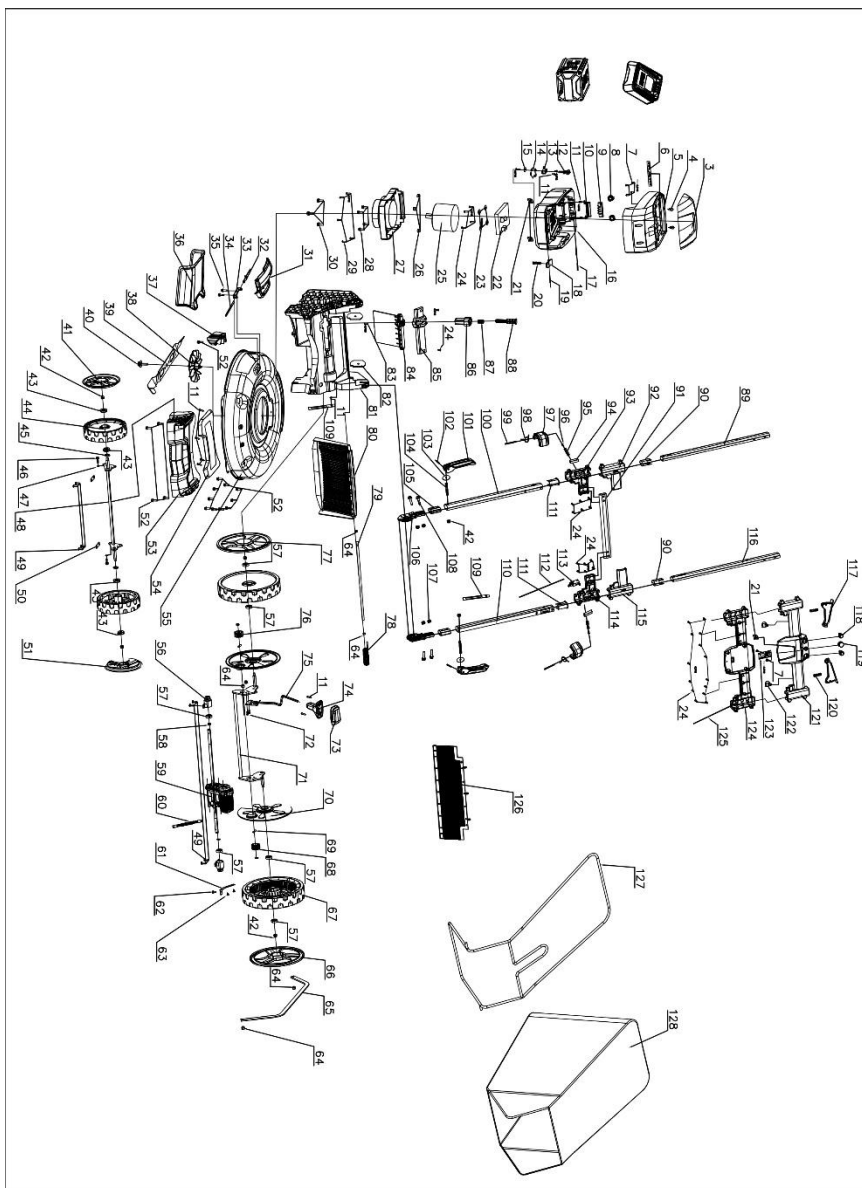
Veuillez respecter ces instructions afin d'éviter les blessures et les risques d'incendie, d'explosion ou de choc électrique et d'éviter les dommages à l'environnement:

- Couvrez les bornes de la batterie avec du ruban adhésif résistant.
- N'essayez pas de retirer ou de détruire n'importe quel composant de la batterie.
- N'essayez pas d'ouvrir le bloc-batterie.
- En cas de fuite, les électrolytes libérés sont corrosifs et toxiques. Ne pas laisser la solution entrer dans les yeux ou sur la peau et ne pas l'avaler.
- Ne pas placer les batteries dans les ordures ménagères ordinaires.
- NE PAS incinérer les batteries.
- NE placez PAS les batteries dans le flux des déchets solides des municipalités.
- Jetez les batteries dans un centre de recyclage ou d'élimination agréé.

DÉPANNAGE

PROBLÈME	CAUSE POSSIBLE	SOLUTION
La tondeuse ne démarre pas.	La batterie n'est pas chargée.	Chargez la batterie.
	L'interrupteur est en panne.	Remplacez l'interrupteur.
	L'herbe s'est coincée à la lame.	Retirez la batterie, vérifiez s'il y a des embarras sous le pont.
	La batterie n'est pas fixée au moteur.	Vérifiez la connexion entre le connecteur du moteur et la batterie.
	La batterie peut nécessiter une réparation ou un remplacement.	Appelez le service à la clientèle au 1-800-791-9458 ou remplacez la batterie.
	La poignée supérieure n'est pas installée.	Tirez la poignée supérieure en place.
La tondeuse coupe l'herbe de manière inégale.	La pelouse est rugueuse ou inégale.	Vérifiez la zone de tonte.
	La hauteur de coupe n'est pas réglée correctement.	Déplacez les roues à un réglage plus élevé.
La tondeuse ne paille pas correctement.	Les coupures de gazon humide collent au dessous du pont.	Attendez jusqu'à ce que le gazon soit sec avant la tonte
	La décharge latérale est manquante.	Installez la décharge latérale.
La tondeuse est difficile à pousser.	L'herbe est trop haute ou la hauteur de coupe est trop basse.	Augmentez la hauteur de coupe.
	L'arrière du carter de coupe et la lame traînent dans les herbes épaisses	Videz les débris d'herbe du sac à herbe.
La tondeuse est excessivement bruyante et vibre.	L'arbre du moteur est plié.	Arrêtez le moteur et vérifiez qu'il n'est pas endommagé.
	La lame est déséquilibrée.	Réparez avant le redémarrage. Si les vibrations persistent, veuillez appeler le service à la clientèle au 1-800-791-9458.

VUE ÉCLATÉE ET LISTE DES PIÈCES



Item	Stock#	Description	Qty
1	202470012	ensemble de chargeur	1
2	202460006	bloc-batterie	1
3	203010933	couvercle supérieur du boîtier de bloc-batterie	1
4	302060041	clapet anti-retour	2
5	203010880A	couvercle central du boîtier de bloc-batterie	1
6	301120010	lumière	1
7	303010237	vis ST4.2x10	6
8	303130355	ressort de bloc-batterie	2
9	203010871A	porte-cartouche	1
10	203010858A	plaque de porte-cartouche chargeur	1
11	303010026	Vis ST4.2x12	11
12	203021264	clé de sécurité	1
13	203010783	couvercle supérieur de l'interrupteur	1
14	301100055	Interrupteur de sécurité pour enfant	1
15	303043077	rondelle plate	1
16	203021359	couvercle du bloc-batterie	1
17	303100086A	arbre du couvercle du bloc-batterie	2
18	203021341	Interrupteur à poussoir autobloquant	1
19	303160814	arbre de commutation autobloquant du bloc-batterie	1
20	303130356	ressort d'interrupteur autobloquant	1
21	203020047	serre-câble	3
22	303240661	commande autopropulsée	1
23	303042104	rondelle plate	4
24	303010226	Vis ST4x16	33
25	202040068A	moteur 1200W	1
26	303030036	contre-écrou hexagonal M8	3
27	203021343	base de moteur	1
28	303020635	boulon M6x12	4
29	303010028	vis ST4x18	5
30	303020649	boulon M8x20	3
31	203050381B	couvercle de décharge latérale	1
32	303130379	ressort de torsion	1

Item	Stock#	Description	Qty
33	303160833	support de décharge latérale	1
34	303160410A	goupille à ressort de torsion	1
35	303020468	boulon hexagonal M6x10mm	2
36	203050382A	goulotte d'éjection latérale	1
37	203021335A	défecteur du vent	1
38	203021337	ventilateur du moteur	1
39	303240662A	lame de 21"	1
40	203021355	couvercle en nylon du boulon de lame	1
41	203050988	couvercle de la roue avant droite de 8"	1
42	303030077	contre-écrou hexagonal M8	6
43	303100065	roulement de roue	4
44	302090173	roue arrière	2
45	303043039	rondelle plate	2
46	303020561	boulon M6x16	2
47	303041009	lave-linge à ressort	2
48	303181190A	couplage d'essieu avant	1
49	303010216	vis ST6.3x20	8
50	303071420	pince de roue	2
51	203050989	couvercle de la roue avant gauche	1
52	303010332	vis ST6.3x20	15
53	203050399C	cache avant	1
54	203051014	plaque de couverture avant	1
55	303181125A	pont	1
56	203021336	couvercle de la roue	2
57	303100002	roulement à billes à gorge profonde	6
58	303050007	anneau d'arbre	4
59	301030103	roues hautes automoteurs	1
60	306040044	ligne de connexion	1
61	303071600	fixation des plaques	1
62	303020562	boulon M6x10	1
63	303010108	vis ST4.8x16	2
64	303030032	contre-écrou hexagonal M6	6

Item	Stock#	Description	Qty
65	303181426	bielle	1
66	203050991	couverture roue arrière gauche	1
67	203040021 A	roue arrière 11.5"	2
68	303160471 A	engrenage mobile L	1
69	303123017 A	goupille cylindrique	2
70	203010806 A	couvercle anti-poussière	2
71	303181191 A	soudure d'axe de roue arrière	1
72	303020339	boulon hexagonal M6x14	2
73	203050936	réglage de la poignée couvercle supérieur	1
74	203050937	réglage de la poignée couvercle inférieur	1
75	303210038	barre de poignée rivet	1
76	303160470 A	engrenage mobile R	1
77	203050990	couvercle de la roue avant droite 11.5"	1
78	203050562	ressort de torsion du couvercle arrière	1
79	303081150	Arbre	1
80	203050541	plaque arrière	1
81	203050993	siège arrière	1
82	303160974	bloc de dent en spirale	2
83	303010161	vis	1
84	203050994	plaque défectrice d'herbe	1
85	203050995	couvercle d'herbe	1
86	203010962	ensemble de tiges cyclotron	1
87	303130385	ressort cyclotron	1
88	203021500	tige cyclotron	1
89	303071597	barre de maintien supérieure droite	1
90	203010869	pièces résistantes aux rayures	4
91	303071390	barre de maintien	1
92	203050530	couvercle supérieur droit des barres de maintien	1
93	203050529	couvercle inférieur droit des barres de maintien	1
94	203050533	Tampon de pression	2
95	303130391	printemps	2
96	203021248	bouchon en plastique	2

Item	Stock#	Description	Qty
97	203010868	pince autobloquante	2
98	303130358	ressort de serrage autobloquant	2
99	303100087	arbre de serrage autobloquant	2
100	303071596	barre de maintien droite inférieure	1
101	203021348	poignée de déverrouillage pliable	2
102	303123030	goupille cylindrique	2
103	303042181	rondelle plate	2
104	303160611 B	vis	2
105	203050534	douille à encastrement rotatif	2
106	303160965	encastrement rotatif	2
107	303030087	contre-écrou hexagonal M6	4
108	303020503	boulon hexagonal extérieur	4
109	306010057	serre-câble à revêtement PVC	2
110	303071595	barre de maintien gauche inférieure	1
111	203010870	pièces résistantes aux rayures	2
112	306040039	fil d'interrupteur de poulie	1
113	301100058	fil d'interrupteur	1
114	203050532	couvercle inférieur gauche des barres de maintien	1
115	203050531	couvercle supérieur gauche des barres de maintien	1
116	303071598	barre de maintien supérieure gauche	1
117	203021346	trigger interrupteur	2
118	301100057	Interrupteur	2
119	203021366	bouton de l'interrupteur	1
120	303130363	ressort de trigger interrupteur	2
121	203050985	couvercle supérieur du panneau	1
122	301100056	bouton d'interrupteur	2
123	301011023	panneau PC	1
124	203050528	couvercle inférieur du panneau	1
125	306040035	ligne de connexion	1
126	302080050 B	barrière plastique	1
127	303081356	support de collecte d'herbe	1
128	302120014	sac de collecte	1

GARANTIE LIMITÉE DE TROIS 3 ANS

PowerSmart® s'engage à offrir la garantie pour nos produits. Notre garantie est conforme à notre engagement et notre dévouement à la qualité.

GARANTIE LIMITÉE DE TROIS (3) ANS DES PRODUITS POWERSMART POUR USAGE DOMESTIQUE.

PowerSmart (le «vendeur») garantit uniquement à l'acheteur d'origine que tous les outils électriques PowerSmart seront exempts de tout défaut de matériau ou de fabrication pendant une période de trois (3) ans à compter de la date d'achat. Quatre-vingt-dix (90) jours pour tous les produits PowerSmart, si l'outil est utilisé pour usage professionnel ou commercial.

LA SEULE OBLIGATION DU VENDEUR ET VOTRE RECOURS EXCLUSIF en vertu de cette garantie limitée et, dans la mesure permise par la loi, de toute garantie ou condition prévue par la loi, sera la réparation ou le remplacement de pièces, sans frais, présentant des défauts de matériaux ou de fabrication et qui n'ont pas fait l'objet d'une mauvaise utilisation, de manipulation avec négligence ou de mauvaise réparation par des personnes autres que le Vendeur ou un centre de service agréé. Pour effectuer une réclamation en vertu de la présente garantie limitée, vous devez retourner le produit complet de l'outil électrique; transport prépayé, vers PowerSmart, y compris une copie lisible du reçu original sur lequel sont indiqués la date d'achat (mois et année) et le nom de l'entreprise achetée.

CETTE GARANTIE LIMITÉE NE S'APPLIQUE À AUCUN ACCESSOIRE INCLUS AVEC L'OUTIL TEL QUE LES LAMES DE SCIE CIRCULAIRE ET AUTRES ÉLÉMENTS CONNEXES OU À TOUTES LES PIÈCES DE REMPLACEMENT ÉNUMÉRÉES DANS LE CADRE DE LA MAINTENANCE.

TOUTE GARANTIE IMPLICITE SERA LIMITÉE À TROIS ANS À PARTIR DE LA DATE D'ACHAT. CERTAINS ÉTATS AUX ÉTATS-UNIS ET CERTAINES PROVINCES CANADIENNES NE PERMETTENT PAS DE LIMITER LA DURÉE D'UNE GARANTIE IMPLICITE, PAR CONSÉQUENT. LES RESTRICTIONS SUSMENTIONNÉES PEUVENT NE PAS S'APPLIQUER À VOUS.

LE VENDEUR N'EST EN AUCUN CAS TENU RESPONSABLE DE DOMMAGES DIRECTS OU INDIRECTS (Y COMPRIS, MAIS SANS S'Y LIMITER LA RESPONSABILITÉ RELATIVE À UNE PERTE DE PROFITS) DÉCOULANT DE LA VENTE OU DE L'UTILISATION DE CE PRODUIT. CERTAINS ÉTATS AUX ÉTATS-UNIS ET CERTAINES PROVINCES CANADIENNES NE PERMETTENT PAS L'EXCLUSION OU LA RESTRICTION DES DOMMAGES DIRECTS OU INDIRECTS, PAR CONSÉQUENT, LA RESTRICTION SUSMENTIONNÉE PEUT NE PAS S'APPLIQUER À VOUS.

CETTE GARANTIE LIMITÉE VOUS OCTROIE DES DROITS SPÉCIFIQUES ET VOUS POUVEZ ÉGALEMENT JOUIR D'AUTRES DROITS QUI PEUVENT VARIER D'UN ÉTAT À L'AUTRE AUX ÉTATS-UNIS OU D'UNE PROVINCE À L'AUTRE AU CANADA ET D'UN PAYS À L'AUTRE.

Pour toute question / commentaire, ou si vous avez besoin d'assistance technique ou de pièces de rechange, veuillez appeler le service à la clientèle au: 1-800-791-9458 (de 9 h à 17 h EST)
E-mail: support@amerisuninc.com

VEUILLEZ CONSERVER VOS REÇUS AVEC SOIN. CETTE GARANTIE EST INVALIDE SANS EUX.

CONTENIDO

Contenido	60
Datos técnicos	60
Información de seguridad	61
Símbolos.....	67
Conozca su cortadora de césped	69
Instrucción de montaje.....	70
Manejo de su cortadora de césped.....	75
Mantenimiento.....	81
Servicio	82
Eliminación de baterías respetuosa con el medio ambiente	83
Resolución de problemas	84
Vista despiezada y lista de repuestos	85
Declaración de garantía.....	88

DATOS TÉCNICOS

CORTADORA DE CÉSPED

INALÁMBRICA DE 22" 80V

Tipo de batería:

Tiempo de carga:

Ancho de corte:

Ajustes de altura:

Capacidad del recogedor de hierba:

Rueda:

Peso (con batería):

Modelo # PS76822SRB

Iones de litio de 80 V, 6Ah

90 minutos

22 pulgadas

5 Posiciones

17.2 Gallen

Delantera: 8 pulgadas /

Trasera: 11.5 pulgadas

60 libras

INFORMACIÓN DE SEGURIDAD

REGLAS GENERALES DE SEGURIDAD

ADVERTENCIA: cuando use el cortacésped eléctrico, siempre se deben seguir las precauciones básicas de seguridad para reducir el riesgo de incendio, descarga eléctrica y lesiones personales, incluidas las siguientes:

LEA TODAS LAS INSTRUCCIONES CUIDADOSAMENTE

ADVERTENCIA: Este símbolo indica importantes instrucciones de seguridad. Si no se siguen estas instrucciones, podría poner en peligro la seguridad personal y / o la propiedad del operador y otros. Lea y comprenda todas las instrucciones de este manual antes de intentar operar el cortacésped. El incumplimiento de estas instrucciones puede provocar lesiones personales.



PELIGRO

Este cortacésped fue construido para funcionar de acuerdo con las reglas de operación segura contenidas en este manual. Al igual que con cualquier tipo de equipo motorizado, el descuido o error por parte del operador puede provocar lesiones graves. Este cortacésped puede amputar partes del cuerpo y arrojar objetos. El incumplimiento de las siguientes reglas de seguridad puede provocar lesiones graves o la muerte.

ADVERTENCIA: Siempre se deben seguir las precauciones de seguridad básicas cuando se usan el cortacésped eléctrico, para reducir el riesgo de incendio, descarga eléctrica y lesiones personales.

ADVERTENCIA: El uso de este cortacésped debe restringirse a las personas que han leído y entendido y seguirán las advertencias e instrucciones que se encuentran impresas en este manual y en el cortacésped.

- Lea cuidadosamente todas las instrucciones del cortacésped y del manual antes de intentar ensamblar y operar el cortacésped. Guarde este manual en un lugar seguro para futuras consultas y consúltelo periódicamente.
- Familiarícese con todos los controles y su correcto funcionamiento. Sepa cómo detener el cortacésped y cómo desconectar la energía en caso de emergencia.
- Para evitar el contacto con la cuchilla o lesiones causadas por un objeto arrojado, permanezca en la zona de operación detrás de las manijas y mantenga a los niños y transeúntes al menos a 100' (30 m) de distancia del cortacésped mientras está en funcionamiento. Pare el motor de inmediato si alguien ingresa al área de corte.

- Inspeccione minuciosamente el área donde se utilizará el cortacésped. Retire todas las piedras, palos, alambres, huesos, juguetes y otros objetos que la cuchilla pueda tropezar o arrojar. Los objetos lanzados pueden causar lesiones personales graves.
- Planifique su patrón de corte de tal manera que evite descargar material hacia carreteras, aceras, transeúntes, etc. No descargue material contra una pared u obstrucción. Hacerlo puede hacer que el material descargado rebote hacia el operador.
- Utilice siempre una protección ocular adecuada que cumpla con la norma ANSI Z87.1 para proteger sus ojos mientras opera o realiza cualquier ajuste o reparación. Los objetos arrojados que rebotan pueden causar lesiones oculares graves.
- Siempre use una máscara facial o una máscara contra el polvo cuando opere el cortacésped en un ambiente polvoriento.
- Vístete apropiadamente. No use ropa suelta o joyas que puedan quedar atrapadas en las partes móviles. Se recomienda el uso de guantes protectores y calzado de seguridad.
- Muchas lesiones se producen porque el cortacésped pasa por encima del pie del operador durante una caída provocada por un resbalón o un tropiezo. No opere este cortacésped con los pies descalzos o con sandalias o zapatos livianos (por ejemplo, de lona). No se aferre al cortacésped si se cae. Suelte el mango de inmediato.
- Nunca jale el cortacésped hacia usted mientras camina. Si tiene que alejar el cortacésped de una pared o de un obstáculo, mire primero hacia abajo y hacia atrás para evitar tropezar, y luego siga estos pasos:
 - Aléjese del cortacésped para extender completamente los brazos.
 - Asegúrese de estar bien equilibrado.
 - Jale el cortacésped hacia atrás lentamente.
- No utilice el cortacésped para ningún trabajo, excepto para el que está destinado. No fuerce el cortacésped.
- No opere el cortacésped bajo la influencia del alcohol o las drogas.
- Manténgase alerta: no opere el cortacésped cuando esté cansado. Presta atención a lo que estás haciendo. Usa el sentido común.
- No coloque las manos o los pies cerca de partes giratorias o debajo de la plataforma de corte. El contacto con la cuchilla puede amputar manos y pies.
- No intente ajustar las ruedas o la altura de corte mientras el motor está funcionando.
- Evitar ambientes peligrosos. No opere el cortacésped bajo la lluvia o en césped mojado o húmedo.
- Corte solo a la luz del día o con buena luz artificial. No apresure un trabajo de corte.
- Pare la cuchilla cuando cruce caminos de grava, pasarelas o caminos.
- Si el cortacésped comienza a vibrar excesivamente, pare el motor, retire la batería y verifique la causa de inmediato. La vibración es generalmente una señal de que el cortacésped no funciona correctamente o necesita reparación.

- Pare el motor y espere hasta que la cuchilla se detenga por completo antes de quitar el recogedor de hierba o desatascar el conducto. La cuchilla de corte continuará girando durante unos segundos después de que se apague el motor. No coloque ninguna parte de su cuerpo en el área de la cuchilla hasta que esté seguro de que la cuchilla ha dejado de girar.
- Nunca opere el cortacésped sin una protección adecuada para el camino, una cubierta de descarga, un recolector de césped, un interruptor de control u otro dispositivo de seguridad en su lugar y funcionando. No opere el cortacésped con dispositivos de seguridad dañados. Hacerlo puede provocar lesiones.
- No fuerce el cortacésped. Hará el trabajo mejor y más seguro a la velocidad para la que fue diseñado.
- Almacene el cortacésped inactivo en el interior. Cuando no esté en uso, el cortacésped debe almacenarse en un lugar seco, de búsqueda y fuera del alcance de los niños.
- Mantenga el cortacésped. Mantenga los bordes cortantes afilados y limpios para garantizar el mejor rendimiento y seguridad.
- Si el cortacésped golpea objetos extraños, siga estos pasos:
 - Pare el cortacésped, suelte el interruptor.
 - Retire la batería.
 - Inspeccione por daños.
- Repare cualquier daño antes de reiniciar y operar el cortacésped.
- No cargue el cortacésped bajo la lluvia o en un lugar húmedo.
- Retire o desconecte la batería antes de reparar, limpiar o retirar material del cortacésped.
- Inspeccione periódicamente el cable del cortacésped y, si está dañado, haga que lo reparen en un centro de servicio autorizado.
- Utilice únicamente cuchillas de repuesto idénticas.
- Almacene en el interior y no lo exponga a la lluvia o al agua, evite la luz solar directa.

SEGURIDAD INFANTIL

Pueden ocurrir accidentes trágicos si el operador no es consciente de la presencia de niños.

- Mantenga a los niños fuera del área de corte y bajo el cuidado vigilante de un adulto responsable.
- No permita que niños menores de 14 años operen este cortacésped. Los niños mayores de 14 años deben leer y comprender las instrucciones de funcionamiento y las reglas de seguridad de este manual, y deben ser entrenados y supervisados por sus padres.
- Manténgase alerta y apague el cortacésped si un niño o cualquier otra persona ingresa al área de corte.

- Mire hacia atrás y hacia abajo en busca de niños pequeños antes y mientras se mueve hacia atrás.
- Tenga mucho cuidado al acercarse a esquinas ciegas, puertas, arbustos, árboles u otros objetos que puedan oscurecer su visión de un niño que puede correr hacia el camino del cortacésped.

BATERÍA & CARGADOR

PRECAUCIÓN: USE SÓLO BATERÍAS DE REEMPLAZO APROBADAS POR POWERSMART, OTRAS BATERÍAS PUEDEN CAUSAR LESIONES O DAÑOS A LA SEGADORA. Usar con la batería POWERSMART 40V.

REGLAS DE SEGURIDAD DE LA BATERÍA

- No es necesario enchufar las herramientas de batería a una toma de corriente; por lo tanto, siempre están en condiciones de funcionamiento. Tenga en cuenta los posibles peligros cuando no use la herramienta de batería o cuando cambie los accesorios. Seguir esta regla reducirá el riesgo de descarga eléctrica, incendio o lesiones personales graves.
- No coloque herramientas de batería ni sus baterías cerca del fuego o del calor. Esto reducirá el riesgo de explosión y lesiones.
- No aplaste, deje caer ni dañe la batería. No utilice una batería o cargador que se haya caído o recibido un golpe fuerte. Una batería dañada está sujeta a explosión. Deseche de manera adecuada una batería caída o dañada inmediatamente.
- Las baterías pueden explotar en presencia de una fuente de ignición, como una luz piloto. Para reducir el riesgo de lesiones personales graves, nunca use ningún producto inalámbrico en presencia de llama abierta. Una batería explotada puede impulsar escombros y productos químicos. Si se expone, enjuague con agua inmediatamente. No cargue la herramienta de batería en un lugar húmedo o mojado. Seguir esta regla reducirá el riesgo de descarga eléctrica.
- Para obtener mejores resultados, la herramienta de la batería debe cargarse en un lugar donde la temperatura sea superior a 45 °F pero inferior a 104 °F. Para reducir el riesgo de lesiones personales graves, no almacene afuera o en vehículos.
- En condiciones extremas de uso o temperatura, pueden producirse fugas de la batería. Si el líquido entra en contacto con su piel, lávese inmediatamente con agua y jabón. Si le entra líquido en los ojos, lávelos con agua limpia durante al menos 10 minutos, luego busque atención médica inmediata. Seguir esta regla reducirá el riesgo de lesiones personales graves.
- Cuando la batería no esté en uso, manténgala alejada de otros objetos metálicos como: clips, monedas, llaves, clavos, tornillos u otros objetos metálicos pequeños que puedan conectarse de un terminal a otro. El cortocircuito de los terminales de la batería puede provocar chispas, quemaduras o incendios.
- Siempre retire la batería de su herramienta cuando esté ensamblando partes, haciendo ajustes, limpiando o cuando no esté en uso. Retirar la batería evitará un arranque accidental que podría causar lesiones personales graves.

- Retire siempre la batería antes de guardar el dispositivo. Cuando la batería esté completamente cargada, desconecte el cargador de la fuente de alimentación y retire la batería del cargador.
- Siempre use protección para los ojos con protectores laterales marcados para cumplir con ANSI Z87.1, junto con protección para los oídos. De lo contrario, podrían arrojarse objetos a los ojos y otras posibles lesiones graves.
- Mantenga la batería seca, limpia y libre de aceite y grasa. Siempre use un paño limpio cuando limpie. Nunca use líquidos de frenos, gasolina, productos a base de petróleo o solventes para limpiar la batería.
- No abra ni mutile la batería. El electrolito liberado es corrosivo y puede dañar los ojos o la piel. Puede ser tóxico si se ingiere.

CUIDADO APROPIADO PARA LA BATERÍA

Almacenamiento fuera de temporada

Para obtener la mayor duración posible de la batería, sugerimos lo siguiente:

- Retire la batería del cargador una vez que esté completamente cargada y lista para usar. Para el almacenamiento de la batería durante más de 30 días:
- Guarde la batería donde la temperatura sea inferior a 80 ° F y lejos de la humedad.
- Almacene las baterías en una condición de carga del 30% - 50%.
- Cada dos meses de almacenamiento, cargue el paquete normalmente.

REGLAS DE SEGURIDAD DEL CARGADOR

- Cargue la batería del cortacésped en un área seca protegida del clima. No exponga el cortacésped o el cargador a la lluvia. No cargue la batería en un lugar húmedo. Opere el cargador de batería a temperaturas entre 45 ° y 104 ° F. Para reducir el riesgo de descarga eléctrica, use solo el cargador proporcionado por el fabricante para cargar la batería.
- **NO ABUSE EL CABLE DE CARGA.** Nunca transporte el cargador por el cable. No desconecte el cargador del tomacorriente o del cortacésped tirando del cable del cargador.
- No use un cargador dañado. Reemplace los cables del cargador o el cargador de inmediato.
- Mantenga el cortacésped y el cargador lejos del agua, fuentes de calor (radiadores, calentadores, estufas, etc.), llamas y productos químicos.
- Asegúrese de que la batería esté asegurada en el cargador antes de comenzar la operación.
- La batería se calentará ligeramente al tacto mientras se carga. Esto es normal y no indica un problema.
- No coloque el cargador y la batería en un área de calor o frío extremo. Funcionarán mejor a temperatura ambiente normal.
- Cuando las baterías se carguen completamente, desconecte el cargador de la fuente de alimentación y retire la batería.

ADVERTENCIA: Cuando transporte o repare la unidad, retire siempre la batería.

ADVERTENCIA: Parte del polvo creado por el lijado eléctrico, el aserrado, el rectificado, la perforación y otras actividades de construcción contienen productos químicos que, según el estado de California, causan cáncer, defectos de nacimiento u otros daños reproductivos. Algunos ejemplos de estos químicos son:





- Plomo de pinturas a base de plomo,
- Sílice cristalina de ladrillos y cemento y otros productos de albañilería, y
- Arsénico y cromo de madera tratada químicamente.

El riesgo de estas exposiciones varía, según la frecuencia con la que realice este tipo de trabajo. Para reducir su exposición a estos químicos: trabaje en un área bien ventilada y trabaje con equipos de seguridad aprobados, como las máscaras contra el polvo que están especialmente diseñadas para filtrar partículas microscópicas.

SÍMBOLOS

Algunos de los siguientes símbolos pueden usarse en este producto. Por favor estudie y aprenda su significado. La interpretación adecuada de estos símbolos le permitirá operar el producto mejor y más seguro.

SÍMBOLO	NOMBRE	DESCRIPCIONES
V	Voltios	Voltaje
A	Amperios	Corriente
Hz	Hertz	Frecuencia (ciclos por segundo)
W	Vatios	Energía
min	Minutos	Tiempo
---	Corriente continua	Tipo o una característica de la corriente
n_0	Sin velocidad de carga	Velocidad racional, sin carga
/min	Por minuto	Revoluciones, golpes, velocidad superficial, órbitas, etc., por minuto
	Alerta de seguridad	Indica un peligro potencial de lesiones personales.
	Alerta de condiciones húmedas	Peligro de corte / desmembramiento de la mano. Mantenga las manos alejadas de la cuchilla giratoria.
	ADVERTENCIA	Para reducir el riesgo de lesiones, el usuario debe leer el manual de instrucciones.
	Protección para los ojos	Use protección para los ojos y los oídos. Para protección contra lesiones, use protectores auditivos y gafas de seguridad.
	Mantenga las manos y los pies alejados	Mantenga las manos y los pies alejados de la cuchilla y del área de corte.
	Sin alcance	Cortar los dedos de los pies o los dedos con una cuchilla giratoria.
	Resbalón en peligro de pendiente	Peligro de resbalones en pendientes: tenga especial cuidado al cortar en pendientes para evitar accidentes por resbalones y caídas.
	Mantenga a los espectadores alejados	Mantenga a todos los espectadores al menos a 100 pies de distancia.
	PRECAUCIÓN	Los objetos recogidos y arrojados por la cuchilla giratoria pueden causar lesiones graves.

SÍMBOLO	NOMBRE	DESCRIPCIONES
	PELIGRO	Indica una situación inminentemente peligrosa que, si no se evita, provocará la muerte o lesiones graves.
	Alerta de condiciones húmedas	No exponer a la lluvia ni utilizar en lugares húmedos.
	ADVERTENCIA	Indica una situación potencialmente peligrosa que, si no se evita, podría provocar la muerte o lesiones graves.
	PRECAUCIÓN	Indica una situación potencialmente peligrosa que, si no se evita, puede provocar lesiones leves o moderadas.

PROTECCIÓN DEL MEDIO AMBIENTE



Los productos eléctricos de desecho no deben desecharse con la basura doméstica. Por favor, recicle en las instalaciones correspondientes. Consulte con su autoridad local o minorista para obtener consejos de reciclaje.

La batería contiene material que es peligroso para usted y el medio ambiente. Debe retirarse y eliminarse por separado en una instalación que acepte baterías de iones de litio.

SERVICIO

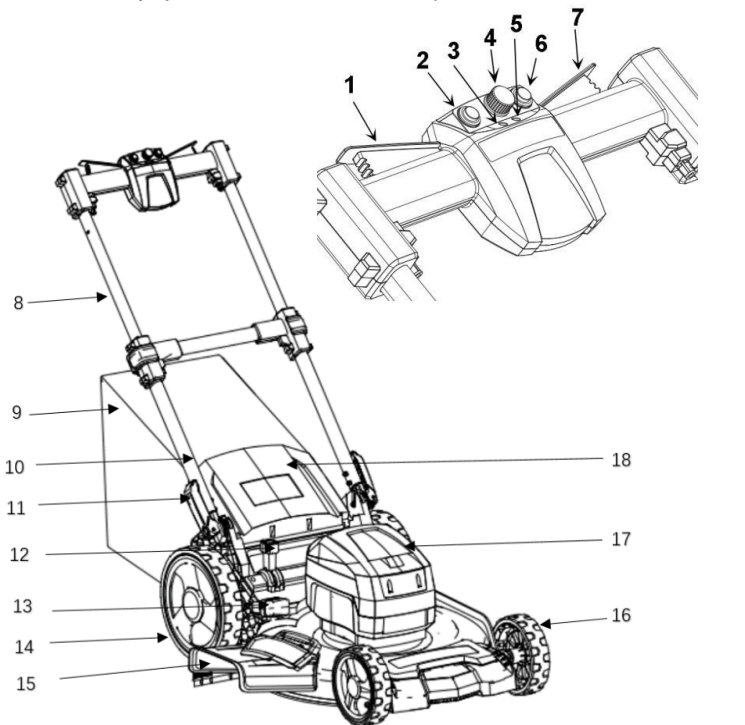
El mantenimiento requiere cuidado y conocimiento extremos y solo debe ser realizado por un técnico de servicio calificado. Para el servicio, le sugerimos que devuelva el producto al **CENTRO DE SERVICIO AUTORIZADO** más cercano para su reparación. Al realizar el mantenimiento, use solo partes de repuesto idénticas.

ADVERTENCIA: Para evitar lesiones personales graves, no intente usar este producto hasta que haya leído este Manual del uso a fondo y lo haya entendido completamente. Si no comprende las advertencias e instrucciones de este Manual del uso, no utilice este producto. Llame a la línea de ayuda gratuita 800-791-9458 para obtener ayuda.

ADVERTENCIA: La operación de cualquier herramienta eléctrica puede provocar el lanzamiento de objetos extraños a los ojos, lo que puede provocar daños oculares graves. Antes de comenzar la operación de la herramienta eléctrica, use siempre gafas de seguridad o lentes de seguridad con protecciones laterales y, cuando sea necesario, una careta completa. Recomendamos la máscara de seguridad de visión amplia para usar sobre anteojos o lentes de seguridad estándar con protectores laterales. Siempre use protección para los ojos que esté marcada para cumplir con ANSI Z87.1.

CONOZCA SU CORTADORA DE CÉSPED

.Lea este manual del operador y las reglas de seguridad antes de operar su cortadora de césped. Compare la siguiente ilustración con su cortacésped para familiarizarse con la ubicación de los distintos controles y ajustes. Guarde este manual para referencia futura.



- | | | | |
|---|--|----|--|
| 1 | Interruptor de accionamiento | 10 | Mango inferior |
| 2 | Interruptor de luz | 11 | Perilla de liberación plegable |
| 3 | Indicación de avería | 12 | Mango de control de la
descarga lateral |
| 4 | Interruptor de velocidades | 13 | Palanca de ajuste de altura
trasera |
| 5 | Indicador de batería | 14 | Rueda trasera |
| 6 | Interruptor de arranque | 15 | Conducto de descarga lateral |
| 7 | Interruptor de tractores con
motomoto | 16 | Rueda delantera |
| 8 | Mango superior | 17 | Conjunto de batería |
| 9 | Bolsa recolectora de césped | 18 | Tapa de descarga trasera |

INSTRUCCIONES DE MONTAJE

Desembalaje

- Retire cuidadosamente el producto y los accesorios de la caja. Asegúrese de que se incluyen todos los artículos enumerados en la lista de embalaje.
- Inspeccione el producto cuidadosamente para asegurarse de que no se haya producido ninguna rotura o daño durante el envío.
- No deseche el material de embalaje hasta que haya inspeccionado y operado satisfactoriamente el producto.
- Si alguna pieza está dañada o falta, llame al 1-800-791-9458 para obtener ayuda.

LISTA DE EMBALAJE

- Cortacésped
- Bolsa recolectora de césped
- Descarga lateral
- Llave de seguridad
- Paquete de baterías
- Cargador
- Manual del propietario

Advertencia: si alguna pieza está dañada o perdida, haga funcionar el producto antes de cambiarla. La utilización de piezas de repuesto dañadas o perdidas puede causar graves lesiones corporales.

Advertencia: no intente modificar este producto o crear un anexo no recomendado para este producto. Todo cambio o modificación de esa índole sería un uso indebido que podría dar lugar a situaciones peligrosas y a posibles lesiones corporales graves.

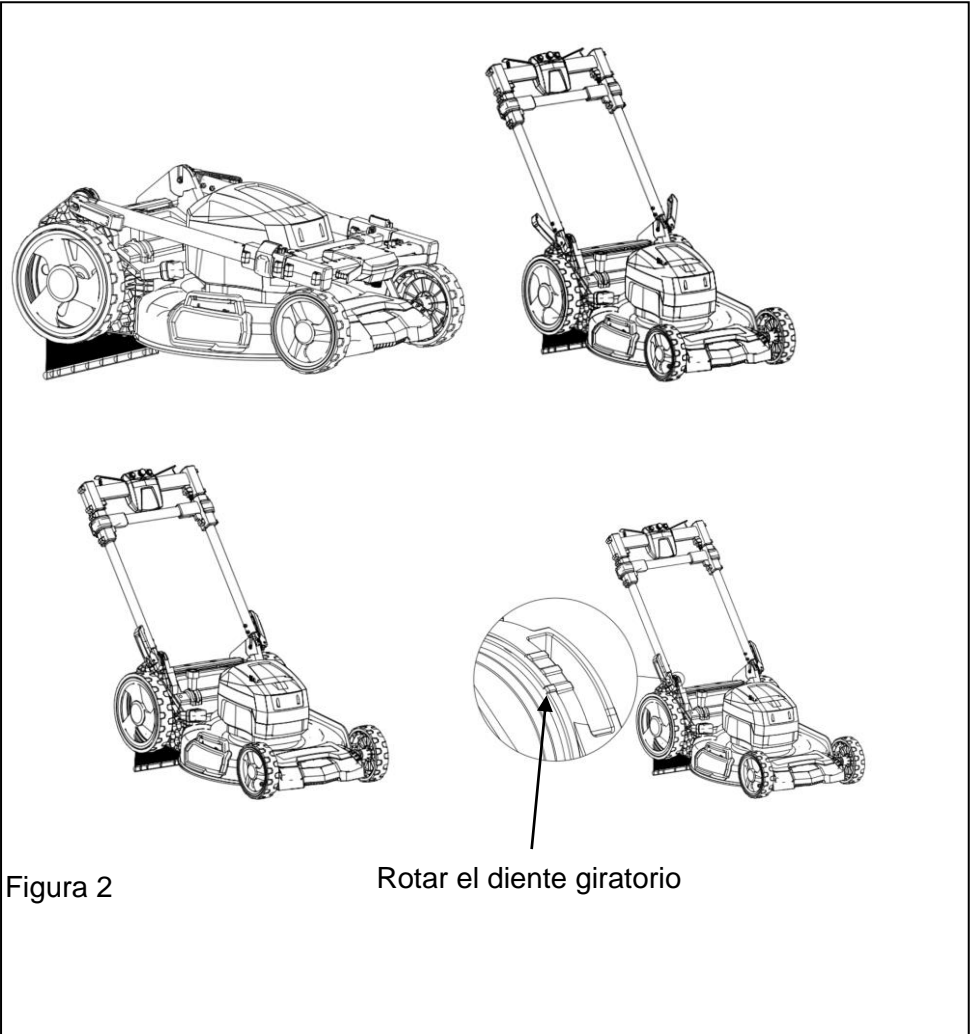
Advertencia: no inserte la batería hasta que el montaje esté terminado y listo para cortar el césped. El incumplimiento puede dar lugar a una activación accidental y a posibles lesiones corporales graves.

Advertencia: a fin de evitar que una activación accidental pueda causar lesiones corporales graves, al ensamblar los componentes, por favor retire siempre la batería del producto.

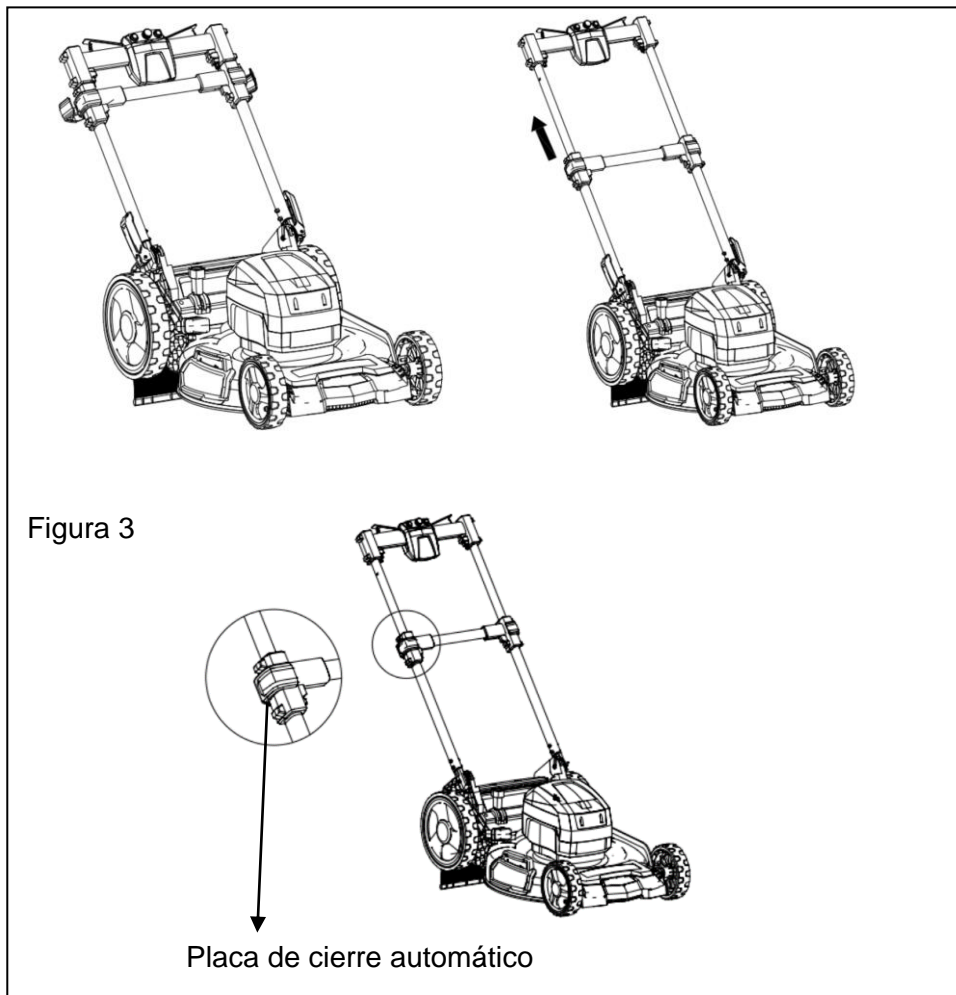
Advertencia: no operar una cortadora de césped sin un dispositivo de Seguridad y un trabajo adecuados. No se debe operar una cortadora de césped si el aparato de Seguridad está dañado. Al usar este producto, si las piezas de repuesto se dañan o se pierden, pueden causar graves lesiones personales.

COLOQUE LA MANIJA INFERIOR Y SUPERIOR (Vea la Figura 2-3)

1. Primero saque la podadora de césped de la caja.
2. Coloque el mango doblado en la posición que se muestra a continuación y apriete girando la perilla de liberación plegable en el mango inferior. Gire el bloque de dientes giratorio para ajustar la altura de la asa.



4. Suelte la placa de autobloqueo y preste atención para colocar la manija superior en su lugar. A continuación, bloquee la placa de autobloqueo. Tenga en cuenta que la placa de autobloqueo no se bloqueará si la manija superior no está colocada. Solo cuando estos elementos estén en su lugar y después de instalar el paquete de baterías con la inserción de la llave de seguridad, la unidad estará lista para nosotros.



INSTALAR LA BOLSA GRASS CATCHER (Vea la Figura 4)

Tire de la puerta de descarga trasera a una posición adecuada, luego cuelgue el receptor de hierba, y coloque la puerta de descarga trasera.

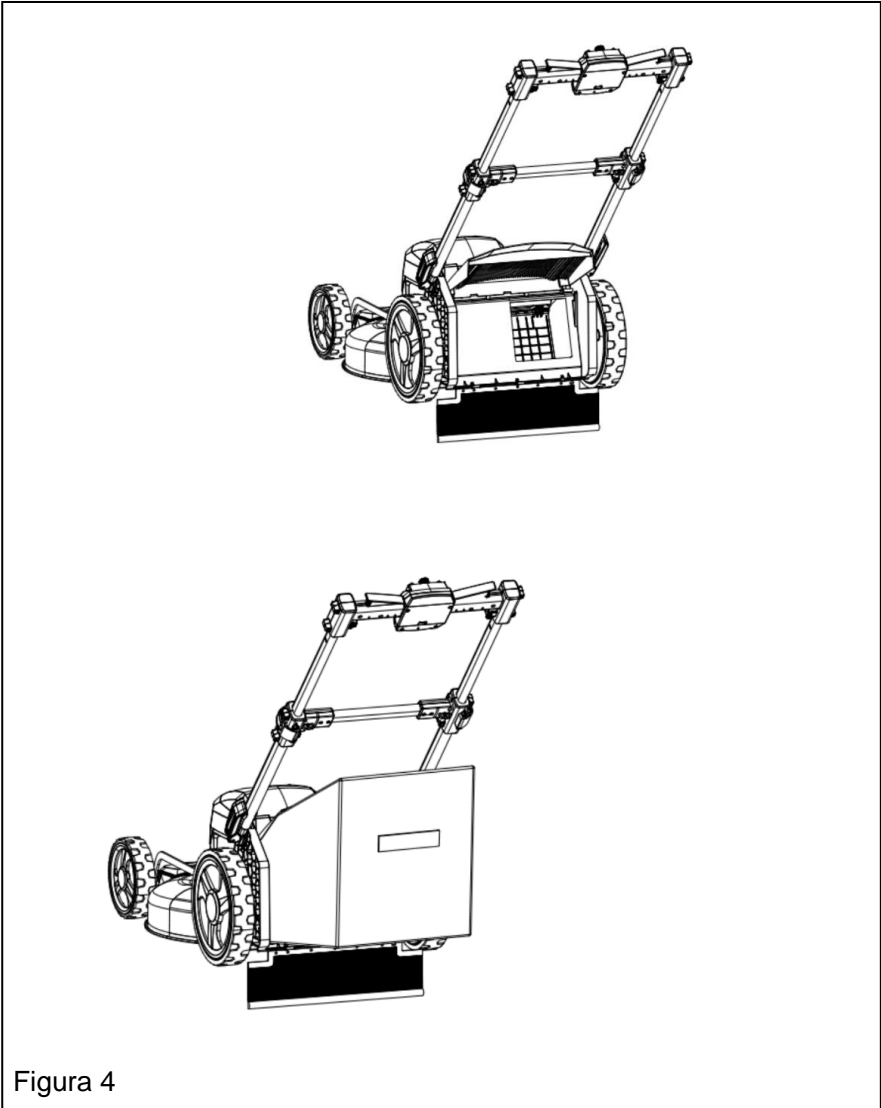


Figura 4

CONDUCTO DE DESCARGA LATERAL

- En el lado de la cortadora de césped, levante la cubierta de descarga lateral.
- Deslice dos ganchos del canal de descarga lateral debajo del pasador de bisagra en la cubierta de descarga lateral. Baje la cubierta de descarga lateral..

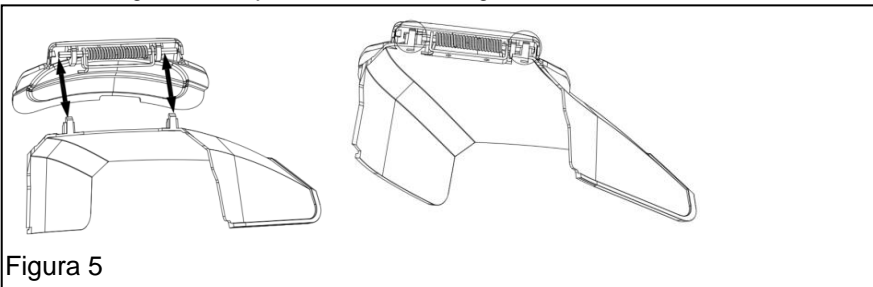


Figura 5

Precaución: No retire la cubierta de descarga lateral en ningún momento.

Por favor, tenga en cuenta que sólo cuando se utiliza como descarga lateral necesita instalar el enchufe trasero, cuando se utiliza como embolsadora trasera no necesita instalar el enchufe trasero.

PARA INSTALAR BATTERY PACK *(Consulte la Figura 6)*

- Levante y sostenga la puerta de la batería.
- Coloque la batería en el cortacésped. Alinee las costillas guiadas en la batería con ranuras en el puerto de la batería del producto.
- Asegúrese de que el pestillo situado en la parte inferior de la batería encaje en su lugar y que la batería esté completamente asentada y asegurada en el producto antes de comenzar a funcionar.
- Inserte la llave de seguridad.
- Si la máquina no se va a utilizar inmediatamente, no inserte la llave de seguridad.
- Cierre la puerta.

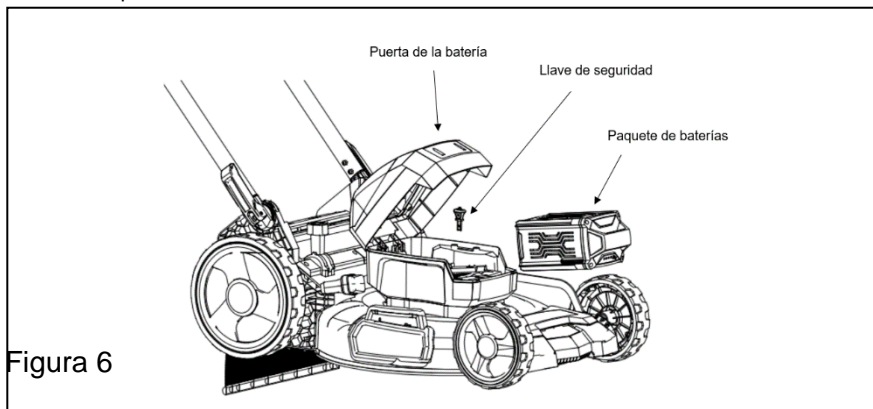


Figura 6

PARA RETIRAR EL PAQUETE DE BATERÍAS (Vea la Figura 6)

- Suelte el gatillo de corte y accione el gatillo para detener el producto.
- Retire la llave de seguridad.
- Mantenga presionado el botón del pestillo de la batería en la parte inferior del paquete de batería. Retire el paquete de batería del producto.

OPERANDO SU CORTACÉSPED

INICIO/PARADA DEL CORTACÉSPED (Véase la Figura 7)

Para iniciar el cortacésped:

- Instale la batería e inserte la llave de seguridad.
- Presione el interruptor de arranque con la mano derecha, espere hasta que se encienda el indicador de encendido, presione el interruptor de corte de césped con la mano izquierda, espere 2-3 segundos, la máquina arranca y la cuchilla comienza a girar. Simplemente suelte el interruptor de arranque y podrá comenzar a cortar el césped hacia adelante.

Para operar el cortacésped:

- Presione el interruptor de arranque, el indicador de encendido se enciende, luego presione el interruptor de avance, la cortadora de césped se mueve hacia adelante.

NOTA: Si no se realiza ninguna otra acción dentro de los 15 segundos después de presionar el interruptor de inicio, ¡presione el interruptor de inicio nuevamente!

- Cuando el interruptor de corte y el interruptor de transmisión se presionan al mismo tiempo, suelte el interruptor de transmisión, la cortadora de césped no dejará de caminar.
- Cuando el interruptor de corte y el interruptor de conducción se presionan al mismo tiempo, suelte el interruptor de corte, el cortacésped dejará de caminar.
- Cuando no se presiona el interruptor de corte, presione el interruptor de transmisión, la cortadora de césped caminará. Suelte el interruptor de conducción, el cortacésped dejará de caminar.
- Interruptor de velocidad giratorio para ajustar la velocidad necesaria.
- Cuando el ambiente esté oscuro, presione el interruptor de luz.

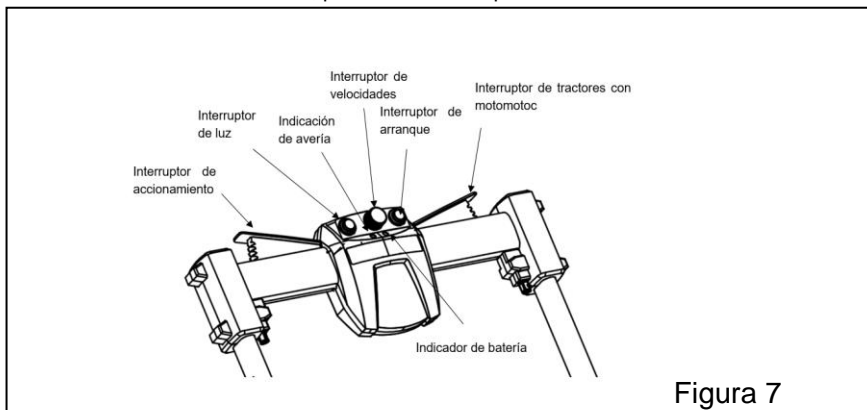


Figura 7

Para detener la podadora:

- Suelte el interruptor de corte y el interruptor de accionamiento y saque la llave de seguridad para que el cortacésped se detenga.

ARRANQUE SUAVE

Este cortacésped con batería de iones de litio está equipado con una función de "Arranque suave". Cuando se pone en marcha inicialmente, el cortacésped tardará aprox. 3 segundos para alcanzar la máxima velocidad.

Si la podadora no arranca inicialmente: Quite la batería y revise debajo de la plataforma de la podadora para asegurarse de que nada obstruya la cuchilla y que la cuchilla pueda girar libremente con la mano. Incluso una pequeña cantidad de césped al arrancar evitará que el "arranque suave" encienda la podadora.

PRECAUCIÓN: No intente anular la operación del botón de inicio.

ADVERTENCIA: El funcionamiento de cualquier cortadora de césped puede provocar que se arrojen objetos extraños a los ojos, lo que puede causar daños graves en los ojos. Siempre use anteojos de seguridad mientras opera la podadora y mientras realiza cualquier ajuste o reparación.

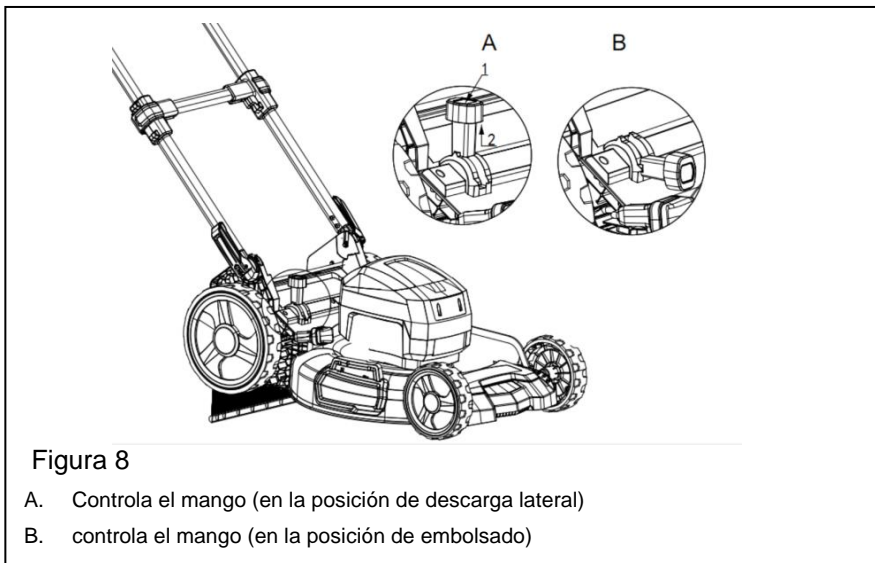
ADVERTENCIA: Asegúrese de que otras personas y mascotas permanezcan al menos a 30 m de distancia cuando el cortacésped esté en uso.

INSPECTA LA ZONA DE CORTE. Retire todas las piedras, palos, alambres, huesos y otros desechos que puedan ser arrojados por las cuchillas giratorias.

USO DE LA MANIJA DE CONTROL PARA DESCARGA LATERAL

El mango de control le permite recoger o descargar el césped mientras la bolsa para césped está conectada a la máquina.

- Presione el botón (1) en el mango y levante la cubierta superior (2) del mango para mover el mango hacia adelante y hacia atrás.

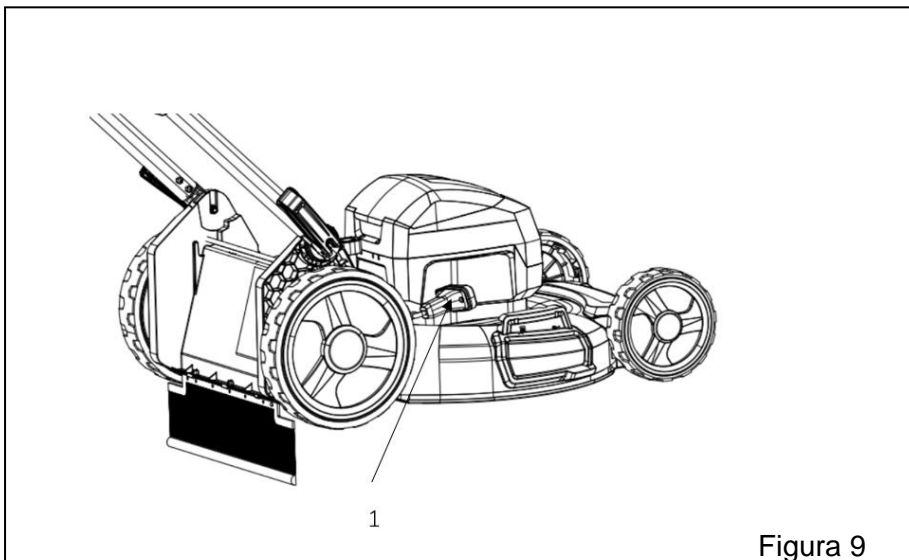


AJUSTE DE ALTURA DE CORTE (Vea la Figura 9)

Cuando se envían, las ruedas del cortacésped se fijan a la posición de corte más baja. Antes de utilizar el cortacésped por primera vez, suba la posición de corte a la altura más adecuada para su césped. El césped promedio debe estar entre 1.18" a 2" durante los meses fríos y entre 2" y 3" durante los meses calurosos.

Para ajustar la altura de la hoja:

•Para elevar la altura de la hoja, sujete la palanca de ajuste de altura delantera (1) y, a continuación, muévala. Ajuste la altura de la siega de acuerdo con la indicación de posición de los asientos delanteros y traseros. Cuanto mayor sea el número, mayor será el engranaje.

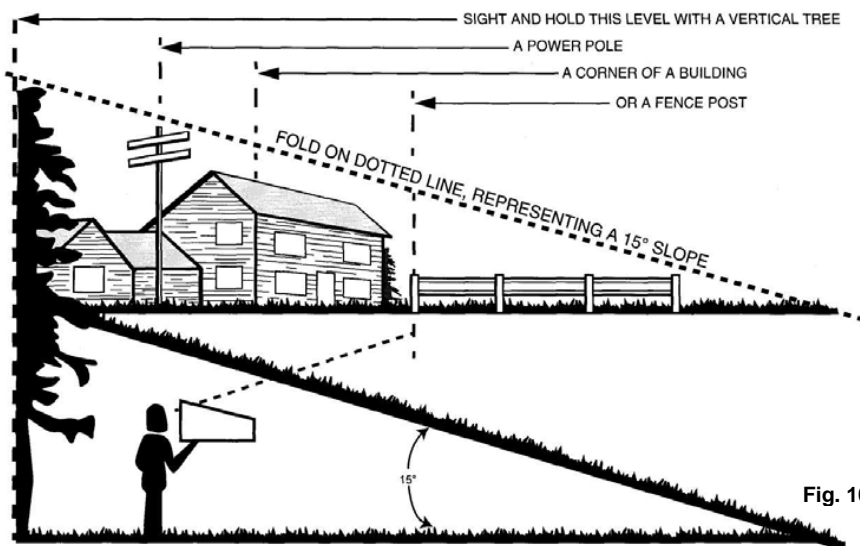


ADVERTENCIA: las pendientes son un factor importante relacionado con los accidentes que involucran resbalones y caídas, que pueden provocar lesiones graves. Operar el cortacésped en una pendiente requiere precaución adicional. Si se siente incómodo en una pendiente, no lo corte. Para su seguridad, use el medidor de pendiente que se incluye como parte de este manual para medir las pendientes antes de operar esta unidad en un área inclinada o montañosa.

- Corte la superficie de una pendiente, y nunca hacia arriba y hacia abajo. Tenga mucho cuidado al cambiar de dirección en una pendiente.
- Esté atento a agujeros, surcos, rocas, objetos ocultos o golpes que puedan causar un resbalón o un tropiezo. El césped alto puede ocultar obstáculos.

- Asegúrese siempre de su equilibrio. Si siente que está perdiendo el equilibrio, suelte la palanca de control de la cuchilla / motor de inmediato. La cuchilla dejará de girar en 3 segundos.
- No corte el césped cerca de pendientes, zanjas o terraplenes, ya que podría perder el apoyo o el equilibrio.
- No corte una pendiente que tenga un ángulo mayor de 15 °, como se determina utilizando el medidor de pendiente.
- No corte el césped mojado o húmedo. Una base inestable puede causar resbalones.

ADVERTENCIA: No corte una pendiente que tenga un ángulo superior a 15 ° (una



elevación de aproximadamente 2 1/2 " [.75 m] cada 10 '[3 m]). Corta la cara de una pendiente, y nunca de arriba abajo.

CONSEJOS DE CORTE

NOTA: Una cuchilla afilada mejorará en gran medida el rendimiento del cortacésped, especialmente al cortar hierba alta. Asegúrese de revisar la cuchilla y afilarla al menos una vez al año, como se describe en la sección Mantenimiento.

- Verifique que el césped esté libre de piedras, palos, alambres y otros objetos que puedan dañar las cuchillas o el motor. El cortacésped podría arrojar accidentalmente estos objetos en cualquier dirección, y podría causar lesiones personales graves al operador y a otras personas. Para evitar descargas eléctricas, no opere el cortacésped en condiciones húmedas o mojadas.
- No corte en círculos. Viaje de ida y vuelta por el césped.
- Cuando corte hierba gruesa, reduzca la velocidad de marcha para permitir un corte más efectivo y una descarga adecuada de los recortes.
- Para un césped saludable, corte siempre un tercio o menos de la longitud total del césped. El césped promedio debe tener aproximadamente 1 1/2 a 2" (3,8 a 5 cm) de largo durante los meses fríos, y entre 2" a 3"(5 cm a 8,3 cm) de largo durante los meses cálidos.

• CONSEJOS PARA APROVECHAR

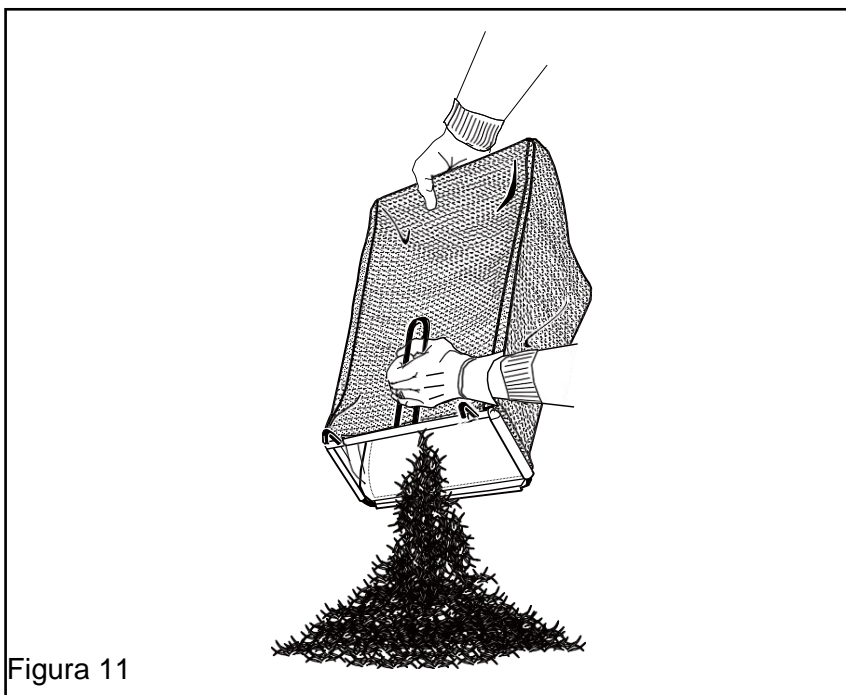
NOTA: INSPECCIONE EL ÁREA DONDE SE DEBE UTILIZAR EL CORTACÉSPED Y RETIRE TODAS LAS PIEDRAS, PALILLOS, ALAMBRES, HUESOS Y OTROS DESECHOS QUE LA CUCHILLA GIRATORIA PUEDA PRODUCIR.

- Suelte el interruptor para apagar el cortacésped cuando cruce cualquier área con grava (la cuchilla puede arrojar piedras).
- Coloque el cortacésped a la altura de corte más alta cuando corte en un terreno irregular o en malezas altas.
- Para lograr un acolchado efectivo, no corte el césped mojado, ya que tiende a adherirse a la parte inferior de la plataforma, evitando el acolchado adecuado de los recortes de césped. El césped nuevo o grueso puede requerir un corte más estrecho. La velocidad de avance debe ajustarse a la condición del césped. Si se ha retrasado el corte y se ha permitido que el césped crezca más de 4"(10 cm), corte el césped dos veces para reducir la altura del césped a un máximo de 3" (8,3 cm).
- Camine a un ritmo constante. Superponga las filas de corte. No deje que la hierba crezca demasiado. Si el césped se alarga demasiado, comience en la posición de corte más alta y trabaje hasta la altura de corte deseada.

ADVERTENCIA: Si golpea un objeto extraño, pare el motor y retire la batería. Inspeccione minuciosamente el cortacésped en busca de daños. Repare cualquier daño antes de operar el cortacésped. La vibración excesiva del cortacésped durante el funcionamiento es una indicación de daño. Inspeccione minuciosamente el cortacésped y repare cualquier daño antes de operarla.

VACIAR LA BOLSA DE RECOGIDA DE HIERBA (Ver Figura 11)

- Detenga el cortacésped, permita que las cuchillas se detengan por completo y retire la batería.
- Levante la cubierta del conducto trasero.
- Levante la bolsa de recogida de césped por su manija para retirarla del cortacésped.
- Recorte de hierba vacíos.
- Levante la cubierta del conducto trasero y vuelva a instalar la bolsa de recogida de césped como se describe anteriormente en este manual.



USO COMO DESCARGA LATERAL

- Debe cerrar la cubierta posterior con el adaptador acolchado para poder utilizar la descarga lateral.

MANTENIMIENTO

LIMPIAR EL CORTACÉSPED

ADVERTENCIA: para reducir el riesgo de descarga eléctrica, no exponga el cortacésped al agua. La parte inferior de la plataforma del cortacésped debe limpiarse después de cada uso, ya que se acumularán recortes de césped, hojas, suciedad y otros desechos, lo que causará óxido y corrosión.

Elimine cualquier acumulación de hierba y hojas en o alrededor de la cubierta del motor (no use agua). Ocasionalmente, limpie el cortacésped con un paño seco. Si se acumulan residuos en la parte inferior del cortacésped durante el uso, pare el motor, desconéctelo de la batería y luego incline el cortacésped hacia adelante o hacia un lado, y límpielo con una herramienta adecuada.

ALMACENAR EL CORTACÉSPED

Se deben seguir los siguientes pasos para preparar el cortacésped para su almacenamiento.

- Limpie el cortacésped como se describe en la sección anterior.
- Inspeccione la cuchilla y reemplácela o afílela, si es necesario (consulte la sección Mantenimiento).
- Lubrique el cortacésped.
- Almacene el cortacésped en un lugar seco y limpio. No lo guarde junto a materiales corrosivos, como fertilizantes o sal de roca.
- Guarde el cortacésped en interiores, en un lugar fresco y seco, fuera del alcance de los niños. No cubra el cortacésped con una lámina plástica sólida. Los revestimientos de plástico atrapan la humedad alrededor del cortacésped, lo que provoca óxido y corrosión.

La manija puede plegarse completamente para guardarla. (Ver Figura 2)

- Levante las tuercas a los lados de la manija superior para desbloquear, y doble la manija superior hacia abajo.
- Levante los sujetadores de liberación rápida en el lado de la manija inferior para desbloquear, tire hacia afuera a cada lado de la manija inferior y levante los lados de la manija inferior más allá de los bordes de los soportes de montaje de la manija. Doble la manija inferior hacia adelante. Asegúrese de no doblar ni torcer el cable de alimentación.
- Retire la batería y guárdela en un lugar fresco y seco, si es posible. Cargue la batería cada dos semanas cuando no esté en uso para aumentar su vida útil.
- Retire la batería y guárdela en un lugar seguro fuera del alcance de los niños. La extracción de la batería no es necesaria para el almacenamiento.

ADVERTENCIA: Esta batería debe cargarse cuando se almacena para mantener la vida útil.

SERVICIO

- Al dar servicio al cortacésped, use solo partes de repuesto disponibles del fabricante. Para obtener partes de repuesto, llame a la línea de ayuda gratuita, al 1-800-791-9458. El uso de partes que no cumplan con las especificaciones del equipo original puede conducir a un rendimiento incorrecto y comprometer la seguridad.
- Antes de limpiar, reparar o inspeccionar, verifique que la cuchilla y todas las partes móviles se hayan detenido por completo, y retire la batería. Retire la batería cuando realice ajustes o cuando cualquiera de las cuatro ruedas deba levantarse del suelo.
- Mantenga las manijas secas, limpias y libres de aceite y grasa.
- Para reducir el riesgo de incendio, mantenga el motor libre de hierba, hojas y acumulación de escombros.
- Verifique con frecuencia que los tornillos de montaje de la cuchilla y el motor estén bien apretados. Inspeccione visualmente la cuchilla en busca de daños (p. Ej., Doblada, agrietada o desgastada).
- Para un rendimiento mejor y más seguro, mantenga el cortacésped con cuidado. Mantenga la cuchilla del cortacésped afilada y limpia. Las cuchillas del cortacésped son afiladas y pueden cortar. Envuelva las cuchillas o use guantes, y tenga precaución cuando realice el servicio.
- Mantenga todas las tuercas, pernos y tornillos apretados para asegurarse de que el equipo esté en condiciones de trabajo seguras.
- Nunca manipule los dispositivos de seguridad. Verifíquelos regularmente para su correcto funcionamiento.
- Después de golpear un objeto extraño, pare el motor. Inspeccione minuciosamente el cortacésped para detectar daños. Repare cualquier daño antes de operar el cortacésped.
- Los componentes del recogida de césped y el escudo del sendero están sujetos a desgaste y daños, lo que podría exponer partes móviles o permitir que se arrojen objetos. Como precaución de seguridad, revise estos componentes con frecuencia y reemplace de inmediato cualquier parte que muestre signos de desgaste, o que esté rajada o rota. Utilice únicamente partes del fabricante del equipo original (OEM), como se detalla en este manual.
- Cuando no esté en uso, guarde el cortacésped en un lugar seco y fuera del alcance de los niños.

ADVERTENCIA: SIEMPRE RETIRE LA BATERÍA AL MANTENER O TRANSPORTAR EL CORTACÉSPED.

DESECHO DE BATERÍA AMBIENTALMENTE SEGURO

Las baterías utilizadas en este paquete de baterías del cortacésped contienen el siguiente material tóxico y corrosivo: ION DE LITIO.

ADVERTENCIA: Los materiales tóxicos deben eliminarse de una manera específica para evitar la contaminación del medio ambiente. Antes de deshacerse de los paquetes de baterías de iones de litio dañados o desgastados, comuníquese con su agencia local de eliminación de desechos para obtener información e instrucciones específicas. Lleve las baterías a un centro local de reciclaje y / o eliminación que esté certificado para su eliminación. Si la batería se agrieta o se rompe, no importa tenga fugas o no, no la recargue ni la use. Deséchelo y reemplácelo con una batería nueva. ¡NO INTENTE REPARARLO!

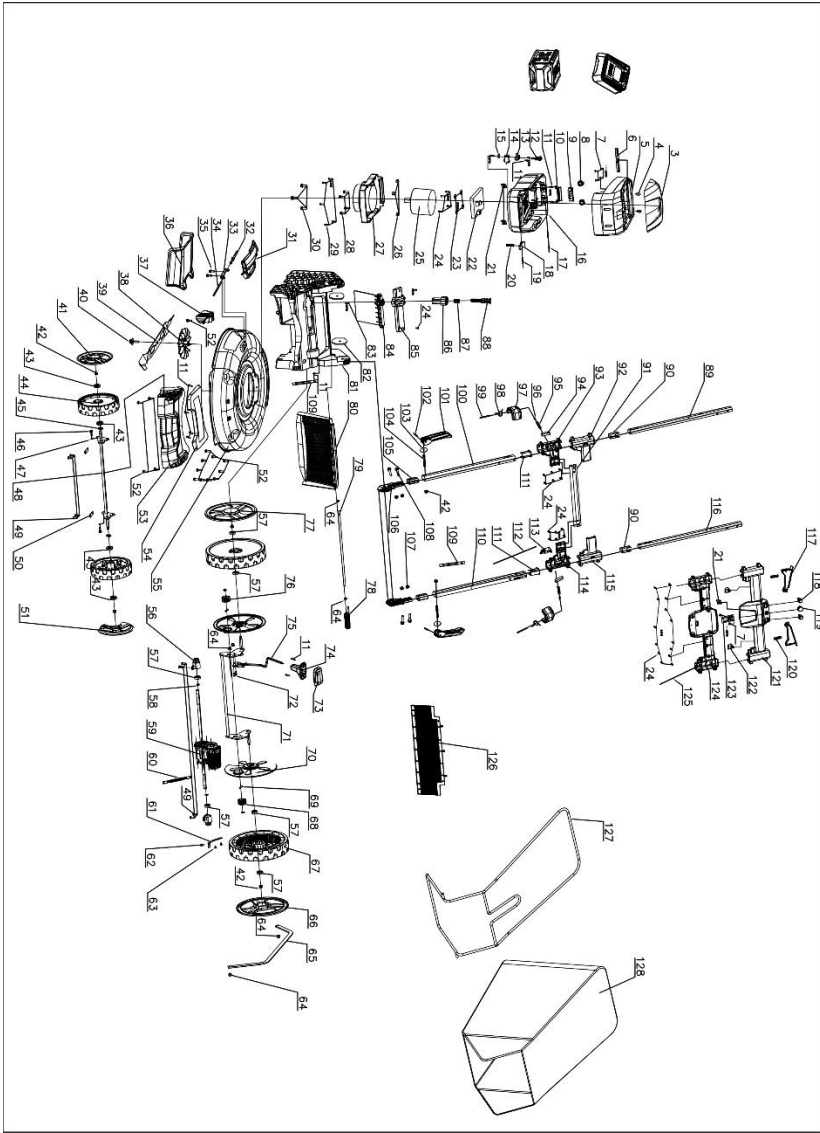
Siga estas instrucciones para evitar lesiones y el riesgo de incendio, explosión o descarga eléctrica, y para evitar daños al medio ambiente:

- Cubra los terminales de la batería con cinta adhesiva de alta resistencia.
- No intente quitar ni destruir ninguno de los componentes de la batería.
- No intente abrir la batería.
- Si se produce una fuga, los electrolitos que se liberan son corrosivos y tóxicos. No ponga la solución en los ojos ni en la piel, y no la trague.
- No coloque las baterías en la basura doméstica normal.
- NO incinere las baterías.
- NO coloque las baterías donde se convertirán en parte de un vertedero de basura o flujo de residuos sólidos municipales.
- Deseche las baterías en un centro certificado de reciclaje o eliminación.

SOLUCIÓN DE PROBLEMAS

PROBLEMA	CAUSA POSIBLE	SOLUCIÓN
El cortacésped no arranca.	La batería no está cargada.	Cargue la batería.
	El interruptor está defectuoso.	Reemplace el interruptor
	Hierba atascada en la cuchilla.	Quitar la batería; revise debajo de la cubierta para ver si hay atascos.
	La batería no está conectada al motor.	Compruebe la conexión entre el conector del motor y la batería.
	La batería puede requerir servicio o reemplazo.	Llame al servicio al cliente al 1-800-791-9458 o reemplace la batería.
	El mango superior no se instala en su lugar.	Tire de la manija superior en su lugar.
El cortacésped corta el césped de manera desigual.	El césped es áspero o desigual.	Verifique el área de corte.
	La altura de corte no está configurada correctamente.	Mueva las ruedas a una configuración más alta.
El cortacésped no funciona correctamente.	Los recortes de hierba húmeda se adhieren a la parte inferior de la cubierta.	Espere hasta que la hierba se seque antes de cortar.
	Falta la descarga lateral.	Instale la descarga lateral.
El cortacésped es difícil de empujar.	El césped es demasiado alto o la altura de corte es demasiado baja.	Eleve la altura de corte.
	La parte trasera de la carcasa del cortacésped y la cuchilla se arrastran sobre hierba espesa.	Vacíe los recortes de hierba de la bolsa de recogida de hierba.
El cortacésped es excesivamente ruidoso y vibra.	El eje del motor está doblado.	Pare el motor e inspeccione en busca de daños.
	La cuchilla está desequilibrada.	Repáre antes de reiniciar. Si la vibración persiste, llame al servicio al cliente al 1-800-791-9458

VISTA EXPLOSIONADA Y LISTA DE PIEZAS DE REPUESTO



Item	Stock#	Description	Qty
1	202470012	montaje del cargador	1
2	202460006	baterías	1
3	203010933	cubierta superior de la caja de baterías	1
4	302060041	válvula antirretorno	2
5	203010880A	cubierta intermedia de la caja de baterías	1
6	301120010	luz	1
7	303010237	tornillo ST4.2x10	6
8	303130355	muelle de la batería	2
9	203010871A	sopORTE de cartuchos	1
10	203010858A	placa porta cartuchos del cargador	1
11	303010026	tornillo ST4.2x12	11
12	203021264	llave de seguridad	1
13	203010783	cubierta superior del interruptor	1
14	301100055	interruptor de contacto del seguro para niños	1
15	303043077	arandela plana	1
16	203021359	cubierta de la batería	1
17	303100086A	eje de la cubierta de baterías	2
18	203021341	interruptor pulsador autoblocante	1
19	303160814	eje del interruptor de bloqueo automático de baterías	1
20	303130356	muelle del interruptor autoblocante	1
21	203020047	abrazadera de cable	3
22	303240661	Controlador autopulsado	1
23	303042104	arandela plana	4
24	303010226	tornillo ST4x16	33
25	202040068A	motor de 1200W	1
26	303030036	tuerca hexagonal M8	3
27	203021343	base del motor	1
28	303020635	tornillo M6x12	4
29	303010028	tornillo ST4x18	5
30	303020649	tornillo M8x20	3
31	203050381B	cubierta de descarga lateral	1
32	303130379	torsional spring	1

Item	Stock#	Description	Qty
33	303160833	sopORTE de descarga lateral	1
34	303160410A	pin de muelle de torsión	1
35	303020468	tornillo hexagonal M6x10mm	2
36	203050382A	canal de descarga lateral	1
37	203021335A	deflector de viento	1
38	203021337	ventilador del motor	1
39	303240662A	Cuchilla de 21"	1
40	203021355	tornillo de cuchilla cubierta de Nylon	1
41	203050988	cubierta de rueda delantera derecha de 8"	1
42	303030077	tuerca hexagonal M8	6
43	303100065	cojinete de rueda	4
44	302090173	rueda trasera de	2
45	303043039	arandela plana	2
46	303020561	tornillo M6x16	2
47	303041009	lavadora de primavera	2
48	303181190A	costura del eje delantero	1
49	303010216	tornillo ST6.3x20	8
50	303071420	abrazadera de rueda	2
51	203050989	cubierta de rueda delantera izquierda	1
52	303010332	tornillo ST6.3x20	15
53	203050399C	cubierta frontal	1
54	203051014	la placa de la cubierta delantera	1
55	303181125A	la cubierta	1
56	203021336	cubierta de la rueda trasera	2
57	303100002	rodamiento rígido de bolas	6
58	303050007	anillo del eje	4
59	301030103	automotor de rueda alta	1
60	306040044	línea de conexión	1
61	303071600	la placa fija	1
62	303020562	tornillo M6x10	1
63	303010108	tornillo ST4.8x16	2
64	303030032	tuerca hexagonal M6	6

Item	Stock#	Description	Qty
65	303181426	varilla de conexión	1
66	203050991	cubierta de la rueda trasera izquierda de	1
67	203040021A	rueda trasera de 11.5"	2
68	303160471A	engranaje móvil L	1
69	303123017A	pin cilíndrico	2
70	203010806A	cubierta de polvo	2
71	303181191A	soldadura del eje de la rueda trasera	1
72	303020339	tornillo hexagonal M6x14	2
73	203050936	cubierta superior del mango de ajuste	1
74	203050937	cubierta inferior del mango de ajuste	1
75	303210038	remache con barra de mango	1
76	303160470A	engranaje móvil R	1
77	203050990	cubierta de la rueda trasera derecha de 11.5"	1
78	203050562	muelle de torsión de la tapa trasera	1
79	303081150	eje	1
80	203050541	placa trasera	1
81	203050993	asiento trasero	1
82	303160974	bloque de dientes en espiral	2
83	303010161	tornillo	1
84	203050994	plaque défectrice d'herbe	1
85	203050995	placa de bafde de hierba	1
86	203010962	conjunto de la barra del ciclotr	1
87	303130385	muelle de la barra del ciclotrón	1
88	203021500	barra de ciclotr	1
89	303071597	barandilla superior derecha	1
90	203010869	piezas resistentes a los arañazos	4
91	303071390	barra de barandilla	1
92	203050530	cubierta superior derecha de barandilla	1
93	203050529	cubierta inferior derecha de barandilla	1
94	203050533	almohadilla de presión	2
95	303130391	primavera	2
96	203021248	tap plástico	2

Item	Stock#	Description	Qty
97	203010868	abrazadera autobloqueante	2
98	303130358	muelle de abrazadera autobloqueante	2
99	303100087	eje de abrazadera autobloqueante	2
100	303071596	barandilla inferior derecha	1
101	203021348	manija de liberación plegable	2
102	303123030	pin cilíndrico	2
103	303042181	arandela plana	2
104	303160611B	tornillo	2
105	203050534	zócalo de muesca giratoria	2
106	303160965	muesca giratoria	2
107	303030087	tuerca hexagonal M6	4
108	303020503	tornillo hexagonal exterior	4
109	306010057	pinza de cable con revestimiento de PVC	2
110	303071595	barandilla inferior izquierda	1
111	203010870	piezas resistentes a los arañazos	2
112	306040039	cable del interruptor de polea	1
113	301100058	cable del interruptor	1
114	203050532	cubierta inferior izquierda de barandilla	1
115	203050531	cubierta superior izquierda de barandilla	1
116	303071598	barandilla superior izquierda	1
117	203021346	disparador del interruptor	2
118	301100057	interruptor	2
119	203021366	pomo del interruptor	1
120	303130363	muelle del disparador del interruptor	2
121	203050985	cubierta superior del panel	1
122	301100056	interruptor de botón	2
123	301011023	panel de PC	1
124	203050528	cubierta inferior del panel	1
125	306040035	línea de conexión	1
126	302080050B	barrera de plástico	1
127	303081356	soporte de recolección de hierba	1
128	302120014	bolsa de colección	1

TRES (3) AÑOS DE GARANTÍA LIMITADA

PowerSmart® se compromete a crear herramientas confiables durante años. Nuestras garantías son consistentes con nuestro compromiso y dedicación a la calidad.

GARANTÍA LIMITADA DE TRES (3) AÑOS DE PRODUCTOS POWERSMART PARA USO DOMÉSTICO.

PowerSmart ("Vendedor") garantiza únicamente el mantenimiento al comprador original que todas las herramientas eléctricas de consumo PowerSmart estarán libres de defectos en materiales o mano de obra por un período de tres (3) años a partir de la fecha de compra. Noventa (90) días para todos los PowerSmart Productos, si la herramienta se utiliza para uso profesional o comercial.

La OBLIGACIÓN ÚNICA DEL VENDEDOR Y SU RECURSO EXCLUSIVO bajo esta Garantía limitada de tres (3) años y, en la medida permitida por la ley, cualquier garantía o condición implícita por la ley, será la reparación o el reemplazo de partes, sin cargo, que sean defectuosas en material o mano de obra y que no hayan sido mal utilizados, manejados descuidadamente o reparados incorrectamente por personas que no sean Vendedor o Centro de servicio autorizado. Para realizar un reclamo bajo esta Garantía limitada, debe devolver el producto completo de la herramienta eléctrica; transporte prepago, a PowerSmart Incluya una copia legible del recibo original, que enumera la fecha de compra (mes y año) y el nombre de la empresa comprada.

ESTA GARANTÍA LIMITADA NO SE APLICA A NINGÚN ARTÍCULO ACCESORIO INCLUIDO CON LA HERRAMIENTA, COMO LAS HOJAS DE SIERRA CIRCULAR, OTROS ARTÍCULOS RELACIONADOS O A CUALQUIER PARTE DE REPUESTO LISTA BAJO MANTENIMIENTO.

CUALQUIER GARANTÍA IMPLÍCITA SERÁ LIMITADA EN DURACIÓN A TRES (3) AÑOS DESDE LA FECHA DE COMPRA. ALGUNOS ESTADOS EN LOS ESTADOS UNIDOS Y ALGUNAS PROVINCIAS CANADIENSES NO PERMITEN LIMITACIONES DE LA DURACIÓN DE UNA GARANTÍA IMPLÍCITA, POR LO QUE LA LIMITACIÓN ANTERIOR PUEDE NO APLICARSE EN SU CASO.

EN NINGÚN CASO EL VENDEDOR SERÁ RESPONSABLE POR DAÑOS INCIDENTALES O CONSECUENTES (INCLUIDOS, PERO SIN LIMITARSE A LA RESPONSABILIDAD POR LA PÉRDIDA DE BENEFICIOS) DERIVADOS DE LA VENTA O USO DE ESTE PRODUCTO. ALGUNOS ESTADOS EN LOS ESTADOS UNIDOS Y ALGUNAS PROVINCIAS CANADIENSES NO PERMITEN LA EXCLUSIÓN O LIMITACIÓN DE DAÑOS INCIDENTALES O CONSECUENTES, POR LO QUE LA LIMITACIÓN O EXCLUSIÓN ANTERIOR PUEDE NO APLICARSE EN SU CASO.

ESTA GARANTÍA LIMITADA LE OTORGA DERECHOS LEGALES ESPECÍFICOS, Y TAMBIÉN PUEDE TENER OTROS DERECHOS QUE VARIAN DE ESTADO A ESTADO EN LOS ESTADOS UNIDOS, DE LA PROVINCIA A LA PROVINCIA DE CANADÁ Y DEL PAÍS AL PAÍS.

Para preguntas / comentarios, asistencia técnica o partes de reparación -
Llame al servicio al cliente al: 1-800-791-9458 (lunes a viernes de 9 a.m. a 5 p.m. EST)
E-mail: support@amerisuninc.com

GUARDE SUS RECIBOS. ESTA GARANTÍA SE ANULA SIN ELLOS.