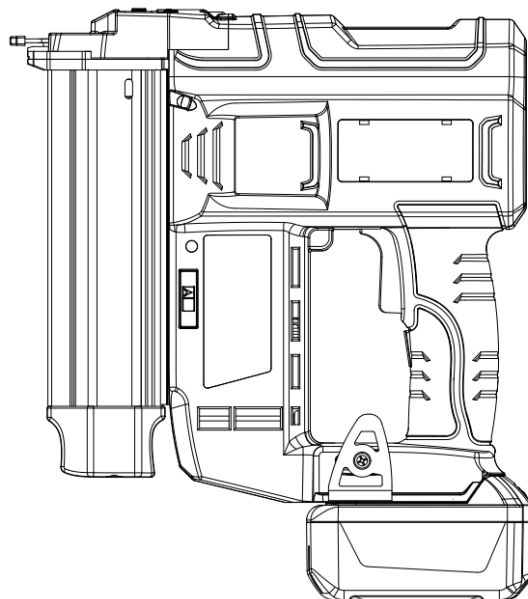


POWERSMART[®]

INSTRUCTION MANUAL

20V Cordless Brushless Brad Nailer and Stapler

Model # PS76170A



Have product questions or need technical support? Please scan the QR code to enter our official website and contact us!

Website: www.powersmartusa.com

Toll free: 1-800-791-9458 M-F 9-5 EST

Email: support@amerisuninc.com



Website

CONTENTS

Technical data	3
Introduction	4
Safety information	4
General safety rules.....	5
Special safety rules for brad nailer.....	10
Symbols	11
Knowing your brad nailer.....	12
Assembly instruction.....	13
Operating instruction.....	15
Maintenance.....	17
Trouble shooting.....	18
Exploded view & parts list.....	19
Warranty statement.....	22

TECHNICAL DATA

20V Cordless Brushless Brad Nailer and Stapler	Model # PS76170A
Nail gauge:	18
Nail type:	Brad nail / 1/4"Narrow crown staple
Brad nail length:	5/8"~2"
Crown staple length:	5/8"~1-5/8"
Magazine capacity:	100pcs
Battery type:	20V Lithium-ion, 4.0Ah
Battery model:	PS76440B
Charge time:	2.5 hours
Charger model:	PS76018C
Charger rating:	Input: 120V AC, 60Hz, 0.54A; Output: 20V DC, 1.5A
Package dimensions (L x W x H):	18.6 x 5.2 x 13.8 inches
Weight:	14.1 lb.

INTRODUCTION

Thank You for Purchasing a PowerSmart® Product. This manual provides information regarding the safe operation and maintenance of this product. Every effort has been made to ensure the accuracy of the information in this manual. PowerSmart® reserves the right to change this product and specifications at any time without prior notice.

Please keep this manual available to all users during the entire life of the power tool.



This manual contains special messages to bring attention to potential safety concerns, power tool damage as well as helpful operating and servicing information. Please read all the information carefully to avoid injury and machine damage.

QUESTIONS? PROBLEMS?

Please contact our Customer Service Dept. with any questions and/or comments, either by Email: support@amerisuninc.com, or Toll Free at (800)791-9458. We are available Mon-Fri 9am-5pm EST to help solve any issues that you might encounter.

SAFETY INFORMATION

Before operating this power tool, read and observe all warnings, cautions, and instructions on the power tool and in this Owner's Manual.

NOTE: The following safety information is not meant to cover all possible conditions and situations that may occur. Read the entire Owner's Manual for safety and operating instructions. Failure to follow instructions and safety information could result in serious injury or death.

This safety alert symbol is used to identify safety information about hazards that can result in personal injury.



A signal word (DANGER, WARNING, or CAUTION) is used with the alert symbol to indicate the likelihood and the potential severity of injury. In addition, a hazard symbol may be used to represent the type of hazard.

DANGER Indicates a hazard, which, if not avoided, will result in death or serious injury.

WARNING Indicates a hazard, which, if not avoided, could result in death or serious injury.

CAUTION Indicates a hazard, which, if not avoided, might result in minor or moderate injury.

CAUTION Without the alert symbol, indicates a situation that could result in damage.

GENERAL SAFETY RULES

Safety is a combination of common sense, staying alert, and knowing how your power tool works. **SAVE THESE SAFETY INSTRUCTIONS.**



WARNING: Do not operate this unit until you read this instruction manual for safety, operation and maintenance instructions. Failure to follow all instructions listed below may result in electric shock, fire, and/or serious personal injury.

WORK AREA SAFETY

- Keep your work area clean and well lit. Cluttered and dark areas invite accidents.
- Do not operate power tools in explosive atmospheres, such as in the presence of flammable liquids, gases, or dust. Power tools create sparks which may ignite the dust or fumes.
- Keep bystanders, children, and visitors away while operating a power tool. Distractions can cause you to lose control.
- Avoid unintentional misfires. Always use caution to avoid accidentally firing. Do not point towards yourself or anyone whether it contains fasteners or not.

ELECTRICAL SAFETY

Grounding instructions

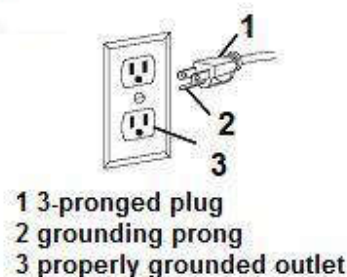
IN THE EVENT OF A MALFUNCTION OR BREAKDOWN, grounding provides the path of least resistance for electric current and reduces the risk of electric shock. This tool is equipped with an electric cord that has an equipment grounding conductor and a grounding plug. The plug **MUST** be plugged into a matching outlet that is properly installed and grounded in accordance with ALL local codes and ordinances.

DO NOT MODIFY THE PLUG PROVIDED. If it will not fit the outlet, have the proper outlet installed by a licensed electrician.

IMPROPER CONNECTION of the equipment grounding conductor can result in electric shock. The conductor with the green insulation (with or without yellow stripes) is the equipment grounding conductor. If repair or replacement of the electric cord or plug is necessary, **DO NOT** connect the equipment grounding conductor to a live terminal.

CHECK with licensed electrician or service personnel if you do not completely understand the grounding instructions, or if you are not sure if the tool is properly grounded.

USE ONLY THREE-WIRE EXTENSION CORDS that have 3-pronged plugs and outlets that accept the tool's plug as shown in Fig. A. Repair or replace a damaged or worn cord immediately.



CAUTION: In all cases, make certain the outlet in question is properly grounded. If you are not sure if it is, have a licensed electrician check the outlet.



WARNING: Do not expose to rain or use in damp locations.

Guidelines for using extension cords

Make sure your extension cord is in good condition. When using an extension cord, be sure to use one heavy enough to carry the current your product will draw. An undersized cord will cause a drop in line voltage resulting in loss of power and overheating. The table below shows the correct size to be used according to cord length and nameplate ampere rating. If in doubt, use the next heavier gauge. The smaller the gauge number, the heavier the cord.

Minimum Gauge for Extension Cords (AWG)
(When using 120 V only)

Ampere Rating		Total Length of Cord in feet			
More Than	Not More Than	25	50	100	150
0	6	18	16	16	14
6	10	18	16	14	12
10	12	16	16	14	12
12	16	14	12	Not Recommended	

Make sure your extension cord is properly wired and in good condition. Always replace a damaged extension cord or have it repaired by a qualified person before using it.

Protect your extension cords from sharp objects, excessive heat and damp or wet areas.

Use a separate electrical circuit for your tools. This circuit must not be less than a #12 wire and should be protected with a 15 A time-delayed fuse. Before connecting the motor to the power line, make sure the switch is in the OFF position and the electric current is rated the same as the current stamped on the motor nameplate. Running at a lower voltage will damage the motor.



WARNING: This tool must be grounded while in use to protect the operator from electric shock.

PERSONAL SAFETY

- Always wear eye protection. Operator and others in the work area should always wear ANSI-approved safety goggles with side shields. Eye protection is used to guard against flying fasteners and debris, which may cause severe eye injury. You can use the goggles packed with the tool.

- Use safety equipment. A Dust mask, non-skid safety shoes, hard hat, or hearing protection must be used for appropriate conditions. Wear a full face shield if you are producing metal filings or wood chips.
- Dress properly. Do not wear loose clothing or jewelry. Contain long hair. Keep your hair, clothing, and gloves away from moving parts. Loose clothes, jewelry, or long hair can be caught in moving parts.
- Stay alert, watch what you are doing and use common sense when operating a power tool. Do not use a power tool while you are tired or under the influence of drugs, alcohol or medication. A moment of inattention while operating power tools may result in serious personal injury.
- Prevent unintentional starting. Ensure the switch is in the off position before connecting to power source and/or battery pack, picking up or carrying the tool. Carrying power tools with your finger on the switch or energizing power tools that have the switch on invites accidents.
- Keep proper footing and balance at all times. Proper footing and balance enables better control of the tool in unexpected situations.
- Do not use on a ladder or unstable supports. Stable footing on a solid surface enables better control of the tool in unexpected situations.
- Dress properly. Do not wear loose clothing or jewelry. Keep your hair, clothing and gloves away from moving parts. Loose clothes, jewelry or long hair can be caught in moving parts.

POWER TOOL USE AND CARE

- Know this tool. Read manual carefully, learn its applications and limitations, as well as the specific potential hazards related to this tool.
- Use only fasteners that are recommended for your models. Do not use the wrong fasteners or load the fasteners incorrectly.
- Check for misalignment or binding of moving parts, breakage of parts, and any other condition that may affect the power tools operation. If damaged, have the power tool serviced before using. Many accidents are caused by poorly maintained tools.
- Do not force power tool. Use the correct power tool for your application. The correct power tool will do the job better and safer at the rate for which it is designed.
- Maintain tools with care. Keep tool clean. A properly maintained tool, reduces the risk of binding and is easier to control.
- Store idle power tools out of reach of children and other untrained persons. Power tools are dangerous in the hands of untrained users.
- Check operation of the tool before use. Do not use the tool if the workpiece contact mechanism is not working correctly as accidental driving of a fastener may occur.
- Do not use the power tool if switch does not turn it on or off. Any power tool that cannot be controlled with the switch is dangerous and must be repaired.
- Disconnect the plug from the power source and/or the battery pack from the power tool before making any adjustments, changing accessories, or storing power tools. Such preventive safety measures reduce the risk of starting the power tool accidentally.
- Keep the tool and its handle dry, clean and free from oil and grease. Always use a clean cloth when cleaning. Never use brake fluids, gasoline, petroleum-based products, or any strong solvents to clean your tool.
- Never use this tool in a manner that could cause a fastener to be directed toward anything other than the workpiece.
- Do not operate the tool if it does not contain a legible warning label.

- Use the power tool, accessories and tool bits etc. in accordance with these instructions, taking into account the working conditions and the work to be performed. Use of the power tool for operations different from those intended could result in a hazardous situation.
- Save these instructions. Refer to them frequently and use them to instruct others who may use this tool. If you lend this tool to someone else, also lend them these instructions.

BATTERY TOOL USE AND CARE



WARNING: USE ONLY POWERSMART APPROVED REPLACEMENT BATTERIES, OTHER BATTERIES MAY CAUSE INJURY OR DAMAGE TO THE NAILER. Use with POWERSMART 20V battery.

Battery safety rules

- Battery tools do not have to be plugged into an electrical outlet; therefore, they are always in operating condition. Be aware of possible hazards when not using your battery tool or when changing accessories. Following this rule will reduce the risk of electric shock, fire, or serious personal injury.
- Do not place battery tools or their batteries near fire or heat. This will reduce the risk of explosion and injury.
- Do not crush, drop or damage battery pack. Do not use a battery pack or charger that has been dropped or received a sharp blow. A damaged battery is subject to explosion. Properly dispose of a dropped or damaged battery immediately.
- Batteries can explode in the presence of a source of ignition, such as a pilot light. To reduce the risk of serious personal injury, never use any cordless product in the presence of open flame. An exploded battery can propel debris and chemicals. If exposed, flush with water immediately. Do not charge battery tool in a damp or wet location. Following this rule will reduce the risk of electric shock.
- For best results, your battery tool should be charged in a location where the temperature is more than 45°F but less than 104°F. To reduce the risk of serious personal injury, do not store outside or in vehicles.
- Under extreme usage or temperature conditions, battery leakage may occur. If liquid comes in contact with your skin, wash immediately with soap and water. If liquid gets into your eyes, flush them with clean water for at least 10 minutes, then seek immediate medical attention. Following this rule will reduce the risk of serious personal injury.
- When battery pack is not in use, keep it away from other metal objects like: paper clips, coins, keys, nails, screws, or other small metal objects that can make a connection from one terminal to another. Shorting the battery terminals together may cause sparks, burns, or a fire.
- Always remove battery pack from your tool when you are assembling parts, making adjustments, cleaning, or when not in use. Removing battery pack will prevent accidental starting that could cause serious personal injury.
- Always remove battery pack before storing the device. When battery becomes fully charged, unplug the charger from the power supply and remove the battery pack from the charger.
- Always wear eye protection with side shields marked to comply with ANSI Z87.1, along with hearing protection. Failure to do so could result in objects being thrown into your eyes and other possible serious injuries.
- Keep battery pack dry, clean, and free from oil and grease. Always use a clean cloth when cleaning. Never use brake fluids, gasoline, petroleum-based products, or any solvents to clean battery pack.
- Do not open or mutilate the battery. Released electrolyte is corrosive and may cause damage to the eyes or skin. It may be toxic if swallowed.

Proper care for battery

Off-season storage

To obtain the longest possible battery life, we suggest the following:

- Remove the battery pack from the charger once it is fully charged and ready for use.

For battery pack storage longer than 30 days:

- Store the battery pack where the temperature is below 80°F and away from moisture.
- Store battery packs in a fully charged condition.
- Every two months of storage, charge the pack as normal.

Charger safety rules

- Charge the battery in a dry area that is protected from the weather. Do not expose the string trimmer or the charger to rain. Do not charge the battery in a wet location. Operate the battery charger in temperatures between 45°F and 104°F. In order to reduce the risk of electric shock, use only the charger that is provided by the manufacturer to charge the battery.
- **DO NOT ABUSE THE CHARGE CORD.** Never carry the charger by the cord. Do not disconnect the charger from the outlet by pulling the charger cord.
- Do not use a damaged charger. Replace the charger cords or the charger immediately.
- Keep the string trimmer and the charger away from water, heat sources (radiators, heaters, stoves, etc.), flames, and chemicals.
- Make sure the battery pack is secured in the charger before beginning operation.
- The battery pack will become slightly warm to the touch while charging. This is normal and does not indicate a problem.
- Do not place the charger and battery pack in an area of extreme heat or cold. They will work best at normal room temperature.
- When batteries become fully charged, unplug the charger from the power supply and remove the battery pack.



WARNING: When transporting or servicing unit, always remove the battery.



WARNING: Some dust created by power sanding, sawing, grinding, drilling and other construction activities contains chemicals known to the state of California to cause cancer, birth defects or other reproductive harm. Some examples of these chemicals are:

- Lead from lead-based paints,
- Crystalline silica from bricks and cement and other masonry products, and
- Arsenic and chromium from chemically-treated lumber.
- Your risk from these exposures varies, depending on how often you do this type of work. To reduce your exposure to these chemical: work in a well ventilated area, and work with approved safety equipment, such as those dust masks that are specially designed to filter out microscopic particles.

SERVICE

- Tool service must be performed only by qualified repair personnel. Service or maintenance performed by unqualified personnel could result in a risk of injury.
- When servicing a tool, use only identical replacement parts. Follow instructions in the Maintenance section of this manual. Use of unauthorized parts or failure to follow Maintenance Instructions may create a risk of electric shock or injury.

SPECIFIC SAFETY RULES FOR BRAD NAILER








- Always assume that the tool contains fasteners. Careless handling of the nailer can result in unexpected firing of fasteners and personal injury.
- Do not point the tool towards yourself or anyone nearby. Unexpected triggering will discharge a fastener causing an injury.
- Do not actuate the tool unless the tool is placed firmly against the workpiece. If the tool is not in contact with the workpiece, the fastener may be deflected away from your target.
- Disconnect the tool from the power source when the fastener jams in the tool. While removing a jammed fastener, the tacker may be accidentally activated if it is plugged in.
- Do not use this nailer for fastening electrical cables. It is not designed for electric cable installation and may damage the insulation of electric cables thereby causing electric shock or fire hazards.
- Disconnect battery pack from the tool when not in use. Always remove battery pack and remove fasteners from magazine before leaving the area or passing the tool to another operator. Do not carry tool to another work area in which changing location involves the use of scaffoldings, stairs, ladders, and the like, with battery pack connected. Do not make adjustments, perform maintenance or clear jammed fasteners while battery is in place.
- Always wear safety goggles or safety glasses with side shield, and a full face shield when needed.
- Keep hands and feet away from the ejection port area.
- Follow instruction for lubricating and changing accessories.
- Always remove the battery cartridge before loading the fasteners, adjustment, inspection, maintenance or after operation is over.
- Make sure no one is nearby before operation. Never attempt to drive fasteners from both the inside and outside of wall at the same time. Fasteners may rip through and/or fly off, presenting a grave danger.
- Watch your footing and maintain your balance with the tool. Make sure there is no one below when working in high locations.
- Do not drive fasteners near edge of material. The workpiece may split causing the fastener or ricochet, injuring you or people around.
- Do not carry the tool from place to place holding the trigger. Accidental discharge could result. Choice of triggering method is important.
- During normal use the tool will recoil immediately after driving a fastener. This is a normal function of the tool. Do not attempt to prevent the recoil by holding the tool against the work. Restriction to the recoil can result in a second fastener being driven from the tool. Grip the handle firmly and let the tool do the work. Failure to heed this warning can result in serious personal injury.
- Do not drive fasteners on top of other fasteners or with the tool at an overly steep angle as this may cause deflection of fasteners which could cause injury.
- Always handle the tool with care:
 - Respect the tool as a working implement.
 - Never engage in horseplay.
 - Never pull the trigger unless nose is directed toward the work.
 - Keep others a safe distance from the tool while tool is in operation as accidental actuation may occur, possibly causing injury.

LOADING TOOL

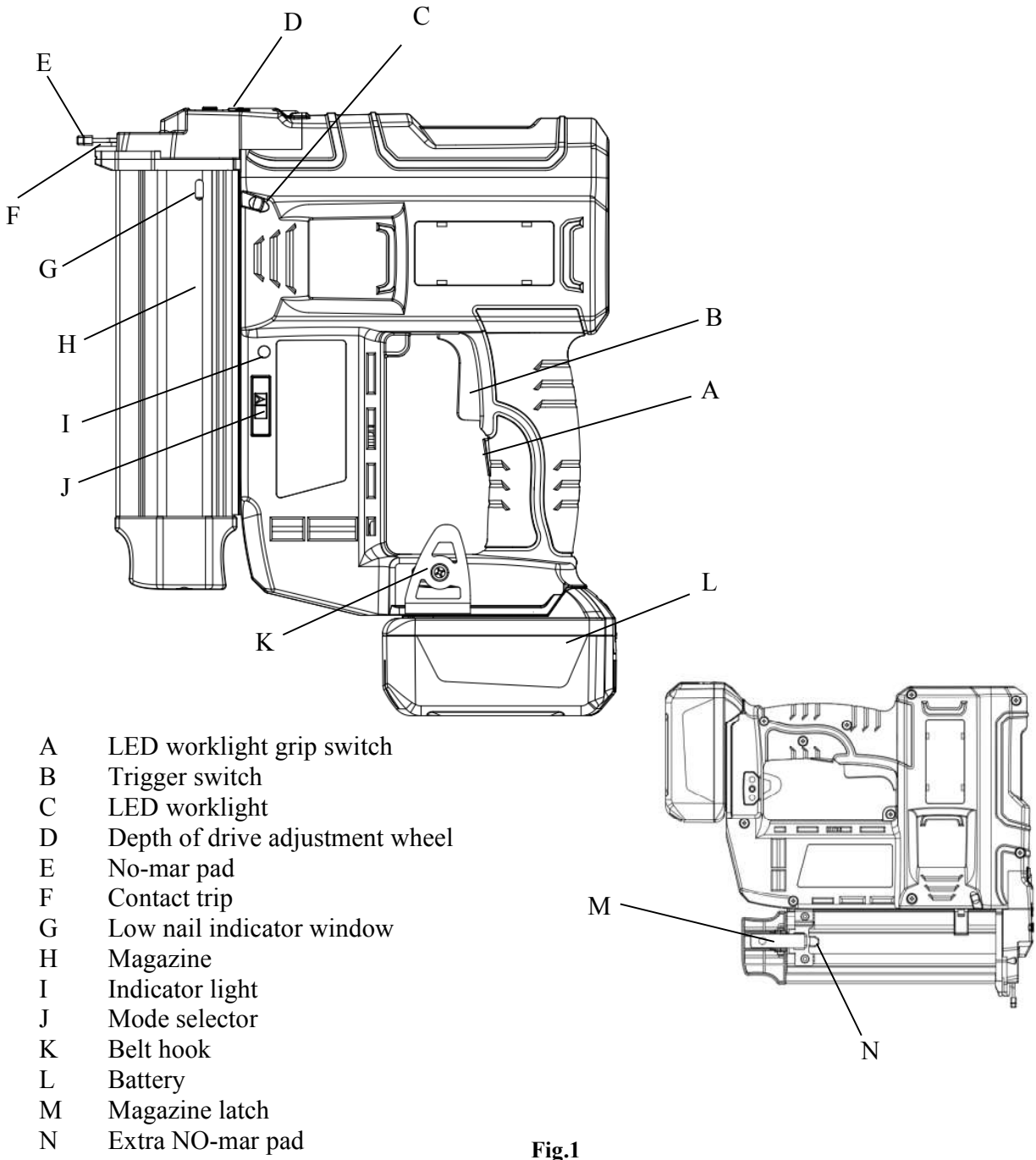
- Do not load the tool with fasteners when any one of the operating controls is activated.
- Never place a hand or any part of body in fastener discharge area of tool.
- Never point tool at anyone.
- Do not pull the trigger or depress the workpiece contact as accidental actuation may occur, possibly causing injury.

SYMBOLS

Some of the following symbols may be used on this product. Please study them and learn their meaning. Proper interpretation of these symbols will allow you to operate the product better and safer.

SYMBOL	NAME	DESIGNATION/EXPLANATION
V	Volts	Voltage
A	Amperes	Current
Hz	Hertz	Frequency (cycles per second)
W	Watts	Power
MIN	Minutes	Time
	Safety Alert	Precautions that involve your safety.
	Read the user's manual	To reduce the risk of injury, user must read and understand user's manual before using this product.
	Eye protection	Operators and others in work area must wear safety glasses with side shields.
	Hearing protection	Use proper hearing protection when operating this equipment.
	Wet conditions alert	Do not expose to rain or use in damp locations.
	No Hands Symbol	Keep fingers away from trigger when not driving fasteners to avoid accidental discharge.
	Environmental protection	Waste electrical products should not be disposed of with household waste. Please recycle where facilities exist. Check with your local authority or retailer for recycling advice.

KNOWING YOUR BRAD NAILER



- A LED worklight grip switch
- B Trigger switch
- C LED worklight
- D Depth of drive adjustment wheel
- E No-mar pad
- F Contact trip
- G Low nail indicator window
- H Magazine
- I Indicator light
- J Mode selector
- K Belt hook
- L Battery
- M Magazine latch
- N Extra NO-mar pad

Fig.1

Unpacking

Unpack the power tool and all its parts, and compare against the list below. Do not discard the carton or any packaging materials. Please call 1-800-791-9458 or E-mail us at support@amerisuninc.com if any parts are damaged or missing.

Including: Nailer / 300pcs brad nails / 200pcs narrow crown staples / 2 x Hex wrenches : M4 (3mm),M5 (4mm) / Lubricant / Safety glasses / Battery and Charger / User manual

ASSEMBLY INSTRUCTION



WARNING:

Do not use this product if any parts on the packing list are already assembled to your product when you unpack it. Parts on this list are not assembled to the product by the manufacturer and require customer installation. Use of a product that may have been improperly assembled could result in serious personal injury.



WARNING:

If any parts are damaged or missing do not operate this product until the parts are replaced. Use of this product with damaged or missing parts could result in serious personal injury.



WARNING:

Do not attempt to modify this product or create accessories not recommended for use with this product. Any such alteration or modification is misuse and could result in a hazardous condition leading to possible serious personal injury.



WARNING:

Do not connect to power source until assembly is complete. Failure to comply could result in accidental starting and possible serious personal injury.

INSTALLING AND REMOVING THE BELT HOOK

The belt hook (K) can be installed on the left or right side of the nailer, depending on operator preference. If the hook is not desired at all, it can be removed from the tool.

- Use a screw driver to loosen the belt hook bolt by rotating the bolt in a counter clockwise direction.
- Rotate the belt hook to the desired position.
- Use the screw driver to tighten the belt hook bolt and lock the belt hook into position.

LOADING THE TOOL



WARNING: Keep the tool pointed away from yourself and others. Serious personal injury may result.



WARNING: Never load nails with the contact trip or trigger activated. Personal injury may result.



WARNING: Always remove battery pack before loading or unloading nails. Serious personal injury may result.

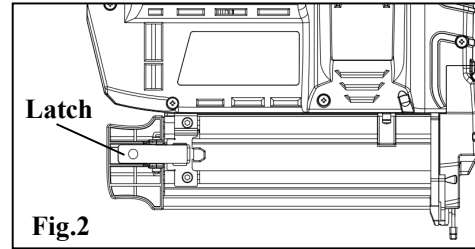
When replacing nails in your model PS76170A, follow these guidelines:

Nail Type:

Brad nail: Ga18 (1.25×1.0mm) Nail length: 15-50mm (5/8"-2") Capacity: 100 pcs

Staples: Ga18 (1.25×1.05mm) Nail length: 16-40mm (5/8"-1-5/8") Capacity: 100 pcs

1. Press magazine latch (M) and open sliding magazine (H) .
2. Insert a stick of fasteners into the magazine channel.
 - For brad nails, the pointed ends of the fasteners are resting on the bottom edge of the magazine when loading.
 - For staples, the head of the staples are resting on the top of the magazine.
3. Close sliding magazine until the magazine latch clips snugly.



UNLOADING THE TOOL



WARNING: Always disconnect the power source before unloading.

1. Remove battery (L).
2. Press magazine latch (M) and open sliding magazine (H).
3. Remove all fasteners from the magazine channel.
4. Close sliding magazine until the magazine latch clips snugly.

NO-MAR PAD

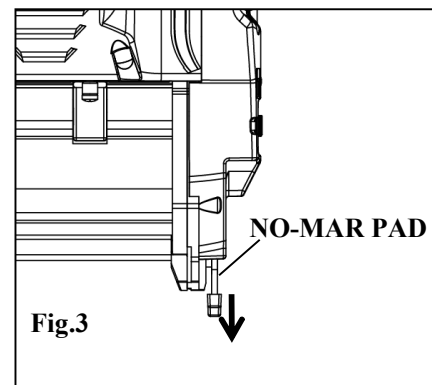
The no-mar pad attached to the nose of the tool helps prevent marring and denting when working with softer woods.



WARNING: Disconnect the tool from the battery before removing or replacing the no-mar pad. Failure to do so could result in serious personal injury.

- Remove the battery.
- Remove the pad by pulling it down and away from the nose (See fig.3).
- To replace the pad, fit it into place over the nose and push up to reseat.

On-board storage for the pad is located on the magazine of the tool. An extra no-mar pad (N) is provided in the on-board storage area (See fig.1).



CONNECTING AND REMOVING BATTERY

IMPORTANT!

The battery pack is not charged when it is purchased. Before using the power tool for the first time, place the battery pack in the battery charger and charge. Make sure to read all safety precautions, and follow the instructions in the battery charger section.

To install the battery pack

To install the battery pack into the bottom of the handle, align the rails of the battery pack with the rails in the handle and push the battery into the handle. To connect the battery, slide the battery pack fully forward. Until the latch locks into place.

To remove the battery pack

Press the battery release button ,Slide the battery pack backward, and then pull or lift the battery out of the tool .



WARNING:

Follow these instructions in order to avoid injury and to reduce the risk of electric shock or fire:

- Replace the battery pack or the charger immediately if the battery case or charger cord is damaged.
- Verify that the battery pack is removed before inspecting, adjusting, or performing maintenance on any part of the power tool.
- Read, understand, and follow the instructions.

OPERATING INSTRUCTION



WARNING: Read and thoroughly understand all instructions and safety information before operating this tool. Failure to do so may cause serious injury or death. Do not allow anyone to operate this tool who has not read this manual. The tool can be dangerous if assembled or used improperly. Do not operate this tool if you have doubts or questions concerning safe operation. Call our customer service department at 1-800-791-9458 to address these concerns.



WARNING: Never point this nailer at yourself or another person! Always pay attention to the direction this nailer is pointed to reduce the risk of serious injury.

ADJUSTING DEPTH



WARNING: It is advisable to test the depth of drive on a scrap workpiece to determine the required depth for the application.

The driving depth of the fasteners is adjustable. To adjust the depth, use the drive depth adjustment wheel(D) on the top of the tools nose.

- Rotate the depth adjustment wheel in a clockwise direction when the nose of the tool is pointed away from you to increase the fastener depth of drive.
- Rotate the depth adjustment wheel in a counter-clockwise direction when the nose of the tool is pointed away from you to decrease the depth of drive.

DRIVING NAILS



WARNING: Never wedge or hold back the workpiece contact mechanism during operation of the tool. Doing so could result in possible serious injury.



WARNING: Always know the operational mode of the tool before use. Failure to know the operational mode could result in death or serious personal injury.

Single sequential actuation mode

Single sequential actuation provides the most accurate nail placement.

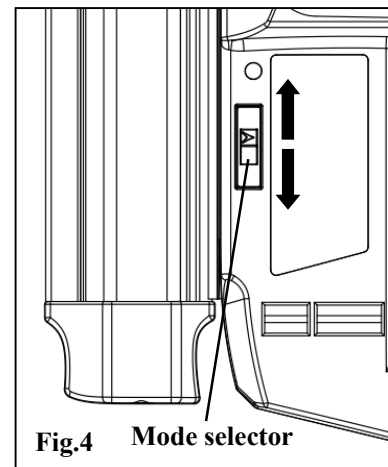
1. Remove battery pack from the tool .
2. Slide the selector up to the single sequential actuation mode(See fig.4).
3. Reinstall the battery, reactivate tool.
4. Place the contact trip against the workpiece and pull the trigger to drive a nail.
5. Release the trigger after each operation.

Contact actuation mode

Contact actuation allows very fast repetitive nail placement.

1. Remove battery pack from the tool.
2. Slide the selector down to the contact actuation mode (See fig.4).
3. Reinstall the battery, reactivate tool.
4. Pull the trigger first and then place the contact trip against the workpiece.

NOTE: For the next actuation, you do not need to release the trigger. Hold trigger until drive cycle is complete.



ANTI DRY FIRE MECHANISM

This tool is equipped with an anti dry fire mechanism. It automatically stops driving nails when the remaining nails finish. To resume operation, reload the tool with nails.

LED WORKLIGHT

Press LED worklight grip switch (A) while firmly holding tool during operation.

There is a LED worklight on each side of the nailer. The worklights turn on upon activation of the trigger, or depressing the contact trip. The lights will automatically shut off after 15 seconds unless tool remains in use.

NOTE: These worklights are for lighting the immediate work surface and are not intended to be used as flashlights.

INDICATOR LIGHT

- Jammed nail indicator: LED red flashing.
- Low battery: LED red
- Overheat: LED green flashing
- No nails: LED green

CLEARING JAMMED NAILS/STAPLES



WARNING: Remove the battery pack before removing nails or clearing a jammed nail. Failure to do so could result in serious personal injury. A jammed nail must be cleared before using the nailer again.

This Nailer is designed with the unjammed nails device, you can only open the magazine and then the jammed nails/staples will be dropped out.

Occasionally, a fastener may be jammed in the firing mechanism of the tool, making the tool inoperable. To remove a jammed fastener, follow the steps below:

1. Press magazine latch and open sliding magazine.
2. The jammed nails/staples will dropped out, if not, just use a nail or some sharp items to take out the jammed nails.

MAINTENANCE



WARNING: Any time inspection, maintenance, and cleaning are done be sure to remove the battery from the tool and empty all fasteners from the magazine.



WARNING: When servicing, use only identical replacement parts. Use of any other parts could create a hazard or cause product damage.



WARNING: Avoid using solvents when cleaning plastic parts. Most plastics are susceptible to damage from various types of solvents and may be damaged by them. Use clean fabric or tissues to remove the dirt, dust, oil, grease, etc.

CLEANING THE NAIL CHANNEL

Problems with driving nails or cycling of nails while firing may be due to glue residue from the nail strips. If this is the case clean the area around the driving mechanism.

- Remove the tool battery.
- Slide magazine cover down to remove nails and expose the nail channel.
- Use a small amount of air tool oil on a clean cloth to swab and wipe down the nail channel, until all of glue are removed.
- Reload nails in the magazine and close the magazine cover.

COLD WEATHER OPERATION

When operating tools at temperatures below freezing:

- Keep tool as warm as possible prior to use.
- Actuate the tool 5 or 6 times into scrap lumber before using.

HOT WEATHER OPERATION

Tool should operate normally. However, keep tool out of direct sunlight as excessive heat can deteriorate bumpers and other rubber parts resulting in increased maintenance.

TROUBLE SHOOTING

The following form lists the common operating system with problem and solutions. Please read the form carefully and follow it.

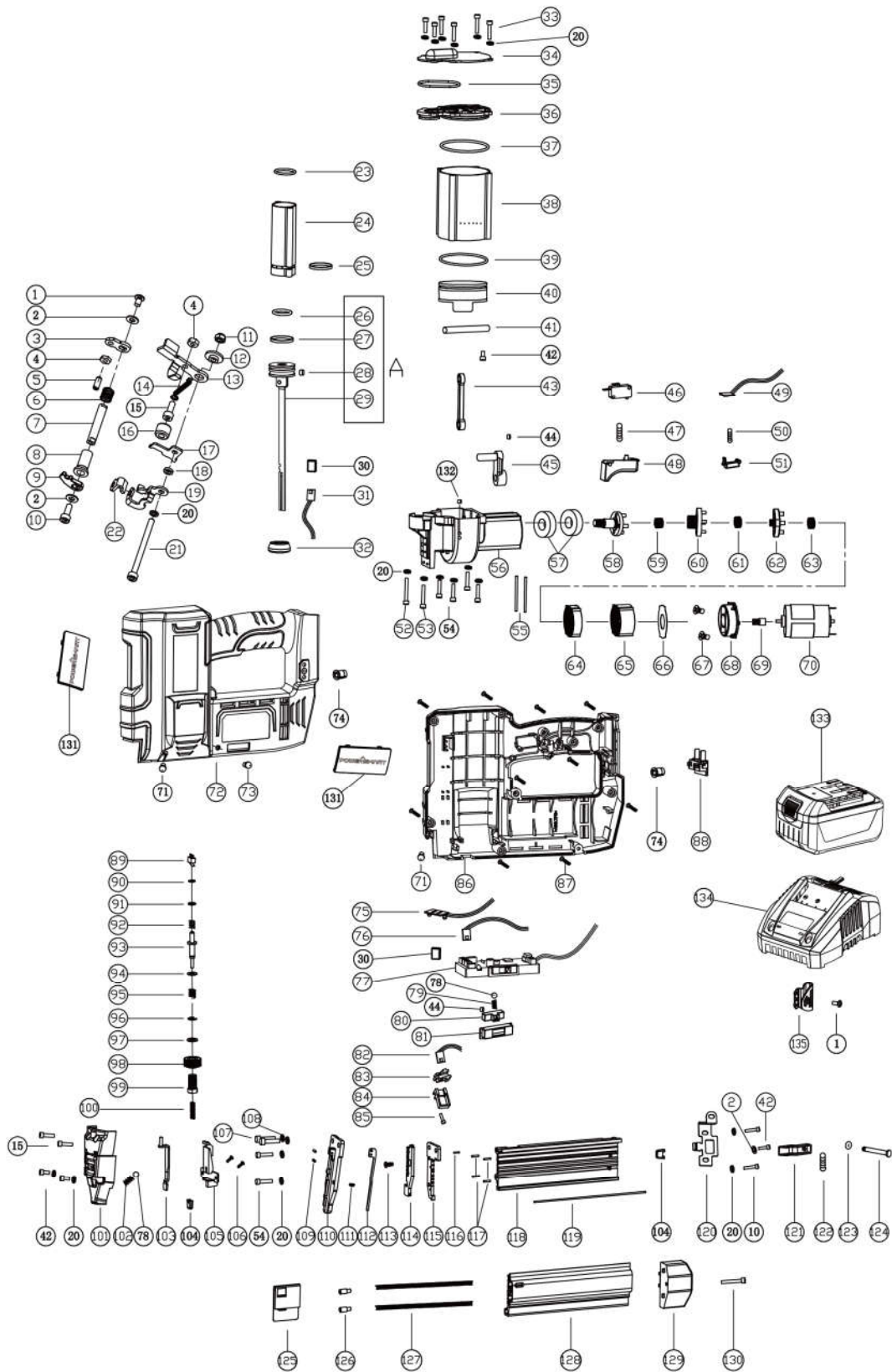


WARNING: If any of the following symptoms appears during your operating, stop using the tool immediately, or serious personal injury could result. Only a qualified persons or an authorized service center can perform repairs or replacement of tool.

Disconnect tool from air supply before attempting repair or adjustment. When replacing O-rings or Cylinder, lubricate with air tool oil before assembly.

PROBLEMS	POSSIBLE CAUSES	REMEDIES
Work-contacting element does not depress fully - tool does not operate	Low nails Work-contacting element is jammed	Replenish nails Remove battery and clear debris
Tool jams.	1. Incorrect or damaged fasteners. 2. Damaged or worn driver guide. 3. Magazine or nose screw loose. 4. Magazine is dirty.	1. Change and use correct fastener. 2. Check and replace the driver. 3. Tighten the magazine. 4. Clean the magazine.
LED red LED red flash rapidly LED green LED green flash rapidly	Battery is low or has no charge Tool jams No nails Tool is hot	Recharge battery Clearing jammed nails Replenish nails Allow tool to cool
Tool will not drive a fastener or cycles without driving a fastener	Driving mechanism is dirty	Clean the nail channel as described in the Maintenance section of the manual
Note: Repairs should be carried out by a qualified person.		

EXPLODED VIEW & PARTS LIST



Item	Stock#	Description	Qty.	Item	Stock#	Description	Qty.
1	PS76170A-001	Bolt M4X8	2	35	PS76170A-035	O-ring 42.5X2.5	1
2	PS76170A-002	Washer	3	36	PS76170A-036	Cylinder Seat	1
3	PS76170A-003	Short Rod	1	37	PS76170A-037	O-ring 56X2.4	1
4	PS76170A-004	Nut	2	38	PS76170A-038	Big Cylinder	1
5	PS76170A-005	Bolt	1	39	PS76170A-039	Big Piston Ring	1
6	PS76170A-006	Spring	1	40	PS76170A-040	Big Piston	1
7	PS76170A-007	Connecting Pipe	1	41	PS76170A-041	Big Piston Pin	1
8	PS76170A-008	Cover	1	42	PS76170A-042	Bolt M4X6	4
9	PS76170A-009	Fixed Plate	1	43	PS76170A-043	Long shaft	1
10	PS76170A-010	Bolt M4X8	3	44	PS76170A-044	Magnet	2
11	PS76170A-011	Nut M4	1	45	PS76170A-045	Short Shaft Assembly	1
12	PS76170A-012	Copper Washer	1	46	PS76170A-046	Trigger Microswitch	1
13	PS76170A-013	Long Rod	1	47	PS76170A-047	Trigger Spring	1
14	PS76170A-014	Spring	1	48	PS76170A-048	Trigger	1
15	PS76170A-015	Nut M4X10	3	49	PS76170A-049	Indicator Light Switch	1
16	PS76170A-016	Buffer cover	1	50	PS76170A-050	Button Spring	1
17	PS76170A-017	Spacer	1	51	PS76170A-051	Indicator Light Button	1
18	PS76170A-018	Guide Sleeve	1	52	PS76170A-052	Bolt M4X35	1
19	PS76170A-019	Limit Board	1	53	PS76170A-053	Bolt M4X30	1
20	PS76170A-020	Spring Washer	19	54	PS76170A-054	Bolt M4X20	6
21	PS76170A-021	Bolt M4X50	1	55	PS76170A-055	Steel Wire	2
22	PS76170A-022	Guide Plate	1	56	PS76170A-056	Gear Box	1
23	PS76170A-023	O-ring	1	57	PS76170A-057	Bearing	2
24	PS76170A-024	Small Cylinder	1	58	PS76170A-058	Output Shaft Assembly	1
25	PS76170A-025	Rubber Ring	1	59	PS76170A-059	Gear 3	4
26	PS76170A-026	Small Piston Ring	1	60	PS76170A-060	Carrier 2	1
27	PS76170A-027	Piston Rubber Ring	1	61	PS76170A-061	Gear 2	4
28	PS76170A-028	Magnet	1	62	PS76170A-062	Carrie 1	1
29	PS76170A-029	Piston	1	63	PS76170A-063	Gear 1	3
30	PS76170A-030	Hall Sensor Case	2	64	PS76170A-064	Gear Ring 36	1
31	PS76170A-031	Hall Controller2	1	65	PS76170A-065	Gear Ring 49	1
32	PS76170A-032	Bumper	1	66	PS76170A-066	Gear Washer	1
33	PS76170A-033	Bolt M4X16	6	67	PS76170A-067	Bolt M4x8	2
34	PS76170A-034	Cyliner Cover	1	68	PS76170A-068	Motor Fixed Seat	1

Item	Stock#	Description	Qty.	Item	Stock#	Description	Qty.
69	PS76170A-069	Motor Gear	1	103	PS76170A-103	Safty Guard	1
70	PS76170A-070	Motor	1	104	PS76170A-104	Safty Cover	2
71	PS76170A-071	Light Pipe	2	105	PS76170A-105	Pressure Plate	1
72	PS76170A-072	Nailer Body 1	1	106	PS76170A-106	Bolt ST2.9X6.5	2
73	PS76170A-073	Display Light Pipe	1	107	PS76170A-107	Bolt M5X20	2
74	PS76170A-074	Lock Sleeve	2	108	PS76170A-108	Spring Washer	2
75	PS76170A-075	Working Indicator Light	1	109	PS76170A-109	Pin 2X6	2
76	PS76170A-076	Hall Controller1	1	110	PS76170A-110	Drive Guide Cover	1
77	PS76170A-077	Circuit Controller	1	111	PS76170A-111	Spring	1
78	PS76170A-078	Steel Ball ϕ 2.5	2	112	PS76170A-112	Separated Strip	1
79	PS76170A-079	Spring	1	113	PS76170A-113	Bolt	1
80	PS76170A-080	Switch	1	114	PS76170A-114	Drive Guide Cover Subplate	1
81	PS76170A-081	Fixed Seat	1	115	PS76170A-115	Drive Guide Cover Main Plate	1
82	PS76170A-082	Light Sensor	1	116	PS76170A-116	Pin 1.5X10	1
83	PS76170A-083	Light Sensor 1	1	117	PS76170A-117	Pin 2X10	4
84	PS76170A-084	Light Sensor 2	1	118	PS76170A-118	Fixed Magazine	1
85	PS76170A-085	Bolt ST2.2x9.5	1	119	PS76170A-119	Inlay Slice	1
86	PS76170A-086	Nailer Body 1	1	120	PS76170A-120	Support Seat	1
87	PS76170A-087	Bolt ST3.5X16	10	121	PS76170A-121	Fixed Lever	1
88	PS76170A-088	Insert Assembly	1	122	PS76170A-122	Spring	1
89	PS76170A-089	Safty Guard Microswitch	1	123	PS76170A-123	Pin	1
90	PS76170A-090	Washer	1	124	PS76170A-124	Cover Plate Pin	1
91	PS76170A-091	Small Washer	1	125	PS76170A-125	Pusher	1
92	PS76170A-092	Spring	1	126	PS76170A-126	Pusher Pipe	2
93	PS76170A-093	Trigger Valve Stem	1	127	PS76170A-127	Pusher Spring	2
94	PS76170A-094	Washer 5	1	128	PS76170A-128	Movable Magazine	1
95	PS76170A-095	Spring	1	129	PS76170A-129	Magazine Back Seat	1
96	PS76170A-096	Split washer	1	130	PS76170A-130	Bolt M4X25	1
97	PS76170A-097	Washer	1	131	PS76170A-131	Brand Sticker	2
98	PS76170A-098	Nut	1	132	PS76170A-132	Aluminum Plug	1
99	PS76170A-099	Nut	1	133	PS76440B	Battery	1
100	PS76170A-100	Compressed Spring	1	134	PS76018C	Charger	1
101	PS76170A-101	Pressing Plate	1	135	PS76170A-135	Belt Hook	1
102	PS76170A-102	Spring	1				

TWO (2) YEARS LIMITED WARRANTY

PowerSmart® is committed to building tools that are dependable for years. Our warranties are consistent with our commitment and dedication to quality.

TWO (2) YEARS LIMITED WARRANTY OF POWERSMART PRODUCTS FOR HOME USE.

PowerSmart ("Seller") warrants to the original purchaser only, that all PowerSmart consumer power tools will be free from defects in material or workmanship for a period of two (2) years from date of purchase. Ninety (90) days for all PowerSmart Products, if the tool is used for professional or commercial use.

SELLER'S SOLE OBLIGATION AND YOUR EXCLUSIVE REMEDY under this Two (2) Years Limited Warranty and, to the extent permitted by law, any warranty or condition implied by law, shall be the repair or replacement of parts, without charge, which are defective in material or workmanship and which have not been misused, carelessly handled, or misrepaired by persons other than Seller or Authorized Service Center. To make a claim under this Limited Warranty, you must return the entire power tool product; transportation prepaid, to PowerSmart Include a legible copy of the original receipt, which lists the date of purchase (month and year) and the name of the company purchased from.

THIS LIMITED WARRANTY DOES NOT APPLY TO ANY ACCESSORY ITEMS INCLUDED WITH THE TOOL SUCH AS CIRCULAR SAW BLADES OTHER RELATED ITEMS OR TO ANY REPLACEMENT PARTS LISTED UNDER MAINTENANCE.

ANY IMPLIED WARRANTIES SHALL BE LIMITED IN DURATION TO TWO (2) YEARS FROM DATE OF PURCHASE. SOME STATES IN THE U.S. AND SOME CANADIAN PROVINCES DO NOT ALLOW LIMITATIONS ON HOW LONG AN IMPLIED WARRANTY LASTS, SO THE ABOVE LIMITATION MAY NOT APPLY TO YOU.

IN NO EVENT SHALL SELLER BE LIABLE FOR ANY INCIDENTAL OR CONSEQUENTIAL DAMAGES (INCLUDING BUT NOT LIMITED TO LIABILITY FOR LOSS OF PROFITS) ARISING FROM THE SALE OR USE OF THIS PRODUCT. SOME STATES IN THE U.S. AND SOME CANADIAN PROVINCES DO NOT ALLOW THE EXCLUSION OR LIMITATION OF INCIDENTAL OR CONSEQUENTIAL DAMAGES, SO THE ABOVE LIMITATION OR EXCLUSION MAY NOT APPLY TO YOU.

THIS LIMITED WARRANTY GIVES YOU SPECIFIC LEGAL RIGHTS, AND YOU MAY ALSO HAVE OTHER RIGHTS WHICH VARY FROM STATE TO STATE IN THE U.S., PROVINCE TO PROVINCE IN CANADA AND FROM COUNTRY TO COUNTRY.

For questions / comments, technical assistance or repair parts –
Please call toll free at: 1-800-791-9458 (M-F 9am – 5pm EST)
Email: support@amerisuninc.com

SAVE YOUR RECEIPTS. THIS WARRANTY IS VOID WITHOUT THEM.