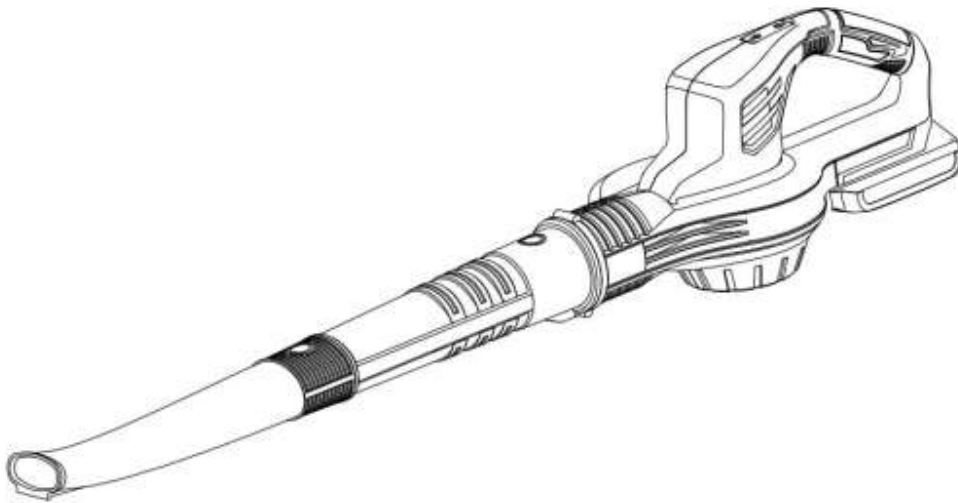


# **POWERSMART**<sup>®</sup>

## **INSTRUCTION MANUAL**

### **20V Cordless Blower**

Model # PS76101B



Have product questions or need technical support? Please scan the QR code to enter our official website and contact us!

Website: [www.powersmartusa.com](http://www.powersmartusa.com)

Toll free: 1-800-791-9458 M-F 9-5 EST

Email: [support@amerisuninc.com](mailto:support@amerisuninc.com)



Website



## **CONTENTS**

|  |    |
|--|----|
| Technical data.....                        | 3  |
| Introduction.....                          | 4  |
| Safety information.....                    | 4  |
| General safety rules.....                  | 5  |
| Specific safety rules for blower.....      | 9  |
| Symbols.....                               | 11 |
| Knowing your blower.....                   | 12 |
| Assembly.....                              | 13 |
| Operating instruction.....                 | 15 |
| Maintenance.....                           | 16 |
| Environmentally safe battery disposal..... | 17 |
| Exploded view & parts list.....            | 18 |
| Warranty statement.....                    | 20 |

## **TECHNICAL DATA**

|                                 |   |
|---------------------------------|---|
| 20V Cordless blower             | Model # PS76101B                                  |
| Power input:                    | 20V   |
| Blower speed:                   | 150MPH  |
| No load speed:                  | 9000/15000 RPM                                    |
| Battery type:                   | 20V Lithium-ion, 2.0Ah                            |
| Battery model:                  | PS76020B  |
| Charging time:                  | 1.3 Hours   |
| Charger model:                  | PS76018C  |
| Charger rating:                 | Input: 120VAC,60Hz, 0.54 A; Output: 20V DC, 1.3 A |
| Package dimensions (L x W x H): | 16.9 x 7.9 x 7.3 inches                           |
| Weight:                         | 4.9 lb.   |

## **INTRODUCTION**

Thank You for Purchasing a PowerSmart® Product. This manual provides information regarding the safe operation and maintenance of this product. Every effort has been made to ensure the accuracy of the information in this manual. PowerSmart® reserves the right to change this product and specifications at any time without prior notice.

Please keep this manual available to all users during the entire life of the power tool.



This manual contains special messages to bring attention to potential safety concerns, power tool damage as well as helpful operating and servicing information. Please read all the information carefully to avoid injury and machine damage.

## **QUESTIONS? PROBLEMS?**

Please contact our Customer Service Dept. with any questions and/or comments, either by Email: [support@amerisuninc.com](mailto:support@amerisuninc.com), or Toll Free at (800)791-9458. We are available Mon-Fri 9am-5pm EST to help solve any issues that you might encounter.

## **SAFETY INFORMATION**

Before operating this power tool , read and observe all warnings, cautions, and instructions on the power tool and in this Owner's Manual.

NOTE: The following safety information is not meant to cover all possible conditions and situations that may occur. Read the entire Owner's Manual for safety and operating instructions. Failure to follow instructions and safety information could result in serious injury or death.

This safety alert symbol is used to identify safety information about hazards that can result in personal injury.



A signal word (DANGER, WARNING, or CAUTION) is used with the alert symbol to indicate the likelihood and the potential severity of injury. In addition, a hazard symbol may be used to represent the type of hazard.

**DANGER** Indicates a hazard, which, if not avoided, will result in death or serious injury.

**WARNING** Indicates a hazard, which, if not avoided, could result in death or serious injury.

**CAUTION** Indicates a hazard, which, if not avoided, might result in minor or moderate injury.

**CAUTION** Without the alert symbol, indicates a situation that could result in damage.

## **GENERAL SAFETY RULES**

Safety is a combination of common sense, staying alert, and knowing how your blower works.  
**SAVE THESE SAFETY INSTRUCTIONS.**



**WARNING:** Do not operate this unit until you read this instruction manual for safety, operation and maintenance instructions. Failure to follow all instructions listed below may result in electric shock, fire, and/or serious personal injury.

### **WORK AREA SAFETY**

- Keep work area clean and well lit. Cluttered or dark areas invite accidents.
- Do not operate power tools in explosive atmospheres, such as in the presence of flammable liquids, gases or dust. Power tools create sparks which may ignite the dust or fumes.
- Keep children and bystanders away . All visitors and pets should be kept a safe distance away from the work area.

### **ELECTRICAL SATETY**

#### **Grounding instructions**

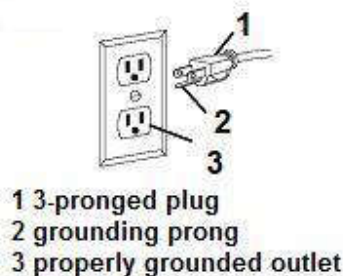
IN THE EVENT OF A MALFUNCTION OR BREAKDOWN, grounding provides the path of least resistance for electric current and reduces the risk of electric shock. This tool is equipped with an electric cord that has an equipment grounding conductor and a grounding plug. The plug **MUST** be plugged into a matching outlet that is properly installed and grounded in accordance with ALL local codes and ordinances.

**DO NOT MODIFY THE PLUG PROVIDED.** If it will not fit the outlet, have the proper outlet installed by a licensed electrician.

**IMPROPER CONNECTION** of the equipment grounding conductor can result in electric shock. The conductor with the green insulation (with or without yellow stripes) is the equipment grounding conductor. If repair or replacement of the electric cord or plug is necessary, **DO NOT** connect the equipment grounding conductor to a live terminal.

**CHECK** with licensed electrician or service personnel if you do not completely understand the grounding instructions, or if you are not sure if the tool is properly grounded.

**USE ONLY THREE-WIRE EXTENSION CORDS** that have 3-pronged plugs and outlets that accept the tool's plug as shown in Fig. A. Repair or replace a damaged or worn cord immediately.



**CAUTION:** In all cases, make certain the outlet in question is properly grounded. If you are not sure if it is, have a licensed electrician check the outlet.



**WARNING:** Do not expose to rain or use in damp locations.

### Guidelines for using extension cords

Make sure your extension cord is in good condition. When using an extension cord, be sure to use one heavy enough to carry the current your product will draw. An undersized cord will cause a drop in line voltage resulting in loss of power and overheating. The table below shows the correct size to be used according to cord length and nameplate ampere rating. If in doubt, use the next heavier gauge. The smaller the gauge number, the heavier the cord.

**Minimum Gauge for Extension Cords (AWG)**  
(When using 120 V only)

| Ampere Rating |               | Total Length of Cord in feet |    |                 |     |
|---------------|---------------|------------------------------|----|-----------------|-----|
| More Than     | Not More Than | 25                           | 50 | 100             | 150 |
| 0             | 6             | 18                           | 16 | 16              | 14  |
| 6             | 10            | 18                           | 16 | 14              | 12  |
| 10            | 12            | 16                           | 16 | 14              | 12  |
| 12            | 16            | 14                           | 12 | Not Recommended |     |

Make sure your extension cord is properly wired and in good condition. Always replace a damaged extension cord or have it repaired by a qualified person before using it.

Protect your extension cords from sharp objects, excessive heat and damp or wet areas.

Use a separate electrical circuit for your tools. This circuit must not be less than a #12 wire and should be protected with a 15 A time-delayed fuse. Before connecting the motor to the power line, make sure the switch is in the OFF position and the electric current is rated the same as the current stamped on the motor nameplate. Running at a lower voltage will damage the motor.



**WARNING:** This tool must be grounded while in use to protect the operator from electric shock.

### PERSONAL SAFETY

- All visitors, children and pets should stay at a safe distance from the work area. Keep bystanders away.
- Stay alert. Watch what you are doing. Use common sense. Do not operate blower when you are tired or under the influence of drugs, alcohol or medications.
- Use right appliance. Do not use an appliance for any job except that for which it is intended.
- Don't wear loose clothing or jewelry. Wear protective hair covering to contain long hair. They can be caught in moving parts. Use of rubber gloves and substantial footwear is recommended when working outdoors.

- Wear safety glasses with side shields or goggles that are marked to comply with ANSI Z87.1 standard when operating this product. Use face or dust mask if environment is dusty.
- Do not operate the equipment while barefoot or when wearing sandals or similar lightweight footwear. Wear protective footwear that will protect your feet and improve your footing on slippery surfaces.
- Keep all parts of your body away from any moving part.
- Do not overreach. Keep firm footing and balance. Overreaching can result in loss of balance.
- Prevent unintentional starting. Ensure the switch is in the off-position before connecting to power source and/or battery pack, picking up or carrying the tool. Carrying power tools with your finger on the switch or energizing power tools that have the switch on invites accidents.
- Do not use on a ladder or unstable support. Stable footing on a solid surface enables better control of the power tool in unexpected situations.
- If devices are provided for the connection of dust extraction and collection facilities, ensure these are connected and properly used. Use of dust collection can reduce dust-related hazards.



**WARNING:** Some dust created by power sanding, sawing, grinding, drilling and other construction activities contains chemicals known to cause cancer, birth defects or other reproductive harm. Some examples of these chemicals are:

- Lead from lead-based paints,
- Crystalline silica from bricks and cement and other masonry products,
- Arsenic and chromium from chemically-treated lumber.

Your risk from these exposures varies, depending on how often you do this type of work. To reduce your exposure to these chemical: work in a well-ventilated area, and work with approved safety equipment, such as those dust masks that are specially designed to filter out microscopic particles.

## POWER TOOL USE AND CARE

- Know this tool. Read manual carefully, learn its applications and limitations, as well as the specific potential hazards related to this tool.
- Check for misalignment or binding of moving parts, breakage of parts, and any other condition that may affect the power tools operation. If damaged, have the power tool serviced before using. Many accidents are caused by poorly maintained tools.
- Do not force power tool. Use the correct power tool for your application. The correct power tool will do the job better and safer at the rate for which it is designed.
- Disconnect the plug from the power source and/or the battery pack from the power tool before making any adjustments, changing accessories, or storing power tools. Such preventive safety measures reduce the risk of starting the power tool accidentally.
- Store idle power tools out of reach of children and other untrained persons. Power tools are dangerous in the hands of untrained users.
- Check operation of the tool before use. Do not use the tool if the work piece contact mechanism is not working correctly as accidental driving of a fastener may occur.
- Do not use the power tool if switch does not turn it on or off. Any power tool that cannot be controlled with the switch is dangerous and must be repaired.
- Do not operate the tool if it does not contain a legible warning label.
- Use the power tool, accessories and tool bits etc. in accordance with these instructions, taking into account the working conditions and the work to be performed. Use of the power tool for operations different from those intended could result in a hazardous situation.
- Save these instructions. Refer to them frequently and use them to instruct others who may use this tool. If you lend this tool to someone else, also lend them these instructions.

## BATTERY TOOL USE AND CARE



**WARNING:** USE ONLY POWERSMART APPROVED REPLACEMENT BATTERIES, OTHER BATTERIES MAY CAUSE INJURY OR DAMAGE TO THE BLOWER. Use with POWERSMART 20V battery.

### Battery safety rules

- Battery tools do not have to be plugged into an electrical outlet; therefore, they are always in operating condition. Be aware of possible hazards when not using your battery tool or when changing accessories. Following this rule will reduce the risk of electric shock, fire, or serious personal injury.
- Do not place battery tools or their batteries near fire or heat. This will reduce the risk of explosion and injury.
- Do not crush, drop or damage battery pack. Do not use a battery pack or charger that has been dropped or received a sharp blow. A damaged battery is subject to explosion. Properly dispose of a dropped or damaged battery immediately.
- Batteries can explode in the presence of a source of ignition, such as a pilot light. To reduce the risk of serious personal injury, never use any cordless product in the presence of open flame. An exploded battery can propel debris and chemicals. If exposed, flush with water immediately. Do not charge battery tool in a damp or wet location. Following this rule will reduce the risk of electric shock.
- For best results, your battery tool should be charged in a location where the temperature is more than 45°F but less than 104°F. To reduce the risk of serious personal injury, do not store outside or in vehicles.
- Under extreme usage or temperature conditions, battery leakage may occur. If liquid comes in contact with your skin, wash immediately with soap and water. If liquid gets into your eyes, flush them with clean water for at least 10 minutes, then seek immediate medical attention. Following this rule will reduce the risk of serious personal injury.
- When battery pack is not in use, keep it away from other metal objects like: paper clips, coins, keys, nails, screws, or other small metal objects that can make a connection from one terminal to another. Shorting the battery terminals together may cause sparks, burns, or a fire.
- Always remove battery pack from your tool when you are assembling parts, making adjustments, cleaning, or when not in use. Removing battery pack will prevent accidental starting that could cause serious personal injury.
- Always remove battery pack before storing the device. When battery becomes fully charged, unplug the charger from the power supply and remove the battery pack from the charger.
- Always wear eye protection with side shields marked to comply with ANSI Z87.1, along with hearing protection. Failure to do so could result in objects being thrown into your eyes and other possible serious injuries.
- Keep battery pack dry, clean, and free from oil and grease. Always use a clean cloth when cleaning. Never use brake fluids, gasoline, petroleum-based products, or any solvents to clean battery pack.
- Do not open or mutilate the battery. Released electrolyte is corrosive and may cause damage to the eyes or skin. It may be toxic if swallowed.



## Proper care for battery

### Off-season storage

To obtain the longest possible battery life, we suggest the following:

- Remove the battery pack from the charger once it is fully charged and ready for use.

For battery pack storage longer than 30 days:

- Store the battery pack where the temperature is below 80°F and away from moisture.
- Store battery packs in a fully charged condition.
- Every two months of storage, charge the pack as normal.

## Charger safety rules

- Charge the battery in a dry area that is protected from the weather. Do not expose the blower or the charger to rain. Do not charge the battery in a wet location. Operate the battery charger in temperatures between 45° and 104°F. In order to reduce the risk of electric shock, use only the charger that is provided by the manufacturer to charge the battery.
- DO NOT ABUSE THE CHARGE CORD. Never carry the charger by the cord. Do not disconnect the charger from the outlet by pulling the charger cord.
- Do not use a damaged charger. Replace the charger cords or the charger immediately.
- Keep the blower and the charger away from water, heat sources (radiators, heaters, stoves, etc.), flames, and chemicals.
- Make sure the battery pack is secured in the charger before beginning operation.
- The battery pack will become slightly warm to the touch while charging. This is normal and does not indicate a problem.
- Do not place the charger and battery pack in an area of extreme heat or cold. They will work best at normal room temperature.
- When batteries become fully charged, unplug the charger from the power supply and remove the battery pack.



**WARNING:** When transporting or servicing unit, always remove the battery.

## SERVICE

- Tool service must be performed only by qualified repair personnel. Service or maintenance performed by unqualified personnel could result in a risk of injury.
- When servicing a tool, use only identical replacement parts. Follow instructions in the Maintenance section of this manual. Use of unauthorized parts or failure to follow Maintenance Instructions may create a risk of electric shock or injury.

## SPECIFIC SAFETY RULES FOR BLOWER


- For household use only.
- Do not put any object into openings. Do not use with any opening blocked; keep free of dust, lint, hair, and anything that may reduce air flow.
- Keep hair, loose clothing, fingers, and all parts of body away from openings and moving parts.
- Use extra care when cleaning on stairs.
- Do not use to blow flammable or combustible liquids, such as gasoline, or use in areas where they may be present.

- Remove all hard objects from work area. Do not blow debris in the direction of people, animals or property.
- Use only accessories provided. Keep guards in place and in working order.
- Maintain labels and nameplates on the appliance. These carry important safety information.
- People with pacemakers should consult their physician(s) before use. Electromagnetic fields in close proximity to heart pacemaker could cause pacemaker interference or pacemaker failure.
- The warnings, precautions, and instructions discussed in this instruction manual cannot cover all possible conditions and situations that may occur. It must be understood by the operator that common sense and caution are factors which cannot be built into this product, but must be supplied by the operator.
- Do not operate in poor lighting.
- Do not allow to be used as a toy. Close attention is necessary when used by or near children.
- Keep all bystanders, children, and pets at least 50 ft. away.
- If the power supply cord is damaged, it must be replaced only by the manufacturer or by an authorized service center to avoid risk.
- Never run the unit without the proper equipment attached. Always ensure the sweeper tubes are installed.
- Maintain tool with care. Follow instructions for proper maintenance. Do not attempt to clear clogs from tool without first removing the battery.
- Do not allow children under the age of 14 to operate this blower. Children who are 14 years of age and older must read and understand the operating instructions and safety rules in this manual, and must be trained and supervised by a parent.
- Use extreme care when approaching blind corners, doorways, shrubs, trees, or other objects that may obscure your view of a child who may run into the path of the blower.

## ENVIRONMENTAL PROTECTION



Waste electrical products should not be disposed of with household waste. Please recycle where facilities exist. Check with your local authority or retailer for recycling advice.










 The battery contains material which is hazardous to you and the environment. It must be removed and disposed of separately at a facility that accepts lithium-ion batteries.

## SERVICE

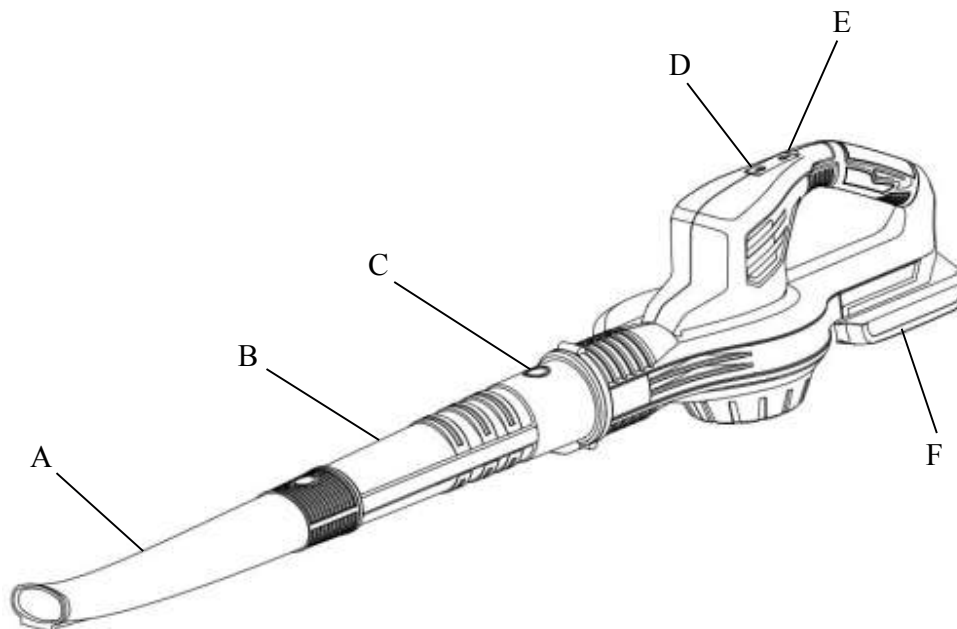
Servicing requires extreme care and knowledge and should be performed only by a qualified service technician. For service we suggest you return the product to your nearest **AUTHORIZED SERVICE CENTER** for repair. When servicing, use only identical replacement parts.

## SYMBOLS

Some of the following symbols may be used on this product. Please study them and learn their meaning. Proper interpretation of these symbols will allow you to operate the product better and safer.

| SYMBOL  | NAME                   | DESIGNATION/EXPLANATION  |
|---|------------------------|--|
| V   | Volts                  | Voltage  |
| A   | Amperes                | Current  |
| Hz  | Hertz                  | Frequency (cycles per second)  |
| W   | Watts                  | Power  |
| min   | Minutes                | Time   |
|    | Safety Alert           | Precautions that involve your safety.  |
|    | Read the user's manual | To reduce the risk of injury, user must read and understand user's manual before using this product. |
|    | Eye protection         | Wear eye protection that is marked to comply with ANSI Z87.1 when operating this equipment.          |
|  | Wet conditions alert   | Do not expose to rain or use in damp locations.  |
|  | Long hair              | Failure to keep long hair away from the air inlet could result in personal injury.                   |
|  | Loose clothing         | Failure to keep loose clothing from being drawn into air intake could result in personal injury.     |
|  | Keep Bystanders away   | Keep all bystanders at least 50 ft. away.  |
|  | Blower tubes           | Do not operate without tubes in place.   |
|  | Electric shock alert   | Beware of electric shock hazard.   |

## **KNOWING YOUR BLOWER**



- |   |                       |   |                               |
|---|-----------------------|---|-------------------------------|
| A | Blower small tube     | B | Blower big tube               |
| C | Blower removal button | D | Variable speed trigger switch |
| E | On/Off trigger switch | F | Battery pack                  |

### **Unpacking**

Unpack the blower and all its parts, and compare against the list below. Do not discard the carton or any packaging materials. Please call 1-800-791-9458 or E-mail us at [support@amerisuninc.com](mailto:support@amerisuninc.com) if any parts are damaged or missing.

Including: Blower / Blower small tube / Blower big tube / 20V Battery and Charger / User manual

## ASSEMBLY



### **WARNING:**

Do not use this product if any parts on the packing list are already assembled to your product when you unpack it. Parts on this list are not assembled to the product by the manufacturer and require customer installation. Use of a product that may have been improperly assembled could result in serious personal injury.



### **WARNING:**

If any parts are damaged or missing do not operate this product until the parts are replaced. Use of this product with damaged or missing parts could result in serious personal injury.



### **WARNING:**

Do not attempt to modify this product or create accessories not recommended for use with this product. Any such alteration or modification is misuse and could result in a hazardous condition leading to possible serious personal injury.



### **WARNING:**

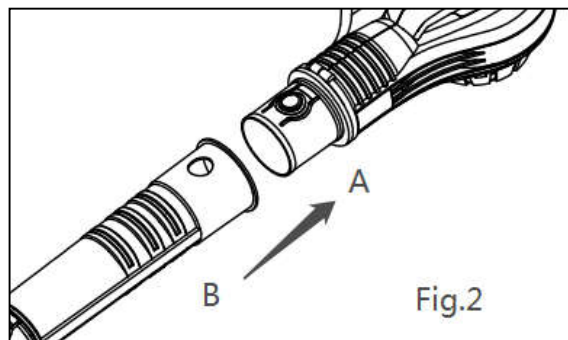
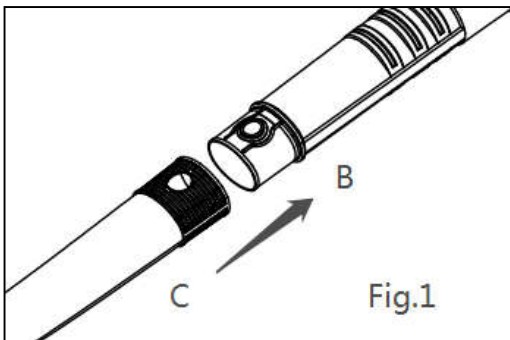
Do not connect to power supply until assembly is complete. Failure to comply could result in accidental starting and possible serious personal injury.

## ASSEMBLY INSTRUCTIONS

### **INSTALLING THE BLOWER TUBE**

**CAUTION:** Always ensure that the tool is switched off and battery is removed before making any adjustments or maintenance procedures.

- Slide the small tube (C) over the big tube (B) until the latch in the big tube is inserted into the end of the opening on the small tube and locks into position. (see fig.1)
- Align the widest end of the big tube (B) with the front opening on the blower (A). (see fig.2)



## CONNECTING AND REMOVING BATTERY

### IMPORTANT!

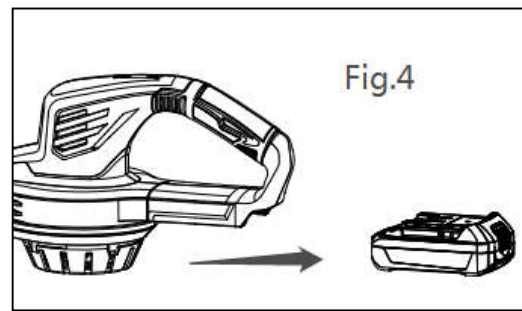
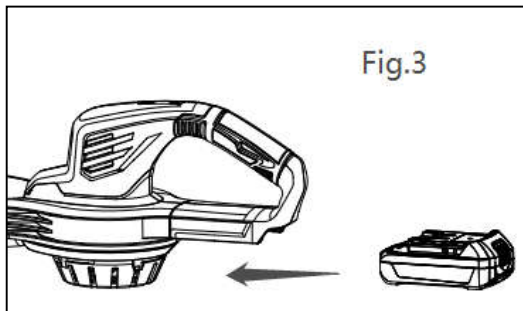
The battery pack is not charged when it is purchased. Before using the power tool for the first time, place the battery pack in the battery charger and charge. Make sure to read all safety precautions, and follow the instructions in the battery charger section.

### To install the battery pack

To install the battery pack into the bottom of the handle, align the rails of the battery pack with the rails in the handle and push the battery into the handle. To connect the battery, slide the battery pack fully forward. Until the latch locks into place. (see fig.3)

### To remove the battery pack

Press the battery release button, Slide the battery pack backward, and then pull or lift the battery out of the tool. (see fig.4)



**WARNING:** Follow these instructions in order to avoid injury and to reduce the risk of electric shock or fire:

- Replace the battery pack or the charger immediately if the battery case or charger cord is damaged.
- Verify that the battery pack is removed before inspecting, adjusting, or performing maintenance on any part of the power tool.
- Read, understand, and follow the instructions.

## **OPERATING INSTRUCTIONS**



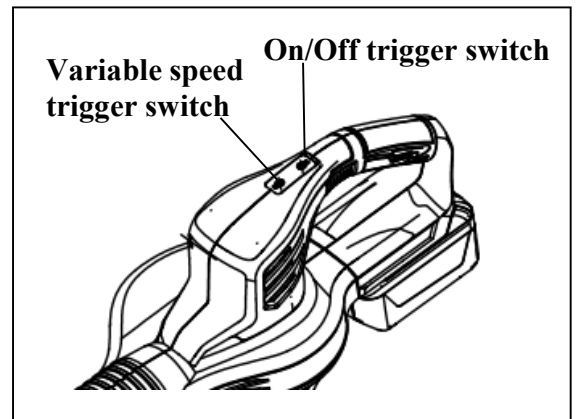
**WARNING:** Read and thoroughly understand all instructions and safety information before operating this blower. Failure to do so may cause serious injury or death. Do not allow anyone to operate this blower who has not read this manual. A blower can be dangerous if assembled or used improperly. Do not operate this blower if you have doubts or questions concerning safe operation. Call our customer service department at 1-800-791-9458 to address these concerns.

### **Variable speed trigger switch**

A function for regulating the speed of airflow, increasing or decreasing air flow.

### **Starting/Stopping the blower**

- Install the battery pack.(Refer to install battery pack)
- To press the On/Off trigger switch until working.
- To press the On/Off trigger switch when you don't use it.



### **Use the blower**

- Blow debris or grass clipping off of driveways ,sidewalk ,patios,parks,parking lots,etc.
- Gather the grass clipping,straw,or leaves into piles.
- Remove debris from corner,around joints.and between bricks.

## **MAINTENANCE**



**WARNING:** To avoid serious personal injury, always remove the battery pack from the product before inspecting, cleaning or performing any maintenance.



**WARNING:** Always wear eye protection with side shields marked to comply with ANSI Z87.1. If operation is dusty, also wear a dust mask.



**WARNING:** When servicing, use only identical replacement parts. Use of any other parts may create a hazard or cause product damage.



**WARNING:** Never use water or any liquids to clean or rinse off your product and do not expose the product to rain or wet conditions. Store indoors in a dry area. Corrosive liquids, water, and chemicals can enter the product's electronic components and cause damage, which can result in a short circuit, increased risk of fire, and serious personal injury. Remove any buildup of dirt and debris by wiping the product clean with a dry cloth occasionally.

**Note:** Periodically inspect the entire product for damaged, missing, or loose parts such as screws, nuts, bolts, caps, etc. Tighten securely all fasteners and caps and do not operate this product until all missing or damaged parts are replaced.

### **GENERAL MAINTENANCE**

Avoid using solvents when cleaning plastic parts. Most plastics are susceptible to damage from various types of commercial solvents and may be damaged by their use. Use clean cloths to remove dirt, dust, oil, grease, etc.

Do not at any time let brake fluids, gasoline, petroleum based products, penetrating oils, etc., come in contact with plastic parts. Chemicals can damage, weaken or destroy plastic which may result in serious personal injury.

### **STORING**

- In order to maintain battery capacity, we recommend the battery to be completely discharged every one month and fully recharged again. Only store with a fully charged battery and top-up the charge from time to time if stored for a long time. Store in a dry and frost-free place, the ambient temperature should not exceed 40°C.
- Clean the blower thoroughly before storing. Store the blower indoors, in a dry place that is inaccessible to children. Keep away from corrosive agents such as garden chemicals and deicing salts.

### **CLEANING**

- Remove the battery pack.
- Brush or blow dust and debris out of the air vents using compressed air or a vacuum. Keep the air vents free of obstructions, sawdust, and wood chips. Do not spray, wash, or immerse the air vents in water.
- Wipe off the housing and the plastic components using a moist, soft cloth. Do not use strong solvents or detergents on the plastic housing or plastic components. Certain household cleaners may cause damage, and may cause a shock hazard.



## BATTERY PACK

- Store the battery pack fully charged.
- Once the charging light turns green, remove the battery from the charger and disconnect the charger from the outlet.
- Do not store the battery pack on the tool.
- After charging, the battery pack may be stored in the charger, as long as the charger is not plugged in.

## CHARGER MAINTENANCE

- Keep the charger clean and clear of debris. Do not allow foreign material to get into the recessed cavity or onto the contacts. Wipe the charger clean with a dry cloth. Do not use solvents or water, and do not place the charger in wet conditions.
- Unplug the charger when there is no battery pack in it.
- Fully charge the batteries before placing them in storage.
- Store the charger at normal room temperature. Do not store it in excessive heat. Do not use the charger in direct sunlight. Recharge at room temperature between 45°F and 104°F. If the battery pack is hot, allow it to cool down before recharging.

## ENVIRONMENTALLY SAFE BATTERY DISPOSAL

The batteries used in this blower's battery pack contain the following toxic and corrosive material:  
LITHIUM-ION.

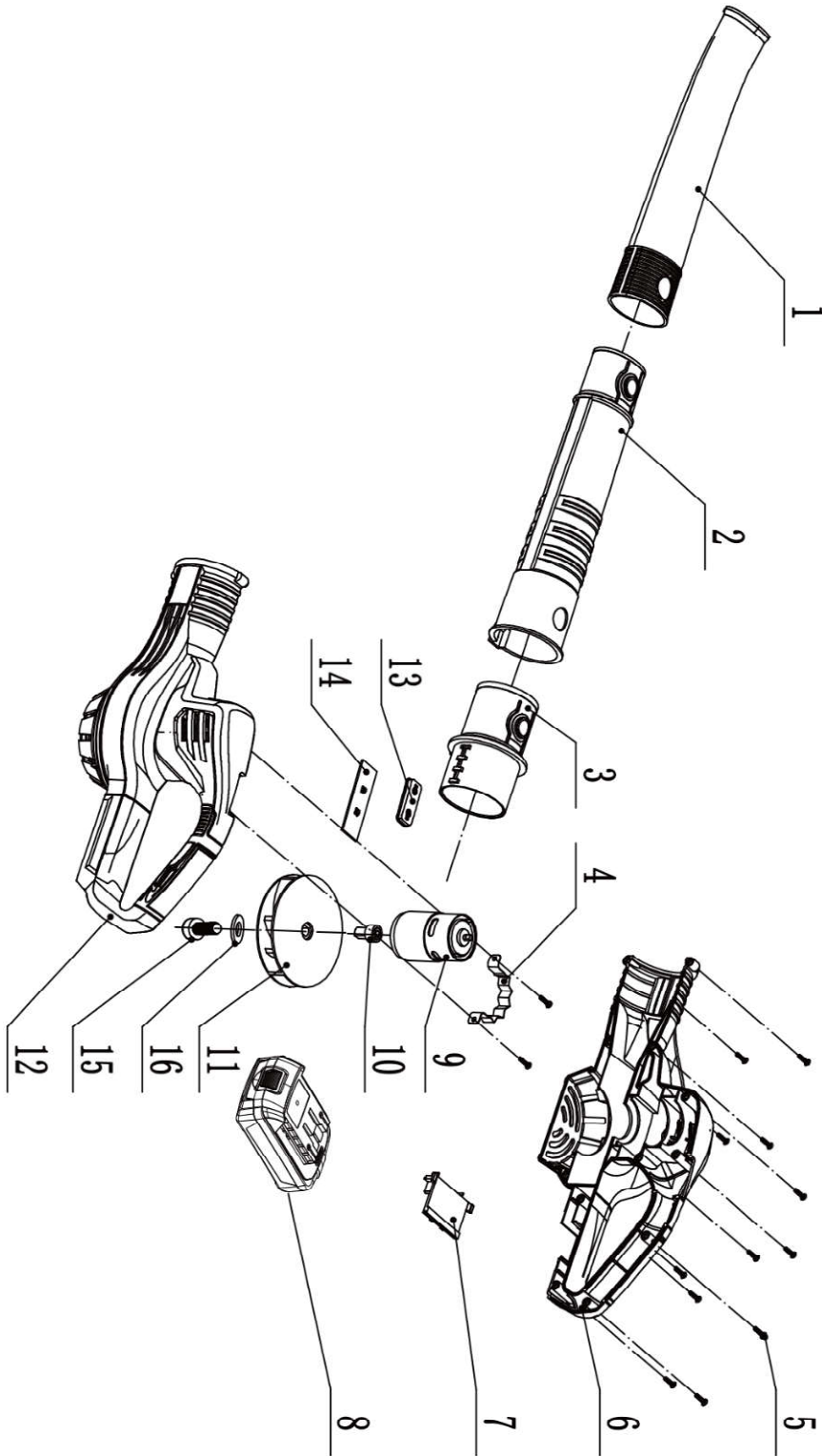


**WARNING:** Toxic materials must be disposed of in a specified manner in order to prevent contamination of the environment. Before disposing of damaged or worn out Lithium-Ion battery packs, contact your local waste disposal agency for information and specific instructions. Take the batteries to a local recycling and/or disposal center that is certified for disposal. If the battery pack cracks or breaks, whether it leaks or not, do not recharge it and do not use it. Dispose of it and replace it with a new battery pack. **DO NOT ATTEMPT TO REPAIR IT!**

Follow these instructions in order to avoid injury and the risk of fire, explosion, or electric shock, and to avoid damage to the environment:

- Cover the battery's terminals with heavy-duty adhesive tape.
- Do not attempt to remove or destroy any of the components of the battery pack.
- Do not attempt to open the battery pack.
- If a leak develops, the electrolytes that are released are corrosive and toxic. Do not get the solution in the eyes or on the skin, and do not swallow it.
- Do not place batteries in regular household trash.
- DO NOT incinerate batteries.
- DO NOT place batteries where they will become part of any waste landfill or municipal solid waste stream.
- Dispose of batteries at a certified recycling or disposal center.

# EXPLODED VIEW & PARTS LIST



| <b>Item</b> | <b>stock#</b> | <b>Description</b> | <b>QTY</b> |
|-------------|---------------|--------------------|------------|
| 1           | PS76101B-001  | Blower small tube  | 1          |
| 2           | PS76101B-002  | Blower big tube    | 1          |
| 3           | PS76101B-003  | Connector tube     | 1          |
| 4           | PS76101B-004  | Pressing plate     | 1          |
| 5           | PS76101B-005  | Screw ST4x14       | 14         |
| 6           | PS76101B-006  | Right housing      | 1          |
| 7           | PS76101B-007  | Insert base        | 1          |
| 8           | PS76101B-008  | Battery pack       | 1          |
| 9           | PS76101B-009  | Motor              | 1          |
| 10          | PS76101B-010  | Powder metallurgy  | 1          |
| 11          | PS76101B-011  | Fan                | 1          |
| 12          | PS76101B-012  | Left housing       | 1          |
| 13          | PS76101B-013  | Switch button      | 1          |
| 14          | PS76101B-014  | Switch             | 1          |
| 15          | PS76101B-015  | Screw              | 1          |
| 16          | PS76101B-016  | Washer             | 1          |

## **TWO (2) YEARS LIMITED WARRANTY**

PowerSmart® is committed to building tools that are dependable for years. Our warranties are consistent with our commitment and dedication to quality.

### **TWO (2) YEARS LIMITED WARRANTY OF POWER SMART PRODUCTS FOR HOME USE.**

PowerSmart ("Seller") warrants to the original purchaser only, that all PowerSmart consumer power tools will be free from defects in material or workmanship for a period of two (2) years from date of purchase. Ninety (90) days for all Power Smart Products, if the tool is used for professional or commercial use.

SELLER'S SOLE OBLIGATION AND YOUR EXCLUSIVE REMEDY under this Two (2) Years Limited Warranty and, to the extent permitted by law, any warranty or condition implied by law, shall be the repair or replacement of parts, without charge, which are defective in material or workmanship and which have not been misused, carelessly handled, or misrepaired by persons other than Seller or Authorized Service Center. To make a claim under this Limited Warranty, you must return the entire power tool product; transportation prepaid, to Power Smart Include a legible copy of the original receipt, which lists the date of purchase (month and year) and the name of the company purchased from.

**THIS LIMITED WARRANTY DOES NOT APPLY TO ANY ACCESSORY ITEMS INCLUDED WITH THE TOOL SUCH AS CIRCULAR SAW BLADES OTHER RELATED ITEMS OR TO ANY REPLACEMENT PARTS LISTED UNDER MAINTENANCE.**

ANY IMPLIED WARRANTIES SHALL BE LIMITED IN DURATION TO TWO (2) YEARS FROM DATE OF PURCHASE. SOME STATES IN THE U.S. AND SOME CANADIAN PROVINCES DO NOT ALLOW LIMITATIONS ON HOW LONG AN IMPLIED WARRANTY LASTS, SO THE ABOVE LIMITATION MAY NOT APPLY TO YOU.

IN NO EVENT SHALL SELLER BE LIABLE FOR ANY INCIDENTAL OR CONSEQUENTIAL DAMAGES (INCLUDING BUT NOT LIMITED TO LIABILITY FOR LOSS OF PROFITS) ARISING FROM THE SALE OR USE OF THIS PRODUCT. SOME STATES IN THE U.S. AND SOME CANADIAN PROVINCES DO NOT ALLOW THE EXCLUSION OR LIMITATION OF INCIDENTAL OR CONSEQUENTIAL DAMAGES, SO THE ABOVE LIMITATION OR EXCLUSION MAY NOT APPLY TO YOU.

THIS LIMITED WARRANTY GIVES YOU SPECIFIC LEGAL RIGHTS, AND YOU MAY ALSO HAVE OTHER RIGHTS WHICH VARY FROM STATE TO STATE IN THE U.S., PROVINCE TO PROVINCE IN CANADA AND FROM COUNTRY TO COUNTRY.

For questions / comments, technical assistance or repair parts –  
Please call toll free at: 1-800-791-9458 (M-F 9am – 5pm EST)  
Email: [support@amerisuninc.com](mailto:support@amerisuninc.com)

**SAVE YOUR RECEIPTS. THIS WARRANTY IS VOID WITHOUT THEM.**