

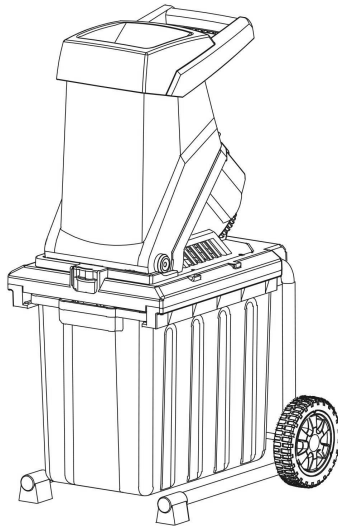
143*210mm 23/8/9

POWER SMART®

INSTRUCTION MANUAL

Electric Wood Shredder

Model # PS12A



Have product questions or need technical support? Please scan the QR code to enter our official website and contact us!

Website: www.powersmartusa.com

Toll free: 1-800-791-9458 Mon-Fri 9-5 EST

Email: support@amerisuninc.com / support@powersmartusa.com



Website

CONTENTS

TECHNICAL DATA	3
INTRODUCTION	4
SAFETY INFORMATION	4
GENERAL SAFETY RULES	5
SPECIFIC SAFETY RULES FOR ELECTRIC WOOD SHREDDER	9
SYMBOLS	10
ASSEMBLY INSTRUCTION	12
OPERATING INSTRUCTION	14
MAINTENANCE	16
RECYCLING AND DISPOSAL	17
TROUBLE SHOOTING	18
EXPLODED VIEW & PART LIST	19
WARRANTY	21

TECHNICAL DATA

Electric Wood Shredder	Model#PS12A
Motor:	120 V,60Hz,15A
No-load speed:	3700RPM
Branch Diameter:	1-1/2 "
Wheel Size:	7 "
Discharge:	Collection box
Package Dimensions (L x W x H):	21x15.6x23inch
Weight:	30 lb.

INTRODUCTION

Thank You for Purchasing a PowerSmart® Product. This manual provides information regarding the safe operation and maintenance of this product. Every effort has been made to ensure the accuracy of the information in this manual. PowerSmart® reserves the right to change this product and specifications at any time without prior notice.

Please keep this manual available to all users during the entire life of the chipper shredder.



This manual contains special messages to bring attention to potential safety concerns, chipper shredder as well as helpful operating and servicing information. Please read all the information carefully to avoid injury and machine damage.

QUESTIONS? PROBLEMS?

Please contact our Customer Service Dept. with any questions and/or comments, either by Email: support@amerisuninc.com/support@powersmartusa.com, or Toll Free at (800)791-9458. We are available Mon-Fri 9am-5pm EST to help solve any issues that you might encounter.

SAFETY INFORMATION

Before operating this chipper shredder, read and observe all warnings, cautions, and instructions on the wood shredder and in this Owner's Manual.

NOTE: The following safety information is not meant to cover all possible conditions and situations that may occur. Read the entire Owner's Manual for safety and operating instructions. Failure to follow instructions and safety information could result in serious injury or death.

This safety alert symbol is used to identify safety information about hazards that can result in personal injury.



A signal word (DANGER, WARNING, or CAUTION) is used with the alert symbol to indicate the likelihood and the potential severity of injury. In addition, a hazard symbol may be used to represent the type of hazard.

DANGER Indicates a hazard, which, if not avoided, will result in death or serious injury.

WARNING Indicates a hazard, which, if not avoided, could result in death or serious injury.

CAUTION Indicates a hazard, which, if not avoided, might result in minor or moderate injury.

CAUTION Without the alert symbol, indicates a situation that could result in damage.

GENERAL SAFETY RULES

Safety is a combination of common sense, staying alert, and knowing how your wood shredder works. **SAVE THESE SAFETY INSTRUCTIONS.**



WARNING: Do not operate this unit until you read this instruction manual for safety, operation and maintenance instructions. Failure to follow all instructions listed below may result in electric shock, fire, and/or serious personal injury.

Work Area Safety

- Keep your work area clean and well lit. Cluttered and dark areas invite accidents.
- Do not operate power tools in explosive atmospheres, such as in the presence of flammable liquids, gases, or dust. Power tools create sparks which may ignite the dust or fumes.
- Keep bystanders, children, and visitors away while operating a power tool. Distractions can cause you to lose control.

Electrical Safety

Grounding instructions

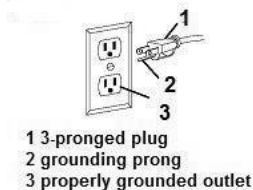
IN THE EVENT OF A MALFUNCTION OR BREAKDOWN, grounding provides the path of least resistance for electric current and reduces the risk of electric shock. This tool is equipped with an electric cord that has an equipment grounding conductor and a grounding plug. The plug **MUST** be plugged into a matching outlet that is properly installed and grounded in accordance with ALL local codes and ordinances.

DO NOT MODIFY THE PLUG PROVIDED. If it will not fit the outlet, have the proper outlet installed by a licensed electrician.

IMPROPER CONNECTION of the equipment grounding conductor can result in electric shock. The conductor with the green insulation (with or without yellow stripes) is the equipment grounding conductor. If repair or replacement of the electric cord or plug is necessary, **DO NOT** connect the equipment grounding conductor to a live terminal.

CHECK with licensed electrician or service personnel if you do not completely understand the grounding instructions, or if you are not sure if the tool is properly grounded.

USE ONLY THREE-WIRE EXTENSION CORDS that have 3-pronged plugs and outlets that accept the tool's plug as shown in Fig. A. Repair or replace a damaged or worn cord immediately.



CAUTION: In all cases, make certain the outlet in question is properly grounded. If you are not sure if it is, have a licensed electrician check the outlet.



WARNING: Do not expose to rain or use in damp locations.

Guidelines for using extension cords

Make sure your extension cord is in good condition. When using an extension cord, be sure to use one heavy enough to carry the current your product will draw. An undersized cord will cause a drop in line voltage resulting in loss of power and overheating. The table below shows the correct size to be used according to cord length and nameplate ampere rating. If in doubt, use the next heavier gauge. The smaller the gauge number, the heavier the cord.

Minimum Gauge for Extension Cords (AWG)
(When using 120 V only)

Ampere Rating		Total Length of Cord in feet			
More Than	Not More Than	25	50	100	150
0	6	18	16	16	14
6	10	18	16	14	12
10	12	16	16	14	12
12	16	14	12	Not Recommended	

Make sure your extension cord is properly wired and in good condition. Always replace a damaged extension cord or have it repaired by a qualified person before using it.

Protect your extension cords from sharp objects, excessive heat and damp or wet areas.

Use a separate electrical circuit for your tools. This circuit must not be less than a #12 wire and should be protected with a 15 A time-delayed fuse. Before connecting the motor to the power line, make sure the switch is in the OFF position and the electric current is rated the same as the current stamped on the motor nameplate. Running at a lower voltage will damage the motor.



WARNING: If you are uncertain, have it checked by a certified electrician. Always make sure that your outlet is property grounded. This garden shredder is for outdoor use only. Do not expose to rain or use in damp locations.

Although this shredder is double-insulated, the extension cord and receptacle must still be grounded while in use to protect the operator from electric shock.

For All Double Insulated Appliances

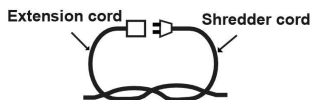
1. Replacement Parts: when servicing use only identical replacement parts.
2. Polarized Appliance Connections: to reduce the risk of electric shock, this appliance has a polarized plug (one blade is wider than the other) and will require the use of a polarized extension cord. The appliance plug will fit into a polarized extension cord only one way. If the plug does not fit fully into the extension cord, reverse the plug. If the plug still does not fit, obtain the correct polarized extension cord. A polarized extension cord will require the use of a polarized wall outlet. This plug will fit into the polarized wall outlet only one way. If the plug does not fit fully into the wall outlet, reverse the plug. If the plug still does not fit, contact a qualified electrician to install the proper wall outlet. Do not change the equipment plug, extension cord receptacle, or extension cord plug in any way.

For All Appliances

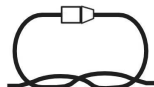
1. Do not use appliances in damp or wet locations as this can be dangerous.
2. Do not use in the rain.
3. Keep children away. All visitors should be kept at a safe distance from the work area.

4. Dress properly. Do not wear loose clothing or jewellery, which can get caught in moving parts. Use of rubber gloves and heavy footwear is recommended when working outdoors. Wear protective hair covering to contain long hair.
5. Use safety glasses. Always use face or dust mask if operation is dusty.
6. Use the right appliance. Do not use appliance for any job except that for which it is intended.
7. Ground Fault Circuit Interrupter (GFCI) protection should be provided on the circuit(s) or outlet(s) to be used for the gardening appliance. Receptacles with built-in GFCI protection may be used for this measure of safety.
8. Warning—to reduce the risk of electric shock, use only with an extension cord intended for outdoor use, such as an extension cord of cord type SW-A, SOW-A, STW-A, STOW-A, SJW-A, SJOW-A, SJTW-A or SJTOW-A.

9. Extension Cord
 Make sure your extension cord is in good condition and is heavy enough to carry the current your product will draw. An undersized extension cord will cause a drop in line voltage resulting in loss of power and overheating. To reduce the risk of disconnection of appliance cord from the extension cord during use:



(A) Tie cord as shown



(B) Connect plug and receptacle

- ii) Use one of the plug-receptacle retaining straps or connectors described in this manual.
10. Avoid unintentional starting. Do not carry plugged-in appliance with finger on switch. Be sure switch is off when plugging in.
11. Do not abuse cord. Never carry appliance by cord or yank it to disconnect from receptacle. Keep cord away from heat, oil, and sharp edges.
12. Do not force appliance. It will do the job better and with less likelihood of a risk of injury at the rate for which it was designed.
13. Do not overreach. Keep proper footing and balance at all times.
14. Stay alert. Watch what you are doing. Use common sense. Do not operate appliance when you are tired.
15. Disconnect the appliance from the power supply when not in use, before servicing, when changing accessories such as blades, and the like.
16. Keep guards in place and in working order.
17. Keep blades sharp.
18. Keep hands and feet away from cutting area.

Personal Safety

- Stay alert, watch what you are doing and use common sense when operating a power tool. Do not use a power tool while you are tired or under the influence of drugs, alcohol or medication. A moment of inattention while operating power tools may result in serious personal injury.
- Use safety equipment. Always wear eye protection. Dust mask, non-skid safety shoes, hard hat, or hearing protection must be used for appropriate conditions.
- Dress properly. Do not wear loose clothing or jewelry. Contain long hair. Keep your hair, clothing, and gloves away from moving parts. Loose clothes, jewelry, or long hair can be caught in moving parts.

- Avoid accidental starting. Be sure switch is off before connecting to power source and/ or battery pack, pick up or carrying the tool. Carrying power tools with your finger on the switch or energizing power tools that have the switch on invites accidents.
- Remove any adjusting key or wrench before turning the power tool on. A wrench or a key left attached to a rotating part of the power tool may result in personal injury.
- Do not overreach. Keep proper footing and balance at all times. Proper footing and balance enable better control of the power tool in unexpected situations.
- If devices are provided for the connection of dust extraction and collection facilities, ensure these are connected and properly used. Use of dust collection can reduce dust-related hazards.

Service

- Tool service must be performed only by qualified repair personnel. Service or maintenance performed by unqualified personnel could result in a risk of injury.
- When servicing a tool, use only identical replacement parts. Follow instructions in the Maintenance section of this manual. Use of unauthorized parts or failure to follow Maintenance Instructions may create a risk of electric shock or injury.

SPECIFIC SAFETY RULES FOR ELECTRIC WOOD SHREDDER















WARNING: Do not operate your electric shredder until it is completely assembled and installed according to the instructions.

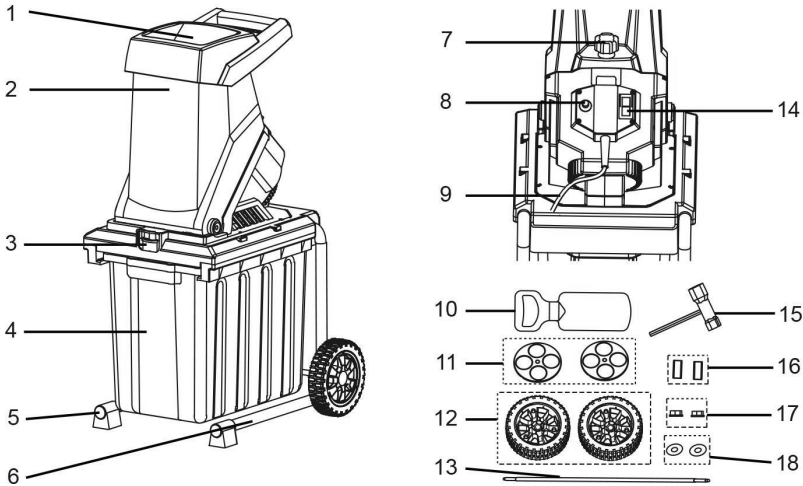
- Before starting the shredder, make sure that the hopper inlet is empty.
- Keep your face and body away from the opening.
- Do not allow hands or any other part of the body or clothing near the hopper or discharge chute.
- Never put your hands into the hopper while the chipper shredder is running. Always use the paddle supplied with your shredder to push items into the hopper.
- Do not try to force objects larger than the recommended diameter of 1-1/2" into the hopper.
- Keep proper balance and footing at all times. Do not overreach. Never stand at a higher level than the base of the tool when feeding material into chipper shredder.
- Always stand clear of the discharge zone when operating the chipper shredder. Never reach under the shredder until it has come to a complete stop.
- When feeding material into wood shredder be careful to remove pieces of metal, rocks, bottles, cans or other foreign objects that may damage the blades.
- If the cutting mechanism strikes a foreign object or if the shredder should start making any unusual noise or vibration, turn it off and allow it to come to a complete stop. Disconnect from power supply and take the following steps:
 - Inspect for damage.
 - Check for and tighten any loose parts.
- Do not allow processed material to build up in the discharge zone; this may prevent proper discharge and can result in kickback of material through the hopper.
- If the shredder becomes clogged, turn it OFF and disconnect from power supply before clearing debris. Keep the power source clear of debris and other accumulations to prevent damage to the power source.
- Keep all guards and deflectors in place and in good working condition.
- Do not operate the shredder on a paved or gravel surface where ejected material could cause injury.
- Turn off the chipper shredder and disconnect it from the power supply whenever you leave the work area.
- Do not tilt the shredder while it is running.
- Never reach into the hopper until the shredder has come to a complete stop and has been disconnected from the power supply. The blades will continue to rotate for a few seconds after the shredder is turned off.

SYMBOLS

Some of the following symbols may be used on this product. Please study them and learn their meaning. Proper interpretation of these symbols will allow you to operate the product better and safer.

SYMBOL	NAME	DESIGNATION/EXPLANATION
V	Volts	Voltage
A	Amperes	Current
Hz	Hertz	Frequency (cycles per second)
W	Watts	Power
MIN	Minutes	Time
	Double Insulation	Class II construction Double Insulated construction
	Safety Alert	Precautions that involve your safety.
	Read the user's manual	To reduce the risk of injury, user must read and understand user's manual before using this product.
	Eye and hearing protection	For protection against injury, wear ear defenders and safety goggles.
	Wear protective gloves	Wear protective gloves when using the machine and handling debris.
	SWITCH OFF!	Remove plug from outlet before cleaning or conducting maintenance checks.
	DANGER! ROTATING BLADES	Keep hands and feet away from openings while the unit is running.
	Keep bystanders away	Keep bystanders a safe distance away from the work area.
	Ricochet	Thrown objects and rotating blade can cause severe injury.
	Wet conditions alert	Do not expose to rain or use in damp locations.
	Electric shock alert	Beware of electric shock hazard.
	Do not stand alert	Do not stand on the machine.

KNOWING YOUR ELECTRIC WOOD SHREDDER



- | | | |
|------------------|----------------------|---------------------|
| 1 Feed hopper | 7 Locking knob | 13 Axle tube |
| 2 Body cover | 8 Overload protector | 14 On/Off switch |
| 3 Locking button | 9 Power cable | 15 Socket wrench |
| 4 Collection box | 10 Plunger | 16 Wheel bushing |
| 5 Left bracket | 11 Wheel covers | 17 Self-locking nut |
| 6 Right bracket | 12 Wheels | 18 Washer |

Unpacking

Unpack the power tool and all its parts, and compare against the list below. Do not discard the carton or any packaging materials. Please call 1-800-791-9458 or E-mail us at support@amerisuninc.com / support@powersmartusa.com if any parts are damaged or missing.

Including: Wood Shredder/ Collection Box / Wheel*2 /Wheel cover*2 / Axle Tube with nuts / Socket Wrench / Plunger / User Manual

ASSEMBLY INSTRUCTION



WARNING: If any parts are damaged or missing do not operate this product until the parts are replaced. Use of this product with damaged or missing parts could result in serious personal injury.



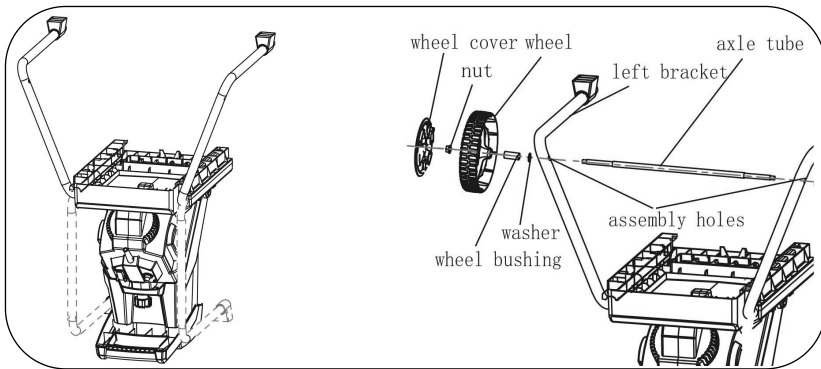
WARNING: Read the user manual before assemble and operating the electric wood chipper.



WARNING: To reduce the risk of injury, turn unit off, disconnect it from power source before installing and removing accessories, before adjusting or when making repairs. An accidental start-up can cause injury.

Assemble The Transportation Wheels

1. Turn the machine upside down on a flat surface and rotate the two brackets from the outside of the machine to the upright position.
2. Attach the axle tube between the left and right brackets. Slide the axle through the assembly hole in left bracket then through out the other assembly hole in the right bracket.
3. Position the washers and wheel bushings on each end of the axle tube. Then assemble the wheels onto each end of the axle end. Use the self locking nuts on each end of the axle and tighten both the self-locking nuts using the wrench supplied.
4. Attach the wheel cover and make sure everything is assembled in the correct position.



NOTE: The wheels must be fitted the correct way round to allow the nuts to tighten on each end of the axle.

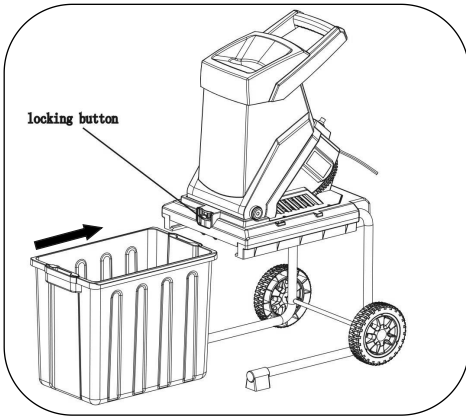
Take care when tilting the unit onto its wheels as the machine has an uneven weight distribution when tilted and during wheeled transportation.

Fitting The Collection Box

Before assembling the collection box, make sure the machine is in the upright position and two brackets are placed on the ground.

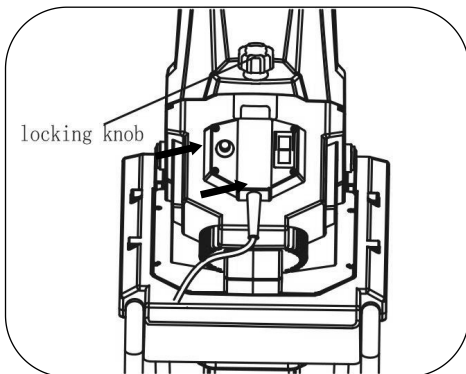
1. Lift the locking button then attach the collection box into the frame.

NOTE: If collection box is not put in position, the locking button can not return, the shredder will can not be switched on.



2. Make sure the locking button and locking knob are locked before using the machine.

NOTE: If body cover is not correctly fitted, and locking knob is not securely tightened, the shredder can not be operated.

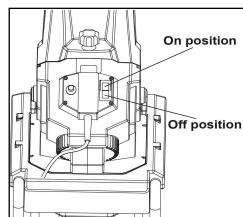


WARNING: To ensure the stability of the shredder, make sure that the cap-headed bolts and washers are securely tightened.

OPERATING INSTRUCTION

Start/ Stop The Shredder

1. Connect to the electric power supply.
 2. To switch on the shredder, press the power On/Off switch to the ON Position.
 3. To switch off, simply press the On/Off switch to the OFF position.
- NOTE:** Ensure power On/Off switch is in the OFF position before plugging in the shredder.



For best results when shredding, follow the guidelines shown in the table below.

MATERIAL	SHREDDING METHOD
Twigs and pruning up to 1/4" (6 mm) diameter.	Feed into the feeding chute at a rate which the shredder will accept without overloading. Use the plunger to push the material into the chute if required.
Branches and pruning up to 1 1/2" (40 mm) in diameter.	Clip off all side growth with pruning shears before feeding into the feeding chute with the plunger.
Bedding plants, weeds and shrubby growth.	Knock soil and stones off the roots to avoid damage to the blades. Avoid weeds that may have seeded. The seeds may not decompose and may germinate later.
Freshly cut foliage, hedge pruning, and kitchen waste (e.g., cabbage leaves, vegetable peelings, etc.)	With any material having a high, moisture content, it is advisable to feed in some drier sticks at regular intervals to help push the material through the cutting assembly and prevent it from clogging.



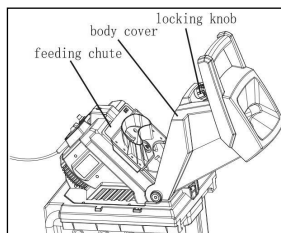
WARNING: Do not put your hands into the feeding chute. The shredder must be used in the upright position only. Do not operate the shredder if it is lying on its side.

When feeding long woody branches/stems into the shredder, be careful of whip and vibrations as they get caught by the cutter. The cutting device has a tendency to pull branches/stems into the machine. Do not try to impede entry of the material being cut once feeding has started.

Clearing Obstructions

If the shredder becomes jammed, power to the motor will automatically cut off. If the shredder jams and can not be restarted, the following actions should be taken.

1. Switch the shredder OFF.
2. Disconnect shredder from electric power supply before attempting to unblock any jams.
3. Unscrew locking knob, located on underside of cover.
4. Lift body cover up so you can clearly see the cutting section.
5. Remove any twigs, branches or other material that may be clogging the blades, feeding chute or discharge chute.
6. Close body cover, make sure it is correctly located and securely re-tighten the locking knob.

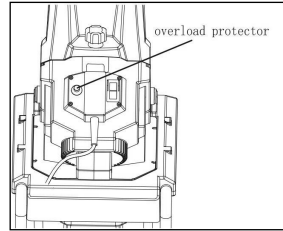


Operation Of Overload Protector

If the machine is overloaded, the overload protector incorporated in the motor will cut off the power to the shredder.

1. Leave the shredder for a few minutes, then press the overload protector to reset the machine.
2. Press the main switch to the “ON” position to restart the shredder.

NOTE: If after above steps the shredder still can not be started, the motor protector needs to be disconnected from the power circuit. Unplug the power cable from the socket, wait for a few minutes, then plug it in and follow above steps to restart the shredder.



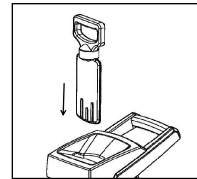
Use Plunger

Use the plunger provided to help push the branches/stems down into the feeding chute.



WARNING: The garden shredder has a tendency to pull branches/stems into the machine. Do not try to impede entry of the material being cut once feeding has started.

NOTE: After prolonged use, the shredder may lose performance. If the blades become worn or damaged, they can be reversed to provide a new cutting edge.



- Do not allow garden waste to accumulate before shredding as it will begin to compost and become too damp and clog the cutting assembly. Dry material will help most material to clear the ejection chute. Save some dry sticks until last to help clean the blade area.
- Frequently monitor the build-up of shredded material.
- Do not allow shredded material to build up and fill the inside of the shredder's discharge chute.
- When the collection box is full, make sure to press the On/Off switch to turn the garden shredder off, and release the locking button before emptying collection box.

Practical Tips

- Be sure to observe the safety instructions.
- Wear work gloves, goggles and ear protection.
- The material is drawn into the shredder automatically. CAUTION! Long pieces of material projecting out of the funnel inlet may whiplash when it is drawn in – keep a safe distance between yourself and the machine.
- Judge the quantity of material which you put into the funnel inlet so that the funnel does not clog.
- If you want to shred withered, damp material that has been lying in the garden for several days, alternate between putting in this material and branches. This will help to prevent the loading funnel becoming clogged with material.
- Entangled branches and leaves should be thoroughly shredded before loading any more material.
- Do not allow the discharge opening to become clogged with shredded material – risk of pile-ups.
- Do not cover the ventilation slits.
- Do not place heavy material or thick branches into the machine continuously. This may cause the blade to jam.
- Swing open the loading funnel by opening the locking knob and remove it. You can now remove blockages from the inside of the equipment. To assemble, proceed in reverse order.

MAINTENANCE



WARNING: In order to avoid personal injury and the risk of fire and electric shock, always pull out the mains power plug before adjusting, inspecting, or cleaning the power tool.



WARNING: When servicing, use only identical replacement parts. Use of any other parts could create a hazard or cause product damage.

Blades Maintenance



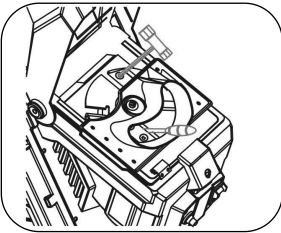
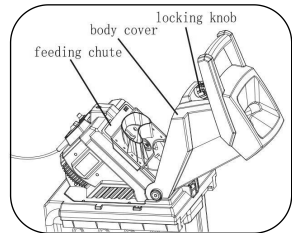
WARNING: For safety reasons we recommend that you have all sharpening and blade replacement work carried out by a specialist workshop.



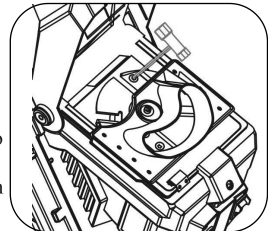
WARNING: Always wear heavy duty working gloves.

The shredder has two blades that are attached to a rotating support. When one side of a blade becomes dull, it can be turned over in order to use the other side. Dull blades can be replaced or properly sharpened.

1. Switch shredder off by pressing the power On/Off switch to the Off position.
2. Disconnect the shredder from the electric power supply.
3. Turn the locking knob counter-clockwise until the body cover can be opened. Lift up the body cover to expose the two blades.
3. Wearing protective gloves, use a screwdriver (not supplied) to hold the blade plate, then use the hexagonal end of the socket wrench supplied to loosen and remove the first hexagon socket head screw.



5. Turn the blade plate 180°, use the hexagonal wrench to loosen and remove the other hexagon socket head screw.
6. Lift out the old blade. Either reinsert the blade with the sharp edge in position as the cutting surface or insert a replacement blade.
7. Follow the same procedure for the opposite cutting blade.
8. Replace and tighten the two screws in order to secure the new blade to the support.
9. Close cover, making sure it is correctly placed, and securely re-tighten locking knob.



General Maintenance And Storage

Clean the machine regularly. This will help to keep the machine in good working order and is the basis for a long working life.

- Keep the vent slots clean while you work.
- Clean the plastic body and other plastic parts with a mild household cleaning agent and a damp cloth. Do not use any aggressive agents or solvents for cleaning purposes.
- Never clean the shredder by spraying with water.
- Prevent water getting inside the machine.
- Check the chassis securing screws from time to time to ensure that they are tight.
- If you do not intend to use the shredder for a lengthy period, protect it from corrosion using environmentally friendly oil.
- Store the device in a dry room.
- Store the device out of reach of children.
- When you have finished your work, pull the loading funnel forwards and clean the inside.
- Use a brush to remove deposits from metal parts on the inside. Apply a thin coating of oil to the cleaned blade plate and blades.
- If abnormal vibration or noise occurs, turn the garden shredder OFF immediately and have the problem corrected before further use.
- If damaged or performing abnormally, do not use the shredder until it has been properly repaired, or replaced.

RECYCLING AND DISPOSAL

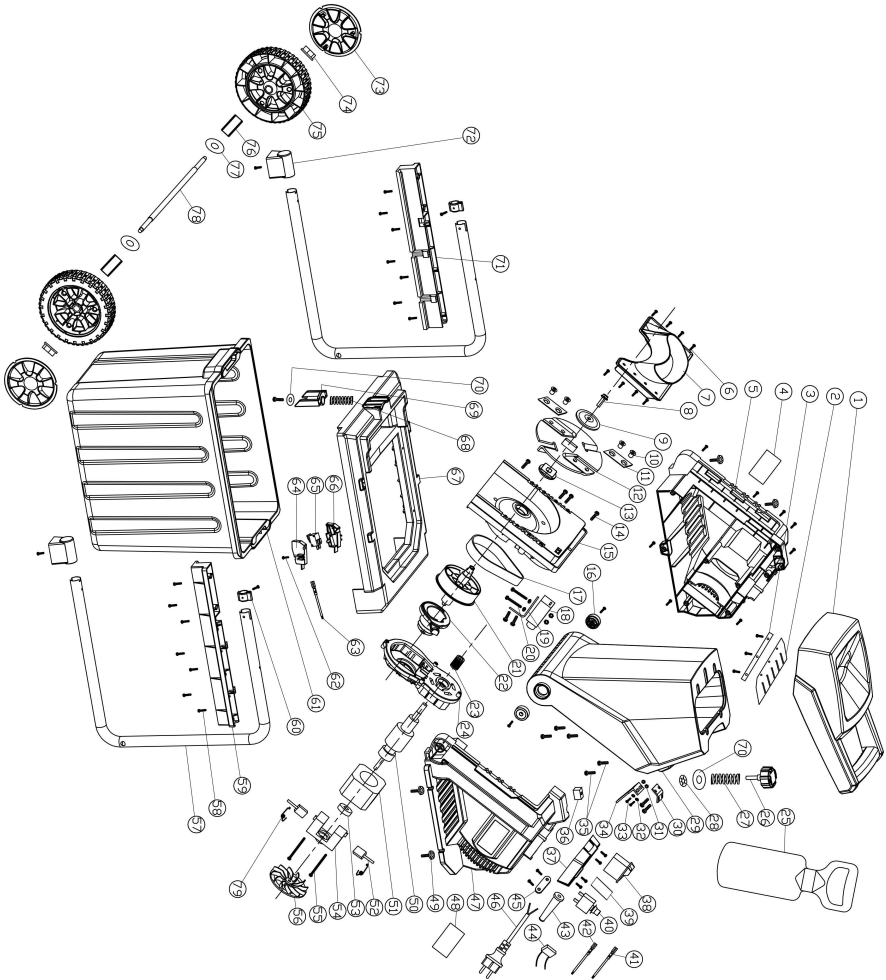
- Recycle unwanted materials instead of disposing of them as waste. All tools, hoses and packaging should be sorted, taken to the local recycling centre, and disposed of in an environmentally safe way.
- Recycle rather than dispose of unwanted material in landfill whenever possible. The machine is delivered in rigid packaging to avoid damage during transportation, but the packaging, roller, and the machine itself are manufactured from recyclable materials and should be disposed of accordingly.
- Do not throw your clippings into a rubbish bin where it will be disposed of in landfill. You can dispose of clippings on your compost heap, alternating them with other garden material. Alternatively, many
- communities provide a public collection point where you can dispose of your garden waste in an environmentally friendly manner.
- Recycle packaging where facilities exist.

TROUBLE SHOOTING

If your device is not operating properly, follow the instructions below. If this does not solve the problem, please contact your local repair agent.

Problem	Possible Cause	Possible Solution
The motor does not run.	Power failure/unit not plugged into a working receptacle.	Check to make sure unit is plugged into a working outlet.
	The motor protection is triggered.	Remove all chipped pieces and press reset button.
	The safety switch is triggered.	Check to make sure the hopper is secured and the lock knob is tightened; Make sure the collection box is in position.
The material to be chopped is not pulled in.	The material is jammed in the feed inlet.	Disconnect the power supply and open the hopper. Pull the material from the feed inlet.
	The cutting blade is blocked.	Disconnect the power supply and open the hopper. Remove the blocked material and press the reset button.
	The discharge chute is blocked.	Disconnect the power supply and open the hopper. Open the plate of the discharge chute to clear the blocked material.
Shredding performance unsatisfactory	Blades worn.	Turn, sharpen or replace blades

EXPLODED VIEW & PART LIST



Item	stock#	Description.	Qty	Item	stock#	Description.	Qty
1	DB6612-01	feeder hopper	1	41	DB6612-41	connecting wire	1
2	DB6612-02	Scraps defend block	1	42	DB6612-42	connecting wire 2	1
3	DB6612-03	Clamp bar	1	43	DB6612-43	cord sheath	1
4	DB6612-04	label	1	44	DB6612-44	capacitor	1
5	DB6612-05	right housing	1	45	DB6612-45	cord clamp plate	1
6	DB6612-06	screw	35	46	DB6612-46	supply cord	1
7	DB6612-07	Blade defend block	1	47	DB6612-47	left housing	1
8	DB6612-08	internal hex nut	1	48	DB6612-48	label	1
9	DB6612-09	clamp block	1	49	DB6612-49	screw	4
10	DB6612-10	hex nut	4	50	DB6612-50	armature	1
11	DB6612-11	blade	2	51	DB6612-51	field	1
12	DB6612-12	blade plate	1	52	DB6612-52	carbon brush	2
13	DB6612-13	drive block	1	53	DB6612-53	bearing	1
14	DB6612-14	screw	12	54	DB6612-54	brush holder	1
15	DB6612-15	up cover of gear box	1	55	DB6612-55	field screw	2
16	DB6612-16	connecting knob	2	56	DB6612-56	fan	1
17	DB6612-17	belt	1	57	DB6612-57	Support tube	2
18	DB6612-18	overload switch	1	58	DB6612-58	screw	14
19	DB6612-19	Switch frame plate	1	59	DB6612-59	left hook clip	1
20	DB6612-20	screw	2	60	DB6612-60	tube stopper	2
21	DB6612-21	Big belt wheel	1	61	DB6612-61	collection box	1
22	DB6612-22	Eccentric wheel	1	62	DB6612-62	screw	2
23	DB6612-23	small belt wheel	1	63	DB6612-63	connecting wire 3	1
24	DB6612-24	down cover of gear box	1	64	DB6612-64	Switch right housing	1
25	DB6612-25	Flat push stick	1	65	DB6612-65	ganged switch	1
26	DB6612-26	knob	1	66	DB6612-66	Switch left housing	1
27	DB6612-27	spring	1	67	DB6612-67	body support	1
28	DB6612-28	Retaining ring	1	68	DB6612-68	spring	1
29	DB6612-29	up housing	1	72	DB6612-69	pull pin	1
30	DB6612-30	Bolt frame plate	1	69	DB6612-70	washer	1
31	DB6612-31	nut	4	70	DB6612-71	right hook clip	1
32	DB6612-32	spring washer	4	71	DB6612-72	food washer	2
33	DB6612-33	screw	2	73	DB6612-73	wheel cover	2
34	DB6612-34	switch pin	1	74	DB6612-74	hex nut	2
35	DB6612-35	H type screw	2	75	DB6612-75	wheel	2
36	DB6612-36	Fix up nut	1	76	DB6612-76	wheel spindle sheath	2
37	DB6612-37	switch box	1	77	DB6612-77	spacer	3
38	DB6612-38	Electonmagnetic switch	1	78	DB6612-78	connecting pole	1
39	DB6612-39	label	1	79	DB6612-79	torsional spring	2
40	DB6612-40	Over current protection	1				

TWO (2) YEARS LIMITED WARRANTY

PowerSmart® is committed to building tools that are dependable for years. Our warranties are consistent with our commitment and dedication to quality.

TWO (2) YEARS LIMITED WARRANTY OF POWERSMART PRODUCTS FOR HOME USE.

PowerSmart ("Seller") warrants to the original purchaser only, that all PowerSmart consumer power tools will be free from defects in material or workmanship for a period of two (2) years from date of purchase. Ninety (90) days for all PowerSmart Products, if the tool is used for professional or commercial use.

SELLER'S SOLE OBLIGATION AND YOUR EXCLUSIVE REMEDY under this Two (2) Years Limited Warranty and, to the extent permitted by law, any warranty or condition implied by law, shall be the repair or replacement of parts, without charge, which are defective in material or workmanship and which have not been misused, carelessly handled, or misrepaired by persons other than Seller or Authorized Service Center. To make a claim under this Limited Warranty, you must return the entire power tool product; transportation prepaid, to PowerSmart Include a legible copy of the original receipt, which lists the date of purchase (month and year) and the name of the company purchased from.

THIS LIMITED WARRANTY DOES NOT APPLY TO ANY ACCESSORY ITEMS INCLUDED WITH THE TOOL SUCH AS CIRCULAR SAW BLADES OTHER RELATED ITEMS OR TO ANY REPLACEMENT PARTS LISTED UNDER MAINTENANCE.

ANY IMPLIED WARRANTIES SHALL BE LIMITED IN DURATION TO TWO (2) YEARS FROM DATE OF PURCHASE. SOME STATES IN THE U.S. AND SOME CANADIAN PROVINCES DO NOT ALLOW LIMITATIONS ON HOW LONG AN IMPLIED WARRANTY LASTS, SO THE ABOVE LIMITATION MAY NOT APPLY TO YOU.

IN NO EVENT SHALL SELLER BE LIABLE FOR ANY INCIDENTAL OR CONSEQUENTIAL DAMAGES (INCLUDING BUT NOT LIMITED TO LIABILITY FOR LOSS OF PROFITS) ARISING FROM THE SALE OR USE OF THIS PRODUCT. SOME STATES IN THE U.S. AND SOME CANADIAN PROVINCES DO NOT ALLOW THE EXCLUSION OR LIMITATION OF INCIDENTAL OR CONSEQUENTIAL DAMAGES, SO THE ABOVE LIMITATION OR EXCLUSION MAY NOT APPLY TO YOU.

THIS LIMITED WARRANTY GIVES YOU SPECIFIC LEGAL RIGHTS, AND YOU MAY ALSO HAVE OTHER RIGHTS WHICH VARY FROM STATE TO STATE IN THE U.S., PROVINCE TO PROVINCE IN CANADA AND FROM COUNTRY TO COUNTRY.

For questions / comments, technical assistance or repair parts –
Please call toll free at: 1-800-791-9458 (M-F 9am – 5pm EST)
Email: support@amerisuninc.com / support@powersmartusa.com

SAVE YOUR RECEIPTS. THIS WARRANTY IS VOID WITHOUT THEM.

