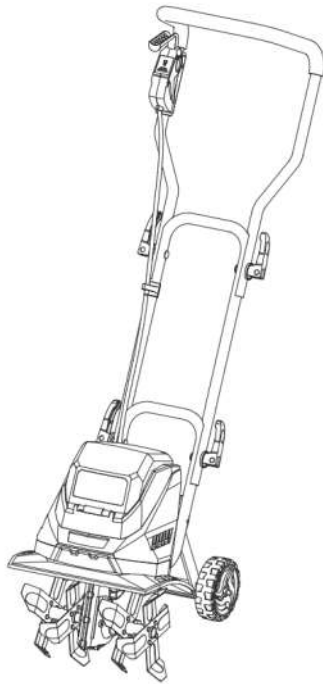


POWER SMART[®]

INSTRUCTION MANUAL

40V Cordless Tiller

Model # PS76221A



Have product questions or need technical support? Please scan the QR code to enter our official website and contact us!

Website: www.powersmartusa.com

Toll free: 1-800-791-9458 M-F 9-5 EST

Email: support@amerisuninc.com



Website

CONTENTS

| | |
|--|----|
| Technical data..... | 3 |
| Introduction..... | 4 |
| Safety information..... | 4 |
| General safety rules..... | 5 |
| Specific safety rules for tiller..... | 10 |
| Symbols..... | 11 |
| Knowing your tiller..... | 12 |
| Assembly..... | 13 |
| Operating instructions..... | 14 |
| Maintenance..... | 16 |
| Environmentally safe battery disposal..... | 18 |
| Troubleshooting..... | 19 |
| Exploded view & parts list..... | 20 |
| Warranty statement..... | 23 |

TECHNICAL DATA

| | |
|---------------------------------|---|
| 40V Cordless tiller | Model # PS76221A |
| No load speed: | 280 RPM |
| Tine: | 4 steel tines |
| Tilling width: | 12" |
| Tilling depth : | 7-7/8" |
| Depth adjustment: | 4 levels |
| Motor voltage: | 40V DC |
| Battery type: | 20V Lithium-ion |
| Battery model: | PS76440B, 4.0Ah |
| Charging time: | 2.5 hours |
| Charger model: | PS76018C-2 |
| Charger rating: | Input: 120VAC,60Hz, 0.54 A; Output: 20V DC, 1.5 A |
| Package dimensions (L x W x H): | 23.4 x14 x 12.8 inches |
| Weight: | 30.0 lbs. |

INTRODUCTION

Thank You for Purchasing a PowerSmart® Product. This manual provides information regarding the safe operation and maintenance of this product. Every effort has been made to ensure the accuracy of the information in this manual. PowerSmart® reserves the right to change this product and specifications at any time without prior notice.

Please keep this manual available to all users during the entire life of the tiller.



This manual contains special messages to bring attention to potential safety concerns, tiller damage as well as helpful operating and servicing information. Please read all the information carefully to avoid injury and machine damage.

QUESTIONS? PROBLEMS?

Please contact our Customer Service Dept. with any questions and/or comments, either by Email: support@amerisuninc.com, or Toll Free at (800)791-9458. We are available Mon-Fri 9am-5pm EST to help solve any issues that you might encounter.

SAFETY INFORMATION

Before operating this tiller, read and observe all warnings, cautions, and instructions on the tiller and in this Owner's Manual.

NOTE: The following safety information is not meant to cover all possible conditions and situations that may occur. Read the entire Owner's Manual for safety and operating instructions. Failure to follow instructions and safety information could result in serious injury or death.

This safety alert symbol is used to identify safety information about hazards that can result in personal injury.



A signal word (DANGER, WARNING, or CAUTION) is used with the alert symbol to indicate the likelihood and the potential severity of injury. In addition, a hazard symbol may be used to represent the type of hazard.

DANGER Indicates a hazard, which, if not avoided, will result in death or serious injury.

WARNING Indicates a hazard, which, if not avoided, could result in death or serious injury.

CAUTION Indicates a hazard, which, if not avoided, might result in minor or moderate injury.

CAUTION Without the alert symbol, indicates a situation that could result in damage.

GENERAL SAFETY RULES

Safety is a combination of common sense, staying alert, and knowing how your tiller works.
SAVE THESE SAFETY INSTRUCTIONS.



WARNING: Do not operate this unit until you read this instruction manual for safety, operation and maintenance instructions. Failure to follow all instructions listed below may result in electric shock, fire, and/or serious personal injury.

WORK AREA SAFETY

- Keep work area clean and well lit. Cluttered or dark areas invite accidents.
- Do not operate power tools in explosive atmospheres, such as in the presence of flammable liquids, gases or dust. Power tools create sparks which may ignite the dust or fumes.
- Keep children and bystanders away . All visitors and pets should be kept a safe distance away from the work area.

ELECTRICAL SATETY

Grounding instructions

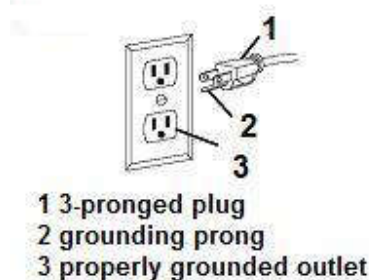
IN THE EVENT OF A MALFUNCTION OR BREAKDOWN, grounding provides the path of least resistance for electric current and reduces the risk of electric shock. This tool is equipped with an electric cord that has an equipment grounding conductor and a grounding plug. The plug **MUST** be plugged into a matching outlet that is properly installed and grounded in accordance with ALL local codes and ordinances.

DO NOT MODIFY THE PLUG PROVIDED. If it will not fit the outlet, have the proper outlet installed by a licensed electrician.

IMPROPER CONNECTION of the equipment grounding conductor can result in electric shock. The conductor with the green insulation (with or without yellow stripes) is the equipment grounding conductor. If repair or replacement of the electric cord or plug is necessary, **DO NOT** connect the equipment grounding conductor to a live terminal.

CHECK with licensed electrician or service personnel if you do not completely understand the grounding instructions, or if you are not sure if the tool is properly grounded.

USE ONLY THREE-WIRE EXTENSION CORDS that have 3-pronged plugs and outlets that accept the tool's plug as shown in Fig. A. Repair or replace a damaged or worn cord immediately.



CAUTION: In all cases, make certain the outlet in question is properly grounded. If you are not sure if it is, have a licensed electrician check the outlet.



WARNING: Do not expose to rain or use in damp locations.

Guidelines for using extension cords

Make sure your extension cord is in good condition. When using an extension cord, be sure to use one heavy enough to carry the current your product will draw. An undersized cord will cause a drop in line voltage resulting in loss of power and overheating. The table below shows the correct size to be used according to cord length and nameplate ampere rating. If in doubt, use the next heavier gauge. The smaller the gauge number, the heavier the cord.

Minimum Gauge for Extension Cords (AWG)
(When using 120 V only)

| Ampere Rating | | Total Length of Cord in feet | | | |
|---------------|---------------|------------------------------|----|-----------------|-----|
| More Than | Not More Than | 25 | 50 | 100 | 150 |
| 0 | 6 | 18 | 16 | 16 | 14 |
| 6 | 10 | 18 | 16 | 14 | 12 |
| 10 | 12 | 16 | 16 | 14 | 12 |
| 12 | 16 | 14 | 12 | Not Recommended | |

Make sure your extension cord is properly wired and in good condition. Always replace a damaged extension cord or have it repaired by a qualified person before using it.

Protect your extension cords from sharp objects, excessive heat and damp or wet areas.

Use a separate electrical circuit for your tools. This circuit must not be less than a #12 wire and should be protected with a 15 A time-delayed fuse. Before connecting the motor to the power line, make sure the switch is in the OFF position and the electric current is rated the same as the current stamped on the motor nameplate. Running at a lower voltage will damage the motor.



WARNING: This tool must be grounded while in use to protect the operator from electric shock.

PERSONAL SAFETY

- All visitors, children and pets should stay at a safe distance from the work area. Keep bystanders away.
- Stay alert. Watch what you are doing. Use common sense. Do not operate the product when you are tired or under the influence of drugs, alcohol or medications.
- Use right appliance. Do not use an appliance for any job except that for which it is intended.
- Don't wear loose clothing or jewelry. Wear protective hair covering to contain long hair. They can be caught in moving parts. Use of rubber gloves and substantial footwear is recommended when working outdoors.

- Wear safety glasses with side shields or goggles that are marked to comply with ANSI Z87.1 standard when operating this product. Use face or dust mask if environment is dusty.
- Do not operate the equipment while barefoot or when wearing sandals or similar lightweight footwear. Wear protective footwear that will protect your feet and improve your footing on slippery surfaces.
- Keep all parts of your body away from any moving part.
- Do not overreach. Keep firm footing and balance. Overreaching can result in loss of balance.
- Prevent unintentional starting. Ensure the switch is in the off-position before connecting to power source and/or battery pack, picking up or carrying the tool. Carrying power tools with your finger on the switch or energising power tools that have the switch on invites accidents.
- Do not use on a ladder or unstable support. Stable footing on a solid surface enables better control of the power tool in unexpected situations.
- Ground Fault Circuit Interrupter(GFCI) protection should be provided on the circuit(s) or outlet(s) to be used for the product. Receptacles are available having built-in GFCI protection and may be used.



WARNING: Some dust created by this product contains chemicals known to the State of California to cause cancer, birth defects or other reproductive harm. Some examples of these chemicals are:

- compounds in fertilizers
- compounds in insecticides, herbicides and pesticides
- arsenic and chromium from chemically treated lumber

Your risk from exposure to these chemicals varies depending on how often you do this type of work. To reduce your exposure to these chemicals, wear approved safety equipment such as dust masks that are specially designed to filter out microscopic particles.

POWER TOOL USE AND CARE

- Know this tool. Read manual carefully, learn its applications and limitations, as well as the specific potential hazards related to this tool.
- Check for misalignment or binding of moving parts, breakage of parts, and any other condition that may affect the power tools operation. If damaged, have the power tool serviced before using. Many accidents are caused by poorly maintained tools.
- Do not force power tool. Use the correct power tool for your application. The correct power tool will do the job better and safer at the rate for which it is designed.
- Disconnect the plug from the power source and/or the battery pack from the power tool before making any adjustments, changing accessories, or storing power tools. Such preventive safety measures reduce the risk of starting the power tool accidentally.
- Store idle power tools out of reach of children and other untrained persons. Power tools are dangerous in the hands of untrained users.
- Check operation of the tool before use. Do not use the tool if the workpiece contact mechanism is not working correctly as accidental driving of a fastener may occur.
- Do not use the power tool if switch does not turn it on or off. Any power tool that cannot be controlled with the switch is dangerous and must be repaired.
- Keep cutting tools sharp and clean. Properly maintained cutting tools with sharp cutting edges are less likely to bind and are easier to control.
- Do not operate the tool if it does not contain a legible warning label.
- Use the power tool, accessories and tool bits etc. in accordance with these instructions, taking into account the working conditions and the work to be performed. Use of the power tool for operations different from those intended could result in a hazardous situation.

- Save these instructions. Refer to them frequently and use them to instruct others who may use this tool. If you lend this tool to someone else, also lend them these instructions.

BATTERY TOOL USE AND CARE



WARNING: USE ONLY POWERSMART APPROVED REPLACEMENT BATTERIES, OTHER BATTERIES MAY CAUSE INJURY OR DAMAGE TO TILLER. Use with POWERSMART 20V battery.

Battery safety rules

- Battery tools do not have to be plugged into an electrical outlet; therefore, they are always in operating condition. Be aware of possible hazards when not using your battery tool or when changing accessories. Following this rule will reduce the risk of electric shock, fire, or serious personal injury.
- Do not place battery tools or their batteries near fire or heat. This will reduce the risk of explosion and injury.
- Do not crush, drop or damage battery pack. Do not use a battery pack or charger that has been dropped or received a sharp blow. A damaged battery is subject to explosion. Properly dispose of a dropped or damaged battery immediately.
- Batteries can explode in the presence of a source of ignition, such as a pilot light. To reduce the risk of serious personal injury, never use any cordless product in the presence of open flame. An exploded battery can propel debris and chemicals. If exposed, flush with water immediately. Do not charge battery tool in a damp or wet location. Following this rule will reduce the risk of electric shock.
- For best results, your battery tool should be charged in a location where the temperature is more than 45°F but less than 104°F. To reduce the risk of serious personal injury, do not store outside or in vehicles.
- Under extreme usage or temperature conditions, battery leakage may occur. If liquid comes in contact with your skin, wash immediately with soap and water. If liquid gets into your eyes, flush them with clean water for at least 10 minutes, then seek immediate medical attention. Following this rule will reduce the risk of serious personal injury.
- When battery pack is not in use, keep it away from other metal objects like: paper clips, coins, keys, nails, screws, or other small metal objects that can make a connection from one terminal to another. Shorting the battery terminals together may cause sparks, burns, or a fire.
- Always remove battery pack from your tool when you are assembling parts, making adjustments, cleaning, or when not in use. Removing battery pack will prevent accidental starting that could cause serious personal injury.
- Always remove battery pack before storing the device. When battery becomes fully charged, unplug the charger from the power supply and remove the battery pack from the charger.
- Always wear eye protection with side shields marked to comply with ANSI Z87.1, along with hearing protection. Failure to do so could result in objects being thrown into your eyes and other possible serious injuries.
- Keep battery pack dry, clean, and free from oil and grease. Always use a clean cloth when cleaning. Never use brake fluids, gasoline, petroleum-based products, or any solvents to clean battery pack.
- Do not open or mutilate the battery. Released electrolyte is corrosive and may cause damage to the eyes or skin. It may be toxic if swallowed.

Proper care for battery

Off-season storage

To obtain the longest possible battery life, we suggest the following:

- Remove the battery pack from the charger once it is fully charged and ready for use.

For battery pack storage longer than 30 days:

- Store the battery pack where the temperature is below 80°F and away from moisture.
- Store battery packs in a fully charged condition.
- Every two months of storage, charge the pack as normal.

Charger safety rules

- Charge the battery in a dry area that is protected from the weather. Do not expose the product or the charger to rain. Do not charge the battery in a wet location. Operate the battery charger in temperatures between 45° and 104°F. In order to reduce the risk of electric shock, use only the charger that is provided by the manufacturer to charge the battery.
- **DO NOT ABUSE THE CHARGE CORD.** Never carry the charger by the cord. Do not disconnect the charger from the outlet by pulling the charger cord.
- Do not use a damaged charger. Replace the charger cords or the charger immediately.
- Keep the product and the charger away from water, heat sources (radiators, heaters, stoves, etc.), flames, and chemicals.
- Make sure the battery pack is secured in the charger before beginning operation.
- The battery pack will become slightly warm to the touch while charging. This is normal and does not indicate a problem.
- Do not place the charger and battery pack in an area of extreme heat or cold. They will work best at normal room temperature.
- When batteries become fully charged, unplug the charger from the power supply and remove the battery pack.



WARNING: When transporting or servicing unit, always remove the battery.

SERVICE











- Tool service must be performed only by qualified repair personnel. Service or maintenance performed by unqualified personnel could result in a risk of injury.
- When servicing a tool, use only identical replacement parts. Follow instructions in the Maintenance section of this manual. Use of unauthorized parts or failure to follow Maintenance Instructions may create a risk of electric shock or injury.

SPECIFIC SAFETY RULES FOR TILLER

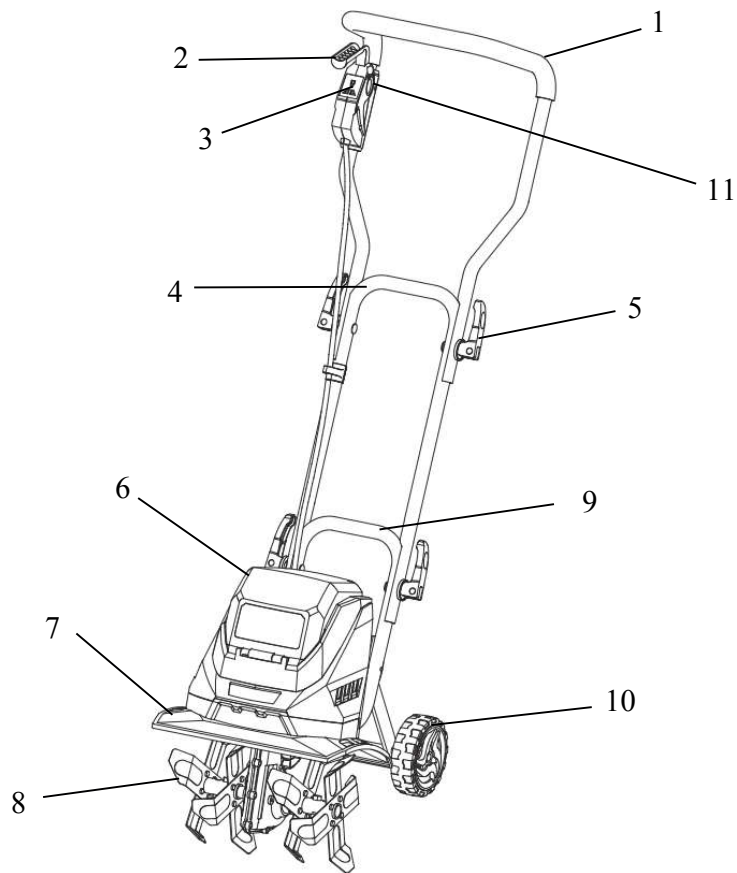
- Do not use near underground electric cables, telephone, lines, pipes, or hoses. If in doubt, contact your utility or telephone company to locate underground services.
- If the unit strikes a foreign object, stop the motor, disconnect the battery, thoroughly inspect the machine for any damage, and repair the damage before restarting and operating the machine.
- Do not overload the machine capacity by cultivating too deep in a single pass or at too fast a rate.
- Stay alert. Watch what you are doing. Use common sense. Do not operate tiller when you are tired, ill, or upset.
- Be aware that the equipment may unexpectedly bounce upward or jump forward if the tines should strike buried obstacles such as large stones, roots, or stumps.
- Wear hearing protection.
- Ensure that people and pets are at least 50 feet (15 m) away from cultivator while in use.
- Replace worn or damaged parts only with identical replacement parts.
- Ensure that work area is free of slippery spots or excessive quantities of stone.
- Start the tiller carefully according to instructions from a normal operating position and with feet well away from the tines. Do not force tiller. It will do the job better and with less likelihood of a risk of injury at the rate for which it was designed.
- Remove the battery from unit before unclogging the tines and when making any repairs, adjustments, or inspections.
- Never operate the equipment on a slope.
- Use extreme caution when pulling the machine towards you.
- When not in use, the tiller should be stored indoors in dry, and high or locked-up place – out of reach of children.
- Keep tines clean for best performance and reduce the risk of injury. Follow instructions for lubrication and changing accessories. Inspect tiller cord periodically and, if damaged, have it replaced. Keep handles dry, clean, and free from grease and oil.
- Keep children away. All visitors and bystanders should be kept at a distance of at least 50 feet from work area.
- Do not use the tiller for any job except that for which it is intended.
- Don't grasp the exposed cutting blades or cutting edges when picking up or holding the appliance.
- Check damaged parts. Before further use of this cultivator, a guard or other part that is damaged should be carefully checked to determine that it will operate properly and perform its intended function. Check for alignment of moving parts, binding of moving parts, breakage of parts, mounting, and any other condition that may affect its operation. A guard or other part that is damaged should be properly repaired or replaced by an authorized service center unless otherwise indicated elsewhere in this manual.
- Save these instructions. Refer to them frequently and use them to instruct others who may use this tiller. If you loan someone this unit, loan them these instructions also.

SYMBOLS

Some of the following symbols may be used on this product. Please study them and learn their meaning. Proper interpretation of these symbols will allow you to operate the product better and safer.

| SYMBOL | NAME | DESIGNATION/EXPLANATION |
|---|------------------------|---|
| V | Volts | Voltage |
| A | Amperes | Current |
| Hz | Hertz | Frequency (cycles per second) |
| W | Watts | Power |
| min | Minutes | Time |
|  | Safety Alert | Precautions that involve your safety. |
|  | Read the user's manual | To reduce the risk of injury, user must read and understand user's manual before using this product. |
|  | Eye protection | Always wear safety goggles or safety glasses with side shields and, as necessary, a full face shield when operating this product. |
|  | Wet conditions alert | Do not expose to rain or use in damp locations. |
|  | No Hands Symbol | Failure to keep your hands away from the blade will result in serious personal injury. |
|  | Gloves | Wear protective gloves and non-slip footwear when using the machine and handling debris. |
|  | Cutting Hazard | Keep feet and hands away from rotating tines. |
|  | Ricochet | Beware of foreign objects that could be thrown from the appliance. Keep bystanders a safe distance away from the work area. |
|  | Keep Bystanders away | Keep all bystanders at least 50 ft. away. |
|  | Electric shock alert | Beware of electric shock hazard. |

KNOWING YOUR TILLER



| | | | |
|----|-----------------|----|---------------------|
| 1 | Upper handle | 2 | Trigger switch |
| 3 | Power indicator | 4 | Middle handle |
| 5 | Knob | 6 | Battery compartment |
| 7 | Guard | 8 | Tines |
| 9 | Lower handle | 10 | Wheel |
| 11 | Safety button | | |

Unpacking

Unpack the product and all its parts, and compare against the list below. Do not discard the carton or any packaging materials. Please call 1-800-791-9458 or E-mail us at support@amerisuninc.com if any parts are damaged or missing.

Including:

- Tiller
- Middle handle
- Wheel x 2pcs
- Wheel cover x 2pcs
- Cable clip
- Cotter pin
- Knob x 4pcs
- Nut x 4pcs
- Step bolt x 4pcs
- Press plate x 4pcs
- Battery x 2pcs
- Charger
- User manual

ASSEMBLY



WARNING:

Do not use this product if any parts on the packing list are already assembled to your product when you unpack it. Parts on this list are not assembled to the product by the manufacturer and require customer installation. Use of a product that may have been improperly assembled could result in serious personal injury.



WARNING:

If any parts are damaged or missing do not operate this product until the parts are replaced. Use of this product with damaged or missing parts could result in serious personal injury.



WARNING:

Do not attempt to modify this product or create accessories not recommended for use with this product. Any such alteration or modification is misuse and could result in a hazardous condition leading to possible serious personal injury.

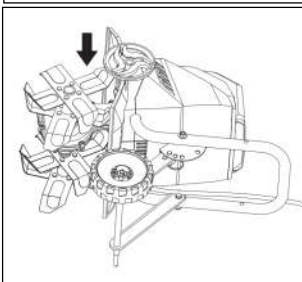
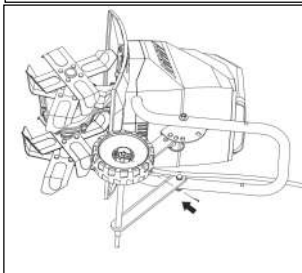
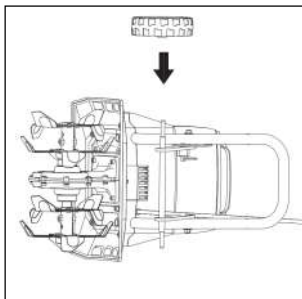


WARNING:

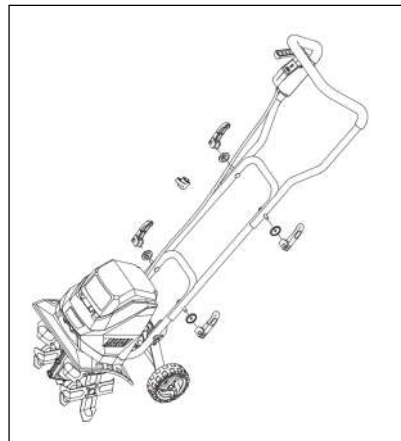
Do not connect to power supply until assembly is complete. Failure to comply could result in accidental starting and possible serious personal injury.

CONNECTING THE HANDLES

1. Assemble the wheels onto the axle shown below and insert the cotter pin into the hole in the axles. Bend the cotter pin to secure. Then install the wheel cover.



2. Attach the middle handle section to the lower handle sections using the bolts and knobs. Tighten the knobs on each side to ensure a secure fit. Then connect the upper handle to the middle handle using the bolts and knobs. Tighten the knobs on each side to ensure a secure fit.



CONNECTING AND REMOVING BATTERY

IMPORTANT!

The battery pack is not charged when it is purchased. Before using the power tool for the first time, place the battery pack in the battery charger and charge. Make sure to read all safety precautions, and follow the instructions in the battery charger section.

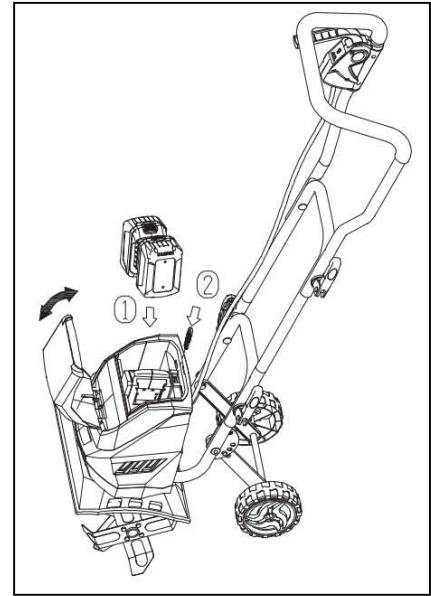
To install the battery pack

1. Open the battery compartment cover and align guided ribs on battery pack with grooves in the product's battery port, slide the battery vertical down.

Note: Make sure the latch on bottom of the battery pack snaps in place and that battery pack is fully seated and secure in the product before beginning operation.

2. Insert the safety key into the slot and close the battery compartment cover.

WARNING: If the machine is not going to be used immediately, do not insert the safety key.



To remove the battery pack

- Remove safety key.
- Press and hold the battery latch button at the bottom of the battery pack.
- Remove battery pack from the product.



WARNING: Follow these instructions in order to avoid injury and to reduce the risk of electric shock or fire:

- Replace the battery pack or the charger immediately if the battery case or charger cord is damaged.
- Verify that the battery pack is removed before inspecting, adjusting, or performing maintenance on any part of the power tool.
- Read, understand, and follow the instructions.

OPERATING INSTRUCTIONS



WARNING: Do not allow familiarity with tools to make you careless. Remember that a careless fraction of a second is sufficient to inflict serious injury.



WARNING: Always wear safety goggles or safety glasses with side shields when operating tools. Failure to do so could result in objects being thrown into your eyes, resulting in possible serious injury.



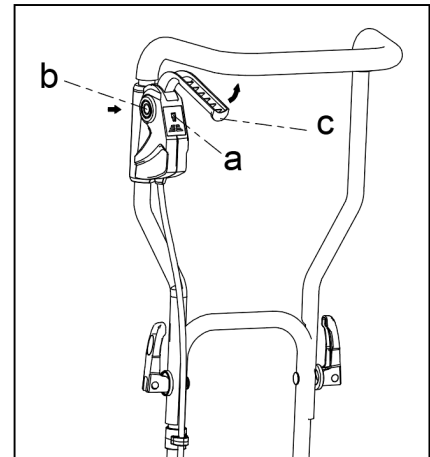
WARNING: Do not use any attachments or accessories not recommended by the manufacturer of this tool. The use of attachments or accessories not recommended can result in serious personal injury.



WARNING: Do not allow hands, feet, or any other part of the body or clothing near the rotating tines or any other moving part. The tines begin to rotate forward once the switch trigger is depressed. The tines continue to rotate until the switch trigger is released. Failure to avoid contact could cause serious personal injury.

TO START THE TILLER

1. Insert the battery packs into the unit.
2. Insert safety key and close cover.
3. Press the the power switch(a), and the power indicator lights up.
4. Press the safety button(b) and squeeze the trigger switch(c) at the same time. Then you can release safety button after tines turning.



TO STOP THE TILLER

1. Release the trigger switch.
2. Remove the battery pack and store in a secure location out of the reach of children.
3. Remove safety key.

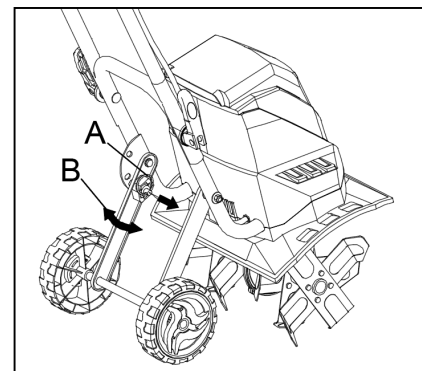
ADJUSTING THE WHEEL



WARNING: Always switch the product off and disconnect it from the power supply before making any adjustments.

The wheels can be adjusted to 4 different positions to control the cultivating depth. To adjust the wheel frame:

- Pull out the lock pin (A).
- Rotate the wheel frame upward or downward, so that it snaps beneath the lock button on the back of the motor housing (B)
- Release the lock pin. The wheel frame will be locked in place by the lock button.



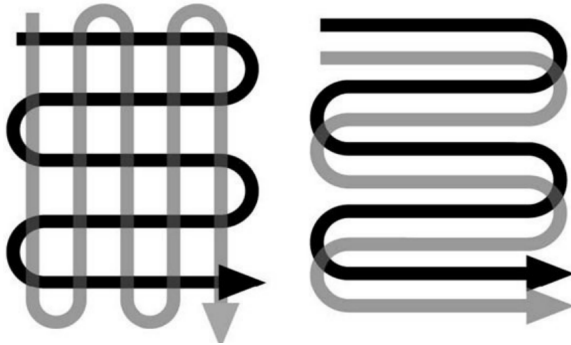
OPERATING TIPS



WARNING: Stop the motor if the product strikes a foreign object. Switch the product off, disconnect it from the power supply, and let it cool completely. Inspect the product thoroughly for damage and have any damage repaired before restarting.

- Use the tiller for breaking sod, preparing seed beds, and for cultivating gardens and flower beds. The tiller can also dig small holes for planting saplings or potted plants.
- For breaking sod or deep tilling, allow the tines to pull the tiller forward to the end of your arm's reach, then firmly pull it back toward yourself. You will achieve the best results by repeatedly allowing it to move forward and pulling it back.
- By pulling the tiller back towards yourself, the tines will dig deeper and more aggressively. To prevent tripping, take extra precautions when moving backwards and when pulling the tiller back toward yourself.
- If the tiller digs deep enough to stay in one spot, gently rock it side to side until it starts moving forward again.
- When working on inclines always stand diagonally to the incline to retain a firm, safe footing. Do not work on extremely steep slopes.

- For preparing seed beds, we recommend using one of these tilling patterns:
Tilling Pattern A - Make two passes over area to be tilled, the second at a right angle to the first.
Tilling Pattern B- Make two passes over area to be tilled, the second overlapping the first.



- Before use, remove any visible stones or other foreign bodies from the area.
- Do not till very wet soil because wet soil tends to stick to the working tool, preventing proper tine rotation; it could also cause you to slip and fall.
- Always maintain a firm grip on the product. For better guidance, apply light pressure to the handles.
- Pay special attention when changing direction. Apply light pressure to the handle in order to lift the tines and facilitate the turn. Turn the product around using the wheels as a guide. Gradually release pressure on the handle and move the tines back to the ground.



WARNING: Before moving the tiller from one area to another switch off the tiller and wait for the tines to come to a complete stop. Be careful not to let the tines touch the ground while moving the tiller. The tines as well as the unit itself may be damaged even if the motor is switched off.

AFTER USE

- Switch the product off, disconnect it from the power supply, and let it cool completely.
- Check, clean, and store the product as described below.

MAINTENANCE



WARNING: To avoid serious personal injury, always remove the battery pack from the product before inspecting, cleaning or performing any maintenance.



WARNING: Always wear safety gloves when working on or near the working tool. Wear eye protection with side shields marked to comply with ANSI Z87.1. If operation is dusty, also wear a dust mask.



WARNING: When servicing, use only identical replacement parts. Use of any other parts may create a hazard or cause product damage.



WARNING: Periodically inspect the entire product for damaged, missing, or loose parts such as screws, nuts, bolts, caps, etc. Tighten securely all fasteners and caps and do not operate this product until all missing or damaged parts are replaced.

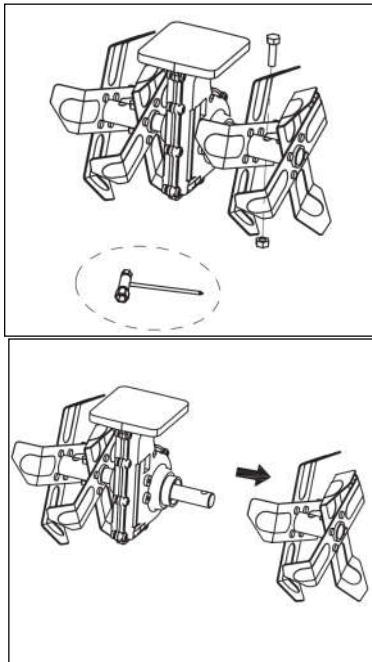
CHANGING THE TINES

Note: The tiller is fitted with four tines that can easily be changed in pairs. Both of the steel blade tine pairs can be fitted on the left or right, as required. Always change both tine pairs at the same time to avoid imbalance and damage to the machine.

To replace the tines, follow the steps below:

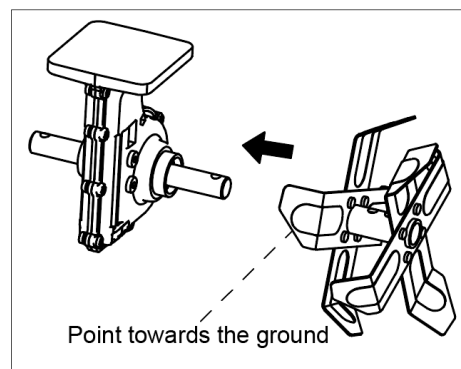
1. While standing on a flat and stable surface, switch the tiller off and remove the battery.

2. Use the socket spanner to remove the bolt and nut, then remove the steel blade tines.

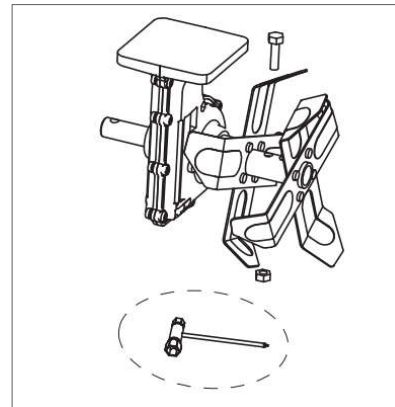


3. Clean the drive shaft with biodegradable oil.

4. Make sure the angled edge of the tines point towards the ground, then place the new tines onto the drive shaft so that the holes on the tines line up with the holes on the drive shaft.



5. Use the socket spanner to secure the bolt and nut.



IMPORTANT: The tines must be set in the correct turning direction. Note the way the old tines came off and replace the new ones exactly the same way.

GENERAL MAINTENANCE

- Keep the product clean. Remove any debris after each use and before storage.
- Regular and proper cleaning will help ensure safe use and prolong the life of the product.
- Inspect the product before each use for worn and damaged parts. If you find broken and/or worn parts, do not use the tool.

- Clean the product with a dry cloth. Use a brush for areas that are hard to reach. Be sure to clean the air vents after every use with a cloth and brush.



WARNING: Do not use chemical, alkaline, abrasive, or other aggressive detergents or disinfectants to clean this product as such substances might damage the tool's surfaces

STORING

The following steps should be taken before storing the tiller for the season.

- Clean dirt, grass, and other materials from the entire unit.
- Wipe the tines with oil or spray them with silicone lubricant to prevent rusting.
- Oil the switch trigger cable and all visible moving parts. Do not remove the motor cover.
- Order new parts to replace any that are badly worn or broken.
- Store in an upright position in a clean, dry place. Store with the handles in the extended position, or loosen handle knobs and fold handles down. Do not allow switch trigger cable to become pinched when lowering the handlebar.

ENVIRONMENTALLY SAFE BATTERY DISPOSAL

The batteries used in this tiller's battery pack contain the following toxic and corrosive material:
LITHIUM-ION.



WARNING: Toxic materials must be disposed of in a specified manner in order to prevent contamination of the environment. Before disposing of damaged or worn out Lithium-Ion battery packs, contact your local waste disposal agency for information and specific instructions. Take the batteries to a local recycling and/or disposal center that is certified for disposal. If the battery pack cracks or breaks, whether it leaks or not, do not recharge it and do not use it. Dispose of it and replace it with a new battery pack. **DO NOT ATTEMPT TO REPAIR IT!**

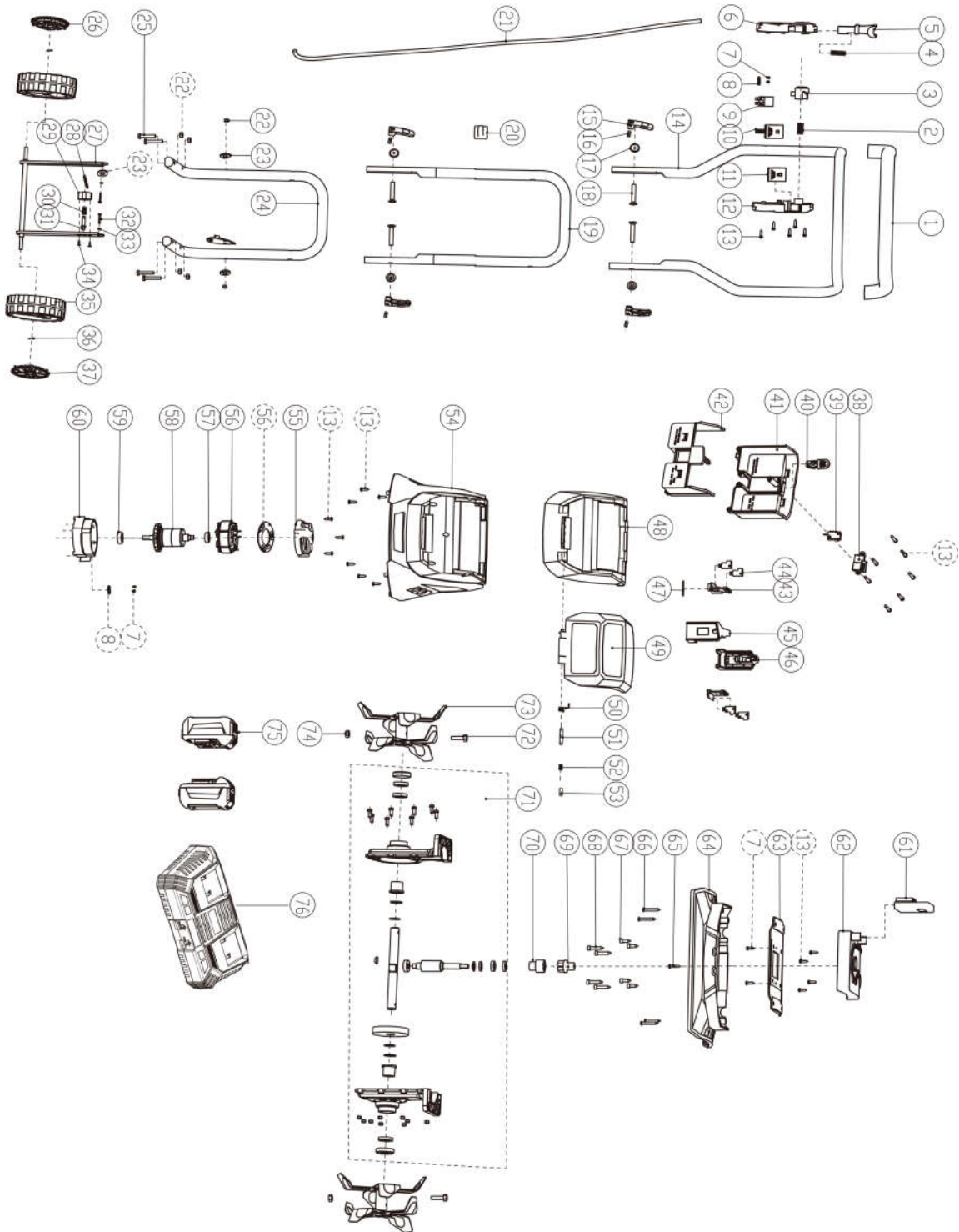
Follow these instructions in order to avoid injury and the risk of fire, explosion, or electric shock, and to avoid damage to the environment:

- Cover the battery's terminals with heavy-duty adhesive tape.
- Do not attempt to remove or destroy any of the components of the battery pack.
- Do not attempt to open the battery pack.
- If a leak develops, the electrolytes that are released are corrosive and toxic. Do not get the solution in the eyes or on the skin, and do not swallow it.
- Do not place batteries in regular household trash.
- DO NOT incinerate batteries.
- DO NOT place batteries where they will become part of any waste landfill or municipal solid waste stream.
- Dispose of batteries at a certified recycling or disposal center.

TROUBLESHOOTING

| Problem | Cause | Solution |
|---|--|--|
| Motor fails to start when switch trigger is depressed | The battery is not inserted in or connection is loose. | Insert the battery into unit. |
| | Defective cable | Check cable. Repair or replace if required |
| | Defective safety switch/plug | Arrange for repair |
| | Overheat protection activated | 1. Working depth too large, set to a shorter depth. 2. Tines blocked, remove the blockage. 3. Soil too hard, select correct work depth and move forward and backward several times while slowing down the operation speed. Wait until the motor cools down for about 15 minutes before further use. |
| Abnormal noises | Tine is jammed | Switch off . Wait till tines comes to a complete stop. Remove jammed objects. |
| | Lubrication running out | Tiller/cultivator must be repaired. Call our customer service help line at 1-800-791-9458 for assistance. |
| | Bolts, nuts or other components are loose. | Tighten all components. Arrange for repair if noises continue. |
| Abnormal vibrations | Tines damaged or worn | Replace damaged or worn tines. |
| | Working depth too large | Set to correct working depth. |
| Poor results | Working depth too small | Set to correct working depth. |
| | Worn tines | Replace damaged or worn tines |

EXPLODED VIEW & PARTS LIST



| Item | stock# | Description | QTY | Item | stock# | Description | QTY |
|------|--------------|--------------------------|-----|------|--------------|------------------------------------|-----|
| 1 | PS76221A-001 | Sponge sheath | 1 | 26 | PS76221A-026 | Left wheel cover | 1 |
| 2 | PS76221A-002 | Button spring | 1 | 27 | PS76221A-027 | Wheel axle assy | 1 |
| 3 | PS76221A-003 | Anti self-locking button | 1 | 28 | PS76221A-028 | Pull-tab | 1 |
| 4 | PS76221A-004 | Trigger spring | 1 | 29 | PS76221A-029 | Fixed seat | 1 |
| 5 | PS76221A-005 | Switch trigger | 1 | 30 | PS76221A-030 | Anti self-locking spring | 1 |
| 6 | PS76221A-006 | Top cover of switch | 1 | 31 | PS76221A-031 | Adjust pin | 1 |
| 7 | PS76221A-007 | Screw ST4x12 | 6 | 32 | PS76221A-032 | Bolt | 2 |
| 8 | PS76221A-008 | Pressing plate | 2 | 33 | PS76221A-033 | Bushing | 2 |
| 9 | PS76221A-009 | Switch | 1 | 34 | PS76221A-034 | Screw ST4x16 | 2 |
| 10 | PS76221A-010 | Power display | 1 | 35 | PS76221A-035 | Wheel | 2 |
| 11 | PS76221A-011 | Power display | 1 | 36 | PS76221A-036 | Bearing clip | 2 |
| 12 | PS76221A-012 | Lower cover of switch | 1 | 37 | PS76221A-037 | Right wheel cover | 1 |
| 13 | PS76221A-013 | Screw ST4x16 | 25 | 38 | PS76221A-038 | Switch board | 1 |
| 14 | PS76221A-014 | Upper handle | 1 | 39 | PS76221A-039 | Microswitch | 1 |
| 15 | PS76221A-015 | Knob | 4 | 40 | PS76221A-040 | Key | 1 |
| 16 | PS76221A-016 | Nut | 4 | 41 | PS76221A-041 | Top cover of battery compartment | 1 |
| 17 | PS76221A-017 | Pressing plate | 4 | 42 | PS76221A-042 | Lower cover of battery compartment | 1 |
| 18 | PS76221A-018 | Step bolt | 4 | 43 | PS76221A-043 | E-rings seat | 2 |
| 19 | PS76221A-019 | Middle handle | 1 | 44 | PS76221A-044 | E-rings | 4 |
| 20 | PS76221A-020 | Cable clip | 1 | 45 | PS76221A-045 | Left E-rings seat cover | 1 |
| 21 | PS76221A-021 | Cable | 1 | 46 | PS76221A-046 | Right E-rings seat cover | 1 |
| 22 | PS76221A-022 | Locknut | 6 | 47 | PS76221A-047 | Connector | 1 |
| 23 | PS76221A-023 | Gasket | 3 | 48 | PS76221A-048 | Ornament cover | 1 |
| 24 | PS76221A-024 | Lower handle | 1 | 49 | PS76221A-049 | Transparent cover | 1 |
| 25 | PS76221A-025 | outer hexagonal bolt | 4 | 50 | PS76221A-050 | Torsional spring | 1 |

| Item | stock# | Description | QTY | Item | stock# | Description | QTY |
|------|--------------|--------------------------|-----|------|--------------|-----------------------|-----|
| 51 | PS76221A-051 | Long cylindrical pin | 1 | 64 | PS76221A-064 | Base | 1 |
| 52 | PS76221A-052 | Spring | 1 | 65 | PS76221A-065 | Screw ST4x30 | 1 |
| 53 | PS76221A-053 | Short cylindrical pin | 1 | 66 | PS76221A-066 | Screw ST5x40 | 4 |
| 54 | PS76221A-054 | Housing | 1 | 67 | PS76221A-067 | Screw ST6x25 | 4 |
| 55 | PS76221A-055 | Motor upper bracket | 1 | 68 | PS76221A-068 | Screw ST6x30 | 4 |
| 56 | PS76221A-056 | Stator | 1 | 69 | PS76221A-069 | Upper joint sleeve | 1 |
| 57 | PS76221A-057 | Deep groove ball bearing | 1 | 70 | PS76221A-070 | Lower joint sleeve | 1 |
| 58 | PS76221A-058 | Rotor | 1 | 71 | PS76221A-071 | Transmission assembly | 1 |
| 59 | PS76221A-059 | Deep groove ball bearing | 1 | 72 | PS76221A-072 | Bolt | 2 |
| 60 | PS76221A-060 | Motor lower bracket | 1 | 73 | PS76221A-073 | Tines | 2 |
| 61 | PS76221A-061 | Controller | 1 | 74 | PS76221A-074 | Locknut | 2 |
| 62 | PS76221A-062 | Wind screen | 1 | 75 | PS76440B | Battery | 2 |
| 63 | PS76221A-063 | Fender | 1 | 76 | PS76018C-2 | Charger | 1 |

TWO (2) YEARS LIMITED WARRANTY

PowerSmart® is committed to building tools that are dependable for years. Our warranties are consistent with our commitment and dedication to quality.

TWO (2) YEARS LIMITED WARRANTY OF POWER SMART PRODUCTS FOR HOME USE.

PowerSmart ("Seller") warrants to the original purchaser only, that all PowerSmart consumer power tools will be free from defects in material or workmanship for a period of two (2) years from date of purchase. Ninety (90) days for all Power Smart Products, if the tool is used for professional or commercial use.

SELLER'S SOLE OBLIGATION AND YOUR EXCLUSIVE REMEDY under this Two (2) Years Limited Warranty and, to the extent permitted by law, any warranty or condition implied by law, shall be the repair or replacement of parts, without charge, which are defective in material or workmanship and which have not been misused, carelessly handled, or misrepaired by persons other than Seller or Authorized Service Center. To make a claim under this Limited Warranty, you must return the entire power tool product; transportation prepaid, to Power Smart Include a legible copy of the original receipt, which lists the date of purchase (month and year) and the name of the company purchased from.

THIS LIMITED WARRANTY DOES NOT APPLY TO ANY ACCESSORY ITEMS INCLUDED WITH THE TOOL SUCH AS CIRCULAR SAW BLADES OTHER RELATED ITEMS OR TO ANY REPLACEMENT PARTS LISTED UNDER MAINTENANCE.

ANY IMPLIED WARRANTIES SHALL BE LIMITED IN DURATION TO TWO (2) YEARS FROM DATE OF PURCHASE. SOME STATES IN THE U.S. AND SOME CANADIAN PROVINCES DO NOT ALLOW LIMITATIONS ON HOW LONG AN IMPLIED WARRANTY LASTS, SO THE ABOVE LIMITATION MAY NOT APPLY TO YOU.

IN NO EVENT SHALL SELLER BE LIABLE FOR ANY INCIDENTAL OR CONSEQUENTIAL DAMAGES (INCLUDING BUT NOT LIMITED TO LIABILITY FOR LOSS OF PROFITS) ARISING FROM THE SALE OR USE OF THIS PRODUCT. SOME STATES IN THE U.S. AND SOME CANADIAN PROVINCES DO NOT ALLOW THE EXCLUSION OR LIMITATION OF INCIDENTAL OR CONSEQUENTIAL DAMAGES, SO THE ABOVE LIMITATION OR EXCLUSION MAY NOT APPLY TO YOU.

THIS LIMITED WARRANTY GIVES YOU SPECIFIC LEGAL RIGHTS, AND YOU MAY ALSO HAVE OTHER RIGHTS WHICH VARY FROM STATE TO STATE IN THE U.S., PROVINCE TO PROVINCE IN CANADA AND FROM COUNTRY TO COUNTRY.

For questions / comments, technical assistance or repair parts –
Please call toll free at: 1-800-791-9458 (M-F 9am – 5pm EST)
Email: support@amerisuninc.com

SAVE YOUR RECEIPTS. THIS WARRANTY IS VOID WITHOUT THEM.