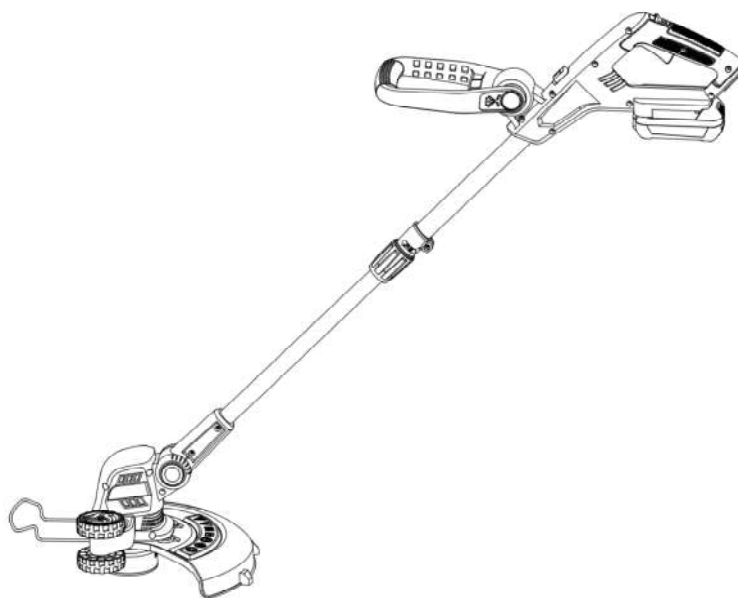


# POWERSMART<sup>®</sup>

## INSTRUCTION MANUAL

### 20V Cordless String Trimmer

Model # PS76112A



Have product questions or need technical support? Please scan the QR code to enter our official website and contact us!

Website: [www.powersmartusa.com](http://www.powersmartusa.com)

Toll free: 1-800-791-9458 M-F 9-5 EST

Email: [support@amerisuninc.com](mailto:support@amerisuninc.com)



Website



## **CONTENTS**

Technical data.....	3
Introduction.....	4
Safety information.....	4
General safety rules.....	5
Specific safety rules for string trimmer.....	10
Symbols.....	11
Knowing your string trimmer.....	12
Assembly instruction.....	13
Operating instruction.....	15
Maintenance.....	17
Environmentally safe battery disposal.....	18
Troubleshooting.....	19
Exploded view & parts list.....	20
Warranty statement.....	22

## **TECHNICAL DATA**

20V Cordless String Trimmer	Model # PS76112A
Power input:	20V
Cutting diameter:	12"
Line diameter:	0.065"
Spool type:	Auto feed
No load speed:	8000 RPM
Battery type:	20V Lithium-ion,2.0Ah
Battery model:	PS76020B
Charging time:	1.3 hours
Charger model:	PS76018C
Charger rating:	Input: 120VAC, 60Hz, 0.54A; Output: 20V DC, 1.5A
Package dimensions (L x W x H):	24.2 x 7.1 x 5.5 inches
Weight:	6.8 lb.

## **INTRODUCTION**

Thank You for Purchasing a PowerSmart® Product. This manual provides information regarding the safe operation and maintenance of this product. Every effort has been made to ensure the accuracy of the information in this manual. PowerSmart® reserves the right to change this product and specifications at any time without prior notice.

Please keep this manual available to all users during the entire life of the string trimmer.



This manual contains special messages to bring attention to potential safety concerns, string trimmer damage as well as helpful operating and servicing information. Please read all the information carefully to avoid injury and machine damage.

## **QUESTIONS? PROBLEMS?**

Please contact our Customer Service Dept. with any questions and/or comments, either by Email: support@amerisuninc.com, or Toll Free at (800)791-9458. We are available Mon-Fri 9am-5pm EST to help solve any issues that you might encounter.

## **SAFETY INFORMATION**

Before operating this string trimmer, read and observe all warnings, cautions, and instructions on the string trimmer and in this Owner's Manual.

NOTE: The following safety information is not meant to cover all possible conditions and situations that may occur. Read the entire Owner's Manual for safety and operating instructions. Failure to follow instructions and safety information could result in serious injury or death.

This safety alert symbol is used to identify safety information about hazards that can result in personal injury.



A signal word (DANGER, WARNING, or CAUTION) is used with the alert symbol to indicate the likelihood and the potential severity of injury. In addition, a hazard symbol may be used to represent the type of hazard.

**DANGER** Indicates a hazard, which, if not avoided, will result in death or serious injury.

**WARNING** Indicates a hazard, which, if not avoided, could result in death or serious injury.

**CAUTION** Indicates a hazard, which, if not avoided, might result in minor or moderate injury.

**CAUTION** Without the alert symbol, indicates a situation that could result in damage.

## **GENERAL SAFETY RULES**

Safety is a combination of common sense, staying alert, and knowing how your string trimmer works. **SAVE THESE SAFETY INSTRUCTIONS.**



**WARNING:** Do not operate this unit until you read this instruction manual for safety, operation and maintenance instructions. Failure to follow all instructions listed below may result in electric shock, fire, and/or serious personal injury.

### **WORK AREA SAFETY**

- Don't use trimmer in rain, damp or wet locations. Do not operate trimmer in gaseous or explosive atmospheres. Motors in these tools normally spark, and the sparks might ignite fumes.
- Check the work area before each use. Remove all objects such as rocks, broken glass, nails, wire, or line which can be thrown or become entangled in the machine.
- Keep bystanders away . All visitors and pets should be kept a safe distance away from the work area.

### **ELECTRICAL SAFETY**

#### **Grounding instructions**

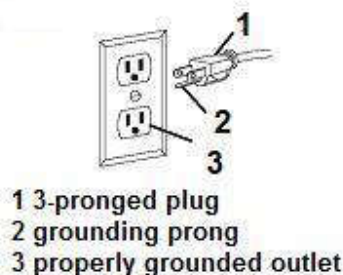
IN THE EVENT OF A MALFUNCTION OR BREAKDOWN, grounding provides the path of least resistance for electric current and reduces the risk of electric shock. This tool is equipped with an electric cord that has an equipment grounding conductor and a grounding plug. The plug **MUST** be plugged into a matching outlet that is properly installed and grounded in accordance with ALL local codes and ordinances.

**DO NOT MODIFY THE PLUG PROVIDED.** If it will not fit the outlet, have the proper outlet installed by a licensed electrician.

**IMPROPER CONNECTION** of the equipment grounding conductor can result in electric shock. The conductor with the green insulation (with or without yellow stripes) is the equipment grounding conductor. If repair or replacement of the electric cord or plug is necessary, **DO NOT** connect the equipment grounding conductor to a live terminal.

**CHECK** with licensed electrician or service personnel if you do not completely understand the grounding instructions, or if you are not sure if the tool is properly grounded.

**USE ONLY THREE-WIRE EXTENSION CORDS** that have 3-pronged plugs and outlets that accept the tool's plug as shown in Fig. A. Repair or replace a damaged or worn cord immediately.



**CAUTION:** In all cases, make certain the outlet in question is properly grounded. If you are not sure if it is, have a licensed electrician check the outlet.



**WARNING:** Do not expose to rain or use in damp locations.

**Guidelines for using extension cords**

Make sure your extension cord is in good condition. When using an extension cord, be sure to use one heavy enough to carry the current your product will draw. An undersized cord will cause a drop in line voltage resulting in loss of power and overheating. The table below shows the correct size to be used according to cord length and nameplate ampere rating. If in doubt, use the next heavier gauge. The smaller the gauge number, the heavier the cord.

**Minimum Gauge for Extension Cords (AWG)**  
(When using 120 V only)

Ampere Rating		Total Length of Cord in feet			
More Than	Not More Than	25	50	100	150
0	6	18	16	16	14
6	10	18	16	14	12
10	12	16	16	14	12
12	16	14	12	Not Recommended	

Make sure your extension cord is properly wired and in good condition. Always replace a damaged extension cord or have it repaired by a qualified person before using it.

Protect your extension cords from sharp objects, excessive heat and damp or wet areas.

Use a separate electrical circuit for your tools. This circuit must not be less than a #12 wire and should be protected with a 15 A time-delayed fuse. Before connecting the motor to the power line, make sure the switch is in the OFF position and the electric current is rated the same as the current stamped on the motor nameplate. Running at a lower voltage will damage the motor.



**WARNING:** This tool must be grounded while in use to protect the operator from electric shock.

**PERSONAL SAFETY**

- All visitors, children and pets should stay at a safe distance from the work area. Keep bystanders away.
- Stay alert. Watch what you are doing. Use common sense. Do not operate string trimmer when you are tired or under the influence of drugs, alcohol or medications.
- Use right appliance. Do not use an appliance for any job except that for which it is intended.

- Don't wear loose clothing or jewelry. Wear protective hair covering to contain long hair. They can be caught in moving parts. Use of rubber gloves and substantial footwear is recommended when working outdoors.
- Wear safety glasses with side shields or goggles that are marked to comply with ANSI Z87.1 standard when operating this product. Use face or dust mask if environment is dusty.
- Do not operate the equipment while barefoot or when wearing sandals or similar lightweight footwear. Wear protective footwear that will protect your feet and improve your footing on slippery surfaces.
- Keep all parts of your body away from any moving part.
- Do not overreach. Keep firm footing and balance. Overreaching can result in loss of balance.
- Avoid Accidental Start. Do not carry plugged in appliance with finger on trigger. Be sure the switch trigger is not engaged before plugging in.
- Do not use tool if switch trigger does not turn it on or off. Any tool that cannot be controlled with the switch trigger is dangerous and must be repaired.
- Disconnect appliance. Remove trimmer from power source before storing, servicing, changing accessories such as cutting line and when not in use. Such preventive safety measures reduce the risk of starting the tool accidentally.
- Do not abuse the cord . Never carry the string trimmer by the cord or yank the cord to disconnect it from the receptacle. Keep the cord away from heat, oil, and sharp edges.
- Ground Fault Circuit Interrupter(GFCI) protection should be provided on the circuit(s) or outlet(s) to be used for the string trimmer. Receptacles are available having built-in GFCI protection and may be used.
- Do not wear loose clothing or jewelry. They can get caught in moving parts. Protective rubber gloves and non-slip footwear are recommended when working outdoors.
- Use safety glasses . Also use safety footwear, snug-fitting clothing, protective gloves, hearing and head protection.



**WARNING:** Some dust created by this product contains chemicals known to the State of California to cause cancer, birth defects or other reproductive harm. Some examples of these chemicals are:

- compounds in fertilizers
- compounds in insecticides, herbicides and pesticides
- arsenic and chromium from chemically treated lumber

Your risk from exposure to these chemicals varies depending on how often you do this type of work. To reduce your exposure to these chemicals, wear approved safety equipment such as dust masks that are specially designed to filter out microscopic particles.

## **POWER TOOL USE AND CARE**

- Know this tool. Read manual carefully, learn its applications and limitations, as well as the specific potential hazards related to this tool.
- Check for misalignment or binding of moving parts, breakage of parts, and any other condition that may affect the power tools operation. If damaged, have the power tool serviced before using. Many accidents are caused by poorly maintained tools.
- Do not force power tool. Use the correct power tool for your application. The correct power tool will do the job better and safer at the rate for which it is designed.
- Maintain tools with care. Keep tool clean. A properly maintained tool, reduces the risk of binding and is easier to control.

- Store idle power tools out of reach of children and other untrained persons. Power tools are dangerous in the hands of untrained users.
- Check operation of the tool before use. Do not use the tool if the workpiece contact mechanism is not working correctly as accidental driving of a fastener may occur.
- Do not use the power tool if switch does not turn it on or off. Any power tool that cannot be controlled with the switch is dangerous and must be repaired.
- Keep the tool and its handle dry, clean and free from oil and grease. Always use a clean cloth when cleaning. Never use brake fluids, gasoline, petroleum-based products, or any strong solvents to clean your tool.
- Do not operate the tool if it does not contain a legible warning label.
- Use the power tool, accessories and tool bits etc. in accordance with these instructions, taking into account the working conditions and the work to be performed. Use of the power tool for operations different from those intended could result in a hazardous situation.
- Save these instructions. Refer to them frequently and use them to instruct others who may use this tool. If you lend this tool to someone else, also lend them these instructions.

## BATTERY TOOL USE AND CARE



**WARNING:** USE ONLY POWERSMART APPROVED REPLACEMENT BATTERIES, OTHER BATTERIES MAY CAUSE INJURY OR DAMAGE TO THE TRIMMER. Use with POWERSMART 20V battery.

### Battery safety rules

- Battery tools do not have to be plugged into an electrical outlet; therefore, they are always in operating condition. Be aware of possible hazards when not using your battery tool or when changing accessories. Following this rule will reduce the risk of electric shock, fire, or serious personal injury.
- Do not place battery tools or their batteries near fire or heat. This will reduce the risk of explosion and injury.
- Do not crush, drop or damage battery pack. Do not use a battery pack or charger that has been dropped or received a sharp blow. A damaged battery is subject to explosion. Properly dispose of a dropped or damaged battery immediately.
- Batteries can explode in the presence of a source of ignition, such as a pilot light. To reduce the risk of serious personal injury, never use any cordless product in the presence of open flame. An exploded battery can propel debris and chemicals. If exposed, flush with water immediately. Do not charge battery tool in a damp or wet location. Following this rule will reduce the risk of electric shock.
- For best results, your battery tool should be charged in a location where the temperature is more than 45°F but less than 104°F. To reduce the risk of serious personal injury, do not store outside or in vehicles.
- Under extreme usage or temperature conditions, battery leakage may occur. If liquid comes in contact with your skin, wash immediately with soap and water. If liquid gets into your eyes, flush them with clean water for at least 10 minutes, then seek immediate medical attention. Following this rule will reduce the risk of serious personal injury.
- When battery pack is not in use, keep it away from other metal objects like: paper clips, coins, keys, nails, screws, or other small metal objects that can make a connection from one terminal to another. Shorting the battery terminals together may cause sparks, burns, or a fire.
- Always remove battery pack from your tool when you are assembling parts, making adjustments, cleaning, or when not in use. Removing battery pack will prevent accidental starting that could cause serious personal injury.



- Always remove battery pack before storing the device. When battery becomes fully charged, unplug the charger from the power supply and remove the battery pack from the charger.
- Always wear eye protection with side shields marked to comply with ANSI Z87.1, along with hearing protection. Failure to do so could result in objects being thrown into your eyes and other possible serious injuries.
- Keep battery pack dry, clean, and free from oil and grease. Always use a clean cloth when cleaning. Never use brake fluids, gasoline, petroleum-based products, or any solvents to clean battery pack.
- Do not open or mutilate the battery. Released electrolyte is corrosive and may cause damage to the eyes or skin. It may be toxic if swallowed.

### Proper care for battery

#### Off-season storage

To obtain the longest possible battery life, we suggest the following:

- Remove the battery pack from the charger once it is fully charged and ready for use.

For battery pack storage longer than 30 days:

- Store the battery pack where the temperature is below 80°F and away from moisture.
- Store battery packs in a fully charged condition.
- Every two months of storage, charge the pack as normal.

### Charger safety rules

- Charge the battery in a dry area that is protected from the weather. Do not expose the string trimmer or the charger to rain. Do not charge the battery in a wet location. Operate the battery charger in temperatures between 45° and 104°F. In order to reduce the risk of electric shock, use only the charger that is provided by the manufacturer to charge the battery.
- **DO NOT ABUSE THE CHARGE CORD.** Never carry the charger by the cord. Do not disconnect the charger from the outlet by pulling the charger cord.
- Do not use a damaged charger. Replace the charger cords or the charger immediately.
- Keep the string trimmer and the charger away from water, heat sources (radiators, heaters, stoves, etc.), flames, and chemicals.
- Make sure the battery pack is secured in the charger before beginning operation.
- The battery pack will become slightly warm to the touch while charging. This is normal and does not indicate a problem.
- Do not place the charger and battery pack in an area of extreme heat or cold. They will work best at normal room temperature.
- When batteries become fully charged, unplug the charger from the power supply and remove the battery pack.



**WARNING:** When transporting or servicing unit, always remove the battery.



**WARNING:** Some dust created by power sanding, sawing, grinding, drilling and other construction activities contains chemicals known to the state of California to cause cancer, birth defects or other reproductive harm. Some examples of these chemicals are:

- Lead from lead-based paints,
- Crystalline silica from bricks and cement and other masonry products, and
- Arsenic and chromium from chemically-treated lumber.

- Your risk from these exposures varies, depending on how often you do this type of work. To reduce your exposure to these chemical: work in a well ventilated area, and work with approved safety equipment, such as those dust masks that are specially designed to filter out microscopic particles.

## **SERVICE**













- Tool service must be performed only by qualified repair personnel. Service or maintenance performed by unqualified personnel could result in a risk of injury.
- When servicing a tool, use only identical replacement parts. Follow instructions in the Maintenance section of this manual. Use of unauthorized parts or failure to follow Maintenance Instructions may create a risk of electric shock or injury.

## **SPECIFIC SAFETY RULES FOR STRING TRIMMER**

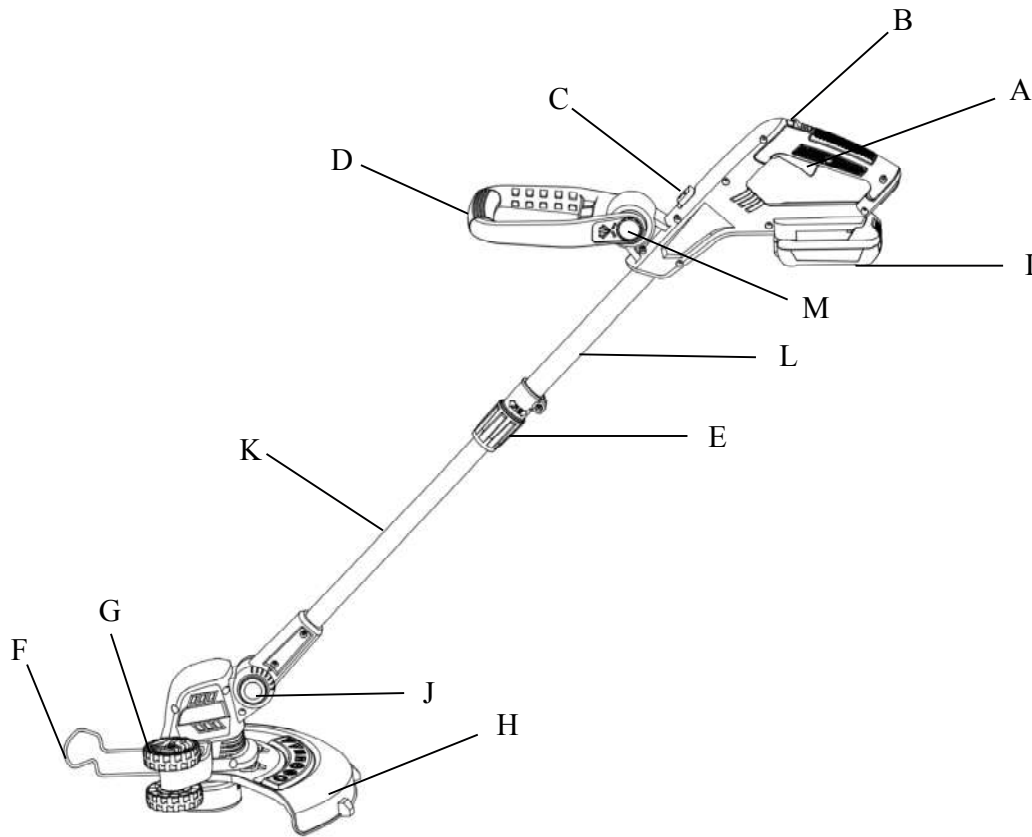
- Only operate trimmer in daylight or good artificial light.
- When being used as an Edger, stones, pieces of metal and other objects can be thrown out at high speed by the line. The tool and guard are designed to reduce the danger. However, the following special precautions should be taken: MAKE SURE that other persons and pets are at least 100 feet (30m) away.
- Use only the manufacturer's 0.065 in. diameter replacement line in the cutting head. Do not use any other cutting attachment, for example, metal wire, rope, or the like. To install any other brand of cutting head to this string trimmer can result in serious personal injury.
- Never operate unit without the grass deflector in place and in good condition.
- Check damaged parts. Before further use of the tool, a guard or other part that is damaged should be carefully checked to determine that it will operate properly and perform its intended function. Check for alignment of moving parts, binding of moving parts, breakage of parts, mounting and any other conditions that may affect its operation. A guard or other part that is damaged must be properly repaired or replaced by an authorized service center to avoid risk of personal injury.
- Never use blades, flailing devices, wire, or rope. Unit is designed for string trimmer use only. Use of any other accessories or attachments will increase the risk of injury.
- Keep the air vents clean and free of debris to avoid overheating the motor. Clean after each use.
- Stop the unit and disconnect the power source when not in use. Carry the unit with the motor stopped.
- Do not use the string trimmer with any type of accessory or attachment. Such usage might be hazardous.
- Risk of cut. Keep hands away from the line. Keep both hands on handles when power is on.
- Do not attempt to remove cut material or hold material to be cut when lines are moving. Make sure trimmer switch is off when clearing jammed material from guard. Do not grasp the guard or lines when picking up or holding the trimmer.
- Do not force trimmer. It will do the job better and with less likelihood of a risk of injury at the rate for which it was designed.
- When not in use, the string trimmer should be stored indoors in a dry and high or locked-up place, out of reach of children.

## SYMBOLS

Some of the following symbols may be used on this product. Please study them and learn their meaning. Proper interpretation of these symbols will allow you to operate the product better and safer.

SYMBOL	NAME	DESIGNATION/EXPLANATION
V	Volts	Voltage
A	Amperes	Current
Hz	Hertz	Frequency (cycles per second)
W	Watts	Power
MIN	Minutes	Time
	Safety Alert	Precautions that involve your safety.
	Read the user's manual	To reduce the risk of injury, user must read and understand user's manual before using this product.
	Eye protection	Wear eye protection when operating this equipment.
	Hearing protection	Use proper hearing protection when operating this equipment.
	Long hair	Failure to keep long hair away from moving parts could result in personal injury.
	Loose clothing	Failure to keep loose clothing away from moving parts could result in personal injury.
	Keep Bystanders away	Keep all bystanders at least 50 ft. away.
	Ricochet	Thrown objects can ricochet and result in personal injury or property damage.
	No Hand Symbol	Failure to keep your hands away from the blade will result in serious personal injury.
	Wet conditions alert	Do not expose to rain or use in damp locations.
	Electric shock alert	Beware of electric shock hazard.
	Environmental protection	Waste electrical products should not be disposed of with household waste. Please recycle where facilities exist. Check with your local authority or retailer for recycling advice.

# KNOWING YOUR STRING TRIMMER



**Fig.1**

A	Trigger switch	B	Lock off button
C	Edger function switch	D	Front handle
E	Shaft adjustment lock	F	Guide wire
G	Edger wheel	H	Safety guard
I	Battery	J	Angle adjustment button
K	Telescopic shaft	L	Upper shaft
M	Front handle adjustment button		

## **Unpacking**

Unpack the string trimmer and all its parts, and compare against the list below. Do not discard the carton or any packaging materials. Please call 1-800-791-9458 or E-mail us at [support@amerisuninc.com](mailto:support@amerisuninc.com) if any parts are damaged or missing.

Including: String trimmer / Safety guard / Edger wheel / Guide wire/ Battery and Charger / Hex key/ Screw/User manual

## **ASSEMBLY INSTRUCTIONS**



### **WARNING:**

Do not use this product if any parts on the packing list are already assembled to your product when you unpack it. Parts on this list are not assembled to the product by the manufacturer and require customer installation. Use of a product that may have been improperly assembled could result in serious personal injury.



### **WARNING:**

If any parts are damaged or missing do not operate this product until the parts are replaced. Use of this product with damaged or missing parts could result in serious personal injury.



### **WARNING:**

Do not attempt to modify this product or create accessories not recommended for use with this product. Any such alteration or modification is misuse and could result in a hazardous condition leading to possible serious personal injury.

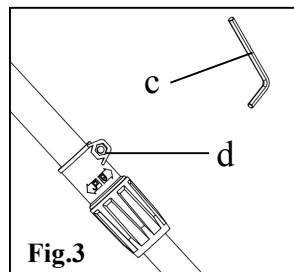
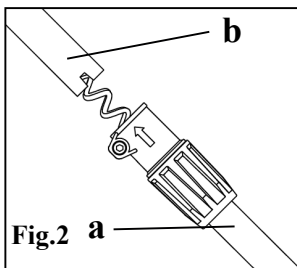


### **WARNING:**

Do not connect to power supply until assembly is complete. Failure to comply could result in accidental starting and possible serious personal injury.

## **CONNECTING THE UPPER SHAFT AND THE TELESCOPIC SHAFT**

- Align the arrow on the lock sleeve with the gap, insert the telescopic shaft (a) into the upper shaft (b) (See fig.2).
- Then use the hex key (c) to tighten the bolt (d) (See fig.2).

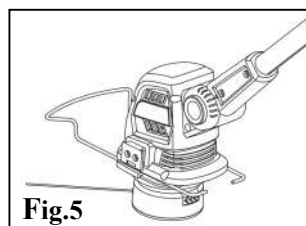
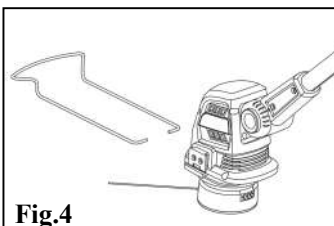


## **INSTALLING THE SAFETY GUARD AND THE EDGER WHEEL**

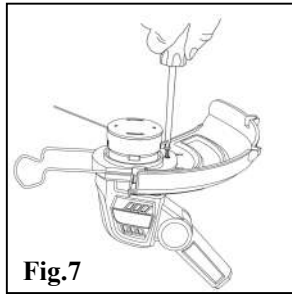
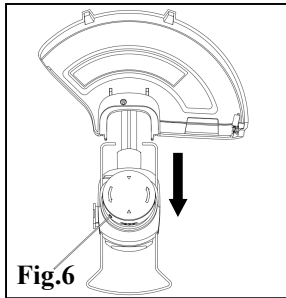


**WARNING: NEVER OPERATE TOOL WITHOUT GUARD FIRMLY IN PLACE.** The guard must always be properly attached on the tool to protect the user.

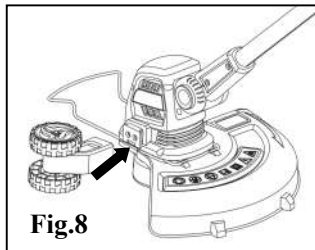
- Insert the guide wire into the black slot on motor housing . Note the direction of the guide wire (See fig.4 and fig.5).



- Locate the guard onto the motor housing and turn it a bit to make sure it engages into the slots on the motor housing. Note to follow the arrow direction on the guard. Then fix the guard onto the motor housing with the screw out of the package (See fig.6 and fig.7).



- When in edging mode, the edger wheel needs to be fit on the trimmer. Insert the edger wheel into the black slot piece on the motor housing (See fig.8). Make sure the edger wheel is firmly connecting with slot. And push the guide wire to make it not protrude.



## CONNECTING AND REMOVING BATTERY

### IMPORTANT!

The battery pack is not charged when it is purchased. Before using the power tool for the first time, place the battery pack in the battery charger and charge. Make sure to read all safety precautions, and follow the instructions in the battery charger section.

### To install the battery pack

To install the battery pack into the bottom of the handle, align the rails of the battery pack with the rails in the handle and push the battery into the handle. To connect the battery, slide the battery pack fully forward. Until the latch locks into place.

### To remove the battery pack

Press the battery release button ,Slide the battery pack backward, and then pull or lift the battery out of the tool .



### WARNING:

Follow these instructions in order to avoid injury and to reduce the risk of electric shock or fire:

- Replace the battery pack or the charger immediately if the battery case or charger cord is damaged.
- Verify that the battery pack is removed before inspecting, adjusting, or performing maintenance on any part of the power tool.
- Read, understand, and follow the instructions.

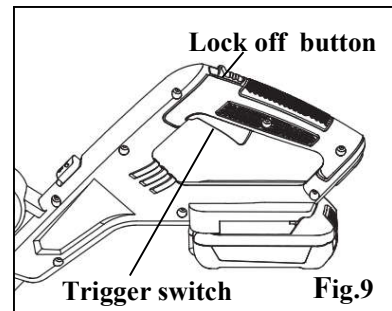
## OPERATING INSTRUCTIONS



**WARNING:** Read and thoroughly understand all instructions and safety information before operating this string trimmer. Failure to do so may cause serious injury or death. Do not allow anyone to operate this string trimmer who has not read this manual. A string trimmer can be dangerous if assembled or used improperly. Do not operate this string trimmer if you have doubts or questions concerning safe operation. Call our customer service department at 1-800-791-9458 to address these concerns.

### STARTING/STOPPING THE STRING TRIMMER

- Install the battery pack. (Refer to Installing the battery pack)
- To start the string trimmer, depress the lock off button and at the same time press the trigger switch. (See fig. 9)
- To switch off, release the trigger switch.



**WARNING:**

The tool runs for approximately 3 seconds after it has been switched off. Let the motor come to a complete standstill before setting the tool down.

### ADJUSTMENT



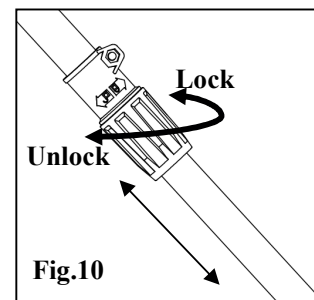
**WARNING:** Remove the battery pack from string trimmer before performing adjustments.

#### Adjusting the cutting height



**WARNING:** Do not try to adjust the telescopic shaft while the trimming line is rotating.

Unscrew the lock sleeve on the shaft and adjust the length of the telescopic shaft to the most comfortable operation position. Turn the lock sleeve anti-clockwise to lock the shaft in position (See fig.10).



#### Adjusting the front handle



**WARNING:** Remove the battery from string trimmer before performing adjustments.

- Press the adjustment button on front handle tightly, push the front handle down until the desired angle is set. Then release the adjustment button.
- There are 8 angles for you to choose the preferred one. The handle should be adjusted so that your front arm is straight when the trimmer is in the working position.



## Adjusting the angle of motor housing

Press the angle adjustment button on motor housing, push back and forth the shaft to adjust the motor housing(7 positions) .

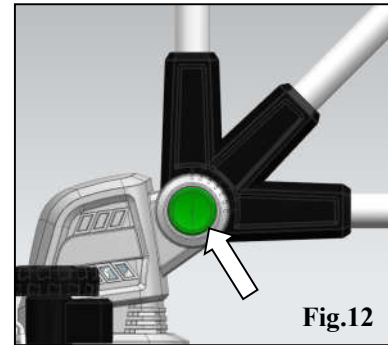


Fig.12

## Convert to edging mode

The wheeled edge guide should only be used when in the edging mode. The trimmer can be used in trimming mode or edging mode to trim overhanging grass along lawn edges and flower beds.

For edging, the trimmer head should be in the position shown in figure 13. If it is not:

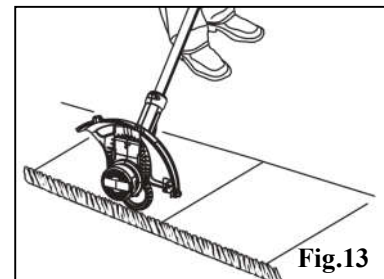


Fig.13

To switch from trimming to edging, press the edger function switch on the tool, and firmly holding the telescopic shaft in one hand and turn the rear handle to right by the other hand (See fig.14).



Fig.14

## OPERATING THE TRIMMER



**WARNING:** Make sure that the work area is free of rocks, debris, lines and other foreign objects.

1. Lower the protector to prevent the motor housing from getting too close to an object such as a tree trunk or wall and causing damage to the trimming spool.
2. Start the trimmer before approaching the grass to be cut.
3. Cut the grass by moving the trimmer from right to left and proceed slowly keep the trimmer inclined forwards at an angle of about 30° light cuts are better than heavy cuts as they allow the cut grass to fall away from the motor housing.
4. High grass should be cut in layers always beginning from the top. Do not cut damp or wet grass. Do not overload your trimmer.
5. Watch out for kickbacks in the event of impact with hard objects.
6. After finishing the cutting operation, keep the head close to ground level, release the switch and allow the motor to come to complete standstill. Place the trimmer on the ground and remove the battery pack from the trimmer.

**Note:** Periodically clean out the grass between the spool and the rim of the guard to prevent the tool from vibrating.



## FITTING AND REPLACING LINE SPOOL ASSEMBLY



**WARNING:** Remove the battery pack from string trimmer before performing adjustments. Only fit line spool recommended by the manufacturer.

The line spool is already fit with the string trimmer when out of package. You need to replace it with new line when it's used up.

- To fit the new line into the spool, press the two clips(e) on the spool cover and pull it out of the spool. Pull out the old line coil and replace it with new one.
- Put the line through the hole(f) on the spool over. Push the line coil back to the spindle of the spool. Make sure it completely sits on the spindle. The line will automatically come out when you restart the string trimmer.
- Press the two clips on the spool cover and put it back into the spool. Make sure the two clips fit the two recess places. The spool cover needs to be tightly fit on the spool.

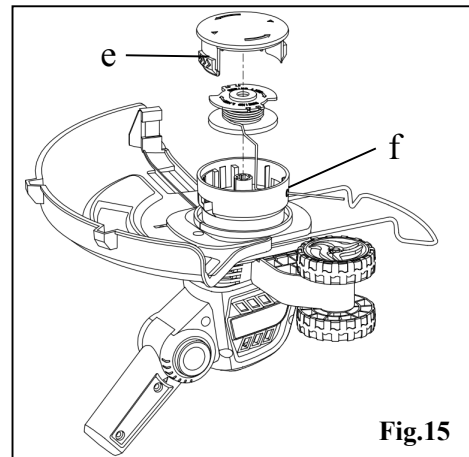


Fig.15

## MAINTENANCE



**WARNING:**In order to avoid personal injury and the risk of fire and electric shock, remove the battery pack before adjusting, inspecting, or cleaning the string trimmer.



**WARNING:**When servicing, use only identical replacement parts. Use of any other parts could create a hazard or cause product damage.

## CLEANING THE SPOOL HEAD

Remove the battery pack.

- Stop the motor and remove the battery pack.
- Clean dirt and debris from the spool head using a damp cloth with a mild detergent.

**NOTE:** Wipe off the housing and the plastic components using a moist, soft cloth. Do not use strong solvents or detergents on the plastic housing or plastic components. Certain household cleaners may cause damage, and may cause a shock hazard.

## GENERAL INSPECTION

Regularly check that all the fixing screws are tight. They may vibrate loose over time.

## STORAGE

- Store the trimmer away from direct sunlight.
- Do not store in a nylon bag as this can encourage the formation of mold.
- Store it in a well-ventilated place that is inaccessible to children.
- Keep away from corrosive agents such as garden chemicals and deicing salts.
- At the end of the season, give the trimmer an overall cleaning and a thorough check.

## BATTERY PACK

- Store the battery pack fully charged.
- Once the charging light turns green, remove the battery from the charger and disconnect the charger from the outlet.
- Do not store the battery pack on the tool.
- After charging, the battery pack may be stored in the charger, as long as the charger is not plugged in.

## CHARGER MAINTENANCE

- Keep the charger clean and clear of debris. Do not allow foreign material to get into the recessed cavity or onto the contacts. Wipe the charger clean with a dry cloth. Do not use solvents or water, and do not place the charger in wet conditions.
- Unplug the charger when there is no battery pack in it.
- Fully charge the batteries before placing them in storage.
- Store the charger at normal room temperature. Do not store it in excessive heat. Do not use the charger in direct sunlight. Recharge at room temperature between 45°F and 104°F. If the battery pack is hot, allow it to cool down before recharging.

## ENVIRONMENTALLY SAFE BATTERY DISPOSAL

The batteries used in this string trimmer's battery pack contain the following toxic and corrosive material: LITHIUM-ION.



### **WARNING:**

Toxic materials must be disposed of in a specified manner in order to prevent contamination of the environment. Before disposing of damaged or worn out Lithium-Ion battery packs, contact your local waste disposal agency for information and specific instructions. Take the batteries to a local recycling and/or disposal center that is certified for disposal.

If the battery pack cracks or breaks, whether it leaks or not, do not recharge it and do not use it. Dispose of it and replace it with a new battery pack. **DO NOT ATTEMPT TO REPAIR IT!**

Follow these instructions in order to avoid injury and the risk of fire, explosion, or electric shock, and to avoid damage to the environment:

- Cover the battery's terminals with heavy-duty adhesive tape.
- Do not attempt to remove or destroy any of the components of the battery pack.
- Do not attempt to open the battery pack.
- If a leak develops, the electrolytes that are released are corrosive and toxic. Do not get the solution in the eyes or on the skin, and do not swallow it.
- Do not place batteries in regular household trash.
- DO NOT incinerate batteries.
- DO NOT place batteries where they will become part of any waste landfill or municipal solid waste stream.
- Dispose of batteries at a certified recycling or disposal center.

## **TROUBLE SHOOTING**

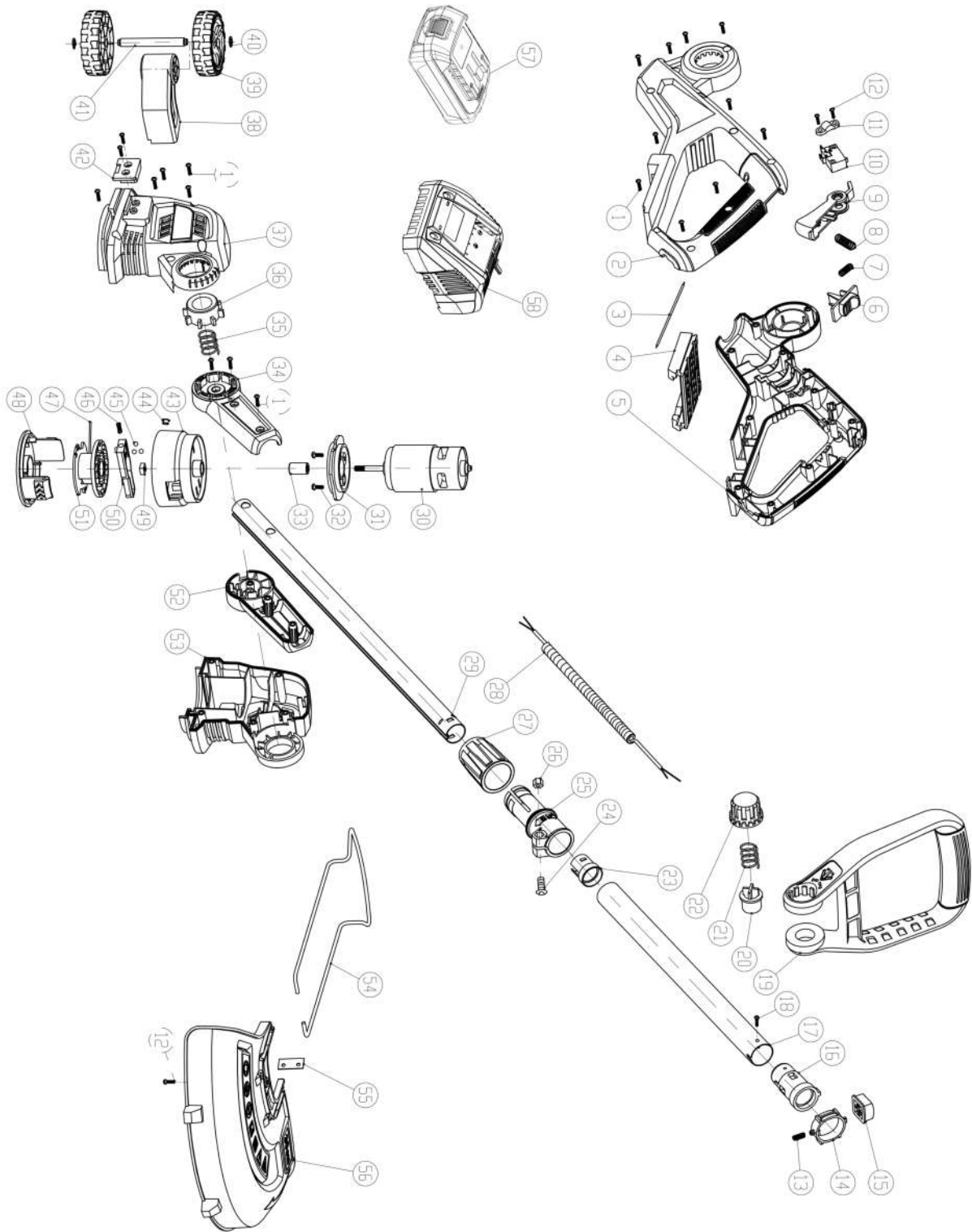


**WARNING:** Read instruction manual first! Remove the battery before making adjustments or assembling accessories.

The following form lists the common operating system with problem and solutions. Please read the form carefully and follow it.

PROBLEMS	POSSIBLE CAUSES	SOLUTION
Motor fails to start when switch trigger is depressed.	Check battery charger Check power button	Recharge Push button.
Line will not feed	Check spool Replace spool	1. Check line is not tangled or jammed in the spool. 2. Remove the line and replace the spool of the line and ensure the mechanism is clean.
Poor cutting performance	Check the cutting line	1. Check the cutting line is fully extended.  If not: 2. Manually extend the line or stop and start the trimmer until the line has been extended to the line cutter. 3. Make smaller cuts, this is a light duty trimmer. 4. Ensure line is fully extended.

# EXPLODED VIEW & PARTS LIST



Item	Stock#	Description	Qty.
1	PS76112A-001	Screw ST4*16	20
2	PS76112A-002	Left rear handle	1
3	PS76112A-003	Lead wire	1
4	PS76112A-004	Insert base	1
5	PS76112A-005	Right rear handle	1
6	PS76112A-006	Anti self locking button	1
7	PS76112A-007	Spring	1
8	PS76112A-008	Spring	1
9	PS76112A-009	Trigger switch	1
10	PS76112A-010	Micro switch	1
11	PS76112A-011	Wire fixed board	1
12	PS76112A-012	Screw ST4*14	3
13	PS76112A-013	Spring	1
14	PS76112A-014	Rotary fixing sleeve	1
15	PS76112A-015	Revolve button	1
16	PS76112A-016	Rotary locating sleeve	1
17	PS76112A-017	Big pipe	1
18	PS76112A-018	Screw M4*6	1
19	PS76112A-019	Front handle	1
20	PS76112A-020	Front Handle button	1
21	PS76112A-021	Spring	1
22	PS76112A-022	Front handle button	1
23	PS76112A-023	Pipe sheath	1
24	PS76112A-024	Screw M5*14	1
25	PS76112A-025	Adapter sleeve	1
26	PS76112A-026	Lock nut M5	1
27	PS76112A-027	Lock sleeve	1
28	PS76112A-028	Spring wire	1
29	PS76112A-029	Small pipe	1

Item	Stock#	Description	Qty.
30	PS76112A-030	DC motor	1
31	PS76112A-031	Motor fixed plate	1
32	PS76112A-032	Screw M4*10	2
33	PS76112A-033	Motor bushing	1
34	PS76112A-034	Left rotating cover	1
35	PS76112A-035	Big spring	1
36	PS76112A-036	Revolve button	1
37	PS76112A-037	Left housing	1
38	PS76112A-038	Wheel axle holder	1
39	PS76112A-039	Wheel	2
40	PS76112A-040	Circlip $\Phi 6$	2
41	PS76112A-041	Wheel axle	1
42	PS76112A-042	Wheel axle fixed board	1
43	PS76112A-043	Spool head	1
44	PS76112A-044	Hollow rivet	1
45	PS76112A-045	Steel ball $\phi 4$	3
46	PS76112A-046	Balance block spring	1
47	PS76112A-047	Nylon wire	1
48	PS76112A-048	Spool cover	1
49	PS76112A-049	Square-head nut M5	1
50	PS76112A-050	Balance block	1
51	PS76112A-051	Wire wheel	1
52	PS76112A-052	Right rotating cover	1
53	PS76112A-053	Right housing	1
54	PS76112A-054	Guide wire	1
55	PS76112A-055	Blade	1
56	PS76112A-056	Safety guard	1
57	PS76020B	Battery pack	1
58	PS76018C	Charger	1

## **TWO (2) YEARS LIMITED WARRANTY**

PowerSmart® is committed to building tools that are dependable for years. Our warranties are consistent with our commitment and dedication to quality.

### **TWO (2) YEARS LIMITED WARRANTY OF POWER SMART PRODUCTS FOR HOME USE.**

PowerSmart ("Seller") warrants to the original purchaser only, that all PowerSmart consumer power tools will be free from defects in material or workmanship for a period of two (2) years from date of purchase. Ninety (90) days for all Power Smart Products, if the tool is used for professional or commercial use.

SELLER'S SOLE OBLIGATION AND YOUR EXCLUSIVE REMEDY under this Two (2) Years Limited Warranty and, to the extent permitted by law, any warranty or condition implied by law, shall be the repair or replacement of parts, without charge, which are defective in material or workmanship and which have not been misused, carelessly handled, or misrepaired by persons other than Seller or Authorized Service Center. To make a claim under this Limited Warranty, you must return the entire power tool product; transportation prepaid, to Power Smart Include a legible copy of the original receipt, which lists the date of purchase (month and year) and the name of the company purchased from.

THIS LIMITED WARRANTY DOES NOT APPLY TO ANY ACCESSORY ITEMS INCLUDED WITH THE TOOL SUCH AS CIRCULAR SAW BLADES OTHER RELATED ITEMS OR TO ANY REPLACEMENT PARTS LISTED UNDER MAINTENANCE.

ANY IMPLIED WARRANTIES SHALL BE LIMITED IN DURATION TO TWO (2) YEARS FROM DATE OF PURCHASE. SOME STATES IN THE U.S. AND SOME CANADIAN PROVINCES DO NOT ALLOW LIMITATIONS ON HOW LONG AN IMPLIED WARRANTY LASTS, SO THE ABOVE LIMITATION MAY NOT APPLY TO YOU.

IN NO EVENT SHALL SELLER BE LIABLE FOR ANY INCIDENTAL OR CONSEQUENTIAL DAMAGES (INCLUDING BUT NOT LIMITED TO LIABILITY FOR LOSS OF PROFITS) ARISING FROM THE SALE OR USE OF THIS PRODUCT. SOME STATES IN THE U.S. AND SOME CANADIAN PROVINCES DO NOT ALLOW THE EXCLUSION OR LIMITATION OF INCIDENTAL OR CONSEQUENTIAL DAMAGES, SO THE ABOVE LIMITATION OR EXCLUSION MAY NOT APPLY TO YOU.

THIS LIMITED WARRANTY GIVES YOU SPECIFIC LEGAL RIGHTS, AND YOU MAY ALSO HAVE OTHER RIGHTS WHICH VARY FROM STATE TO STATE IN THE U.S., PROVINCE TO PROVINCE IN CANADA AND FROM COUNTRY TO COUNTRY.

For questions / comments, technical assistance or repair parts –  
Please call toll free at: 1-800-791-9458 (M-F 9am – 5pm EST)  
Email: [support@amerisuninc.com](mailto:support@amerisuninc.com)

**SAVE YOUR RECEIPTS. THIS WARRANTY IS VOID WITHOUT THEM.**