

# POWERSMART<sup>®</sup>

## INSTRUCTION MANUAL

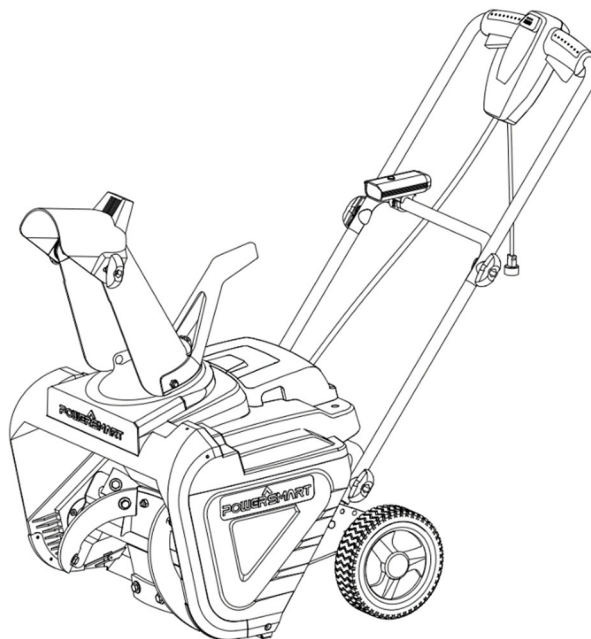
**EN 21" ELECTRIC SNOW THROWER**

**FR 21" CHASSE-NEIGE ÉLECTRIQUE**

**ES LANZDE NIEVE ELECTRICA DE 21"**

Model#DB7521A

Item#DB5021



Have product questions or need technical support? Please feel free to contact us!

Website: [www.powersmartusa.com](http://www.powersmartusa.com)

Toll free: 1-872-314-0005 (Mon-Fri 9-5 EST)

Email: [support@amerisuninc.com](mailto:support@amerisuninc.com)  
[support@powersmartusa.com](mailto:support@powersmartusa.com)



Website



## **TABLE OF CONTENTS**

Technical data .....	2
Introduction.....	3
Safety information .....	3
Knowing your snow thrower .....	7
Operating your snow thrower .....	8
Maintenance.....	11
Troubleshooting .....	12
Exploded view and parts list .....	13
Two (2) years limited warranty.....	17

EN

## **TECHNICAL DATA**

Voltage:120v,60Hz
Input Power:15Amp
Rotation speed:2,100 RPM
Clearing width and depth: Approx. 53 cm x 31 cm (21 in. x 12.5 in.)
Max. throwing distance: 10 m (30 ft.)
Net Wight:18 kg (40lbs)

# **INTRODUCTION**

Thank You for Purchasing a PowerSmart® Product. This manual provides information regarding the safe operation and maintenance of this product. Every effort has been made to ensure the accuracy of the information in this manual. PowerSmart® reserves the right to change this product and specifications at any time without prior notice.

Please keep this manual available to all users during the entire life of the snow blower.



This manual contains special messages to bring attention to potential safety concerns, snow blower damage as well as helpful operating and servicing information. Please read all the information carefully to avoid injury and machine damage.

## **QUESTIONS? PROBLEMS?**

In order to answer questions and solve problems in the most efficient and speedy manner, contact Customer Service at (872) 314-0005 , Mon-Fri 9am-5pm EST or email: [support@amerisuninc.com](mailto:support@amerisuninc.com).

# **SAFETY INFORMATION**

Please read and understand this entire manual before attempting to assemble, operate or install the product.

## **Work Area**

- Keep work area clean and well-lit. Cluttered, dark areas invite accidents.
- Do not operate snow thrower in an explosive atmosphere, such as in the presence of flammable liquids, gases, or dust. Electrical appliances create sparks that may ignite the dust or fumes.
- Keep children, pets, and bystanders away from work area. Be aware that the normal noise of the machine when turned on may make it difficult for you to hear approaching people.

## **Electrical Safety**

- Electrical plugs must match the outlet. Never modify the plug in any way. Do not use any adaptor plugs with grounded appliances. Unmodified plugs and matching outlets will reduce risk of electric shock.
- Avoid body contact with earthed or grounded surfaces such as pipes, radiators, ranges, and refrigerators. There is an increased risk of electric shock if your body is earthed or grounded.
- Do not abuse the cord. Keep cord away from heat, oil, sharp edges or moving parts. Do not yank the cord to disconnect it from the electrical outlet.
- Replace or properly repair damaged cords. If cord is damaged in any manner while plugged in, pull the extension cord from the wall receptacle.
- Contact with water while operating the snow thrower can result in electric shock and serious bodily injury. Do not use the snow thrower in damp or wet locations or expose to rain. Do not handle the plug or the appliance with wet hands or while standing in water.
- Extension Cord-WARNING –Only use a UL-rated extension cord for OUTDOOR, all-weather use (usually orange color).The extension cord MUST be of the proper gauge size depending on it's length(see page 8).To prevent the extension cord from disconnecting during operation.tie it around top right side of the middle frame before connecting it to the snow thrower as shown on page 8.
- Turn off the power switch and disconnect the power cable before inspecting, servicing, repairing, or cleaning the snow thrower stop completely.
- Do not move or transport the snow thrower when the plug is connected to the power socket and the switch in turned on.

## **Personal Safety**

- Stay alert-watch what you are doing and use common sense when operating the snow thrower.
- Do not use the machine when tired, ill, or under the influence of drugs, alcohol, or medication. A moment of inattention may result in serious personal injury.
- Wear proper clothing-Wearing rubber boots offers additional protection from electric shock. Do not wear loose clothing or jewelry that may become caught in the machine. Wear protective headgear to keep hair away from revolving parts of the machine. Safety glasses offer better protection than everyday

eyeglasses.

- Moving parts present risks –Keep your face, hair, clothing, hands, and feet away from moving parts. All guards and safety attachments must be installed properly before using the unit. Shut off and disconnect cord before touching any parts other than handles and switch.
- Surfaces-This snow thrower is intended for use on paved surfaces. Do not use on gravel, stone, or other unpaved surfaces unless the snow thrower is adjusted for such surfaces according to the instructions given in the operators manual.
- Avoid accidental starting –Make sure the switch is in the off position before plugging in the unit. Do not carry the snow thrower with your finger on the switch.
- Body position-Maintain proper footing and balance at all times. Place heels firmly on the ground and tightly grasp the handle bar. Watch for uneven surfaces and do not over reach. In case you fall or collide with the snow thrower, inspect the unit for damage. When stepping backwards, be careful to avoid obstacles beneath your feet or behind you to avoid falling.

### **Snow Thrower Use and Care**

- Know your snow blower-Familiarize yourself with the main parts of your snow thrower. Read the operators manual carefully. Learn your snow throwers applications and limitations as well as specific potential hazards related to this machine. Do not use this machine for any purpose other than one for which it was designed. Otherwise, it may cause mechanical defaults, serious damage or personal injury.
- Preliminary unit inspection –Thoroughly inspect the unit before use. Make sure all the parts are secure and installed correctly. If you notice any abnormalities, do not use the machine until it has been properly repaired. Always perform a test run the first time you use the snow thrower or after replacing parts to ensure that unit is functioning properly.
- Preliminary area inspection-Clear the area to be plowed before each use. Remove all objects such as rocks, broken glass, nails, wire, or string which can be thrown by or become entangled in the snow thrower. Keep the area of operation clear of other people and pets.
- Excessive force –The snow thrower was designed to respond at a certain rate for various snow conditions for optimum safety and performance. Do not force it; keep pressure constant.
- Malfunctioning switch-Do not use the snow blower if the switch does not turn it on and off. Any electrical appliance that can not be controlled by the switch is not safe to use and must be repaired.
- Hitting an object-If the snow thrower accidentally strikes an object, stop the snow thrower. Inspect for damage; repair or replace any damaged part before restarting and operating the snow thrower.
- Discharge chute safety -Never direct the snow discharge chute at the operator, at bystanders, at vehicles or at windows. Thrown snow and foreign objects accidentally picked up by the snow thrower can cause serious damage and personal injury. Do not use your hands to unclog the discharge chute. Stop the motor before removing debris.
- Abnormal operation-If you notice the snow thrower running in an unstable state or hear abnormal sounds from machine, stop the machine, disconnect the power immediately, and contact your original distributor.
- Noise control-When using the snow thrower, you must respect local laws and regulations regarding noise control and environmental protection. To avoid noise disturbance, you should carefully decide upon an appropriate operation time and consider the surrounding conditions.
- When work is completed -Disconnected the snow thrower from the power source when not in use, when changing accessories, and before performing any maintenance.
- Store safety-Store snow thrower indoors in a dry area between uses. Keep in a locked area where children and unauthorized users can not gain access. Do not store the machine while it is still connected to the power source. It may cause damage and injury.
- Maintain for safety and longevity-Check for misalignment or binding of moving parts, breakage of parts, and any other conditions that may affect the units operation. If damaged, repair or replace the damaged part before use. Use only those replacement parts made for your model. When replacing any parts, you must strictly observe the instructions and procedures described in this manual. Special care should be paid to any rubber parts, since these parts may increase the engine load and decrease its mechanical power if damaged.

# PRODUCT LABELS

WARNING-Read, understand and follow all safety labels and markings on the unit.

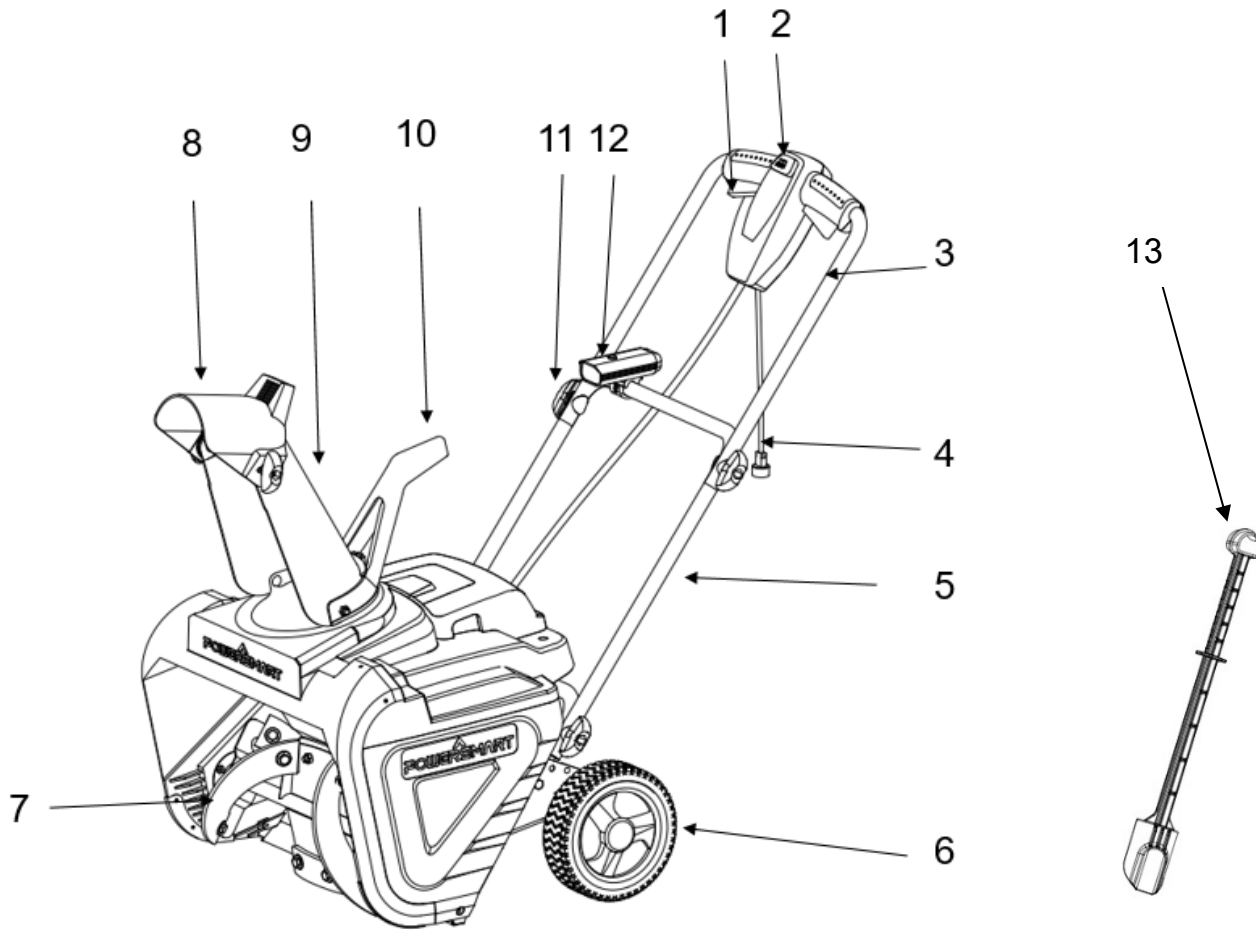


## CAUTION

Inspect wiring, which, if damaged during shipping, may cause serious bodily injury during equipment use. If any damage is seen or suspected, do not assemble. instead, contact our customer service department at 1-872-314-0005.

Handle with care during assembly so that electrical wiring does not become damaged.

# KNOWING YOUR SNOW THROWER



- |   |                |    |                 |
|---|----------------|----|-----------------|
| 1 | Auger Control  | 7  | Auger           |
| 2 | Switch button  | 8  | Chute Deflector |
| 3 | Upper Tube     | 9  | Chute           |
| 4 | Polarized Plug | 10 | Chute Crank     |
| 5 | Lower Tube     | 11 | Knob            |
| 6 | Wheel          | 12 | Light           |
|   |                | 13 | Clean Out Tool  |

# OPERATING YOUR SNOW THROWER

Note: Before using this machine, make sure that the power source you will use complies with the specification's detailed in this manual. Before inserting the plug into the socket, verify that the snow throwers auger and scraper are firmly attached with screws. Perform a test run to ensure that the rotor turns freely.

## SECURING THE EXTENSION CORD

1. For safe and efficient use of your snow thrower, use only a UL-rated extension cord recommended for outdoor use. Refer to the Extension Cord Chart below.

### **WARNING**

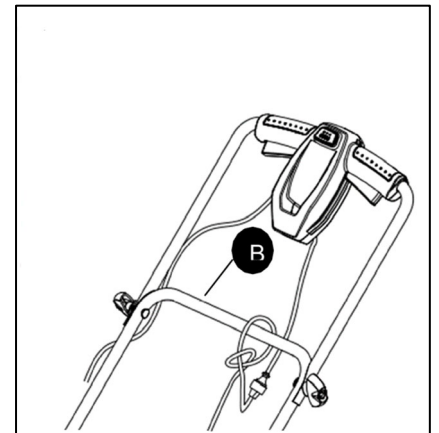
Electric shock may cause SEVERE INJURY or DEATH. Heed these warnings:

- Do not allow any part of snow thrower to make contact with water while powered on. If the appliance becomes wet while turned off, wipe dry before starting.
- Use only a UL-rated extension cord for outdoor, all-weather use. Do not use an extension cord more than 150 feet long.
- Don't touch the appliance or its plug with wet hands or while standing in water. Wearing rubber boots offers some protection.

## EXTENTION CORD CHART

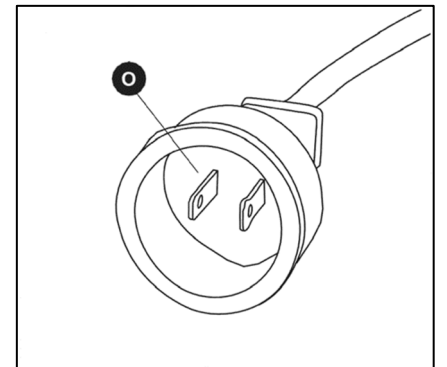
Cord Length	Up to 100 ft.	100-150ft.
Wire Gauge	14	12

2. To prevent the extension cord from disconnecting during use, tie the female end of the extension cord in to a loose knot on the top right side of the middle frame (B) before connecting to the male plug in the socket of the snow thrower.



Note: The protective cover around the polarized plug is compatible with most extension cords. When choosing an extension cord be sure the female end of your cord will fit into the polarized plug.

3. Note that the snow thrower has a polarized male plug (O), with one prong in the socket slightly longer and wider than the other. The extension cord female end should be likewise polarized, so that the extension cord fits snugly into the socket.



### **WARNING**

Damaged electrical cords present risk of fire, electric shock, and serious bodily injury.

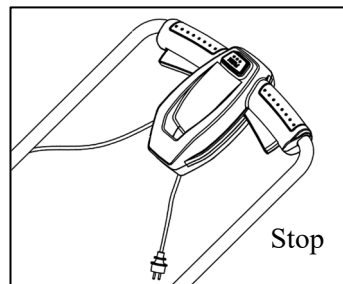
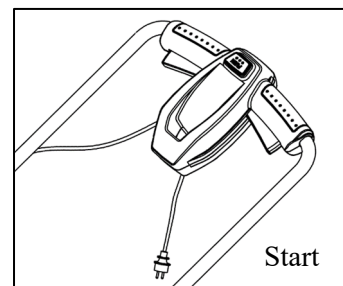
Before operating the snow thrower, carefully examine the electrical cord. If the cord is damaged, do not use the snow thrower. Replace or repair the damaged cord immediately. If you



need assistance, contact our customer service department at 1-872-314-0005.

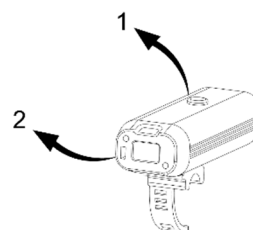
## POWERING ON AND OFF

1. Connect extension cord to the male plug on the snow thrower then connect extension cord to proper AC power source.
2. Press and Hold the switch button.
3. To start, while holding the switch button in, pull the handlebar toward you until it touches the handle. The switch button must be pressed in and held before pulling the
4. **USING LIGHT** handle. Once the snow thrower starts, release the switch button.
5. To stop, release switch button.



## USING LIGHT

1. Press button 1 to control the light. Press 1 time for high light, 2 times for low light, and 3 times for flash. Press 4 times to turn off the light.
2. 2 is the charging port, The light switch displays red when charging and green when fully charged.



## MOVING THE MACHINE AND PLOWING THE SNOW

**WARNING** Foreign objects, such as rocks, broken glass, nails, wire, or string, can be picked up and thrown by the snow thrower, causing serious personal injury.

Remove all foreign objects from the area to be plowed before operating the snow thrower.

- Keep the area of operation free of foreign objects that can be become thrown by the rotor blades.
- Perform a thorough inspection of the area since some objects may be hidden from view by surrounding snow, If the snow thrower hits an obstruction or picks up a foreign object during use, stop the snow thrower, disconnect the extension cord, remove the obstruction, and inspect the unit for damage. Repair or replace any damaged parts before restarting and operating the unit.
- Keep children, pets, and bystanders away from the area of operation. Be aware that the normal noise of the machine when turned on may make it difficult for you to hear approaching people.
- When moving the snow thrower, use the wheels on the sides as the pivot point. Slightly tilt the snow thrower on this pivot point to move it forward or backward.
- Start your clearing path near the electrical outlet and work outward, throwing snow in a back and forth motion, To clear in the opposite direction, stop over the cord and pivot the snow thrower on its wheels. Make sure to overlap clearing paths.
- Note wind direction. If possible, move in the same direction as the wind so that the snow is not thrown against the wind (and thus back into your face and back onto the patch).
- While moving the snow thrower, do not drag the power cable violently or roughly. The snow thrower should move within the range that the cable can reach.
- Do not push the snow thrower with excessive force. You should push machine gently and evenly in accordance with the units throw rate.
- Some parts of the snow thrower may freeze under extreme temperature conditions. Do not attempt to operate the snow thrower with frozen parts. If the parts freeze while the snow thrower is in use, stop the snow thrower, unplug the extension cord, and inspect for frozen parts. Free all parts before operating the snow thrower. Never force controls that have frozen.
- Working on pebbles, gravel, or unpaved surfaces-To avoid throwing loose surface material along with

the snow, push down on the raise the scrapper at the base of the unit above the pebbles or gravel.

## CHANGING THROW DIRECTION AND THROW HEIGHT

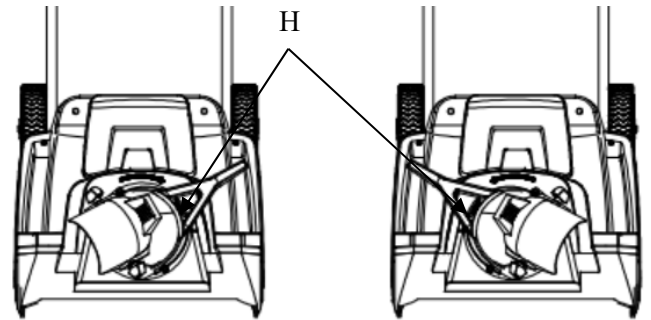


### WARNING

Never direct the snow discharge chute at the operator, at bystanders, at vehicles or at nearby windows. Discharge snow and foreign objects accidentally picked up by the snow thrower can cause serious damage and personal injury.

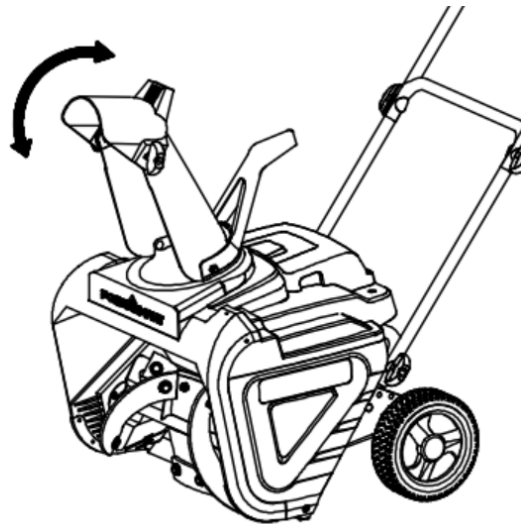
Always orient the discharge chute in the opposite direction from where you, bystanders, surrounding vehicles, or windows are located.

1. The discharge chute (H) can be adjusted 180 degrees by rotating the chute crank. Rotate the chute control crank clockwise to move the discharge chute (H) to the left, counterclockwise to move the chute to the right.



2. The chute deflector on the top of the discharge chute (H) controls the height of the snow stream. Loosen both chute deflector knobs to raise or lower the deflector to the desired height you wish to throw the snow. Tighten the knobs to secure the deflector.

Note: Do not over tighten the chute deflector knobs.

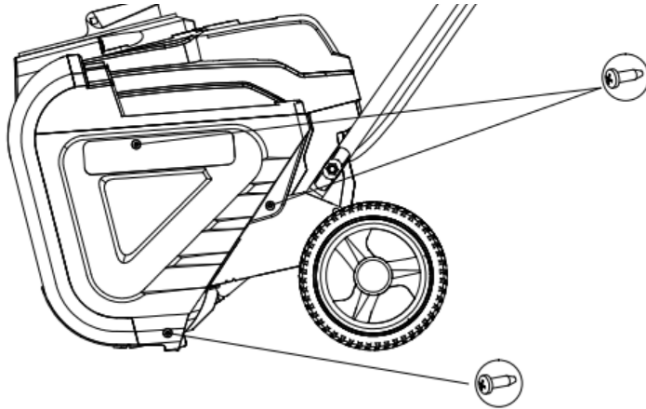


## DRIVE BELT REPLACEMENT

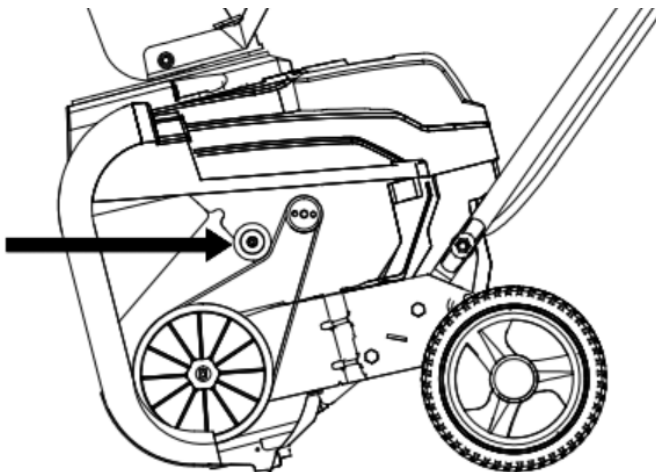
**WARNING** Entanglement Hazard - Before performing any service procedures, make sure the snow thrower is disconnected from the power source.

Note: Record component position before disassembly, to assist in reassembly.

1. Using screw driver, remove 3 screws attaching belt cover to housing.



2. Manually push the belt tension pulley up to reduce belt tension.



Note: When replacing the belt it is important to determine the cause of the failure (if applicable) and take corrective action to avoid repeated failure.

3. Inspect the old belt, pulleys and tension spring before installing a new belt for damage and wear, replace parts as required
4. Inspect the new belt to ensure it is the correct size and type.  
Original – Part Number: 3PK695
5. Manually push the belt tension pulley up to allow installation of the new belt.
6. Position the belt onto the small drive pulley, then while holding the belt tension pulley away from the belt, carefully wind the belt onto the large pulley. Do not damage the new belt during installation.
7. Using screwdriver, install 3 screws attaching belt cover to housing.

# MAINTENANCE

## WARNING

Make sure to turn off the switch and disconnect the extension cord before performing any maintenance task on your snow thrower.

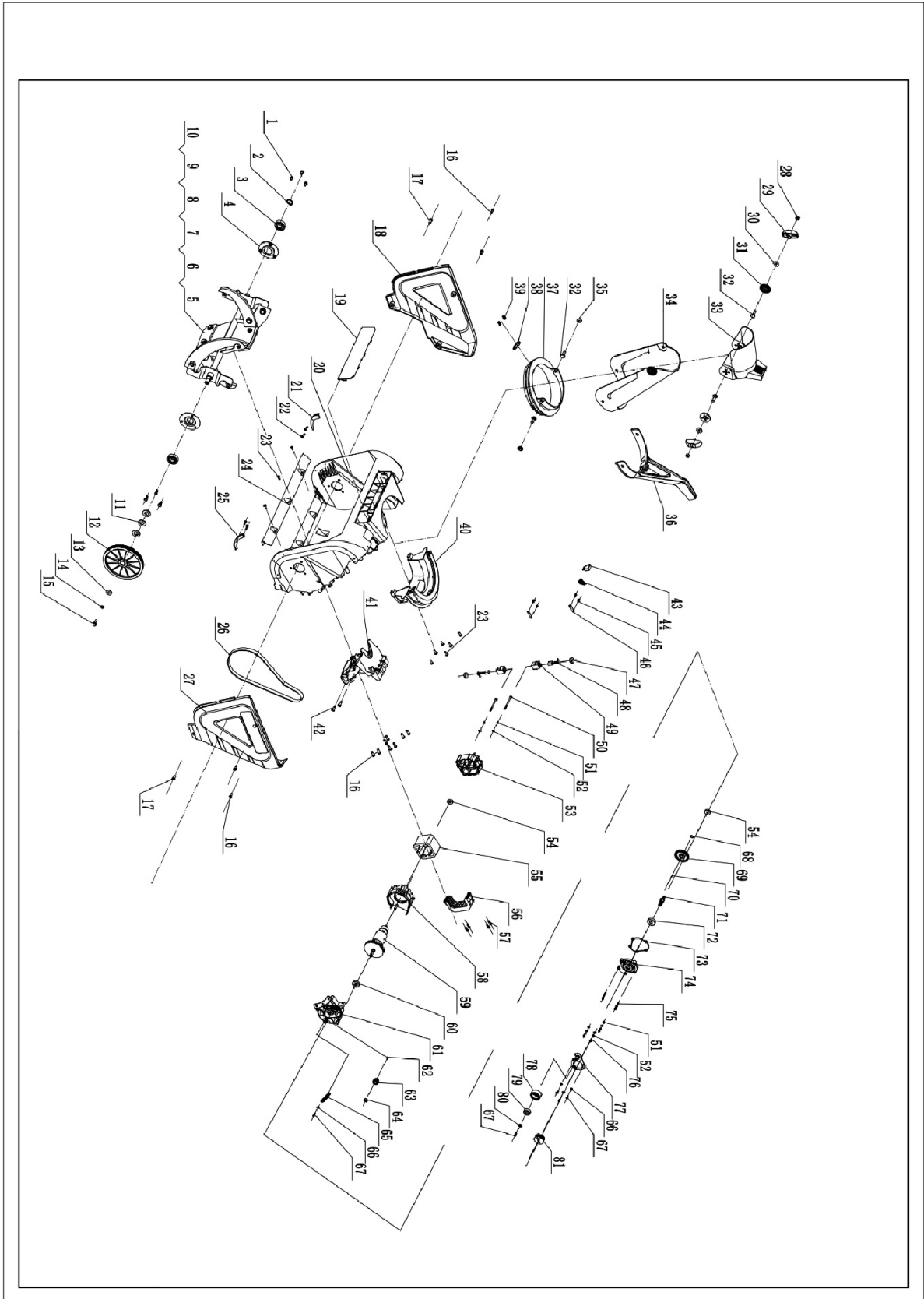
- Run the snow thrower for a few minutes to melt away any snow on the snow thrower. Turn the snow thrower's power off.
- Disconnect the extension cord from the snow thrower.
- Examine the extension cord thoroughly for signs of wear or damage. Replace it if it is worn or damaged.
- Examine the snow thrower thoroughly for worn, loose bolts or damaged parts. For repairing or replacing parts, contact customer service.
- Store the extension cord with the snow thrower.
- Store the unit in a locked and dry or high and dry place to prevent unauthorized use/damage and keep out of the reach of children. Store the instruction manual along with unit for future use.

# TROUBLESHOOTING

Problem	Possible Causes	Remedy
<b>WARNING</b> - Before attempting to make any inspections, repairs or adjustments, stop the snow thrower, wait for all moving parts to stop moving and carefully disconnect the AC extension cord from the power source.		
No start condition, won't not turn on	1 No power from AC power source	1 Connect to known good AC power source
	2 Extension cord not connected	2 Securely connect extension cord at power source and snow thrower
	3 Extension cord faulty	3 Connect a known good extension cord
	4 Improper starting procedure	4 Review "Powering ON and OFF" procedure in this manual
	5 Auger damaged or blocked	5 Check auger for damage, blockage or frozen condition, repair as required
	6 Faulty switch, wiring or motor	6 Call customer service or contact service center
Turns on, but won't blow snow	1 Auger damaged or blocked	1 Check auger for damage, blockage or frozen condition, repair as required
	2 Chute blocked or damaged	2 Check chute for damage or blockage, repair as required
	3 Drive belt damaged or loose	3 Check drive belt condition, repair as required (drive belt is located on left side behind cover)
Turns on, but won't run at full speed	1 Extension cord faulty	1 Connect a known good extension cord
	2 Improper extension cord	2 Check extension cord length and gauge for use in proper application, Review "Extension Cord Chart" in this manual
	3 Auger damaged or blocked	3 Check auger for damage, blockage or frozen condition, repair as required
	4 Drive belt damaged or loose	4 Check drive belt condition, repair as required (drive belt is located on left side behind cover)
	5 Faulty wiring or motor	5 Call customer service or contact service center

# EXPLODED VIEW AND PART LIST

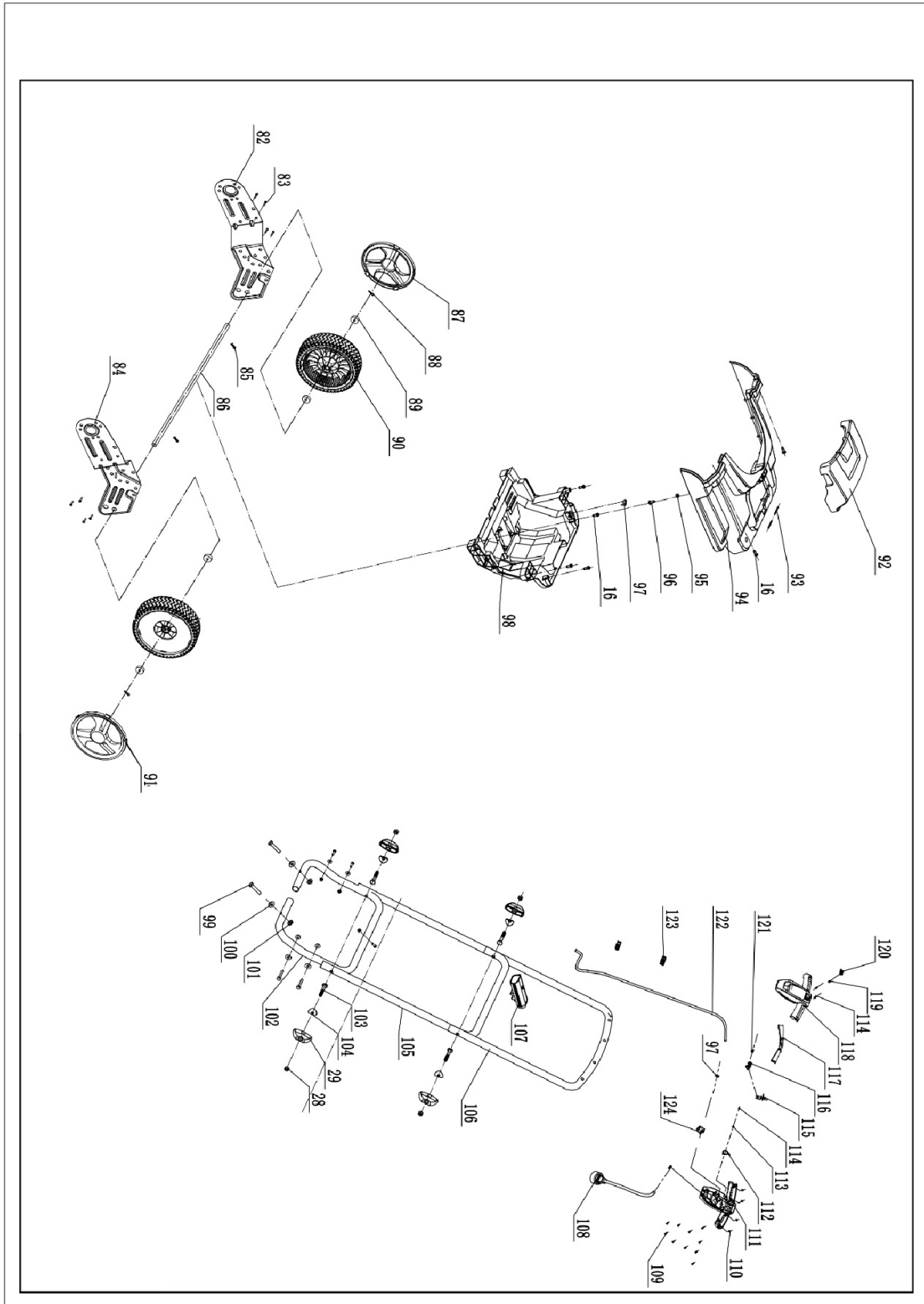
## AUGER HOUSING ASSEMBLY



ITEM	SKU#	DESCRIPTION	QTY
1	303020561	hex bolt M6*16	6
2	303050066	shaft ring Φ17	1
3	303100034	6203Z ball bearing	2
4	303070797	bearing platen welded	2
5	303020106	hex bolt M8*20	12
6	303042013	flat washer	12
7	303030036	lock nut M8	12
8	302110091	short scraper	2
9	302110092	long scraper	4
10	303181282	auger shaft welded	1
11	303042018	flat washer Φ18*Φ24*2	3
12	203010646	belt pulley	1
13	303042009	flat wahser	1
14	303041009	spring washer φ6	1
15	303020282	hex bolt	1
16	303010176	screw ST6.3×16	2
17	303010383	screw ST4.8*10	1
18	203050655	right side cover	1
19	203010747	LOGO plate	1
20	203050170A	base	1
21	303070739	right corner	1
22	303010284	screw ST4.8×12	4
23	303010108	screw ST4.8*16	3
24	303070741A	Shovel	1
25	303070738	left corner	1
26	302040090	belt 3PK695	1
27	203050654	left side cover	1
17	303010383	screw ST4.8*10	1
16	303010176	screw ST6.3×16	2
28	303030066	normal nut	2
29	203020336A	knob	2
30	303042023	flat wahser	2
31	203020380	tooth pad M8*25	2
32	303020161	bolt	4
33	203050174	upper chute	1
34	203050175	middle chute	1
35	303030077	lock nut M8	2
36	203010648	chute handle	1
37	203050172	rotating disc	1
38	203010647	located block	1
39	303130138	chute pressure spring	2
40	203050171	base part	1
41	203050567	motor bracket	1
42	303010358	screw ST4.2×14	2
16	303010176	screw ST6.3×16	8
23	303010108	screw ST4.8*16	6

ITEM	SKU#	DESCRIPTION	QTY
43	301080009	overcurrent protector	1
44	306010037	screw crimping cap	1
45	303010203	screw 3*10	4
46	303070074	brush holder	2
47	301110043	brush cover	2
48	301110058	electrical carbon	2
49	301110044	brush component	2
50	303010162	screw ST4×70	2
51	303041008	spring washer	2
52	303042038	flat wahser	2
53	203020050	rear motor support	1
54	303100023	608Z ball bearing	1
55	301030008	stator	1
56	203050587	motor holder	1
57	303010185	screw ST6.3*30	4
58	203020063	front motor bracket	1
59	301030005A	rotor	1
60	303100030	6001Z ball bearing	1
61	303090005	middle cover	1
62	303110021	woodruff key	1
63	203060019	small gear	1
64	303030047	nut M8-	1
65	303130019	tensioner spring	1
66	303042019	flat wahser	1
67	303020077	bolt M4*10	1
54	303100023	608Z ball bearing	1
68	303050029	shaft ring	1
69	303160004	big gear	1
70	303110020	woodruff key	1
71	303160111	output shaft	1
72	303100024	6201Z ball bearing	1
73	303070029	oil pad	1
74	303090002	end cover	1
75	303010221	screw ST4×40	2
51	303041008	spring washer	3
52	303042038	flat wahser	3
76	303020079	bolt M4*14	3
77	303180588	tensioning wheel bracket welding	1
66	303042019	flat wahser	3
67	303020077	bolt M4*10	3
78	203020077	tension wheel	1
79	303100016	6000RS ball bearing	1
80	303042035	flat washer	1
67	303020077	bolt M4*10	1
81	303160957	small pulley	1

# PANEL ASSEMBLY



ITEM	SKU#	DESCRIPTION	QTY
82	303071480	right support plate	1
83	303010353	screw ST6.3x16	8
84	303071479	left support plate	1
85	303160845	butterfly pin	2
86	303181283A	shaft	1
87	203021421	right wheel cover	1
88	303121002	cotter pin	2
89	303100065	wheel bearing	4
90	203050544	8 inch wheel	2
91	203050658	left wheel cover	1
92	203050662	battery pack cover	1
93	303100086	cover shaft	2
16	303010176	screw ST6.3x16	2
94	203050656	upper cover	1
95	303042019	flat wahser	1
96	303010363	screw ST4.2*10	1
97	203020047	cable clamp	1
16	303010176	screw ST6.3x16	4
98	203050657	bottom cover	1
99	303020124	hex bolt	7
100	303042013	flat wahser	6
101	303030077	lock nut M8	7
102	303081214	lower handle	1
103	303020057	T-screw M8x45	4
104	303043010	concave pad	4

ITEM	SKU#	DESCRIPTION	QTY
29	203020336A	knob	4
28	303030066	normal nut	4
105	303081213	middle handle	1
106	303081212	upper handle	1
107	301120014	light	1
108	301040045	power cord	1
109	303010028	screw 4*18	10
110	302070001	sealing ring	4
111	203050660	lower switch box	1
112	303130013	knob spring	1
113	303042019	flat wahser	1
114	303010313	screw 4x12	1
115	203021102A	switch button	1
116	203010655	push rod	1
117	203021101A	right switch trigger	2
118	203050552	upper switch box	1
114	303010313	screw 4x12	2
119	303130125	anti-self-locking button spring	1
120	203010656	anti-self-lock button	1
121	303130124	spring	1
122	301040078A	connection line	1
123	203050519	wire clip	2
97	203020047	cable clamp	2
124	301100046	switch	1



## **TWO (2) YEARS LIMITED WARRANTY**

POWERSMART IS COMMITTED TO BUILDING TOOLS THAT ARE DEPENDABLE FOR YEARS. OUR WARRANTIES ARE CONSISTENT WITH OUR COMMITMENT AND DEDICATION TO QUALITY.

TWO (2) YEARS LIMITED WARRANTY OF POWER SMART PRODUCTS FOR HOME USE.

POWERSMART ("SELLER") WARRANTS TO THE ORIGINAL PURCHASER ONLY, THAT ALL POWERSMART CONSUMER POWER TOOLS WILL BE FREE FROM DEFECTS IN MATERIAL OR WORKMANSHIP FOR A PERIOD OF TWO (2) YEARS FROM DATE OF PURCHASE. NINETY (90) DAYS FOR ALL POWERSMART PRODUCTS, IF THE TOOL IS USED FOR PROFESSIONAL OR COMMERCIAL USE.

SELLER'S SOLE OBLIGATION AND YOUR EXCLUSIVE REMEDY UNDER THIS TWO (2) YEARS LIMITED WARRANTY AND, TO THE EXTENT PERMITTED BY LAW, ANY WARRANTY OR CONDITION IMPLIED BY LAW, SHALL BE THE REPAIR OR REPLACEMENT OF PARTS, WITHOUT CHARGE, WHICH ARE DEFECTIVE IN MATERIAL OR WORKMANSHIP AND WHICH HAVE NOT BEEN MISUSED, CARELESSLY HANDLED, OR MISREPAIRED BY PERSONS OTHER THAN SELLER OR AUTHORIZED SERVICE CENTER. TO MAKE A CLAIM UNDER THIS LIMITED WARRANTY, YOU MUST RETURN THE ENTIRE POWER TOOL PRODUCT; TRANSPORTATION PREPAID, TO POWERSMART INCLUDE A LEGIBLE COPY OF THE ORIGINAL RECEIPT, WHICH LISTS THE DATE OF PURCHASE (MONTH AND YEAR) AND THE NAME OF THE COMPANY PURCHASED FROM.

THIS LIMITED WARRANTY DOES NOT APPLY TO ANY ACCESSORY ITEMS INCLUDED WITH THE TOOL SUCH AS CIRCULAR SAW BLADES OTHER RELATED ITEMS OR TO ANY REPLACEMENT PARTS LISTED UNDER MAINTENANCE.

ANY IMPLIED WARRANTIES SHALL BE LIMITED IN DURATION TO TWO (2) YEARS FROM DATE OF PURCHASE. SOME STATES IN THE U.S. AND SOME CANADIAN PROVINCES DO NOT ALLOW LIMITATIONS ON HOW LONG AN IMPLIED WARRANTY LASTS, SO THE ABOVE LIMITATION MAY NOT APPLY TO YOU.

IN NO EVENT SHALL SELLER BE LIABLE FOR ANY INCIDENTAL OR CONSEQUENTIAL DAMAGES (INCLUDING BUT NOT LIMITED TO LIABILITY FOR LOSS OF PROFITS) ARISING FROM THE SALE OR USE OF THIS PRODUCT. SOME STATES IN THE U.S. AND SOME CANADIAN PROVINCES DO NOT ALLOW THE EXCLUSION OR LIMITATION OF INCIDENTAL OR CONSEQUENTIAL DAMAGES, SO THE ABOVE LIMITATION OR EXCLUSION MAY NOT APPLY TO YOU.

THIS LIMITED WARRANTY GIVES YOU SPECIFIC LEGAL RIGHTS, AND YOU MAY ALSO HAVE OTHER RIGHTS WHICH VARY FROM STATE TO STATE IN THE U.S., PROVINCE TO PROVINCE IN CANADA AND FROM COUNTRY TO COUNTRY.

FOR QUESTIONS / COMMENTS, TECHNICAL ASSISTANCE OR REPAIR PARTS – PLEASE CALL TOLL FREE AT: 1-872-314-0005 (M-F 9AM – 5PM EST) EMAIL: [SUPPORT@AMERISUNINC.COM](mailto:SUPPORT@AMERISUNINC.COM)

SAVE YOUR RECEIPTS. THIS WARRANTY IS VOID WITHOUT THEM.

# **TABLE DE MATIÈRES**

FR

DONNÉES TECHNIQUES .....	18
INTRODUCTION.....	19
INFORMATIONS SUR LA SÉCURITÉ .....	19
CONNAÎTRE VOTRE CHASSE-NEIGE.....	23
FONCTIONNEMENT DE VOTRE CHASSE-NEIGE.....	24
ENTRETIEN .....	28
DÉPANNAGE .....	28
VUE ÉCLATÉE ET LISTE DES PIÈCES .....	29
GARANTIE LIMITÉE DE DEUX(2) ANS.....	33

## **DONNÉES TECHNIQUES**

Tension :	120V,60Hz
Puissance d'entrée :	15Amp
Vitesse de rotation :	2,100 RPM
Largeur et profondeur du défrichage :	Environ 53 cm x 31 cm (21 pouces x 12.5 pouces)
Distance de projection max. :	10 m (30 pieds)
Poids net :	18 kg (40 livres)

## **INTRODUCTION**

Merci d'acheter les produits de Power Smart<sup>®</sup>. Ce manuel fournit des informations concernant le fonctionnement et l'entretien de cette machine. En ce qui concerne les manuels actuellement disponibles pour votre modèle. Le droit de modifier ce produit et les spécifications réservées au Power Smart<sup>®</sup> peuvent être changées sans notification.



Vous devez lire, comprendre et suivre toutes les instructions et les consignes de sécurité de ce manuel avant d'essayer d'installer et d'utiliser votre souffleuse à neige. Bien gardez ce manuel pour aussi attirer l'attention sur les dommages du générateur ainsi que servir à service de l'exploitation et du entretien.

### **QUESTIONS? PROBLEMS?**

Afin de répondre aux questions et résoudre les problèmes, la manière plus efficace et rapide, contactez notre service après-vente au 872-314-0005, lun-ven 9am-5pm ou par [e-mail: support@amerisuninc.com](mailto:support@amerisuninc.com).

## **INFORMATION SUR LA SÉCURITÉ**

Veillez lire et comprendre tout ce manuel avant de tenter d'assembler, d'utiliser ou d'installer le produit.

### **Zone de travail**

- Gardez la zone de travail propre et bien éclairée. Les zones sombres encombrées invitent à des accidents.
- Ne pas faites fonctionner le chasse-neige dans une atmosphère explosive, comme en présence de liquides inflammables, de gaz ou de poussière. Les appareils électriques créent des étincelles qui peuvent enflammer la poussière ou les fumées.
- Éloignez les enfants, les animaux de compagnie et les spectateurs de la zone de travail. Soyez conscient que le bruit normal de la machine lorsqu'il est allumé peut rendre difficile pour vous d'entendre les gens approcher.

### **Sécurité électrique**

- Les fiches électriques doivent correspondre à la fiche. Ne modifiez jamais la fiche de quelque façon que ce soit. N'utilisez pas de fiches d'adaptateur avec des appareils à la terre. Les fiches non modifiées et les fiches assorties réduiront le risque de choc électrique.
- Évitez le contact corporel avec les surfaces terrestres ou échouées comme les tuyaux, les radiateurs, les gammes et les réfrigérateurs. Il y a un risque accru de choc électrique si votre corps est relié ou enraciné.
- N'abusez pas du cordon. Éloignez le cordon de la chaleur, de l'huile, des bords tranchants ou des pièces mobiles. Endommagez ou arrachez le cordon pour le déconnecter de la prise électrique.
- Remplacez ou réparez correctement les cordons endommagés. Si le cordon est endommagé de quelque manière que ce soit lorsqu'il est branché, tirez le cordon d'extension du réceptacle mural.
- Le contact avec l'eau pendant l'utilisation du chasse-neige peut entraîner un choc électrique et des blessures corporelles graves. N'utilisez pas le lance-neige dans des endroits humides ou ne vous exposez pas à la pluie. Ne manipulez pas la fiche ou l'appareil avec les mains mouillées ou en restant dans l'eau.
- Cordon d'extension - Avertissement - N'utilisez qu'un cordon d'extension notée UL pour une utilisation extérieure et tous temps (généralement couleur orange). Le cordon d'extension doit être de la bonne taille de jauge en fonction de sa longueur (voir page 24).
- Éteignez l'interrupteur d'alimentation et déconnectez le câble d'alimentation avant d'inspecter, d'entretenir, de réparer ou de nettoyer complètement l'arrêt du chasse-neige.
- Ne déplacez pas ou ne transportez pas le chasse-neige lorsque la fiche est connectée à la prise de courant et l'interrupteur allumé.

## Sécurité personnelle

- Restez vigilant-regardez ce que vous faites et faites preuve de bon sens lorsque vous utilisez le chasse-neige.
- Restez vigilant ce que vous faites et faites preuve de bon sens lorsque vous utilisez lechasse-neige.
- N'utilisez pas la machine lorsque vous êtes fatigué, malade ou sous l'influence de drogues, d'alcool ou de médicaments. Un moment d'inattention peut entraîner des blessures graves.
- Wear proper clothing-Wearing rubber boots offers additional protection from electric shock. Do not wear loose clothing or jewelry that may become caught in the machine. Wear protective headgear to keep hair away from revolving parts of the machine. Safety glasses offer better protection than everyday eyeglasses.
- Portez des bottes en caoutchouc portant des vêtements correctement offre une protection supplémentaire contre les chocs électriques.Ne portez pas de vêtements amples ou de bijoux qui peuvent être pris dans la machine.Portez un couvre-chef protecteur pour éloigner les cheveux des parties tournantes de la machine.Les lunettes de sécurité offrent une meilleure protection que les lunettes de tous les jours.
- Les pièces mobiles présentent des risques : Gardez votre visage, vos cheveux, vos vêtements, vos mains et vos pieds loin des pièces mobiles. Tous les gardes et les pièces jointes de sécurité doivent être installés correctement avant d'utiliser l'appareil.Éteignez et déconnectez le cordon avant de toucher d'autres pièces que les poignées et les interrupteurs.
- Surfaces-Ce chasse-neige est destiné à être utilisé sur les surfaces pavées. N'utilisez pas sur le gravier, la pierre ou d'autres surfaces non pavées à moins que le lanceur de neige ne soit ajusté pour de telles surfaces selon les instructions données dans le manuel des opérateurs.
- Évitez le démarrage accidentel-Assurez-vous que l'interrupteur est en position d'arrêt avant de brancher l'appareil. Ne portez pas le chasse-neige avec votre doigt sur l'interrupteur.
- Position du corps-Maintenez un pied et un équilibre adéquats en tout temps.Placez les talons fermement sur le sol et saisissez bien la barre de poignée.Surveillez les surfaces inégales et ne pas sur la portée.Si vous tombez ou entrez en collision avec le chasse-neige, inspectez l'appareil pour les dommages.Lorsque vous inclinez vers l'arrière, veillez à éviter les obstacles sous vos pieds ou derrière vous pour éviter de tomber.

## Utilisation et soins des chasse-neige

- Connaissez votre souffleur à neige-Familiarisez-vous avec les principales parties de votre chasse-neige.Lisez attentivement le manuel des opérateurs. Apprenez vos applications et limitations de chasse-neiges ainsi que les dangers potentiels spécifiques liés à cette machine.N'utilisez pas cette machine à d'autres fins que celle pour laquelle elle a été conçue.Dans le cas contraire, il peut causer des défauts mécaniques, des dommages graves ou des blessures corporelles.
- Inspection de l'unité préliminaire-Inspectez minutieusement l'appareil avant l'utilisation.Assurez-vous que toutes les pièces sont sécurisées et installées correctement. Si vous remarquez des anomalies, n'utilisez pas la machine jusqu'à ce qu'elle ait été correctement réparée.Effectuez toujours un essai la première fois que vous utilisez le chasse-neige ou après avoir remplacé les pièces pour vous assurer que l'appareil fonctionne correctement.
- Inspection préliminaire de la zone-Dégagez la zone à labourer avant chaque utilisation. Enlevez tous les objets tels que les roches, le verre brisé, les clous, le fil, ou la ficelle qui peuvent être jetés par ou s'emmêler dans le chasse- neige.Gardez la zone de fonctionnement à l'écart des autres personnes et des animaux de compagnie.
- Force excessive-Le chasse-neige a été conçu pour répondre à un certain rythme pour diverses conditions de neige pour une performance optimale de la bande de sécurité. Ne le forcez pas ; maintenez la pression constante.
- Commutateur défectueux-N'utilisez pas le chasse-neige si l'interrupteur ne l'allume pas et ne l'éteint pas.Tout appareil électrique qui ne peut pas être contrôlé par l'interrupteur n'est pas sûr à utiliser et doit être réparé.
- Hitting an object-If the snow thrower accidentally strikes an object, stop the snow thrower. Inspect for

- damage; repair or replace any damaged part before restarting and operating the snow thrower.
- Frappez un objet-Si le chasse-neige heurte accidentellement un objet, arrêtez le chasse-neige. Inspectez les dommages ; réparez ou remplacez toute pièce endommagée avant de redémarrer et d'utiliser le chasse-neige.
  - Sécurité de la chute de décharge-Ne dirigez jamais la chute de neige sur l'opérateur, sur les passants, les véhicules ou les fenêtres. La neige jetée et les objets étrangers accidentellement ramassés par le chasse-neige peuvent causer de graves dommages et des blessures corporelles. N'utilisez pas vos mains pour déboucher la chute de décharge. Arrêtez le moteur avant d'enlever les débris.
  - Opération anormale-Si vous remarquez le chasse-neige en cours d'exécution dans un état instable ou d'entendre des sons anormaux de la machine, arrêtez la machine, déconnectez la puissance immédiatement, et contactez votre distributeur d'origine.
  - Contrôle du bruit-Lorsque vous utilisez le chasse-neige de neige, vous devez respecter les lois et règlements locaux concernant le contrôle du bruit et la protection de l'environnement. Pour éviter les nuisances sonores, vous devez soigneusement décider d'un temps d'opération approprié et tenir compte des conditions environnantes.
  - Lorsque les travaux sont terminés-Débranchez le chasse-neige de la source d'alimentation lorsqu'il n'est pas utilisé, lors du changement d'accessoires, et avant d'effectuer tout entretien.
  - Sécurité des magasins-Rangez le chasse-neige à l'intérieur dans une zone sèche entre les utilisations. Gardez-vous dans une zone verrouillée où les enfants et les utilisateurs non autorisés ne peuvent pas y accéder. Ne stockez pas la machine pendant qu'elle est toujours connectée à la source d'alimentation. Il peut causer des dommages et des blessures
  - Maintenez la sécurité et la longévité-Vérifiez s'il y a mal d'alignement ou de fixation des pièces mobiles, de la rupture des pièces et de toute autre condition qui pourrait affecter le fonctionnement des unités. En cas d'endommagement, réparez ou remplacez la pièce endommagée avant l'utilisation. Utilisez uniquement les pièces de rechange fabriquées pour votre modèle. Lors du remplacement des pièces, vous devez observer strictement les instructions et les procédures décrites dans ce manuel. Un soin spécial devrait être accordé à toutes les pièces en caoutchouc, puisque ces pièces peuvent augmenter la charge du moteur et diminuer sa puissance mécanique en cas d'endommagement.

# ÉTIQUETTES DE PRODUITS

AVERTISSEMENT - Lisez, comprenez et respectez toutes les étiquettes et marquages de sécurité sur l'appareil.

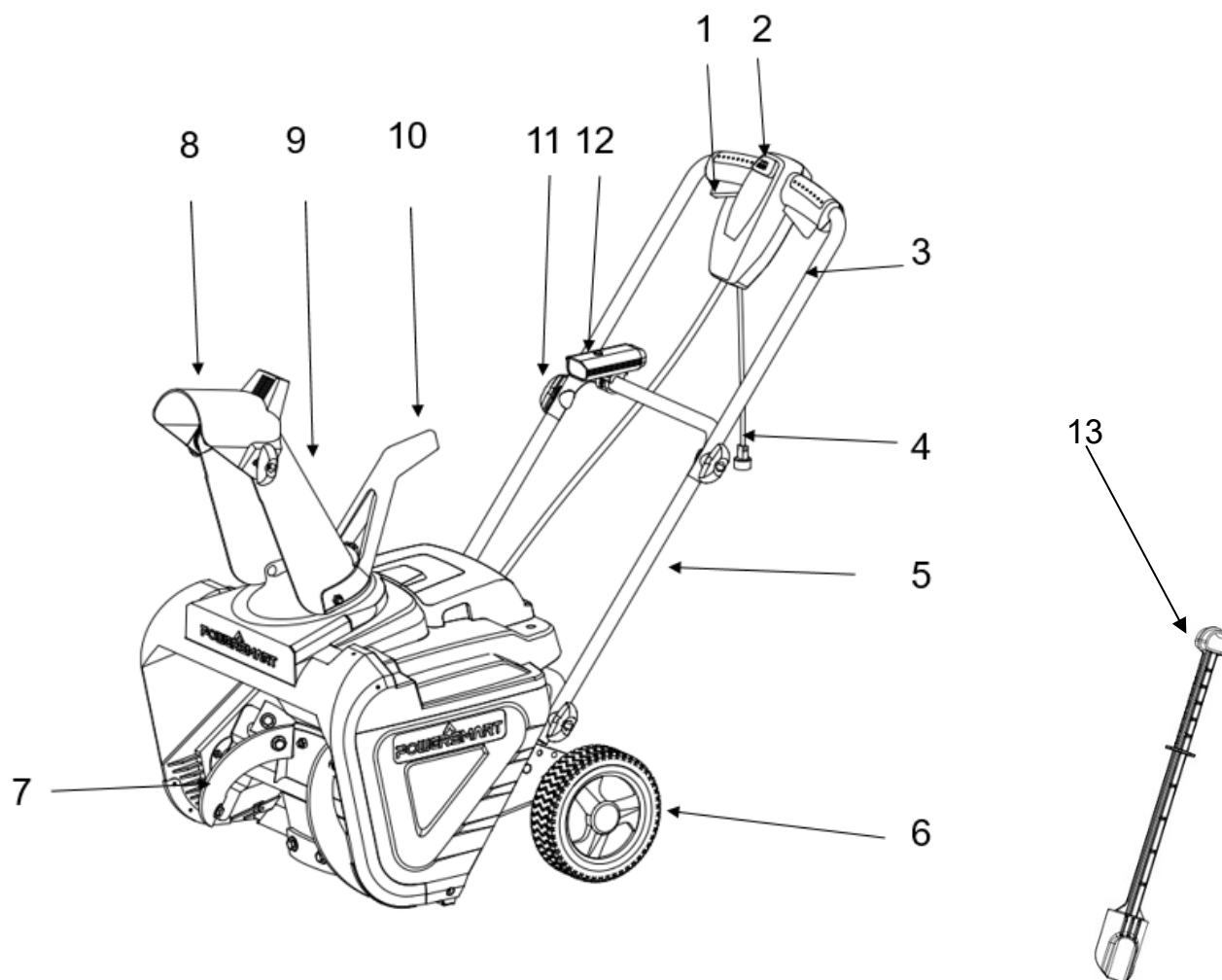


## ATTENTION

Inspectez le câblage qui, s'il est endommagé pendant le transport, peut causer des blessures corporelles graves lors de l'utilisation de l'équipement. Si vous constatez ou soupçonnez des dommages, ne procédez pas au montage. Contactez plutôt notre service clientèle au 1-872-314-0005.

Manipulez avec soin pendant l'assemblage afin de ne pas endommager le câblage électrique.

# CONNAÎTRE VOTRE CHASSE-NEIGE



- |   |                        |    |                          |
|---|------------------------|----|--------------------------|
| 1 | Contrôle de la tarière | 7  | Tarière                  |
| 2 | Bouton de commutation  | 8  | Défecteur de goulotte    |
| 3 | Tube supérieur         | 9  | Goulotte                 |
| 4 | Fiche polarisée        | 10 | Manivelle de la goulotte |
| 5 | Tube inférieur         | 11 | Bouton                   |
| 6 | Roue                   | 12 | Lumière                  |
|   |                        | 13 | Outil de nettoyage       |

# **INSTRUCTIONS D'UTILISATION**

Remarque : Avant d'utiliser cette machine, assurez-vous que la source d'alimentation que vous utiliserez est conforme au manuel détaillé des spécifications. Avant d'insérer la fiche dans la prise, vérifiez que la tarière et la raclette de la souffleuse sont fermement fixées à l'aide de vis. Effectuez un essai pour vous assurer que le rotor tourne librement.

## **FIXATION DE LA RALLONGE**

1. Pour une utilisation sûre et efficace de votre souffleuse à neige, utilisez uniquement une rallonge homologuée UL recommandée pour une utilisation en extérieur. Consultez le tableau des rallonges ci-dessous.

### **⚠ AVERTISSEMENT**

Les décharges électriques peuvent causer des BLESSURES GRAVES ou la MORT. Tenez compte de ces avertissements :

- Ne laissez aucune partie de la souffleuse entrer en contact avec l'eau lorsqu'elle est sous tension. Si l'appareil devient humide lorsqu'il est éteint, essuyez-le avant de le mettre en marche.
- N'utilisez qu'une rallonge homologuée UL pour une utilisation en extérieur, par tous les temps. N'utilisez pas une rallonge de plus de 150 pieds de long.
- Ne touchez pas l'appareil ou sa prise avec des mains mouillées ou en restant dans l'eau. Le port de bottes en caoutchouc offre une certaine protection.

## **TABLEAU DES CORDONS DE RALLONGE**

Longueur du cordon	Jusqu'à 100 pieds.	100-150 pieds
Calibre des fils	14	12

2. Pour éviter que la rallonge ne se débranche pendant l'utilisation, attachez l'extrémité femelle de la rallonge à un nœud lâche sur le côté supérieur droit du cadre central (B) avant de la brancher à la fiche mâle dans la prise de la souffleuse.

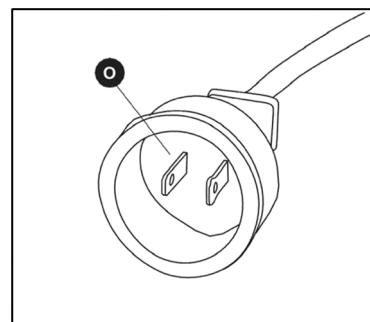
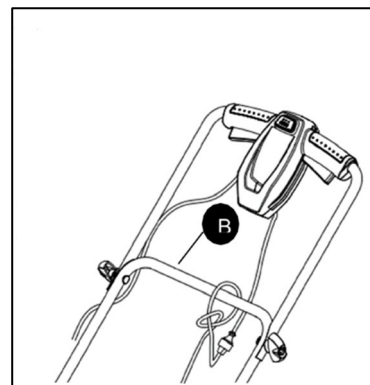
Remarque : Le couvercle de protection autour de la fiche polarisée est compatible avec la plupart des rallonges. Lorsque vous choisissez une rallonge, assurez-vous que l'extrémité femelle de votre cordon s'adapte à la fiche polarisée.

3. Notez que la souffleuse a une prise mâle polarisée (O), avec une broche dans la prise légèrement plus longue et plus large que l'autre. L'extrémité femelle de la rallonge doit être également polarisée, de sorte que la rallonge s'insère bien dans la prise.

### **⚠ AVERTISSEMENT**

Les cordons électriques endommagés présentent des risques d'incendie, de décharge électrique et de blessures corporelles graves.

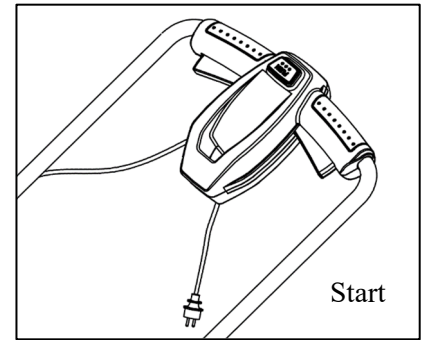
Avant d'utiliser la souffleuse, examinez soigneusement le cordon électrique. Si le cordon est endommagé, n'utilisez pas la souffleuse. Remplacez ou réparez le cordon endommagé immédiatement. Si vous avez besoin d'aide, contactez notre service clientèle au 1-872-314-0005.



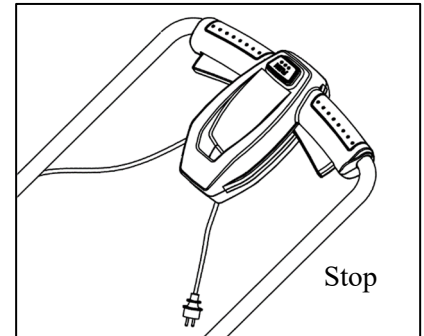


## MISE SOUS TENSION ET HORS TENSION

1. Branchez la rallonge à la prise mâle de la souffleuse, puis branchez la rallonge à la source d'alimentation CA appropriée.
2. Appuyez sur le bouton de l'interrupteur et maintenez-le enfoncé.

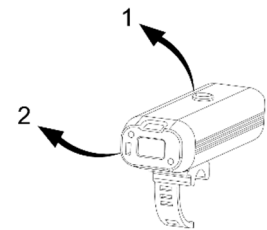


3. Pour commencer, tout en maintenant le bouton de l'interrupteur enfoncé, tirez le guidon vers vous jusqu'à ce qu'il touche la poignée. Le bouton de l'interrupteur doit être enfoncé et maintenu avant de tirer sur la poignée. Une fois que la souffleuse démarre, relâchez le bouton.
4. Pour arrêter, relâchez le bouton de l'interrupteur.



## AVEC LA LUMIÈRE

1. Appuyez sur le bouton 1 pour contrôler la lumière. Appuyez une fois sur highlight, deux fois sur Low Light et trois fois sur flash. Appuyez 4 fois pour éteindre les lumières..
2. 2 pour le port de chargement, l'interrupteur de la lampe est rouge pendant le chargement et vert pendant le chargement.



## LE DÉPLACEMENT DE LA MACHINE ET LE DÉNEIGEMENT

**AVERTISSEMENT** Les objets étrangers, tels que les pierres, le verre brisé, les clous, le fil de fer ou la ficelle, peuvent être ramassés et jetés par la souffleuse à neige, causant ainsi de graves blessures. Retirez tous les corps étrangers de la zone à labourer avant de faire fonctionner la souffleuse à neige.

- Maintenez la zone de travail exempte de tout corps étranger qui pourrait être projeté par les pales du rotor.
- Effectuez une inspection approfondie de la zone car certains objets peuvent être cachés par la neige environnante. Si la souffleuse heurte un obstacle ou ramasse un corps étranger pendant l'utilisation, arrêtez la souffleuse, débranchez la rallonge, retirez l'obstacle et inspectez l'appareil pour voir s'il n'est pas endommagé. Réparez ou remplacez toute pièce endommagée avant de redémarrer et de faire fonctionner l'appareil.
- Tenez les enfants, les animaux domestiques et les passants à l'écart de la zone d'utilisation. Sachez que le bruit normal de l'appareil lorsqu'il est allumé peut vous rendre difficile d'entendre les personnes qui s'approchent.
- Lorsque vous déplacez la souffleuse, utilisez les roues latérales comme point de pivotement. Inclinez légèrement la souffleuse sur ce point de pivotement pour la faire avancer ou reculer.
- Pour déblayer dans la direction opposée, arrêtez-vous sur le cordon et faites pivoter la souffleuse sur ses roues. Veillez à ce que les trajets de déblaiement se chevauchent.
- Notez la direction du vent. Si possible, déplacez-vous dans la même direction que le vent afin que la neige ne soit pas projetée contre le vent (et donc de nouveau sur votre visage et sur la parcelle).
- Pendant le déplacement de la souffleuse, ne tirez pas violemment ou brutalement sur le câble électrique.

- La souffleuse doit se déplacer dans la zone que le câble peut atteindre.
- Ne poussez pas la souffleuse avec une force excessive. Vous devez pousser la machine doucement et uniformément en fonction du taux de projection de l'unité.
- Certaines parties de la souffleuse à neige peuvent geler dans des conditions de température extrêmes. N'essayez pas de faire fonctionner la souffleuse avec des pièces gelées. Si les pièces gèlent pendant que la souffleuse est utilisée, arrêtez la souffleuse, débranchez la rallonge et vérifiez si les pièces sont gelées. Libérez toutes les pièces avant de faire fonctionner la souffleuse. Ne forcez jamais les commandes qui ont gelé.
- Travaillez sur des cailloux, du gravier ou des surfaces non pavées - Pour éviter de projeter des matériaux de surface meubles avec la neige, appuyez sur le grattoir situé à la base de l'appareil pour le soulever au-dessus des cailloux ou du gravier.

## CHANGER LA DIRECTION ET LA HAUTEUR DU LANCER

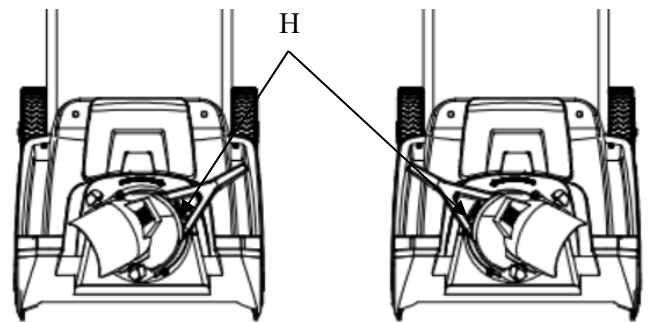


### AVERTISSEMENT

Ne dirigez jamais la goulotte d'évacuation de la neige vers l'opérateur, vers les passants, vers les véhicules ou vers les fenêtres proches. La décharge de neige et de corps étrangers ramassés accidentellement par la souffleuse peut causer de graves dommages et des blessures corporelles.

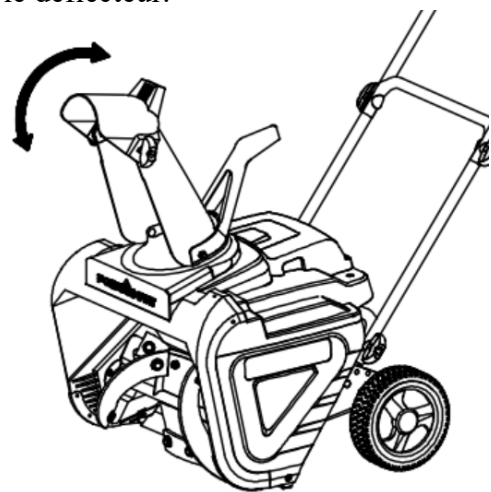
Orientez toujours la goulotte d'éjection dans la direction opposée à celle où vous, les spectateurs, les véhicules environnants ou les fenêtres se trouvent.

1. La goulotte d'évacuation (H) peut être réglée à 180 degrés en tournant la manivelle de la goulotte. Tournez la manivelle de commande de la goulotte dans le sens des aiguilles d'une montre pour déplacer la goulotte de décharge (H) vers la gauche, dans le sens inverse des aiguilles d'une montre pour déplacer la goulotte vers la droite.



2. Le déflecteur situé au sommet de la goulotte d'évacuation (H) contrôle la hauteur du jet de neige. Desserrez les deux boutons du déflecteur de la goulotte pour lever ou abaisser le déflecteur à la hauteur souhaitée pour projeter la neige. Serrez les boutons pour fixer le déflecteur.

Remarque : Ne serrez pas trop les boutons du déflecteur de la goulotte.

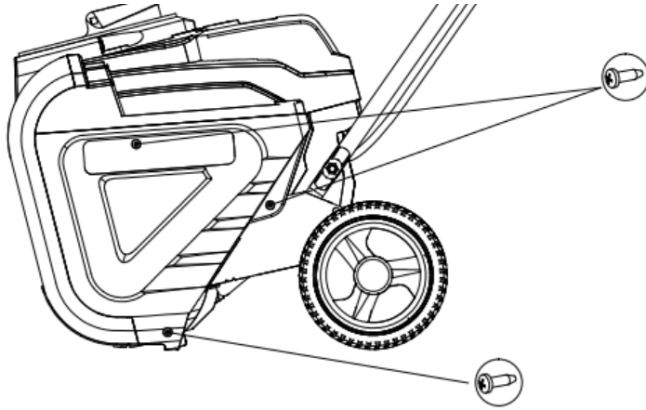


## REPLACEMENT DE LA COURROIE D'ENTRAÎNEMENT

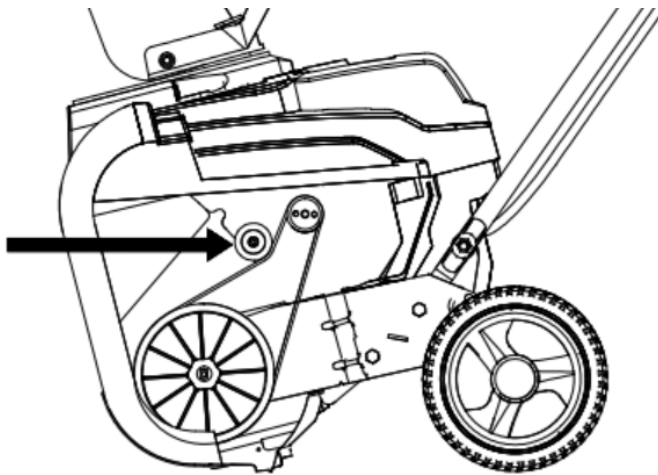
**AVERTISSEMENT** Risque d'enchevêtrement - Avant d'effectuer toute procédure d'entretien, assurez-vous que la souffleuse à neige est débranchée de la source d'alimentation.

Note : Enregistrez la position des composants avant le démontage, pour faciliter le remontage.

1. À l'aide d'un tournevis, retirez les 3 vis qui fixent le couvercle de la courroie au boîtier.



2. Poussez manuellement la poulie de tension de la courroie vers le haut pour réduire la tension de la courroie.



Note : Lors du remplacement de la courroie, il est important de déterminer la cause de la défaillance (le cas échéant) et de prendre des mesures correctives pour éviter des défaillances répétées.

3. Inspectez l'ancienne courroie, les poulies et le ressort de tension avant d'installer une nouvelle courroie pour vérifier qu'ils ne sont pas endommagés ou usés, et remplacer les pièces si nécessaire
4. Inspectez la nouvelle ceinture pour vous assurer qu'elle est de la bonne taille et du bon type.  
Original - Numéro de pièce : 3PK695
5. La tension manuelle de la courroie permet d'installer la nouvelle courroie.
6. Positionnez la courroie sur la petite poulie d'entraînement, puis, tout en maintenant la poulie de tension de la courroie à l'écart de la courroie, enroulez soigneusement la courroie sur la grande poulie. N'endommagez pas la nouvelle courroie pendant l'installation.
7. À l'aide d'un tournevis, installez 3 vis fixant le couvercle de la courroie au boîtier.

# ENTRETIEN

## AVERTISSEMENT

Veillez à éteindre l'interrupteur et à débrancher la rallonge avant d'effectuer toute opération de maintenance sur votre souffleuse.

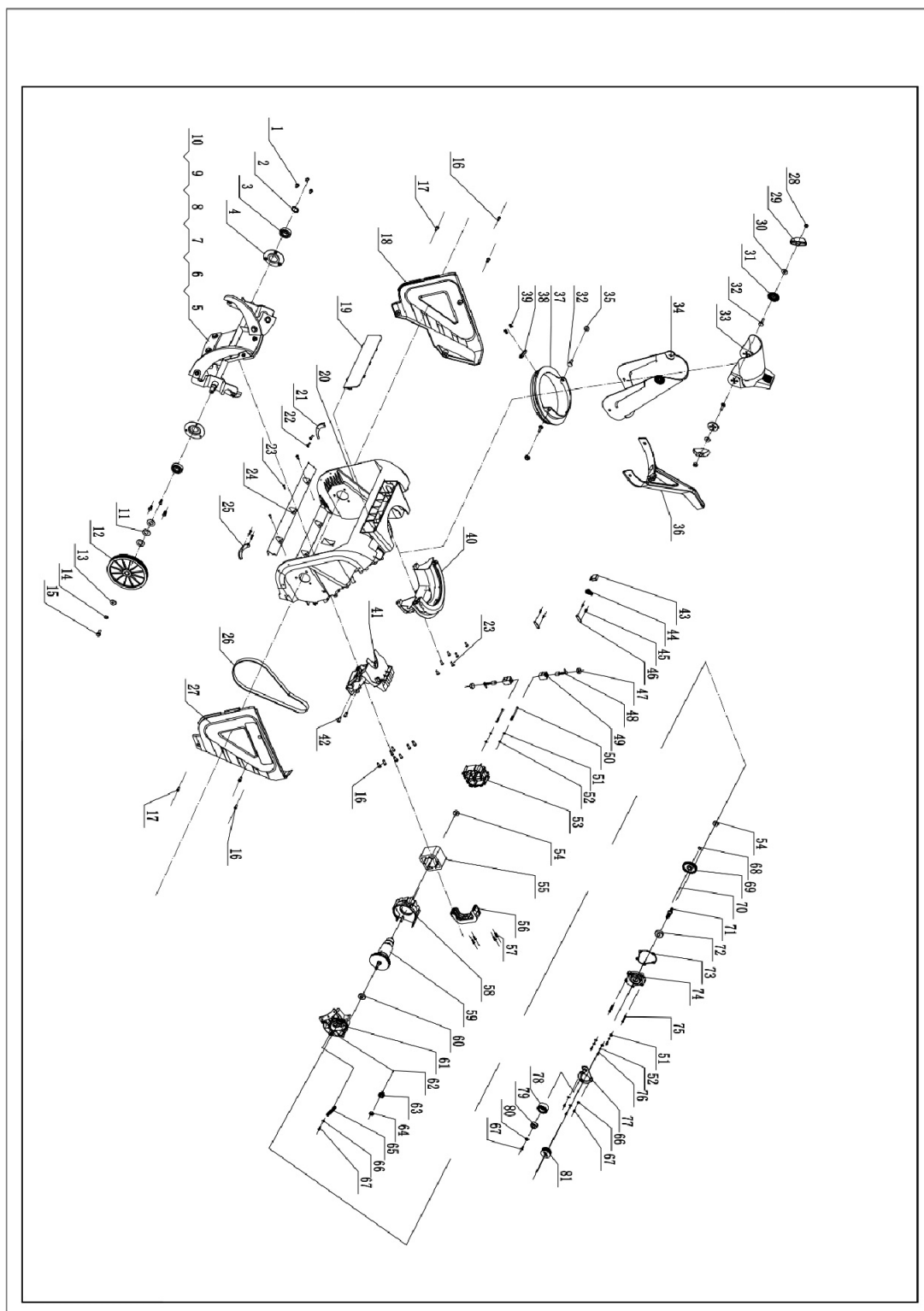
- Faites fonctionner la souffleuse pendant quelques minutes pour faire fondre la neige qui s'y trouve. Coupez l'alimentation de la souffleuse à neige.
- Débranchez la rallonge de la souffleuse.
- Examinez soigneusement la rallonge pour détecter tout signe d'usure ou de dommage. Remplacez-la si elle est usée ou endommagée.
- Examinez soigneusement la souffleuse à neige pour détecter les boulons usés, desserrés ou les pièces endommagées. Pour la réparation ou le remplacement de pièces, contactez le service clientèle.
- Rangez la rallonge avec la souffleuse à neige.
- Stockez l'appareil dans un endroit verrouillé et sec ou en hauteur et au sec pour éviter toute utilisation non autorisée/tout dommage et tenez-le hors de portée des enfants. Conservez le manuel d'instructions avec l'appareil pour une utilisation ultérieure.

## DÉPANNAGE

Problème	Causes possibles		Solution	
<b>AVERTISSEMENT</b> - Avant de procéder à toute inspection, réparation ou réglage, arrêtez la souffleuse, attendez que toutes les pièces mobiles s'arrêtent de bouger et débranchez soigneusement la rallonge électrique de la source d'alimentation.				
Pas de condition de démarrage, ne s'allume pas	1	Pas d'alimentation en courant alternatif	1	Connectez-vous à une bonne source d'alimentation en courant alternatif connue
	2	Rallonge non branchée	2	Branchez la rallonge à la source d'alimentation et à la souffleuse en toute sécurité
	3	Rallonge électrique défectueuse	3	Connectez une bonne rallonge électrique connue
	4	Procédure de démarrage inappropriée	4	Revoyez la procédure de <i>mise en marche et arrêt</i> dans ce manuel
	5	Tarière endommagée ou bloquée	5	Vérifiez si la vis sans fin est endommagée, bloquée ou gelée, réparez-la si nécessaire
	6	Interrupteur, câblage ou moteur défectueux	6	Appelez le service clientèle ou le centre de contact
S'allume, mais ne souffle pas la neige	1	Tarière endommagée ou bloquée	1	Vérifiez si la vis sans fin est endommagée, bloquée ou gelée, réparez-la si nécessaire
	2	Goulotte bloquée ou endommagée	2	Vérifiez si la goulotte est endommagée ou obstruée, réparez-la si nécessaire
	3	Courroie d'entraînement endommagée ou desserrée	3	Vérifiez l'état de la courroie d'entraînement, réparez-la si nécessaire (la courroie d'entraînement se trouve sur le côté gauche derrière le couvercle)
S'allume, mais ne fonctionne pas à pleine vitesse	1	Rallonge électrique défectueuse	1	Connectez une bonne rallonge électrique connue
	2	Rallonge électrique non appropriée	2	Vérifiez la longueur et le calibre de la rallonge pour une utilisation correcte, consultez le <i>Tableau des rallonges</i> dans ce manuel
	3	Tarière endommagée ou bloquée	3	Vérifiez si la vis sans fin est endommagée, bloquée ou gelée état, réparation si nécessaire
	4	Courroie d'entraînement endommagée ou desserrée	4	Vérifiez l'état de la courroie d'entraînement, réparez-la si nécessaire (la courroie d'entraînement se trouve sur le côté gauche derrière le couvercle)
	5	Câblage ou moteur défectueux	5	Appelez le service clientèle ou le centre de contact

# VUE EXPLOSÉE ET LISTE DES PIÈCES

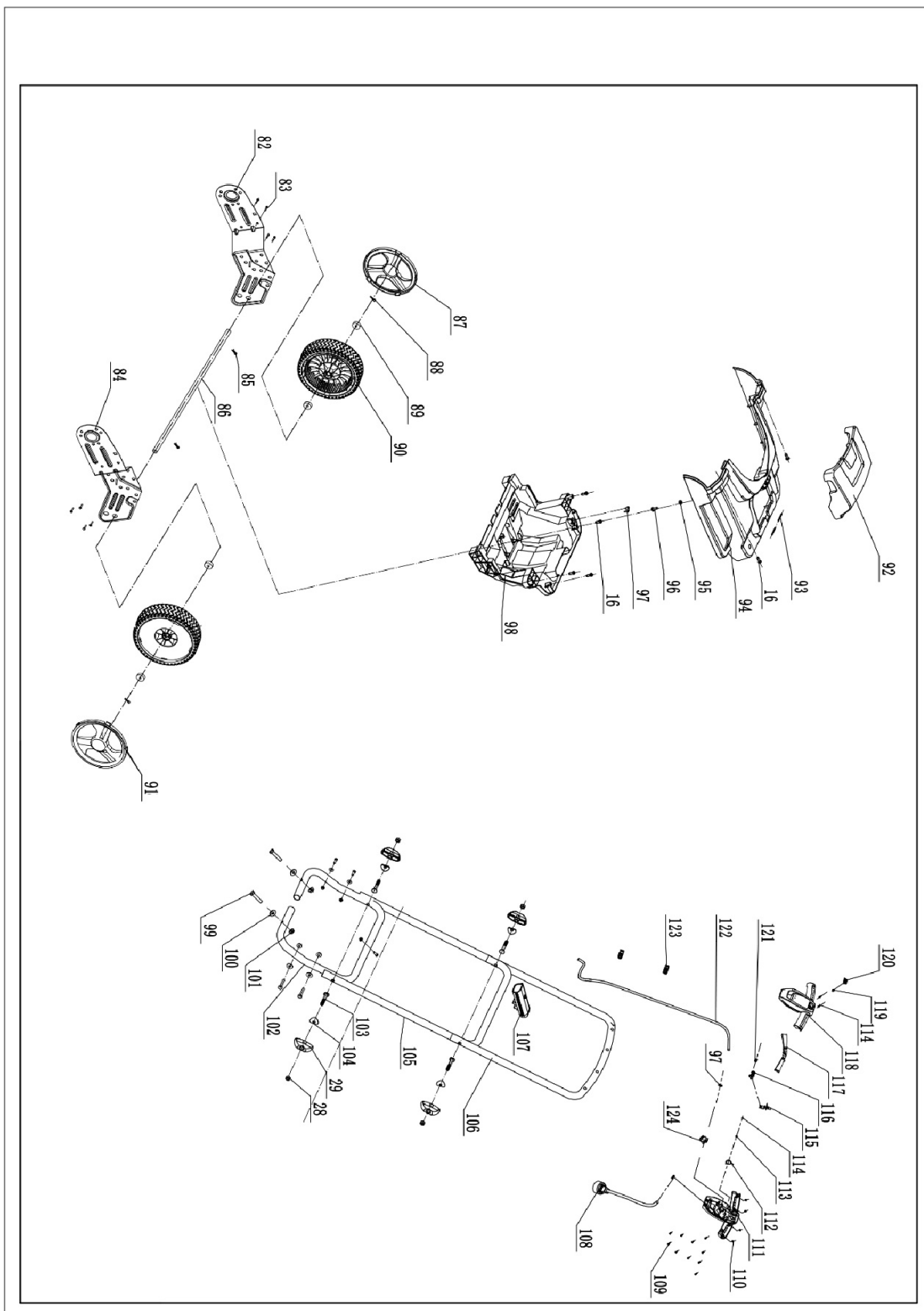
## Assemblée du logement Auger



ITEM	SKU#	DESCRIPTION	QTY
1	303020561	boulon hexagonal M6 * 16	6
2	303050066	bague d'arbre Φ17	1
3	303100034	roulement à billes 6203Z	2
4	303070797	plateau de roulement soudé	2
5	303020106	boulon hexagonal M8*20	12
6	303042013	rondelle plate	12
7	303030036	contre-écrou M8	12
8	302110091	grattoir court	2
9	302110092	grattoir long	4
10	303181282	arbre de tarière soudé	1
11	303042018	rondelle plate Φ18*Φ24*2	3
12	203010646	poulie à courroie	1
13	303042009	rondelle plate	1
14	303041009	rondelle élastique φ6	1
15	303020282	boulon hexagonal	1
16	303010176	vis ST6.3×16	2
17	303010383	vis ST4.8*10	1
18	203050655	couvercle latéral droit	1
19	203010747	plaque LOGO	1
20	203050170A	base	1
21	303070739	coin droit	1
22	303010284	vis ST4.8×12	4
23	303010108	vis ST4.8*16	3
24	303070741A	Pelle	1
25	303070738	coin gauche	1
26	302040090	courroie 3PK695	1
27	203050654	couvercle latéral gauche	1
17	303010383	vis ST4.8*10	1
16	303010176	vis ST6.3×16	2
28	303030066	écrou normal	2
29	203020336A	bouton	2
30	303042023	rondelle plate	2
31	203020380	coussinet dentaire M8 * 25	2
32	303020161	boulon	4
33	203050174	toboggan supérieur	1
34	203050175	toboggan moyen	1
35	303030077	contre-écrou M8	2
36	203010648	poignée de toboggan	1
37	203050172	disque rotatif	1
38	203010647	bloc situé	1
39	303130138	ressort de pression de toboggan	2
40	203050171	partie de base	1
41	203050567	support de moteur	1
42	303010358	vis ST4.2×14	2
16	303010176	vis ST6.3×16	8
23	303010108	vis ST4.8*16	6

ITEM	SKU#	DESCRIPTION	QTY
43	301080009	protecteur de surintensité	1
44	306010037	capuchon de sertissage de vis	1
45	303010203	vis 3*10	4
46	303070074	porte-brosse	2
47	301110043	couvercle de brosse	2
48	301110058	carbone électrique	2
49	301110044	composant de brosse	2
50	303010162	vis ST4×70	2
51	303041008	rondelle élastique	2
52	303042038	rondelle plate	2
53	203020050	support de moteur arrière	1
54	303100023	roulement à billes 608Z	1
55	301030008	stator	1
56	203050587	support de moteur	1
57	303010185	vis ST6.3*30	4
58	203020063	support de moteur avant	1
59	301030005A	rotor	1
60	303100030	roulement à billes 6001Z	1
61	303090005	couvercle moyen	1
62	303110021	clé d'aspérule	1
63	203060019	petit engin	1
64	303030047	écrou M8-	1
65	303130019	ressort de tendeur	1
66	303042019	rondelle plate	1
67	303020077	boulon M4*10	1
54	303100023	roulement à billes 608Z	1
68	303050029	bague d'arbre	1
69	303160004	gros engin	1
70	303110020	clé d'aspérule	1
71	303160111	arbre de sortie	1
72	303100024	roulement à billes 6201Z	1
73	303070029	tampon d'huile	1
74	303090002	couvercle d'extrémité	1
75	303010221	vis ST4×40	2
51	303041008	rondelle élastique	3
52	303042038	rondelle plate	3
76	303020079	boulon M4*14	3
77	303180588	soudage de support de roue de tension	1
66	303042019	rondelle plate	3
67	303020077	boulon M4*10	3
78	203020077	roue de tension	1
79	303100016	roulement à billes 6000RS	1
80	303042035	rondelle plate	1
67	303020077	boulon M4*10	1
81	303160957	petite poulie	1

# Assemblage par panneaux



ITEM	SKU#	DESCRIPTION	QTY
82	303071480	plaque de support droite	1
83	303010353	vis ST6.3x16	8
84	303071479	plaque de support gauche	1
85	303160845	broche papillon	2
86	303181283A	arbre	1
87	203021421	enjoliveur de roue droite	1
88	303121002	goupille fendue	2
89	303100065	roulement de roue	4
90	203050544	roue de 8 pouces	2
91	203050658	enjoliveur de roue gauche	1
92	203050662	couvercle de bloc-batterie	1
93	303100086	arbre de couvercle	2
16	303010176	vis ST6.3x16	2
94	203050656	couvercle supérieur	1
95	303042019	rondelle plate	1
96	303010363	vis ST4.2*10	1
97	203020047	serre-câble	1
16	303010176	vis ST6.3x16	4
98	203050657	couvercle inférieur	1
99	303020124	boulon hexagonal	7
100	303042013	rondelle plate	6
101	303030077	contre-écrou M8	7
102	303081214	poignée inférieure	1
103	303020057	Vis en T M8x45	4
104	303043010	coussinet concave	4

ITEM	SKU#	DESCRIPTION	QTY
29	203020336A	bouton	4
28	303030066	écrou normal	4
105	303081213	poignée moyenne	1
106	303081212	poignée supérieure	1
107	301120014	lumière	1
108	301040045	cordon d'alimentation	1
109	303010028	vis 4*18	10
110	302070001	bague d'étanchéité	4
111	203050660	boîtier de commutation inférieur	1
112	303130013	ressort de bouton	1
113	303042019	rondelle plate	1
114	303010313	vis 4x12	1
115	203021102A	bouton d'interrupteur	1
116	203010655	poussoir	1
117	203021101A	gâchette droite	2
118	203050552	boîtier de commutation supérieur	1
114	303010313	vis 4x12	2
119	303130125	ressort de bouton anti-autoblocage	1
120	203010656	bouton anti-autoblocage	1
121	303130124	ressort	1
122	301040078A	fil de connexion	1
123	203050519	pince à câble	2
97	203020047	serre-câble	2
124	301100046	interrupteur	1



## **GARANTIE LIMITÉE DE DEUX (2) ANS**

PowerSmart s'engage à construire des outils fiables pendant des années. Nos garanties sont conformes à notre engagement et à notre dévouement à la qualité.

DEUX (2) ANS DE GARANTIE LIMITÉE POUR LES PRODUITS POWERSMART À USAGE DOMESTIQUE.

PowerSmart (*Vendeur*) garantit à l'acheteur d'origine uniquement, que tous les outils électriques PowerSmart destinés au grand public seront exempts de tout défaut de matériau ou de fabrication pendant une période de DEUX (2) ans à compter de la date d'achat. Quatre-vingt-dix (90) jours pour tous les produits PowerSmart, si l'outil est utilisé pour un usage professionnel ou commercial.

LA SEULE OBLIGATION DU VENDEUR ET VOTRE SEUL RECOURS dans le cadre de cette garantie limitée de DEUX (2) ans et, dans la mesure où la loi le permet, toute garantie ou condition implicite de la loi, sera la réparation ou le remplacement des pièces, sans frais, qui sont défectueuses en termes de matériel ou de fabrication et qui n'ont pas été mal utilisées, manipulées avec négligence ou mal réparées par des personnes autres que le vendeur ou le centre de service autorisé. Pour faire une réclamation au titre de la présente garantie limitée, vous devez retourner l'ensemble du produit à PowerSmart, en port payé, accompagné d'une copie lisible du reçu original, qui indique la date d'achat (mois et année) et le nom de la société auprès de laquelle l'achat a été effectué.

CETTE GARANTIE LIMITÉE NE S'APPLIQUE PAS AUX ACCESSOIRES FOURNIS AVEC L'OUTIL, TELS QUE LES LAMES DE SCIE CIRCULAIRE ET AUTRES ARTICLES CONNEXES, NI AUX PIÈCES DE RECHANGE ÉNUMÉRÉES DANS LA SECTION *ENTRETIEN*.

TOUTE GARANTIE IMPLICITE EST LIMITÉE À UNE DURÉE DE DEUX (2) ANS À COMPTER DE LA DATE D'ACHAT. CERTAINS ÉTATS AMÉRICAINS ET CERTAINES PROVINCES CANADIENNES NE PERMETTENT PAS DE LIMITER LA DURÉE D'UNE GARANTIE IMPLICITE, DE SORTE QUE LA LIMITATION CI-DESSUS PEUT NE PAS S'APPLIQUER À VOUS.

EN AUCUN CAS, LE VENDEUR NE PEUT ÊTRE TENU RESPONSABLE DES DOMMAGES ACCESSOIRES OU INDIRECTS (Y COMPRIS, MAIS SANS S'Y LIMITER, LA RESPONSABILITÉ POUR LA PERTE DE PROFITS) DÉCOULANT DE LA VENTE OU DE L'UTILISATION DE CE PRODUIT. CERTAINS ÉTATS AMÉRICAINS ET CERTAINES PROVINCES CANADIENNES N'AUTORISENT PAS L'EXCLUSION OU LA LIMITATION DES DOMMAGES ACCESSOIRES OU INDIRECTS, DE SORTE QUE LA LIMITATION OU L'EXCLUSION CI-DESSUS PEUT NE PAS S'APPLIQUER À VOUS.

LA PRÉSENTE GARANTIE LIMITÉE VOUS DONNE DES DROITS LÉGAUX SPÉCIFIQUES, ET VOUS POUVEZ ÉGALEMENT AVOIR D'AUTRES DROITS QUI VARIENT D'UN ÉTAT À L'AUTRE AUX ÉTATS-UNIS, D'UNE PROVINCE À L'AUTRE AU CANADA ET D'UN PAYS À L'AUTRE.

Pour toute question / commentaire, assistance technique ou pièces de rechange, veuillez appeler le numéro gratuit suivant 1-872-314-0005 (du lundi au vendredi de 9h à 17h EST) Email : [support@amerisuninc.com](mailto:support@amerisuninc.com)

CONSERVEZ VOS REÇUS. CETTE GARANTIE EST NULLE SANS EUX.

## **CONTENIDOS**

Datos técnicos .....	34
Introducción... ..	35
Información de seguridad.....	35
Conocer el soplador de nieves.....	40
Manejar el soplador de nieves .....	41
Mantenimiento .....	45
Solución de problemas .....	45
Dibujo despiezado y lista de piezas.....	46
Garantía limitada de dos (2) años.....	50

## **DATOS TÉCNICOS**

Voltaje:	120 V, 60 Hz
Energía de entrada:	15Amp
Velocidad de rotación:	2,100 RPM
Ancho y profundidad de limpieza:	Aprox. 53 cm x 31 cm (21 pulg. X 12.5 pulg.)
Max. distancia de lanzamiento:	10 m (30 pies)
Peso neto:	18 kg (40 libras)

## **INTRODUCCIÓN**

Gracias por comprar el producto de PowerSmart®. Este manual proporciona información con respecto a las operación de seguridad y el mantenimiento de este producto. Se ha realizado todos los esfuerzos para garantizar la exactitud de la información de este manual. PowerSmart® se reserva el derecho de cambiar este producto y las especificaciones en cualquier momento sin previo aviso.

Mantengan este manual a disposición todos los usuarios durante toda la vida del soplador de nieves.



Este manual contiene informaciones especiales para alertar sobre los problemas potenciales de seguridad, los daños al soplador de nieves las informaciones sobre las operaciones y el mantenimiento. Por favor, lea toda la información concienzudamente para evitar las lesiones corporales y los daños a la máquina.

### **¿PREGUNTAS? ¿PROBLEMAS?**

Con el objetivo de contestar las preguntas y resolver los problemas de la manera más eficiente y rápida, contacte con Servicio del Cliente (872) 314-0005, lunes- viernes de 9am a 5pm EST (Hora Estándar del Este Unidos) o por e-mail: support@amerisuninc.com.

## **INFORMACIÓN DE SEGURIDAD**

Lea y comprenda todo este manual antes de intentar ensamblar, operar o instalar el producto.

### **Área de Trabajo**

- Mantenga área de trabajo limpia y bien iluminada. Las áreas oscuras y desordenadas provocan accidentes.
- No utilice el lanzador de nieve en una atmósfera explosiva, como en presencia de líquidos, gases o polvo inflamables. Los aparatos eléctricos generan chispas que pueden encender el polvo o los vapores.
- Mantenga a los niños, mascotas y espectadores alejados del área de trabajo. Tenga en cuenta que el ruido normal de la máquina cuando está encendida puede dificultarle escuchar a las personas que se acercan.

### **Seguridad Eléctrica**

- Los enchufes eléctricos deben coincidir con el tomacorriente. Nunca modifique el enchufe de ninguna manera. No utilice enchufes adaptadores con aparatos de puesta a tierra. Los enchufes no modificados y los tomacorrientes correspondientes reducirán el riesgo de descargaléctrica.
- Evite el contacto del cuerpo con superficies de puesta a tierra como tuberías, radiadores, cocinas y refrigeradores. Existe un mayor riesgo de descargaléctrica si su cuerpo está puesta a tierra.
- No abuse del cable. Mantenga cable alejado del calor, aceite, bordes afilados o piezas móviles. Dañar o tirar del cable para desconectarlo del tomacorriente.
- Reemplace o repare adecuadamente los cables dañados. Si el cable se daña de alguna manera mientras está enchufado, tire del cable de extensión del receptáculo de la pared.
- El contacto con el agua mientras se opera lanzador de nieve puede provocar una descargaléctrica y lesiones corporales graves. No utilice el lanzador de nieve en lugares húmedos o mojados ni la esponja a la lluvia. No manipule el enchufe o el aparato con las manos mojadas o mientras esté parado en el agua.
- Cable de extensión-ADVERTENCIA-Utilice únicamente un cable de extensión con clasificación UL para uso EN EXTERIORES, en todo clima (generalmente de color naranja). El cable de extensión DEBE tener el calibre adecuado según su longitud (consulte la página 41). El cable de extensión no se

desconecte durante el funcionamiento. Átelo alrededor del lado superior derecho del marco intermedio antes de conectarlo al lanzador de nieve como se muestra en la página 41.

- Apague el interruptor de alimentación y desconecte el cable de alimentación antes de inspeccionar, dar servicio, reparar o limpiar el tope del lanzador de nieve por completo.
- No mueva ni transporte el lanzador de nieve cuando el enchufe esté conectado a la tomacorriente y el interruptor esté encendido.

## **Seguridad Personal**

- Manténgase alerta: observe lo que está haciendo y use el sentido común al operar el lanzador de nieve.
- No utilice la máquina si está cansado, enfermo o bajo la influencia de drogas, alcohol o medicamentos. Un momento de falta de atención puede provocar lesiones personales graves.
- Use ropa adecuada: usar botas de goma ofrece protección adicional contra descargas eléctricas. No use ropa holgada ni joyas que puedan quedar atrapadas en la máquina. Use un casco protector para mantener el cabello alejado de las partes giratorias de la máquina. Las gafas de seguridad ofrecen una mejor protección que las gafas de uso diario.
- Las piezas móviles presentan riesgos: mantenga la cara, el cabello, la ropa, las manos y los pies alejados de las piezas móviles. Todos los protectores y accesorios de seguridad deben instalarse correctamente antes de usar la unidad. Apague y desconecte el cable antes de tocar cualquier parte que no sean las manijas y el interruptor.
- Superficies: este lanzador de nieve está diseñada para usarse en superficies pavimentadas. No lo use sobre grava, piedra u otras superficies sin pavimentar a menos que el lanzador de nieve esté ajustada para tales superficies de acuerdo con las instrucciones dadas en el manual del operador.
- Evite el arranque accidental: asegúrese de que el interruptor esté en la posición de apagado antes de enchufar la
- Posición del cuerpo: mantenga una posición y equilibrio adecuados en todo momento. Coloque los talones firmemente en el suelo y agarre firmemente el manillar. Esté atento a las superficies irregulares y no se exceda. En caso de que se caiga o choque con el lanzador de nieve, inspeccione si la unidad está dañada. Al empujarse hacia atrás, tenga cuidado de evitar obstáculos debajo de sus pies o detrás de usted para evitar caerse.
- Uso y cuidado del lanzador de nieve
- Conozca su lanzador de nieve: familiarícese con las partes principales de su lanzador de nieve. Lea atentamente el manual del operador. Conozca las aplicaciones y limitaciones de su lanzador de nieve, así como los peligros potenciales específicos relacionados con esta máquina. No utilice esta máquina para ningún otro propósito que no sea para que fue diseñada. De lo contrario, puede provocar fallos mecánicos, daños graves o lesiones personales.
- Inspección preliminar de la unidad: inspeccione minuciosamente la unidad antes de usarla. Asegúrese de que todas las piezas estén seguras e instaladas correctamente. Si nota alguna anomalía, no utilice la máquina hasta que haya sido reparada correctamente. Realice siempre una prueba de funcionamiento la primera vez que utilice el lanzador de nieve o después de reemplazar piezas para asegurarse de que la unidad funcione correctamente.
- Inspección preliminar del área: despeje el área a arar antes de cada uso. Quite todos los objetos como piedras, vidrios rotos, clavos, alambres o cuerdas que puedan ser arrojados o enredados en el lanzador de nieve. Mantenga el área de operación libre de otras personas y mascotas.
- Fuerza excesiva: el lanzador de nieve fue diseñada para responder a un cierto ritmo en diversas condiciones de nieve para un rendimiento óptimo de la banda de seguridad. No lo fuerces; Mantenga la presión constante.
- Interruptor que no funciona correctamente: no utilice el soplador de nieve si el interruptor no lo enciende y apaga. Cualquier aparato eléctrico que no pueda controlarse con el interruptor no es seguro de usar y debe repararse.

- Golpear un objeto- si el lanzador de nieve golpea accidentalmente un objeto, deténgala. Inspeccione por daños; repare o reemplace cualquier pieza dañada antes de reiniciar y operar el lanzador de nieve.
- Seguridad del conducto de descarga: nunca dirija el conducto de descarga de nieve hacia el operador, los espectadores, los vehículos o las ventanas. La nieve arrojada y los objetos extraños recogidos accidentalmente por el lanzador de nieve pueden causar daños graves y lesiones personales. No utilice sus manos para desatascar el conducto de descarga. Detenga el motor antes de retirar los escombros.
- Funcionamiento anormal- si nota que el lanzador de nieve está funcionando en un estado inestable o escucha sonidos anormales de la máquina, detenga la máquina, desconecte la energía inmediatamente y comuníquese con su distribuidor original.
- Control de ruido- cuando utilice el lanzador de nieve, debe respetar las leyes y regulaciones locales con respecto al control de ruido y la protección del medio ambiente. Para evitar molestias por ruido, debe decidir cuidadosamente el tiempo de funcionamiento adecuado y considerar las condiciones del entorno.
- Cuando termine el trabajo - Desconecte el lanzador de nieve de la fuente de energía cuando no esté en uso, cuando cambie los accesorios y antes de realizar cualquier mantenimiento.
- Guarde la seguridad: guarde el lanzador de nieve en interiores en un área seca entre usos. Manténgase en un área cerrada con llave donde los niños y los usuarios no autorizados no puedan acceder. No guarde la máquina mientras aún esté conectada a la fuente de alimentación. Puede causar daños y lesiones.
- Mantenga por seguridad y longevidad: verifique que no haya desalineación o atascamiento de las partes móviles, rotura de partes y cualquier otra condición que pueda afectar el funcionamiento de la unidad. Si está dañado, repare o reemplace la pieza dañada antes de usarla. Utilice únicamente las piezas de repuesto fabricadas para su modelo. Al reemplazar cualquier pieza, debe observar estrictamente las instrucciones y procedimientos descritos en este manual. Se debe prestar especial atención a las piezas de goma, ya que estas piezas pueden aumentar la carga del motor y disminuir su potencia mecánica si se dañan.
- Posición del cuerpo: mantenga una posición y equilibrio adecuados en todo momento. Coloque los talones firmemente en el suelo y agarre firmemente el manillar. Esté atento a las superficies irregulares y no se exceda. En caso de que se caiga o choque con el lanzador de nieve, inspeccione si la unidad está dañada. Al empujarse hacia atrás, tenga cuidado de evitar obstáculos debajo de sus pies o detrás de usted para evitar caerse.
- Uso y cuidado del lanzador de nieve
- Conozca su lanzador de nieve: familiarícese con las partes principales de su lanzador de nieve. Lea atentamente el manual del operador. Conozca las aplicaciones y limitaciones de su lanzador de nieve, así como los peligros potenciales específicos relacionados con esta máquina. No utilice esta máquina para ningún otro propósito que no sea para que fue diseñada. De lo contrario, puede provocar fallos mecánicos, daños graves o lesiones personales.
- Inspección preliminar de la unidad: inspeccione minuciosamente la unidad antes de usarla. Asegúrese de que todas las piezas estén seguras e instaladas correctamente. Si nota alguna anomalía, no utilice la máquina hasta que haya sido reparada correctamente. Realice siempre una prueba de funcionamiento la primera vez que utilice el lanzador de nieve o después de reemplazar piezas para asegurarse de que la unidad funcione correctamente.
- Inspección preliminar del área: despeje el área a arar antes de cada uso. Quite todos los objetos como piedras, vidrios rotos, clavos, alambres o cuerdas que puedan ser arrojados o enredados en el lanzador de nieve. Mantenga el área de operación libre de otras personas y mascotas.
- Fuerza excesiva: el lanzador de nieve fue diseñada para responder a un cierto ritmo en diversas condiciones de nieve para un rendimiento óptimo de la banda de seguridad. No lo fuerces; Mantenga la presión constante.
- Interruptor que no funciona correctamente: no utilice el soplador de nieve si el interruptor no lo

enciende y apaga. Cualquier aparato eléctrico que no pueda controlarse con el interruptor no es seguro de usar y debe repararse.

- Golpear un objeto- si el lanzador de nieve golpea accidentalmente un objeto, deténgala. Inspeccione por daños; repare o reemplace cualquier pieza dañada antes de reiniciar y operar el lanzador de nieve.
- Seguridad del conducto de descarga: nunca dirija el conducto de descarga de nieve hacia el operador, los espectadores, los vehículos o las ventanas. La nieve arrojada y los objetos extraños recogidos accidentalmente por el lanzador de nieve pueden causar daños graves y lesiones personales. No utilice sus manos para desatascar el conducto de descarga. Detenga el motor antes de retirar los escombros.
- Funcionamiento anormal- si nota que el lanzador de nieve está funcionando en un estado inestable o escucha sonidos anormales de la máquina, detenga la máquina, desconecte la energía inmediatamente y comuníquese con su distribuidor original.
- Control de ruido- cuando utilice el lanzador de nieve, debe respetar las leyes y regulaciones locales con respecto al control de ruido y la protección del medio ambiente. Para evitar molestias por ruido, debe decidir cuidadosamente el tiempo de funcionamiento adecuado y considerar las condiciones del entorno.
- Cuando termine el trabajo - Desconecte el lanzador de nieve de la fuente de energía cuando no esté en uso, cuando cambie los accesorios y antes de realizar cualquier mantenimiento.
- Guarde la seguridad: guarde el lanzador de nieve en interiores en un área seca entre usos. Manténgase en un área cerrada con llave donde los niños y los usuarios no autorizados no puedan acceder. No guarde la máquina mientras aún esté conectada a la fuente de alimentación. Puede causar daños y lesiones.
- Mantenga por seguridad y longevidad: verifique que no haya desalineación o atascamiento de las partes móviles, rotura de partes y cualquier otra condición que pueda afectar el funcionamiento de la unidad. Si está dañado, repare o reemplace la pieza dañada antes de usarla. Utilice únicamente las piezas de repuesto fabricadas para su modelo. Al reemplazar cualquier pieza, debe observar estrictamente las instrucciones y procedimientos descritos en este manual. Se debe prestar especial atención a las piezas de goma, ya que estas piezas pueden aumentar la carga del motor y disminuir su potencia mecánica si se dañan.

# ETIQUETAS DE PRODUCTOS

ADVERTENCIA - Lea, comprenda y siga todas las etiquetas y marcas de seguridad de la unidad.

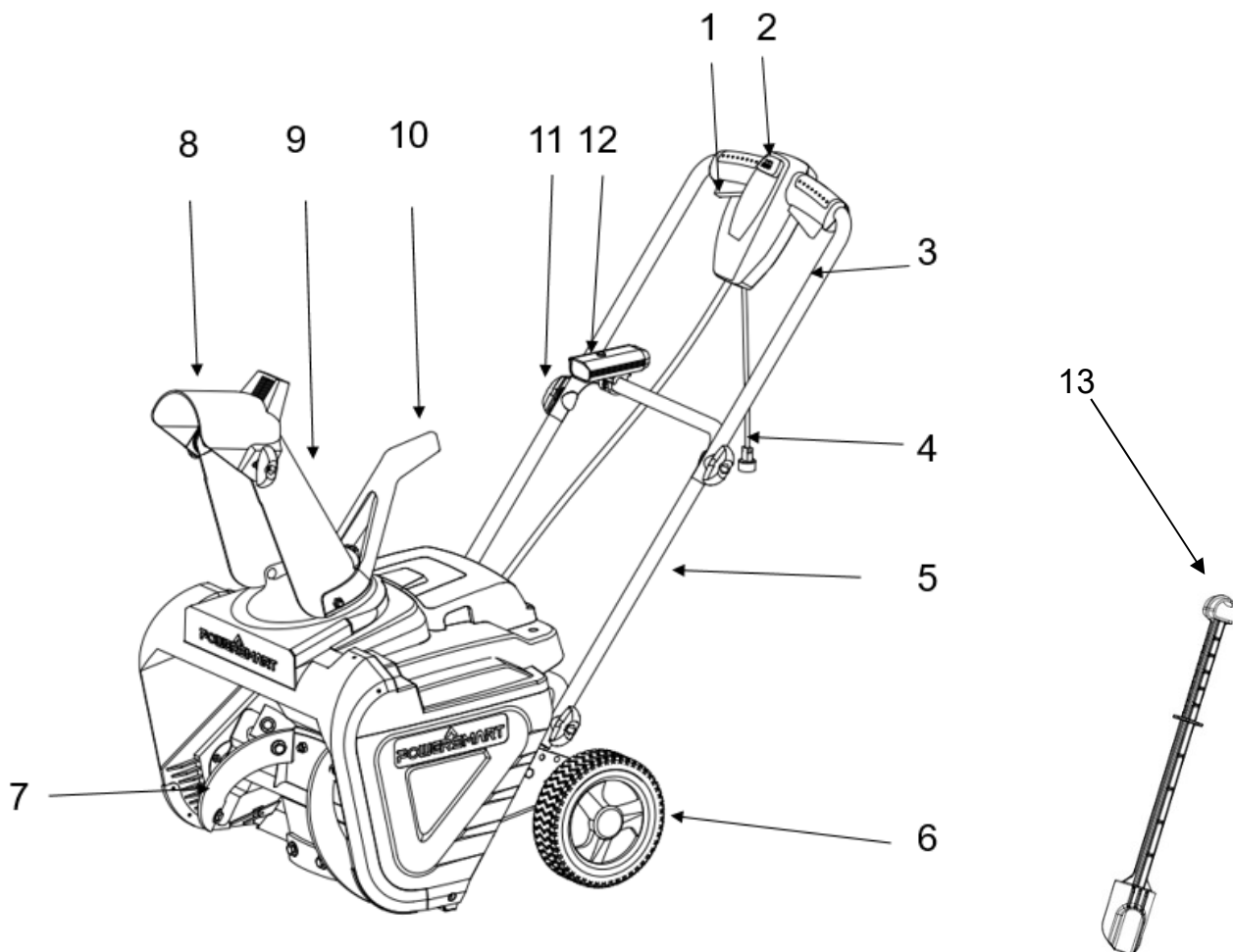


## PRECAUCIÓN

Inspeccione el cableado que, si se daña durante el envío, puede causar lesiones corporales graves durante el uso del equipo. Si observa o sospecha algún daño, no lo monte en su lugar, comuníquese con nuestro departamento de servicio al cliente al 1-872-314-0005.

Manipule con cuidado durante el montaje para que el cableado eléctrico no se dañe.

## CONOZCA SU SOPLADOR DE NIEVES



- |   |                    |    |                         |
|---|--------------------|----|-------------------------|
| 1 | Control de barrena | 7  | Barrena                 |
| 2 | Botón interruptor  | 8  | Deflector de conducto   |
| 3 | Tubo superior      | 9  | conducto                |
| 4 | Enchufe polarizado | 10 | Manivela de conducto    |
| 5 | Tubo inferior      | 11 | Perilla                 |
| 6 | Rueda              | 12 | Luz                     |
|   |                    | 13 | Herramienta de limpieza |



# **INSTRUCCIONES DE OPERACIÓN**

Nota: Antes de usar esta máquina, asegúrese de que la fuente de alimentación que usará cumpla con las especificaciones detalladas en este manual. Antes de insertar el enchufe en el tomacorriente, verifique que la barrena de lanzador de nieve y el raspador estén firmemente sujetos con tornillos. Realice una prueba de funcionamiento para asegurarse de que el rotor gire libremente.

## **ASEGURAR EL CABLE DE EXTENSIÓN**

1. Para un uso seguro y eficiente de su lanzador de nieve, use solo un cable de extensión con clasificación UL recomendado para uso en exteriores. Consulte la Tabla de Cables de Extensión a continuación.

### **⚠ ADVERTENCIA**

Las descargas eléctricas pueden causar LESIONES GRAVES o LA MUERTE. Preste atención a estas advertencias:

- No permita que ninguna parte del lanzador de nieve entre en contacto con el agua mientras está encendida. Si el aparato se moja mientras está apagado, séquelo antes de comenzar.
- Utilice únicamente un cable de extensión con clasificación UL para uso en exteriores y en cualquier clima. No use un cable de extensión de más de 150 pies de largo.
- No toque el aparato o su enchufe con las manos mojadas o mientras esté parado en el agua. Usar botas de goma ofrece cierta protección.

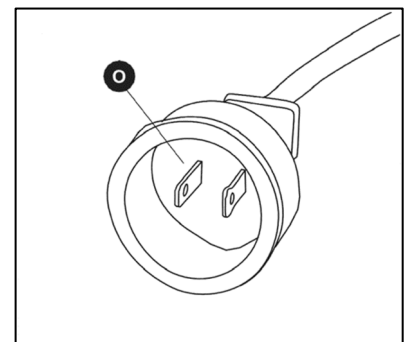
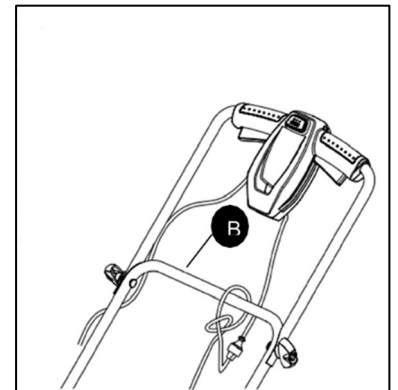
## **TABLA DE CABLES DE EXTENSIÓN**

Longitud del Cable	Hasta 100 pies	100-150 pies.
Calibre del Cable	14	12

2. Para evitar que el cable de extensión se desconecte durante el uso, ate el extremo hembra del cable de extensión con un nudo suelto en la parte superior derecha del marco intermedio (B) antes de conectarlo al enchufe macho en el enchufe del lanzador de nieve.

Nota: la cubierta protectora alrededor del enchufe polarizado es compatible con la mayoría de los cables de extensión. Al elegir un cable de extensión, asegúrese de que el extremo hembra de su cable encaje en el enchufe polarizado.

3. Tenga en cuenta que el lanzador de nieve tiene un enchufe macho polarizado (O), con una clavija en el enchufe un poco más larga y ancha que la otra. El extremo hembra del cable de extensión también debe estar polarizado, de modo que el cable de extensión encaje perfectamente en el enchufe.



### **⚠ ADVERTENCIA**

Los cables eléctricos dañados presentan riesgo de incendio, descargaléctrica y lesiones corporales graves.

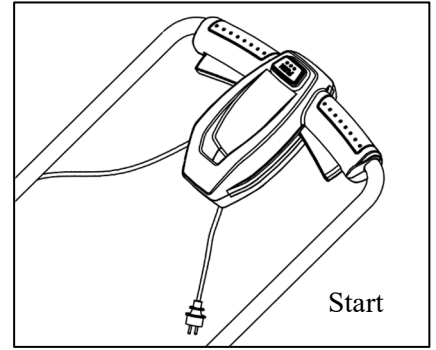
Antes de operar el lanzador de nieve, examine cuidadosamente el cable eléctrico. Si el cable está dañado,

no utilice el lanzador de nieve. Reemplace o repare el cable dañado inmediatamente. Si necesita ayuda, comuníquese con nuestro departamento de servicio al cliente al 1-872-314-0005.

### ENCENDIDO Y APAGADO

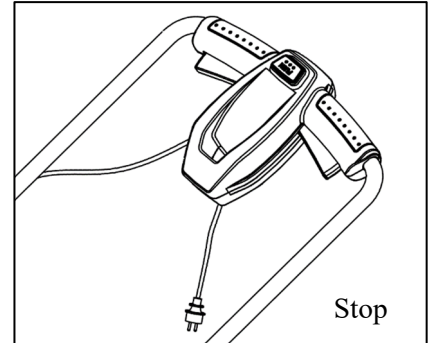
1. Conecte el cable de extensión al enchufe macho del lanzador de nieve y luego conecte el cable de extensión a la fuente de alimentación AC adecuada.

2. Mantenga presionado el botón del interruptor.



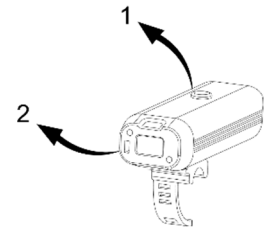
3. Para comenzar, mientras mantenga presionado el botón del interruptor, tire del manillar hacia usted hasta que toque el mango. El botón del interruptor se debe presionar y mantener presionado antes de tirar de la manija. Una vez que el lanzador de nieve se enciende, suelte el botón del interruptor.

4. Para detener, suelte el botón del interruptor.



### USANDO LA LUZ

1. Pulse el botón 1 para controlar la luz. La luz alta se presiona una vez, la luz baja se presiona dos veces, el flash se presiona tres veces. Presione 4 veces para apagar la luz.
2. 2 es el puerto de carga, el interruptor de la lámpara muestra rojo cuando se carga, y el interruptor de la lámpara es verde cuando se carga completamente.



### MOVER LA MÁQUINA Y ARAR LA NIEVE

#### ADVERTENCIA

Objetos extraños, como piedras, vidrios rotos, clavos, alambres o cuerdas, pueden ser recogidos y arrojados por el lanzador de nieve, causando lesiones personales graves.

Retire todos los objetos extraños del área que se va a arar antes de operar el lanzador de nieve.

- Mantenga el área de operación libre de objetos extraños que puedan ser arrojados por las palas del rotor.
- Realice una inspección minuciosa del área ya que algunos objetos pueden estar ocultos a la vista por la nieve circundante. Si el lanzador de nieve golpea una obstrucción o recoge un objeto extraño durante el uso, detenga el lanzador de nieve, desconecte el cable de extensión, retire la obstrucción, e inspeccione la unidad en busca de daños.
- Repare o reemplace cualquier pieza dañada antes de reiniciar y operar la unidad.
- Mantenga a los niños, mascotas y espectadores alejados del área de operación. Tenga en cuenta que el ruido normal de la máquina cuando está encendida puede dificultarle escuchar a las personas que se acercan.

- Cuando mueva el lanzador de nieve, use las ruedas de los lados como punto de pivote. Incline ligeramente el lanzador de nieve sobre este punto de pivote para moverla hacia adelante o hacia atrás.
- Empiece a limpiar el camino cerca del tomacorriente y trabaje hacia afuera, arrojando nieve en un movimiento hacia adelante y hacia atrás. Para despejar en la dirección opuesta, deténgase sobre el cable y gire el lanzador de nieve sobre sus ruedas. Asegúrese de superponer los caminos de limpieza.
- Note la dirección del viento. Si es posible, muévase en la misma dirección que el viento para que la nieve no sea lanzada contral viento (y por lo tanto, de vuelta a su cara y al parche).
- Mientras mueve el lanzador de nieve, no arrastre el cable de alimentación de forma violenta o brusca. El lanzador de nieve debe moverse dentro del rango que pueda alcanzar el cable.
- No empuje el lanzador de nieve con demasiada fuerza. Debe empujar la máquina suave y uniformemente de acuerdo con la velocidad de proyección de las unidades.
- Algunas partes del lanzador de nieve pueden congelarse bajo condiciones extremas de temperatura. No intente operar el lanzador de nieve con partes congeladas. Si las piezas se congelan mientras se usa el lanzador de nieve, deténgala, desenchufe el cable de extensión e inspeccione si hay piezas congeladas. Libere todas las piezas antes de utilizar el lanzador de nieve. Nunca fuerce los controles que se hayan congelado.
- Trabajar en guijarros, gravas o superficies sin pavimentar -para evitar arrojar material suelto en la superficie junto con la nieve, empuje hacia abajo el raspador en la base de la unidad sobre los guijarros o las gravas.

## CAMBIAR LA DIRECCIÓN Y LA ALTURA DEL LANZAMIENTO

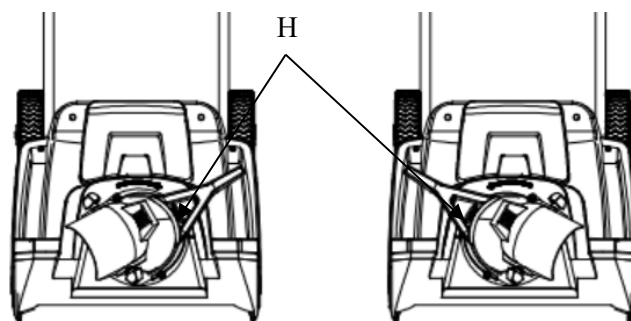


### ADVERTENCIA

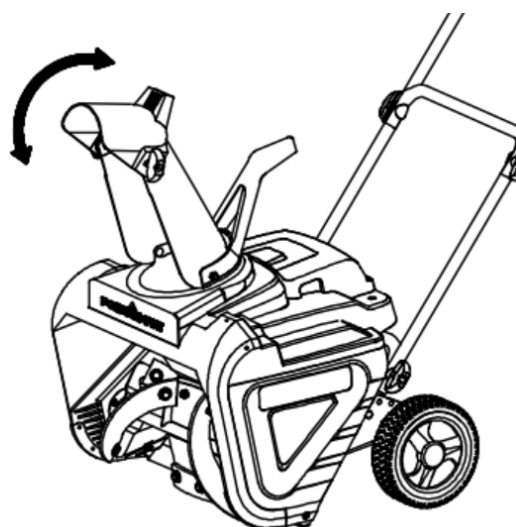
Nunca dirija el conducto de descarga de nieve hacia el operador, espectadores, vehículos o ventanas cercanas. La descarga de nieve y objetos extraños recogidos accidentalmente por el lanzador de nieve puede causar daños graves y lesiones personales.

Oriente siempre el conducto de descarga en la dirección opuesta a donde usted, los espectadores, los vehículos circundantes o las ventanas se encuentran.

1. El conducto de descarga (H) se puede ajustar 180 grados girando la manivela del conducto. Gire la manivela de control de la rampa en el sentido de las agujas del reloj para mover la rampa de descarga (H) hacia la izquierda, y en sentido antihorario para mover la rampa hacia la derecha.



2. El deflector de conducto en la parte superior de conducto de descarga (H) controla la altura del chorro de nieve. Afloje ambas perillas del deflector de conducto para subir o bajar el deflector a la altura deseada a la que desea lanzar la nieve. Apriete las perillas para asegurar el deflector.



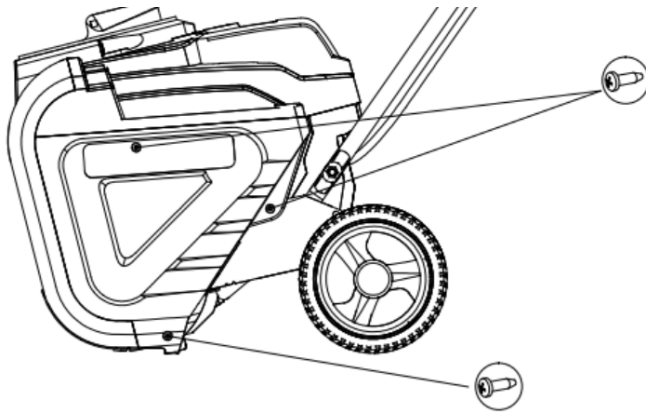
Nota: No apriete demasiado las perillas del deflector del conducto.

## REEMPLAZO DE LA CORREA DE TRANSMISIÓN

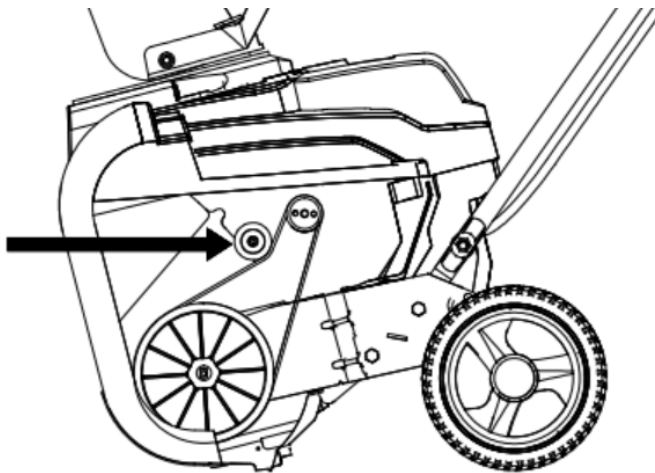
**ADVERTENCIA** Peligro de enredo: antes de realizar cualquier procedimiento de servicio, asegúrese de que el lanzador de nieve esté desconectada de la fuente de alimentación.

Nota: Registre la posición de los componentes antes del desmontaje, para facilitar el montaje.

1. Con un destornillador, retire los 3 tornillos que sujetan la cubierta de la correa a la carcasa.



2. Empuje manualmente la polea tensora de la correa hacia arriba para reducir la tensión de la correa.



Nota: Al reemplazar la correa, es importante determinar la causa de la falla (si corresponde) y tomar medidas correctivas para evitar fallas repetidas.

3. Inspeccione si la correa vieja, las poleas y el resorte de tensión están dañados y desgastados antes de instalar una correa nueva, reemplace las piezas según sea necesario.

4. Inspeccione la correa nueva para asegurarse de que sea del tamaño y tipo correctos.

Original - Número de pieza: 3PK695

5. Empuje manualmente la polea de tensión de la correa para permitir la instalación de la correa nueva.

6. Coloque la correa sobre la polea motriz pequeña, luego, mientras sostiene la polea tensora de la correa lejos de la correa, enrolle con cuidado la correa en la polea grande. No dañe la correa nueva durante la instalación.

7. Con un destornillador, instale los 3 tornillos que sujetan la cubierta de la correa a la carcasa.

# **MANTENIMIENTO**

## **ADVERTENCIA**

Asegúrese de apagar el interruptor y desconectar el cable de extensión antes de realizar cualquier tarea de mantenimiento en su lanzador de nieve.

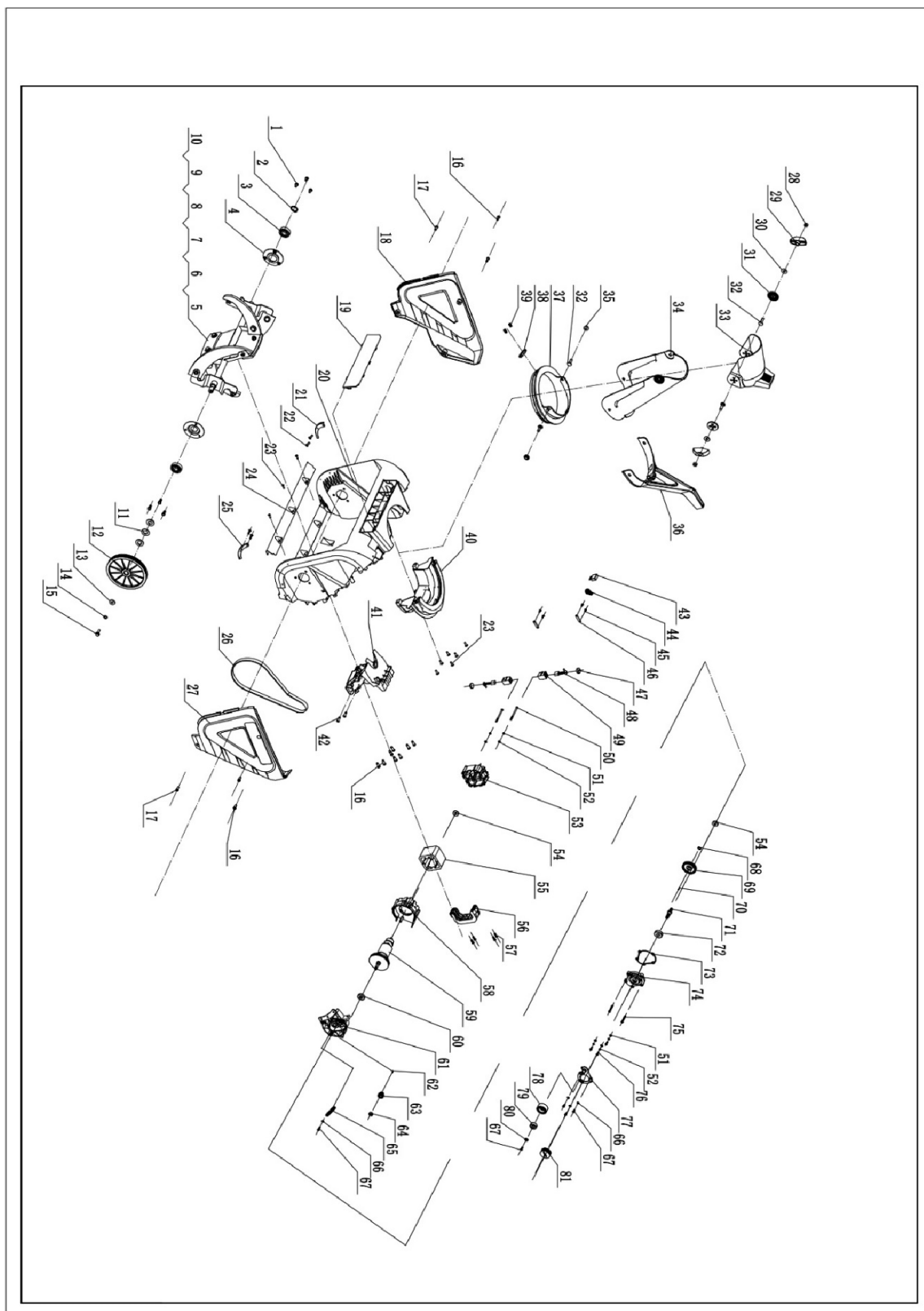
- Haga funcionar el lanzador de nieve durante unos minutos para derretir la nieve en el lanzador de nieve. Apague el lanzador de nieve.
- Desconecte el cable de extensión del lanzador de nieve.
- Examine el cable de extensión a fondo para detectar signos de desgaste o daño. Reemplácelo si está desgastado o dañado.
- Examine el lanzador de nieve a fondo para ver si hay pernos desgastados, sueltos o piezas dañadas. Para reparar o reemplazar piezas, comuníquese con el servicio al cliente.
- Guarde el cable de extensión con la lanzador de nieve.
- Guarde la unidad en un lugar seco y bajo llave o alto y seco para evitar el uso/daño no autorizado y manténgala fuera del alcance de los niños. Guarde el manual de instrucciones junto con la unidad para uso futuro.

## **SOLUCIÓN DE PROBLEMAS**

<b>Problema</b>	<b>Posibles Causas</b>	<b>Remedio</b>	
<b>ADVERTENCIA:</b> antes de intentar realizar inspecciones, reparaciones o ajustes, detenga el lanzador de nieve, espere a que todas las piezas móviles dejen de moverse y desconecte con cuidado el cable de extensión AC de la fuente de alimentación.			
Sin condición de arranque, no se enciende	1	No hay energía de la fuente de alimentación AC	Conéctese a una buena fuente de alimentación AC conocida
	2	Cable de extensión no conectado	Conecte de forma segura cable de extensión a la fuente de alimentación y al lanzador de nieve
	3	Cable de extensión defectuoso	Conecte un cable de extensión en buen estado
	4	Procedimiento de arranque inadecuado	Revise el procedimiento "Encendido y apagado" de este manual.
	5	Sinfin dañado o bloqueado	Revise el sinfin en busca de daños, obstrucciones o condición congelada, repare según sea necesario
	6	Interruptor, cableado o motor defectuoso	Llame al servicio al cliente o comuníquese con el centro de servicio
Se enciende, pero no sopla nieve	1	Sinfin dañado o bloqueado	Verifique el sinfin en busca de daños, obstrucciones o condición congelada, repare según sea necesario
	2	Conducto bloqueado o dañado	Verifique el conducto en busca de daños o bloqueos, repare según sea necesario
	3	Correa de transmisión dañada o suelta	Verifique el estado de la correa de transmisión, repare según sea necesario (la correa de transmisión está ubicada en el lado izquierdo detrás de la cubierta)
Se enciende, pero no funciona a toda velocidad	1	Cable de extensión defectuoso	Conecte un cable de extensión en buen estado
	2	Cable de extensión inadecuado	Verifique la longitud y el calibre del cable de extensión para su uso en la aplicación adecuada, consulte la "Tabla de cables de extensión" en este manual
	3	Sinfin dañado o bloqueado	Revise el sinfin en busca de daños, obstrucciones o congelación, repare según sea necesario
	4	Correa de transmisión dañada o suelta	Verifique el estado de la correa de transmisión, repare según sea necesario (la correa de transmisión está ubicada en el lado izquierdo detrás de la cubierta)
	5	Cable o motor defectuoso	Llame al servicio al cliente o comuníquese con el centro de servicio

# VISTA EXPLOSIONADA Y LISTA DE PIEZAS

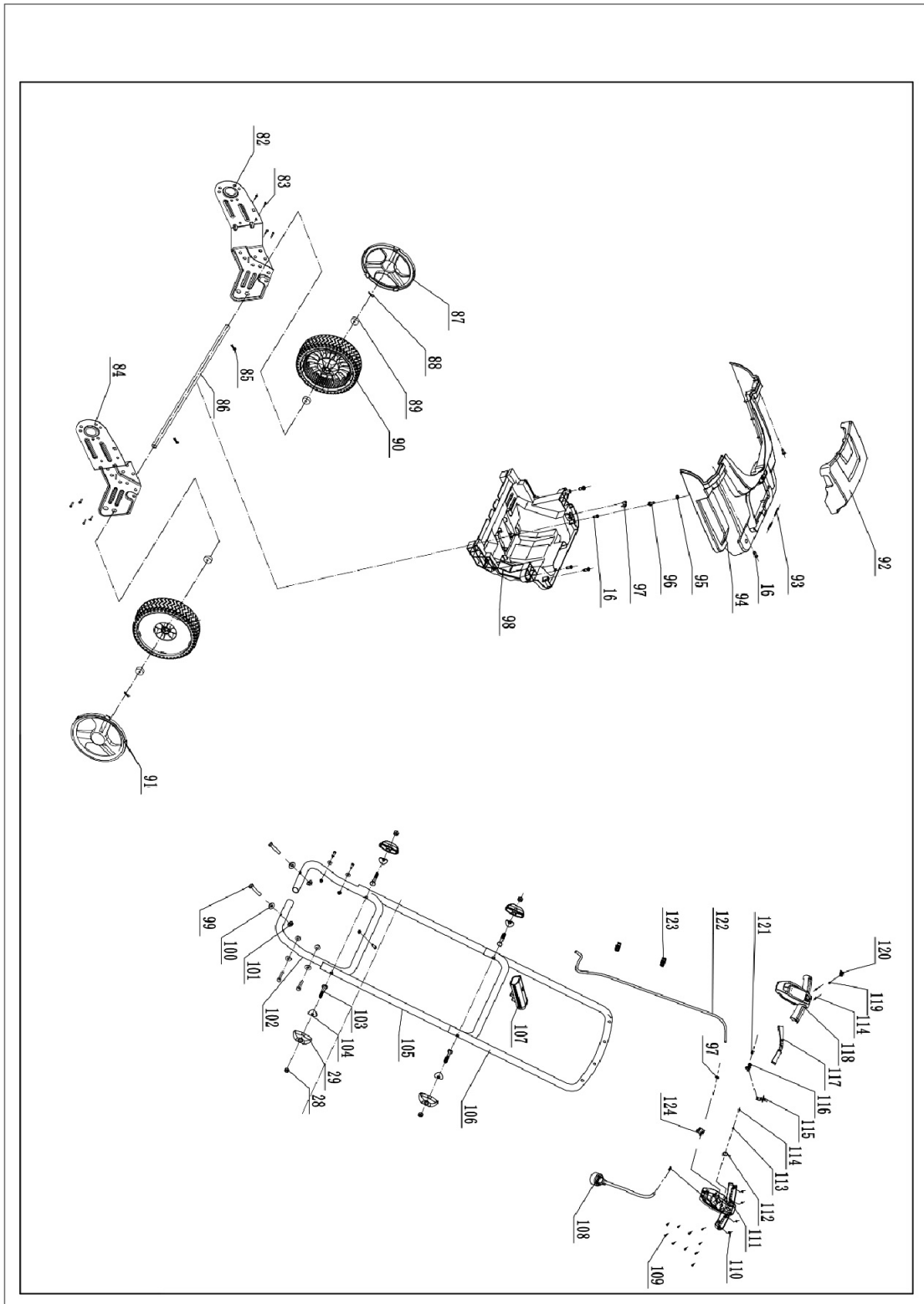
## Montaje de los sinfines



ITEM	SKU#	DESCRIPCIÓN	QTY
1	303020561	perno hexagonal M6*16	6
2	303050066	anillo del eje Φ17	1
3	303100034	rodamiento de bolas 6203Z	2
4	303070797	platina de rodamiento soldada	2
5	303020106	perno hexagonal M8*20	12
6	303042013	arandela plana	12
7	303030036	tuerca de seguridad M8	12
8	302110091	rascador corto	2
9	302110092	rascador largo	4
10	303181282	eje sinfín soldado	1
11	303042018	arandela plana Φ18*Φ24*2	3
12	203010646	polea de correa	1
13	303042009	arandela plana	1
14	303041009	arandela de presión φ6	1
15	303020282	perno hexagonal	1
16	303010176	tornillo ST6.3×16	2
17	303010383	tornillo ST4.8*10	1
18	203050655	cubierta lateral derecha	1
19	203010747	placa LOGO	1
20	203050170A	base	1
21	303070739	esquina derecha	1
22	303010284	tornillo ST4.8×12	4
23	303010108	tornillo ST4.8*16	3
24	303070741A	Pala	1
25	303070738	esquina izquierda	1
26	302040090	correa 3PK695	1
27	203050654	cubierta lateral izquierda	1
17	303010383	tornillo ST4.8*10	1
16	303010176	tornillo ST6.3×16	2
28	303030066	tuerca normal	2
29	203020336A	pomo	2
30	303042023	arandela plana	2
31	203020380	almohadilla dentada M8*25	2
32	303020161	perno	4
33	203050174	vertedero superior	1
34	203050175	vertedero central	1
35	303030077	tuerca de seguridad M8	2
36	203010648	manija del vertedero	1
37	203050172	disco giratorio	1
38	203010647	bloque localizado	1
39	303130138	resorte de presión del vertedero	2
40	203050171	parte de la base	1
41	203050567	sujeción del motor	1
42	303010358	tornillo ST4.2×14	2
16	303010176	tornillo ST6.3×16	8
23	303010108	tornillo ST4.8*16	6

ITEM	SKU#	DESCRIPCIÓN	QTY
43	301080009	protector de sobrecorriente	1
44	306010037	tapa de engarce de tornillo	1
45	303010203	tornillo 3*10	4
46	303070074	soporte de escobilla	2
47	301110043	tapa de escobilla	2
48	301110058	carbón eléctrico	2
49	301110044	componente de escobilla	2
50	303010162	tornillo ST4×70	2
51	303041008	arandela de presión	2
52	303042038	arandela plana	2
53	203020050	soporte del motor trasero	1
54	303100023	rodamiento de bolas 608Z	1
55	301030008	estator	1
56	203050587	soporte del motor	1
57	303010185	tornillo ST6.3*30	4
58	203020063	sujeción delantera del motor	1
59	301030005A	rotor	1
60	303100030	rodamiento de bolas 6001Z	1
61	303090005	cubierta central	1
62	303110021	chaveta de madera	1
63	203060019	engranaje pequeño	1
64	303030047	tuerca M8-	1
65	303130019	tensor de muelle	1
66	303042019	tuerca plana	1
67	303020077	perno M4*10	1
54	303100023	rodamiento de bolas 608Z	1
68	303050029	anillo del eje	1
69	303160004	engranaje grande	1
70	303110020	chaveta de madera	1
71	303160111	eje de salida	1
72	303100024	cojinete de bolas 6201Z	1
73	303070029	almohadilla de aceite	1
74	303090002	cubierta del extremo	1
75	303010221	tornillo ST4×40	2
51	303041008	arandela de presión	3
52	303042038	arandela plana	3
76	303020079	perno M4*14	3
77	303180588	soldadura del soporte de la rueda tensora	1
66	303042019	tuerca plana	3
67	303020077	perno M4*10	3
78	203020077	rueda tensora	1
79	303100016	rodamiento de bolas 6000RS	1
80	303042035	arandela plana	1
67	303020077	perno M4*10	1
81	303160957	polea pequeña	1

# Grupo de expertos





ITEM	SKU#	DESCRIPCIÓN	QTY
82	303071480	placa de soporte derecha	1
83	303010353	tornillo de ST6.3x16	8
84	303071479	placa de soporte izquierda	1
85	303160845	aguja de mariposa	2
86	303181283A	eje	1
87	203021421	tapa de rueda derecha	1
88	303121002	aguja de chaveta	2
89	303100065	eje de rueda	4
90	203050544	rueda de 8 pulgadas	2
91	203050658	tapa de rueda izquierda	1
92	203050662	tapa de batería	1
93	303100086	eje de tapa	2
16	303010176	tornillo ST6.3×16	2
94	203050656	tapa superior	1
95	303042019	junta plana	1
96	303010363	tornillo de ST4.2*10	1
97	203020047	pinza de cables	1
16	303010176	tornillo ST6.3×16	4
98	203050657	tapa inferior	1
99	303020124	perno hexagonal	7
100	303042013	junta plana	6
101	303030077	tuerca de seguridad de M8	7
102	303081214	mango inferior	1
103	303020057	T-tornillo de M8×45	4
104	303043010	junta cóncava	4

ITEM	SKU#	DESCRIPCIÓN	QTY
29	203020336A	pomo	4
28	303030066	tuerca normal	4
105	303081213	mango medio	1
106	303081212	mango superior	1
107	301120014	luz	1
108	301040045	cable de alimentación	1
109	303010028	tornillo de 4*18	10
110	302070001	anillo de cerrado	4
111	203050660	caja de interruptores inferior	1
112	303130013	muelle de botón	1
113	303042019	junta plana	1
114	303010313	tornillo de 4×12	1
115	203021102A	botón de interruptor	1
116	203010655	asta de control	1
117	203021101A	biestable de interruptor derecho	2
118	203050552	caja de interruptores superior	1
114	303010313	tornillo de 4×12	2
119	303130125	muelle del botón anti-autobloqueo	1
120	203010656	botón anti-autobloqueo	1
121	303130124	muelle	1
122	301040078A	línea de conexión	1
123	203050519	clip de alambres	2
97	203020047	pinza de cables	2
124	301100046	interruptor	1

## **GARANTÍA LIMITADA DE DOS (2) AÑOS**

POWERSMART SE COMPROMETE A CREAR HERRAMIENTAS QUE SEAN FIABLES DURANTE AÑOS. NUESTRAS GARANTÍAS SON CONSISTENTES CON NUESTRO COMPROMISO Y DEDICACIÓN A LA CALIDAD.

GARANTÍA LIMITADA DE DOS (2) AÑOS DE PRODUCTOS POWER SMART PARA USO DOMÉSTICO.

POWERSMART ("VENDEDOR") GARANTIZA AL COMPRADOR ORIGINAL ÚNICAMENTE QUE TODAS LAS HERRAMIENTAS ELÉCTRICAS DE CONSUMO POWERSMART ESTARÁ LIBRE DE DEFECTOS DE MATERIAL O MANO DE OBRA DURANTE UN PERÍODO DE DOS (2) AÑOS A PARTIR DE LA FECHA DE COMPRA. NOVENTA (90) DÍAS PARA TODAS LAS POWERSMART PRODUCTOS, SI LA HERRAMIENTA SE UTILIZA PARA USO PROFESIONAL O COMERCIAL.

LA ÚNICA OBLIGACIÓN DEL VENDEDOR Y SU RECURSO EXCLUSIVO EN VIRTUD DE ESTA GARANTÍA LIMITADA DE DOS (2) AÑOS Y, EN LA MEDIDA EN QUE LO PERMITA LA LEY, CUALQUIER GARANTÍA O CONDICIÓN IMPLÍCITA POR LEY, SERÁ LA REPARACIÓN O REEMPLAZO DE PIEZAS, SIN CARGO, QUE TENGAN DEFECTOS DE MATERIAL. O MANO DE OBRA Y QUE NO HAYAN SIDO MAL UTILIZADOS, MANIPULADOS DESCUIDADAMENTE O MAL REPARADOS POR PERSONAS QUE NO SEAN EL VENDEDOR O EL CENTRO DE SERVICIO AUTORIZADO. PARA REALIZAR UNA RECLAMACIÓN EN VIRTUD DE ESTA GARANTÍA LIMITADA, DEBE DEVOLVER LA HERRAMIENTA ELÉCTRICA COMPLETA; TRANSPORTE PREPAGADO, A POWERSMART INCLUYA UNA COPIA LEGIBLE DEL RECIBO ORIGINAL, QUE INDICA LA FECHA DE COMPRA (MES Y AÑO) Y EL NOMBRE DE LA EMPRESA A LA QUE SE COMPRÓ.

ESTA GARANTÍA LIMITADA NO SE APLICA A NINGÚN ACCESORIO INCLUIDO CON LA HERRAMIENTA, COMO LAS HOJAS DE SIERRA CIRCULAR, OTROS ARTÍCULOS RELACIONADOS O A CUALQUIER PIEZA DE REPUESTO QUE SE LISTEN BAJO MANTENIMIENTO.

CUALQUIER GARANTÍA IMPLÍCITA SERÁ LIMITADA EN DURACIÓN A DOS (2) AÑOS A PARTIR DE LA FECHA DE COMPRA. ALGUNOS ESTADOS DE EE. UU. Y ALGUNAS PROVINCIAS CANADIENSES NO PERMITEN LIMITACIONES SOBRE LA DURACIÓN DE UNA GARANTÍA IMPLÍCITA, POR LO QUE ES POSIBLE QUE LA LIMITACIÓN ANTERIOR NO SE APLIQUE EN SU CASO.

EN NINGÚN CASO EL VENDEDOR SERÁ RESPONSABLE DE NINGÚN DAÑO INCIDENTAL O CONSECUENTE (INCLUYENDO, PERO NO LIMITADO A LA RESPONSABILIDAD POR PÉRDIDA DE BENEFICIOS) QUE SURJAN DE LA VENTA O USO DE ESTE PRODUCTO. ALGUNOS ESTADOS DE EE. UU. Y ALGUNAS PROVINCIAS CANADIENSES NO PERMITEN LA EXCLUSIÓN O LIMITACIÓN DE DAÑOS INCIDENTALES O CONSECUENTES, POR LO QUE LA LIMITACIÓN O EXCLUSIÓN ANTERIOR PUEDE NO APLICARSE EN SU CASO.

ESTA GARANTÍA LIMITADA LE OTORGA DERECHOS LEGALES ESPECÍFICOS Y TAMBIÉN PUEDE TENER OTROS DERECHOS QUE VARÍAN DE ESTADO A ESTADO EN LOS EE. UU., DE PROVINCIA A PROVINCIA DE CANADÁ Y DE PAÍS A PAÍS.

SI TIENE PREGUNTAS / COMENTARIOS, ASISTENCIA TÉCNICA O REPUESTOS, LLAME GRATIS AL: 1-872-314-0005 (LUNES A VIERNES DE 9 A. M. A 5 P. M. EST) E-MAIL: [SUPPORT@AMERISUNINC.COM](mailto:SUPPORT@AMERISUNINC.COM)

GUARDE SUS RECIBOS. ESTA GARANTÍA SE ANULA SIN ELLOS.