



POWERSMART[®]

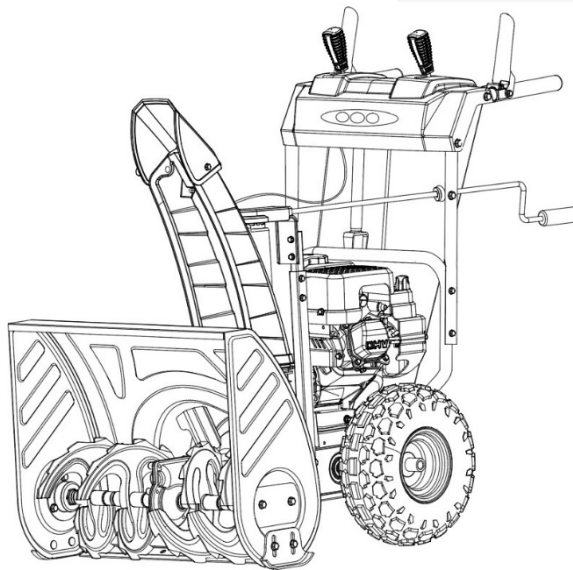
INSTRUCTION MANUAL

EN 26 inch Two Stage Gas Snow Thrower

FR 26 inch Souffleuse à Neige à Deux Phase

ES Quintanieves De Gas De 26 Pulgadas Con Dos Etapas

Model#DB7109B



Have product questions or need technical support? Please feel free to contact us!

Website: www.powersmartusa.com

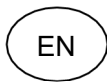
Toll free: 1-800-791-9458 (Mon-Fri 9-5 EST)

Email: support@amerisuninc.com
support@powersmartusa.com



Website

TABLE OF CONTENTS



Technical data 3
Introduction..... 4
Safety information 4
Knowing your snow thrower 8
Snow thrower preparation..... 10
Operating your snow thrower 12
Maintenance..... 14
Troubleshooting 16
Exploded view and parts list..... 17
Two (2) years limited warranty 25

TECHNICAL DATA

26 inch Two Stage Electric Start Snow Thrower

Model #:	DB7109B
Engine:	212cc Snow Engine
Engine oil Capacity:	20.29 fl.oz
Fuel Tank Capacity:	0.5 Gallon
Start System:	120V Electric / Recoil
Clearing Width:	26 in.
Clearing Height:	20 in.
Chute Rotation Angle:	180°
Speed:	6 Forward, 2 Reverse
Tire Size:	13 in.
Overall Dimensions:	31.1x26.3x22in.
Weight:	142 lbs

Thank you for purchasing PowerSmart products.

It is crucial and highly recommended that you read this instruction manual in its' entirety, as this is an invaluable tool and reference point in understanding the operation of your unit.

Please register your unit online at www.Amerisuninc.com. This process will allow us to track your warranty information and update our records regarding your unit accordingly.

Important: Our company does not provide email or personal information to any third party for any reason. For any questions check our website or call customer service at (800)791 9458.

INTRODUCTION

Thank you for purchasing a PowerSmart® Product. This manual provides detailed information regarding the safe operation and maintenance of this product. Every effort has been made to ensure the accuracy of the information in this document. PowerSmart® reserves the right to change this product and specifications at any time without prior notice.

Please keep this manual available to all users during the entire life of the product.



This manual contains special messages to bring attention to potential safety concerns, product damage as well as helpful operating and servicing information. Please read all the information carefully to avoid injury and machine damage.

QUESTIONS? PROBLEMS?

To answer questions and resolve issues in the most efficient and timely manner, please contact Customer Service at (800) 791-9458, Mon-Fri 9am-5pm EST or email: support@amerisuninc.com.

NOTICE REGARDING EMISSIONS

Engines that are certified to comply with U.S. EPA emission regulations for SORE (Small Off Road Equipment), are certified to operate on regular unleaded gasoline, and may include the following emission control systems: (EM) Engine Modifications and (TWC) Three-Way Catalyst (if so equipped).

SAFETY INFORMATION



This symbol points out important safety instructions which, if not followed, could endanger the personal safety and or property of yourself and others. Read and follow all instructions in this manual before attempting to operate this machine. Failure to comply with these instructions may result in personal injury.



WARNING! This machine was built to be operated according to the safe operation practices in this manual. As with any type of power equipment, carelessness or error on the part of the operator can result in serious injury. This machine is capable of amputating fingers, hands, toes and feet and throwing foreign objects. Failure to observe the following safety instructions could result in serious injury or even a fatal occurrence.

It is your responsibility to restrict the use of this power machine to persons who read, understand and follow the warnings and instructions in this manual and on the machine.



ROTATING PARTS! Only use clean-out tool to clear blockages. **NEVER** use your hands.



NEVER direct discharge towards persons or property that may be injured or damaged by thrown objects.



Keep people away from unit while operating. Keep children out of work area and under watchful care of a responsible adult.

TRAINING

Read, understand, and follow all instructions on the machine and in the manual(s) before attempting to assemble and operate. Keep this manual in a safe place for future and regular reference.

- Be familiar with all controls and their proper operation. Know how to stop the machine and disengage them quickly.
- Never allow children under 14 years of age to operate this machine. Children 14 and over should read and understand the instructions and safe operation practices in this manual and on the machine and be trained and supervised by an adult.
- Never allow “non-trained” adult personnel to operate this machine without proper instruction.
- Thrown objects can cause serious personal injury. Plan and map out your snow-throwing pattern to avoid discharge of material toward roads, bystanders and the like.
- Keep bystanders, pets and children at least 75 feet from the machine while it is in operation. Stop machine if anyone enters the area.
- Exercise caution to avoid slipping or falling, especially when operating in reverse.

PREPARATION

Thoroughly inspect the area where the equipment is to be used. Remove all doormats, newspapers, sleds, boards, wires, branches and other foreign objects, which could be hazardous and damage the auger system.

- Always wear safety glasses or eye shields during operation and while performing an adjustment or repair to protect your eyes, as thrown objects can ricochet and cause serious injury to the eyes.
- Do not operate without wearing adequate, winter outer garments. Do not wear jewelry, long scarves or other loose clothing, which could become entangled in moving parts, and wear footwear that will improve footing on slippery surfaces.
- Use a grounded “three-wire” extension cord and receptacle for all machines with electric start engines.
- Adjust skid shoe and/or housing height to clear gravel or crushed rock surfaces.
- Disengage all control levers before starting the engine.
- Never attempt to make any adjustments while engine is running, except where specifically recommended in the instruction manual.
- Let engine and machine adjust to outdoor temperature before starting to clear snow.

PERSONAL SAFETY

- Engine exhaust, and certain vehicle components contain or emit chemicals known to cause cancer, birth defects or other reproductive harm.
- Read, understand and follow all instructions on your snow thrower unit and in this instruction manual before attempting to assemble and operate your machine.
- Keep this instruction manual in a safe place for future and regular reference. If replacement parts are needed, refer to the Panel, Chute, Frame and Housing Diagrams and Parts’ Listings on pages 25-30.
- Stay alert, watch what you are doing and use common sense when operating your snow thrower unit.
- Do not use your snow thrower unit while you are tired or under the influence of drugs, alcohol, medication. A moment of inattention while operating the snow thrower may result in severe bodily injury.
- **NEVER LEAVE YOUR RUNNING SNOW THROWER UNATTENDED. Stop the engine!**
- Do not leave your snow thrower unit until it has come to a complete stop.
- When stepping backwards, be cautious about any obstacles beneath your feet or behind you avoid falling.

SERVICE

- Stop the engine before making any adjustments. Check for misalignment, breakage or binding of moving parts, and any other conditions that may affect operation.
- If damaged, have the snow thrower unit serviced by an authorized service center using only specified, manufactured replacement parts. This will ensure that the safety of the snow thrower unit is maintained.

SAFE HANDLING OF GASOLINE

To avoid personal injury or property damage use extreme care in handling gasoline. Gasoline is extremely flammable and the vapors are explosive. Serious personal injury can occur when gasoline is spilled on yourself or your clothes which can ignite, therefore wash your skin and change clothes immediately.

- Use only an approved gasoline container.
- Extinguish all cigarettes, cigars, pipes and other sources of ignition.
- Never fuel snow thrower unit's engine indoors.
- Never remove gas cap or add fuel while the engine is hot or running.
- Allow engine to cool at least two minutes before refueling.
- Never over fill fuel tank.
- Replace gasoline cap and tighten securely.
- If gasoline is spilled, wipe it off the engine and equipment. Move machine to another area. Wait 5 minutes before starting the engine.
- Never store the machine or fuel container inside where there is an open flame, spark or pilot light (e.g. furnace, water heats, space heater, clothes dryer etc.).
- Allow machine to cool at least 5 minutes before storing.
- Never fill containers inside a vehicle or on a truck or trailer bed with a plastic liner. Always place containers on the ground away from your vehicle before filling.
- If possible, remove gas-powered equipment from the truck or trailer and refuel it on the ground.
- If this is not possible, then refuel such equipment on a trailer with a portable container, rather than from a gasoline dispenser nozzle.
- Keep the nozzle in contact with the rim of the fuel tank or container opening at all times until fueling is complete. Do not use a nozzle lock open device.

OPERATION

- Do not put hands or feet near rotating parts, in the auger impeller housing or chute assembly. Contact with the rotating parts can amputate hands and feet.
 - The auger (impeller) control lever is a safety device. Never bypass its operation. Doing so makes the machine unsafe and may cause personal injury.
 - The control levers must operate easily in both directions and automatically return to the disengaged (vertical) position when released.
 - Never operate with a missing or damaged chute assembly. Keep all safety devices in place and working.
 - Never run an engine indoors or in a poorly ventilated area. Engine exhaust contains carbon monoxide, an odorless and deadly gas.
 - Do not operate machine while under the influence of alcohol or drugs.
 - Muffler and engine become hot and can cause burning. Do not touch. Keep children away.
 - Exercise extreme caution when operating on or crossing gravel surfaces. Stay alert for hidden hazards or traffic.
 - Exercise caution when changing direction and while operating on slopes.
 - Plan your snow-throwing pattern to avoid snow discharge towards windows, walls, cars etc., thus avoiding possible property damage or personal injury caused by a ricocheting debris.
 - Never direct discharge at children, bystanders and pets or allow anyone in front of the machine.
 - Do not overload machine capacity by attempting to clear snow at too fast of a rate....
- Remember! Slow and steady operation is best to avoid clogs of snow being impelled too rapidly.**
- Never operate this machine without good visibility or light. Always be sure of your footing and keep a firm hold on the handles. Walk, never run.
 - Disengage power to the auger system (auger/impeller) by releasing the auger control (lever) when transporting or not in use.
 - Never operate machine at high transport speeds on slippery surfaces. Look down and behind and use care when backing up.

- If the machine should start to vibrate abnormally, stop the engine, disconnect the spark plug wire and ground it against the engine. Inspect thoroughly for damage. Repair any damage before starting and operating.
- Disengage all (drive and auger) control levers and stop engine before you leave the operation position (behind the handles).
- Wait until the auger /impeller comes to a complete stop before unclogging the chute assembly, making any adjustments or inspections.
- Never put your hand in the discharge or collector openings. Always use the clean-out tool provided to unclog the discharge opening. Do not unclog chute assembly while engine is running. Shut off engine and remain behind handles until all moving parts have stopped before unclogging.
- Use only attachments and accessories approved by the manufacturer (e.g. wheel weights, tire chains, cabs etc.).
- When starting engine, pull cord slowly until resistance is felt, then pull rapidly, Rapid retraction of starter cord (kickback) will pull hand and arm toward engine faster than you can let go. Broken bones, fractures, bruises or sprains could result.
- If situations occur which are not covered in this manual, use care and good judgment contact customer support for assistance.

MAINTENANCE & STORAGE

- Never tamper with safety devices. Check their proper operation regularly. Refer to the maintenance and adjustment sections of manual.
- Before cleaning, repairing, or inspecting machine disengage all control levers and stop the engine.
- Wait until the auger impeller comes to a complete stop. Disconnect the spark plug wire to prevent unintended starting.
- Check bolts and screws for proper tightness (EVERYTIME before & after use) as engine vibration could cause hardware to loosen...consider using a Loc-Tite product to keep hardware secure. This process will keep the machine in safe working condition. Also, visually inspect machine for any damage.
- Verify that the auger gearbox, located between your right and left auger blades, has substantial lubricant in the casing. The gearbox fill and drain plugs (bolts) are the only “vertical” plugs (bolts) on the gearbox assembly when viewed in the standing position. The top plug (bolt) is used for filling...the bottom plug (bolt) is for draining. Simply remove the top plug (bolt) for verification of lubricant, as it should be inside. To drain, simply remove bottom plug (bolt).
- Do not change the engine governor setting or overspeed the engine. The governor controls the maximum safe operating speed of the engine.
- **Snow thrower auger belts, shave plates, shear pins and skid shoes are subject to wear and damage, therefore it is expected that the owner assume personal responsibility for the maintenance (removal & installation) of these items.**
- For your safety protection, frequently check all components and replace with original equipment manufacturers (OEM) parts only. Use of parts which do not meet the original equipment specifications may lead to improper performance and compromise safety.
- Check (drive & auger) control lever (handles) and cables periodically to verify they engage and disengage properly and adjust, if necessary. Refer to the adjustment section in this operator's manual for instructions.
- Maintain or replace safety and instruction labels, as necessary.
- Observe proper disposal laws and regulations for gas, oil, etc. to protect the environment.
- Prior to storing, run machine a few minutes to clear snow from machine and prevent freeze up of auger impeller and completely wipe down unit, while inspecting for frozen components.
- Never store the machine or fuel container inside where there is an open flame, spark or pilot light such as water heater, furnace, clothes dryer etc.
- Always refer to the operator's manual for proper instructions on off-season storage. A YouTube video

is available, which illustrates this process: <https://www.youtube.com/watch?v=X4KYcFEfeY4>

- Check fuel line, tank, cap and fittings frequently for cracks or leaks. Replace if necessary.
- Do not crank engine with spark plug removed.
- Have the machine inspected annually by an authorized service dealer to ensure that all mechanical and safety systems are working properly and have not worn excessively*. Failure to do so can result in accidents, injuries or death.

***Please note that an annual inspection is not covered within the warranty program...only REPAIR service.**

CLEANING

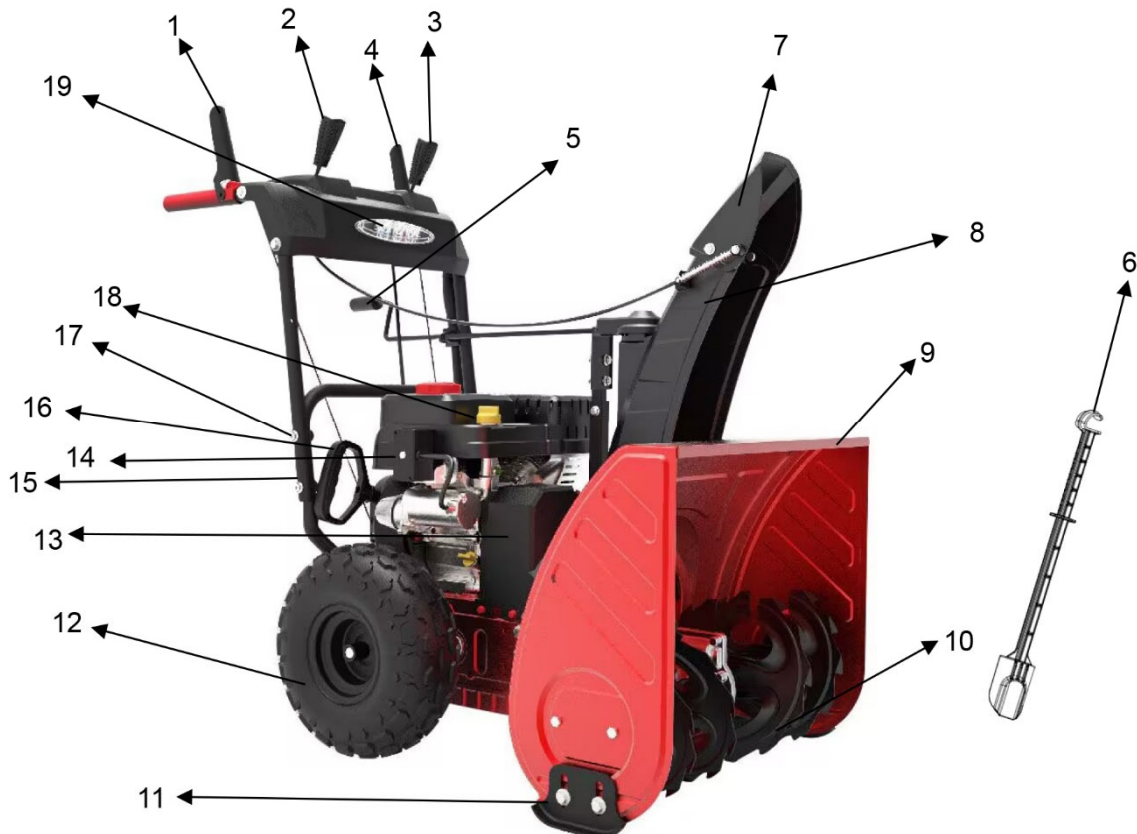
1. To clean your Snow Thrower, use a damp cloth and mild detergent on the surfaces only. Never get soap or water inside the working mechanisms of your Snow Thrower. Do not clean with water. Water will freeze due to low temperature and damage the machine.
2. Clean the Snow Thrower of snow and ice buildup before storing or transporting. Be sure to secure the unit while transporting.
3. Inspect the Snow Thrower carefully for worn, loose, or damaged parts. Check connections and screws and tighten if necessary.

DO NOT MODIFY THE ENGINE

To avoid serious injury or death, do not modify engine in any way. Tampering with the governor setting can lead to a runaway engine and cause it to operate at unsafe speeds. Never tamper with factory setting of engine governor.

KNOWING YOUR SNOW THROWER

Use the illustrations below to become familiar with the locations and functions of the various components and controls of this snow thrower.



1	Drive Control Lever	10	Auger Blade
2	Chute Deflector Control	11	Skid Shoe
3	Drive Speed/Gear Control	12	Tire
4	Auger Control Lever	13	Belt Cover
5	Chute Rotation Handle	14	Electric Start Button
6	Clean Out Tool	15	Lower Handle
7	Discharge Chute Deflector	16	Recoil Start Handle
8	Discharge Chute	17	Handle Nut
9	Auger Housing	18	Oil Dipstick
		19	Light



20	Choke Lever	22	Switch Key
21	Primer Bulb	23	Fuel Tank Cap

Drive Control Lever

Located on the right side of the upper handle, the Drive Control Handle is used to engage and disengage the drive wheels. Squeeze the Drive Control Handle against the upper handle to engage the wheels; release to disengage.

Drive Speed/Gear Control

The Speed/Gear Control is located on the left of the panel and is used to set the drive speed and direction of travel. It can be moved into any of eight positions (six forward and two reverse gear settings)

Auger Control Lever

Located on the left side of the upper handle, the Auger Control Handle is used to engage and disengage the augers. Squeeze the Auger Control Handle to engage the augers; release to disengage the augers.

Chute Rotation Handle

To adjust snow discharge direction, rotate the handle clockwise or counter-clockwise.... should rotate 180 degrees.

Skid Shoe

Position the shoes based on the surface conditions. Adjust upward for hard-packed snow. Adjust downward when operating on gravel or crushed rock surfaces.

Auger Blade and Impeller

When engaged, the auger blades rotate to cut snow and direct it into the auger/impeller housing to be discharged out the chute.

Clean-out Tool

The chute Clean-out Tool is It is used to clean the chute assembly and chute opening when snow and ice become lodged.

WARNING! Never use your hands to clear a clogged chute assembly. Shut off engine and remain behind handles until all moving parts have stopped before unclogging.

LED Light

Located on the front of the panel, this feature provides extra light for increased visibility.

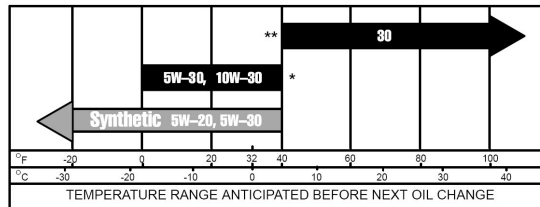
SNOW THROWER PREPARATION

ADD OIL

The snow thrower is shipped without oil. User must add the proper amount of oil before operating the snow blower for the first time. The oil capacity of the engine crankcase is 20.29 fl. oz. For general use, we recommend 5W-30, 4-stroke engine oil.

ENGINE OIL RECOMMENDATIONS

Select good quality detergent oil bearing the American Petroleum Institute (API) service classifications SJ, SL, or SM (synthetic oils may be used). Use the ASE viscosity grade of oil from the following chart that matches the starting temperature anticipated before the next oil changes.



To add oil, follow these steps:

1. Make sure the snow thrower is on a level surface. Tilting the snow thrower to assist in filling will cause oil to flow into engine areas and will cause damage. Keep snow thrower level!
2. Remove the dipstick from the engine.
3. Add oil slowly as to not overflow the unit.
4. To check the oil level, wipe the dipstick with a clean rag. Insert the dipstick into the oil fill opening without screwing it in. Remove the dipstick to check the oil mark.
5. Slowly add more oil and repeat step 4 until the oil mark reaches to the top of the dipstick. Do not overfill the crankcase.
6. Check for oil leaks. Tighten dipstick firmly.



ADD GASOLINE

Use fresh (within 30 days from purchase), lead-free gasoline with a minimum of 87 octane rating. Do not mix oil with gasoline.

To add gasoline, follow these steps:

1. Make sure the snow thrower is on a level surface.
2. Unscrew fuel tank cap and set aside. NOTE: The fuel cap may be tight and hard to unscrew.
3. Slowly add unleaded gasoline to the fuel tank. Be careful not to overfill. The capacity of the fuel tank is 0.5 gallons. NOTE: Do not fill the fuel tank to the very top. Gasoline will expand and spill over during use even with the fuel cap in place.
4. Reinstall fuel cap and wipe clean any spilled gasoline with a dry cloth.

IMPORTANT:

- Never use an oil/gasoline mixture.
- Never use old gasoline.
- Avoid getting dirt or water into the fuel tank.
- Gasoline can age in the tank and make starting difficult. Never store snow thrower for extended

periods of time with fuel in the tank or the carburetor.

NOTE: After completing the above preparation, the engine is ready to be started.

WARNING! Keep the area of operation free from foreign objects that can be thrown by the auger and/or impeller blades. Perform a thorough inspection of the area since some objects may be hidden from view by surrounding snow. If the snow thrower hits an obstruction or picks up a foreign object during use, stop the snow thrower immediately, remove the obstruction, and inspect it for damage. Repair or replace any damaged parts before restarting and operating you snow thrower.

- Keep children, pets, and bystanders away from the area of operation. Be aware that the normal noise of the snow thrower when turned on may make it difficult for you to hear approaching people.
- Start your clearing path by throwing snow in a back and forth motion. To clear in the opposite direction, stop your snow thrower and pivot it on its' wheels to face the opposite direction. Make sure to overlap clearing paths.
- Determine the direction of the wind. If possible, move in the same direction as the wind so that the snow is not thrown against the wind, back into your face and on the just cleared path.

WARNING! DO NOT USE YOUR HANDS TO UNCLOG CHUTE. Stop the motor before removing debris. Use the supplied Clean-out tool to unclog the chute. Do not walk in front of your running snow thrower. Do not direct discharged snow towards bystanders.

- Do not apply additional man-made load to the engine since this may damage the engine.
- Some parts of your snow thrower may freeze under extreme temperature conditions. Do not attempt to operate your snow thrower with frozen parts. If the parts freeze while your snow thrower is in use, stop the unit and inspect it for frozen parts. Thaw all parts before restarting and operating your snow thrower. Never force parts or controls that are frozen. Never use an open flame of any sort to thaw frozen parts.

Pre-Operation Inspection - **IMPORTANT!!!**

Before using your snow thrower for the first time, check the following:

- Have you read and followed all setup and operation procedures for the engine as outlined?
- Has the engine been filled with oil and gasoline to the proper level?
- Are all snow thrower components properly attached and assembled?
- Are there any broken or damaged parts?
- Are all fasteners tight?
- Are the tires inflated to the proper pressure?

NOTICE: If you are unsure about the assembly or condition of any of your snow thrower parts, please call our customer service department at (800)791 9458.

AUGER AND DRIVE CONTROLS

1. To engage the auger (blades), press down on the auger control lever (left side handle).
2. To engage the drive, press down on the drive control lever (right side handle). The machine should start moving in the direction and speed for the respective setting on the speed/gear control.

When finished clearing a snow path, release the auger control lever (handle) and the drive control lever (handle)Attention: Release (disengage) the auger and drive control lever (handles) before adjusting the drive speed control lever. **NEVER** change the drive/gear speed while your snow thrower is in motion, as it will damage the drive mechanism and void the warranty.

DRIVE SPEED/GEAR CONTROL

Move the drive speed control lever to the desired speed. There are eight (8) settings: six (6) forward speeds and two (2) reverse speeds. 1 is the slowest forward speed and 6 is the fastest forward speed. R1 is the slowest reverse speed and R2 is the fastest reverse speed.

Note: There is no neutral drive setting since the drive control handle must be engaged for movement. Neutral is achieved when the drive control handle is disengaged.



CHUTE DISCHARGE DIRECTION ADJUSTMENT



WARNING - Never direct the snow discharge chute at the operator, bystanders, vehicles, or nearby windows. Discharged snow and foreign objects accidentally picked up by the Snow Thrower can cause serious damage and severe bodily injury. Always point the discharge

chute in the opposite direction from potential hazards. The discharge chute can be adjusted 180° by rotating the chute rotation handle. Rotate the chute rotation handle clockwise to move the discharge chute to the right; counterclockwise to move the chute to the left.

SKID SHOES ADJUSTMENT

Adjustment of the skid shoes sets the height above the ground at which the auger shave plate operates.

For clearing snow from concrete, asphalt, and other smooth surfaces, set the auger shave plate so that the bottom of the plate is just above the ground.

For clearing snow from gravel, dirt, and other rough surfaces set the auger shave plate slightly above the ground to avoid dirt and gravel from entering the auger.

The optimal height of the plate will vary depending on the type of surface being cleared. Surfaces with larger gravel or stones require a higher shave plate setting.

1. Move the snow thrower to a solid, smooth, and level surface.
2. Place a spacer board on the ground underneath the auger shave plate between the skid shoes. The thickness of the board should be the same as the height above the ground you wish to raise the auger shave plate. The skid shoes should not touch the board.

With the two nuts loose allow the skid shoe to slide to the ground then tighten the nuts to secure the skid shoe.

OPERATING YOUR SNOW THROWER

MANUAL START THE ENGINE

To manual start the engine, perform the following steps:

1. Check the oil and fuel levels.
2. Move the choke lever to the “CLOSE” position.
3. Make sure insert the switch key.
4. Press the primer bulb 3 times.
5. Pull on the recoil starter handle slowly until a slight resistance is felt, then pull quickly to start the engine. Return cord gently into the recoil starter. Never allow the cord to snap back.
6. If engine fails to start, repeat step 4. NOTE: After repeated failed attempts to start the engine, please consult the troubleshooting guide before attempting again. If problems persist, please call customer service.
7. Once the engine has started, slowly return the choke lever all the way to the “OPEN” position.
8. Allow the engine to run for several minutes before cleaning snow. This allows the engine to stabilize its speed and temperature.

ELECTRIC START THE ENGINE

To start the engine using the electric start function, perform the following steps:

1. Check the oil and gas levels.
2. Move the choke lever to the “CLOSE” position.
3. Make sure insert the switch key.
4. Press the primer bulb 3 times.
5. Plug the power cord to starting motor.
6. Press the start button for 2-3 seconds or until the engine starts. NOTE: If the engine does not start after 2-3 seconds, release the start button.
7. If engine fails to start, wait 10 seconds, then repeat step 6. NOTE: After repeated attempts to start the engine, please consult the troubleshooting guide before attempting again. If problems persist, please call customer service.
8. Once the engine has started. Slowly move the choke lever all the way to the “OPEN” position. Allow the engine to run for several minutes before attempting to clean snow.

CLEARING SNOW

Start the engine once your snow thrower has been running outside for several minutes, it is now ready for use. Make sure the path in front of your Snow Thrower is free from people, animals, objects, and all other obstructions except for snow.

Adjust the chute outlet to the desired direction.

Turn the chute rotation handle clockwise or counter-clockwise until the desired position is reached.

WARNING! Never direct the chute outlet toward people or animals. While snow may seem harmless, it can contain rocks or other debris that can cause serious injury when projected through the chute.

1. Engage/depress the auger control lever (handle) to start the augers and impeller turning.
2. Set the desired direction and speed using the speed/gear control lever.
3. Engage/depress the drive control lever (handle) and direct the snow thrower into the snow to be cleared.

NOTICE: NEVER change speed/gear positions while the drive control lever (handle) is engaged.

Disengage the drive control handle BEFORE changing speeds or directions. If the snow is deeper than the height of the auger, remove it in several steps taking narrower swaths. Make several passes with the auger overlapping the cleared areas and reduce forward speed.

For the best clearing efficiency, clear snow before it melts, refreezes and hardens. Hard packed and wet snow can be very difficult to clear.

Clearing wet heavy snow can be a challenge, depending on ambient temperature, humidity levels, and overall climate conditions including actual snow conditions, there may be no 100% solution as snow may be too wet or compacted to move or throw. Wet snow will tend to clog and stick more to the augers and chute. Keep the auger engaged as much as possible when clearing wet snow to help prevent clogging.

WARNING! If snow is filled with foreign material, damage to the snow thrower may result.

Avoid snow with foreign materials.

STOPPING

When finished using your snow thrower, perform the following steps to shut it down.

1. Engage the auger and impeller for 30 seconds to clear any remaining snow inside your snow thrower
2. Stop the auger blade rotation by releasing the (left) auger control lever (handle).
3. Remove Engine Safety Switch Key to stop engine operation.
4. Remove snow from all snow thrower surfaces including the auger housing and chute areas.

CLEARING RESTRICTIONS

If the snow discharge chute or auger housing becomes clogged, STOP the engine. Remove the Engine Safety key and make sure that all rotating parts have come to a complete stop. Use the supplied snow clean out tool to clear the obstruction. After unclogging, wipe the tool clean, and place it in the holder on top of the auger housing.

MAINTENANCE

TIRE INFLATION

Before each use of your Snow Thrower, check the tire pressure. The pressure in each tire should be in the range of 20-24 psi for the best performance. The pressure can be checked using an ordinary tire pressure gauge. Fill the tires using a small or pressure regulated air compressor.

WARNING! DO NOT OVER-INFLATE THE TIRES. Over-inflating could cause a tire to burst and cause severe bodily injury.

SHAVE PLATE REPLACEMENT

Remove both skid shoes and hardware including carriage bolts and nuts which attach shave plate to snow thrower housing. Reassemble new shave plate, making sure heads of the carriage bolts are to the inside of the auger housing.

AUGER OR IMPELLER JAMS

WARNING! The auger and impeller rotate at fast speeds which can cause harm or even amputation to a person's body parts. Even if you do not see the auger or impeller rotating, it may start at any time if the engine is running. Remove the Safety Key before cleaning the jams. The chute clean-out tool is fastened to the upper tube.

1. Always turn OFF the engine before attempting to clear any clogs or jams.
2. Keep hands and feet away from rotating parts while the engine is running.
3. Do not wear loose fitting clothing that can become entangled in rotating parts.
4. Wait until the auger and impeller have come to a full stop.
5. Clear any visible jams using the clean out tool attached to your machine.

WARNING! DO NOT try to clear jams with your hands or feet.

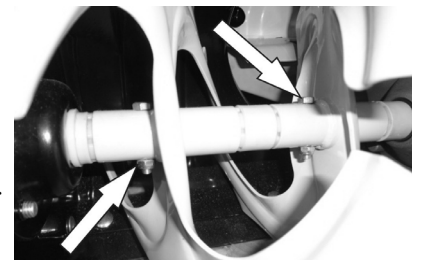
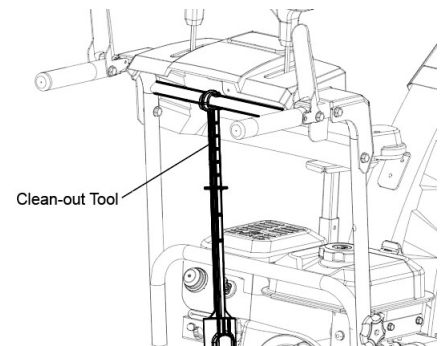
AUGER SHEAR PINS REPLACEMENT

Shear pins are used to attach the auger shaft to the auger blades. Stop the engine by removing the safety key. A clog or jam in the augers may cause one or multiple shear pins to break. The shear pins are a safety mechanism and designed to break under high load or impact and protect the auger drive system from damage. Replacement shear pins and nylon locknuts are provided with your snow thrower.

For additional replacement shear pins, please call the customer service department at (800)791 9458.

1. Turn off the engine and wait for all moving parts to come to a complete stop. Remove any remnants of the broken shear pin. It may be necessary to unscrew the nut from the broken shear pin and drive out the broken pin.
2. Insert a new shear pin through the hole in the auger shaft and tighten using the shear pin nylon lock nut. Do not over-tighten the nylon lock nut. **Note:** Never replace the shear pins with standard pins or fasteners. Damage may occur to the snow blower and drive systems.

NOTICE: Never replace the shear pins with standard pins or fasteners. Damage may occur to the snow blower and drive systems.



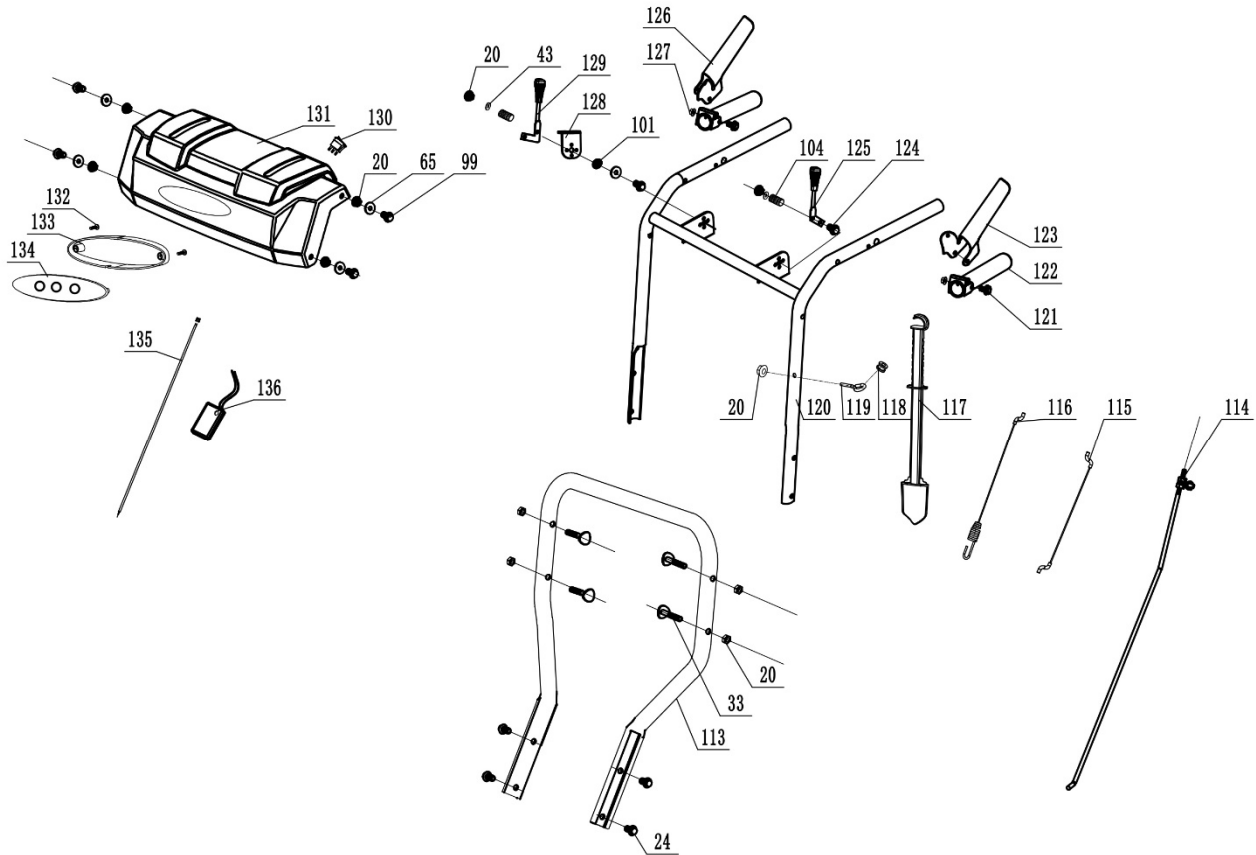
TROUBLESHOOTING

Problem	Causes	Remedy
<p>WARNING - Before attempting to make any inspections, repairs or adjustments, stop the engine, wait for all moving parts to stop moving and carefully disconnect the engine spark plug wire. If tipping or turning the snow blower is required for any inspection or repair, first wait until the engine is cool to the touch and then drain the engine of all fuel and oil into suitable containers and store or dispose of in a proper manner.</p>		
<p>Engine Systems - Note: For all engine problems, see the below troubleshooting information.</p>		
Engine Fails to Start (Engine cranks over)	Spark plug wire disconnected	Connect wire to spark plug
	Faulty spark plug	Clean, adjust gap, or replace spark plug.
	Engine flooded with fuel	Discontinue choke or primer use, clean or replace spark plug.
	Safety key not inserted in engine ignition	Insert key fully into the switch
	Choke not in START position	Move choke to START position, after engine starts slowly move to RUN position as engine speed and operation stabilizes at the set rpm. If engine still does not start move to half choke and crank engine.
	Fuel incorrect, old or stale, will not ignite	Empty and clean fuel tank & carburetor, refill with fresh, clean gasoline. (Note: Fuel may become stale after 30 days in some cases)
	Blocked or clogged fuel system or line	Clean fuel system or line
	Extension cord is not properly attached to electric starter terminal	Re-insert extension cord into electric starter terminal.
Engine electric starter will not crank engine	No power from power supply, tripped breaker	Check power supply extension cord is attached to.
	Extension cord wire gauge is too small, or cord is too long	Use proper rated and length extension cord
	CHOKE in ON or partial ON position	Move CHOKE lever to RUN
Engine runs erratic, stalls or seems low on power	Fuel incorrect, old or stale	Empty and clean fuel tank & carburetor, refill with fresh, clean gasoline. (Note: Fuel may become stale after 30 days in some cases)
	Blocked or clogged fuel system or line	Clean fuel system or line
	Carburetor is in need of cleaning	Clean fuel system and carburetor
	Spark plug wire loose	Connect and tighten spark plug wire
	Faulty spark plug	Clean, adjust gap, or replace spark plug, see Engine Operator's manual
	Engine oil over filled	Drain oil to proper level. Oil should not be above the top 2 threads of LOWER fill plug.
	Engine oil level low or empty	Add oil
Drive system		
No forward or reverse drive movement when drive handle engaged	Drive belt loose or damaged	Check drive belt tension pulley for damage or incorrect tension, repair as necessary. Replace drive belt.
	Friction drive wheel is worn or damaged	Replace friction drive wheel
	Friction drive wheel wet or slipping	Allow snow blower to dry and or warm up or adjust drive cable tension as necessary
	Wheel to axle pins broken or missing.	Replace pins attaching wheels to axle

Problem	Causes	Remedy
Drive speed control stuck in gear or won't change gears	Speed control lever loose or damaged, not moving speed control cables	Check speed control lever and cables for damage or loose or missing parts. Repair or replace parts as needed, ensure pivot stud spring tension is correct, adjust pivot nut spring tension as needed.
	Speed control cables loose, damaged or binding	Repair, adjust or replace as necessary
Drive speed control allows only 1 direction	Speed control cables unadjusted, loose, damaged or binding	Check speed control lever and cables for damage or loose or missing parts. Repair or replace parts as needed. Adjust drive speed control cables, see Drive Speed Control Cables Adjustment
Drive engaged when drive control handle released	Drive control cable binding, won't release	Repair, replace cable as necessary
	Friction drive wheel return spring broke or missing	Replace spring, adjust cable as necessary
Auger System		
Auger not rotating when auger control handle engaged or Not blowing snow or Poor snow blowing performance	Chute assembly clogged	Clean chute and inside of auger housing with clean-out tool
	Auger shear pins broken	Replace shear pins. Check each auger blade shear pin.
	Foreign object in auger or impeller causing auger to stop without shearing pins	Remove object from auger or impeller areas
	Auger belt loose, slipping, worn or damaged	Replace auger belt
	Auger belt tension cable loose, damaged or binding	Repair, adjust or replace as necessary
	Auger blade(s) damaged or bent	Replace auger blade(s)
	Auger gearbox mechanical damage, auger drive system not rotating freely (binding)	Check bearings, bushings and all system parts for damage or mechanical binding. Repair or replace as necessary using proper lubrication
	Impeller damaged	Replace impeller
	Impeller not connected to impeller shaft, impeller or shear pins broken	Replace shear pins or impeller as necessary
	Forward speed too fast while blowing snow, overload	Allow engine to maintain its speed.
Auger belt broken, or repeated failure	Auger tension pulley arm return spring broken or missing	Replace tension arm return spring
	Auger tension pulley arm stuck or binding	Repair or replace tension arm as necessary
	Auger tension pulley arm or pulley misaligned or damaged	Repair, replace or align tension arm and or pulley as necessary
	Foreign material on pulleys and belt, oil, grease, dirt etc.	Clean belt and pulleys as necessary, replace belt if necessary
	Auger pulleys misaligned, loose, damaged, or bent	Replace or align pulleys as necessary
	Incorrect or damaged auger belt	Replace with correct size and type belt
	Auger belt guide pin not adjusted	Adjust belt guide pin to within 1/8 to 3/16 in. from pulley. (Guide pin keeps belt in pulley when disengaged)
Auger rotating when auger control handle released	Auger tension pulley arm return spring broken or missing	Replace tension arm return spring

EXPLODED VIEW AND PARTS LIST

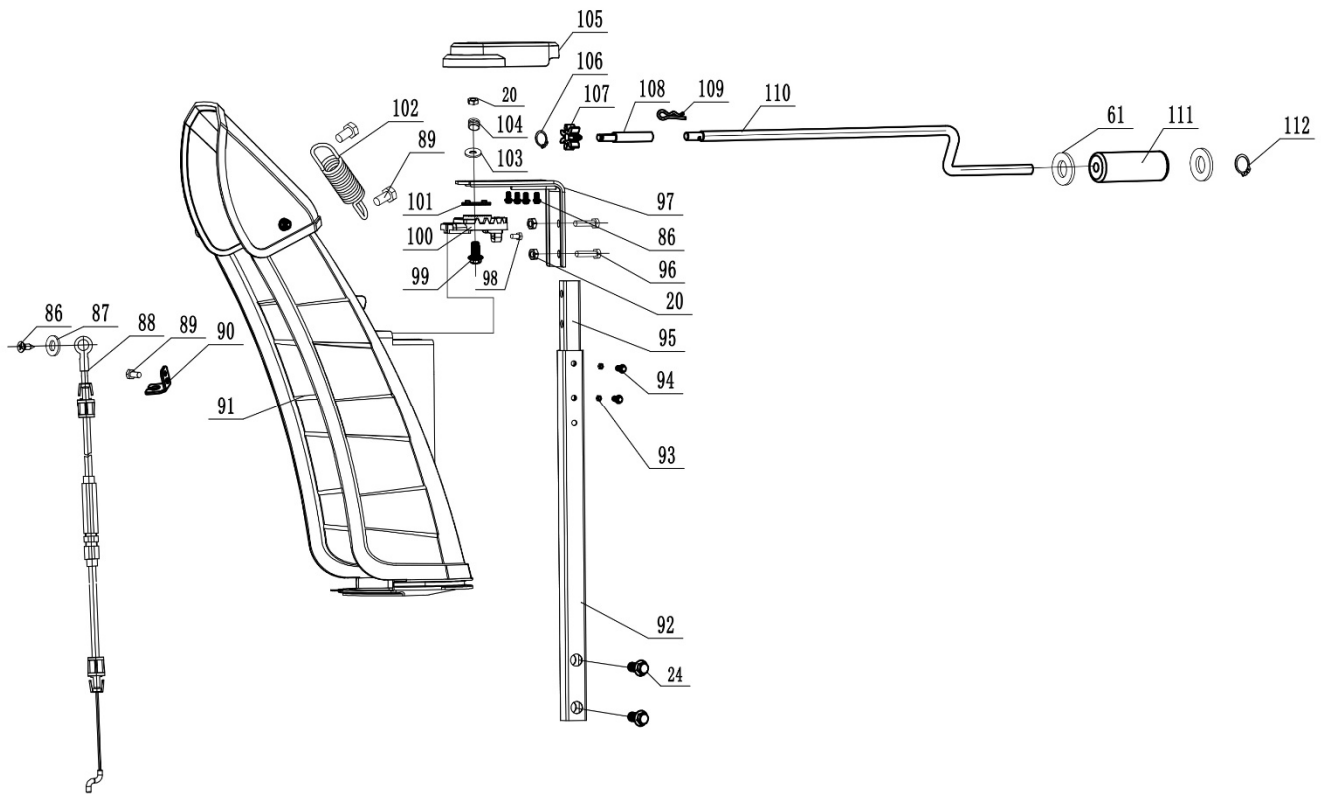
PANEL ASSEMBLY



Item	Stock#	Description	Qty
24	303020498	Bolt M8×18	4
113	303160909	Lower Handle	1
33	303020154	Bolt M8×40	4
20	303030077	Flange Lock Nut M8	4
114	202580001	Speed Control Connection Rod	1
115	303200153	Upper Auger Cable	1
116	303200152	Upper Drive Cable	1
117	203051135	Clean Out Tool	1
118	302080018	Rubber ring	1
119	303080674	Support rod	1
120	303181466	Upper Handle Welding	1
20	303030077	Flange Lock Nut M8	1
121	303020486	Bolt M6x50	2
122	203070105	Handle sleeve	2
123	303071335	Left control trigger	1
124	303020654	Bolt M8×35	2
125	203010977	Control Handle	1
104	303130369	Spring	2

Item	Stock#	Description	Qty
126	303071336	Right control trigger	1
127	303030025	Nut M6	2
101	203020380	Tooth pad	2
128	303071549	Fixed plate	1
129	203010979	Control Handle	1
43	303042023	Flat Washer	2
20	303030077	Flange Lock Nut M8	2
99	303020275	Bolt M8×40	4
65	303042013	Flat Washer	4
20	303030077	Flange Lock Nut M8	4
130	301100037	Light switch	1
131	202030117	Panel	1
132	303010159	Screw4.2x12mm	3
133	203050561	Rear cover	1
134	202500002	Lamp panel assembly	1
135	301040130	Connecting line	1
136	306010059	Battery box	1

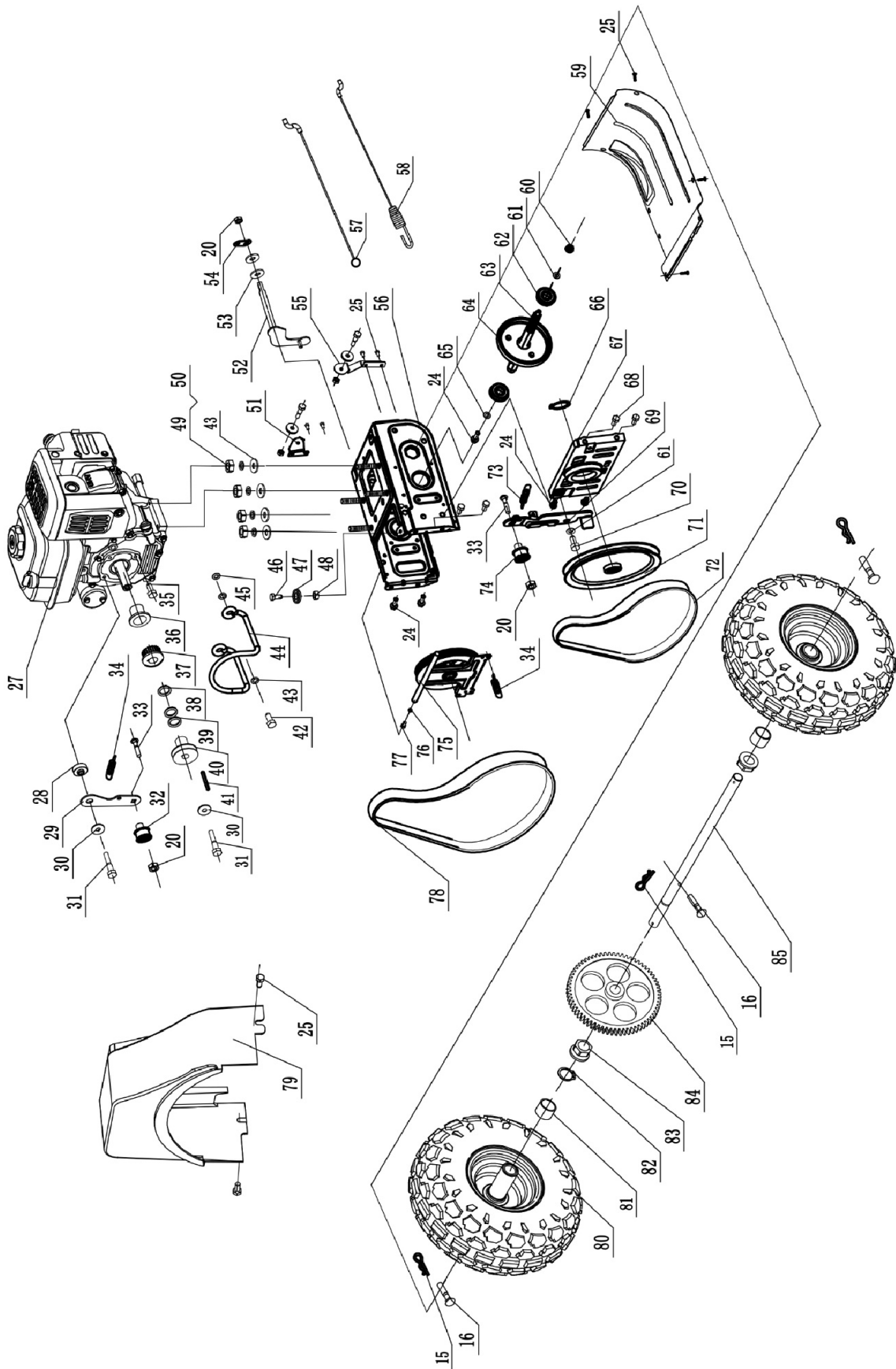
CHUTE ASSEMBLY



Item	Stock#	Description	Qty
86	303010270	Screw ST4.2×14	1
87	303042019	Flat Washer	1
88	303200151A	Snow chute cable	1
89	303010353	Screw ST6.3*16	1
90	303071641	Cable seat	1
91	202120185	Chute	1
24	303020498	Bolt M8×18	2
92	303081362	Support Tube Welded	1
93	303030087	Nut M6	2
94	303020507	Bolt M6×35	2
95	303081359	Small Support Tube Welded	1
20	303030077	Flange Lock Nut M8	2
96	303020583	Bolt M8×35	2
86	303010270	Screw ST4.2×14	4
97	303071639	Support plate	1
98	303010332	Screw ST6.3x20	1
99	303020275	Bolt M8×40	1

Item	Stock#	Description	Qty
100	203021536	Steering gear	1
101	203020380	Tooth pad	1
89	303010351	Screw ST6.3*14	2
102	303130393	drag spring	1
103	303042138	Flat Washer	1
104	303130369	Compression spring	1
20	303030077	Muelle de compresión M8	1
105	203010980	Steering gear cover	1
106	303050008	Shaft Ring	1
107	303060178	Steering pinion	1
108	303160984	Steering shaft	1
109	303160845	Dowel Pin	1
110	303160905	Z-long rocker	1
61	303042004	Flat washer	2
111	203021460	Rocker lever	1
112	303050029	Shaft Ring	1

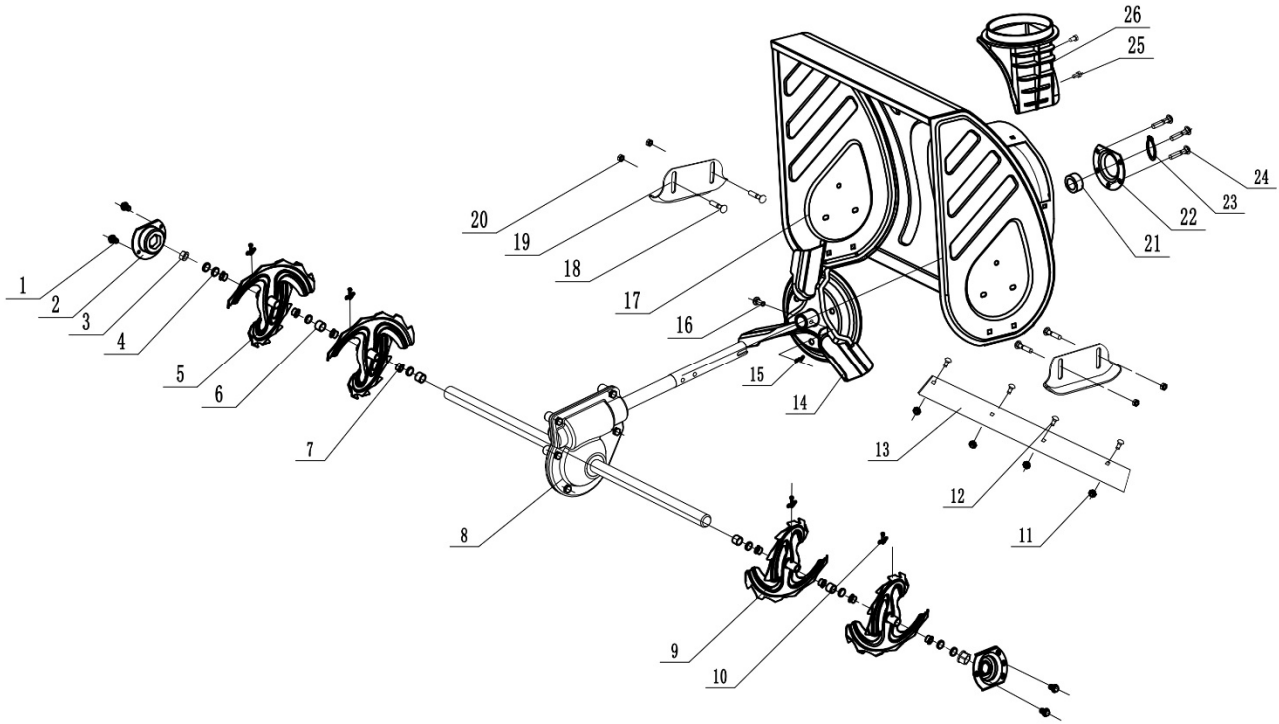
FRAME ASSEMBLY



Item	Stock#	Description	Qty
27	303190351	Engine	1
28	303160192B	Spacer bush	1
29	303070202	Small tensioning plate	1
30	303042005	Flat washer	1
31	303020265	Bolt M8x30	1
20	303030077	Flange locknut M8	1
32	203100004	Tension wheel assembly	1
33	303020154	Bolt M8x40	1
34	303130094	Friction wheel bracket spring	1
35	303160432	Screw M8	1
36	303060040	Adjustable pad	1
37	303060041	Synchronous pulley wheel	1
38	303060064	Adjustable pad	2
39	303043021	Washer	1
40	303160152A	V-belt wheel	1
41	9141960101	Longitudinal key	1
30	303042005	Flat Washer	1
31	303020265	Bolt M8x30	1
42	303020457	Bolt M8x25	1
43	303042023	Flat Wsher	3
44	303081365	Belt stop lever	1
45	303043016	External teeth lock washer	1
46	303160177	Guide pulley Screw	3
47	203020364	Guide pulley	3
48	303030032	Locknut M6	3
49	303030066	Nut M8	4
50	303041022	Spring washer	4
43	303042023	Flat Wsher	4
51	303070418A	Guide Wheel Plate	1
52	303181440	Gear Shift Fork Welded	1
53	303042069	Flat Wsher	2
54	303071631	Shift Pick	1
20	303030077	Flang Lock Nut M8	1
55	303071243	Guide wheel plate	1
25	303020561	Bolt M6x16	4
56	202020116	Chassis welded	1
57	303200050	Lower Drive Cable	1
58	303200012	Lower Auger Cable	1
25	303020561	Bolt M6x16	4

Item	Stock#	Description	Qty
59	203050513	Big raft	1
60	303030059	Lock nut M10	1
61	303042004	Flat Wsher	1
62	303100051	Deep groove ball bearing	2
63	303160799	Six square sleeve	1
64	202160007	Friction Wheel Assembly	1
65	303042013	Flat Wsher	1
24	303020498	Bolt M8x18	1
66	303050524	Ring	1
67	202570001	Pulley support assembly	1
68	303100105	Locking shaft	2
69	303071633	Big Tension Plate	1
61	303042004	Flat Wsher	1
70	303020680	Bolt	1
71	203060034	7109 Big Pulley	1
72	302040079	V-Belt 720mm,4LXA	1
24	303020498	Bolt M8x18	2
73	303160983	Tension plate tension spring	1
33	303020154	Bolt M8x40	1
74	203100003	Tensioning Wheel Assembly	1
20	303030077	Muelle de compresión M8	1
34	303130094	Friction wheel bracket spring	1
24	303020498	Bolt M8x18	6
75	202170006	Friction wheel assembly	1
76	303042042	Flat Wsher	1
77	303020244	Bolt M6x14	1
78	302040078	Synchronous belt	1
25	303020561	Bolt M6x16	2
79	203051019	Belt cover	1
15	303160987	Anti - knockout	2
16	303160815	Elastic cylindrical pin	2
80	302090217	13" Wheel assembly	2
81	203050140	Spacer bush	2
82	303050028	Shaft ring	1
83	303060030	Bushing	2
84	303160876	Big gear	1
15	303160987	Anti - knockout	1
16	303160815	Elastic cylindrical pin	1
85	303160880	Axle	1

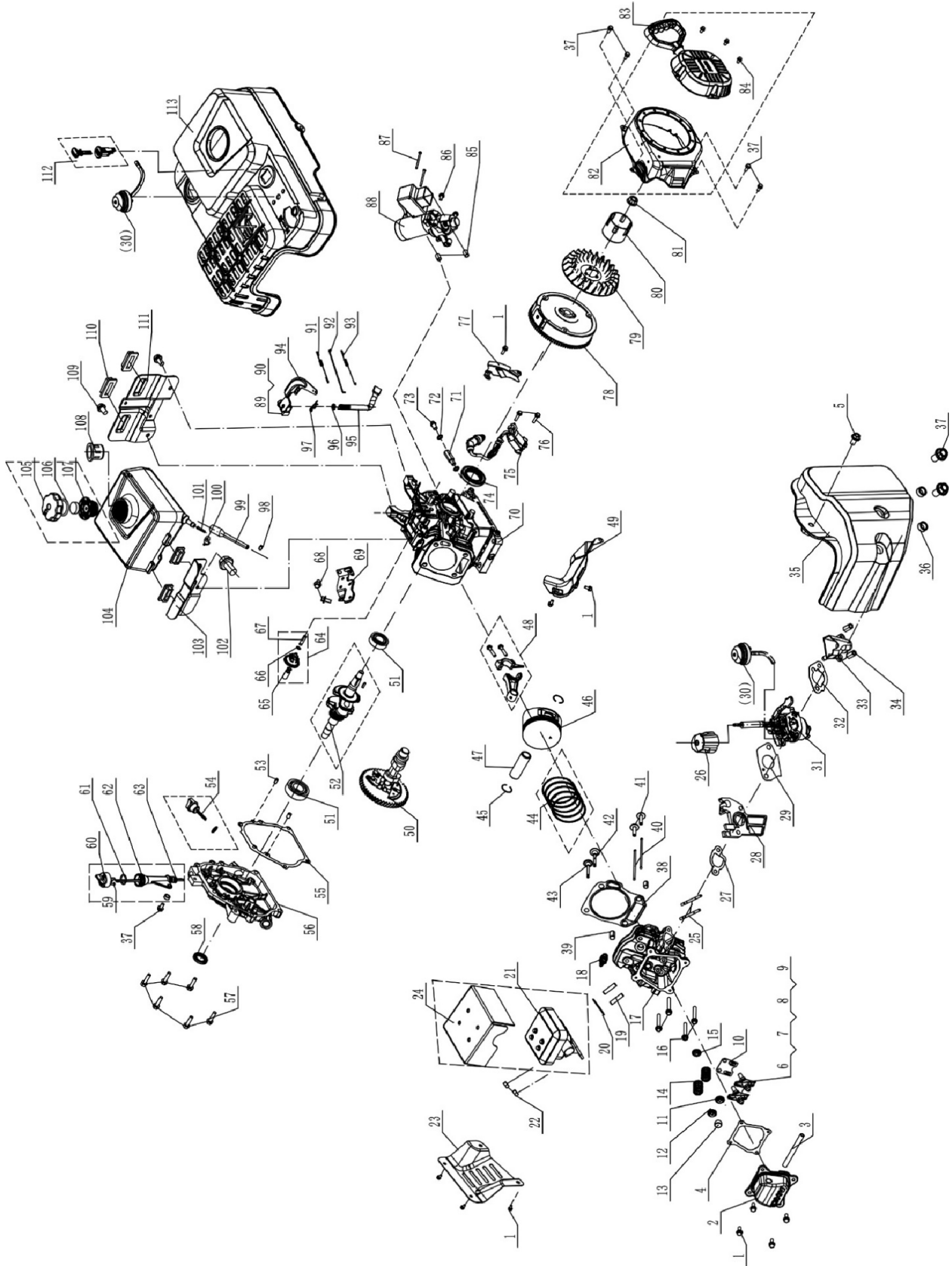
AUGER HOUSING ASSEMBLY



Item	Stock#	Description	Qty
1	303020681	Hex Flange Bolt M8×16	4
2	303071607	Bearing Block	2
3	203060013	Plastic Bearing	2
4	203050109	Spacer Bush 2	10
5	303180409	Right Auger Welding	2
6	203050108	Spacer Bush 1	6
7	203060012	Auger Sleeve	8
8	202340011	Worm gear box combo	1
9	303180410	Auger Welding Left	1
10	202560001	Shear Pin Combo	4
11	303030076	Flang Normal Nut M8	4
12	303020542	Bolt M8×14	4
13	303071656	26" Shave	1

Item	Stock#	Description	Qty
14	303181436	Impeller	1
15	303160987	Anti - knockout	1
16	303160815	Elasti cylindrical pin	1
17	202480008	26" housing combo	1
18	303020166	Bolt M8×18	4
19	303070197	Skid Shoes	2
20	303030077	Flang Lock Nut M8	4
21	303100040	Bearing	1
22	303070233A	Bearing Plate	1
23	303050068	shaft retaining ring	1
24	303020498	Bolt	3
25	303020561	Bolt	2
26	203051016	Lower chute seat	1

ENGINE EXPLODE VIEW AND BOM LIST



Item	Stock#	Description	Qty
1	303020444	Hexagon Head Flange Bolt M6X12	9
2	9020960102	Breathing Cover	1
3	9051960302	Muffler Pipe	1
4	9245960103	Cylinder Head Cover Gasket	1
5	303020562	Bolt M6X10	3
6	9143960101	Air lock nut	2
7	9143960102	Valve clearance adjusting nut	2
8	9230960101	Valve rocker	2
9	9142960101	Rocker seat locating bolt	2
10	9220960101	Push rod guide plate	1
11	9170960102	Intake valve spring seat	1
12	9402960101	Exhaust valve adjusting cap	1
13	9170960103	Exhaust valve spring seat	1
14	9531960101	Valve spring	2
15	9245960101	Oil shield assembly	1
16	303020620	Bolt M8X60	4
17	9020960101	Cylinder head assembly	1
18	9566960301	Spark Plug	1
19	303010324	Muffler stud	2
20	9245960105	Muffler gasket	1
21	202370052	Muffler assembly	1
22	303030111	Nut M8	2
23	9226960501	Housing support	1
24	9569960513	Muffler heat shield	1
25	303010323	Carburetor stud	2
26	203021535	Carburetor knob	1
27	9245960107	Seal gasket	1
28	9535960101	Thermal baffle	1
29	9245960108	Seal gasket	1
30	9532960501	Primer pump assembly	1
31	9568960501	Carburetor assembly	1
32	9245960102	Empty filter washer	1
33	9170960101	Empty filter holder	1
34	303020382	Bolt M6X20	2

Item	Stock#	Description	Qty
58	9246960502	Oil seal	1
59	303010095	Self tapping screw ST4X14	1
60	9198960102	High oil ruler cover	1
61	9247960103	O-ring	1
62	9198960103	Oil ruler guide	1
63	9247960101	O-ring	1
64	9438960101	Speed regulating driven gear combination	1
65	9092960101	Slide bushing	1
66	303043040	Washer	2
67	9121960101	Governing gear shaft	1
68	303020444	Hexagon Head Flange Bolt M6X12	2
69	9228960301	Governor seat fixing plate	1
70	9563960501	Crankshaft box body	1
71	303020518	Drain bolt	1
72	303043042	Aluminum washer	2
73	303020508	Purge cock	1
74	9246960502	Oil seal	1
75	9565960301	Igniter assembly	1
76	303020490	Bolt M6X25	2
77	9221960501	Flywheel side housing	1
78	9152960501	Flywheel components	1
79	9414960101	Fan	1
80	9194960501	Passive plate	1
81	303020511	Nut M14X1.5	1
82	9226960301	Wind scooper	1
83	9528960301	Starter assembly	1
84	303020515	Bolt M6X8	4
85	9140960104	Locating pin	2
86	303020512	Bolt M6X30	2
87	303020517	Bolt M4X55	2
88	9421960101	Starting motor assembly	1
89	303020513	T-Bolt	1
90	303030112	Hexagon flange nut with teeth	1
91	9332960101	Speed regulating tension spring	1

35	9170960501	Empty filter cover	1	92	9013960102	Choke putter	1
36	9140960106	Bushing	2	93	9332960202	Throttle tension spring	1
37	303020382	Bolt M6X12	1	94	9230960101	Plunger arm	1
38	9245960504	Cylinder head gasket	1	95	9005960501	Throttle governor handle	1
39	9140960102	Positioning pin	2	96	303043040	Washer	1
40	9013960501	Push rod	2	97	9534960101	Split cotter	1
41	9536960501	Valve lifter	2	98	9533960201	Tubing clamp	1
42	9113960102	Exhaust valve	1	99	9051960501	Oil Tube	1
43	9113960101	Push Rod	1	100	9533960902	Tubing clamp	1
44	9564960501	Valve lifter	1	101	9115960901	Fuel filter	1
45	9146960501	Location pin	2	102	303020506	Bolt M8X12	1
46	9129960501	Exhaust valve	1	103	9226960502	Oil tank support A	1
47	9140960501	Piston pin	1	104	9529960501	Fuel tank assembly	1
48	9015960501	Piston ring assembly	1	105	9529960302	Fuel tank cap	1
49	303071360	Fairwater	1	106	9247960103	O ring	1
50	9158960501	Camshaft assembly	1	107	9529960103	Oil tank screw cap	1
51	303100072	Bearing	2	108	9115960101	Fuel filter	1
52	9122960501	Crankshaft assembly	1	109	303020444	Hexagon Head Flange Bolt M6X12	2
53	9140960103	Dowel pin	1	110	302030058	Shock absorber	4
54	9198960101	Oil ruler	1	111	9226960503	Oil tank support B	1
55	9245960106	Case gasket	1	112	9440960102	Key switch assembly	1
56	9563960102	Left crankcase cover	1	113	9225960501	Outer Cover	1
57	303020509	Bolt M8X32	6				

TWO (2) YEARS LIMITED WARRANTY

PowerSmart is committed to building tools that are dependable for years. Our warranties are consistent with our commitment and dedication to quality.

TWO (2) YEARS LIMITED WARRANTY OF POWER SMART PRODUCTS FOR HOME USE.

PowerSmart ("Seller") warrants to the original purchaser only, that all PowerSmart consumer power tools will be free from defects in material or workmanship for a period of two (2) years from date of purchase. Ninety (90) days for all PowerSmart Products, if the tool is used for professional or commercial use.

SELLER'S SOLE OBLIGATION AND YOUR EXCLUSIVE REMEDY under this Two (2) Years Limited Warranty and, to the extent permitted by law, any warranty or condition implied by law, shall be the repair or replacement of parts, without charge, which are defective in material or workmanship and which have not been misused, carelessly handled, or misrepaired by persons other than Seller or Authorized Service Center. To make a claim under this Limited Warranty, you must return the entire power tool product; transportation prepaid, to PowerSmart Include a legible copy of the original receipt, which lists the date of purchase (month and year) and the name of the company purchased from.

THIS LIMITED WARRANTY DOES NOT APPLY TO ANY ACCESSORY ITEMS INCLUDED WITH THE TOOL SUCH AS CIRCULAR SAW BLADES OTHER RELATED ITEMS OR TO ANY REPLACEMENT PARTS LISTED UNDER MAINTENANCE.

ANY IMPLIED WARRANTIES SHALL BE LIMITED IN DURATION TO TWO (2) YEARS FROM DATE OF PURCHASE. SOME STATES IN THE U.S. AND SOME CANADIAN PROVINCES DO NOT ALLOW LIMITATIONS ON HOW LONG AN IMPLIED WARRANTY LASTS, SO THE ABOVE LIMITATION MAY NOT APPLY TO YOU.

IN NO EVENT SHALL SELLER BE LIABLE FOR ANY INCIDENTAL OR CONSEQUENTIAL DAMAGES (INCLUDING BUT NOT LIMITED TO LIABILITY FOR LOSS OF PROFITS) ARISING FROM THE SALE OR USE OF THIS PRODUCT. SOME STATES IN THE U.S. AND SOME CANADIAN PROVINCES DO NOT ALLOW THE EXCLUSION OR LIMITATION OF INCIDENTAL OR CONSEQUENTIAL DAMAGES, SO THE ABOVE LIMITATION OR EXCLUSION MAY NOT APPLY TO YOU.

THIS LIMITED WARRANTY GIVES YOU SPECIFIC LEGAL RIGHTS, AND YOU MAY ALSO HAVE OTHER RIGHTS WHICH VARY FROM STATE TO STATE IN THE U.S., PROVINCE TO PROVINCE IN CANADA AND FROM COUNTRY TO COUNTRY.

For questions / comments, technical assistance or repair parts –
Please call toll free at: 1-800-791-9458 (M-F 9am – 5pm EST)
Email: support@amerisuninc.com

SAVE YOUR RECEIPTS. THIS WARRANTY IS VOID WITHOUT THEM.

TABLE DES MATIÈRES

FR

Données techniques	26
Introduction.....	27
Consignes de Sécurité.....	27
Connaissant de votre souffleuse à neige.....	31
Préparation de la Souffleuse à Neige.....	33
Fonctionnement de la Souffleuse à Neige	36
Entretien.....	37
Dépannage	38
Vue éclatée et liste des pièces.....	42
Garantie limitée de deux (2) ans.....	50

DONNÉES TECHNIQUES

26 inch Souffleuse à Neige Électrique à Deux Phases

Modèle #:	DB7109B
Déplacement:	212cc moteur à neige
Capacité du réservoir d'huile:	20.29 fl.oz
Capacité du réservoir de carburant:	0.5 Gallon
Système de Démarrage:	120V Electric / Recoil
Largeur de déblaiement effective:	26 inch
Hauteur de déblaiement effective:	20 inch
Rotation de La Chute:	180°
Vitesses:	6 Avant, 2 Arrière
Taille de pneu:	13 inch
Dimensions Générales(L x W x H):	31.1x26.3x22
Poids net:	142 lbs

Merci d'acheter les produits de Power Smart.

Il est crucial et fortement recommandé de lire ce manuel d'instructions dans son intégralité, car il s'agit d'un outil précieux et d'un point de référence pour comprendre le fonctionnement de votre unité.

Veuillez vous inscrire en ligne à [www. Amerisuninc.com](http://www.Amerisuninc.com)

Cette information nous permettra de suivre votre garantie et mise à jour de votre produit.

Attention:Nous ne fournis pas de courriel ou de informations personnelles à quiconque ne pour aucune raison. Tous les questions, vérifiez sur le Web ou contactez notre service après-vente au 800-791-9458

INTRODUCTION

Merci d'acheter les produits de Power Smart®. Ce manuel fournit des informations concernant le fonctionnement et l'entretien de cette machine. En ce qui concerne les manuels actuellement disponibles pour votre modèle. Le droit de modifier ce produit et les spécifications réservées au Power Smart® peuvent être changées sans notification.



Vous devez lire, comprendre et suivre toutes les instructions et les consignes de sécurité de ce manuel avant d'essayer d'installer et d'utiliser votre souffleuse à neige. Bien gardez ce manuel pour aussi attirer l'attention sur les dommages du générateur ainsi que servir à service de l'exploitation et du entretien.

QUESTIONS? PROBLEMS?

Afin de répondre aux questions et résoudre les problèmes, la manière plus efficace et rapide, contactez notre service après-vente au 800-791-9458, lun-ven 9am-5pm ou par e-mail: support@amerisuninc.com.

CONCERNANT LES ÉMISSIONS

Les gaz de combustion contiennent des produits chimiques qui sont réputés pour provoquer selon certaines quantités des cancers, des fausses couches, ou d'autres problèmes de ce genre.

Si possible, recherchez les émissions pertinents, les périodes de durabilité et les informations sur l'état de l'air sur l'étiquette concernant les émissions de la machine.

CONSIGNES DE SÉCURITÉ



Vous devez lire et comprendre ce manuel avant de tenter d'assembler, d'utiliser ou d'installer le produit.

Warning!

Nos produits sont conçus et fabriqués pour correspondre à toutes les normes de sécurité de l'industrie. Un manquement à ces consignes pourrait entraîner une perte de contrôle de la machine, de sérieuses blessures ou même la mort, ou causer de dégâts matériels.

Vous devez lire, comprendre et suivre toutes les instructions, les consignes de sécurité et les mises en garde de manuel de ce manuel



ELEMENTS ROTATOIRES!

Ne pas nettoyer la chute avec les mains. Utilisez les outils de nettoyage fournis avec la machine.



Pour éviter blesser par les objets-jetés, ne déchargez pas aux passants ou objets.



Afin d'éviter les blessures, maintenez les autres personnes présentes ainsi que vous-même à l'écart de la vis et de la chute lorsque la machine fonctionne.

La Formation

Vous devez lire, comprendre et suivre toutes les instructions et les consignes de sécurité de ce manuel avant d'essayer d'installer et d'utiliser votre souffleuse à neige. Bien gardez ce manuel pour aussi attirer l'attention sur les dommages du générateur ainsi que servir à service de l'exploitation et du entretien.

- Familiarisez-vous complètement avec les commandes et l'utilisation appropriée de cet équipement. Sachez comment débrayer les commandes et arrêter la machine rapidement.
- Ne permettez jamais à des enfants de moins de 14 ans de se servir de la machine. Des adolescents plus âgés doivent lire la notice d'utilisation, bien comprendre le fonctionnement de la machine et respecter les consignes de sécurité. Ils doivent apprendre à utiliser la machine et s'en servir sous la surveillance étroite d'un adulte.
- Ne laissez jamais les adultes utiliser la machine sans rappeler les consignes de sécurité.
- Des débris rejetés peuvent sérieusement blesser une autre personne présente.
- Tenez les personnes, et en particulier les petits enfants et les animaux à l'écart de la zone de traitement. Soyez vigilant et éteignez la machine si des personnes entrent dans la zone de traitement.
- Agissez avec prudence afin d'éviter de glisser ou de tomber en particulier lorsque vous reculez.

PRÉPARATION

Inspectez complètement la zone de traitement et enlevez les pailleçons, les luges, les planches, les câbles et tous les autres objets étrangers à l'équipement.

- Portez toujours des lunettes de sécurité ou un masque de protection pendant la manoeuvre de la machine ou pendant son réglage ou sa réparation afin de protéger les yeux contre des objets étrangers qui pourraient être rejetés par la machine.
- Portez des vêtements appropriés - Les bottes en caoutchouc offrent une protection supplémentaire contre les chocs électriques. Ne portez pas des vêtements amples ou des bijoux susceptibles de se prendre dans la machine. Portez un protège-tête afin de maintenir vos cheveux à l'écart des parties tournantes de la machine. Des lunettes de sécurité offrent une meilleure protection que des lunettes ordinaires.
- Utilisez une rallonge avec fil de terre (3 fils).
- Réglez la hauteur du carter du collecteur pour enlever les graviers ou les surfaces pierreuses accidentées.
- Débrayer toutes les commandes avant de mettre le moteur en marche.
- N'essayez jamais de faire les ajustements tandis que le moteur tourne, sauf que expressément recommandé dans le manuel de l'opérateur.
- Laissez le moteur et la machine s'habituer à la température extérieure avant de commencer à déblayer .

Sécurité personnelle

- Ne faites jamais fonctionner la machine dans un local clos ou mal aéré car les gaz d'échappement du moteur contiennent du monoxyde de carbone, un gaz inodore très dangereux.
- Assurez-vous de lire et de bien comprendre toutes les instructions qui figurent sur la machine et dans la notice d'utilisation avant d'assembler la machine et de la mettre en marche..
- Conservez cette notice d'utilisation à un endroit sûr pour toute consultation ultérieure et pour commander des pièces de rechange.
- Restez vigilant, concentrez-vous sur ce que vous êtes en train de faire et faites preuve de bon sens lorsque vous vous servez de la souffleuse.
- N'utilisez pas la machine lorsque vous êtes fatigué, malade ou sous l'influence d'une drogue, de l'alcool ou d'un médicament. Un moment d'inattention peut entraîner un accident corporel grave.
- Ne laissez jamais la machine en marche sans surveillance. Arrêtez le moteur.
- Ne laissez pas la souffleuse jusqu'à ce qu'il a fait un arrêt complet.
- Soyez toujours prudent pour ne pas glisser ou tomber surtout en reculant.

SERVICE

- Arrêtez le moteur avant de faire des ajustements. Vérifiez le désalignement, bris ou contraignant de pièces mobiles et toutes conditions pouvant affecter le fonctionnement.
- Si la machine est endommagée, elle doit être remplacée par le fabricant, toute personne qualifiée pour éviter tout risque.

MANIPULATION DE L'ESSENCE

L'essence et les vapeurs d'essence sont extrêmement inflammables et explosives. Un incendie ou une explosion peut entraîner des blessures très graves ou même la mort. Si de l'essence s'est répandue sur les vêtements, changez-les immédiatement.

- Utiliser seulement un conteneur de l'essence approuvé.
- Éteindre toutes les cigarettes, cigares tuyaux et autres sources d'inflammation.
N'utilisez pas la machine à l'intérieur d'un bâtiment.
- Ne remplissez jamais le réservoir lorsque le moteur est chaud ou en marche.
- Laissez le moteur fonctionner pendant deux minutes avant ravitaillement.
- Évitez de trop remplir le réservoir de carburant.
- Revissez le bouchon du réservoir à fond et essuyez l'essence répandue.
- Si de l'essence s'est répandue, n'essayez pas de démarrer la machine mais déplacez-la de la zone et évitez de créer une source d'inflammation jusqu'à ce que les vapeurs d'essence se soient dissipées.
- Ne rangez jamais la machine avec de l'essence dans le réservoir dans un bâtiment où il existe des sources d'inflammation tels que les chaudières et les chauffe-eau, ou les sèche-lignes.
- Laissez la machine refroidir minimum de 5 minutes avant de la ranger dans un endroit clos.
- Ne remplissez jamais des récipients à l'intérieur d'un véhicule, d'un camion ou d'une remorque avec une bâche en plastique. Placez toujours les récipients sur le sol, loin des véhicules, avant de les remplir.
- Si cela est plus pratique, enlevez les appareils fonctionnant à l'essence du camion ou de la remorque et remplissez-les à même le sol.
- Si ce n'est pas possible, alors remplissez avec un récipient portable plutôt qu'à partir du gicleur du distributeur de carburant
- Maintenez le gicleur en contact avec le bord du réservoir de carburant ou l'ouverture du récipient jusqu'à ce que le remplissage soit complet. N'utilisez pas un outil de fermeture de gicleur.

Utilisation

- Ne placez jamais vos mains ou vos pieds près d'une pièce en mouvement, dans l'habitacle de la tarière ou de la turbine ou dans la goulotte d'éjection. Les pièces en mouvement peuvent amputer mains et pieds.
- La manette de commande de l'ensemble de la tarière et de la turbine est un dispositif de sécurité. Ne contournez jamais son rôle, ce qui rendrait dangereux l'emploi de la machine et pourrait causer des blessures corporelles.
- Toutes les manettes de commande doivent fonctionner facilement dans les deux directions et revenir automatiquement à la position de débrayage lorsqu'elles sont relâchées.
- Ne travaillez jamais sans la goulotte d'éjection ou si elle est endommagée. Laissez tous les dispositifs de sécurité en place et assurez-vous qu'ils sont en bon état.
- Ne faites jamais fonctionner la machine dans un local clos ou mal aéré car les gaz d'échappement du moteur contiennent du monoxyde de carbone, un gaz inodore très dangereux.
- Ne vous servez pas de la machine après avoir bu des boissons alcoolisées ou après avoir pris des médicaments.
- Le silencieux et le moteur deviennent très chauds et peuvent causer des brûlures. Ne les touchez pas. Maintenez les enfants à l'écart.
- Soyez extrêmement prudent à proximité des routes, allées ou chemins en gravier. Faites attention aux dangers non évidents et à la circulation.
- Faites très attention en changeant de direction et en travaillant sur une pente.
- Prévoyez de travailler en évitant de projeter la neige vers des fenêtres, murs, voitures, etc.. car les débris peuvent ricocher et causer des blessures graves ou des dégâts matériels.
- Ne dirigez jamais la neige vers des enfants, des spectateurs et des animaux de compagnie et ne permettez jamais à quiconque de se tenir devant la machine.
- Ne fatiguez pas la machine en essayant de déblayer la neige trop rapidement.
- N'utilisez pas la machine si la visibilité est mauvaise ou si la lumière est insuffisante. Gardez toujours un bon équilibre et tenez fermement le guidon. Marchez, ne courez pas.
- Débrayez la commande de l'ensemble de la tarière et de la turbine pour transporter la machine et lorsqu'elle n'est pas utilisée.

- Ne déplacez jamais rapidement la souffleuse sur des surfaces glissantes. Soyez prudent en reculant.
- Arrêtez le moteur, débranchez le fil de la bougie et mettez-le à la terre contre le moteur si la machine commence à vibrer de façon anormale. Vérifiez que la machine n'est pas endommagée. Réparez tout dégât éventuel avant de la remettre en marche.
- Débrayez toutes les commandes et arrêtez le moteur avant de quitter le poste de conduit.
- Attendez que la tarière/ turbine se soit complètement immobilisée avant de déboucher la goulotte d'éjection, de faire un ajustement quelconque ou d'examiner la machine.
- Ne placez jamais vos mains dans la goulotte d'éjection ou près de l'admission. Utilisez toujours l'outil fourni pour déboucher la goulotte d'éjection. Ne déboucher pas la goulotte d'éjection pendant que le moteur tourne.
- N'utilisez que des accessoires homologués par le fabricant de la machine. Veuillez lire attentivement, bien comprendre et suivre les instructions fournies avec les accessoires homologués.
- Lorsque vous démarrez le moteur, tirez le cordon lentement jusqu'à ce que la résistance soit ressentie. Puis le tirez rapidement. Le retrait rapide du cordon de démarrage (contrecoup) tirera la main et le bras vers le moteur plus vite que vous ne pouvez lâcher prise, d'où pourraient résulter les os cassés, les fractures, les ecchymoses ou les entorses..
- Faites toujours preuve de bon sens dans des situations qui n'ont pas été abordées dans cette notice d'utilisation. Adressez-vous au concessionnaire ou appelez pour obtenir de l'aide et le nom du concessionnaire le plus proche de chez vous.

ENTRETIEN ET REMISAGE

- Ne modifiez jamais les dispositifs de sécurité. Vérifiez souvent qu'ils fonctionnent correctement. Consultez le chapitre Réglages dans la notice d'utilisation de la machine.
- Débrayez toutes les commandes et arrêtez le moteur avant de nettoyer, de réparer ou d'examiner la machine.
- Attendez que la tarière/turbine se soit complètement immobilisée. Débranchez le fil de la bougie et mettez-le à la terre contre le moteur pour empêcher tout démarrage accidentel.
- Vérifiez régulièrement que les boulons et vis sont bien serrés et maintenez la machine en bon état de marche. Examinez soigneusement la machine pour vous assurer qu'elle n'est pas endommagée et n'a pas besoin d'être réparée.
- Ne modifiez pas le réglage du régulateur et ne laissez pas le moteur s'emballer, ce qui peut être dangereux.
- Les plaques de raclage et les patins de la souffleuse s'usent avec l'usage. Par mesure de sécurité, vérifiez souvent tous les composants et remplacez-les par des pièces authentiques seulement. L'utilisation de pièces qui ne sont pas conformes aux spécifications de l'équipement d'origine peuvent donner lieu à de mauvaises performances et compromettre la sécurité de l'utilisateur.
- Vérifiez fréquemment que les commandes fonctionnent bien et faites les réglages nécessaires. Consultez le chapitre Réglages dans la notice d'utilisation de la machine.
- Prenez soin des étiquettes de sécurité et d'instructions et remplacez-les au besoin.
- Respectez les règlements concernant l'élimination des déchets et liquides qui risquent de nuire à la nature et à l'environnement.
- Laissez la machine fonctionner pendant quelques minutes pour éliminer la neige de la tarière et éviter que l'ensemble de la tarière et de la turbine ne gèle avant de remiser la souffleuse.
- Ne remisez jamais la machine ou les bidons d'essence à l'intérieur s'il y a une flamme, une étincelle ou une veilleuse(d'un chauffe-eau, un radiateur, un fourneau, un sèche-ligne ou autre appareil à gaz).
- Consultez toujours la notice d'utilisation quant aux instructions de remisage hors-saison.
- Vérifiez fréquemment que les commandes fonctionnent bien et faites les réglages nécessaires. Consultez le chapitre Réglages dans la notice d'utilisation de la machine.
- Do not crank engine with spark plug removed.
- La machine est capable d'amputer des mains ou des pieds et de rejeter des objets. Lisez ces consignes de sécurité et suivez-les à la lettre. Un manquement à ces consignes pourrait entraîner une perte de contrôle de la machine, de sérieuses blessures ou même la mort, ou causer des dégâts matériels.

NETTOYAGE

1. Pour nettoyer la souffleuse à neige, utilisez un chiffon humide et un détergent doux uniquement sur les surfaces. Ne obtenez jamais du savon ou de l'eau à l'intérieur des mécanismes de travail de votre souffleuse à neige.

Remarque: Ne pas nettoyer avec de l'eau. L'eau va geler cause de la température et endommager la machine.

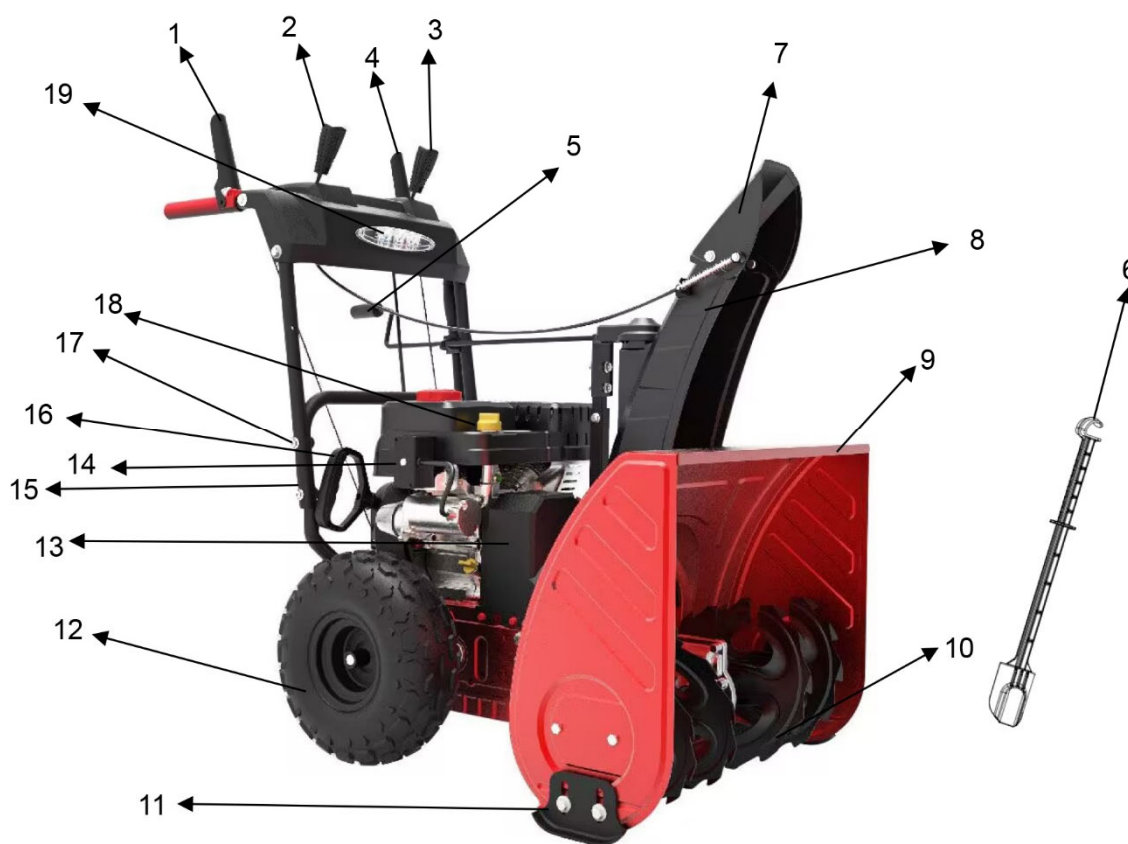
2. Nettoyez la souffleuse à neige de la neige et l'accumulation de glace avant de le ranger ou le transport. Assurez-vous de fixer l'appareil pendant le transport.
3. Inspecter le la souffleuse à neige soigneusement pour les pièces usées, desserrées ou endommagées. Vérifier les connexions et les vis et serrer si nécessaire.

NE MODIFIEZ PAS LE MOTEUR

Ne modifiez pas le réglage du régulateur et ne laissez pas le moteur s'emballer, ce qui peut être dangereux. Choisissez la vitesse la mieux adaptée aux conditions. Ne touchez jamais à usine de moteur gouverneur.

CONNAISSANT DE VOTRE SOUFFLEUSE À NEIGE

Vous devez lire et comprendre ce contenu de l'emballage ci-dessous, suivez soigneusement toutes les instructions.



- | | | | |
|---|--|----|--------------------------------|
| 1 | Levier de contrôle de l'entraînement | 10 | Lame de tarière |
| 2 | Contrôle de déflecteur de goulotte | 11 | Chaussure antidérapante |
| 3 | Vitesse de transmission /Contrôle de l'engrenage | 12 | Pneu de roue |
| 4 | Levier de contrôle de la tarière | 13 | Couverture de ceinture |
| 5 | Poignée de rotation de la goulotte | 14 | Bouton de démarrage électrique |
| 6 | Outil de nettoyage Déflecteur de | 15 | Poignée inférieure |
| 7 | Déflecteur de goulotte de décharge e | 16 | Poignée de démarrage de recul |
| 8 | Goulotte de décharge | 17 | Poignée de noix |
| 9 | Carter de tarière | 18 | Jauge d'huile |
| | | 19 | Lumière |



20	Levier d'étranglement	22	Commutateur à clé
21	Ampoule primaire	23	Capuchon du réservoir de carburant

Poignée de Conduire

Sur le côté droit de la poignée supérieure, la poignée de Conduire est utilisé pour engager et désengager les pneus. Presser la poignée contre la poignée supérieure pour engager les pneus; relâchez pour désengager.

Levier de Changement de Vitesse

Le Levier de Changement de Vitesse est situé dans le gauche du panneau et est utilisé pour régler la vitesse et la direction. Il peut être transféré en tout de huit postes. (six vitesses avant et deux vitesses arrière)

Poignée de la Vrille

Sur le côté gauche de la poignée supérieure, la poignée de la Vrille est utilisée pour engager et désengager les tarières. Presser la poignée de la Vrille pour engager les tarières; relâchez pour dégager les tarières

Poignée de Rotation de la Chute

Pour régler la direction de décharge de la neige, tourner la poignée dans un sens ou dans le sens inverse.

Patins du Ski

Installez les patins sur la base des états de surface. Vers le haut fournit la neige tassée. Vers le bas sur les surfaces le gravier ou la pierre concassée.

Vrilles et Impelleur

Lorsque le chasseur de neige démarre, les tarières tournent et coupent de la neige et la dirigent vers le carter de la turbine pour que la neige soit déchargée de la goulotte

Outil de Nettoyage

AVERTISSEMENT! Ne dégagez jamais la neige ou la glace près de la tarière ou dans la goulotte à la main. Arrêtez la machine, enlevez la clé et débranchez le câble de la bougie d'allumage avant de nettoyer la chute ou d'effectuer le travail d'entretien. Conservez les mains à l'écart du rotor et des pièces mobiles

Lumière LED

Située à l'avant du panneau, cette fonctionnalité fournit un éclairage supplémentaire pour une visibilité accrue.

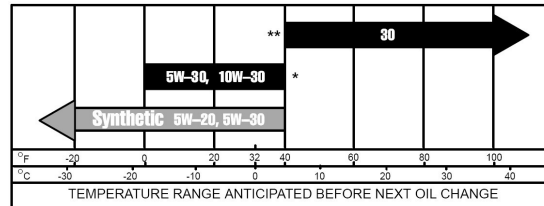
PRÉPARATION DE LA SOUFFLEUSE À NEIGE

AJOUTER DE L'HUILE

La souffleuse à neige est expédiée sans huile. L'utilisateur doit ajouter la quantité d'huile appropriée avant d'utiliser la souffleuse à neige pour la première fois. La capacité d'huile du carter du moteur est de 20.29 fl. oz. Pour une utilisation générale, nous recommandons 5W-30 d'huile moteur à quatre courses.

RECOMMANDATIONS D'HUILE MOTEUR

Sélectionnez l'huile détergente de bonne qualité portant les classifications des services de l'Institut Pétrolier Américain (API) : SJ, SL ou SM (huiles synthétiques peuvent être utilisées). Utilisez la teneur en huile de viscosité ASE dans le tableau suivant qui correspond à la température de départ prévue avant le prochain changement d'huile.



Pour ajouter de l'huile, procédez comme suit :

1. Assurez-vous que la souffleuse à neige est sur une surface plane. Si vous inclinez la souffleuse à neige pour aider au remplissage, l'huile débouchera dans les zones du moteur et ce qui causera des dégâts. Gardez le niveau de la souffleuse à neige !
2. Retirez la jauge du moteur.
3. Ajoutez de l'huile lentement pour que l'huile ne déborde pas de l'unité.
4. Pour vérifier le niveau d'huile, essuyez la jauge avec un chiffon propre. Insérez la jauge dans l'ouverture de remplissage d'huile sans la visser. Retirez la jauge pour vérifier la marque d'huile.
5. Ajoutez lentement plus d'huile et répétez l'étape 4 jusqu'à ce que la marque d'huile atteigne le haut de la jauge. Ne pas déborder le carter du vilebrequin.
6. Vérifier s'il y a des fuites d'huile. Serrez fermement la jauge.



AJOUTER DE L'ESSENCE

Utilisez de l'essence fraîche (pendant les 30 jours à partir de l'achat), sans plomb avec un indice d'octane de 87 au minimum. Ne mélangez pas d'huile avec de l'essence.

Pour ajouter de l'essence, procédez comme suit :

1. Assurez-vous que la souffleuse à neige est sur une surface plane.
2. Dévissez le bouchon du réservoir d'essence et le mettez de côté. REMARQUE : le bouchon de carburant peut être serré et difficile à dévisser.
3. Ajoutez lentement de l'essence sans plomb au réservoir d'essence. Veillez à ne pas déborder le réservoir. La capacité du réservoir d'essence est de 0.5 gallon. REMARQUE : Ne pas remplir le réservoir d'essence jusqu'au haut du réservoir. L'essence se dilatera et se répandra pendant son utilisation, même si le bouchon de carburant est en place.
4. Réinstallez le bouchon de carburant et essuyez tout essence renversée avec un chiffon sec.

IMPORTANT :

- Ne jamais utiliser le mélange d'huile / d'essence.
- Ne jamais utiliser de vieille essence.
- Évitez la saleté ou de l'eau dans le réservoir d'essence.
- L'essence peut vieillir dans le réservoir et rendre le démarrage difficile. Ne jamais déposer la souffleuse à neige pendant de longues périodes avec du carburant dans le réservoir ou le carburateur.

REMARQUE : après avoir terminé la préparation ci-dessus, le moteur est prêt à démarrer.

AVERTISSEMENT! Maintenez la zone de travail exempte de tout corps étranger susceptible d'être éjecté par les lames du rotor. Inspectez minutieusement la zone à déneiger car certains corps étrangers peuvent être dissimulés par la neige. Si la souffleuse heurte un obstacle et entraîne un corps étranger, arrêtez-la, débranchez la rallonge, retirez l'obstacle et vérifiez si la machine est endommagée.

Réparez ou remplacez toute pièce endommagée avant de redémarrer et de réutiliser la souffleuse.

- Maintenez les enfants, les animaux domestiques et les passants à l'écart de la zone de travail. Gardez à l'esprit qu'il peut être difficile d'entendre une personne approcher en raison du bruit engendré par la machine lorsque celle-ci fonctionne
- Commencez par déneiger la zone proche de la prise électrique et éloignez-vous en petit à petit en éjectant la neige dans un mouvement de va-et-vient. Pour déneiger dans la direction opposée, passez par-dessus le cordon et faites pivoter la souffleuse sur ses roues. Veillez à ce que les chemins dégagés se chevauchent.
- Tenez compte de la direction du vent. Déplacez-vous autant que possible dans le même sens que le vent de manière à ce que la neige ne soit pas éjectée contre le vent et ne retombe ni sur vous ni sur la partie que vous venez juste de dégager.

AVERTISSEMENT! Ne jamais diriger le conduit d'éjection de la neige en direction de l'utilisateur, des passants, des véhicules ou des fenêtres. La neige et les corps étrangers accidentellement entraînés par la souffleuse peuvent provoquer d'importants dégâts et des blessures corporelles graves en retombant. Ne débouchez pas le conduit d'éjection à la main. Arrêtez le moteur avant d'ôter tout débris.

- N'appliquez pas une charge supplémentaire d'origine humaine au moteur car cela pourrait endommager le moteur.
- Certaines pièces de la souffleuse peuvent geler dans des conditions extrêmes de température. N'essayez pas de faire fonctionner la souffleuse lorsque des pièces sont gelées. Si des pièces gèlent pendant que la souffleuse est en marche, arrêtez la souffleuse, débranchez la rallonge et inspectez les pièces gelées. Dégagez toutes les pièces gelées avant de redémarrer ou d'utiliser la souffleuse. Ne forcez jamais des commandes gelées.

Pré-opération d'inspection - **IMPORTANT !!!**

Pour la première fois que vous utilisez la souffleuse de neige, vérifiez les points suivants:

- Avez-vous lu et suivi toutes les procédures d'installation et de fonctionnement pour le moteur comme ?
- Est-ce que le moteur rempli d'huile et d'essence au niveau approprié?
- Tous les composants de la souffleuse de neige sont correctement fixés et assemblés?
- Y a-t-il des pièces cassées ou endommagées?
- toutes les attaches sont-ils serrés?
- Les pneus sont gonflés à la pression approprié?

REMARQUE: Si vous n'êtes pas sûr que le travail que vous êtes sur le point d'effectuer peut être fait en toute sécurité avec l'équipement que vous avez choisi, contactez notre service clientèle au 800-791-9458.

VIS SANS FIN ET CONTRÔLE DE L'ENTRAÎNEMENT

1. Engagez la vis sans fin, appuyez sur la poignée de la vrille (la poignée du côté gauche).
2. Engagez le lecteur, appuyez sur la poignée de commande d'entraînement (la poignée du côté de droite). La machine doit commencer dans la direction et la vitesse que le levier de changement de vitesse est réglé.
3. Lorsque vous avez terminé frayant un chemin de neige, relâchez la poignée de la vrille et la poignée de l'entraînement.

AVERTISSEMENT: Release (désengagement) de la vis sans fin et le contrôle d'entraînement gère avant de régler le levier de changement de vitesse d'entraînement. Ne changer jamais la vitesse d'entraînement pendant que la machine est en mouvement, il pourrait endommager le mécanisme d'entraînement et annuler la garantie.

LE LEVIER DE CHANGEMENT DE VITESSE

Utilisez le levier de changement de vitesse pour contrôler la vitesse de la souffleuse. Il y a huit (8) selections: six (6) vitesses d'avancement et deux (2) vitesses de recul. 1 est la vitesse d'avancement la plus lente et 6 est la vitesse d'avancement la plus rapide. R1 est la vitesse de recul la plus lente et R2 est la vitesse de recul la plus rapide.

REMARQUE: Il n'y a pas de réglage d'entraînement neutre depuis la poignée de commande d'entraînement doit être engagé pour le mouvement. Neutre est atteint lorsque la poignée de commande d'entraînement est désengagé.



AJUSTEMENT ÉVACUATION DE DIRECTION DE LA CHUTE



AVERTISSEMENT- Ne jamais diriger le conduit d'éjection de la neige en direction de l'utilisateur, des passants, des véhicules ou des fenêtres. La neige éjectée et les corps étrangers

accidentellement entraînés par la souffleuse peuvent provoquer d'importants dégâts et des blessures corporelles graves en retombant. Le conduit d'éjection permet un réglage de l'orientation du conduit sur 180 degrés. Tournez la manivelle dans le sens des aiguilles d'une montre pour orienter le conduit d'éjection vers la gauche et dans le sens contraire des aiguilles d'une montre pour orienter le conduit d'éjection vers la droite.

AJUSTEMENT DE DIRECTION DE DÉCHARGE DE GOULOTTE



AVERTISSEMENT - Ne dirigez jamais la goulotte d'évacuation de la neige vers l'opérateur, les personnes présentes, les véhicules ou les fenêtres à proximité. La neige déversée et les objets étrangers accidentellement capturés par le chasseur de neige peuvent causer des dommages graves et des blessures corporelles sévères. Toujours pointez la goulotte d'évacuation dans la direction opposée à aucun danger potentiel. Vous pouvez ajuster la goulotte d'évacuation de 180 ° en tournant la poignée de rotation de la goulotte. Tournez la poignée de rotation de la goulotte dans le sens des aiguilles d'une montre pour déplacer la goulotte d'évacuation vers la droite; dans le sens inverse des aiguilles d'une montre pour déplacer la goulotte vers la gauche.

RÉGLAGE DES PATINS

Ajustement des patins définit la hauteur au-dessus du sol à laquelle la plaque de rasage tarière fonctionne. Pour le déneigement de béton, d'asphalte et autres surfaces lisses, fixer la plaque de rasage tarière par conséquent la plaque inférieure est juste au-dessus du sol.

Pour le déneigement du gravier, de la saleté, et d'autres surfaces rugueuses fixer la plaque de rasage tarière légèrement au-dessus du sol pour éviter la saleté et le gravier de pénétrer dans la vis sans fin. La hauteur optimale du plateau varie en fonction du type de surface à effacer. Surfaces avec grande gravier ou de pierres nécessitent un réglage plus élevé de la plaque de rasage.

1. Déplacez la souffleuse à neige à une surface lisse, solide et plane.
2. Placez un panneau d'espacement sur le sol sous la plaque de rasage tarière entre les patins. L'épaisseur de la planche doit être la même hauteur au-dessus du sol que vous voulez soulever la plaque de rasage tarière. Les patins ne touchent pas la carte.
3. Avec les deux écrous desserrés permettent le patin à glisser sur le sol puis serrer les écrous pour fixer le patin

FONCTIONNEMENT DE LA SOUFFLEUSE À NEIGE

DÉMARRAGE MANUEL DU MOTEUR

Pour démarrer manuellement le moteur, procédez comme suit :

1. Vérifiez les niveaux d'huile et de carburant.
2. Déplacez le levier du starter vers la position « CLOSE ».
3. Assurez-vous d'insérer la touche de l'interrupteur.
4. Appuyez sur l'amorce pour 3 fois.
5. Tirez lentement la poignée du démarreur de recul jusqu'à ce qu'une légère résistance soit ressentie, puis tirez rapidement pour démarrer le moteur. Remettez le cordon doucement dans le démarreur de recul. N'autorisez jamais le cordon à reculer.
6. Si le moteur ne parvient pas à démarrer, répétez l'étape 4. REMARQUE : après avoir échoué plusieurs fois pour démarrer le moteur, consultez le guide de dépannage avant de tenter à nouveau. Si les problèmes persistent, appelez le service pour la clientèle.
7. Une fois le moteur démarré, retournez lentement le levier du starter jusqu'à la position « OPEN ».
8. Laissez le moteur tourner pendant plusieurs minutes avant de tenter de nettoyer la neige. Cela permet au moteur de stabiliser sa vitesse et sa température.

DÉMARRAGE ÉLECTRIQUE DU MOTEUR

Pour démarrer le moteur à l'aide de la fonction de démarrage électrique, procédez comme suit :

1. Vérifiez les niveaux d'huile et de gaz.
2. Déplacez le levier du starter à la position « CLOSE ».
3. Assurez-vous d'insérer la touche de l'interrupteur.
4. Appuyez sur l'amorce pour 3 fois.
5. Branchez le cordon d'alimentation au moteur de démarrage.
6. Appuyez sur le bouton de démarrage pendant 2 à 3 secondes ou jusqu'à ce que le moteur démarre. REMARQUE : si le moteur ne démarre pas après 2 ou 3 secondes, relâchez le bouton de démarrage.
7. Si le moteur ne parvient pas à démarrer, attendez 10 secondes, puis répétez l'étape 6. REMARQUE : après des tentatives répétées de démarrage du moteur, consultez le guide de dépannage avant de tenter à nouveau. Si les problèmes persistent, appelez le service pour la clientèle.
8. Une fois le moteur démarré. Retourner lentement le levier du starter jusqu'à la position « OPEN ».
Laissez le moteur tourner pendant plusieurs minutes avant de tenter de nettoyer la neige

DÉNEIGEMENT

Laissez le moteur se réchauffer pendant plusieurs minutes avant utilisation. Assurez-vous de l'absence de personnes, en particulier les enfants, et d'animaux domestiques sur la zone de travail.

Le conduit d'éjection doit toujours être orienté dans la direction opposée à celle de l'endroit où se trouvent l'utilisateur, les passants ou les fenêtres et les véhicules environnants.

Tournez la poignée rotation de la chute dans le sens horaire ou antihoraire jusqu'à ce que la position désirée soit atteinte.

AVERTISSEMENT! Ne dirigez jamais la neige vers des enfants, des spectateurs et des animaux de compagnie et ne permettez jamais à quiconque de se tenir devant la machine. Alors que la neige peut sembler inoffensif, il peut contenir des roches ou autres débris qui peuvent causer des blessures graves lorsqu'elles sont projetées à travers la chute.

1. Engagez / appuyez sur la poignée de la vrille pour démarrer les tarières et impulseur tournant.
2. Réglez la direction et la vitesse par le levier de changement de vitesse.
3. Engagez / appuyez sur la poignée de commande d'entraînement et de diriger la souffleuse à neige dans la neige à effacer.

ATTENTION: Ne pas changer de position de vitesse pendant que le lecteur est engagé. Dégager la poignée de commande de variateur avant de modifier les vitesses ou les directions. Si la neige est plus profonde que la hauteur de la tarière, retirez-le en plusieurs étapes qui se chevauchent plus étroites. Faire plusieurs passes avec la vis sans fin qui se chevauchent les zones défrichées et de réduire la vitesse d'avancement.

Pour le nettoyage efficace, effacez la neige avant qu'elle fonde, regèle et durcisse. La neige mouillée et mouillée peut être très difficile à effacer.

Effacement de la neige lourde mouillée peut être un défi, selon la température ambiante, le taux d'humidité, et les conditions générales du climat, y compris les conditions de neige actuelles, il peut y avoir aucune solution à 100% sous forme de neige peut être trop humide ou compacté à déplacer ou à jeter. La neige mouillée aura tendance à obstruer et coller davantage aux tarières et goulottes. Gardez la tarière engagée autant que possible pour dégager la neige mouillée pour aider à prévenir le colmatage. **AVERTISSEMENT!** Si la neige est remplie de matières étrangères, des dommages à la souffleuse à neige peut entraîner. Évitez la neige avec des matériaux étrangers.

ARRÊT

Lorsque vous avez terminé d'utiliser votre Souffleuse à Neige, effectuez les étapes suivantes pour l'éteindre.

1. Faire fonctionner la souffleuse à neige pendant 30 seconds pour faire fondre la neige sur la souffleuse.
2. Arrêtez la tarière en relâchant la poignée de commande gauche.
3. Assurez-vous que l'interrupteur est en position OFF avant de brancher la souffleuse.
4. Effacer la neige sur toutes les surfaces souffleuse à neige, y compris le cadre de la tarière et des zones de chute.

RESTRICTIONS DE NETTOYAGE

Si la goulotte de décharge de neige ou le carter de la tarière est obstrué, Retirez la clé de sécurité du moteur arrêtez le moteur et assurez-vous que toutes les pièces tournantes sont complètement arrêtées. Utilisez l'outil de nettoyage de neige fourni pour dégager l'obstruction. Après le décolmatage, essuyez l'outil de nettoyage et placez-le dans le support au-dessus du carter de la tarière. **REMARQUE:** La broche de guidage de la ceinture aide à maintenir la courroie dans la poulie lorsque la courroie est débrayé. La broche ne doit pas être serré à la ceinture. La broche doit être suffisamment lâche pour permettre à la courroie de tourner librement, mais pas laisser la ceinture de sauter hors de la poulie.

1. Connectez le câble supérieur à la poignée de la Vrille.
2. Installez le couvercle de ceinture à l'aide de 2 vis à bout hexagonale.

AVERTISSEMENT! Vérifiez que le couvercle de la courroie est installé et toutes les protections de sécurité sont en place avant le démarrage du moteur et à tout moment lorsque le moteur ou de la machine fonctionnent.

ENTRETIEN

ATTENTION! Ne effectuez jamais la maintenance pendant que la souffleuse à neige est en marche. Tournez OFF le moteur en enlevant la clé d'interrupteur avant d'effectuer toutes les tâches principales sur votre lance-neige

Bien entretenez de la Souffleuse à Neige contribuera à prolonger sa durée de vie. Effectuez les opérations suivantes les procédures de maintenance requises.

Ne tenter pas de réparer la Souffleuse à Neige sauf si vous avez les outils et les instructions appropriées pour le démontage et la réparation.

Vérifiez les boulons fréquents pour une bien étanchéité et pour garantir que l'équipement est en bon état de marche.

Faire fonctionner la souffleuse à neige pendant quelques minutes pour faire fondre la neige sur la souffleuse. Arrêter la souffleuse. Mettez l'interrupteur de la souffleuse sur OFF et débrancher le câble d'alimentation avant de procéder à une vérification, à l'entretien, à une réparation ou au nettoyage de la souffleuse. Dans tous les cas, attendez que toutes les parties tournantes à l'intérieur de la souffleuse soient complètement immobiles

PROCÉDURES D'ENTRETIEN

GONFLER LES PNEUS

Avant chaque utilisation de la souffleuse à neige, vérifiez la pression des pneus. La pression de chaque pneu doit être dans la gamme de 20-24 psi pour la meilleure performance. La pression des pneus peut être vérifiée par un manomètre. Gonflez les pneus en utilisant un compresseur d'air ou petite pression régulée.

AVERTISSEMENT! NE PAS TROP-Gonfler les pneus. Over-gonflage peut causer un pneu éclater et causer

des blessures graves.

REPLACEMENT DE RACLOIR

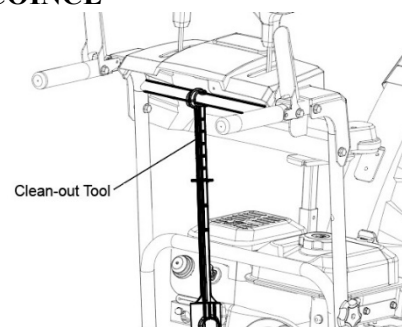
Retirer les deux patins et du matériel, y compris les boulons de carrosserie et les écrous qui fixent la raclure au logement souffleur à neige. Remontez nouvelle raclure, en veillant à ce que les têtes des boulons de carrosserie soient à l'intérieur du cadre de la vis sans fin. **LA TARIÈRE OU LA TURBINE SE COINCE**

ATTENTION ! La tarière et la turbine tournent à la vitesse rapide qui peuvent causer des dommages ou même une amputation aux parties du corps d'une personne. Même si vous ne voyez pas la tarière ou la turbine tourner, elle peut commencer à tout moment si le moteur tourne. Retirez la clé de sécurité avant de nettoyer les confitures. L'outil de nettoyage de la goulotte est fixé au tube supérieur.

AVERTISSEMENT !

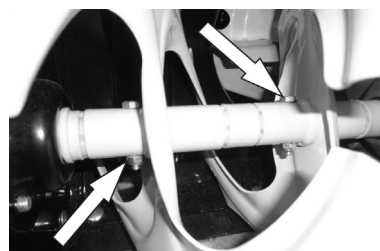
1. Arrêtez le moteur avant d'ôter tout débris
2. Conservez les mains et les pieds à l'écart de la vis et des pièces mobiles
3. Ne portez pas de vêtements amples qui peuvent se prendre dans les pièces en rotation.
4. Attendez jusqu'à ce que la vis sans fin et le propulseur arrêtent complètement.
5. Utilisez l'outil de nettoyage pour enlever l'encrassement.

AVERTISSEMENT! N'UTILISEZ PAS vos mains.



REPLACEMENT DE GOUPILLES DE CISAILLEMENT

Goupilles de cisaillement sont utilisés pour fixer l'arbre de vis sans fin à la lame de tarière. Arrêter le moteur en enlevant la clé de sécurité. Un sabot ou un bloc dans les tarières peuvent provoquer une ou plusieurs goupilles de cisaillement à briser. Les goupilles de cisaillement sont un mécanisme de sécurité et conçu pour se rompre sous une charge élevée ou de l'impact pour protéger le système d'entraînement de la vis sans fin contre les dommages. Remplacement des broches de cisaillement et écrous en nylon sont fournis avec la souffleur à neige. Si vous avez besoin d'aide, appelez notre service clientèle au 800-791-9458.



1. Coupez le moteur et attendez que toutes les pièces mobiles arrêtent complètement. Retirer les restes de la goupille de cisaillement cassée. Il peut être nécessaire de dévisser l'écrou de la goupille de cisaillement cassée et chasser la goupille cassée.
2. Insérez une nouvelle goupille de cisaillement à travers le trou dans l'arbre de la vis et serrer avec l'écrou de cisaillement broche de nylon. Ne pas trop serrer l'écrou de nylon.

REMARQUE: Ne jamais remplacer les goupilles de cisaillement avec des épingles ou des attaches standard. Des dommages peuvent survenir aux systèmes de la soufflage à neige et d'entraînement.

DÉPANNAGE

Prblème	Cause Possible	Solution
AVERTISSEMENT - Avant d'essayer de faire des inspections, réparations ou réglages, arrêtez le moteur, attendez que toutes les pièces mobiles pour arrêter de bouger et soigneusement débrancher le fil de bougie d'allumage du moteur. Si le basculement ou tourner la souffleur à neige est nécessaire pour toute inspection ou réparation, d'abord attendre que le moteur est froid au toucher et puis égouttez le moteur de tout le carburant et l'huile dans des récipients appropriés et de stocker ou d'en disposer dans un De manière appropriée.		
Systèmes de moteur - Remarque : Pour tous les problèmes de moteur, consultez les informations de dépannage ci-dessous.		
Le moteur ne	Moteur commutateur d'allumage en position OFF	Position allumage du moteur interrupteur sur ON

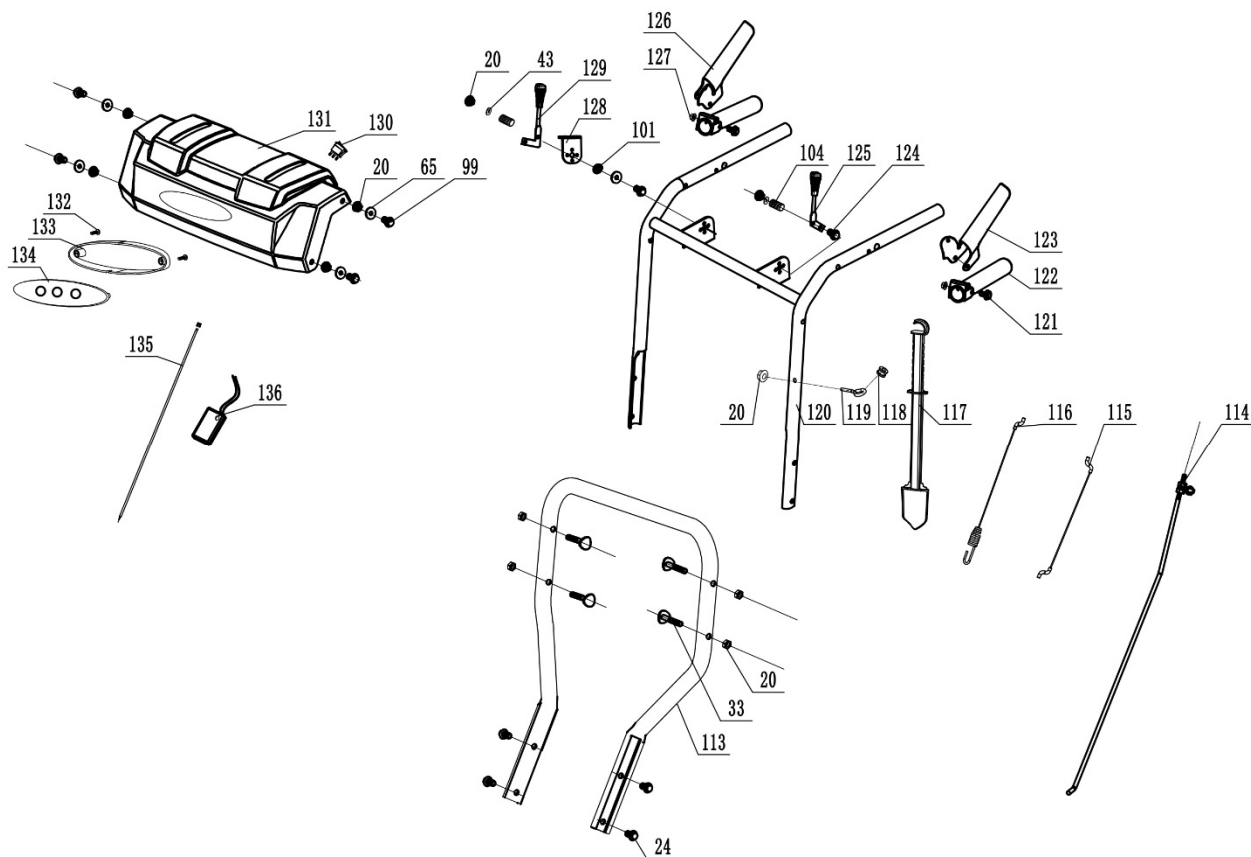
Le moteur ne démarre pas	démarre pas	fil de bougie d'allumage déconnecté	Raccordez le fil à la bougie
		Bougie défectueuse	Nettoyez, réglez espace, ou remplacez la bougie d'allumage.
		Moteur noyé avec du carburant	Cessez starter ou de l'utilisation primaire, nettoyez ou remplacez la bougie d'allumage.
		Clé de sécurité pas insérée dans l'allumage du moteur	Insérez la clé complètement dans le commutateur
		Pas en position START	Déplacez starter en position START, après le moteur démarre lentement déplacer en position RUN que la vitesse du moteur et le fonctionnement se stabilise à l'ensemble rpm. Si le moteur ne démarre toujours pas se déplacer à la moitié de starter et moteur de manivelle.
		Moteur pas apprêté avec du carburant	Moteur principale, voir manuel de moteur opérateur
		Carburant incorrect, vieux ou rassis, ne sera pas enflammer	Videz le réservoir et nettoyer le carburant et le carburateur, la recharge avec l'essence fraîche. (Remarque: le carburant peut être éventé après 30 jours dans certains cas)
	robinet d'arrêt de carburant en position OFF	Tournez le robinet d'arrêt à la position ON	
Démarreur électrique de moteur ne fonctionne pas		La rallonge ne est pas fixé correctement à la borne de démarreur électrique	Re-insert rallonge dans la borne de démarreur électrique.
		Pas d'alimentation de l'alimentation électrique, disjoncteur déclenché	Vérifier attachement de l'alimentation rallonge .
		Extension jauge de fil de cordon est trop petit ou le cordon est trop long	Utilisez une bonne note et l'extension de la longueur cordon, voir le Manuel d'utilisation du moteur
Le moteur tourne erratique, étals ou semble faible de énergie		STARTER à ON ou partielle sur ON	Déplacer le levier de STARTER à ON
		Carburant est incorrect, vieux ou rassis	Videz le réservoir et nettoyer le réservoir et le carburateur, le recharge avec l'essence fraîche. (Remarque: le carburant peut être éventé après 30 jours dans certains cas)
		Bloqué ou bouché système de carburant ou de la ligne	Fait propre à la système de carburant ou de la ligne
		Carburateur a besoin de nettoyer	Fait propre à la système de carburant et de le carburateur
		Bougie fil lâche	Connectez et serrez le fil de bougie
		Bougie défectueuse	Nettoyez, réglez espace, ou remplacez la bougie d'allumage, consultez le manuel de l'opérateur Moteur
		Huile moteur surchargé	Égouttez l'huile au niveau approprié. L'huile ne doit pas être au-dessus des 2 premiers fils de INFÉRIEUR bouchon de remplissage.
	huile de moteur à faible ou vide	Ajoutez de l'huile	
Drive system			
		La courroie d'entraînement lâche ou endommagé	Vérifiez la courroie d'entraînement poulie de tension pour la tension endommagée ou incorrecte, réparer si nécessaire. Remplacer la courroie d'entraînement.
		la roue d'entraînement de friction est usé ou endommagé	Remplacez la roue d'entraînement par friction

Pas de marche avant ou arrière lorsque la poignée d'entraînement engagé	Friction roue motrice humide ou glissant	Laissez souffleur à neige pour sécher et réchauffer ou ajuster le câble d'entraînement tension si nécessaire
	Roue à des broches d'essieux brisés ou manquants	Remplacez les broches de fixation des roues à l'essieu
Contrôle de la vitesse coincé dans les engins et ne change pas de vitesse	le levier de changement de vitesse lâche ou endommagée, ne bouge pas les câbles de commande de vitesse	Vérifiez le levier de changement de vitesse et câbles endommagés ou en vrac ou des pièces manquantes. Réparez ou remplacez les pièces nécessaires, assurez pivot stud tension du ressort est correcte, réglez la tension du ressort pivot d'écrou au besoin
	Les câbles de contrôle de vitesse lâche, endommagées ou liaison	Réparation, ajuster ou remplacer si nécessaire
Contrôle de la vitesse permet seulement 1 direction	Câbles de commande de vitesse dérégulé, lâche, endommagé ou liaison	Vérifiez le levier de changement de vitesse et les câbles pour les dommages ou en vrac ou des pièces manquantes. Réparer ou remplacer les pièces si nécessaire. Régler les câbles de commande de vitesse d'entraînement, voir Réglage AJUSTEMENT LEVIER DE CHANGEMENT DE VITESSE
Entraînement engagée lorsque la poignée de commande d'entraînement libéré	Câble de commande d'entraînement de liaison, ne sera pas communiqué	Réparez, remplacez le câble si nécessaire
Système de la vis sans fin		
La vis sans fin ne tourne pas lorsque la Poignée de la Vrille engagée ou ne pas souffler la neige ou pauvre poudrière performances	La chute ensemble bouché	Nettoyez la goulotte et à l'intérieur du boîtier de la tarière avec outil de nettoyage
	Broches la vis sans fin de cisaillement brisées	Remplacez les goupilles de cisaillement. Vérifiez chaque broche lame de cisaillement de la vis sans fin.
	Objet étranger dans la vis sans fin et roue causant tarière pour arrêter sans goupilles de cisaillement	Retirez l'objet des zones de la tarière et la turbine
	Ceinture la vis sans fin lâche, glissement, usé ou endommagé	Remplacez la courroie de vis sans fin
	La vis sans fin câble de tension de ceinture lâche, endommagées ou liaison	Réparation, ajustez ou remplacez si nécessaire
	Lame endommagés ou faussés	Remplacez la lame de la vis sans fin
	Augez boîte de dommages mécaniques, d'une tarière système d'entraînement ne tourne pas librement (liaison)	Vérifiez les roulements, les bagues et toutes les parties du système de dommages ou de liaison mécanique. Réparer ou remplacer si nécessaire en utilisant une lubrification adéquate
	Dommages impelleur	Replacez le impelleur
	Rotor pas relié à l'arbre de la turbine, la turbine ou des goupilles de cisaillement brisées	Remplacez les goupilles de cisaillement ou roue si nécessaire
La vitesse d'avancement trop rapide tout en soufflant la neige, la surcharge	Laissez le moteur pour maintenir sa vitesse.	
ceinture Auger cassé, ou l'échec répété	Tension de la vis sans fin ressort de rappel du bras de poulie cassée ou manquante	Remplacez tension ressort de rappel du bras
	Tension de la vis sans fin bras de poulie coincé ou la liaison	Réparez ou remplacez le bras de tension si nécessaire

	Tension de la vis sans fin de poulie de tension ou d'une poulie désaligné ou endommagé	Réparez, remplacez ou alignez le bras de tension et ou poulie si nécessaire
	Les matières étrangères sur les poulies et la courroie, l'huile, la graisse, la saleté, etc.	Nettoyez la courroie et poulies au besoin, remplacez la courroie si nécessaire
	poulies mal alignées, en vrac, endommagés ou faussés de la vis sans fin	Remplacez ou alignez les poulies si nécessaire
	Courroie de la tarière incorrecte ou endommagée	Remplacez-la par la taille et le type ceinture
	Broche de la vis sans fin de guidage de ceinture non ajusté	Ajustez la broche de guidage de bande à l'intérieur de 01.08 à 03.16. A partir de la poulie. (Guide broche maintient la courroie dans la poulie au désengagement)
Rotation de la vis sans fin lorsque la Poignée de la Vrille de la tarière libéré	Tension de la vis sans fin ressort de rappel du bras de poulie cassée ou manquante	Remplacez tension ressort de rappel du bras

VUE ÉCLATÉE ET LISTE DES PIÈCES

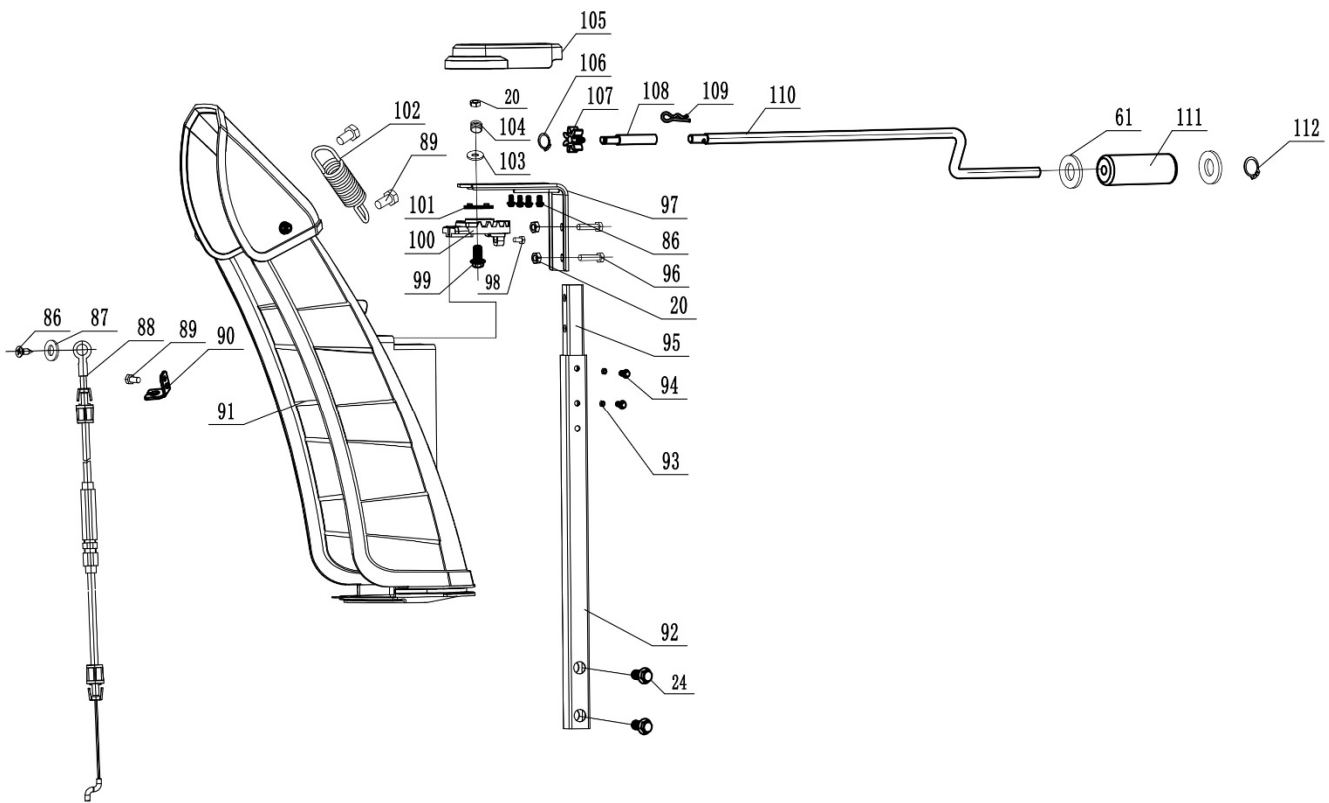
CONTENUE DU COMITÉ



Item	Stock#	Description	Qty
24	303020498	Verrouiller M8×18	4
113	303160909	Poignée inférieure	1
33	303020154	Verrouiller M8×40	4
20	303030077	Contre-écrou de bride M8	4
114	202580001	Biellette de contrôle de la vitesse	1
115	303200153	Câble de la tarière supérieure	1
116	303200152	Câble d'entraînement supérieur	1
117	203051135	Outil de nettoyage	1
118	302080018	Bague en caoutchouc	1
119	303080674	Barre de support	1
120	303181466	Soudage de la poignée supérieure	1
20	303030077	Contre-écrou de bride M8	1
121	303020486	Verrouiller M6×50	2
122	203070105	Manche de poignée	2
123	303071335	Déclencheur de commande gauche	1
124	303020654	Verrouiller M8×35	2
125	203010977	Manche de contrôle	1
104	303130369	Printemps	2

Item	Stock#	Description	Qty
126	303071336	Déclencheur de commande droit	1
127	303030025	Noix M6	2
101	203020380	Coussin dentaire	2
128	303071549	Plaque de fixation	1
129	203010979	Manche de contrôle	1
43	303042023	Rondelle plate	2
20	303030077	Contre-écrou de bride M8	2
99	303020275	Verrouiller M8×40	4
66	303042013	Rondelle plate	4
20	303030077	Contre-écrou de bride M8	4
130	301100037	Commutateur de lumière	1
131	202030117	Panel	1
132	303010159	Vis 4.2x12mm	3
133	203050561	Couvercle arrière	1
134	202500002	Montage du panneau lumineux	1
135	301040130	Ligne de connexion	1
136	306010059	Batterie	1

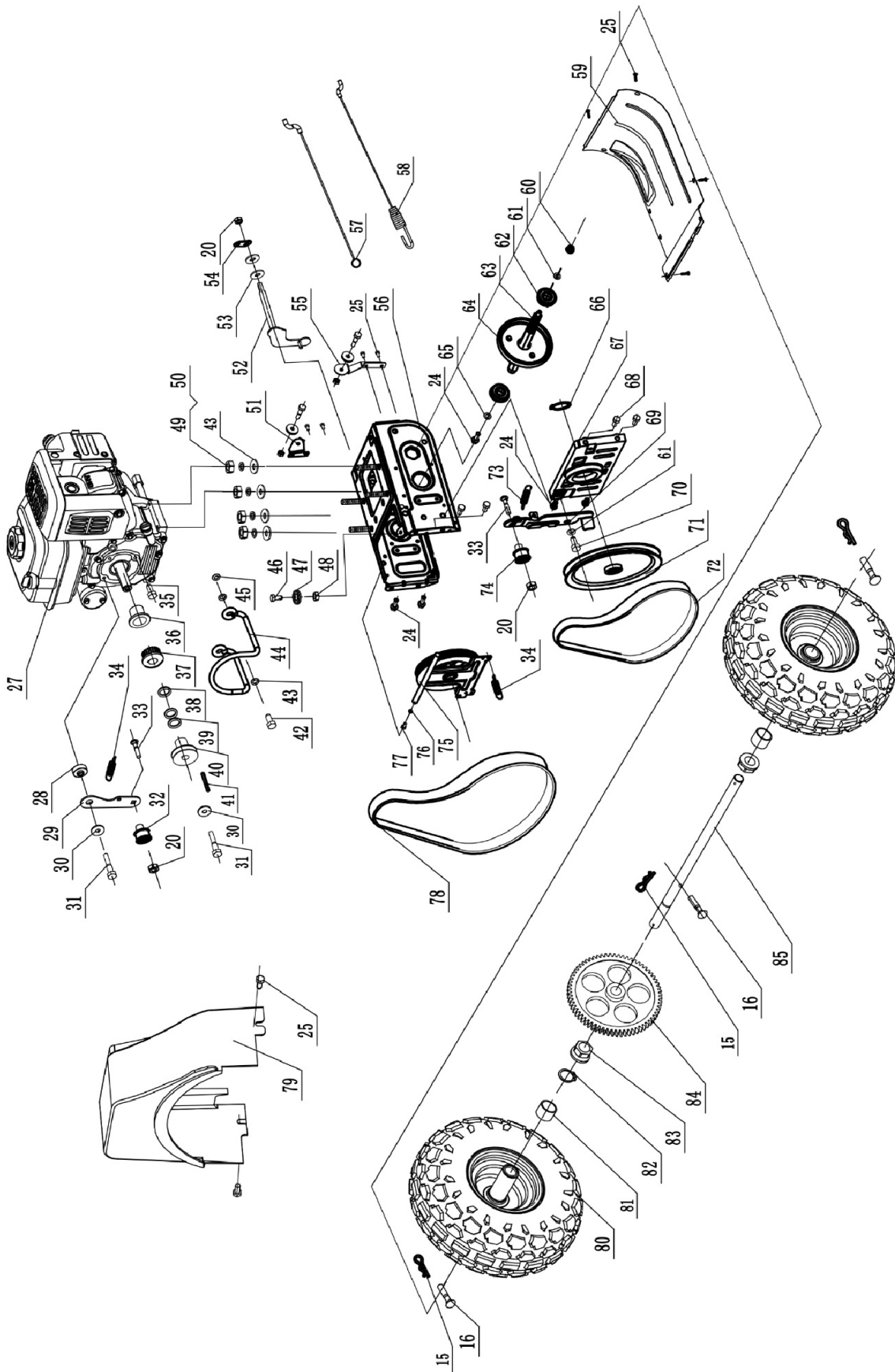
CONTENUE DE LA CHUTE



Item	Stock#	Description	Qty
86	303010270	Vis ST4.2×14	1
87	303042019	Rondelle plate	1
88	303200151A	Câble de chute de neige	1
89	303010353	Vis ST6.3*16	1
90	303071641	Prise de câble	1
91	202120185	Goulotte	1
24	303020498	Verrouiller M8×18	2
92	303081362	Tubes de support soudés	1
93	303030087	Noix M6	2
94	303020507	Verrouiller M6×35	2
95	303081359	Petit tube de support soudé	1
20	303030077	Bride locknut M8	2
96	303020583	Verrouiller M8×35	2
86	303010270	Vis ST4.2×14	4
97	303071639	Plaque de support	1
98	303010332	Vis ST6.3x20	1
99	303020275	Verrouiller M8×40	1

Item	Stock#	Description	Qty
100	203021536	Appareil à gouverner	1
101	203020380	Coussin dentaire	1
89	303010351	Vis ST6.3*14	2
102	303130393	Ressort de traction	1
103	303042138	Rondelle plate	1
104	303130369	Ressort de pression	1
20	303030077	Contre-écrou M8	1
105	203010980	Couvercle du boîtier de direction	1
106	303050008	Anneau d'arbre	1
107	303060178	Pignon de direction	1
108	303160984	Arbre de direction	1
109	303160845	Goupille	1
110	303160905	Bascule en Z	1
61	303042004	Rondelle plate	2
111	203021460	Levier à bascule	1
112	303050029	Anneau d'arbre	1

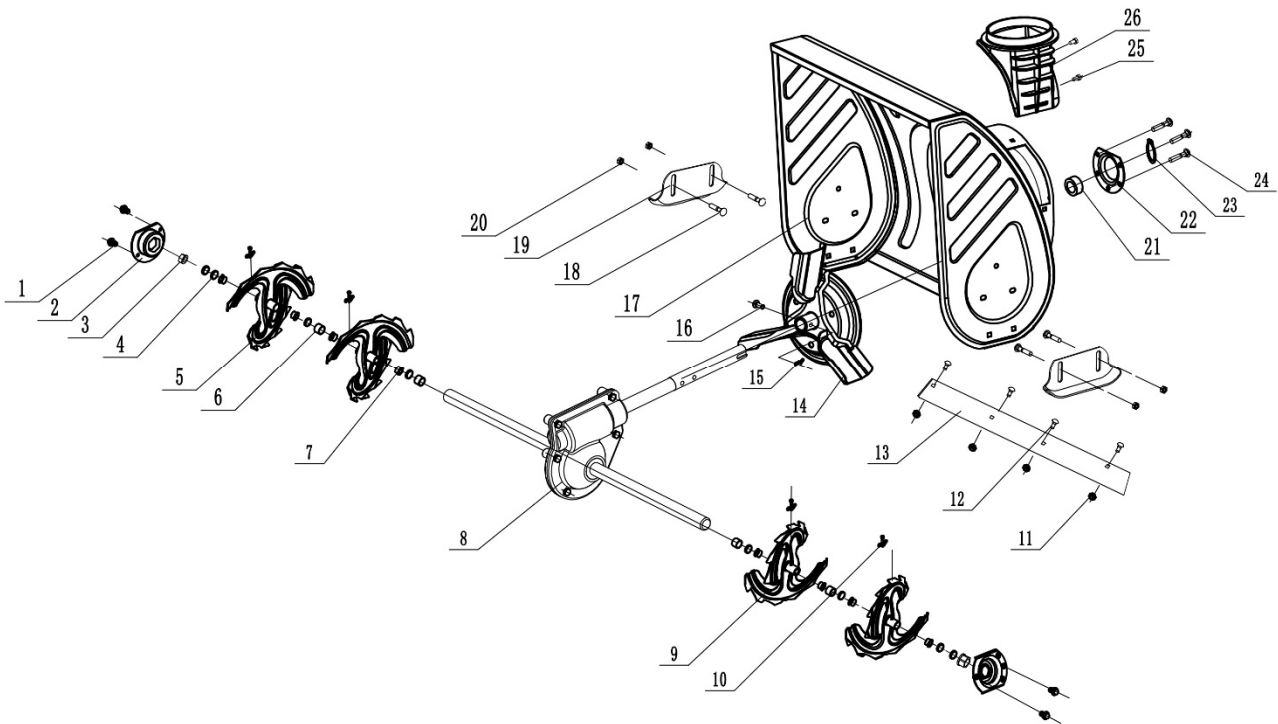
CONTENUE DE LA CADRE



Item	Stock#	Description	Qty
27	303190351	Moteur 212CC	1
28	303160192B	Petite entretoise de plaque de tension	1
29	303070202	Petite plaque de tension	1
30	303042005	Rondelle plate $\phi 8 \times \phi 28 \times 3$	1
31	303020265	Verrouiller M8x30	1
20	303030077	Contre-écrou de bride M8	1
32	203100004	Assemblage de la roue de tension	1
33	303020154	Boulon étagé M8x40	1
34	303130094	Ressort de support de roue de friction	1
35	303160432	Vis M8	1
36	303060040	Tampon réglable	1
37	303060041	Roue à poulie synchrone	1
38	303060064	Tampon réglable	2
39	303043021	Machine à laver	1
40	303160152A	Roue à courroie en V	1
41	9141960101	Clé rectangulaire longue	1
30	303042005	Rondelle plate	1
31	303020265	Verrouiller M8x30	1
42	303020457	Verrouiller M8x25	1
43	303042023	Rondelle plate	3
44	303081365	Levier d'arrêt de la courroie	1
45	303043016	Rondelle de blocage des dents externes	1
46	303160177	Vis de la poulie de guidage M6	3
47	203020364	Poulie de guidage	3
48	303030032	Contre-écrou M6	3
49	303030066	Écrou M8	4
50	303041022	Rondelle de ressort $\Phi 8$	4
43	303042023	Rondelle plate	4
51	303070418A	Plaque de roue de guidage	1
52	303181440	Fourchette de changement de vitesse soudée	1
53	303042069	Rondelle plate	2
54	303071631	Choix de l'équipe	1
20	303030077	Contre-écrou de bride M8	1
55	303071243	Plaque de roue de guidage	1
25	303020561	Verrouiller M6x16	4
56	202020116	Cadre soudé	1
57	303200050	Câble d'entraînement inférieur	1
58	303200012	Câble de la tarière inférieure	1
25	303020561	Verrouiller M6x16	4

Item	Stock#	Description	Qty
59	203050513	Grande plaque de fond	1
60	303030059	contre-écrou M10	1
61	303042004	Rondelle plate	1
62	303100051	Roulement à billes à gorge profonde 6203Z	2
63	303160799	Six manches carrées	1
64	202160007	Assemblage de roues de friction	1
65	303042013	Rondelle plate	1
24	303020498	Verrouiller M8x18	1
66	303050524	Anneau	1
67	202570001	Montage du support de poulie	1
68	303100105	Axe de verrouillage	2
69	303071633	Grande plaque de tension	1
61	303042004	Rondelle plate	1
70	303020680	Verrouiller	1
71	203060034	7109 Grande poulie	1
72	302040079	Courroie en V 720mm,4LXA	1
24	303020498	Verrouiller M8x18	2
73	303160983	Ressort de tension de la plaque de tension	1
33	303020154	Boulon M8x40	1
74	203100003	Assemblage de la roue de tension	1
20	303030077	Contre-écrou M8	1
34	303130094	Ressort de support de roue de friction	1
24	303020498	Verrouiller M8x18	6
75	202170006	Assemblage de la roue de friction	1
76	303042042	Rondelle plate	1
77	303020244	Verrouiller M6x14	1
78	302040078	Courroie synchrone	1
25	303020561	Verrouiller M6x16	2
79	203051019	Couverture de ceinture	1
15	303160987	Anti-KO	2
16	303160815	Goupille cylindrique élastique	2
80	302090217	13" Roue de pouces	2
81	203050140	Douille d'espacement	2
82	303050028	Anneau d'arbre $\Phi 19$	1
83	303060030	Bague	2
84	303160876	Gros engins	1
15	303160987	Anti-KO	1
16	303160815	Goupille cylindrique élastique	1
85	303160880	Essieu	1

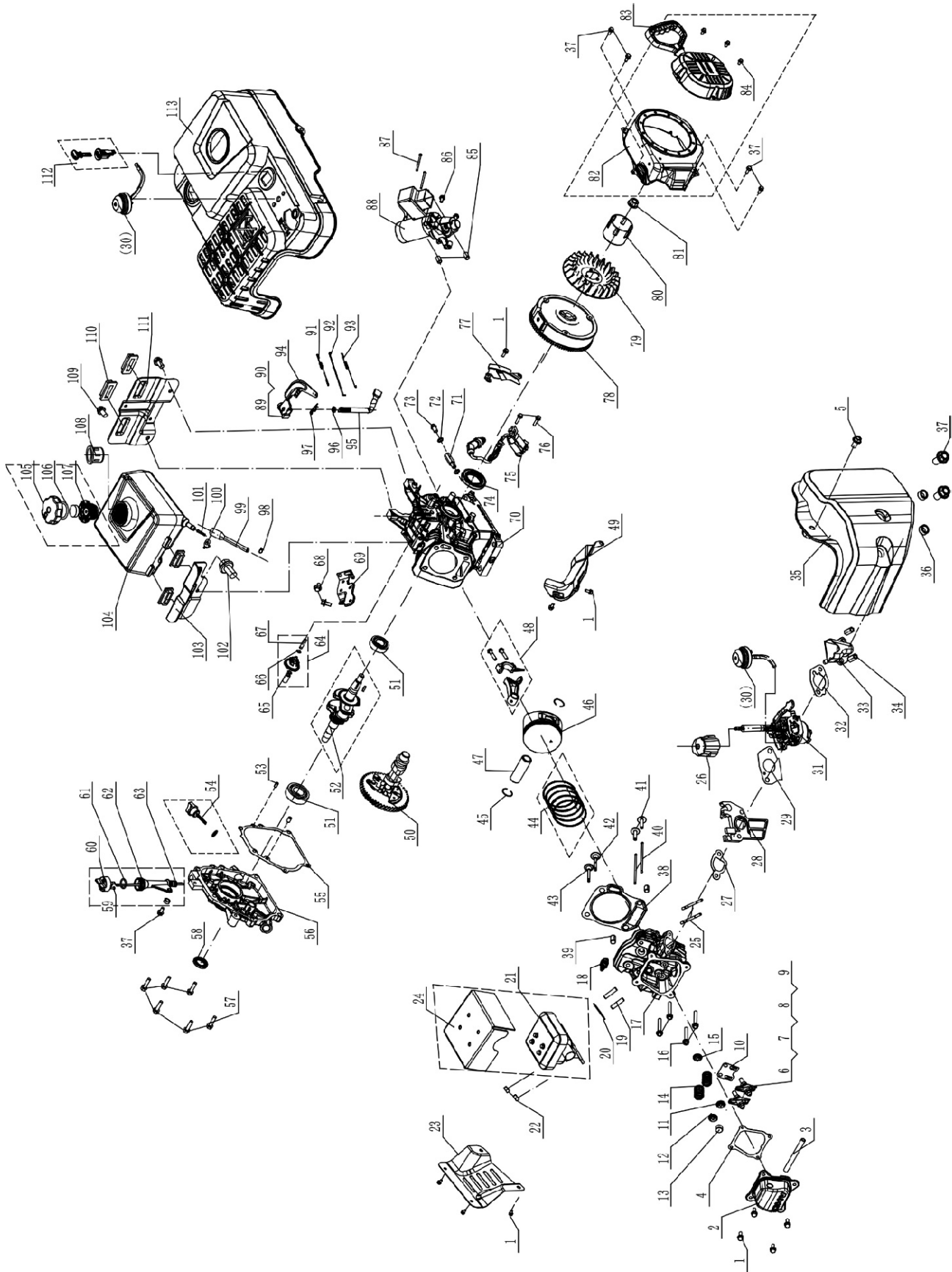
CONTENUE DE L'EMBALLAGE



Item	Stock#	Description	Qty
1	303020681	Boulon à bride hexagonale M8X16	4
2	303071607	Bloc de roulements	2
3	203060013	Roulement en plastique	2
4	203050109	Douille d'espacement 2	10
5	303180409	Soudage à la tarière droite	2
6	203050108	Douille d'espacement 1	6
7	203060012	Manchon de la tarière	8
8	202340011	Assemblage de boîtes à ver	1
9	303180410	Soudure à tarière à gauche	1
10	202560001	Broche à cisaille	4
11	303030076	Bride écrou normal M8	4
12	303020542	Boulon M8×14	4
13	303071656	26" Raser	1

Item	Stock#	Description	Qty
14	303181436	Impulseur	1
15	303160987	Anti-KO	1
16	303160815	Goupille cylindrique élastique	1
17	202480008	Boîtier combiné 26"	1
18	303020166	Boulon M8×18	4
19	303070197	Chaussures de dérapage	2
20	303030077	Contre-écrou de bride M8	4
21	303100040	Palier	1
22	303070233A	Plaque d'appui	1
23	303050068	anneau de retenue d'arbre	1
24	303020498	Verrouiller	3
25	303020561	Verrouiller	2
26	203051016	Siège de la goulotte inférieure	1

MOTEUR EXPLOSE VUE ET BOM LIST



Item	Stock#	Description	Qty
1	303020444	Boulon de bride à tête hexagonale M6X12	9
2	9020960102	Couverture respiratoire	1
3	9051960302	tuyau de silencieux	1
4	9245960103	Rondelle de couvercle à tête de culasse	1
5	303020562	Boulon M6X10	3
6	9143960101	Écrou de blocage d'air	2
7	9143960102	Écrou de réglage de dégagement de soupape	2
8	9230960101	Soupape à bascule	2
9	9142960101	Boulon de fixation du siège à bascule	2
10	9220960101	Plaque de guidage de la tige de poussée	1
11	9170960102	Siège de ressort de la soupape d'admission	1
12	9402960101	Bouchon de réglage de la soupape d'échappement	1
13	9170960103	Siège de ressort de la soupape d'admission	1
14	9531960101	Ressort de soupape	2
15	9245960101	Assemblage bouclier d'huile	1
16	303020620	Boulon M8X60	4
17	9020960101	Assemblage de tête de la culasse	1
18	9566960301	Bougie d'allumage	1
19	303010324	Goujon de silencieux	2
20	9245960105	Rondelle de silencieux	1
21	202370052	Assemblage de silencieux	1
22	303030111	Écrou M8	2
23	9226960501	Aide au logement	1
24	9569960513	Bouclier thermique	1
25	303010323	Goujon de carburateur	2
26	203021535	Bouton du carburateur	1
27	9245960107	Rondelle d'étanchéité	1
28	9535960101	Déflexeur thermique	1
29	9245960108	Rondelle d'étanchéité	1
30	9532960501	Assemblage de pompe d'amorçage	1
31	9568960501	Assemblage de carburateur	1
32	9245960102	Rondelle de filtre vide	1
33	9170960101	Porte-filtre vide	1

Item	Stock#	Description	Qty
58	9246960502	Joint d'huile	1
59	303010095	Vis autotaraudeuse ST4X14	1
60	9198960102	Couverture de règle haute huile	1
61	9247960103	O-bague	1
62	9198960103	Guide de la règle d'huile	1
63	9247960101	O-bague	1
64	9438960101	Combinaison d'engrenages entraînés égulant la vitesse	1
65	9092960101	Baguage coulissant	1
66	303043040	Rondelle	2
67	9121960101	Essieu d'engrenage gouvernant	1
68	303020444	Boulon de bride à tête hexagonale M6X12	2
69	9228960301	Plaque de fixation du siège du gouverneur	1
70	9563960501	Boîte de corps de vilebrequin	1
71	303020518	Boulon de vidange	1
72	303043042	Rondelle en aluminium	2
73	303020508	Bouteillon de purge	1
74	9246960502	Joint d'huile	1
75	9565960301	Assemblage d'allumeur	1
76	303020490	Boulon M6X25	2
77	9221960501	Boîtier côté volant	1
78	9152960501	Composants du volant	1
79	9414960101	Ventilateur	1
80	9194960501	Tôles passives	1
81	303020511	Écrou M14X1.5	1
82	9226960301	Scooper à vent	1
83	9528960301	Montage du Starter	1
84	303020515	Boulon M6X8	4
85	9140960104	Goupille de localisation	2
86	303020512	Boulon M6X30	2
87	303020517	Boulon M4X55	2
88	9421960101	Assemblage de démarrage du moteur	1
89	303020513	T-Boulon	1
90	303030112	Écrou à bride hexagonal avec dents	1

34	303020382	Boulon M6X20	2	91	9332960101	Ressort de tension régulant la vitesse	1
35	9170960501	Couvercle filtre vide	1	92	9013960102	Tige-poussoir de bobine d'arrêt	1
36	9140960106	Bague	2	93	9332960202	Ressort de tension du papillon	1
37	303020382	Boulon M6X12	1	94	9230960101	Soupape à bascule	1
38	9245960504	Joint de culasse	1	95	9005960501	Poignée de régulateur de papillon	1
39	9140960102	Goupille de piston	2	96	303043040	Rondelle	1
40	9013960501	poussoir	2	97	9534960101	Goupille fendue	1
41	9536960501	Poussoir de soupape	2	98	9533960201	Tenaille de tube d'huile	1
42	9113960102	Soupape d'échappement	1	99	9051960501	Tube d'huile	1
43	9113960101	poussoir	1	100	9533960902	Tenaille de tube d'huile	1
44	9564960501	Poussoir de soupape	1	101	9115960901	Filtre à carburant	1
45	9146960501	Goupille de localisation	2	102	303020506	Boulon M8X12	1
46	9129960501	Soupape d'échappement	1	103	9226960502	Support du réservoir d'huile	1
47	9140960501	Goupille de piston	1	104	9529960501	Assemblage du réservoir de carburant	1
48	9015960501	Bielle	1	105	9529960302	Bouchon de chambre d'huile	1
49	303071360	Linceul	1	106	9247960103	O-bague	1
50	9158960501	Assemblage d'arbre à cames	1	107	9529960103	Bouchon à vis de chambre d'huile	1
51	303100072	Arial	2	108	9115960101	Filtre à carburant	1
52	9122960501	Assemblage de vilebrequin	1	109	303020444	Boulon de bride à tête hexagonale	2
53	9140960103	Goupille de localisation	1	110	302030058	Amortisseur de chocs	4
54	9198960101	Jauge de niveau d'huile	1	111	9226960503	Support du réservoir d'huile B	1
55	9245960106	Rondelle de boîtier	1	112	9440960102	Assemblage de l'interrupteur à clé	1
56	9563960102	Couvercle de carter gauche	1	113	9225960501	Couverture extérieure	1
57	303020509	Boulon M8X32	6				

GARANTIE LIMITÉE DE DEUX(2) ANS

Nous vous félicitons d'avoir acheté un article de qualité supérieure-PowerSmart. Nos produits sont conçus et fabriqués pour correspondre à toutes les normes de sécurité de l'industrie.

GARANTIE LIMITÉE DES MACHINES POWER SMART DE DEUX(2) ANS.

PowerSmart(“vendeur”) garantit seulement à l'acheteur original, tous les produits de PowerSmart seront gratuits à défauts de matériaux ou de technologies pour une durée de deux(2) ans à compter de la date d'achat. Quatre-vingt-dix(90) jours si la machine est équipée professionnellement ou commercialement.

LE SEULE OBLIGATION DE VENDEUR ET VOTRE SEUL RECOURS en garantie limitées de deux ans, et la mesure prise en vertu de la loi, la garantie ou la condition en vertu de la loi, doit être la paire ou le remplacement de pièces, sans frais, qui sont défectueux dans le matériel ou l'exécution du travail et qui n'ont pas été usurpée, négligemment géré par des autres que le vendeur ou autorisé service center. Pour faire une demande de la présente garantie limitée, vous devez retourner le produit électrique: frais de transport payé au préalable, inclure une copie lisible du reçu original à PowerSmart, qui comprend la date d'achat (mois et année) et le nom de l'entreprise d'achat.

CETTE GARANTIE NE S'APPLIQUE PAS AUX ACCESSOIRES AVEC L'OUTIL, COMME DES LAMES DE SCIES CIRCULAIRES AUTRES POINTS CONNEXES OU TOUT REMPLACEMENT DE PIÈCES ÉNUMÉRÉES À L'ENTRETIEN.

TOUTE GARANTIE IMPLICITE DOIT ÊTRE LIMITÉE À UNE DURÉE DE DEUX (2) ANS À COMPTER DE LA DATE D'ACHAT. CERTAINS ÉTATS AMÉRICAINS ET PROVINCES CANADIENNES NE PERMETTENT DE LIMITER L'IMPLIED WARRANTY DURE LONGTEMPS, SI LA LIMITATION NE PAS S'APPLIQUENT À VOUS.

EN AUCUN CAS, LES VENDEURS NE SONT PAS RESPONSABLES DES ACCIDENTS PAR HASARD OU DIRECT (Y COMPRIS, MAIS PAS UNIQUEMENT LA RESPONSABILITÉ POUR PERTE DE BÉNÉFICES) DÉCOULANT DE LA VENTE OU DE L'UTILISATION DE CE PRODUIT. CERTAINS ÉTATS AMÉRICAINS ET PROVINCES CANADIENNES NE PERMETTENT PAS L'EXCLUSION OU LIMITATION DES ACCIDENTS PAR HASARD OU DIRECT, DONC CETTE LIMITATION OU L'EXCLUSION NE PAS S'APPLIQUENT À VOUS.

CETTE GARANTIE LIMITÉE VOUS DONNE DES DROITS LÉGITIME, ET VOUS POUVEZ AUSSI AVOIR D'AUTRES DROITS QUI PEUVENT DÉPENDRE D'ÉTAT DANS LES ÉTATS-UNIS, PROVINCE DU CANADA ET DU PAYS.

Toutes les questions / les commentaires, la assistance technique ou la maintenance,
sans frais: 800-791-9458 (lun-ven 9am-5pm CST)

E-mail: support@amerisuninc.com.

IL FAUT BIEN GARDER VOS REÇUS, SINON CETTE GARANTIE EST NULLE.

TABLA DE MATERIALES

ES

Datos técnicos.....	51
Introducción.....	52
Información de seguridad	52
Conociendo su quintanieves	57
Preparación del quintanieves	59
Funcionamiento de tu quintanieves.....	61
Mantenimiento	62
Solución de problemas.....	64
Vista despiezada y lista de piezas.....	67
Dos (2) años de garantía limitada	75

DATOS TÉCNICOS

Quintanieves de gas 26 pulgadas con dos etapas de

Modelo #:	DB7109B
Motor:	Motor de nieve 212cc
Capacidad del aceite del motor:	20.29 fl.oz
Capacidad del tanque de combustible:	0.5 Gallon
Sistema de arranque:	120V Eléctrico / retroceso
Anchura de limpieza:	26 inch
Altura de limpieza:	20 inch
Ángulo de rotación del conducto:	180°
Velocidad:	6 Delantero, 2 Reverso
Tamaño de llanta:	13 inch
Dimensiones totales (L x W x H):	31.1x26.3x22
Peso:	142 lbs

Gracias por comprar productos de PowerSmart.

Es crucial y muy recomendable que lea este manual de instrucciones en su totalidad, ya que es una herramienta invaluable y un punto de referencia para comprender el funcionamiento de su unidad.

Por favor registre su unidad en línea en [www. Amerisuninc.com](http://www.Amerisuninc.com). Este proceso nos permitirá rastrear su información de garantía y actualizar nuestros registros con respecto a su unidad en consecuencia.

Importante: nuestra empresa no proporciona correo electrónico ni información personal a ningún tercero por ningún motivo. Para cualquier pregunta, visite nuestro sitio web o llame al servicio de atención al cliente al 800-791-9458

INTRODUCCIÓN

Gracias por comprar productos de PowerSmart®. Este manual proporciona información detallada sobre la operación y el mantenimiento seguro de este producto. Se han realizado todos los esfuerzos para garantizar la exactitud de la información en este documento. PowerSmart® se reserva el derecho de cambiar este producto y sus especificaciones en cualquier momento sin previo aviso.

Por favor, mantenga este manual disponible a todos los usuarios durante toda la vida del producto.



Este manual contiene mensajes especiales para llamar la atención sobre las posibles inquietudes de seguridad, el daño del producto y la información útil de servicio y mantenimiento. Lea detenidamente toda la información para evitar lesiones y daños a la máquina.

¿PREGUNTAS? ¿PROBLEMAS?

Para hacer preguntas y resolver problemas de la manera más eficiente y oportuna, comuníquese con Servicio al Cliente al 800-791-9458, de lunes a viernes de 9 a. M. A 5 p. M. EST, o envíe un correo electrónico a support@amerisuninc.com.

AVISO CON RESPECTO A LAS EMISIONES

Los motores que están certificados para cumplir con las regulaciones de emisiones EPA para SORE (Pequeño equipo de carretera) están certificados para operar con gasolina regular sin plomo y pueden incluir los siguientes sistemas de control de emisiones: (EM) Modificaciones del motor y (TWC) Catalizador de Tres vías (si está equipado).

INFORMACIÓN DE SEGURIDAD



Este símbolo señala importantes instrucciones de seguridad que, en caso de no seguirse, podrían poner en peligro la seguridad personal o la propiedad de usted y de los demás. Lea y siga todas las instrucciones de este manual antes de intentar operar esta máquina. El incumplimiento de estas instrucciones puede ocasionar lesiones personales.



¡ADVERTENCIA! Esta máquina fue construida para ser operada de acuerdo con las prácticas de operación segura de este manual. Al igual que con cualquier tipo de equipo de potencia, el descuido o error por parte del operador puede provocar lesiones graves. Esta máquina es capaz de amputar dedos, manos, pies y arrojar objetos extraños. El incumplimiento de las siguientes instrucciones de seguridad puede ocasionar lesiones graves o incluso la muerte.

Es su responsabilidad restringir el uso de esta máquina de poder a las personas que lean, entiendan y sigan las advertencias e instrucciones de este manual y de la máquina.



¡PIEZAS GIRATORIAS! Solo use la herramienta de limpieza para eliminar bloqueos. **NUNCA** use sus manos.



NUNCA dirija la descarga hacia personas o bienes que puedan herirse o dañarse por objetos arrojados.



Mantenga a las personas alejadas de la unidad mientras opera. Mantenga a los niños fuera del área de trabajo y bajo la atenta supervisión de un adulto responsable.

FORMACIÓN

Lea, comprenda y siga todas las instrucciones en la máquina y en el(los) manuales antes de intentar ensamblar y operar. Guarde este manual en un lugar seguro para futuras referencias.

- Familiarícese con todos los controles y su funcionamiento correcto. Sepa cómo detener la máquina y desconectarla rápidamente.
- Nunca permita que niños menores de 14 años operen esta máquina. Los niños de 14 años o más deben leer y comprender las instrucciones y las prácticas de operación segura de este manual y de la máquina, y deben ser entrenados y supervisados por un adulto.
- Nunca permita que el personal adulto "no entrenado" opere esta máquina sin la instrucción adecuada.
- Los objetos lanzados pueden causar lesiones personales graves. Planifique y trace un mapa de su patrón de nieve para evitar la descarga de material hacia las carreteras, los transeúntes y los similares a esto.
- Mantenga a los transeúntes, las mascotas y los niños a una distancia mínima de 75 pies de la máquina mientras está en funcionamiento. Pare la máquina si alguien entra en el área.
- Tenga precaución para evitar resbalones o caídas, especialmente cuando opera en reversa.

PREPARACIÓN

Inspeccione minuciosamente el área donde se usará el equipo. Retire todos los felpudos, periódicos, trineos, tablas, alambres, ramas y otros objetos extraños, que podrían ser peligrosos y dañar el sistema de la barrena.

- Siempre use anteojos o gafas de seguridad durante el funcionamiento y al realizar un ajuste o reparación para proteger sus ojos, ya que los objetos arrojados pueden rebotar y causar lesiones graves en los ojos.
- No opere sin usar prendas exteriores de invierno adecuadas. No use joyas, pañuelos largos u otras prendas sueltas, que podrían enredarse en las piezas móviles, y use calzado que mejore la adherencia en superficies resbaladizas.
- Use un cable de extensión de tres hilos con conexión a tierra y un receptáculo para todas las máquinas con motores de arranque eléctricos.
- Ajuste la altura de la zapata deslizante y / o la altura de la carcasa para despejar grava o superficies de rocas trituradas.
- Desconecte todas las palancas de control antes de arrancar el motor.
- Nunca intente realizar ningún ajuste mientras el motor esté en funcionamiento, excepto donde se recomiende específicamente en el manual de instrucciones.
- Deje que el motor y la máquina se ajusten a la temperatura exterior antes de comenzar a despejar la nieve.

SEGURIDAD PERSONAL

- El escape del motor y ciertos componentes del vehículo contienen o emiten sustancias químicas que se sabe causan cáncer, defectos de nacimiento u otros daños reproductivos.
- Lea, comprenda y siga todas las instrucciones en su unidad del quintanieves y en este manual de instrucciones antes de intentar ensamblar y operar su máquina.
- Guarde este manual de instrucciones en un lugar seguro para referencias futuras. Si se necesitan piezas de repuesto, consulte los diagramas de panel, conducto, bastidor y carcasa y las listas de piezas en las páginas 25-30.
- Manténgase alerta, observe lo que está haciendo y use el sentido común cuando opere su unidad del quintanieves.
- No use su unidad del quintanieves cuando esté cansado o bajo la influencia de drogas, alcohol o medicamentos. Un momento de falta de atención mientras opera el quintanieves puede provocar lesiones corporales graves.
- **NUNCA DEJE SU QUINTANIEVES EN FUNCIONAMIENTO DESATENDIDO.** Detenga el motor!
- No deje su unidad del quintanieves hasta que se haya detenido por completo.
- Al retroceder, tenga cuidado con los obstáculos debajo de los pies o detrás de usted para evitar caerse.

SERVICIO

- Detenga el motor antes de hacer cualquier ajuste. Compruebe si hay desalineación, rotura o

atascamiento de las piezas móviles, y cualquier otra condición que pueda afectar la operación.

- Si está dañado, solicite a la unidad lanzadora de nieve que la revise un centro de servicio autorizado utilizando solo piezas de repuesto fabricadas y especificadas. Esto asegurará que se mantenga la seguridad de la unidad lanzadora de nieve.

OPERACIÓN SEGURA DE GASOLINA

Para evitar lesiones personales o daños a la propiedad, tenga mucho cuidado al manipular la gasolina. La gasolina es extremadamente inflamable y los vapores son explosivos. Las lesiones personales graves pueden ocurrir cuando la gasolina se derrama sobre usted o su ropa que puede inflamarse, por lo tanto, lávese la piel y cámbiese de ropa inmediatamente.

- Use solo un contenedor de gasolina aprobado.
- Apague todos los cigarrillos, cigarros, pipas y otras fuentes de ignición.
- Nunca alimente el motor de la unidad lanzadora de nieve en el interior.
- Nunca quite el tapón de gasolina ni agregue combustible mientras el motor esté caliente o en funcionamiento.
- Permita que el motor se enfríe al menos dos minutos antes de repostar.
- Nunca llene demasiado el tanque de combustible. Reemplace la tapa de gasolina y apriétela firmemente. Si se derrama gasolina, límpiela del motor y el equipo. Mueva la máquina a otra área. Espere 5 minutos antes de arrancar el motor.
- Nunca guarde la máquina o el contenedor de combustible dentro de una llama, una chispa o un luz piloto (por ejemplo, horno, calentador de agua, calefactor, secadora de ropa, etc.).
- Deje que la máquina se enfríe al menos 5 minutos antes de guardarla.
- Nunca llene los contenedores dentro de un vehículo o en un camión o en una cama con remolque con un forro de plástico. Siempre coloque los contenedores en el suelo lejos de su vehículo antes de llenarlos.
- Si es posible, retire el equipo impulsado por gasolina del camión o remolque y reabastezca de combustible en el suelo.
- Si esto no es posible, reabastezca el equipo en un remolque con un contenedor portátil, en lugar de hacerlo desde una boquilla dispensadora de gasolina.
- Mantenga la boquilla en contacto con el borde del tanque de combustible o la abertura del contenedor en todo momento hasta que se complete el abastecimiento de combustible. No use un dispositivo abierto de bloqueo de boquilla.

OPERACIÓN

- No coloque las manos o los pies cerca de piezas giratorias, en la carcasa del impulsor de la barrena o en el conjunto de la rampa. El contacto con las piezas giratorias puede amputar las manos y los pies.
- La palanca de control de la barrena (impulsor) es un dispositivo de seguridad. Nunca omita su operación. Hacerlo para permitir que la máquina no sea segura y pueda causar lesiones personales.
- Las palancas de control deben operar fácilmente en ambas direcciones y volver automáticamente a la posición desengranada (vertical) cuando se liberan.
- Nunca opere con un conjunto de rampa faltante o dañado. Mantenga todos los dispositivos de seguridad en su lugar y funcionando.
- Nunca haga funcionar un motor en el interior o en un área mal ventilada. El escape del motor contiene monóxido de carbono, un gas inodoro y mortal.
- No opere la máquina bajo la influencia de alcohol o drogas.
- El silenciador y el motor se calientan y pueden causar quemaduras. No toque. Mantenga a los niños alejados.
- Tenga extrema precaución al operar sobre o cruzar superficies de grava. Manténgase alerta ante peligros o tráfico ocultos.
- Tenga cuidado al cambiar de dirección y al trabajar en pendientes.
- Planifique su patrón de proyección de nieve para evitar descargas de nieve hacia ventanas, muros, automóviles, etc., evitando así posibles daños a la propiedad o lesiones personales causadas por desechos que rebotan.
- Nunca dirija la descarga a niños, transeúntes y mascotas ni permita que nadie se encuentre frente a la máquina.

- No sobrecargue la capacidad de la máquina tratando de despejar la nieve a una velocidad demasiado rápida. ¡Recuerda! La operación lenta y constante es lo mejor para evitar que los obstáculos de nieve se impulsen demasiado rápido.
- Nunca opere esta máquina sin buena visibilidad o luz. Siempre asegúrese de mantener el equilibrio y mantenga las asas firmemente. Camine, nunca corras.
- Desconecte la alimentación del sistema de la barrena (barrena / impulsor) soltando el control de la barrena (palanca) durante el transporte o el uso.
- Nunca opere la máquina a altas velocidades de transporte sobre superficies resbaladizas. Mire hacia abajo y hacia atrás y tenga cuidado al retroceder.
- Si la máquina comienza a vibrar anormalmente, detenga el motor, desconecte el cable de la bujía y conéctelo a tierra contra el motor. Inspeccione minuciosamente para detectar daños. Repare cualquier daño antes de arrancar y operar.
- Desenganche todas las palancas de control (conducción y barrena) y pare el motor antes de abandonar la posición de operación (detrás de los mangos).
- Espere hasta que la barrena / impulsor se detenga por completo antes de desatascar el conjunto del conducto, realizando cualquier ajuste o inspección.
- Nunca ponga su mano en las aberturas de descarga o del colector. Utilice siempre la herramienta de limpieza proporcionada para destapar la abertura de descarga. No destape el conjunto del conducto con el motor en funcionamiento. Apague el motor y permanezca detrás de las manijas hasta que todas las partes móviles se hayan detenido antes de destaparlo.
- Utilice únicamente accesorios y accesorios aprobados por el fabricante (por ejemplo, pesos de las ruedas, cadenas de neumáticos, cabinas, etc.).
- Cuando mire el motor, jala el cable lentamente hasta sentir resistencia, luego tira de él rápidamente, retractando rápidamente el cable de arranque (contragolpe), tirarás de la mano y el brazo hacia el motor más rápido y luego podrás soltarlo. Se pueden fracturar huesos, fracturas, moretones o esguinces.
- Si se producen situaciones que no están cubiertas en este manual, tenga cuidado y tenga buen juicio, comuníquese con el servicio de atención al cliente para obtener ayuda.

MANTENIMIENTO Y ALMACENAMIENTO

- Nunca altere los dispositivos de seguridad. Verifique su correcto funcionamiento regularmente. Consulte las secciones de mantenimiento y ajuste del manual.
- Antes de limpiar, reparar o inspeccionar la máquina, desengrane todas las palancas de control y pare el motor.
- Espere hasta que el impulsor de la barrena se detenga por completo. Desconecte el cable de la bujía para evitar un arranque involuntario.
- Verifique que los pernos y tornillos estén bien apretados (TODO EL TIEMPO antes y después del uso) ya que la vibración del motor podría provocar que el hardware se afloje... considere usar un producto Loctite para mantener el hardware seguro. Este proceso mantendrá la máquina en condiciones de trabajo seguras. Además, inspeccione visualmente la máquina para detectar cualquier daño.
- Verifique que la caja de engranajes de la barrena, ubicada entre las hojas de la barrena derecha e izquierda, tenga un lubricante sustancial en la carcasa.
- Los tapones (pernos) de llenado y drenaje de la caja de engranajes son los únicos tapones (pernos) "verticales" en el conjunto de la caja de cambios cuando se los mira de pie. El tapón superior (perno) se usa para llenar... el tapón inferior (perno) es para drenar. Simplemente quite el tapón superior (perno) para la verificación del lubricante, ya que debe estar adentro. Para drenar, simplemente quite el tapón inferior (perno).
- No modifique la configuración del regulador del motor ni acelere excesivamente el motor. El gobernador controla la velocidad de operación máxima segura del motor.
- Los cinturones de barrena, las placas de afeitado, los pasadores y las zapatas del quintanieves están sujetos a desgaste y daños, por lo tanto, se espera que el propietario asuma la responsabilidad personal por el mantenimiento (extracción e instalación) de estos artículos.
- Para su protección de seguridad, verifique con frecuencia todos los componentes y reemplácelos solo con piezas de fabricantes de equipos originales (OEM).
- El uso de piezas que no cumplen con las especificaciones del equipo original puede ocasionar un

rendimiento inadecuado y comprometer la seguridad.

- Revise la palanca de control (impulsor y sinfín) (manijas) y los cables periódicamente para verificar que se activen y desengranen adecuadamente y ajuste, si es necesario. Consulte la sección de ajuste en este manual del operador para obtener instrucciones.
- Mantenga o reemplace las etiquetas de seguridad e instrucciones, según sea necesario.
- Observe las leyes y normas de eliminación adecuadas de gas, petróleo, etc. para proteger el medio ambiente.
- Antes de almacenar, haga funcionar la máquina unos minutos para despejar la nieve de la máquina y evite la congelación del impulsor de la barrena y limpie completamente la unidad, mientras inspecciona los componentes congelados.
- Nunca guarde la máquina o el contenedor de combustible dentro de una llama abierta, chispa o luz piloto, como un calentador de agua, un horno, una secadora de ropa, etc.
- Siempre consulte el manual del operador para obtener las instrucciones adecuadas sobre el almacenamiento fuera de temporada. Un video de YouTube está disponible, que ilustra este proceso:
<https://www.youtube.com/watch?v=X4KYcFEfeY4>
- Verifique con frecuencia la línea de combustible, el tanque, la tapa y las conexiones para grietas o fugas. Reemplace si es necesario.
- No arranque el motor sin la bujía eliminada.
- Haga que la máquina sea inspeccionada anualmente por un distribuidor de servicio autorizado para asegurarse de que todos los sistemas mecánicos y de seguridad funcionen correctamente y no se hayan desgastado excesivamente *. De lo contrario, pueden producirse accidentes, lesiones o la muerte.

*Tenga en cuenta que una inspección anual no está cubierta dentro del programa de garantía... solo el servicio de REPARACIÓN.

LIMPIEZA

1. Para limpiar su quitanieves, use un paño húmedo y un detergente suave solo en las superficies. Nunca introduzca jabón o agua dentro de los mecanismos de trabajo de su quitanieves.

Nota: No limpiar con agua El agua se congelará debido a la baja temperatura y dañará la máquina.

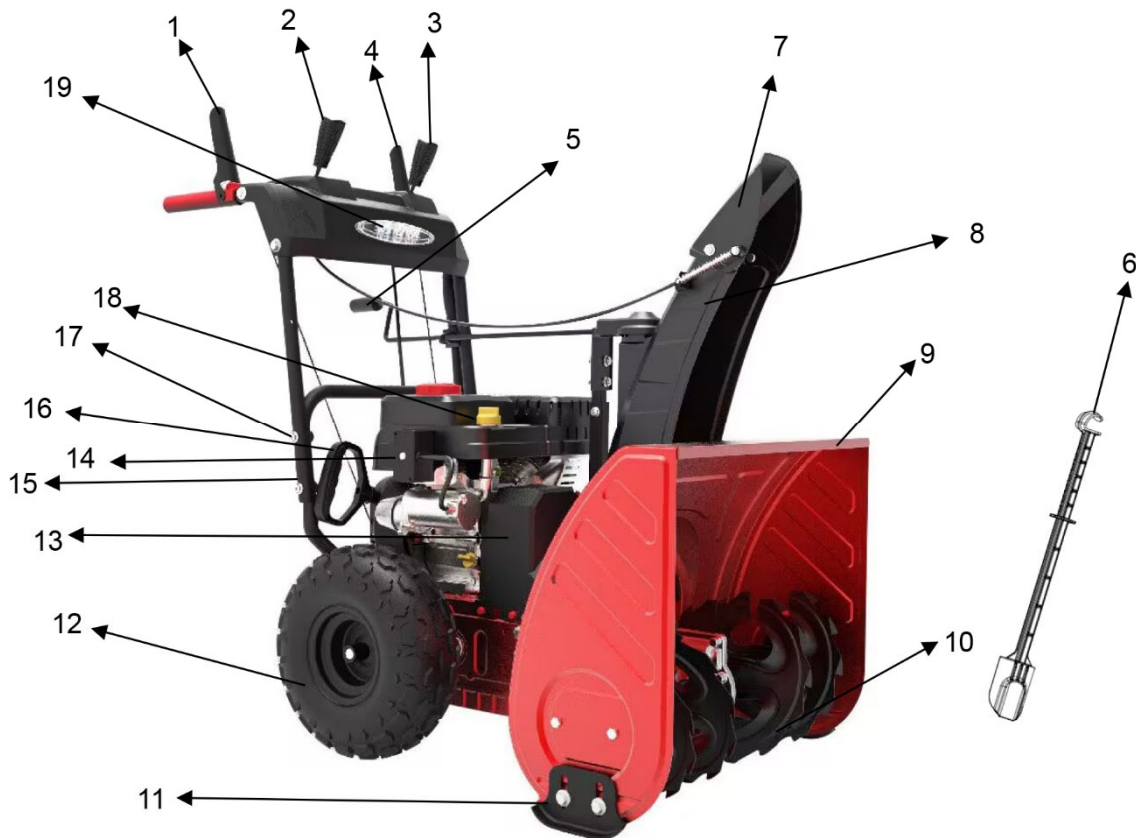
2. Limpie la nieve y el hielo acumulado de la quitanieves antes de que sea guardado o transportado. Asegúrese de proteger el equipo durante el transporte.
3. Inspeccione minuciosamente la quitanieves para detectar posibles piezas desgastadas, sueltas o dañadas. Verifique las conexiones y los tornillos, y apriételes si es necesario.

NO MODIFIQUE EL MOTOR

Para evitar lesiones graves o la muerte, no modifique el motor de ninguna manera. Altere la configuración del gobernador puede provocar un motor fuera de control y hacer que funcione a velocidades inseguras. Nunca altere la configuración de fábrica del regulador del motor.

CONOZCA SU QUINTANIEVES

Use las ilustraciones a continuación para familiarizarse con las ubicaciones y funciones de los diversos componentes y controles de este quitanieve.



1	Palanca de control de la conducción	10	Hoja de la barrena
2	Control del deflector del conducto	11	Zapata antideslizante
3	Control de Velocidad / engranajes de La conducción	12	Neumático de la rueda
4	Palanca de control de la barrena	13	Cubierta de la banda
5	Mango de rotación del conducto	14	Botón de arranque eléctrico
6	Herramienta de limpieza	15	Asa inferior
7	Deflector del conducto de descarga	16	Asa del inicio de retroceso
8	Conducto de descarga	17	Mango perilla
9	Caja de la barrena	18	Varilla de medición de aceite
		19	Luz



20	Palanca de bloqueo	22	Llave de interruptor
21	Primer Bulbo	23	Tapón del tanque de combustible

Palanca de control de la conducción

Ubicada en el lado derecho del mango superior, el mango de control de la conducción se utiliza para enganchar y desengranar las ruedas motrices. Apriete el mango de control de la conducción contra el mango superior para engranar las ruedas; soltar para desconectar.

Control de Velocidad / Engranaje de conducción

El control de velocidad / marcha está en el izquierda del panel y se usa para establecer la velocidad de conducción y la dirección de viaje. Se puede mover a cualquiera de las ocho posiciones (seis ajustes de marcha adelante y dos de marcha atrás)

Palanca de control de la barrena

Ubicada en el lado izquierdo del mango superior, el mango de control de la barrena se usa para enganchar y desenganchar las barrenas. Apriete el mango de control de la barrena para enganchar las barrenas; suelte para desenganchar las barrenas.

Mango de rotación del conducto

Para ajustar la dirección de descarga de la nieve, gire el mango en el sentido de las agujas del reloj o en el sentido contrario a las agujas del reloj... debe girar 180 grados.

Zapata antideslizante

Coloque las zapatas según las condiciones de la superficie. Ajuste hacia arriba para la nieve compactada. Ajuste hacia abajo cuando opere sobre grava o superficies de rocas trituradas.

Hoja de barrena e impulsor

Cuando está enganchado, las hojas de la barrena giran para cortar la nieve y dirigirla hacia la carcasa de la barrena / impulsor para que se descargue por el conducto.

Herramienta de limpieza

Se utiliza para limpiar el conjunto del conducto y la abertura del conducto cuando la nieve y el hielo se alojan. ¡ADVERTENCIA! Nunca use sus manos para limpiar un conjunto de conducto obstruido. Apague el motor y permanezca detrás de los mangos hasta que todas las partes móviles se hayan detenido antes de destaparlos.

Luz LED

Situada en la parte frontal del panel, esta característica proporciona luz adicional para aumentar la visibilidad.

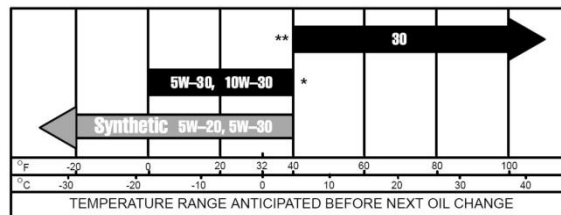
PREPARACIÓN DE QUITANIEVES

AÑADIR ACEITE

El lanzador de nieve se envía sin aceite. El usuario debe añadir la cantidad adecuada de aceite antes de operar el soplador de nieve por primera vez. La capacidad de aceite del cárter del motor es de 20.29 fl. oz. Para uso general, recomendamos aceite de motor de 5W-30 y 4 tiempos.

RECOMENDACIONES DE ACEITE DE MOTOR

Seleccione aceite detergente de buena calidad que lleve las clasificaciones de servicio sj, SL o SM del Instituto Americano del Petróleo (se pueden utilizar aceites sintéticos). Utilice el grado de viscosidad ASE del aceite de la siguiente tabla que coincida con la temperatura inicial prevista antes de que cambie el siguiente aceite.



Para añadir aceite, siga estos pasos:

1. Asegúrese de que el lanzador de nieve está en una superficie nivelada. Inclinarse el lanzador de nieve para ayudar en el llenado hará que el aceite fluya en las áreas del motor y causará daños. ¡Mantén el nivel de lanzanieves!
2. Retire la varilla del motor.
3. Agregue el aceite lentamente para no desbordar la unidad.
4. Para comprobar el nivel de aceite, limpie la varilla con un trapo limpio. Inserte la varilla en la abertura de relleno de aceite sin atornillarla. Retire la varilla para comprobar la marca de aceite.
5. Agregue lentamente más aceite y repita el paso 4 hasta que la marca de aceite llegue hasta la parte superior de la varilla. No llene en exceso el cárter.
6. Compruebe si hay fugas de aceite. Apriete firmemente el dipstick.



AÑADIR GASOLINA

Usar gasolina fresca (dentro de los 30 días posteriores a la compra), gasolina sin plomo con un mínimo de 87 octanos. No mezcle aceite con gasolina.

Para añadir gasolina, siga estos pasos:

1. Asegúrese de que el lanzador de nieve está en una superficie nivelada.
2. Desenrosque la tapa del depósito de combustible y reserve. NOTA: La tapa de combustible puede estar apretada y difícil de desenroscar.
3. Agregue lentamente gasolina sin plomo al tanque de combustible. Tenga cuidado de no llenar en exceso. La capacidad del tanque de combustible es de 0.5 galones. NOTA: No llene el depósito de combustible hasta la parte superior. La gasolina se expandirá y se derramará durante el uso, incluso con la tapa de combustible en su lugar.
4. Vuelva a instalar la tapa de combustible y limpie la gasolina derramada con un paño seco.

IMPORTANTE:

- Nunca utilice una mezcla de aceite y gasolina.
- Nunca use gasolina vieja.
- Evite meter tierra o agua en el depósito de combustible.
- La gasolina puede envejecer en el tanque y dificultar el arranque. Nunca almacene el lanzador de nieve durante largos períodos de tiempo con combustible en el tanque o en el carburador.

NOTA: Después de completar la preparación anterior, el motor está listo para arrancar.

¡ADVERTENCIA! Mantenga el área de operación libre de objetos extraños que puedan ser arrojados por el barreno y / o las palas del impulsor. Realice una inspección minuciosa del área ya que algunos objetos pueden estar ocultos a la vista por la nieve circundante. Si el quintanieves golpea una obstrucción o recoge un objeto extraño durante el uso, detenga el quintanieves inmediatamente, retire la obstrucción e inspecciónelo para

detectar daños. Repare o reemplace cualquier pieza dañada antes de reiniciar y operar su quintanieves.

- Mantenga a los niños, mascotas y otras personas alejadas del área de operación. Tenga en cuenta que el ruido normal del quintanieves cuando está encendido puede dificultarle escuchar a las personas que se acercan.
- Comience su camino de limpieza arrojando nieve en un movimiento hacia adelante y hacia atrás. Para despejar en la dirección opuesta, detenga el quintanieves y gírelo sobre sus ruedas para mirar en la dirección opuesta. Asegúrese de superponer caminos de limpieza.
- Determina la dirección del viento. Si es posible, muévase en la misma dirección que el viento para que la nieve no se arroje contra el viento, de vuelta a su cara y en el camino despejado.

¡ADVERTENCIA! NO UTILICE SUS MANOS PARA DESCONECTAR el conducto.

Detenga el motor antes de quitar la suciedad. Use la herramienta de limpieza suministrada para destapar el conducto. No camine frente a su quintanieves en funcionamiento. No dirija la nieve descargada hacia los transeúntes.

- No aplique carga artificial adicional al motor ya que esto puede dañar el motor.
- Algunas partes de su quintanieves pueden congelarse en condiciones de temperaturas extremas. No intente operar su quintanieves con piezas congeladas. Si las piezas se congelan mientras se usa el quintanieves, pare la unidad e inspeccione si hay partes congeladas. Descongele todas las piezas antes de reiniciar y operar su quintanieves. Nunca fuerce partes o controles que estén congelados. Nunca use una llama abierta de ningún tipo para descongelar las piezas congeladas.

Inspección pre-operación: **¡IMPORTANTE!**

Antes de usar su quintanieves por primera vez, verifique lo siguiente:

- ¿Ha leído y seguido todos los procedimientos de configuración y operación del motor como se describe?
- ¿Se ha llenado el motor con aceite y gasolina al nivel adecuado?
- ¿Están todos los componentes del quintanieves correctamente instalados y ensamblados?
- ¿Hay alguna pieza rota o dañada?
- ¿Están apretados todos los sujetadores?
- ¿Están los neumáticos inflados a la presión adecuada?

AVISO: Si no está seguro sobre el ensamblaje o la condición de cualquiera de sus piezas del quintanieves, comuníquese con nuestro departamento de servicio al cliente al 800-791-9458.

CONTROL DE BARRENO Y CONDUCCIÓN

1. Para enganchar el barreno (cuchillas), presione hacia abajo la palanca de control de la barrena (mango del lado izquierdo).
2. Para activar la conducción, presione hacia abajo la palanca de control de la conducción (mango del lado derecho). La máquina debe comenzar a moverse en la dirección y velocidad para la configuración respectiva en el control de velocidad / engranaje. Cuando termine de despejar un camino de nieve, suelte la palanca de control de la barrena (mango) y la palanca de control de la conducción (mango)

Atención: liberación (desactivación) El barreno y la palanca de control de la conducción (mangos) antes de ajustar la palanca de control de la velocidad de conducción. NUNCA cambie la velocidad de la unidad / engranaje mientras su quintanieves esté en movimiento, ya que dañará el mecanismo de conducción y anulará la garantía.

CONTROL DE VELOCIDAD / ENGRANAJE DE CONDUCCIÓN

Mueva la palanca de control de velocidad de conducción a la velocidad deseada. Hay ocho (8) configuraciones: seis (6) velocidades hacia adelante y dos (2) velocidades hacia atrás. 1 es la velocidad de avance más lenta y 6 es la velocidad de avance más rápida.

R1 es la velocidad inversa más lenta y R2 es la velocidad inversa más rápida.

Nota: No hay una configuración de conducción neutral ya que el mango de control de la conducción debe estar activada para el movimiento. Neutral se logra cuando el mango de control de la conducción está desconectado.



AJUSTE DE DIRECCIÓN DE DESCARGA DE CONDUCTO



ADVERTENCIA - Nunca dirija el conducto de descarga de nieve hacia el operador, espectadores, vehículos o ventanas cercanas. La nieve descargada y los objetos extraños accidentalmente recogidos por el quintanieves pueden causar daños graves y lesiones corporales graves. Siempre apunte el conducto de descarga en dirección opuesta a posibles peligros. El conducto de descarga puede ajustarse 180° girando el mango de rotación del conducto. Gire el mango de rotación del conducto en el sentido de las agujas del reloj para mover el conducto de descarga hacia la derecha; en sentido contrario a las agujas del reloj para mover el conducto hacia la izquierda.

AJUSTE DEL CALZADO DESLIZANTE

Asegúrese de que la punta de la zapata deslizando quede hacia afuera.

El ajuste de las zapatas deslizando establece la altura sobre el suelo en el que opera la placa de afeitado de la barrena. Para despejar la nieve de hormigones, asfaltos y otras superficies lisas, coloque la placa de afeitado de la barrena de manera que la parte inferior de la placa quede justa sobre el suelo.

Para despejar la nieve de la grava, la suciedad y otras superficies ásperas, coloque la placa de afeitado de la barrena ligeramente sobre el suelo para evitar que entre suciedad y grava en la barrena.

La altura óptima de la placa variará según el tipo de superficie que se limpia. Las superficies con grava o piedras más grandes requieren un ajuste más alto de la placa de afeitado.

1. Mueva el quintanieves a una superficie sólida, lisa y nivelada.
2. Coloque una tabla espaciadora en el piso debajo de la placa de afeitado de la barrena entre las zapatas antideslizantes. El grosor de la tabla debe ser el mismo que la altura sobre la que desea elevar la placa de afeitado de la barrena. Las zapatas antideslizantes no deben tocar la tabla.
3. Con las dos (2) tuercas sueltas (2 a cada lado), permita que la zapata deslizando se deslice hacia el suelo y luego apriete las tuercas para asegurar la zapata antideslizando.

FUNCIONAMIENTO DE TU QUITANIEVES

ARRANQUE MANUAL DEL MOTOR

Para arrancar manualmente el motor, siga estos pasos:

1. Compruebe los niveles de aceite y combustible.
2. Mueva la palanca de estrangulación a la posición "CLOSE".
3. Asegúrese de insertar la tecla del interruptor.
4. Presione la bombilla de imprimación 3 veces.
5. Tire de la manija del arrancador de retroceso lentamente hasta que se sienta una ligera resistencia, luego tire rápidamente para arrancar el motor. Vuelva a colocar el cable suavemente en el arrancador de retroceso. Nunca permita que el cable se rompa hacia atrás.
6. Si el motor no arranca, repita el paso 4. NOTA: Después de repetidos intentos fallidos de arrancar el motor, consulte la guía de solución de problemas antes de intentarlo de nuevo. Si los problemas persisten, llame al servicio de atención al cliente.
7. Una vez que el motor se ha puesto en marcha, vuelva lentamente a la palanca de estrangulación hasta la posición "OPEN".
8. Deje que el motor funcione durante varios minutos antes de limpiar la nieve. Esto permite que el motor estabilice su velocidad y temperatura.

ARRANQUE ELÉCTRICO DEL MOTOR

Para arrancar el motor mediante la función de arranque eléctrico, siga estos pasos:

1. Compruebe los niveles de petróleo y gas.
2. Mueva la palanca de estrangulación a la posición "CLOSE".
3. Asegúrese de insertar la tecla del interruptor.
4. Presione la bombilla de imprimación 3 veces.
5. Enchufe el cable de alimentación al motor de arranque.
6. Pulse el botón de arranque durante 2-3 segundos o hasta que se inicie el motor. NOTA: Si el motor no arranca después de 2-3 segundos, suelte el botón de inicio.
7. Si el motor no arranca, espere 10 segundos y repita el paso 6. NOTA: Después de intentos repetidos de

arrancar el motor, consulte la guía de solución de problemas antes de intentarlo de nuevo. Si los problemas persisten, llame al servicio de atención al cliente.

8. Una vez que el motor se ha iniciado. Mueva lentamente la palanca de estrangulación hasta la posición "OPEN". Deje que el motor funcione durante varios minutos antes de intentar limpiar la nieve.

LIMPIEZA DE NIEVE

Arranque el motor (consulte el manual del MOTOR) una vez que su quintanieves haya estado funcionando durante varios minutos, ahora está listo para usar. Asegúrate de que el camino frente a tu quintanieves esté libre de personas, animales, objetos y todas las demás obstrucciones, a excepción de la nieve.

Ajuste la salida del conducto en la dirección deseada.

Gire el mango de rotación del conducto en sentido horario o anti-horario hasta alcanzar la posición deseada.

¡ADVERTENCIA! Nunca dirija la salida del conducto hacia personas o animales. Si bien la nieve puede parecer inofensiva, puede contener rocas u otros desechos que pueden causar lesiones graves cuando se proyectan a través del conducto.

- Enganche / presione la palanca de control de la barrena (mango) para que las barrenas y el impulsor giren.
- Configure la dirección y velocidad deseadas usando la palanca de control de velocidad / engranaje.
- Enganche / presione la palanca de control de la conducción (mango) y dirija el quintanieves hacia la nieve que se va a limpiar.

AVISO: NUNCA cambie las posiciones de velocidad / cambio mientras la palanca de control de la conducción (mango) esté enganchada.

Desenganche el mango de control de conducción ANTES de cambiar la velocidad o las indicaciones. Si la nieve es más profunda que la altura de la barrena, retírela en varios pasos con franjas más angostas. Realice varias pasadas con la barrena solapando las áreas despejadas y reduciendo la velocidad de avance.

Para obtener la mejor eficacia de limpieza, despeje la nieve antes de que se derrita, vuelva a congelar y se endurezca. La nieve compacta y mojada puede ser muy difícil de eliminar.

Eliminar la nieve pesada y húmeda puede ser un desafío, dependiendo de la temperatura ambiente, los niveles de humedad y las condiciones climáticas generales, incluidas las condiciones reales de la nieve, puede no haber una solución al 100% ya que la nieve puede estar demasiado húmeda o compactada para mover o tirar. La nieve húmeda tenderá a obstruirse y aferrarse más a los sinfines y al conducto. Mantenga la barrena enganchada tanto como sea posible cuando limpie la nieve húmeda para evitar obstrucciones.

¡ADVERTENCIA! Si la nieve se llena de material extraño, se puede dañar el quintanieves.

Evite la nieve con materiales extraños.

SUSPENSIÓN

Cuando termine de usar su quintanieves, realice los siguientes pasos para apagarlo.

1. Enganche la barrena y el impulsor durante 30 segundos para despejar cualquier resto de nieve dentro de su quintanieves.
2. Detenga la rotación de la hoja de la barrena liberando la palanca de control de la barrena (izquierda) (mango).
3. Retire la llave del interruptor de seguridad del motor para detener el funcionamiento del motor...
4. Retire la nieve de todas las superficies del quintanieves, incluidas la carcasa de la barrena y las áreas del conducto.

LIMPIEZA DE RESTRICCIONES

Si el conducto de descarga de nieve o la carcasa de la barrena se obstruyen DETENGA el motor y asegúrese de que todas las piezas giratorias se hayan detenido por completo. Utilice la herramienta de limpieza de nieve suministrada para despejar la obstrucción. Después de destaparlo, limpie la herramienta y colóquela en el soporte en la parte superior de la carcasa de la barrena.

MANTENIMIENTO

¡ADVERTENCIA! Nunca realice tareas de mantenimiento si su quitanieves se encuentre en funcionamiento. Apague el motor quitando la llave del interruptor antes de realizar cualquier tarea de mantenimiento en su lanzanieves.

Un mantenimiento adecuado de su quitanieves ayudará a prolongar su vida útil. Por favor, realice los

siguientes procedimientos de mantenimiento según sean necesarios.

No intente reparar su quitanieves a menos que tenga las herramientas e instrucciones adecuadas para el desmontaje y la reparación.

Compruebe los pernos a intervalos frecuentes para una fijación adecuada que garantiza el funcionamiento del equipo en unas condiciones de seguridad adecuadas.

Después de cada sesión de eliminación de nieve, mantén la quitanieves en funcionamiento durante unos minutos más para evitar que el sistema de sinfín / impulsor se congele. Detenga el motor, espere a que todas las piezas giratorias se detengan por completo y limpie el hielo y la nieve residual del equipo. Gire la manija de rotación de la tolva varias veces para eliminar la nieve excesiva.

PROCEDIMIENTOS DE MANTENIMIENTO

INFLAMIENTO DE LOS NEUMÁTICOS

Antes de cada uso, revise la presión de los neumáticos de su quitanieves. La presión en cada neumático debe estar en el rango de 20-24 psi para un rendimiento óptimo. La presión puede verificarse con un manómetro de neumáticos normal. Infle los neumáticos con un compresor de aire pequeño o de presión regulada.

¡ADVERTENCIA! NO SOBRE-INFLAR LOS NEUMÁTICOS. El exceso de inflado puede hacer que explote una llanta y causar lesiones corporales graves.

REEMPLAZAMIENTO DE LA PLACA RASPADORA

Retire las dos patines de deslizamiento y los soportes, incluidos los pernos de carruaje y las tuercas que sujetan la placa raspadora a la carcasa de la quitanieves. Vuelva a ensamblar la nueva placa raspadora, asegurándose de que las cabezas de los pernos de carruaje estén en el interior de la carcasa del barrena.

BARRENA O IMPULSOR

¡ADVERTENCIA! La barrena y el impulsor giran a altas velocidades, lo que puede causar daños o incluso la amputación de partes del cuerpo de una persona. Incluso si no ve girar el sinfín o el impulsor, éstos pueden comenzar a girar en cualquier momento si el motor se encuentra en funcionamiento. Retire la llave de seguridad del motor. La herramienta de limpieza de la ranura se fija al tubo superior.

Apague siempre el motor antes de intentar despejar obstrucciones o atascos.

Mantenga las manos y los pies alejados de las piezas giratorias mientras el motor se encuentre en funcionamiento.

No use ropa suelta que pueda enredarse con las piezas giratorias.

1. Espere hasta que la barrena y el impulsor se hayan detenido por completo.
2. Elimine cualquier obstrucción visible con la herramienta de limpieza conectada a su máquina.

¡ADVERTENCIA! NO intente limpiar las obstrucciones con las manos o los pies.

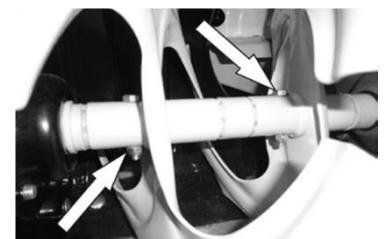
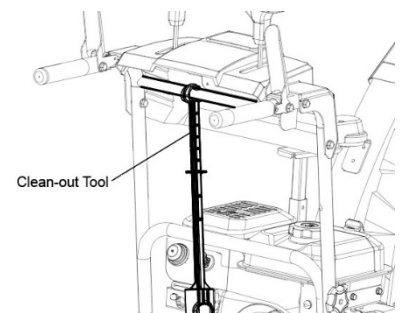
REEMPLAZAMIENTO DE PASADORES DE SEGURIDAD DE LA BARRENA

Los pasadores de seguridad se utilizan para unir el eje de la barrena a las cuchillas de la barrena. Una obstrucción o atasco en los sinfines puede causar la rotura de uno o varios pasadores de seguridad. Detenga el motor quitando la llave de seguridad. Los pasadores de corte son un mecanismo de seguridad y están diseñados para romperse bajo una alta carga o impacto y proteger el sistema de accionamiento de la barrena contra daños.

Se le ha proporcionado pasadores de seguridad de repuesto y tuercas de seguridad de nylon junto con su quitanieves.

Para obtener pasadores de seguridad de repuesto adicionales, llame al departamento de servicio al cliente al 800-791-9458.

1. Apague el motor y espere a que todas las piezas en movimiento se detengan por completo. Retire los restos del pasador de seguridad roto. Puede ser necesario primero desenroscar la tuerca del pasador de seguridad roto y después sacar el pasador roto.



2. Inserte un nuevo pasador de seguridad a través del orificio en el eje de la barrena y fíjalo usando la tuerca de seguridad de nylon del pasador de seguridad. No apriete demasiado la tuerca de seguridad de nylon.
TEN EN CUENTA: Nunca reemplace los pasadores de seguridad con pasadores o sujetadores estándares. El soplador de nieve y los sistemas de accionamiento pueden sufrir daños.

SOLUCIÓN DE PROBLEMAS

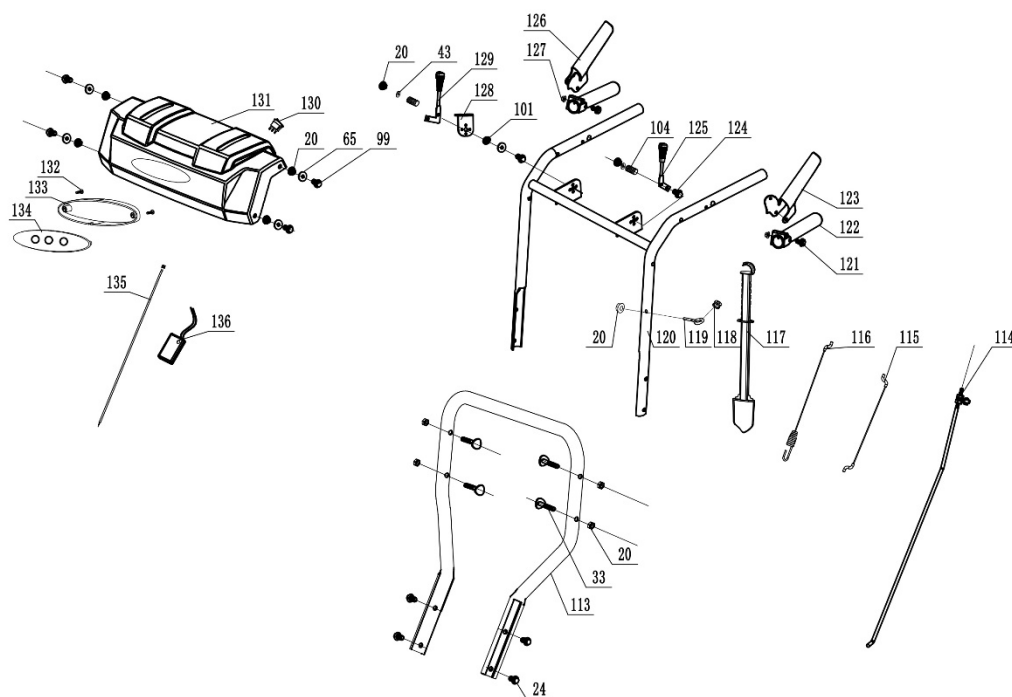
Problema	Causas	Solución
ADVERTENCIA - Antes de intentar realizar cualquier inspección, reparación o ajuste, detenga el motor, espere a que todas las piezas en movimiento dejen de moverse y desconecte cuidadosamente el cable de la bujía del motor. Si es necesario inclinar o girar la quitanieves para cualquier inspección o reparación, primero espere hasta que el motor esté frío al tacto y luego vacíe el combustible y aceite del motor guardándolos en recipientes adecuados y almacénelos o deséchelos adecuadamente.		
Sistemas del motor - Nota: Para todos los problemas del motor, vea la información de Troubleshooting abajo.		
Fallo en el arranque del motor (Parte superior de la biela del motor)	El cable de la bujía está desconectado	Conecte el cable a la bujía
	Bujía defectuosa	Limpie, ajuste el espacio o reemplace la bujía.
	Motor anegado por combustible	Interrumpa el uso de cebador o iniciador, limpie o reemplace la bujía.
	Llave de seguridad no insertada en la ignición del motor	Inserte la llave completamente en el interruptor
	El cebador no está en la posición START	Mueva el estrangulador a la posición de START, una vez que el motor haya arrancado lentamente, muévelo a la posición de RUN a medida que la velocidad del motor y el funcionamiento se estabilice a las rpm configuradas. Si el motor aún no arranca, muévase el cebador a la posición intermedia y arranque el motor.
	Combustible incorrecto, viejo o rancio, no arderán	Vacíe y limpie el tanque de combustible y el carburador, vuelva a llenarlo con gasolina limpia y fresca. (Nota: El combustible puede volverse rancio después de 30 días en algunos casos)
	Sistema o línea de combustible obstruida o bloqueada	Limpie el sistema o línea de combustible
El arranque eléctrico del motor no arrancará el motor	El cable de extensión no está conectado correctamente al terminal de arranque eléctrico	Vuelva a insertar el cable de extensión en el terminal de arranque eléctrico.
	No hay energía suministrada por la fuente de alimentación, interruptor activado	Verifique que el cable de extensión de la fuente de alimentación esté conectado.
	El calibre del cable de extensión es demasiado pequeño o el cable es demasiado largo	Utilice el cable de extensión del calibre y longitud adecuada, consulte el manual del Operador del Motor
El motor funciona de manera	Cebador en posición ON o en posición ON parcial	Mueva la palanca del cebador a la posición RUN
	Combustible incorrecto, viejo o rancio	Vacíe y limpie el tanque de combustible y el carburador, vuelva a llenarlo con gasolina limpia y fresca. (Nota: El combustible puede volverse rancio después de 30 días en algunos casos)
	Sistema o línea de combustible obstruida o bloqueada	Limpie el sistema o línea de combustible
	El carburador necesita limpieza	Limpie el sistema de combustible y el carburador
	Cable de la bujía floja	Conecte y tense el cable de la bujía

errática está paralizado o parece bajo en energía	Bujía defectuosa	Limpie, ajuste el espacio o reemplace la bujía, véase el manual del Operador del Motor
	Sobrellenado del aceite de motor	Drene el aceite al nivel adecuado. El aceite no debe estar arriba de las 2 roscas superiores del tapón de llenado INFERIOR.
	Nivel de aceite del motor bajo o vacío	Añada aceite
Sistema de manejo		
Sin movimiento de avance o retroceso cuando el mango de la unidad está embragado	Correa de transmisión floja o dañada	Revise la polea tensora de la correa de transmisión para observar si está dañada o tiene una tensión incorrecta, repárela según sea necesario. Reemplace correa de transmisión.
	La rueda de fricción está desgastada o dañada	Reemplace la rueda de fricción
	Rueda motriz de fricción mojada o resbaladiza	deje que se seque o clienta la quitanieves o ajuste la tensión del cable de transmisión según sea necesario.
	Rueda de ejes pasadores rotos o faltantes	Reemplace los pasadores que sujetan las ruedas al eje
El control de velocidad de la transmisión está bloqueado o no cambia de marcha	Palanca de control de velocidad floja o dañada, no mueve los cables de control de velocidad	Compruebe la palanca de control de velocidad y los cables en busca de posibles daños o partes sueltas o faltantes. Repare o reemplace las piezas según sea necesario, asegúrese de que la tensión del resorte del perno giratorio sea la correcta, ajuste la tensión del resorte de la tuerca pivotante según sea necesario.
	Cables de control de velocidad sueltos, dañados o enredados	Repare, ajuste o reemplace según sea necesario
El control de velocidad de manejo solo permite 1 dirección	Cables de control de velocidad desajustados, sueltos, dañados o enredados	Compruebe la palanca de control de velocidad y los cables en busca de posibles daños o partes sueltas o faltantes. Repare o reemplace las piezas según sea necesario. Ajuste los cables de control de velocidad de transmisión, consulte Ajuste de Cables de Control de Velocidad de Transmisión
La transmisión está embragada cuando se suelta el mango de control	Cable del control de transmisión enredado, no se libera	Repare, reemplace el cable según sea necesario
	Resorte de retorno de la rueda motriz de fricción roto o faltante	Reemplace el resorte, ajuste el cable según sea necesario
Sistema de sinfín		
El sinfín no gira cuando la manija de control de la barrena está embragada o no sopla la nieve o el rendimiento de la quitanieves es bajo	Conjunto de la tolva obstruido	Limpie la tolva y el interior de la carcasa de la barrena con la herramienta de limpieza
	Pasadores de seguridad de la barrena rotos	Reemplace los pasadores de seguridad. Revise cada pasador de seguridad de la cuchilla de la barrena.
	Objeto extraño en el sinfín o el impulsor que causa que el sinfín se detenga sin pasadores de seguridad	Retire el objeto de las zonas de la sinfín o impulsor
	La correa de la barrena está suelta, resbaladiza, desgastada o dañada	Reemplace la correa de la barrena

	El cable de tensión de la correa de la barrena está flojo, dañado o enredado	Repare, ajuste o reemplace según sea necesario
	Las cuchillas de la barrena están dañadas o dobladas	Reemplace las cuchillas de la barrena
	Avería mecánica de la caja de engranajes de la barrena, el sistema de accionamiento de la barrena no gira libremente (atadura)	Revise los cojinetes, casquillos y todas las partes del sistema para encontrar los posibles daños o atascamiento mecánico. Repare o reemplace según sea necesario con una lubricación adecuada
	Avería en el impulsor	Reemplace el impulsor
	Impulsor no conectado al eje del impulsor, impulsor o pernos de seguridad rotos	Reemplace los pasadores de seguridad o el impulsor según sea necesario
	Velocidad de avance demasiado rápido durante el soplo exceso de carga de nieve	Deje que el motor mantenga su velocidad.
Sistema de sinfín		
Correa de la barrena rota o se produce fallos reiterados	El resorte de retorno del brazo de la polea tensora está roto o se ha perdido	Reemplace el resorte de retorno del brazo de tensión
	El brazo de la polea tensora está atascado o entrelazado	Repare o reemplace el brazo de tensión según sea necesario
	Polea o brazo de la polea de tensión de la barrena desalineada o dañada	Repare, reemplace o alinee el brazo de tensión y / o la polea según sea necesario
	Material extraño en las poleas y la correa, aceite, grasa, suciedad, etc.	Limpie la correa y las poleas según sea necesario, reemplace la correa si es necesario
	Poleas de sinfín desalineadas, sueltas, dañadas o dobladas	Reemplace o alinee las poleas según sea necesario
	Correa de sinfín incorrecta o dañada	Reemplácela por una correa del tamaño y del tipo adecuado
	Pasador guía de la correa de la barrena no ajustado	Ajuste la clavija de la guía de la correa dentro del intervalo de 1/8 a 3/16 pulg. respecto a la polea. (El pasador de guía mantiene la correa en la polea cuando está desenganchada)
El sinfín gira cuando se libera la manija de control de la barrena	El resorte de retorno del brazo de la polea tensora está roto o se ha perdido	Reemplace el resorte de retorno del brazo de tensión

VISTA EN DETALLE Y LISTA DE COMPONENTES

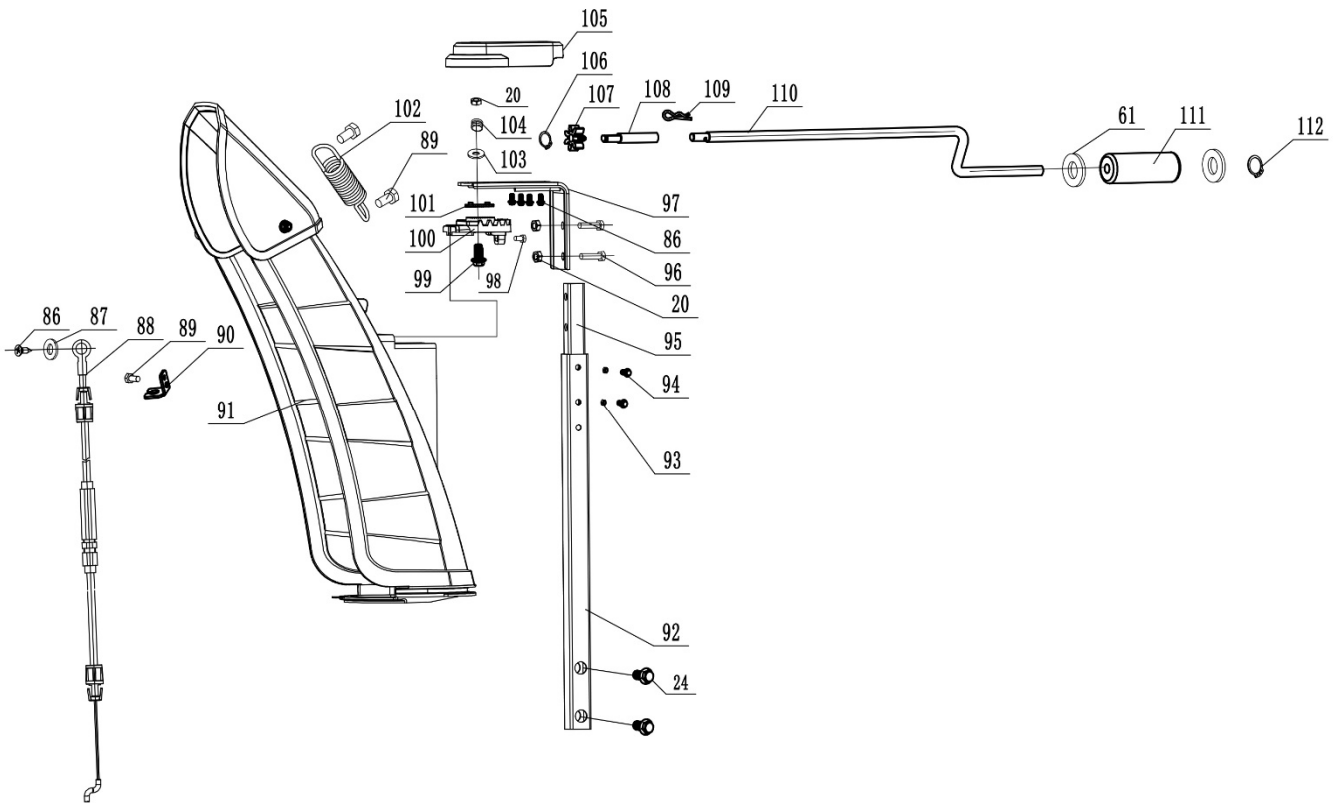
CONJUNTO PANEL



Item	Stock#	Description	Qty
24	303020498	Tornillo M8×18	4
113	303160909	Asa inferior	1
33	303020154	Tornillo M8×40	4
20	303030077	Tuerca de bloqueo de brida M8	4
114	202580001	Varilla de conexión de control de velocidad	1
115	303200153	Cable de barrena superior	1
116	303200152	Cable de transmisión superior	1
117	203051135	Herramienta de limpieza	1
118	302080018	Anillo de goma	1
119	303080674	Barra de soporte	1
120	303181466	Soldadura del mango superior	1
20	303030077	Tuerca de bloqueo de brida M8	1
121	303020486	Tornillo M6×50	2
122	203070105	Manguito de mango	2
123	303071335	Disparador de control izquierdo	1
124	303020654	Tornillo M8×35	2
125	203010977	Manija de control	1
104	303130369	Primavera	2

Item	Stock#	Description	Qty
126	303071336	Disparador de control derecho	1
127	303030025	Nueces M6	2
101	203020380	Almohadilla dental	2
128	303071549	Placa fija	1
129	203010979	Manija de control	1
43	303042023	Arandela plana	2
20	303030077	Tuerca de bloqueo de brida M8	2
99	303020275	Tornillo M8×40	4
66	303042013	Arandela plana	4
20	303030077	Tuerca de bloqueo de brida M8	4
130	301100037	Interruptor de luz	1
131	202030117	Panel	1
132	303010159	Tornillo 4.2x12mm	3
133	203050561	Cubierta posterior	1
134	202500002	Montaje del panel de luz	1
135	301040130	Línea de conexión	1
136	306010059	Caja de baterías	1
126	303071336	Disparador de control derecho	1

CONJUNTO DE LA TOLVA



Item	Stock#	Description	Qty
86	303010270	Tornillo ST4.2×14	1
87	303042019	Arandela plana	1
88	303200151A	Cable de paracaídas de nieve	1
89	303010353	Tornillo ST6.3*16	1
90	303071641	Soporte de cable	1
91	202120185	Tolva	1
24	303020498	Tornillo M8×18	2
92	303081362	Tubo de soporte soldado	1
93	303030087	Nueces M6	2
94	303020507	Tornillo M6×35	2
95	303081359	Tubo de soporte pequeño soldado	1
20	303030077	Tuerca de brida M8	2
96	303020583	Tornillo M8×35	2
86	303010270	Tornillo ST4.2×14	4
97	303071639	Placa de soporte	1
98	303010332	Tornillo ST6.3x20	1
99	303020275	Tornillo M8×40	1

Item	Stock#	Description	Qty
100	203021536	Engranaje de dirección del canal	1
101	203020380	Almohadilla dental	1
89	303010351	Tornillo ST6.3*14	2
102	303130393	Muelle de tracción	1
103	303042138	Arandela plana	1
104	303130369	Muelle de compresión	1
20	303030077	Tuerca de seguridad M8	1
105	203010980	Cubierta del engranaje de dirección	1
106	303050008	Anillo de eje	1
107	303060178	Piñón de dirección	1
108	303160984	Eje de dirección	1
109	303160845	Clavija	1
110	303160905	Z-largo rockero	1
61	303042004	Arandela plana	2
111	203021460	Palanca basculante	1
112	303050029	Anillo de eje	1

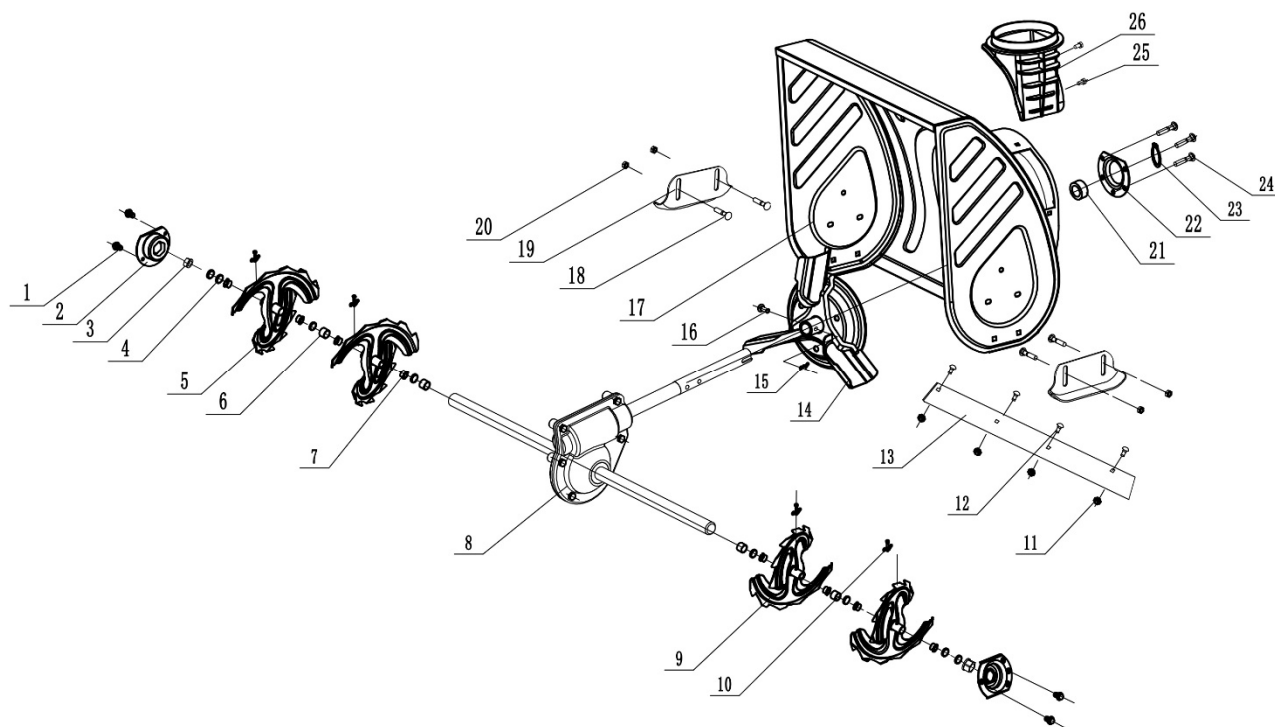
Item	Stock#	Description	Qty
27	303190351	Motor 212CC	1
28	303160192B	Pequeño espaciador de placa tensora	1
29	303070202	Placa tensora pequeña	1
30	303042005	Arandela plana $\phi 8 \times \phi 28 \times 3$	1
31	303020265	Tornillo M8x30	1
20	303030077	Brida Contratuerca M8	1
32	203100004	Conjunto de rueda de tensión	1
33	303020154	Perno de paso M8 \times 40	1
34	303130094	Resorte de soporte de rueda de fricción	1
35	303160432	Tornillo M8	1
36	303060040	Almohadilla ajustable	1
37	303060041	Polea Sincrónica	1
38	303060064	Almohadilla ajustable	2
39	303043021	Lavadora	1
40	303160152A	Rueda de correa trapezoidal	1
41	9141960101	Tecla rectangular	1
30	303042005	Arandela plana	1
31	303020265	Tornillo M8x30	1
42	303020457	Tornillo M8x25	1
43	303042023	Arandela plana	3
44	303081365	Palanca de tope de correa	1
45	303043016	Arandela de bloqueo de dientes externos	1
46	303160177	Tornillo de polea guía M6	3
47	203020364	Polea de guía	3
48	303030032	Contratuerca M6	3
49	303030066	Tuerca M8	4
50	303041022	Arandela de resorte $\Phi 8$	4
43	303042023	Arandela plana	4
51	303070418A	Placa de rueda de guía	1
52	303181440	Horquilla de cambio de marchas soldada	1
53	303042069	Arandela plana	2
54	303071631	Choix de l'équipe	1
20	303030077	Tuerca de bloqueo Flang M8	1
55	303071243	Plaque de roue de guidage	1
25	303020561	Tornillo M6x16	4
56	202020116	Soldadura de Marco	1
57	303200050	Cable de accionamiento inferior	1
58	303200012	Cable de barrena inferior	1

Item	Stock#	Description	Qty
59	203050513	Placa de fondo grande	1
60	303030059	tuerca de bloqueo M10	1
61	303042004	Arandela plana	1
62	303100051	Rodamiento rígido de bolas 6203Z	2
63	303160799	Seis manga cuadrada	1
64	202160007	Conjunto de rueda de fricción	1
65	303042013	Arandela plana	1
24	303020498	Tornillo M8x18	1
66	303050524	Anillo	1
67	202570001	Montaje del soporte de la polea	1
68	303100105	Eje de bloqueo	2
69	303071633	Placa de gran tensión	1
61	303042004	Arandela plana	1
70	303020680	Tornillo	1
71	203060034	7109 Polea grande	1
72	302040079	Correa trapezoidal de 720 mm, 4LXA	1
24	303020498	Tornillo M8x18	2
73	303160983	Muelle de tensión de la placa de tensión	1
33	303020154	Perno M8x40	1
74	203100003	Conjunto de rueda tensora	1
20	303030077	Tuerca de seguridad M8	1
34	303130094	Resorte de soporte de rueda de fricción	1
24	303020498	Tornillo M8x18	6
75	202170006	Conjunto de rueda de fricción	1
76	303042042	Arandela plana	1
77	303020244	Tornillo M6x14	1
78	302040078	Correa síncrona	1
25	303020561	Tornillo M6x16	2
79	203051019	Cubierta de la correa	1
15	303160987	Luchar contra la caída	2
16	303160815	Pin cilíndrico elástico	2
80	302090217	Conjunto de rueda de 13 "	2
81	203050140	Casquillo espaciador	2
82	303050028	Anillo de eje $\Phi 19$	1
83	303060030	Cojinete	2
84	303160876	Engranaje grande	1
15	303160987	Luchar contra la caída	1
16	303160815	Pin cilíndrico elástico	1

25	303020561	Tornillo M6x16	4
----	-----------	----------------	---

85	303160880	Eje	1
----	-----------	-----	---

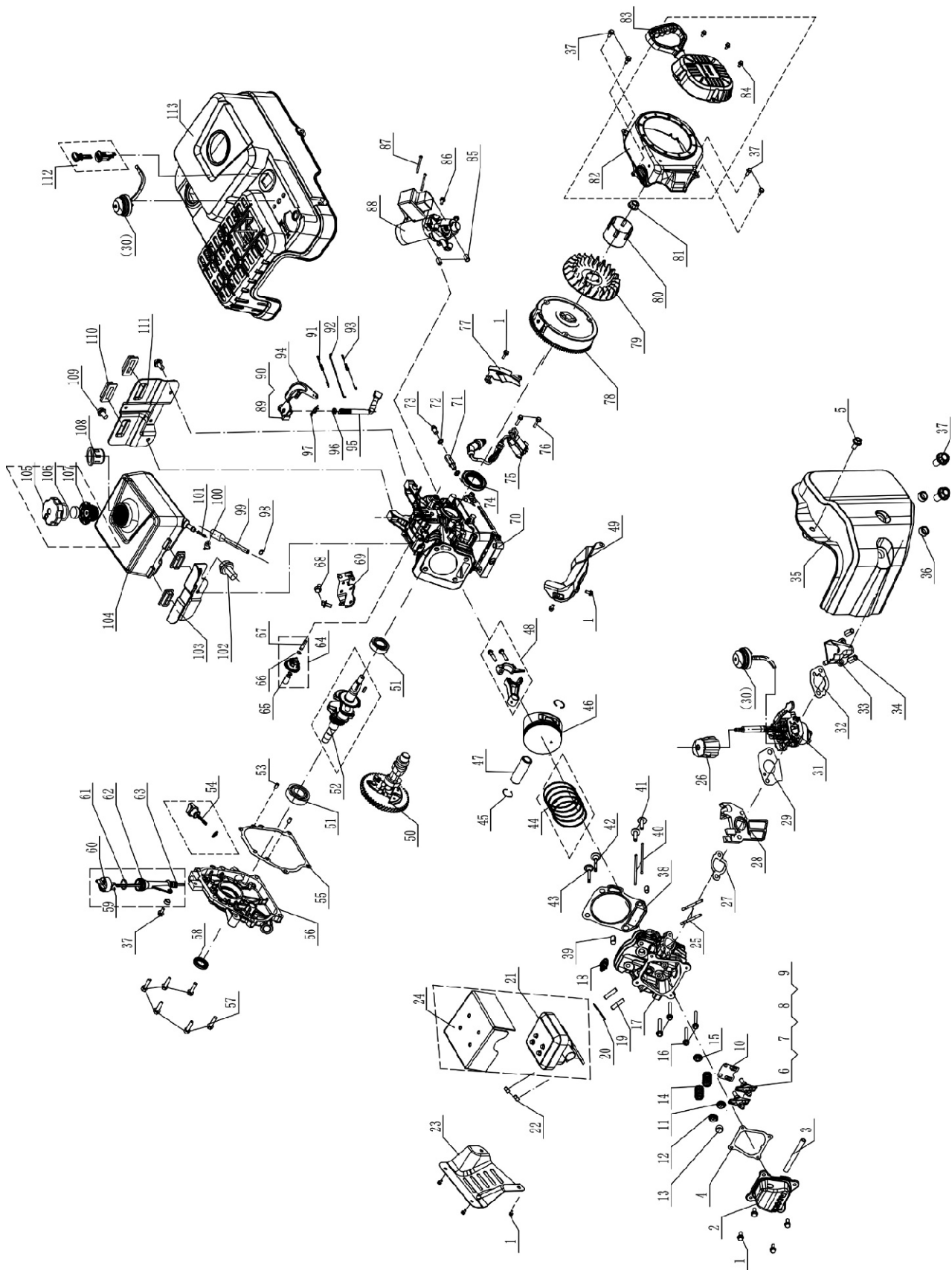
CONJUNTO DE LA CARCASA DE LA BARRENA



Item	Stock#	Description	Qty
1	303020681	Perno de brida hexagonal M8X16	4
2	303071607	Rodamiento de bloque	2
3	203060013	Rodamiento de plástico	2
4	203050109	Casquillo espaciador 2	10
5	303180409	Soldadura de Barrena Derecha	2
6	203050108	Casquillo espaciador 1	6
7	203060012	Manga de barrena	8
8	202340011	Combinación de caja de cambios de gusano	1
9	303180410	Soldadura de Barrena Izquierda	1
10	202560001	Clavija de corte	4
11	303030076	Brida tuerca normal M8	4
12	303020542	Perno M8 x 14	4
13	303071656	Afeitado de 26"	1

Item	Stock#	Description	Qty
14	303181436	Impulso	1
15	303160987	Luchar contra la caída	1
16	303160815	Pin cilíndrico elástico	1
17	202480008	combinación de carcasa de 26"	1
18	303020166	Perno M8 x 18	4
19	303070197	Zapatos antideslizantes	2
20	303030077	Tuerca de bloqueo Flang M8	4
21	303100040	Cojinete	1
22	303070233A	Placa de cojinete	1
23	303050068	anillo de retención del eje	1
24	303020498	Tornillo	3
25	303020561	Tornillo	2
26	203051016	Asiento del canal inferior	1

ENGINE EXPLODE VIEW AND BOM LIST



Item	Stock#	Description	Qty
1	303020444	Tornillo brida con cabeza hexágona M6X12	9
2	9020960102	Cubierta de respiración	1
3	9051960302	Tubo de silenciador	1
4	9245960103	Tapa de la cabeza del cilindro	1
5	303020562	Tornillo M6X10	3
6	9143960101	Tuerca de bloqueo de aire	2
7	9143960102	Tolerancia de las válvulas de la tuerca de ajuste	2
8	9230960101	Válvula basculante	2
9	9142960101	Perno de ubicación del asiento de balancín	2
10	9220960101	Placa de guía de la varilla de empuje	1
11	9170960102	Asiento del muelle de la válvula de admisión	1
12	9402960101	Tapa de ajuste de la válvula de escape	1
13	9170960103	Asiento de resorte de la válvula de escape	1
14	9531960101	Válvula de resorte	2
15	9245960101	Conjunto de escudo de aceite	1
16	303020620	Tornillo M8X60	4
17	9020960101	Conjunto de culata	1
18	9566960301	Bujía	1
19	303010324	Perno silenciador	2
20	9245960105	Junta de silenciador	1
21	202370052	Montaje de silenciador	1
22	303030111	Tuerca M8	2
23	9226960501	Ayuda a la vivienda	1
24	9569960513	Protector térmico silenciador	1
25	303010323	Perno carburador	2
26	203021535	Perilla del carburador	1
27	9245960107	Junta obturadora	1
28	9535960101	Deflector térmico	1
29	9245960108	Junta obturadora	1
30	9532960501	Montaje de la bomba de cebado	1
31	9568960501	Conjunto de carburador	1
32	9245960102	Lavadora de filtro vacía	1
33	9170960101	Un soporte para el filtro vacío	1

Item	Stock#	Description	Qty
58	9246960502	Sello de aceite	1
59	303010095	Autoperforantes Tornillo ST4X14	1
60	9198960102	Cubierta de regla de alto aceite	1
61	9247960103	Junta tórica	1
62	9198960103	Guía de la regla del aceite	1
63	9247960101	Junta tórica	1
64	9438960101	Combinación de engranajes de regulación de velocidad	1
65	9092960101	Casquillo guía	1
66	303043040	Lavadora	2
67	9121960101	Eje del engranaje	1
68	303020444	Tornillo brida con cabeza hexágona M6X12	2
69	9228960301	Placa de fijación del asiento del gobernador	1
70	9563960501	Eje de bloqueo	1
71	303020518	Perno de drenaje	1
72	303043042	Arandela de aluminio	2
73	303020508	Purga polla	1
74	9246960502	Sello de aceite	1
75	9565960301	Conjunto de encendedor	1
76	303020490	Tornillo Bolt M6X25	2
77	9221960501	Cubierta lateral del volante de inercia	1
78	9152960501	Componentes del volante	1
79	9414960101	Ventilador	1
80	9194960501	Placa pasiva	1
81	303020511	Tuerca M14X1.5	1
82	9226960301	Cuchara de viento	1
83	9528960301	Conjunto de arranque	1
84	303020515	Tornillo M6X8	4
85	9140960104	Clavija posicionadora	2
86	303020512	Tornillo M6X30	2
87	303020517	Tornillo M4X55	2
88	9421960101	Montaje del arranque del motor	1
89	303020513	Tornillo T	1
90	303030112	Tuerca hexagonal con dientes	1

34	303020382	Tornillo M6X20	2	91	9332960101	Muelle tensor regulador de velocidad	1
35	9170960501	Cubierta vacía del filtro	1	92	9013960102	Putter choke	1
36	9140960106	Cojinete	2	93	9332960202	Resorte de tensión del acelerador	1
37	303020382	Tornillo M6X12	1	94	9230960101	Válvula basculante	1
38	9245960504	Junta de culata	1	95	9005960501	Asa de válvula de estrangulación	1
39	9140960102	Pasador del pistón	2	96	303043040	Lavadora	1
40	9013960501	Varilla de empuje	2	97	9534960101	Chaveta dividida	1
41	9536960501	Taquete de Válvulas	2	98	9533960201	Abrazadera de tubo	1
42	9113960102	Válvula de escape	1	99	9051960501	Tubo de aceite	1
43	9113960101	Varilla de empuje	1	100	9533960902	Abrazadera de tubo	1
44	9564960501	Taquete de Válvulas	1	101	9115960901	Filtro de combustible	1
45	9146960501	Pin de ubicación	2	102	303020506	Tornillo M8X12	1
46	9129960501	Válvula de escape	1	103	9226960502	Soporte del tanque A	1
47	9140960501	Pasador del pistón	1	104	9529960501	Montaje del depósito de combustible	1
48	9015960501	Biela	1	105	9529960302	Tapón de gasolina con lengüeta	1
49	303071360	Fairwater	1	106	9247960103	Junta tórica	1
50	9158960501	Asamblea de Árbol	1	107	9529960103	Tapón de rosca del tanque de aceite	1
51	303100072	Cojinete	2	108	9115960101	Filtro de combustible	1
52	9122960501	Conjunto de cigüeñal	1	109	303020444	Tornillo brida con cabeza hexágona M6X12	2
53	9140960103	Pin de ubicación	1	110	302030058	Amortiguamortigu	4
54	9198960101	Indicador de nivel de aceite	1	111	9226960503	Apoyo a tanques de aceite B	1
55	9245960106	Junta de caja	1	112	9440960102	Conjunto de interruptor principal	1
56	9563960102	Cubre cárter izquierdo	1	113	9225960501	Cubierta exterior	1
57	303020509	Tornillo M8X32	6				

GARANTÍA LIMITADA A DOS (2) AÑOS

PowerSmart se compromete a crear herramientas que son fiables por años. Nuestras garantías son consistentes con nuestro compromiso y dedicación a la calidad.

GARANTÍA LIMITADA DE DOS (2) AÑOS EN PRODUCTOS POWER SMART DE USO DOMÉSTICO.

PowerSmart ("Vendedor") garantiza únicamente al comprador original, que todas las herramientas eléctricas de consumo PowerSmart estarán libres de defectos tanto en los materiales como en la mano de obra durante un período de dos (2) años a partir de la fecha de compra. Noventa (90) días para todos los productos PowerSmart, si la herramienta se usa para uso profesional o comercial.

LA ÚNICA OBLIGACIÓN DEL VENDEDOR Y SU RECURSO EXCLUSIVO en virtud de esta Garantía limitada de dos (2) años y, en la medida permitida por la ley, cualquier garantía o condición implícita por ley, será la reparación o reemplazo de piezas, sin cargo, que sean defectuosas en el material o mano de obra y que no hayan sido mal utilizados, manejados por negligencia o reparados inadecuadamente por personas que no sean el Vendedor o el Centro de Servicio Autorizado. Para realizar una reclamación bajo esta Garantía Limitada, debe devolver el producto de herramienta eléctrica completo; con el transporte prepago, a PowerSmart Incluya una copia legible del recibo original, que enumera la fecha de compra (mes y año) y el nombre de la compañía de donde fue adquirido.

ESTA GARANTÍA LIMITADA NO SE APLICA A NINGÚN ACCESORIO INCLUIDO CON LA HERRAMIENTA, COMO LAS HOJAS DE SIERRA CIRCULAR, OTROS ARTÍCULOS RELACIONADOS O CUALQUIER PIEZAS DE REPUESTO ENUMERADAS BAJO MANTENIMIENTO.

CUALQUIER GARANTÍA IMPLÍCITA SE LIMITARÁ A UNA DURACIÓN DE DOS (2) AÑOS A PARTIR DE LA FECHA DE COMPRA. PARA ALGUNOS ESTADOS DE EE. UU Y ALGUNAS PROVINCIAS CANADIENSES NO PERMITEN LIMITACIONES EN CUANTO A LA DURACIÓN DE LA GARANTÍA IMPLÍCITA, POR LO QUE ES POSIBLE QUE LA LIMITACIÓN ANTERIOR NO SE APLICA EN SU CASO.

BAJO NINGUNA CIRCUNSTANCIA, EL VENDEDOR SERÁ RESPONSABLE DE DAÑOS INCIDENTALES O CONSECUENTES (INCLUIDOS, ENTRE OTROS, LA RESPONSABILIDAD POR PÉRDIDAS DE GANANCIAS) DERIVADOS DE LA VENTA O EL USO DE ESTE PRODUCTO. PARA ALGUNOS ESTADOS DE EE. UU Y ALGUNAS PROVINCIAS CANADIENSES NO PERMITEN LIMITACIONES O EXCLUSIÓN DE DAÑOS INCIDENTALES O CONSECUENTES, POR LO QUE ES POSIBLE QUE LA LIMITACIÓN ANTERIOR NO SE APLICA EN SU CASO.

ESTA GARANTÍA LIMITADA LE OTORGA DERECHOS LEGALES ESPECÍFICOS Y TAMBIÉN PUEDE TENER OTROS DERECHOS QUE VARÍAN DE ESTADO A ESTADO EN EE.UU., PROVINCIA A PROVINCIA EN CANADÁ Y DE PAÍS A PAÍS

Para dudas / comentarios, asistencia técnica o partes de reparación, llame gratis a: 1-800-791-9458 (M-F 9am – 5pm EST) Email: support@amerisuninc.com

CONSERVE SUS RECIBOS. ESTA GARANTÍA PIERDE SU VALIDEZ SI NO SE PRESENTAN LOS RECIBOS.