



POWERSMART[®]

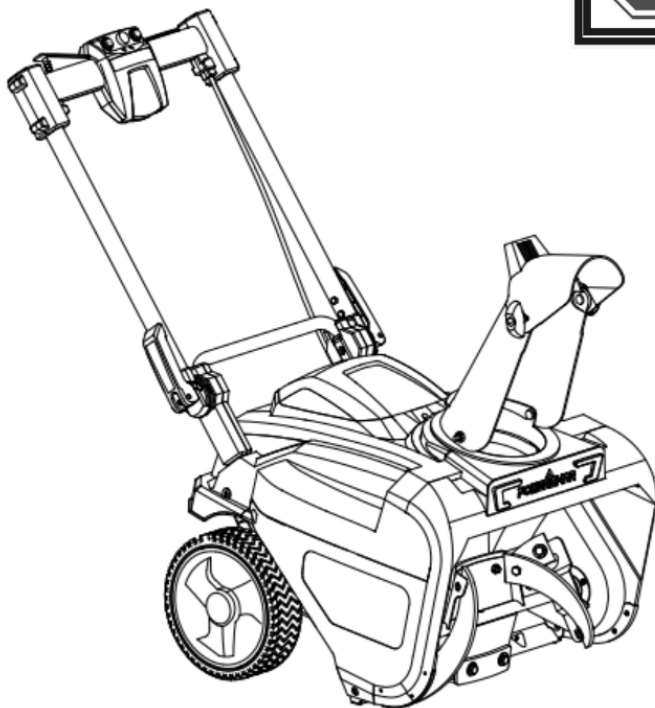
INSTRUCTION MANUAL

EN 80V 21 inch Cordless Snow Blower

FR Souffleur de neige sans fil 80V 21 Pouces

ES Soplador de nieve inalámbrico 80V 21 Pulgadas

Model #DB2801RB



Have product questions or need technical support? Please feel free to contact us!

Website: www.PowerSmartUSA.com

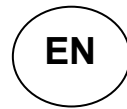
Tollfree: 1-800-791-9458 Mon-Fri 9-5 EST Email:

support@amerisuninc.com



Website

TABLE OF CONTENTS



Technical Data.....	3
Introduction.....	4
Safety Symbols.....	4
Training	7
Knowing Your Snow Blower.....	9
Assembly	10
Operation.....	11
Maintenance.....	16
Troubleshooting.....	16
Exploded View & Parts List.....	17
Warranty.....	23

TECHNICAL DATA

21 inch Single Stage Cordless Snow Blower

Model #:	DB2801RB
Battery Voltage:	80V
Battery Capacity:	6Ah
Charging Time:	90 minutes
Clearing Width:	21 inch
Clearing Height:	12.5 inch
Chute Rotation Angle:	180°
Wheel Size:	8 inch
Overall Dimensions:	26.4x22.4x21 in
Weight:	71 lbs

Thank you for purchasing PowerSmart products.

It is crucial and highly recommended that you read this instruction manual in its' entirety, as this is an invaluable tool and reference point in understanding the operation of your unit.

Please register your unit online at www.powersmartuse.com. This process will allow us to track your warranty information and update our records regarding your unit accordingly.

Important: Our company does not provide email or personal information to any third party for any reason. For any questions check our website or call customer service at (800)791 9458.

INTRODUCTION

Thank You for Purchasing a PowerSmart® Product. This manual provides information regarding the safe operation and maintenance of this product. Every effort has been made to ensure the accuracy of the information in this manual. PowerSmart® reserves the right to change this product and specifications at any time without prior notice.

Please keep this manual available to all users during the entire life of the snow Blower.




This manual contains special messages to bring attention to potential safety concerns, snow blower damage as well as helpful operating and servicing information. Please read all the information carefully to avoid injury and machine damage.

QUESTIONS? PROBLEMS?


Please contact our Customer Service Dept. with any questions and/or comments, either by email: support@amerisuninc.com, or Toll Free at (800) 791-9458. We are available Mon-Fri 9am-5pm EST to help solve any issues that you might encounter.

SAFETY SYMBOLS


The purpose of safety symbols is to attract your attention to possible dangers. The safety symbols and the explanations with them deserve your careful attention and understanding. The symbol warnings do not, by themselves, eliminate any danger. The instructions and warnings they give are no substitutes for proper accident prevention measures.

 **WARNING:** Be sure to read and understand all safety instructions in this Operator's Manual, including all safety alert symbols such as "DANGER," "WARNING," and "CAUTION" before using this tool. Failure to follow all instructions listed below may result in electric shock, fire, and/or serious personal injury.

SYMBOL MEANING

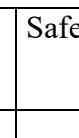

 **SAFETY ALERT SYMBOL:** Indicates **DANGER, WARNING, or CAUTION.**
May be used in conjunction with other symbols or pictographs.




 **WARNING:** The operation of any power tools can result in foreign objects being thrown into your eyes, which can result in severe eye damage. Before beginning power tool operation, always wear safety goggles or safety glasses with side shields and a full face shield when needed. We recommend a Wide Vision Safety Mask for use over eyeglasses or standard safety glasses with side shields. Always use eye protection which is marked to comply with ANSI Z87.1.

SYMBOL INSTRUCTION

This page depicts and describes safety symbols that may appear on this product. Read, understand, and follow all instructions on the machine before attempting to assemble and operate.

	Safety Alert	Indicates a potential personal injury hazard.
	Eye Protection	Always wear safety goggles or safety glasses with side shields and a full face shield when operating this product.
	Ear Protection	For protection against injury, wear ear defenders.
	Read Operator's Manual	To reduce the risk of injury, user must read and understand operator's manual before using this product.
	DANGER — Keep Hands Away from the Impeller	Do not use hands to unclog the chute.
	WARNING-ROTATING BLADES	Keep hands out of inlet and discharge openings while machine is running, there are rotating blades inside.
	Keep Feet Out of Impeller	Keep feet away from rotating impeller
	WARNING!	Always turn the machine OFF and remove the safety key before conducting inspection, cleaning, and maintenance.
	WARNING!	Indoor use only. Only use battery charger indoors.
	CAUTION!	CAUTION! Beware of stones and other foreign objects that could be thrown from the appliance.
	WARNING!	Keep bystanders and children a safe distance (at least 33 ft/10 m) away from the work area.
	Foot Protection	Wear protective gloves and non-slip footwear when using the machine and handling debris.
	STOP	The rotating part will continuously run for several seconds after you turn off the machine.

	Wet Conditions Alert	Do not expose to rain or use in damp locations.
IPX4	Ingress Protection Degree	Protection from splashing water
V	Volt	Voltage
A	Amperes	Current
Hz	Hertz	Frequency (cycles per second)
W	Watt	Power
min	Minutes	Time
⎓	Direct Current	Type or a characteristic of current

⚠ WARNING: To ensure safety and reliability, all repairs should be performed by a qualified service technician.

SAFE OPERATION PRACTICES FOR SNOW BLOWER

⚠ DANGER: This snow blower is capable of amputating hands and feet and throwing objects. Failure to observe the following safety instructions could result in serious injury.

FOR ALL SNOW BLOWERS

- Do not use on graveled surface.
- Keep Children Away – All visitors should be kept a safe distance from work area.
- Dress Properly – Do not wear loose clothing or jewelry. They can be caught in moving parts.
- Wear rubber boots when operating the snow blower.
- Keep hands away from moving parts.
- Keep guards in place and in working order.
- Don't Force Snow Blower – It will perform better and safer at the rate for which it was designed.
- Don't Overreach – Keep proper footing and balance at all times.
- If the snow blower strikes a foreign object, follow these steps:
 1. Stop snow blower. Release the switch.
 2. Remove the battery pack and safety key.
 3. Inspect for damage.
 4. Repair any damage before restarting and operating the snow blower.
- When not in use, snow blowers should be stored indoors in dry, locked-up place – out of reach of children.

TRAINING

- Read, understand, and follow all instructions on the machine and in the manual before operating this unit. Be thoroughly familiar with the controls and the proper use of the equipment. Know how to stop the unit and disengage the controls quickly.
- Never allow children to operate the equipment. Never allow adults to operate the equipment without proper instruction.
- Keep the area of operation clear of all persons, particularly small children.
- Exercise caution to avoid slipping or falling, especially when operating the snow blower in reverse.

PREPARATION

- Thoroughly inspect the area where the equipment is to be used and remove all doormats, sleds, boards, wires, and other foreign objects.
- Do not operate the equipment without wearing adequate winter garments. Avoid loose-fitting clothing that can get caught in moving parts. Wear footwear that will improve footing on slippery surfaces.
- Never attempt to make any adjustments while the motor is running (except when specifically recommended by manufacturer).
- Always wear safety glasses or eye shields during operation or while performing an adjustment or repair to protect eyes from foreign objects that may be thrown from the machine.

OPERATION

- Do not put hands or feet near or under rotating parts. Keep clear of the discharger always opening.
- Exercise extreme caution when operating on or crossing gravel drives, walks, or roads. Stay alert for hidden hazards or traffic.
- After striking a foreign object, stop the motor, remove the battery pack, thoroughly inspect the snow blower for any damage, and repair the damage before restarting and operating the snow blower.
- If the unit should start to vibrate abnormally, stop the motor and check immediately for the cause. Vibration is generally a warning of trouble.
- Stop the motor whenever you leave the operating position, before unclogging the auger assembly housing or discharge chute, and when making any repairs, adjustments, or inspections.
- When clearing, repairing or inspecting the snow blower, stop the motor and make certain the auger assembly and all moving parts have stopped. Remove the battery pack to prevent someone from accidentally starting the motor.
- Exercise extreme caution when operating on slopes.
- Never operate the snow blower without proper guards and other safety protective devices in place and working.
- Never direct the discharge toward people or areas where property damage can occur. Keep children and others away.
- Do not overload the machine capacity by attempting to clear snow at too fast a rate.
- Disengage power to the auger assembly when snow blower is transported or not in use.
- Use only attachments and accessories approved by the manufacturer of the snow blower (such as rubber paddles, scraper bar and drive belt).

- Never operate the snow blower without good visibility or light. Always be sure of your footing, and keep a firm hold on the handles. Walk; never run.
- Use only with the battery pack and chargers listed below:

BATTERY PACK	CHARGER
DB2108	DB2208

CLEARING A CLOGGING DISCHARGE CHUTE

Hand contact with the rotating auger assembly inside the discharge chute is the most common cause of injury associated with snow blowers. Never use your hand to clean out the discharge chute.

To clear the chute:

- **SHUT THE MOTOR OFF!**
- Wait 10 seconds to be sure the auger assembly blades have stopped rotating.
- Always use a clean-out tool, **DO NOT** use your hands.

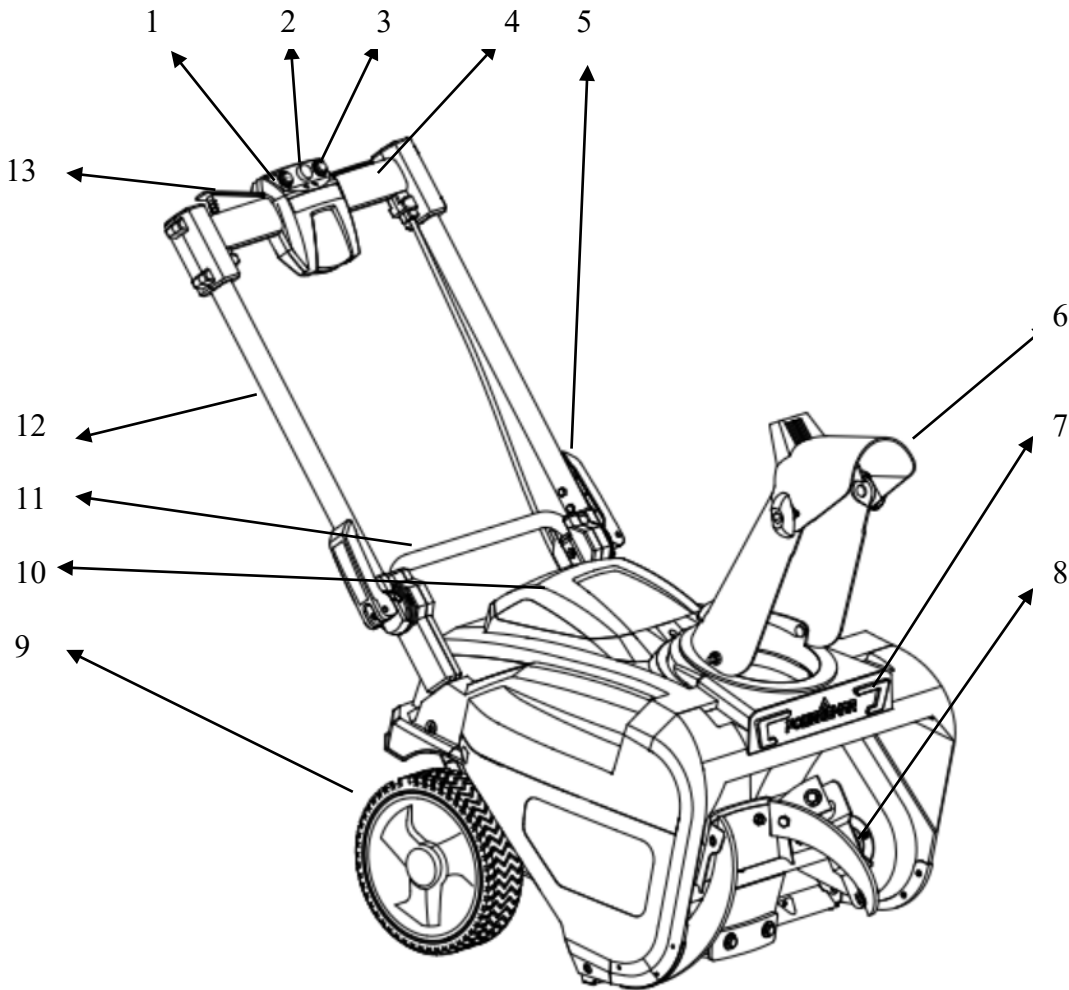
MAINTENANCE AND STORAGE

- Check all bolts or fasteners at frequent intervals for proper tightness to be sure the equipment is in safe working condition.
- Always refer to operator's manual for important details if the snow blower is to be stored for an extended period.
- Maintain or replace safety and instruction labels, as necessary.
- Run the machine a few minutes after blowing snow to prevent freeze-up of the auger assembly.
- Optimal charging temperatures are between 32°F (0°C) and 122°F (0°C - 50°C).

SAVE THESE INSTRUCTIONS. Refer to them frequently and use them to instruct others who may use this tool. If you lend this tool to someone else, also lend these instructions to them to prevent misuse of the product and possibly injury.

KNOWING YOUR SNOW BLOWER

Please use the illustration below to familiarize yourself with the location and function of the components that control of your snow blower.



- | | | | |
|---|---------------|----|-----------------------|
| 1 | Safety Button | 7 | LED Light |
| 2 | Chute Control | 8 | Auger |
| 3 | LED Switch | 9 | Wheel |
| 4 | Panel | 10 | Battery Cover |
| 5 | Knob | 11 | Lower Handle |
| 6 | Chute | 12 | Upper Handle |
| | | 13 | Auger Control Trigger |

Safety Button

Located on the right of the panel, the safety button must be pressed down before motor can be started.

Auger Control Trigger

Located on the right side of the panel, the Auger Control Trigger is used to engage and disengage the augers. Squeeze the Auger Control Trigger to engage the augers; release to disengage the augers.

LED Light

Located on the front of the unit, this feature provides extra light for increased visibility.

ASSEMBLY

The following section describes steps necessary to prepare the snow blower for use. If after reading this section, you are unsure about how to perform any of the steps please call (800) 791-9458 Mon-Fri 9-5 EST for customer service assistance. Failure to perform these steps properly can damage the snow blower.

! **WARNING:** To prevent accidental starting that could cause serious personal injury, always remove the battery pack from the tool when assembling parts.

! **WARNING:** If any parts are damaged or missing, do not operate this product until the parts are replaced. Use of this product with damaged or missing parts could result in serious personal injury.

! **WARNING:** Do not attempt to modify this tool or create accessories not recommended for use with this product. Any such alteration or modification is misuse and could result in a hazardous condition leading to serious injury.

Unpacking

Grasp the rear handle and the front part of the product at the same time to carefully lift the tool up and out of the carton. Remove any other accessories from the carton. Make sure that all items listed in the packing list are included.

Unpack the snow blower and all its parts and compare against the list below.

- Snow Blower
- Discharge Chute Assembly
- Battery Pack
- Charger
- Owner's Manual
- Safety Key

ASSEMBLY

Your Snow Blower will require some assembly. Please complete the following steps before using your Snow Blower.

Step 1: Unfolding the Upper Handle

1. Open the quick-release levers on both sides and gently pivot the upper handle upwards until they come to a stop. Fig.1
2. Close the quick-release levers and then tighten the knobs to secure the upper handle in place.

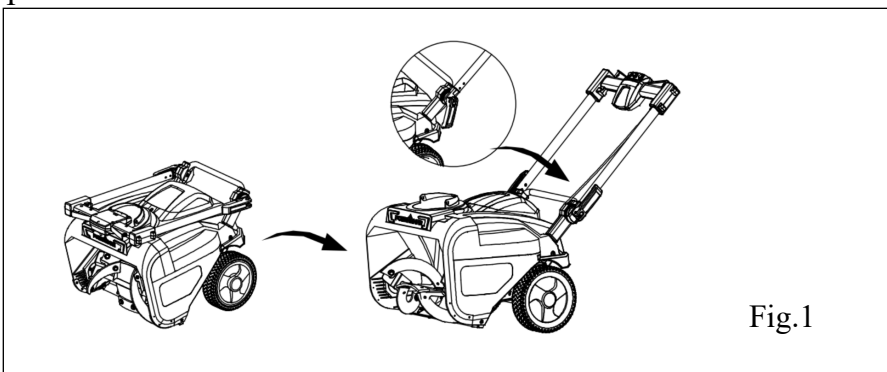
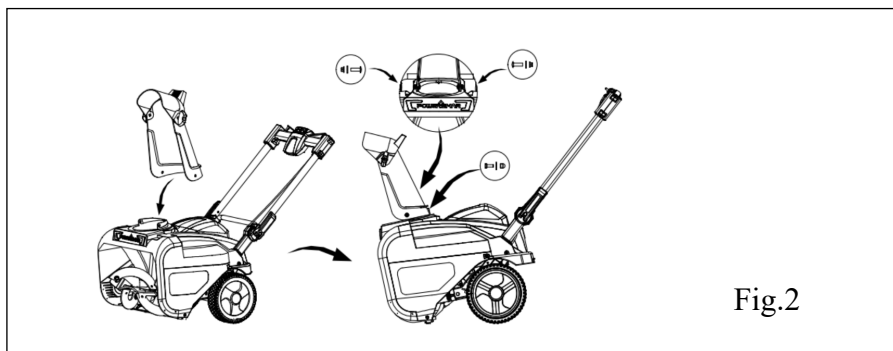


Fig.1

Step 2: Installing The Chute Assembly

1. Insert chute to the base. (See Fig. 2).
2. Using 13mm wrench secure chute to base with (3) Screws, washers and nuts provided.



OPERATION

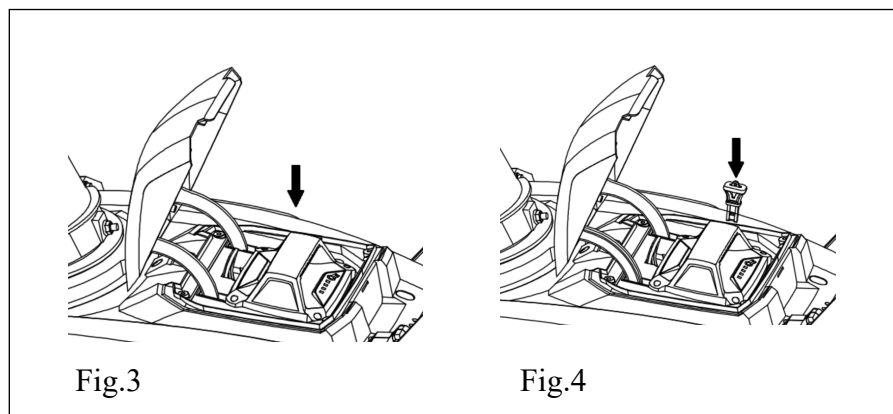
- ⚠ WARNING:** Do not allow familiarity with this product to make you careless. Remember that a careless fraction of a second is sufficient to inflict serious injury.
- ⚠ WARNING:** Always wear eye protection with side shields marked to comply with ANSI Z87.1. Failure to do so could result in objects being thrown into your eyes and other possible serious injuries.
- ⚠ WARNING:** Do not use any attachments or accessories not recommended by the manufacturer of this product. The use of attachments or accessories not recommended can result in serious personal injury.

To Install Battery Pack

When not in use, battery pack should be stored in an enclosed area where the temperature will not drop below -4°F (-20°C). Optimal charging temperatures are between 32°F (0°C) and 122°F ($0^{\circ}\text{C} - 50^{\circ}\text{C}$).

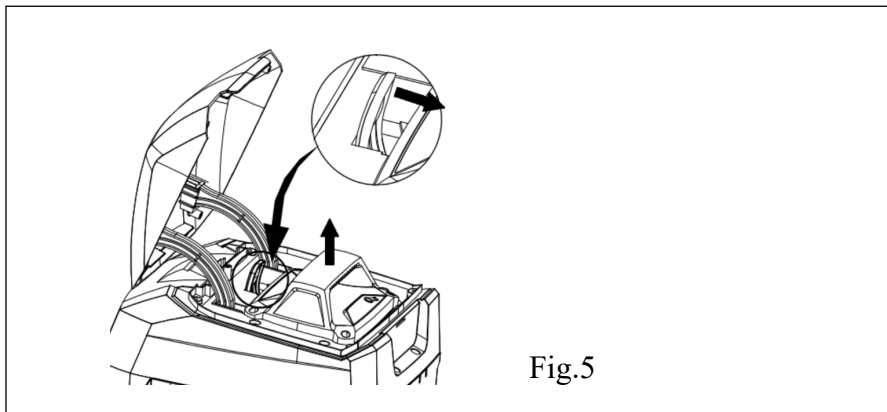
- ⚠ WARNING:** If any parts are broken or missing, do not attempt to attach the battery pack to the snow blower or operate the snow blower until the broken or missing parts are replaced. Failure to do so could result in serious injury.

1. Open the battery compartment cover and slide the battery vertical down as Fig 3 shows.
2. Insert the safety key into the slot and close the battery compartment cover as Fig 4 shows.



To Remove Battery Pack

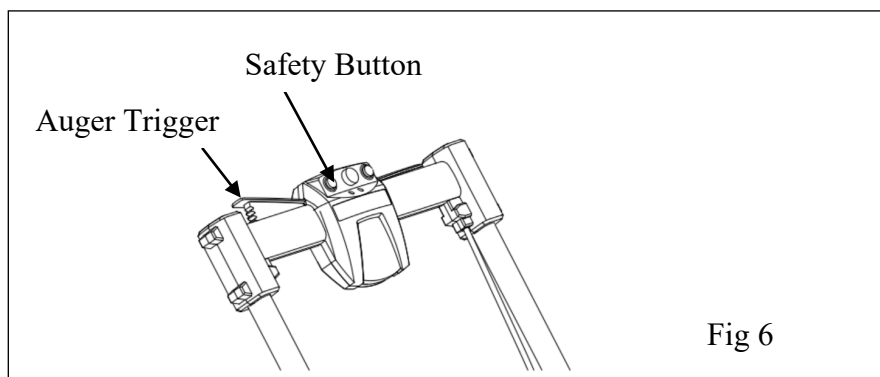
1. Remove safety key.
2. Press and hold the battery latch button at the bottom of the battery pack.
3. Remove battery pack from the product.



NOTICE: Make sure that the latch on the snow blower snaps into place and that the battery pack is secured to the unit before starting operation.

To Start Snow Blower

1. Install the battery pack to snow blower.
2. Insert safety key and close cover.
3. Press and hold on safety button, then squeeze the auger control trigger. And you can release safety button after auger turning.



To Stop Snow Blower

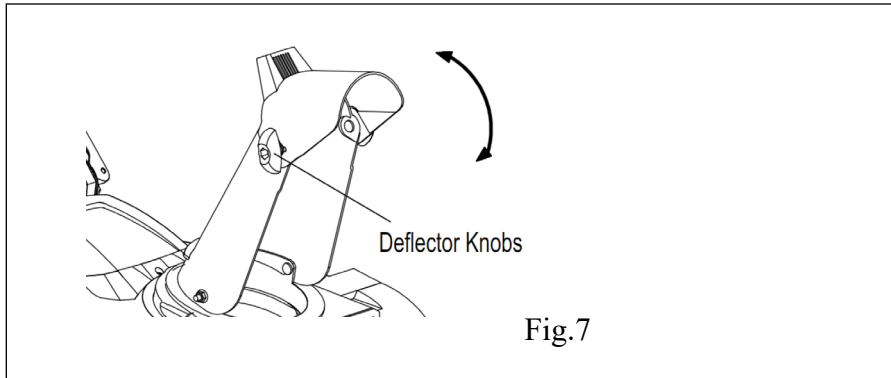
1. Release the auger trigger.
2. Remove the battery pack and store in a secure location out of the reach of children.
3. Remove safety key.

Adjusting the Chute

The chute can be adjusted to change both the direction and the distance of the discharged snow to assist you in moving snow away from one area and placing it in another.

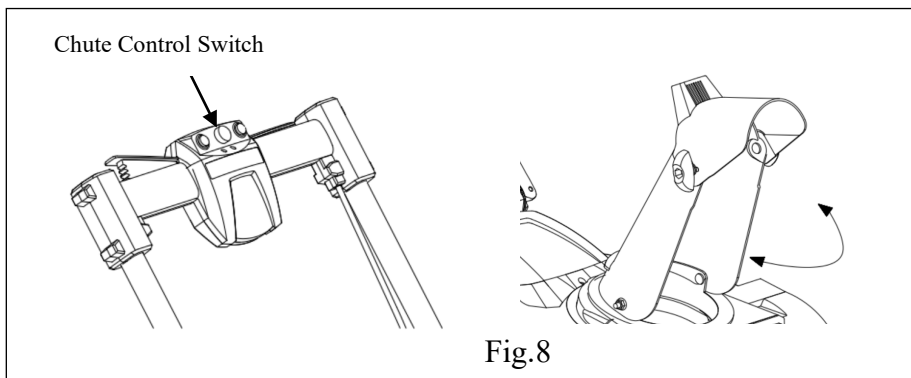
The throwing distance of the snow blower is adjusted by moving the chute deflector up or down.

Loosen the knobs to raise or lower the deflector to the desired degree of snow you wish to throw. Tighten the knobs to secure the deflector. (Fig.7)



The direction of snow removal can be adjusted up to 180°.

You can adjust chute direction by rotating the chute control knob in panel. (Fig.8)



⚠ WARNING: Do not force the chute so far forward that a gap appears between the deflector and the chute itself. Snow or other debris could be thrown through the gap and back at the operator, resulting in serious personal injury.

⚠ WARNING: Do not adjust the chute deflector while the auger control switch is engaged. Always release the auger control switch before adjusting the chute deflector.

To Clear the Chute

1. Turn the motor and auger off!
2. Remove the battery pack from the snow blower.
3. Wait 10 seconds to be sure the auger has stopped rotating.
4. Always use a clean-out tool, such as a wood rod or other clearing tools that are commercially available; do not use your hand.

Battery Level Indicator

The battery pack are equipped with a push button for checking the battery level. Simply press the push button to read the battery level from the LEDs of the battery indicator:

Lights	Light Indicators
1 Light On	The battery is at 25% capacity and requires charging.
2 Lights On	The battery is at 50% capacity and requires charging soon.
3 Lights On	The battery is at 75% capacity.
4 Lights On	The battery is at full capacity.

NOTE: If the battery level button does not appear to be working, place the battery pack on the charger and charge as needed.

Charging the Battery Pack

1. Pull the lock button on the battery to pull the battery pack out of the equipment.
2. Insert the charger's plug into the electrical wall outlet.
3. Place the battery pack into the charger by sliding the pack as shown to lock it into position.
4. When charging is complete, remove the battery from the charger by pulling the push lock button.

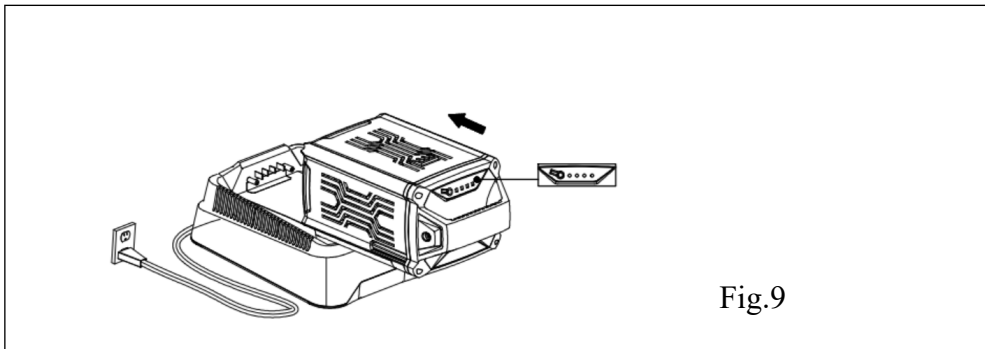


Fig.9

NOTE: Optimal charging temperatures are between 32°F (0°C) and 122°F (0°C - 50°C). If there is something wrong with the battery. Contact customer service for assistance.

OPERATING TIPS

⚠ DANGER: Never use a snow blower on frozen lakes, rivers, or similar surfaces. Death or serious injury could occur if the ice breaks.

⚠ DANGER: Never use the snow blower on a rooftop or other unstable surface, which can result in death or serious personal injury.

⚠ WARNING: Do not use snow blower on ice, which can cause the operator to slip and fall, resulting in possibly serious personal injury.

WARNING: Do not wear loose clothing, scarves, or jewelry. They can be caught in moving parts and cause death or serious personal injury.

⚠ WARNING: Keep all snow discharge pointed away from all electrical devices to reduce the risk of electrocution or electric shock.

⚠ WARNING: Never point the snow blower or discharge chute in the direction of people or pets. Thrown snow or other objects can cause serious personal injuries.

⚠ WARNING: Make sure that the area to be cleared is free of stones, sticks, wires, gravel, and other objects that could be accidentally thrown by the snow blower in any direction and cause serious personal injury to the operator and others.

- If the unit comes in contact with any type of obstruction or debris during use, stop the snow blower, remove the battery pack, remove the obstruction, and inspect the unit carefully for damage before proceeding.

⚠ WARNING: Never reach into the discharge chute or place any body part in front of the snow blower when the unit is operating or when the battery pack are installed. Always ensure all moving parts have stopped and the battery pack have been removed before clearing any obstructions. Failure to follow these instructions can result in serious personal injury.

- Take notice of the direction of the wind before beginning. When possible, discharge snow in the same direction as the wind to prevent snow from being thrown back into your face.
- Some parts of the snow blower can freeze under extreme weather conditions.
- Do not attempt to operate the unit with frozen parts.
- When finished, allow the motor to run for an additional few minutes to prevent moving parts from freezing, then turn the chute rotation handle back and forth several times to free it from any ice buildup. Make sure to clean off any snow and ice from the base of the chute.
- In snowy and cold conditions, some controls and moving parts may freeze. Do not use excessive force when trying to operate frozen controls. If you have difficulty operating any control or part, start the machine as “STARTING/STOPPING THE SNOW BLOWER” section shown (page 12) and let it run for a few minutes.

MAINTENANCE

⚠ WARNING: To avoid serious personal injury, always remove the battery pack from the snow blower before cleaning or performing any maintenance.

⚠ WARNING: When servicing, use only identical replacement parts. Use of any other parts may create a hazard or cause product damage. To ensure safety and reliability, all repairs should be performed by a qualified service technician.

NOTICE: Periodically inspect the entire product for damaged, missing, or loose parts such as screws, nuts, bolts, caps, etc. Tighten securely all fasteners and caps and do not operate this product until all missing or damaged parts are replaced.

General Maintenance Tips

Avoid using solvents when cleaning plastic parts. Most plastics are susceptible to damage from various types of commercial solvents and may be damaged by their use. Use clean cloths to remove dirt, dust, oil, grease, etc.

⚠ WARNING: Do not at any time let brake fluids, gasoline, petroleum-based products, penetrating oils, etc. come in contact with plastic parts. Chemicals can damage, weaken, or destroy plastic which can result in serious personal injury.

LUBRICATING THE MACHINE

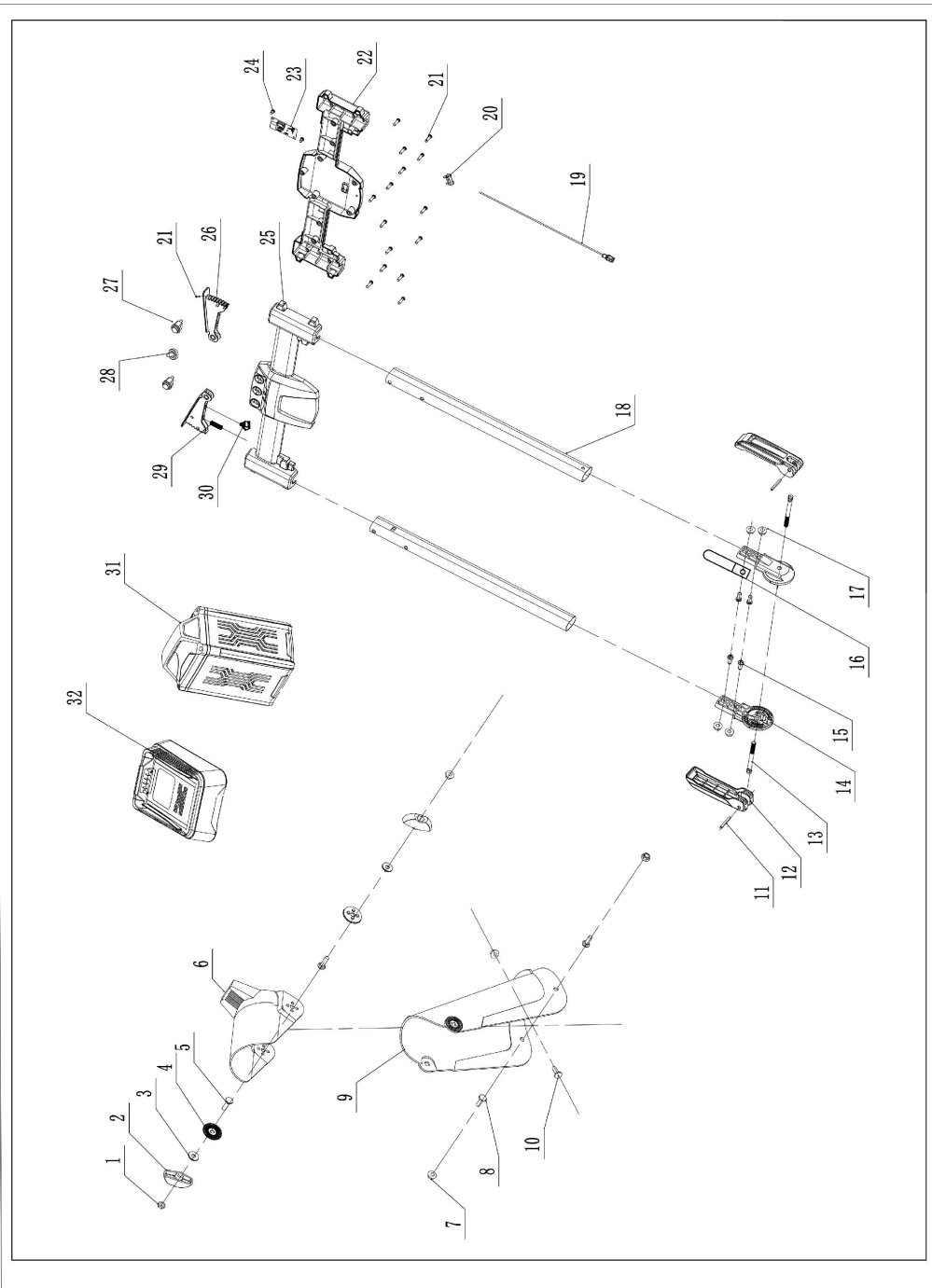
All the bearings in this product are lubricated with a sufficient amount of high grade lubricant for the life of the unit under normal operating conditions. Therefore, no further bearing lubrication is required.

TROUBLESHOOTING

PROBLEM	CAUSE	SOLUTION
Upper handle are not in position.	Knobs on the upper handle and/or handle-clamplerver are not secured.	Make sure that knobs on the upper handle are fully tightened and the handle-clamp levers are fully closed.
Snow blower is not starting.	<ul style="list-style-type: none">• Battery is low.• Safety button is not depressed.• Safety key is not in position.	<ul style="list-style-type: none">• Charge the battery.• Press the safety button and then squeeze the auger trigger.• Insert safety key.
The motor is on, but the auger does not turn.	The drive belt is worn or broken.	Replace the drive belt.

NOTE: Please contact the customer service for any questions.

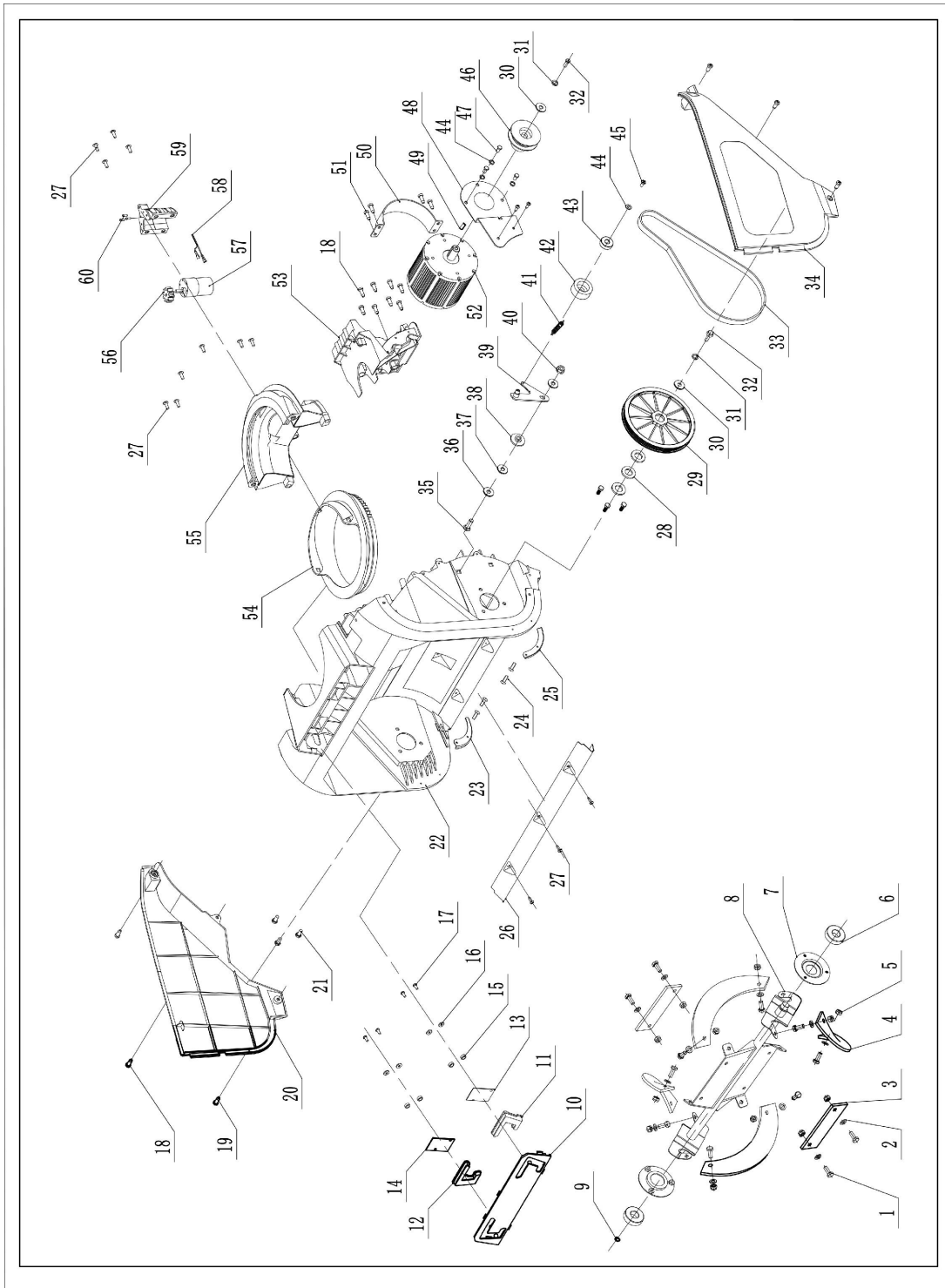
EXPLODED VIEW AND PARTS LIST CHUTE&PANEL ASSEMBLY



ITEM	STOCK #	DESCRIPTION	QTY
1	303030066	Nut M8	2
2	203020336A	Knob	2
3	303042023	Flat Washer 8	2
4	203020380	Dental Pad	2
5	303020161	Bolt M8x25	2
6	203050174	Upper Chute	1
7	303030077	Locknut M8	3
8	303020166	Bolt M8x18	2
9	203050175	Middle Chute	1
10	303020498	Hex Flange Bolt M8x18	1
11	303123030	Elastic Cylindrical Pin 5x35	2
12	203021348	Quick Wrench	2
13	303160812	Screw M8x82.5	2
14	303160944	Spinning Concave Tooth	2
15	303020490	Hex Flang Bolt M6x25	4
16	306010057	Buckle	1

ITEM	STOCK #	DESCRIPTION	QTY
17	303030130	Flang Nut M6	4
18	303071452	Upper Handle	2
19	303200138	Control Signal Connection Line	1
20	203020047	Cable Clamp	1
21	303010281	Screw	15
22	203050528	Lower Panel Cover	1
23	301013044	PC Plate	1
24	303010237	Screw ST4.2x10	2
25	203050527	Upper Panel Cover	1
26	203021346	Switch Trigger	2
27	301100057	Inching Switch	2
28	203021366	Switch Knob	1
29	303130363	Trigger Spring	1
30	301100056	Switch Button	1
31	202460014	Battery Pack DB2108	1
32	202470009	Charger DB2208	1

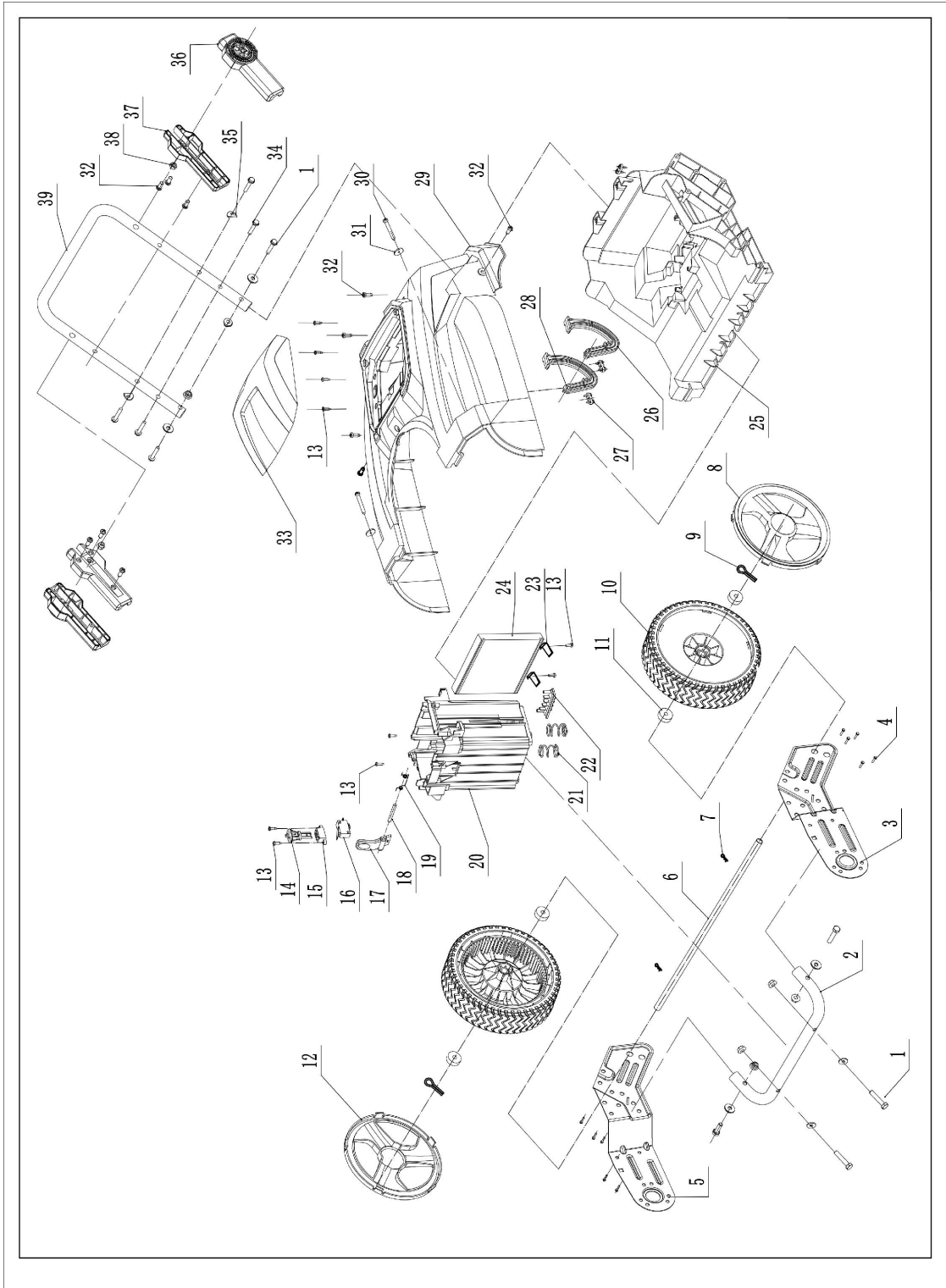
AUGER HOUSING ASSEMBLY



ITEM	STOCK #	DESCRIPTION	QTY
1	303020106	Hex Bolt M8x20	12
2	303042013	Flat Washer 8x22x2	12
3	302110091	Short Scraper	2
4	302110092	Long Scraper	4
5	303030036	Locknut M8	12
6	303100034	Deep Groove Ball Bearing	2
7	303070797	Bearing Press Plate Welded	2
8	303181282	Auger Shaft Welded	1
9	303050066	Shaft Ring 17	1
10	203010936	LOGO Plate	1
11	203010891	Light Cover L	1
12	203010890	Light Cover R	1
13	301013048A	light plate L	1
14	301013049A	light plate R	1
15	303160513	Spacer	4
16	303042019	Flat Washer 4x12x1	4
17	303010237	Screw ST4.2x10	4
18	303010176	Screw ST6.3x16	12
19	303010383	Screw ST4.8x10	2
20	203010932	Side Cover R	1
21	303020339	Hex Bolt M6x14	6
22	203050170A	Base	1
23	303070739	Right Corner	1
24	303010284	Screw ST4.8x12	4
25	303070738	Left Corner	1
26	303070741A	Shovel	1
27	303010108	Screw ST4.8x16	13
28	303042018	Flat Washer 18x24x2	3
29	203010646	Pulley	1
30	303042009	Flat Washer 6x22x2	2

ITEM	STOCK #	DESCRIPTION	QTY
31	303041009	Spring Washer	5
32	303020282	Hex Bolt M6x16	2
33	302040083	Belt 3PK750	1
34	203010931	Side Cover L	1
35	303020265	Hex Bolt M8x30	1
36	303042013	Flat Washer 8x22x2	1
37	303042005	flat Washer Φ8*Φ28*3	1
38	303160192A	Small Tension Plate Spacer	1
39	303181317A	Tension Plate Welded	1
40	303030077	Locknut M8	7
41	303160867	Tension Plate Spring	1
42	203020077	Tension Pulley	1
43	303100016	Deep Groove Ball Bearing	1
44	303042035	Flat Washer 5x16x2	1
45	303020640	Bolt M5x12	1
46	303060145A	Belt Wheel	1
47	303020468	Hex Bolt M6x10	3
48	303071455A	Motor Support Plate	1
49	303110039	Flat Key 4.7x35	1
50	303181251	Snow Motor Hoop	1
51	303020625	Hex Screw ST6.3x30	4
52	301030088	Brushless Motor	1
53	203050567	Motor Support	1
54	203010935	Rotating Disc	1
55	203050171	Base Part	1
56	303160871	Chute Steering Gear	1
57	301030090	Chute Steering Motor	1
58	303200137	Connection Cable	1
59	203050568	Steering Motor Gland	1
60	303020642	Bolt M3x8	3

FRAME ASSEMBLY



ITEM	STOCK #	DESCRIPTION	QTY
1	303020124	Hex Bolt M8x35	6
2	303081268	Upper Tube 2	1
3	303071523	Left Support Plate	1
4	303010353	Screw ST6.3x16	10
5	303071480	Right Support Plate	1
6	303181283A	Shaft	1
7	303160845	Butterfly Pin	2
8	203021362	Wheel Cover L	1
9	303121002	Cotter Pin 1.6x18	2
10	203050544	8" Wheel	2
11	303100065	Wheel Bearing	4
12	203021363	Wheel Cover R	1
13	303010095	Screw ST4.2x14	10
14	203021264	Safety Key	1
15	203010783	Upper Switch Cover	1
16	301100055	Switch	1
17	203050555	Battery Pack Self-lock Button	1
18	303123035	Cylindrical Pin	1
19	303130360	Battery Pack Buckle Torsion Spring	1
20	203050554	Battery Pack Holder	1

ITEM	STOCK #	DESCRIPTION	QTY
21	303130122	Battery Pack Spring	2
22	203010859	Charger Insert Holder	1
23	303071495	Controller Plate	2
24	303240649	Controller	1
25	203050935	Lower Cover	1
26	203010878	Left Bracket	1
27	203020047	Cable Clamp	3
28	203010882	Right Bracket	1
29	203010934	Upper Cover	1
30	303010385	Screw ST6.3x55	2
31	303042043	Flat Washer 6x12x1.5	2
32	303010176	Screw ST6.3x16	1
33	203010933	Upper Battery Box	1
34	303010374	Screw ST6.3x35	4
35	303043010	Concave Pad	2
36	203021349	Spinning Concave Tooth	2
37	203050536	Spinning Concave Tooth Cover	2
38	303030066	Hex Nut	2
39	303081269	Lower Tube 1	1

TWO (2) YEARS LIMITED WARRANTY

PowerSmart is committed to building equipment that will provide years of dependable service. Our warranties are consistent with our commitment and dedication to quality.

TWO (2) YEARS LIMITED WARRANTY OF POWER SMART PRODUCTS FOR HOME USE.

PowerSmart ("Seller") warrants to the original purchaser only, that all PowerSmart consumer power tools will be free from defects in material or workmanship for a period of two (2) years from date of purchase. If the tool(s) is used while providing professional or commercial services, the warranty coverage shall be for a maximum of (90) days.

SELLER'S SOLE OBLIGATION AND YOUR EXCLUSIVE REMEDY under this TWO (2) Years Limited Warranty and, to the extent permitted by law, any warranty or condition implied by law, shall be the repair or replacement of parts, without charge, which are defective in material or workmanship and which have not been misused, carelessly handled, or improperly repaired, by person(s) other than an Authorized Seller or Service Center.

Please be aware that normal wear parts are not covered this warranty. This includes drive belts, blades and grass bags. Carburetor issues, and/or other damage found to be the result of stale, contaminated or compromised fuel, is not covered under this limited warranty.

To make a claim under this Limited Warranty, you must return the entire power tool product; transportation prepaid, to PowerSmart. The owner must include a legible copy of the original receipt, which shall list the date of purchase, along with the company's name where the product was purchased.

THIS LIMITED WARRANTY DOES NOT APPLY TO ANY ACCESSORY ITEMS INCLUDED WITH THE TOOL SUCH AS CIRCULAR SAW BLADES OTHER RELATED ITEMS OR TO ANY REPLACEMENT PARTS LISTED UNDER MAINTENANCE.

ANY IMPLIED WARRANTIES SHALL BE LIMITED IN DURATION TO THREE (3) YEARS FROM DATE OF PURCHASE. SOME STATES IN THE U.S. AND SOME CANADIAN PROVINCES DO NOT ALLOW LIMITATIONS ON HOW LONG AN IMPLIED WARRANTY LASTS, SO THE ABOVE LIMITATION MAY NOT APPLY TO YOU.

IN NO EVENT SHALL SELLER BE LIABLE FOR ANY INCIDENTAL OR CONSEQUENTIAL DAMAGES (INCLUDING BUT NOT LIMITED TO LIABILITY FOR LOSS OF PROFITS) ARISING FROM THE SALE OR USE OF THIS PRODUCT. SOME STATES IN THE U.S. AND SOME CANADIAN PROVINCES DO NOT ALLOW THE EXCLUSION OR LIMITATION OF INCIDENTAL OR CONSEQUENTIAL DAMAGES, SO THE ABOVE LIMITATION OR EXCLUSION MAY NOT APPLY TO YOU.

THIS LIMITED WARRANTY GIVES YOU SPECIFIC LEGAL RIGHTS, AND YOU MAY ALSO HAVE OTHER RIGHTS WHICH VARY FROM STATE TO STATE IN THE U.S., PROVINCE TO PROVINCE IN CANADA AND FROM COUNTRY TO COUNTRY.

Please call toll free at: 1-800-791-9458(M-F 9am – 5pm EST) Email: support@amerisuninc.com

PLEASE SAVE ALL OF YOUR ORIGINAL RECEIPTS. THIS WARRANTY IS VOID WITHOUT THEM.

TABLE DES MATIÈRES

FR

Données techniques.....	24
Introduction.....	25
Symboles de sécurité.....	25
Formation	28
Connaissez votre souffleur de neige.....	30
Assemblage	31
Fonctionnement.....	32
Entretien.....	37
Dépannage.....	38
Vue éclatée & liste de pièces.....	39
Garantie.....	45

DONNÉES TECHNIQUES

Souffleur de neige sans fil monoplace de 21 pouces

Modèle #:	DB2801RB
Tension de la batterie :	80V
Capacité de la batterie :	6Ah
Temps de chargement :	90 mins
Largeur de nettoyage :	21 pouces
Hauteur de nettoyage :	12.5 pouces
Angle de rotation des rainures :	180°
Dimension de roue :	8 pouces
Cote d'encombrement :	26.4x22.4x21 in
Poids :	71 lbs

Merci pour l'achat de produits PowerSmart.

Il est crucial et fortement recommandé que vous lisiez ce manuel d'instructions dans son intégralité, car il s'agit d'un outil précieux et un point de référence pour comprendre le fonctionnement de votre unité.

Veuillez enregistrer votre unité en ligne à l'adresse www.Amerisuninc.com. Ce processus nous permettra de suivre vos informations de garantie et de mettre à jour nos dossiers concernant votre unité en conséquence.

Important : Notre société ne fournit pas de courriel ou de renseignements personnels à un tiers pour quelque raison que ce soit. Pour toute question, consultez notre site Web ou appelez le service à la clientèle au (800)791 9458.

INTRODUCTION

Merci d'avoir acheté un produit PowerSmart®. Ce manuel fournit des informations sur le fonctionnement et l'entretien sécuritaires de ce produit. Tous les efforts ont été faits pour assurer l'exactitude de l'information contenue dans ce manuel. PowerSmart® se réserve le droit de modifier ce produit et ses spécifications à tout moment sans préavis.

Veillez garder ce manuel à la disposition de tous les utilisateurs pendant toute la durée de vie du souffleur de neige.




Ce manuel contient des messages spéciaux pour attirer l'attention sur les problèmes de sécurité potentiels, les dommages causés par les souffleurs de neige ainsi que des renseignements utiles sur l'exploitation et l'entretien. Veuillez lire attentivement toutes les informations pour éviter les blessures et les dommages causés par la machine.

QUESTIONS? PROBLÈMES?

Veillez communiquer avec notre service à la clientèle pour toute question et/ou commentaire, soit par courriel : support@amerisuninc.com, soit sans frais au (800) 791-9458. Nous sommes disponibles lundi-vendredi 9am-5pm EST pour aider à résoudre tous les problèmes que vous pourriez rencontrer.

SYMBOLES DE SÉCURITÉ

Le but des symboles de sécurité est d'attirer votre attention sur les dangers possibles. Les symboles de sécurité et les explications avec eux méritent votre attention et votre compréhension. Les avertissements de symbole n'éliminent pas à eux seuls tout danger. Les instructions et les avertissements qu'ils donnent ne remplacent pas les mesures appropriées de prévention des accidents.

 **AVERTISSEMENT** : Assurez-vous de lire et de comprendre toutes les instructions de sécurité contenues dans le Manuel de l'opérateur, y compris tous les symboles d'alerte de sécurité tels que « DANGER », « AVERTISSEMENT » et « ATTENTION » avant d'utiliser cet outil. Le non-respect de toutes les instructions énumérées ci-dessous peut entraîner des commotions électriques, un incendie et/ou des blessures graves.

SIGNIFICATION DU SYMBOLE








 **SYMBOLE D'ALERTE DE SÉCURITÉ** : Indique **DANGER**, **AVERTISSEMENT** ou **ATTENTION**.


Peut être utilisé en conjonction avec d'autres symboles ou pictogrammes.

AVERTISSEMENT : Le fonctionnement de n'importe quel outil électrique peut entraîner des objets étrangers jetés dans vos yeux, ce qui peut entraîner de graves lésions oculaires. Avant de commencer le fonctionnement de l'outil électrique, portez toujours des verres fumés de sécurité ou des lunettes de sécurité avec des boucliers latéraux et un bouclier facial complet en cas de besoin. Nous recommandons un masque de sécurité vision large pour une utilisation sur des lunettes ou des lunettes de sécurité standard avec boucliers latéraux. Utilisez toujours une protection oculaire marquée pour se conformer à ANSI Z87.1.

INSTRUCTION DE SYMBOLE

Cette page représente et décrit les symboles de sécurité qui peuvent apparaître sur ce produit. Lisez, comprenez et suivez toutes les instructions sur la machine avant de tenter d'assembler et de fonctionner.

	Alerte de sécurité	Indique un risque potentiel de blessures corporelles.
	Protection des yeux	Portez toujours des verres fumés de sécurité ou des lunettes de sécurité avec des boucliers latéraux et un bouclier facial complet lors de l'utilisation de ce produit.
	Protection des oreilles	Pour se protéger contre les blessures, portez des protège-oreilles.
	Lire le manuel de l'opérateur	Pour réduire le risque de blessure, l'utilisateur doit lire et comprendre le manuel de l'opérateur avant d'utiliser ce produit.
	DANGER — Gardez les mains à l'écart de l'aube	N'utilisez pas les mains pour désengorger la rainure.
	AVERTISSEMENT - LAMES ROTATIVES	Gardez les mains hors de l'entrée et les ouvertures de décharge pendant que la machine est en cours d'exécution, Il y a des lames rotatives à l'intérieur.
	Gardez les pieds hors de l'aube	Gardez les pieds à l'écart de l'aube rotative
	AVERTISSEMENT!	Éteignez toujours la machine et retirez la clé de sécurité avant d'effectuer l'inspection, le nettoyage et l'entretien.
	AVERTISSEMENT!	Utilisation à l'intérieur seulement. Utilisez uniquement le chargeur de batterie à l'intérieur.
	ATTENTION!	ATTENTION ! Méfiez-vous des pierres et autres objets étrangers qui pourraient être jetés de l'appareil.
	AVERTISSEMENT!	Gardez les passants et les enfants à une distance sécuritaire (au moins 33 pi/10 m) de la zone de travail.
	Protection des pieds	Portez des gants de protection et des chaussures antidérapantes lorsque vous utilisez la machine et manipulez les débris.
	ARRÊT	La partie rotative s'exécute en continu pendant plusieurs secondes après avoir éteint la machine.

	Alerte sur les conditions humides	Ne pas exposer à la pluie ou à utiliser dans des endroits humides.
IPX4	Degré de protection d'entrée	Protection contre les éclaboussures d'eau
V	Volt	Tension
A	Ampères	Courant
Hz	Hertz	Fréquence (cycles par seconde)
W	Watt	Puissance
Min	Minutes	Temps
==	Courant direct	Type ou caractéristique du courant

AVERTISSEMENT : Pour assurer la sécurité et la fiabilité, toutes les réparations doivent être effectuées par un technicien de service qualifié.

PRATIQUES D'EXPLOITATION SÉCURITAIRES POUR LE SOUFFLEUR DE NEIGE

DANGER : Ce souffleur de neige est capable d'amputer les mains et les pieds et de lancer des objets. Le non-respect des instructions de sécurité suivantes pourrait entraîner des blessures graves.

POUR TOUS LES SOUFFLEURS DE NEIGE

- Ne pas utiliser sur la surface en gravier.
- Gardez les enfants à l'écart – Tous les visiteurs doivent être tenus à une distance sécuritaire de la zone de travail.
- Habillez-vous correctement – Ne portez pas de vêtements amples ou de bijoux. Ils peuvent être pris dans des pièces mobiles.
- Portez des bottes en caoutchouc lors de l'utilisation du souffleur de neige.
- Gardez les mains à l'écart des pièces mobiles.
- Gardez les gardes en place et en état de marche.
- Ne forcez pas le souffleur de neige – Il sera plus performant et plus sûr au rythme pour lequel il a été conçu.
- Ne pas aller trop loin – Gardez une bonne assise et un bon équilibre en tout temps.
- Si le souffleur de neige frappe un objet étranger, procédez comme suit :
 1. Arrêtez le souffleur de neige. Relâchez l'interrupteur.
 2. Retirez la batterie et la clé de sécurité.
 3. Inspectez les dommages.
 4. Réparez les dommages avant de redémarrer et d'utiliser le souffleur de neige.
- Lorsqu'elles ne sont pas utilisées, les souffleurs de neige doivent être entreposés à l'intérieur dans un endroit sec et enfermé – hors de portée des enfants.

FORMATION

- Lisez, comprenez et suivez toutes les instructions sur la machine et dans le manuel avant d'utiliser cette unité. Connaissiez-vous bien les commandes et l'utilisation appropriée de l'équipement. Savez comment arrêter l'appareil et désengager les contrôles rapidement.
- Ne laissez jamais les enfants faire fonctionner l'équipement. Ne laissez jamais les adultes faire fonctionner l'équipement sans instruction appropriée.
- Gardez la zone d'opération à l'écart de toutes les personnes, en particulier les petits enfants.
- Faites preuve de prudence pour éviter de glisser ou de tomber, surtout lorsque vous utilisez le souffleur de neige à l'envers.

PRÉPARATION

- Inspectez soigneusement la zone où l'équipement doit être utilisé et retirez tous les paillassons, traîneaux, planches, fils et autres objets étrangers.
- Ne pas utiliser l'équipement sans porter des vêtements d'hiver adéquats. Évitez les vêtements amples qui peuvent être pris dans des pièces mobiles. Portez des chaussures qui amélioreront les pieds sur les surfaces glissantes.
- Ne tentez jamais d'effectuer des ajustements pendant que le moteur est en marche (sauf si le fabricant le recommande expressément).
- Portez toujours des lunettes de sécurité ou des boucliers oculaires pendant le fonctionnement ou lors d'un ajustement ou d'une réparation pour protéger les yeux des objets étrangers qui peuvent être jetés de la machine.

FONCTIONNEMENT

- Ne mettez pas les mains ou les pieds près ou sous les pièces rotatives. Gardez à l'écart de l'ouverture du déchargeur en tout temps.
- Faites preuve d'une extrême prudence lorsque vous utilisez ou traversez des routes de gravier, de marche ou de route. Restez vigilant pour les dangers cachés ou la circulation.
- Après avoir heurté un objet étranger, arrêtez le moteur, retirez la batterie, inspectez soigneusement le souffleur de neige pour les dommages et réparez les dommages avant de redémarrer et d'utiliser le souffleur de neige.
- Si l'appareil commence à vibrer anormalement, arrêtez le moteur et vérifiez immédiatement la cause. La vibration est généralement un avertissement de problèmes.
- Arrêtez le moteur chaque fois que vous quittez la position de fonctionnement, avant de déballer le carter d'assemblage de tarière ou la rainure de décharge, et lors des réparations, des ajustements ou des inspections.
- Lors du nettoyage, de la réparation ou de l'inspection du souffleur de neige, arrêtez le moteur et assurez-vous que l'assemblage de la tarière et toutes les pièces mobiles se sont arrêtés. Retirez la pile pour empêcher quelqu'un de démarrer accidentellement le moteur.
- Faites preuve d'une extrême prudence lorsque vous utilisez des pentes.
- N'actionnez jamais le souffleur de neige sans les gardes appropriés et d'autres dispositifs de protection de sécurité en place et de travail.
- Ne dirigez jamais la décharge vers les personnes ou les zones où des dommages matériels peuvent survenir. Éloignez les enfants et les autres.
- Ne surchargez pas la capacité de la machine en essayant de déneiger trop rapidement.
- Désengagez le courant à l'assemblage de la poudreuse lorsque le souffleur de neige est transporté ou non en service.

- Utilisez uniquement les pièces jointes et accessoires approuvés par le fabricant du souffleur de neige (comme les palettes en caoutchouc, la barre de grattoir et la ceinture d'entraînement).
- Ne faites jamais fonctionner la souffleuse à neige sans une bonne visibilité ou une bonne lumière. Assurez-vous toujours de votre pied, et gardez une prise ferme sur les poignées. Marcher; ne courez jamais.
- Utilisez uniquement avec la pile et les chargeurs énumérés ci-dessous :

PILE	CHARGEUR
DB2108	DB2208

NETTOIEMENT D'UNE RAINURE DE DÉCHARGE OBSTRUANTE

Le contact à la main avec l'ensemble de la tarière rotative à l'intérieur de la rainure de décharge est la cause la plus fréquente de blessures associées aux souffleurs de neige. N'utilisez jamais votre main pour nettoyer la rainure de décharge.

Pour dégager la rainure :

- **FERMEZ LE MOTEUR !**
- Attendez 10 secondes pour vous assurer que les lames d'assemblage de la tarière ont cessé de tourner.
- Utilisez toujours un outil de nettoyage, pas vos mains.

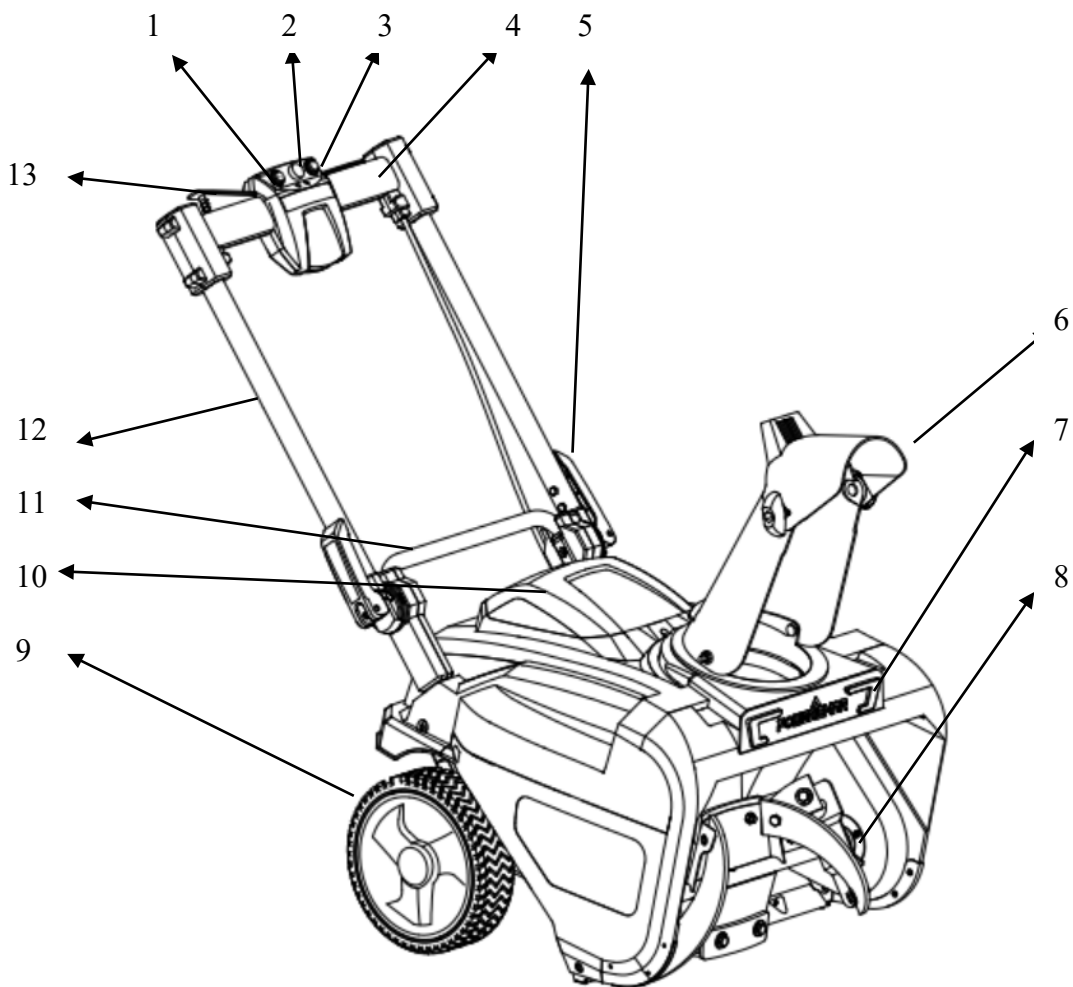
ENTRETIEN ET STOCKAGE

- Vérifiez tous les boulons ou attaches à intervalles fréquents pour obtenir une étanchéité adéquate afin de vous assurer que l'équipement est en bon état de fonctionnement.
- Consultez toujours le manuel de l'opérateur pour obtenir des détails importants si le souffleur de neige doit être stocké pendant une période prolongée.
- Maintenez ou remplacez les étiquettes de sécurité et d'instruction, au besoin.
- Exécutez la machine quelques minutes après avoir soufflé la neige pour éviter le gel de l'assemblage de la tarière.
- Les températures de charge optimales se font entre 32 °F (0 °C) et 122 °F (0 °C - 50 °C).

ENREGISTREZ CES INSTRUCTIONS. Faites-y fréquemment et utilisez-les pour instruire d'autres personnes qui peuvent utiliser cet outil. Si vous prêtez cet outil à quelqu'un d'autre, aussi leur prêter ces instructions pour prévenir l'utilisation abusive du produit et éventuellement des blessures.

CONNAISSEZ VOTRE SOUFFLEUR DE NEIGE

Veillez utiliser l'illustration ci-dessous pour vous familiariser avec l'emplacement et la fonction des composants qui contrôlent votre souffleur de neige.



1	Bouton de sécurité	7	Lumière LED
2	Contrôle de rainure	8	Tarière
3	Commutateur LED	9	Roue
4	Panneau	10	Couverture de batterie
5	Bouton	11	Poignée inférieure
6	Rainure	12	Poignée supérieure
		13	Trigger de la tarière

Bouton de sécurité

Situé à droite du panneau, le bouton de sécurité doit être appuyé vers le bas avant que le moteur puisse être démarré.

Trigger de contrôle de la tarière

Situé à droite du panneau, le trigger de contrôle de la tarière est utilisé pour engager et désengager les tarières. Pressez le trigger de contrôle de la tarière pour engager les tarières; relâcher pour désengager les tarières.

Lumière LED

Située à l'avant de l'appareil, cette fonctionnalité offre une lumière supplémentaire pour une visibilité accrue.

ASSEMBLAGE

La section suivante décrit les étapes nécessaires pour préparer le souffleur de neige à l'utilisation. Si après avoir lu cette section, vous n'êtes pas sûr de la façon d'effectuer l'une des étapes s'il vous plaît appelez (800) 791-9458 Lundi-Vendredi 9-5 EST pour l'assistance au service à la clientèle. Le défaut d'effectuer ces étapes correctement peut endommager le souffleur de neige.

⚠ AVERTISSEMENT : Pour éviter le démarrage accidentel qui pourrait causer des blessures graves, retirez toujours la batterie de l'outil lors de l'assemblage des pièces.

⚠ AVERTISSEMENT : Si des pièces sont endommagées ou manquantes, ne pas utiliser ce produit tant que les pièces ne sont pas remplacées. L'utilisation de ce produit avec des pièces endommagées ou manquantes pourrait entraîner des blessures graves.

⚠ AVERTISSEMENT : N'essayez pas de modifier cet outil ou de créer des accessoires non recommandés pour une utilisation avec ce produit. Toute altération ou modification de ce genre est une mauvaise utilisation et pourrait entraîner un état dangereux entraînant des blessures graves.

Déballage

- Saisissez la poignée arrière et la partie avant du produit en même temps pour soulever soigneusement l'outil vers le haut et hors du carton. Retirez tous les autres accessoires du carton. Assurez-vous que tous les articles répertoriés dans la liste d'emballage sont inclus.

Déballer le souffleur de neige et toutes ses pièces, et comparez-la à la liste ci-dessous.

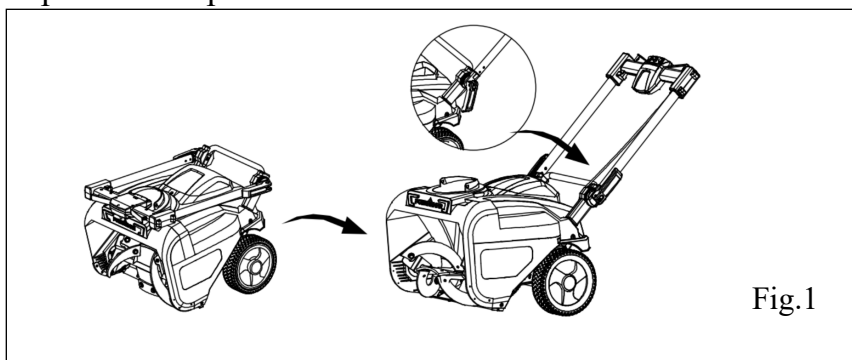
1. Souffleur de neige
2. Assemblage de rainure de décharge
3. Pile
4. Chargeur
5. Manuel du propriétaire
6. Clé de sécurité

ASSEMBLAGE

Votre souffleur de neige nécessitera un peu d'assemblage. Veuillez effectuer les étapes suivantes avant d'utiliser votre souffleur de neige.

Étape 1: Déroulement de la poignée supérieure

1. Ouvrez les leviers à libération rapide des deux côtés et pivotez doucement la poignée supérieure vers le haut jusqu'à ce qu'ils s'arrêtent. Fig. 1
2. Fermez les leviers à libération rapide, puis serrez les boutons pour fixer la poignée supérieure en place.



Étape 2: Installation de l'assemblage de rainure

1. Insérez la rainure à la base. (Voir Fig. 2).
2. Utilisation d'une clé de 13 mm de rainure sécurisée à la base avec (3) vis, rondelles et écrous fournis.

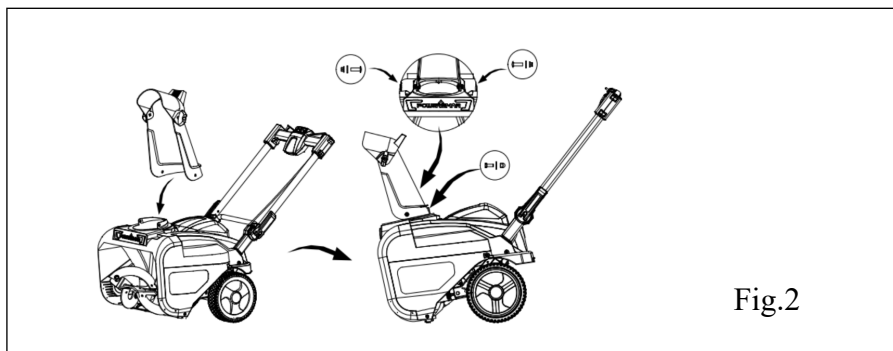


Fig.2

FONCTIONNEMENT

⚠ AVERTISSEMENT : Ne laissez pas la familiarité avec ce produit pour vous rendre négligent. Rappelez-vous qu'une fraction négligente d'une seconde suffit pour infliger des blessures graves.

⚠ AVERTISSEMENT : Portez toujours une protection oculaire avec des boucliers latéraux marqués pour se conformer à ANSI Z87.1. Si vous ne le faites pas, des objets pourraient être jetés dans vos yeux et d'autres blessures graves possibles.

⚠ AVERTISSEMENT : N'utilisez pas de pièces jointes ou d'accessoires non recommandés par le fabricant de ce produit. L'utilisation de pièces jointes ou d'accessoires non recommandés peut entraîner des blessures graves.

Pour installer la pile

Lorsqu'il n'est pas utilisé, la batterie doit être stockée dans une zone fermée où la température ne descend pas en dessous de -4 °F (-20 °C). Les températures de charge optimales se font entre 32 °F (0 °C) et 122 °F (0 °C - 50 °C).

⚠ AVERTISSEMENT : Si des pièces sont cassées ou manquantes, n'essayez pas d'attacher la batterie au souffleur de neige ou de faire fonctionner le souffleur de neige jusqu'à ce que les pièces cassées ou manquantes soient remplacées. Si vous ne le faites pas, cela pourrait entraîner des blessures graves.

1. Ouvrez le couvercle du compartiment de la batterie et faites glisser la batterie verticale vers le bas comme le montre la figure 3.
2. Insérez la clé de sécurité dans la fente et fermez le couvercle du compartiment de la batterie comme le montre la figure 4.

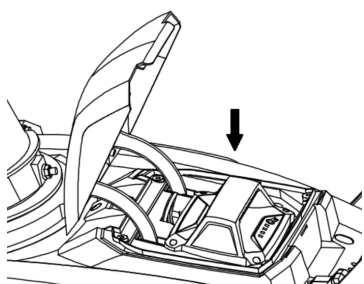


Fig.3

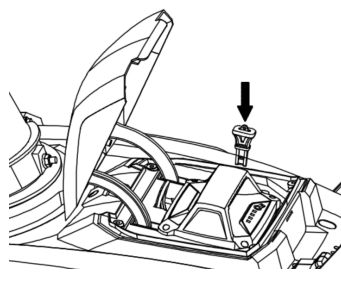
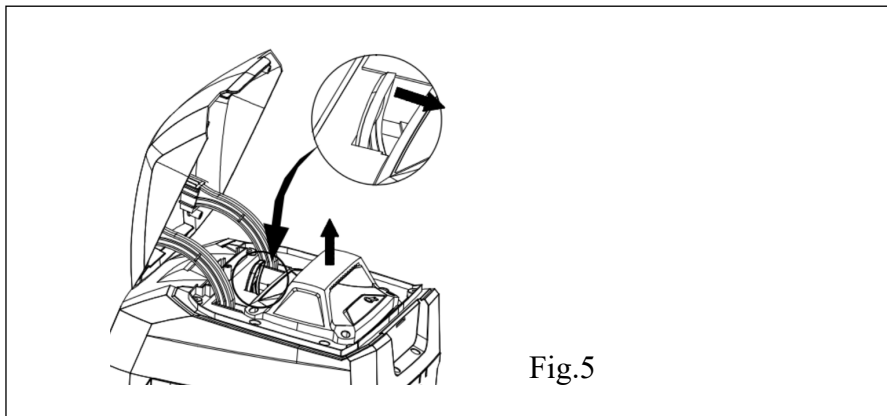


Fig.4

Pour retirer la pile

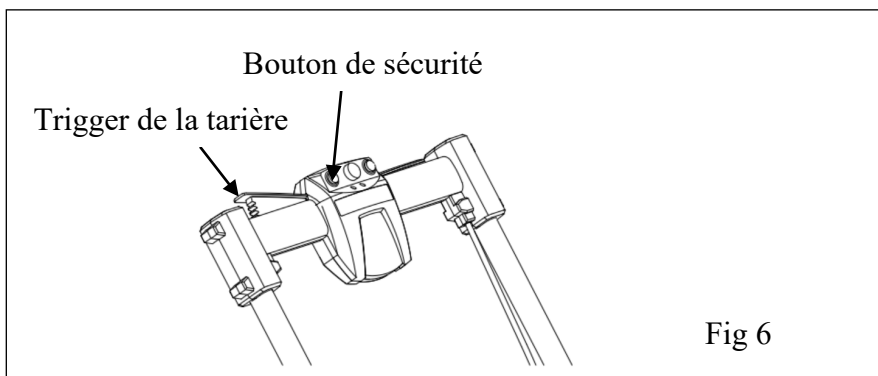
1. Retirez la clé de sécurité.
2. Appuyez et maintenez le bouton de verrouillage de la batterie au bas de la pile.
3. Retirez la pile du produit.



ATTENTION : Assurez-vous que le verrou du souffleur de neige se verrouille et que la batterie est fixée à l'appareil avant de commencer le fonctionnement.

Pour démarrer souffleur de neige

1. Installez la batterie sur le souffleur de neige.
2. Insérez la clé de sécurité et fermez le couvercle.
3. Veuillez maintenir-enfoncé le bouton de sécurité et puis appuyer sur le trigger de la tarière. Après avoir tourné la tarière, veuillez relâcher le bouton de sécurité, comme indiqué sur la figure 6.



Pour arrêter souffleur de neige

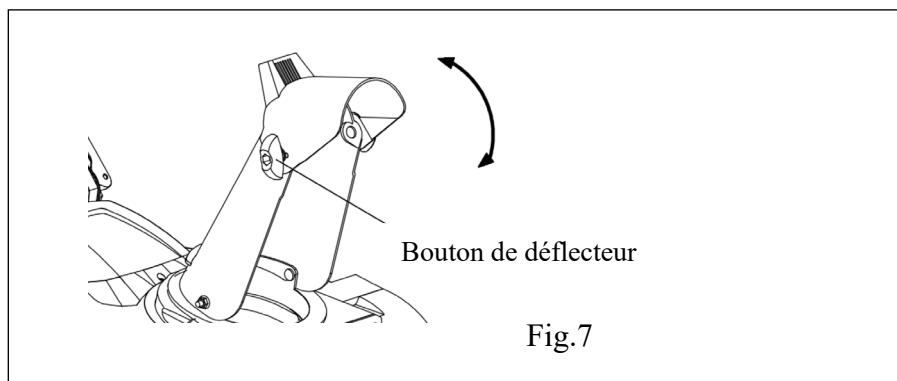
1. Relâchez le trigger de la tarière.
2. Retirez la batterie et rangez-les dans un endroit sécurisé hors de la portée des enfants.
3. Retirez la clé de sécurité.

Réglage de la rainure

La rainure peut être ajustée pour changer à la fois la direction et la distance de la neige déversée pour vous aider à déplacer la neige loin d'une zone et de la placer dans une autre.

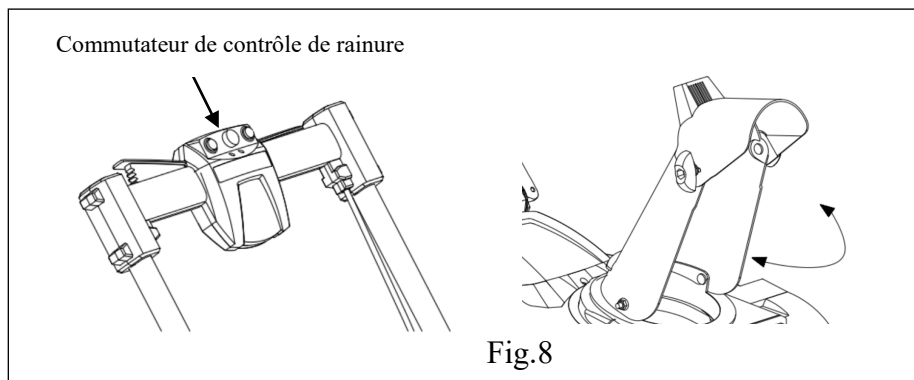
La distance de lancer du souffleur de neige est ajusté en déplaçant le déflecteur de la rainure vers le haut ou vers le bas.

1. Desserrez les boutons pour soulever ou abaisser le déflecteur au degré de neige souhaité que vous souhaitez jeter. Serrez les boutons pour fixer le déflecteur. (Fig.7)



La direction du déneigement peut être ajustée jusqu'à 180°.

1. Vous pouvez ajuster la direction de la goulotte en faisant tourner la poignée de commande de la goulotte dans le panneau. (Fig.8)



⚠ AVERTISSEMENT : Ne forcez pas la rainure si loin vers l'avant qu'un espace apparaît entre le déflecteur et la rainure elle-même. De la neige ou d'autres débris pourraient être projetés à travers l'espace et revenir sur l'opérateur, ce qui entraînerait de graves blessures.

⚠ AVERTISSEMENT : N'ajustez pas le déflecteur de rainure pendant que l'interrupteur de caution est engagé. Relâchez toujours l'interrupteur de caution avant d'ajuster le déflecteur de rainure.

Pour dégager la rainure

1. Fermez le moteur et la tarière !
2. Retirez la batterie du souffleur de neige.
3. Attendez 10 secondes pour vous assurer que la tarière a cessé de tourner.
4. Utilisez toujours un outil de nettoyage, comme une tige de bois ou d'autres outils de nettoyage qui sont disponibles dans le commerce ; n'utilisez pas votre main.

Indicateur de niveau de charge de la batterie

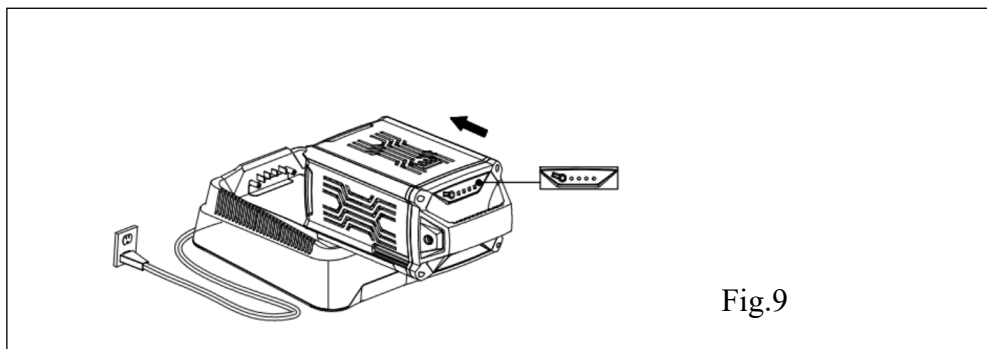
La pile est équipée d'un bouton poussoir pour vérifier le niveau de charge. Appuyez simplement sur le bouton poussoir pour lire le niveau de charge de la batterie à partir des LED de l'indicateur de batterie :

Lumières	Indicateurs de lumière
1 Lumière allumée	La batterie est à 25% de capacité et nécessite une charge.
2 Lumières allumées	La batterie est à 50% de capacité et nécessite une charge bientôt.
3 Lumières allumées	La batterie est à 75% de capacité.
4 Lumières allumées	La batterie est à pleine capacité.

REMARQUE : Si le bouton de niveau de charge ne semble pas fonctionner, placez la pile sur le chargeur et chargez au besoin.

Chargement de la pile

1. Tirez sur le bouton de verrouillage de la batterie pour retirer la pile de l'équipement.
2. Insérez la prise du chargeur dans la prise murale électrique.
3. Placez la pile dans le chargeur en faisant glisser la pile comme indiqué pour le verrouiller en position.
4. Lorsque la charge est terminée, retirez la batterie du chargeur en tirant sur le bouton de verrouillage.



REMARQUE : Les températures de charge optimales se font entre 32 °F (0 °C) et 122 °F (0 °C - 50 °C). S'il y a quelque chose de mal avec la batterie. Contactez le centre de service à la clientèle à l'aide.

CONSEILS D'EXPLOITATION

⚠ DANGER : N'utilisez jamais de souffleur de neige sur des lacs, des rivières ou des surfaces similaires. La mort ou des blessures graves pourraient survenir si la glace se brise.

⚠ DANGER : N'utilisez jamais le souffleur de neige sur un toit ou une autre surface instable, ce qui peut entraîner la mort ou des blessures graves.

⚠ AVERTISSEMENT : N'utilisez pas de souffleur de neige sur la glace, ce qui peut causer la rainure de l'opérateur, ce qui peut causer des blessures graves.

⚠ AVERTISSEMENT : Ne portez pas de vêtements amples, d'écharpes ou de bijoux. Ils peuvent être pris dans des pièces mobiles et causer la mort ou des blessures graves.

⚠ AVERTISSEMENT : Gardez toutes les décharges de neige à l'écart de tous les appareils électriques afin de réduire le risque d'électrocution ou de choc électrique.

⚠ AVERTISSEMENT : Ne pointez jamais le souffleur de neige ou la rainure de décharge en direction des personnes ou des animaux de compagnie. La neige jetée ou d'autres objets peuvent causer de graves blessures.

⚠ AVERTISSEMENT : Assurez-vous que la zone à nettoyer est exempte de pierres, de bâtons, de fils, de gravier et d'autres objets qui pourraient être accidentellement jetés par le souffleur de neige dans n'importe quelle direction et causer des blessures graves à l'opérateur et à d'autres personnes.

- Si l'appareil entre en contact avec tout type d'obstruction ou de débris pendant l'utilisation, arrêtez le souffleur de neige, retirez la batterie, retirez l'obstruction et inspectez soigneusement l'appareil pour les endommager avant de procéder.

⚠ AVERTISSEMENT : N'atteignez jamais la rainure de décharge ou placez une partie du corps devant le souffleur de neige lorsque l'appareil fonctionne ou lorsque la batterie est installée. Assurez-vous toujours que toutes les pièces mobiles se sont arrêtées et que la batterie a été retirée avant de dégager les obstacles. Le non-respect de ces instructions peut entraîner des blessures graves.

- Prenez note de la direction du vent avant de commencer. Dans la mesure du possible, déchargez la neige dans la même direction que le vent pour éviter que la neige ne vous jette au visage.
- Certaines parties du souffleur de neige peuvent geler dans des conditions météorologiques extrêmes.
- N'essayez pas d'exploiter l'appareil avec des pièces congelées.
- Une fois terminé, laissez le moteur fonctionner pendant quelques minutes supplémentaires pour éviter que les pièces mobiles ne gèlent, puis tournez la poignée de rotation de la rainure plusieurs fois pour le libérer de toute accumulation de glace. Assurez-vous de nettoyer toute la neige et la glace de la base de la chute.
- Dans des conditions enneigées et froides, certaines commandes et certaines pièces mobiles peuvent geler. N'utilisez pas une force excessive lorsque vous essayez d'utiliser des commandes congelées. Si vous avez de la difficulté à utiliser un contrôle ou une pièce, démarrez la machine sous la section « DÉMARRER/ARRÊTER LE SOUFFLEUR DE NEIGE » (page 12) et laissez-la fonctionner pendant quelques minutes.

ENTRETIEN

AVERTISSEMENT : Pour éviter les blessures graves, retirez toujours la batterie du souffleur de neige avant de nettoyer ou d'effectuer tout entretien.

AVERTISSEMENT : Lors de l'entretien, n'utilisez que des pièces de rechange identiques. L'utilisation de toute autre pièce peut créer un danger ou causer des dommages au produit. Pour assurer la sécurité et la fiabilité, toutes les réparations doivent être effectuées par un technicien de service qualifié.

⚠ ATTENTION : Inspectez périodiquement l'ensemble du produit pour les pièces endommagées, manquantes ou lâches telles que les vis, les écrous, les boulons, les bouchons, etc. Serrez solidement toutes les attaches et les bouchons et n'utilisez pas ce produit jusqu'à ce que toutes les pièces manquantes ou endommagées soient remplacées.

Conseils généraux d'entretien

Évitez d'utiliser des solvants lors du nettoyage des pièces en plastique. La plupart des plastiques sont susceptibles d'être endommagés par divers types de solvants commerciaux et peuvent être endommagés par leur utilisation. Utilisez des chiffons propres pour enlever la saleté, la poussière, l'huile, la graisse, etc.

⚠ AVERTISSEMENT : Ne laissez pas à aucun moment les fluides de frein, l'essence, les produits à base de pétrole, les huiles pénétrantes, etc. entrer en contact avec des pièces en plastique. Les produits chimiques peuvent endommager, affaiblir ou détruire le plastique, ce qui peut entraîner des blessures graves.

LUBRIFICATION DE LA MACHINE

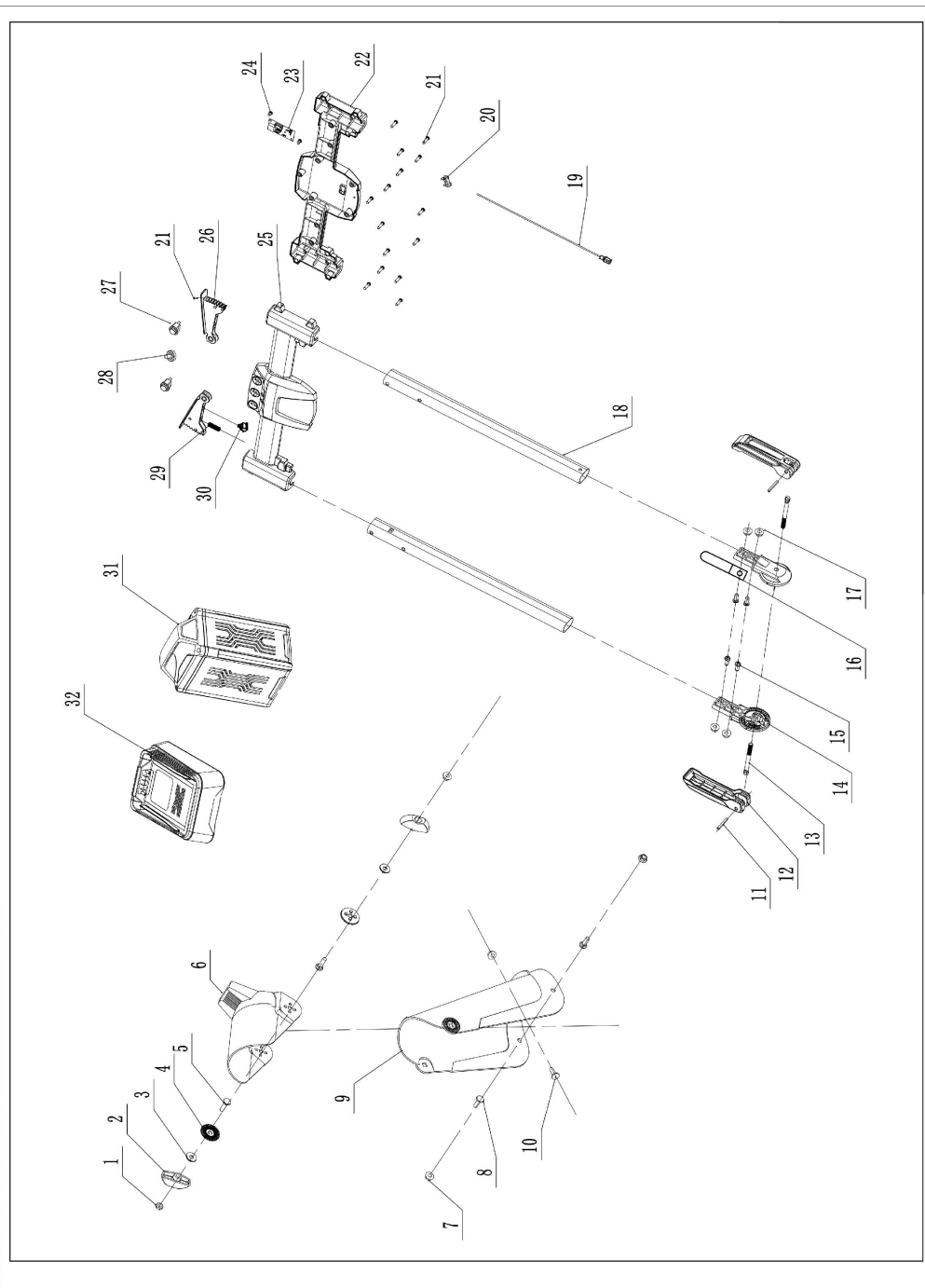
Tous les roulements de ce produit sont lubrifiés avec une quantité suffisante de lubrifiant de haute qualité pour la durée de vie de l'appareil dans des conditions normales de fonctionnement. Par conséquent, aucune lubrification de roulement supplémentaire n'est requise.

DÉPANNAGE

PROBLÈME	RAISON	SOLUTION
La poignée supérieure n'est pas en position.	Les boutons sur la poignée supérieure et/ou le levier de pince de poignée ne sont pas fixés.	Assurez-vous que les boutons de la poignée supérieure sont complètement serrés et que les leviers de pince de poignée sont complètement fermés.
Le souffleur de neige ne commence pas.	<ul style="list-style-type: none">• La batterie est faible.• Le bouton de sécurité n'est pas déprimé.	<ul style="list-style-type: none">• Chargez la batterie.• Appuyez sur le bouton de sécurité, puis appuyez sur le trigger de la tarière.
Le moteur est allumé mais la tarière ne tourne pas.	La ceinture d'entraînement est usée ou cassée.	Remplacez la ceinture d'entraînement.

NOTE: veuillez appeler les services après-vente pour d'autres problèmes.

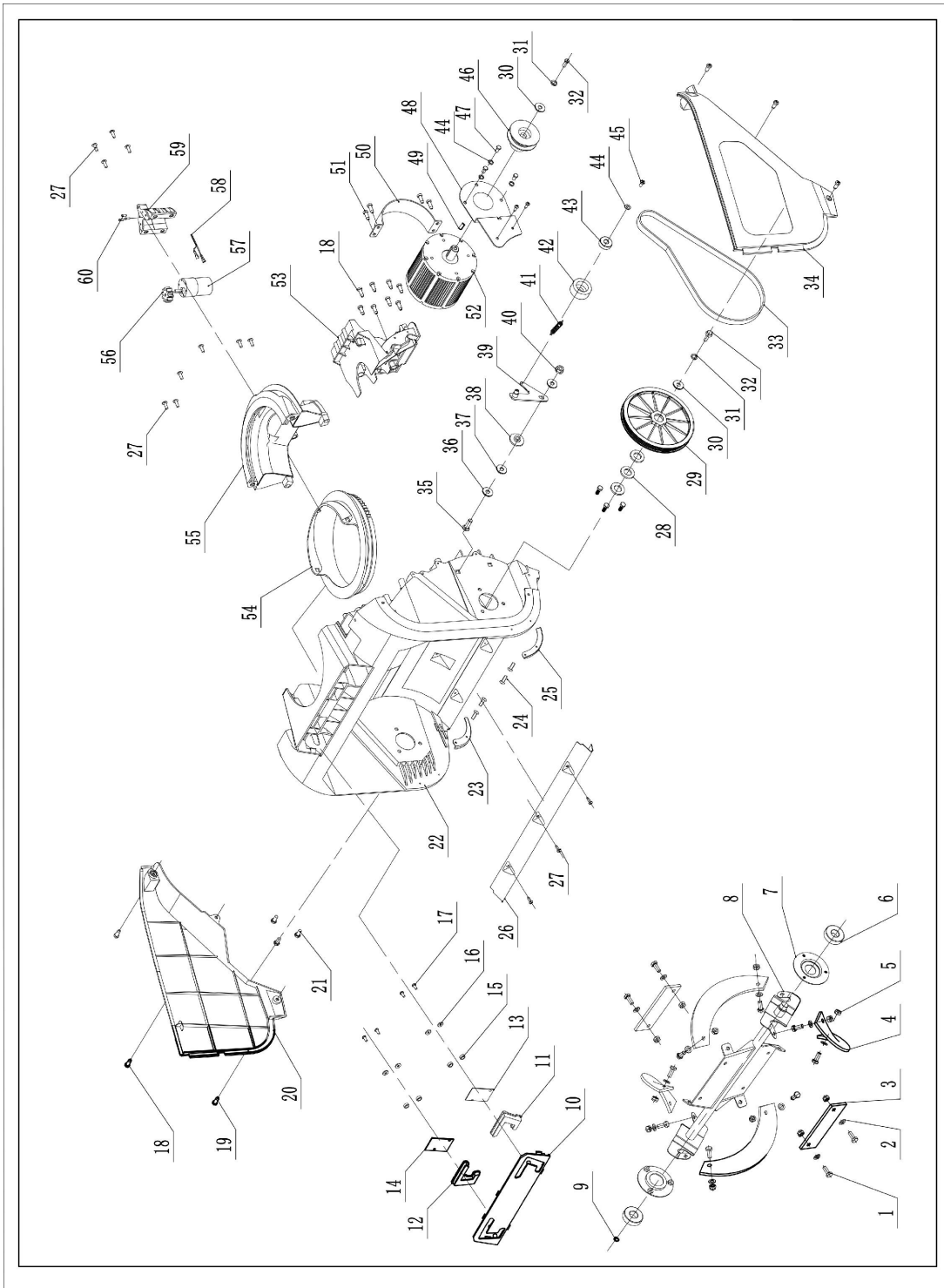
VUE EXPLOSÉE ET LISTE DES PIÈCES ASSEMBLAGE DE RAINURE & DE PANNEAU



ITEM	SKU	DESCRIPTION	QTY
1	303030066	Écrou normal M8	2
2	203020336A	Bouton	2
3	303042023	Rondelle plate Φ8xΦ18x2	2
4	203020380	Coussin dentaire	2
5	303020161	Boulon M8x25	2
6	203050174	Chute supérieure	1
7	303030077	Écrou de verrouillage M8	3
8	303020166	Boulon M8x18	2
9	203050175	Chute centrale	1
10	303020498	Boulon à bride hexagonale M8x18	1
11	303123030	Goupille cylindrique élastique Φ5x35	2
12	203021348	Clé rapide	2
13	303160812	Vis à clé M8X82.5	2
14	303160944	Dent concave tournant	2
15	303020490	Boulon à bride hexagonale M6x25mm	4
16	306010057	Boucle	1

ITEM	SKU	DESCRIPTION	QTY
17	303030130	Écrou à bride M6	4
18	303071452	Poignée supérieur	2
19	303200138	Ligne de connexion du signal de commande	1
20	203020047	Clip de câble	1
21	303010281	Vis	15
22	203050528	Couvercle de panneau inférieur	1
23	301013044	Tablette PC	1
24	303010237	Vis ST4.2x10	2
25	203050527	Couvercle de panneau supérieur	1
26	203021346	Déclencheur de commutation	2
27	301100057	Interrupteur affiné	2
28	203021366	Poignée d'interrupteur	1
29	303130363	Ressort de déclenchement	1
30	301100056	Bouton de commutation	1
31	202460014	Package de batterie DB2108	1
32	202470009	Chargeur DB2208	1

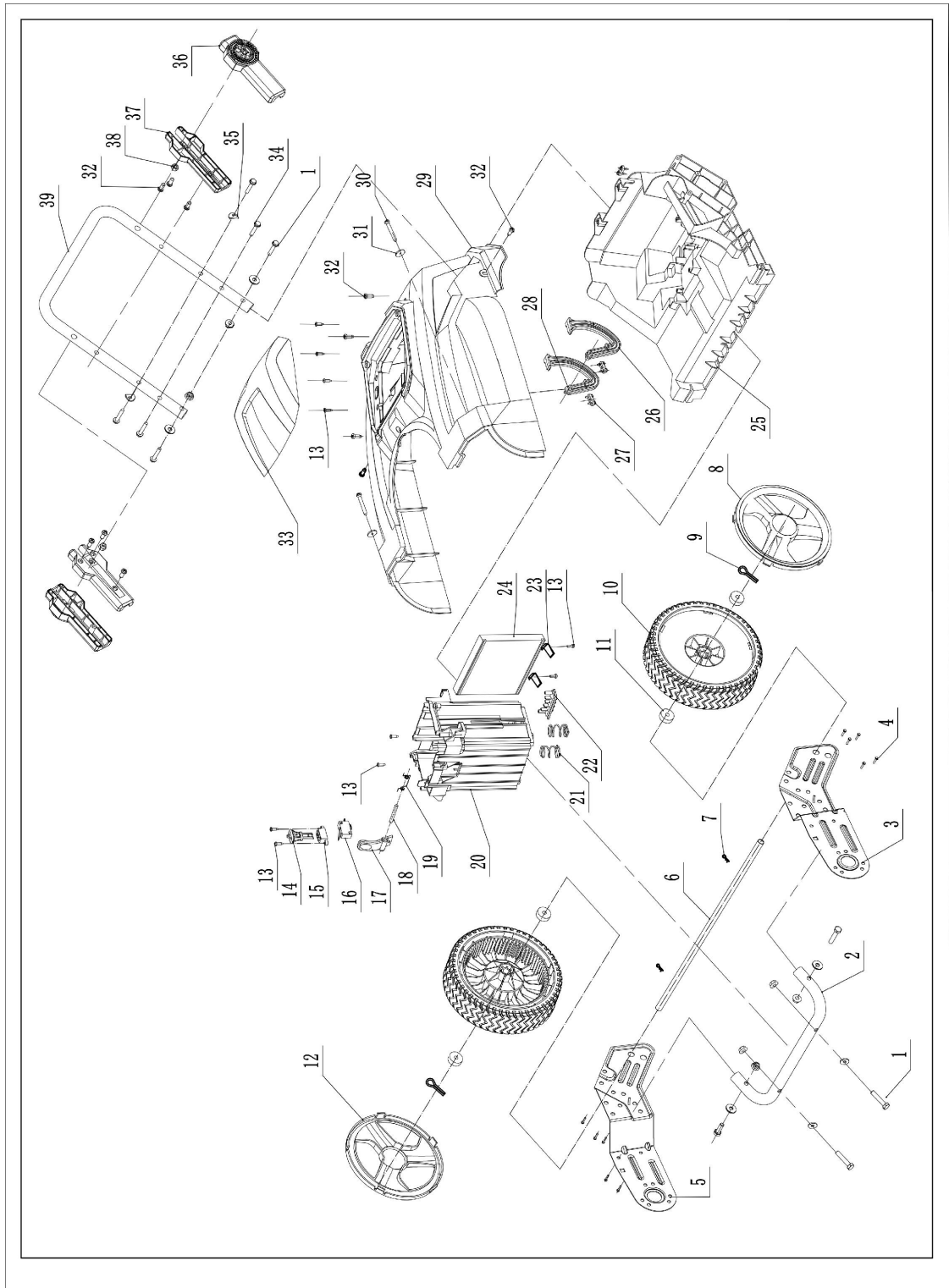
ASSEMBLAGE DE CARRTER DE LA TARIÈRE



ITEM	SKU	DESCRIPTION	QTY
1	303020106	Boulon hexagonal M8x20	12
2	303042013	Rondelle plate $\Phi 8 \times \Phi 22 \times 2$	12
3	302110091	Racloir court	2
4	302110092	Racloir long	4
5	303030036	Écrou de verrouillage M8	12
6	303100034	Palier à billes à rainure profonde	2
7	303070797	Plaque de pression du palier sondé	2
8	303181282	Axe d'hélice sondé	1
9	303050066	Anneau de l'axe	1
10	203010936	Plaque de LOGO	1
11	203010891	Abat-jour gauche	1
12	203010890	Abat-jour droit	1
13	301013048A	Plaque de lampe L	1
14	301013049A	Plaque de lampe R	1
15	303160513	Rondelle	4
16	303042019	Rondelle plate $\Phi 4 \times \Phi 12 \times 1$	4
17	303010237	Vis ST4.2x10	4
18	303010176	Vis ST6.3x16	12
19	303010383	Vis ST4.8x10	2
20	203010932	Couvercle latéral droit	1
21	303020339	Boulon hexagonal M6x14	6
22	203050170A	Base	1
23	303070739	Coin droit	1
24	303010284	Vis ST4.8x12	4
25	303070738	Coin gauche	1
26	303070741A	Pelle	1
27	303010108	Vis ST4.8x16	13
28	303042018	Rondelle plate $\Phi 18 \times \Phi 24 \times 2$	3
29	203010646	Poulie	1
30	303042009	Rondelle plate $\Phi 6 \times \Phi 22 \times 2$	2

ITEM	SKU	DESCRIPTION	QTY
31	303041009	Rondelle à ressort	5
32	303020282	Boulon hexagonal M6x16	2
33	302040083	Ceinture 3PK750	1
34	203010931	Couvercle latéral gauche	1
35	303020265	Boulon hexagonal M8x30	1
36	303042013	Rondelle plate $\Phi 8 \times \Phi 22 \times 2$	1
37	303042005	Rondelle plate $\Phi 8 \times \Phi 28 \times 3$	1
38	303160192A	Petite rondelle de plaque de tension	1
39	303181317A	Plaque de tension sondé	1
40	303030077	Écrou de verrouillage M8	7
41	303160867	Ressort de plaque de tension	1
42	203020077	Poulie de tension	1
43	303100016	Palier à billes à rainure profonde	1
44	303042035	Rondelle plate $\Phi 5 \times \Phi 16 \times 2$	1
45	303020640	Boulon M5x12	1
46	303060145A	Roue de ceinture	1
47	303020468	Boulon hexagonal M6x10mm	3
48	303071455A	Plaque de support du moteur	1
49	303110039	Clé plate 4.7x35	1
50	303181251	Pince à moteur à neige	1
51	303020625	Vis hexagonale ST6.3x30	4
52	301030088	Moteur sans pinceau	1
53	203050567	Support de moteur	1
54	203010935	Disque tournante	1
55	203050171	Partie de base	1
56	303160871	Engrenage de direction à chute	1
57	301030090	Moteur de direction à chute	1
58	303200137	Câble de connexion	1
59	203050568	Glande du moteur de direction	1
60	303020642	Boulon M3x8	3

ASSEMBLAGE DE CADRE



ITEM	SKU	DESCRIPTION	QTY
1	303020124	Boulon hexagonal M8x35	6
2	303081268	Tube supérieur 2	1
3	303071523	Plaque de support gauche	1
4	303010353	Vis ST6.3x16	10
5	303071480	Plaque de support droite	1
6	303181283A	Axe	1
7	303160845	Goupille papillon	2
8	203021362	Couvercle de roue gauche	1
9	303121002	Goupille fendue $\Phi 1.6 \times 18$	2
10	203050544	8" Pneu	2
11	303100065	Palier de pneu	4
12	203021363	Couvercle de roue droit	1
13	303010095	Vis ST4.2x14	10
14	203021264	Clé de sécurité	1
15	203010783	Couvercle supérieur de l'interrupteur	1
16	301100055	Interrupteur	1
17	203050555	Bouton d'auto-verrouillage de package de la batterie	1
18	303123035	Goupille cylindrique	1
19	303130360	Ressort de torsion de la boucle de batterie	1
20	203050554	Support de package de la batterie	1

ITEM	SKU	DESCRIPTION	QTY
21	303130122	Ressort de package de la batterie	2
22	203010859	Support d'insertion du chargeur	1
23	303071495	Plaque de commande	2
24	303240649	Contrôleur	1
25	203050935	Couvercle inférieure	1
26	203010878	Support gauche	1
27	203020047	Clip de câble	3
28	203010882	Support droit	1
29	203010934	Couvercle supérieure	1
30	303010385	Vis ST6.3x55	2
31	303042043	Rondelle plate $\Phi 6 \times \Phi 12 \times 1.5$	2
32	303010176	Vis ST6.3x16	1
33	203010933	Boîte de atterie supérieure	1
34	303010374	Vis ST6.3x35	4
35	303043010	Coussin concave	2
36	203021349	Dent concave tournant	2
37	203050536	Couvercle du dent concave tournant	2
38	303030066	Écrou hexagonale normal	2
39	303081269	Tube inférieur 1	1

DEUX (2) ANS DE GARANTIE LIMITÉE

PowerSmart s'engage à construire de l'équipement qui fournira des années de service fiable. Nos garanties sont conformes à notre engagement et à notre dévouement à la qualité.

DEUX (2) ANS DE GARANTIE LIMITÉE DES PRODUITS POWER SMART POUR L'USAGE DOMESTIQUE.

PowerSmart (« Vendeurs ») garantit à l'acheteur d'origine seulement que tous les outils d'alimentation de consommation PowerSmart seront exempts de défauts de matière ou d'exécution pour une période de deux (2) ans à partir de la date d'achat. Si l'outil(s) est utilisé lors de la prestation de services professionnels ou commerciaux, la garantie doit être d'une durée maximale de (90) jours.

L'OBLIGATION UNIQUE DU VENDEUR ET VOTRE RECOURS EXCLUSIF en vertu de cette garantie limitée de deux (2) ans et, dans la mesure permise par la loi, toute garantie ou condition implicite par la loi, est la réparation ou le remplacement de pièces, sans frais, qui sont défectueuses dans le matériel ou l'exécution et qui n'ont pas été mal utilisées, négligemment manipulées, ou mal réparées, par une personne autre qu'un vendeur autorisé ou un centre de service.

S'il vous plaît être conscient que les pièces d'usure normales ne sont pas couvertes cette garantie. Cela comprend les ceintures d'entraînement, les lames et les sacs d'herbe. Les problèmes de carburateur et/ou d'autres dommages causés par des carburants périmés, contaminés ou compromis ne sont pas couverts par cette garantie limitée.

Pour faire une réclamation en vertu de cette garantie limitée, vous devez retourner l'ensemble du produit de l'outil électrique ; transport prépayé, à PowerSmart. Le propriétaire doit inclure une copie lisible du reçu original, qui indique la date d'achat, ainsi que le nom de la société où le produit a été acheté.

CETTE GARANTIE LIMITÉE NE S'APPLIQUE PAS AUX ARTICLES ACCESSOIRES INCLUS DANS L'OUTIL TELS QUE LES LAMES DE SCIE CIRCULAIRES D'AUTRES ARTICLES CONNEXES OU AUX PIÈCES DE RECHANGE ÉNUMÉRÉES EN COURS D'ENTRETIEN.

TOUTE GARANTIE IMPLICITE EST LIMITÉE À TROIS (3) ANS À PARTIR DE LA DATE D'ACHAT. CERTAINS ÉTATS DES ÉTATS AMÉRICAINS ET DE CERTAINES PROVINCES CANADIENNES N'AUTORISENT PAS LES RESTRICTIONS QUANT À LA DURÉE D'UNE GARANTIE IMPLICITE, DE SORTE QUE LA LIMITATION CI-DESSUS PEUT NE PAS S'APPLIQUER À VOUS.

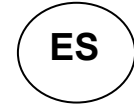
EN AUCUN CAS LE VENDEUR NE SERA RESPONSABLE DES DOMMAGES ACCESSOIRES OU CONSÉQUENTS (Y COMPRIS, MAIS SANS S'Y LIMITER, DE LA RESPONSABILITÉ POUR PERTE DE BÉNÉFICES) DÉCOULANT DE LA VENTE OU DE L'UTILISATION DE CE PRODUIT. CERTAINS ÉTATS DES ÉTATS AMÉRICAINS ET DE CERTAINES PROVINCES CANADIENNES N'AUTORISENT PAS L'EXCLUSION OU LA LIMITATION DES DOMMAGES ACCESSOIRES OU CONSÉQUENTS, DE SORTE QUE LA LIMITATION OU L'EXCLUSION SUSMENTIONNÉE PEUT NE PAS S'APPLIQUER À VOUS.

CETTE GARANTIE LIMITÉE VOUS DONNE DES DROITS JURIDIQUES SPÉCIFIQUES, ET VOUS POUVEZ ÉGALEMENT AVOIR D'AUTRES DROITS QUI VARIENT D'UN ÉTAT À L'AUTRE AUX ÉTATS-UNIS, D'UNE PROVINCE À L'AUTRE AU CANADA ET D'UN PAYS À L'AUTRE.

S'il vous plaît appeler sans frais à : 1-800-791-9458(L-V 9am – 5pm EST) Email : support@amerisuninc.com

VEUILLEZ ENREGISTRER TOUS VOS REÇUS D'ORIGINE. CETTE GARANTIE EST NULLE SANS EUX.

CONTENIDOS



Datos técnicos.....	46
Introducción.....	47
Símbolos de seguridad.....	47
Capacitación	50
Conocer tu soplador de nieve.....	52
Montaje	53
Operación.....	54
Mantenimiento.....	59
Solución de problemas.....	60
Vista despiezada y lista de piezas.....	61
Garantía.....	67

DATOS TÉCNICOS

Soplador de Nieve Inalámbrico de Una Sola Etapa de 21 pulgadas

Modelo #:	DB2801RB
Voltaje de la Batería:	80 V
Capacidad de la Batería:	6 Ah
Tiempo de Carga:	90 minutos
Ancho de Limpieza:	21 pulgadas
Altura de Limpieza:	12.5 pulgadas
Ángulo de Rotación de la rampa:	180°
Tamaño de la Rueda:	8 pulgadas
Dimensiones Generales:	26.4x22.4x21 in
Peso:	71 libras

Gracias por comprar productos PowerSmart.

Es fundamental y muy recomendable que lea este manual de instrucciones en su totalidad, ya que es una herramienta invaluable y un punto de referencia para comprender el funcionamiento de su unidad.

Registre su unidad en línea en [www. Amerisuninc.com](http://www.Amerisuninc.com). Este proceso nos permitirá rastrear la información de su garantía y actualizar nuestros registros con respecto a su unidad en consecuencia.

Importante: Nuestra compañía no proporciona E-mail ni información personal a ningún tercero por ningún motivo. Si tiene alguna pregunta, visite nuestro sitio web o llame a servicio al cliente al (800) 791 9458.

INTRODUCCIÓN

Gracias por comprar un producto PowerSmart®. Este manual proporciona información sobre la operación y el mantenimiento seguros de este producto. Se han realizado todos los esfuerzos posibles para garantizar la precisión de la información de este manual. PowerSmart® se reserva el derecho de cambiar este producto y las especificaciones en cualquier momento sin previo aviso.

Mantenga este manual disponible para todos los usuarios durante toda la vida útil del soplador de nieve.





Este manual contiene mensajes especiales para llamar la atención sobre posibles problemas de seguridad, daños en el soplador de nieve, así como información útil sobre el funcionamiento y el mantenimiento. Lea toda la información detenidamente para evitar lesiones y daños a la máquina.

¿PREGUNTAS? ¿PROBLEMAS?

Comuníquese con nuestro Departamento de Servicio al Cliente con cualquier pregunta y/o comentario, ya sea por E-mail: support@amerisuninc.com, o llame al (800) 791-9458. Estamos disponibles de lunes a viernes de 9am-5pm EST para ayudarlo a resolver cualquier problema que pueda encontrar.

SÍMBOLOS DE SEGURIDAD


 El propósito de los símbolos de seguridad es llamar su atención sobre posibles peligros. Los símbolos de seguridad y las explicaciones que los acompañan merecen su atención y comprensión. Los símbolos de advertencia no eliminan por sí mismos ningún peligro. Las instrucciones y advertencias que dan no sustituyen a las medidas adecuadas de prevención de accidentes.

 **ADVERTENCIA:** Asegúrese de leer y comprender todas las instrucciones de seguridad de este Manual del Operador, incluidos todos los símbolos de alerta de seguridad como "PELIGRO", "ADVERTENCIA" y "PRECAUCIÓN" antes de utilizar esta herramienta. El incumplimiento de todas las instrucciones que se enumeran a continuación puede provocar descargas eléctricas, incendios y/o lesiones personales graves.

SIGNIFICADO DEL SÍMBOLO

SÍMBOLO DE ALERTA DE SEGURIDAD: Indica **PELIGRO**, **ADVERTENCIA** o **PRECAUCIÓN**.




 Puede usarse junto con otros símbolos o pictografías.
ADVERTENCIA: El funcionamiento de cualquier herramienta eléctrica puede provocar que se le arrojen objetos extraños a los ojos, lo que puede provocar daños graves en los ojos. Antes de comenzar a utilizar la herramienta eléctrica, utilice siempre gafas de seguridad o anteojos de seguridad con protectores laterales y un protector facial completo cuando sea necesario. Recomendamos una máscara de seguridad de visión amplia para usar sobre anteojos o anteojos de seguridad estándar con protección lateral. Utilice siempre protección para los ojos que esté marcada para cumplir con ANSI Z87.1.

INSTRUCCIÓN DEL SÍMBOLO

Esta página muestra y describe los símbolos de seguridad que pueden aparecer en este producto. Lea, comprenda y siga todas las instrucciones de la máquina antes de intentar ensamblarla y operarla.

	Alerta de seguridad	Indica un peligro potencial de lesiones personales.
	Protección para los ojos	Siempre use anteojos de seguridad o gafas de seguridad con protectores laterales y un protector facial completo cuando opere este producto.
	Protección para los oídos	Para protegerse contra lesiones, use protectores para los oídos.
	Lea el manual del operador	Para reducir el riesgo de lesiones, el usuario debe leer y comprender el manual del operador antes de usar este producto.
	PELIGRO - Mantenga las manos alejadas del impulsor	No use las manos para desatascar el conducto.
	ADVERTENCIA- CUCHILLAS GIRATORIAS	Mantenga las manos fuera de las aberturas de entrada y descarga mientras la máquina está en funcionamiento. Hay cuchillas giratorias en el interior.
	Mantenga los pies fuera del impulsor	Mantenga los pies alejados del impulsor giratorio.
	¡ADVERTENCIA!	Siempre apague la máquina y retire la llave de seguridad antes de realizar una inspección, limpieza y mantenimiento.
	¡ADVERTENCIA!	Solamente para uso en interiores. Utilice el cargador de batería únicamente en interiores.
	¡PRECAUCIÓN!	¡PRECAUCIÓN! Tenga cuidado con las piedras y otros objetos extraños que puedan salir despedidos del aparato.
	¡ADVERTENCIA!	Mantenga a los transeúntes y a los niños a una distancia segura (al menos 33 pies/10 m) del área de trabajo.
	Protección para los pies	Use guantes protectores y calzado antideslizante cuando utilice la máquina y manipule escombros.
	DETENER	La parte giratoria funcionará continuamente durante varios segundos después de que apague la máquina.

	Alerta de condiciones húmedas	No lo exponga a la lluvia ni lo use en lugares húmedos.
IPX4	Grado de protección de ingreso	Protección contra salpicaduras de agua
V	Voltio	Voltaje
A	Amperios	Corriente
Hz	Hertz	Frecuencia (ciclos por segundo)
W	Vatio	Potencia
min	Minutos	Tiempo
—	Corriente continua	Tipo o característica de corriente

ADVERTENCIA: Para garantizar la seguridad y confiabilidad, todas las reparaciones deben ser realizadas por un técnico de servicio calificado.

PRÁCTICAS DE OPERACIÓN SEGURA PARA EL SOPLADOR DE NIEVE

PELIGRO: Este soplador de nieve puede amputar manos y pies y arrojar objetos. El incumplimiento de las siguientes instrucciones de seguridad podría resultar en lesiones graves.

PARA TODOS LOS SOPLADORES DE NIEVE

- No utilice sobre superficies de grava.
- Mantenga alejados a los niños: todos los visitantes deben mantenerse a una distancia segura del área de trabajo.
- Vístase apropiadamente: no use ropa holgada ni joyas. Pueden quedar atrapados en piezas móviles.
- Use botas de goma cuando opere el soplador de nieve.
- Mantenga las manos alejadas de las piezas móviles.
- Mantenga las protecciones en su lugar y en funcionamiento.
- No fuerce el soplador de nieve: funcionará mejor y más seguro a la velocidad para la que fue diseñado.
- No se exceda: mantenga la postura y el equilibrio en todo momento.
- Si el soplador de nieve golpea un objeto extraño, siga estos pasos:
 1. Detenga el soplador de nieve. Suelta el interruptor.
 2. Retire la batería y la llave de seguridad.
 3. Inspeccione si hay daños.
 4. Repare cualquier daño antes de reiniciar y operar el soplador de nieve.
- Cuando no estén en uso, los sopladores de nieve deben guardarse en el interior, en un lugar seco y cerrado, fuera del alcance de los niños.

CAPACITACIÓN

- Lea, comprenda y siga todas las instrucciones en la máquina y en el manual antes de operar esta unidad. Familiarícese completamente con los controles y el uso adecuado del equipo. Sepa cómo detener la unidad y desconectar los controles rápidamente.
- Nunca permita que los niños operen el equipo. Nunca permita que los adultos operen el equipo sin la instrucción adecuada.
- Mantenga el área de operación libre de personas, especialmente niños pequeños.
- Tenga cuidado para evitar resbalones o caídas, especialmente cuando opere el soplador de nieve en reversa.

PREPARACIÓN

- Inspeccione minuciosamente el área donde se utilizará el equipo y retire todos los felpudos, trineos, tablas, cables y otros objetos extraños.
- No opere el equipo sin usar ropa de invierno adecuada. Evite la ropa holgada que pueda quedar atrapada en las partes móviles. Use calzado que mejore el equilibrio en superficies resbaladizas.
- Nunca intente hacer ningún ajuste mientras el motor está funcionando (excepto cuando lo recomiende específicamente el fabricante).
- Siempre utilice gafas de seguridad o protectores para los ojos durante el funcionamiento o mientras realiza un ajuste o reparación para proteger los ojos de objetos extraños que puedan salir despedidos de la máquina.

OPERACIÓN

- No coloque las manos ni los pies cerca o debajo de las piezas giratorias. Manténgase alejado de la abertura del descargador en todo momento.
- Tenga mucho cuidado al operar o cruzar caminos de grava, senderos o caminos. Manténgase alerta a los peligros ocultos o al tráfico.
- Después de golpear un objeto extraño, detenga el motor, retire el paquete de baterías, inspeccione minuciosamente el soplador de nieve para detectar cualquier daño y repare el daño antes de reiniciar y operar el soplador de nieve.
- Si la unidad comienza a vibrar de forma anormal, detenga el motor y compruebe inmediatamente la causa. La vibración es generalmente una advertencia de problemas.
- Detenga el motor siempre que deje la posición de funcionamiento, antes de desatascar la carcasa del conjunto de la barrena o el conducto de descarga y cuando realice reparaciones, ajustes o inspecciones.
- Al limpiar, reparar o inspeccionar el soplador de nieve, detenga el motor y asegúrese de que el conjunto de la barrena y todas las piezas móviles se hayan detenido. Retire la batería para evitar que alguien arranque accidentalmente el motor.
- Tenga mucho cuidado al operar en pendientes.
- Nunca opere el soplador de nieve sin los protectores adecuados y otros dispositivos de protección de seguridad en su lugar y funcionando.
- Nunca dirija la descarga hacia personas o áreas donde puedan ocurrir daños a la propiedad. Mantenga alejados a los niños y otras personas.
- No sobrecargue la capacidad de la máquina intentando quitar la nieve a una velocidad demasiado rápida.
- Desconecte la energía del conjunto de la barrena cuando el soplador de nieve se transporte o no esté en uso.
- Utilice únicamente componentes y accesorios aprobados por el fabricante del soplador de nieve (como paletas de goma, barra raspadora y correa de transmisión).

- Nunca opere el soplador de nieve sin buena visibilidad o luz. Asegúrese siempre de mantenerse firme y sujete firmemente las manijas. Caminar; nunca corras.
- Úselo únicamente con el paquete de baterías y los cargadores que se enumeran a continuación:

PAQUETE DE BATERÍAS	CARGADOR
DB2108	DB2208

LIMPIEZA DE UN CANAL DE DESCARGA ATASCADO

El contacto manual con el conjunto de la barrena giratoria dentro del conducto de descarga es la causa más común de lesiones asociadas con los sopladores de nieve. Nunca use su mano para limpiar el conducto de descarga.

Para limpiar la rampa:

- **¡APAGUE EL MOTOR!**
- Espere 10 segundos para asegurarse de que las cuchillas del conjunto de la barrena hayan dejado de girar.
- Utilice siempre una herramienta de limpieza, no las manos.

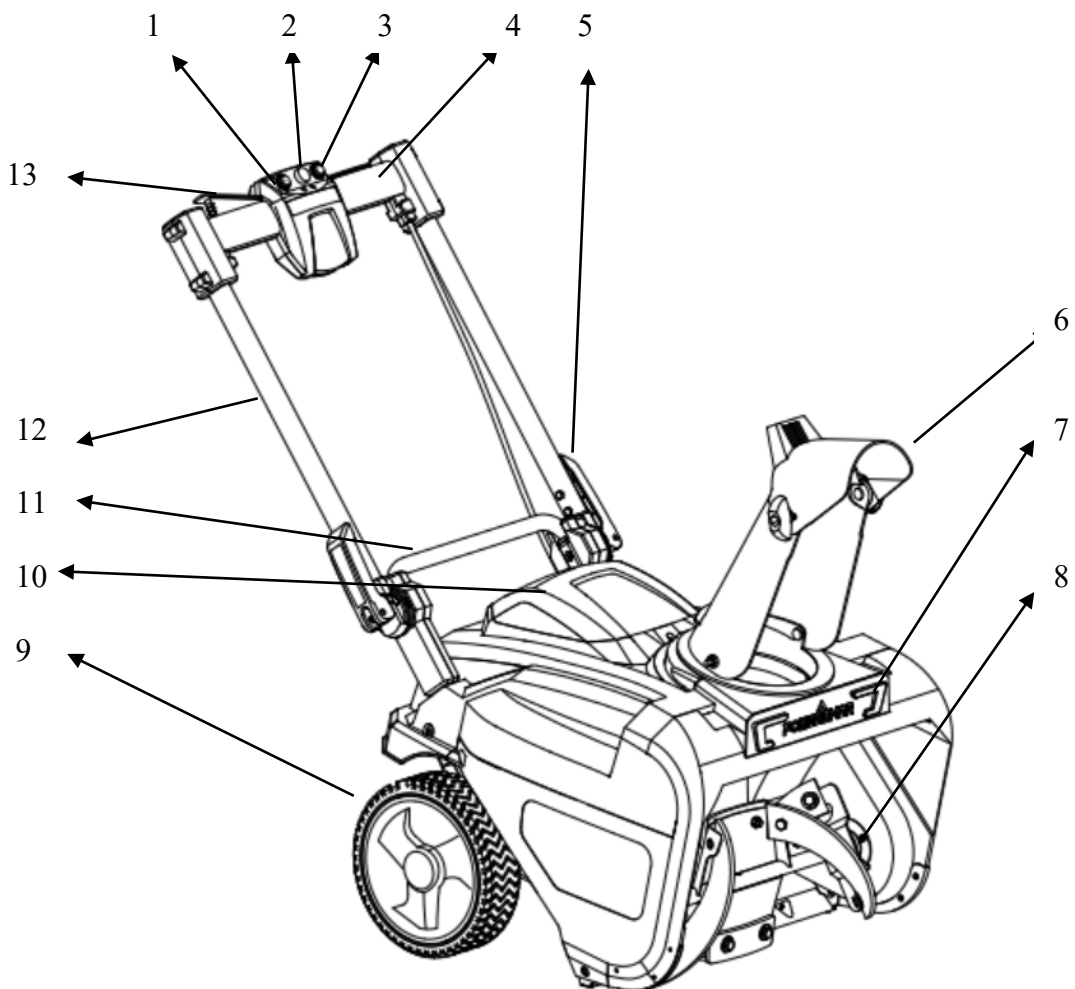
MANTENIMIENTO Y ALMACENAMIENTO

- Revise todos los pernos o sujetadores a intervalos frecuentes para verificar que estén bien apretados para asegurarse de que el equipo esté en condiciones de trabajo seguras.
- Consulte siempre el manual del operador para obtener detalles importantes si el soplador de nieve se va a almacenar durante un período prolongado.
- Mantenga o reemplace las etiquetas de seguridad e instrucciones, según sea necesario.
- Haga funcionar la máquina unos minutos después de soplar nieve para evitar que se congele el conjunto de la barrena.
- Las temperaturas de carga óptimas están entre 32°F (0°C) y 122°F (0°C - 50°C).

GUARDA ESTAS INSTRUCCIONES. Consúltelos con frecuencia y utilícelos para instruir a otras personas que puedan utilizar esta herramienta. Si le presta esta herramienta a otra persona, entréguele también estas instrucciones para evitar el uso indebido del producto y posibles lesiones.

CONOCER A SU SOPLADOR DE NIEVE

Utilice la siguiente ilustración para familiarizarse con la ubicación y función de los componentes que controlan su soplador de nieve.



- | | | | |
|---|--------------------|----|--------------------|
| 1 | Botón de seguridad | 7 | Luz LED |
| 2 | Control de rampa | 8 | Barrena |
| 3 | Interruptor LED | 9 | Rueda |
| 4 | Panel | 10 | Tapa de la batería |
| 5 | Perilla | 11 | Manija inferior |
| 6 | rampa | 12 | Manija superior |
| | | 13 | Gatillo de barrena |

Botón de seguridad

Ubicado a la derecha del panel, el botón de seguridad debe presionarse antes de que se pueda arrancar el motor.

Gatillo de control de barrena

Ubicado en el lado derecho del panel, el gatillo de control de la barrena se usa para activar y desactivar las barrenas. Apriete el gatillo de control de la barrena para activar las barrenas; suelte para desenganchar los barrenas.

Luz LED

Ubicada en la parte frontal de la unidad, esta característica proporciona luz adicional para una mayor visibilidad.

MONTAJE

La siguiente sección describe los pasos necesarios para preparar el soplador de nieve para su uso. Si después de leer esta sección, no está seguro de cómo realizar alguno de los pasos, llame al (800) 791-9458 de lunes a viernes de 9 - 5 EST para obtener asistencia de servicio al cliente. No seguir estos pasos correctamente puede dañar el soplador de nieve.



ADVERTENCIA: Para evitar un arranque accidental que podría causar lesiones personales graves, siempre retire el paquete de baterías de la herramienta cuando monte las piezas.



ADVERTENCIA: Si hay partes dañadas o faltantes, no opere este producto hasta que se hayan reemplazado. El uso de este producto con partes dañadas o faltantes podría resultar en lesiones personales graves.

ADVERTENCIA: No intente modificar esta herramienta o crear accesorios no recomendados para usar con este producto. Cualquier alteración o modificación es un uso indebido y podría resultar en una condición peligrosa que conduzca a lesiones graves.

Desembalaje

- Sujete la manija trasera y la parte delantera del producto al mismo tiempo para levantar con cuidado la herramienta y sacarla de la caja. Retire cualquier otro accesorio de la caja. Asegúrese de que se incluyan todos los elementos enumerados en la lista de empaque.

Desempaque el soplador de nieve y todas sus partes y compárelo con la lista siguiente.

1. Soplador de nieve
2. Conjunto de conducto de descarga
3. Paquete de baterías
4. Cargador
5. Manual del usuario
6. Llave de seguridad

MONTAJE

Su soplador de nieve requerirá un poco de montaje. Complete los siguientes pasos antes de usar su soplador de nieve.

Paso 1: Despliegue de la manija superior

1. Abra las palancas de liberación rápida en ambos lados y gire suavemente la manija superior hacia arriba hasta que se detengan. Figura 1.
2. Cierre las palancas de liberación rápida y luego apriete las perillas para asegurar la manija superior en su lugar.

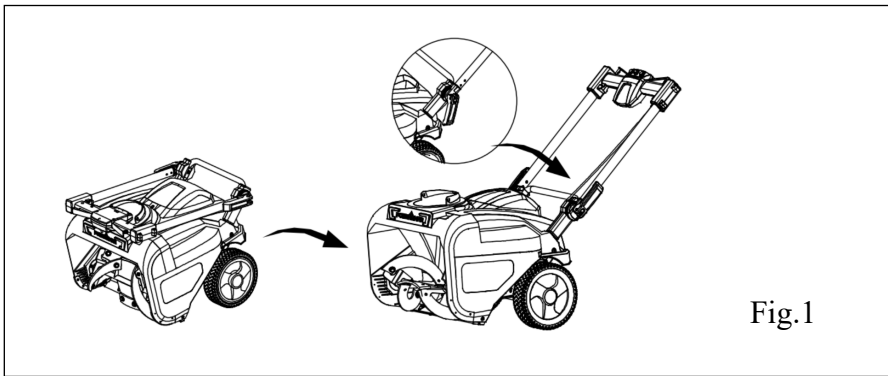


Fig.1

Paso 2: Instalación del conjunto del canal

1. Inserte el conducto a la base. (Ver Fig. 2).
2. Con una llave de 13 mm, asegure el conducto a la base con los (3) tornillos, arandelas y tuercas provistas.

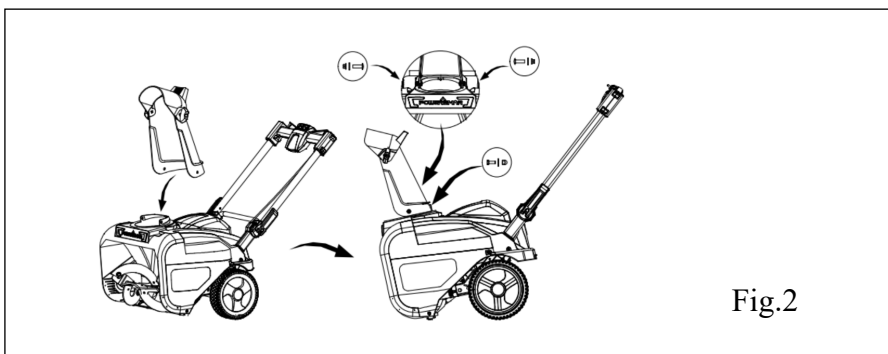


Fig.2

OPERACIÓN

⚠ ADVERTENCIA: No permita que la familiaridad con este producto lo vuelva descuidado. Recuerde que una fracción de segundo descuidada es suficiente para causar lesiones graves.

⚠ ADVERTENCIA: Siempre use protección para los ojos con protectores laterales marcados para cumplir con ANSI Z87.1. Si no lo hace, podría provocar que le arrojen objetos a los ojos y otras posibles lesiones graves.

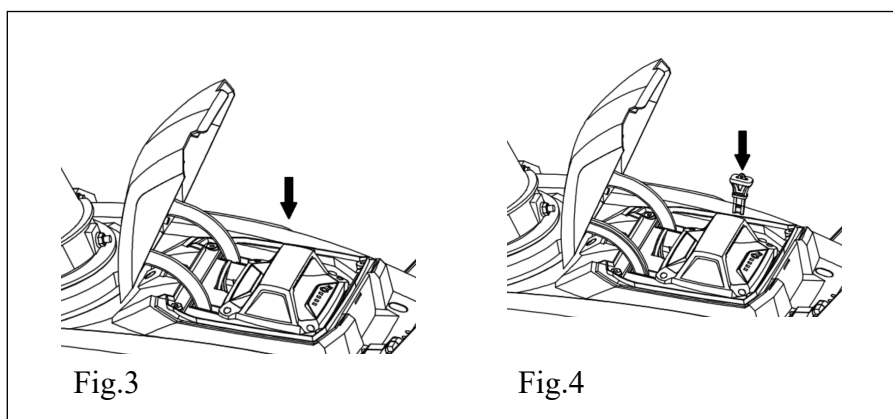
⚠ ADVERTENCIA: No utilice ningún componente o accesorio no recomendado por el fabricante de este producto. El uso de componentes o accesorios no recomendados puede provocar lesiones personales graves.

Para instalar el paquete de baterías

Cuando no esté en uso, el paquete de baterías debe almacenarse en un área cerrada donde la temperatura no descienda por debajo de -4°F (-20°C). Las temperaturas de carga óptimas están entre 32°F (0°C) y 122°F (0°C - 50°C).

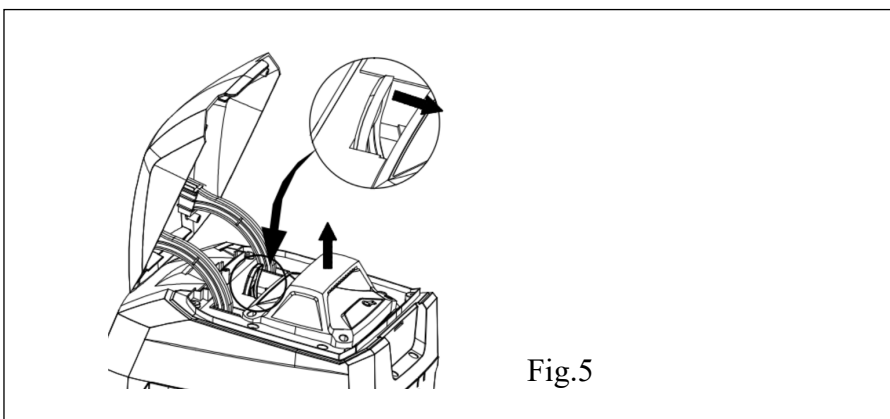
⚠ ADVERTENCIA: Si falta alguna parte o está rota, no intente colocar el paquete de baterías en el soplador de nieve ni operar el soplador de nieve hasta que se reemplacen las partes rotas o faltantes. El no hacerlo podría resultar en lesiones graves.

1. Abra la tapa del compartimiento de la batería y deslice la batería verticalmente hacia abajo como muestra la Fig 3.
2. Inserte la llave de seguridad en la ranura y cierre la tapa del compartimiento de la batería como muestra la Fig. 4.



Para quitar la batería

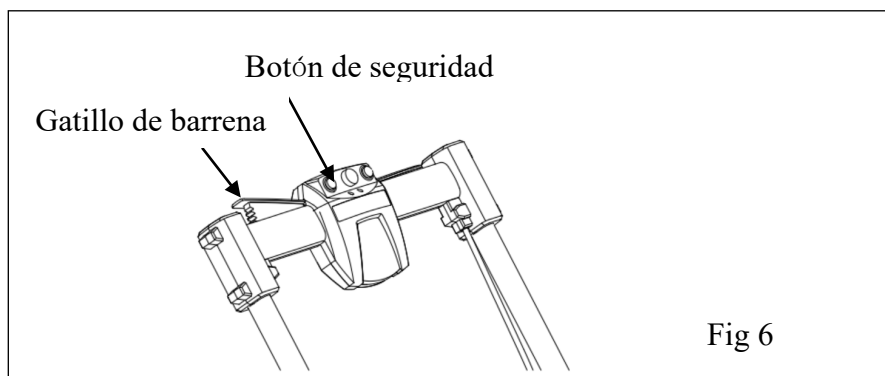
1. Retire la llave de seguridad.
2. Mantenga presionado el botón del pestillo de la batería en la parte inferior del paquete de baterías.
3. Retire el paquete de baterías del producto.



NOTA: Asegúrese de que el pestillo del soplador de nieve encaje en su lugar y que el paquete de baterías esté asegurado a la unidad antes de comenzar a operar.

Para iniciar el soplador de nieve

1. Instale el paquete de baterías en el soplador de nieve.
2. Inserte la llave de seguridad y cierre la tapa.
3. Mantenga presionado el botón de seguridad, entonces apriete el gatillo de broca. Y puede aflojar el botón de seguridad después de funcionar la broca. Como Figura 6.



Para detener el soplador de nieve

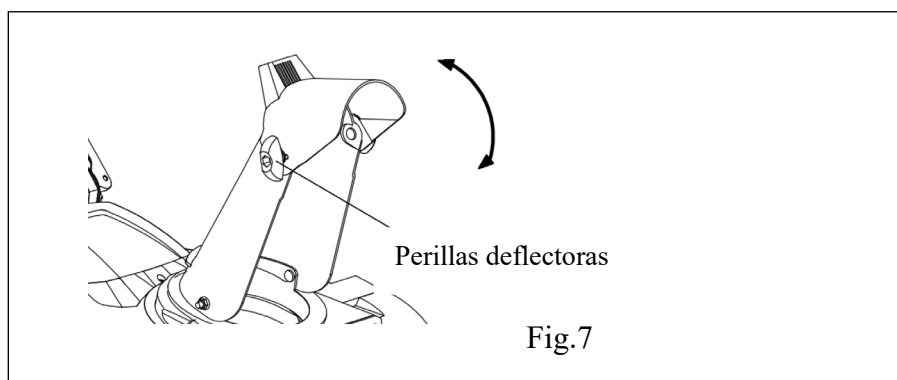
1. Suelte el gatillo de la barrena.
2. Quite la batería y guárdela en un lugar seguro fuera del alcance de los niños.
3. Retire la llave de seguridad.

Ajuste de la rampa

La rampa se puede ajustar para cambiar tanto la dirección como la distancia de la nieve descargada para ayudarlo a alejar la nieve de un área y colocarla en otra.

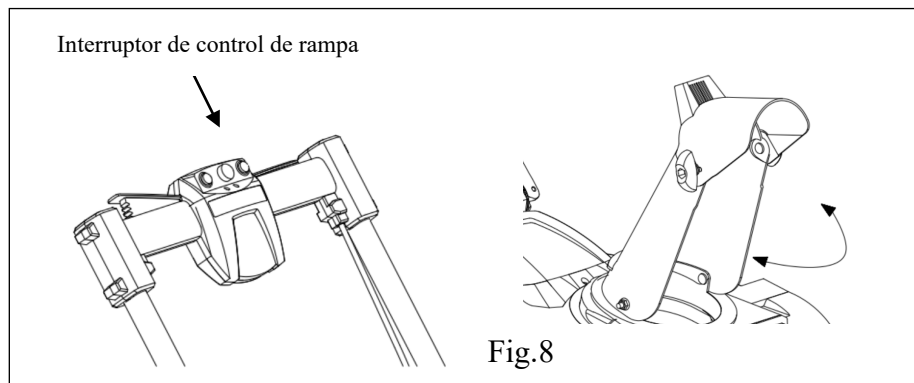
La distancia de lanzamiento del soplador de nieve se ajusta moviendo el deflector de la rampa hacia arriba o hacia abajo.

1. Afloje las perillas para subir o bajar el deflector hasta el grado deseado de nieve que desee tirar. Apriete las perillas para asegurar el deflector. (Fig.7)



La dirección de la remoción de nieve se puede ajustar hasta 180 °.

1. Puede ajustar la dirección de la rampa girando la perilla de control de la rampa en el panel. (Fig.8)



⚠ ADVERTENCIA: No fuerce la rampa hacia adelante tanto que aparezca un espacio entre el deflector y la rampa en sí. La nieve u otros escombros podrían salir despedidos a través del espacio y volver al operador, lo que podría ocasionar lesiones personales graves.

⚠ ADVERTENCIA: No ajuste el deflector de la rampa mientras el interruptor de seguridad está activado. Suelte siempre el interruptor de seguridad antes de ajustar el deflector del canal.

Para limpiar la rampa

1. ¡Apague el motor y la barrena!
2. Quite el paquete de baterías del soplador de nieve.
3. Espere 10 segundos para asegurarse de que la barrena haya dejado de girar.
4. Utilice siempre una herramienta de limpieza, como una varilla de madera u otras herramientas de limpieza que estén disponibles comercialmente; no use su mano.

Indicador de nivel de carga de la batería

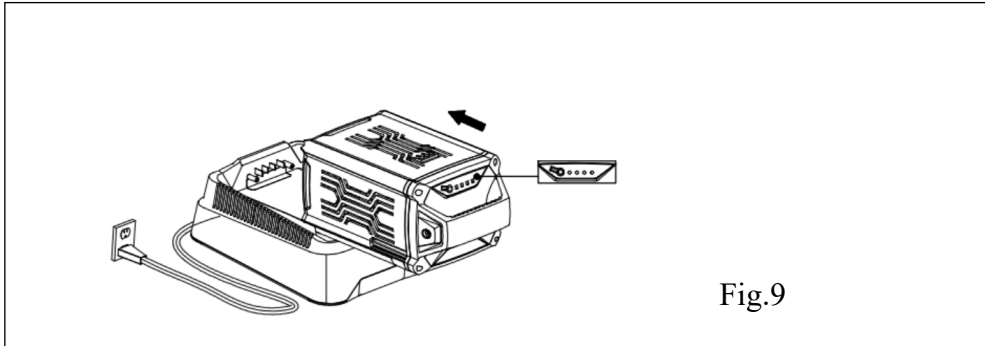
La batería está equipada con un botón para verificar el nivel de carga. Simplemente presione el botón para leer el nivel de carga de la batería en los LED del indicador de batería:

Luces	Indicadores luminosos
1 luz encendida	La batería está al 25% de su capacidad y debe cargarse.
2 luces encendidas	La batería está al 50% de su capacidad y debe cargarse pronto.
3 luces encendidas	La batería está al 75% de su capacidad.
4 luces encendidas	La batería está a plena capacidad.

NOTA: Si el botón de nivel de carga no parece estar funcionando, coloque el paquete de batería en el cargador y cárguelo según sea necesario.

Carga de la batería

1. Tire del botón de bloqueo de la batería para sacar el paquete de baterías del equipo.
2. Inserte el enchufe del cargador en el tomacorriente de pared.
3. Coloque el paquete de baterías en el cargador deslizándolo como se muestra para bloquearlo en su posición.
4. Cuando la carga esté completa, retire la batería del cargador tirando del botón de bloqueo.



NOTA: Las temperaturas de carga óptimas están entre 32°F (0°C) y 122°F (0°C - 50°C). Si hay algún problema con la batería. Comuníquese con el centro de servicio al cliente para obtener ayuda.

CONSEJOS OPERATIVOS

PELIGRO: Nunca use un soplador de nieve en lagos, ríos o superficies similares heladas. Podría producirse la muerte o lesiones graves si se rompe el hielo.

PELIGRO: Nunca use el soplador en un tejado u otra superficie inestable, que puede resultar en la muerte o lesiones personales graves.

⚠️ ADVERTENCIA: No utilice el soplador de nieve sobre hielo, ya que puede hacer que el operador se resbale y se caiga, lo que podría provocar lesiones personales graves.

ADVERTENCIA: No use ropa holgada, bufandas ni joyas. Pueden quedar atrapados en las piezas móviles y causar la muerte o lesiones personales graves.

⚠️ ADVERTENCIA: Mantenga toda la descarga de nieve apuntando lejos de todos los dispositivos eléctricos para reducir el riesgo de electrocución o descarga eléctrica.

⚠️ ADVERTENCIA: Nunca apunte el soplador de nieve o el conducto de descarga en dirección a personas o mascotas. La nieve u otros objetos arrojados pueden provocar lesiones personales graves.


⚠️ ADVERTENCIA: Asegúrese de que el área que se va a limpiar esté libre de piedras, palos, cables, grava y otros objetos que puedan ser arrojados accidentalmente por el soplador de nieve en cualquier dirección y causar lesiones personales graves al operador y a otras personas.


- Si la unidad entra en contacto con cualquier tipo de obstrucción o escombros durante el uso, detenga el soplador de nieve, retire el paquete de baterías, retire la obstrucción e inspeccione la unidad cuidadosamente antes de continuar.

⚠️ ADVERTENCIA: Nunca introduzca la mano en el conducto de descarga ni coloque ninguna parte del cuerpo frente al soplador de nieve cuando la unidad esté en funcionamiento o cuando el paquete de baterías esté instalado. Asegúrese siempre de que todas las piezas móviles se hayan detenido y que se haya retirado el paquete de baterías antes de eliminar cualquier obstrucción. El incumplimiento de estas instrucciones puede resultar en lesiones personales graves.

- Fíjese en la dirección del viento antes de comenzar. Cuando sea posible, descargue la nieve en la misma dirección que el viento para evitar que la nieve vuelva a caer en su cara.
- Algunas partes del soplador de nieve pueden congelarse en condiciones climáticas extremas.
- No intente operar la unidad con partes congeladas.
- Cuando termine, deje que el motor funcione durante unos minutos más para evitar que las piezas móviles se congelen, luego gire la manija de rotación del conducto hacia adelante y hacia atrás varias veces para liberarlo de la acumulación de hielo. Asegúrese de limpiar la nieve y el hielo de la base de la rampa.
- En condiciones de nieve y frío, algunos controles y partes móviles pueden congelarse. No use fuerza excesiva cuando intente operar controles congelados. Si tiene dificultades para operar cualquier control o pieza, encienda la máquina como se muestra en la sección “ENCENDIDO/APAGADO DEL SOPLADOR DE NIEVE” (página 12) y déjela funcionar durante unos minutos.

MANTENIMIENTO

 **ADVERTENCIA:** Para evitar lesiones personales graves, siempre retire el paquete de baterías del soplador de nieve antes de limpiar o realizar cualquier mantenimiento.

 **ADVERTENCIA:** Al realizar el mantenimiento, utilice únicamente piezas de repuesto idénticas. El uso de cualquier otra pieza puede crear un peligro o dañar el producto. Para garantizar la seguridad y confiabilidad, todas las reparaciones deben ser realizadas por un técnico de servicio calificado.

NOTA: Inspeccione periódicamente todo el producto en busca de piezas dañadas, faltantes o sueltas, como tornillos, tuercas, pernos, tapas, etc. Apriete firmemente todos los sujetadores y tapas y no utilice este producto hasta que se hayan reemplazado todas las piezas faltantes o dañadas.

Consejos generales de mantenimiento

Evite el uso de disolventes al limpiar piezas de plástico. La mayoría de los plásticos son susceptibles de dañarse con varios tipos de disolventes comerciales y pueden dañarse con su uso. Utilice paños limpios para eliminar la suciedad, el polvo, el aceite, la grasa, etc.

ADVERTENCIA: En ningún momento permita que líquidos de frenos, gasolina, productos a base de petróleo, aceites penetrantes, etc. entren en contacto con las piezas de plástico. Los productos químicos pueden dañar, debilitar o destruir el plástico, lo que puede provocar lesiones personales graves.

LUBRICACIÓN DE LA MÁQUINA

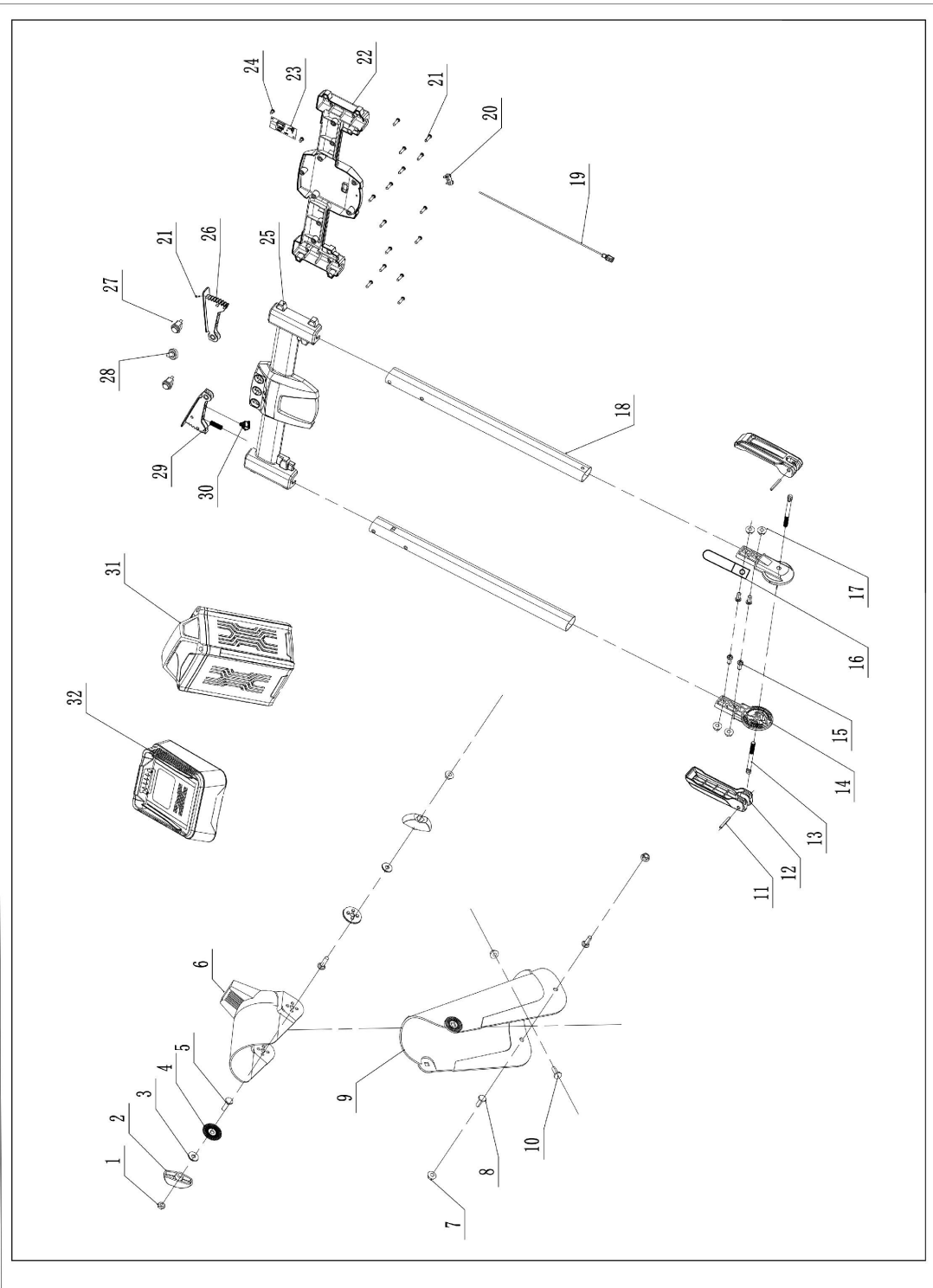
Todos los cojinetes de este producto están lubricados con una cantidad suficiente de lubricante de alto grado para la vida útil de la unidad en condiciones normales de funcionamiento. Por lo tanto, no se requiere lubricación adicional de cojinetes.

SOLUCIÓN DE PROBLEMAS

PROBLEMA	CAUSA	SOLUCIÓN
La manija superior no está en posición.	Las perillas de la manija superior y/o la abrazadera de la manija no están aseguradas.	Asegúrese de que las perillas de la manija superior estén completamente apretadas y que las palancas de la abrazadera de la manija estén completamente cerradas.
El soplador de nieve no arranca.	<ul style="list-style-type: none">• La batería está baja.• El botón de seguridad no está presionado.	<ul style="list-style-type: none">• Carga la batería.• Presione el botón de seguridad y luego apriete el gatillo de la barrena.
El motor está encendido pero la barrena no gira.	La correa de transmisión está gastada o rota.	Reemplace la correa de transmisión.

Nota: por favor llame al servicio post-venta para otros problemas.

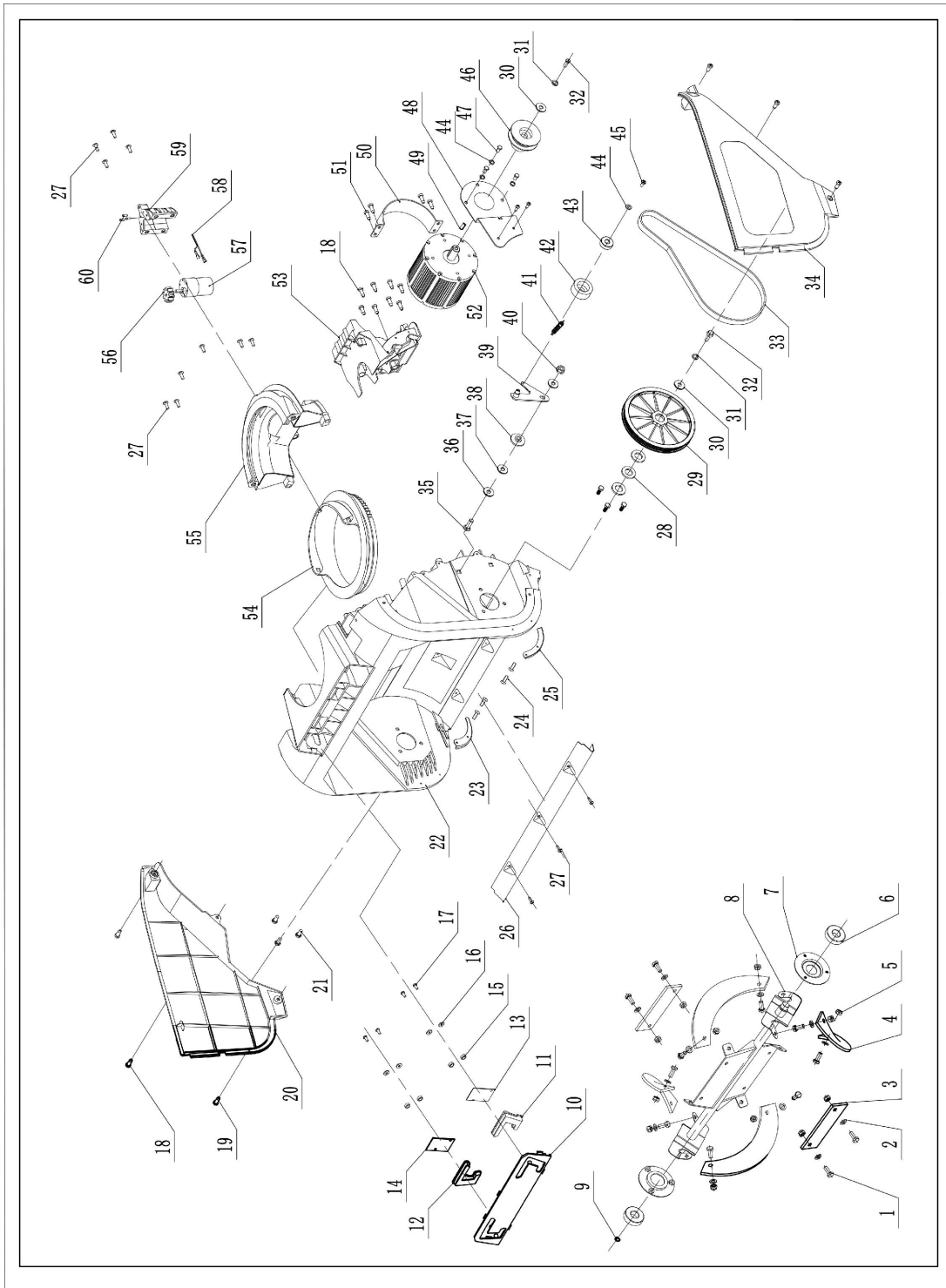
VISTA DE DESPIECE Y LISTA DE PIEZAS MONTAJE DE RAMPA & PANEL



ITEM	SKU	DESCRIPCIÓN	QTY
1	303030066	tuerca normal M8	2
2	203020336A	pomo	2
3	303042023	arandela plana $\Phi 8 \times \Phi 18 \times 2$	2
4	203020380	almohadilla dental	2
5	303020161	perno M8x25	2
6	203050174	vertedero superior	1
7	303030077	tuerca de seguridad M8	3
8	303020166	perno M8x18	2
9	203050175	vertedero central	1
10	303020498	perno de brida hexagonal M8x18	1
11	303123030	pasador cilíndrico elástico $\Phi 5 \times 35$	2
12	203021348	llave rápida	2
13	303160812	tornillo de llave M8X8,5	2
14	303160944	diente cóncavo giratorio	2
15	303020490	tornillo de brida hexagonal M6x25mm	4
16	306010057	hebilla	1

ITEM	SKU	DESCRIPCIÓN	QTY
17	303030130	tuerca de brida M6	4
18	303071452	mango superior	2
19	303200138	línea de conexión de la señal de control	1
20	203020047	abrazadera de cable	1
21	303010281	tornillo	15
22	203050528	tapa del panel inferior	1
23	301013044	placa de PC	1
24	303010237	tornillo ST4.2x10	2
25	203050527	cubierta del panel superior	1
26	203021346	interruptor de activación	2
27	301100057	Interruptor de entrada	2
28	203021366	pomo del interruptor	1
29	303130363	resorte del gatillo	1
30	301100056	botón del interruptor	1
31	202460014	batería DB2108	1
32	202470009	cargador DB2208	1

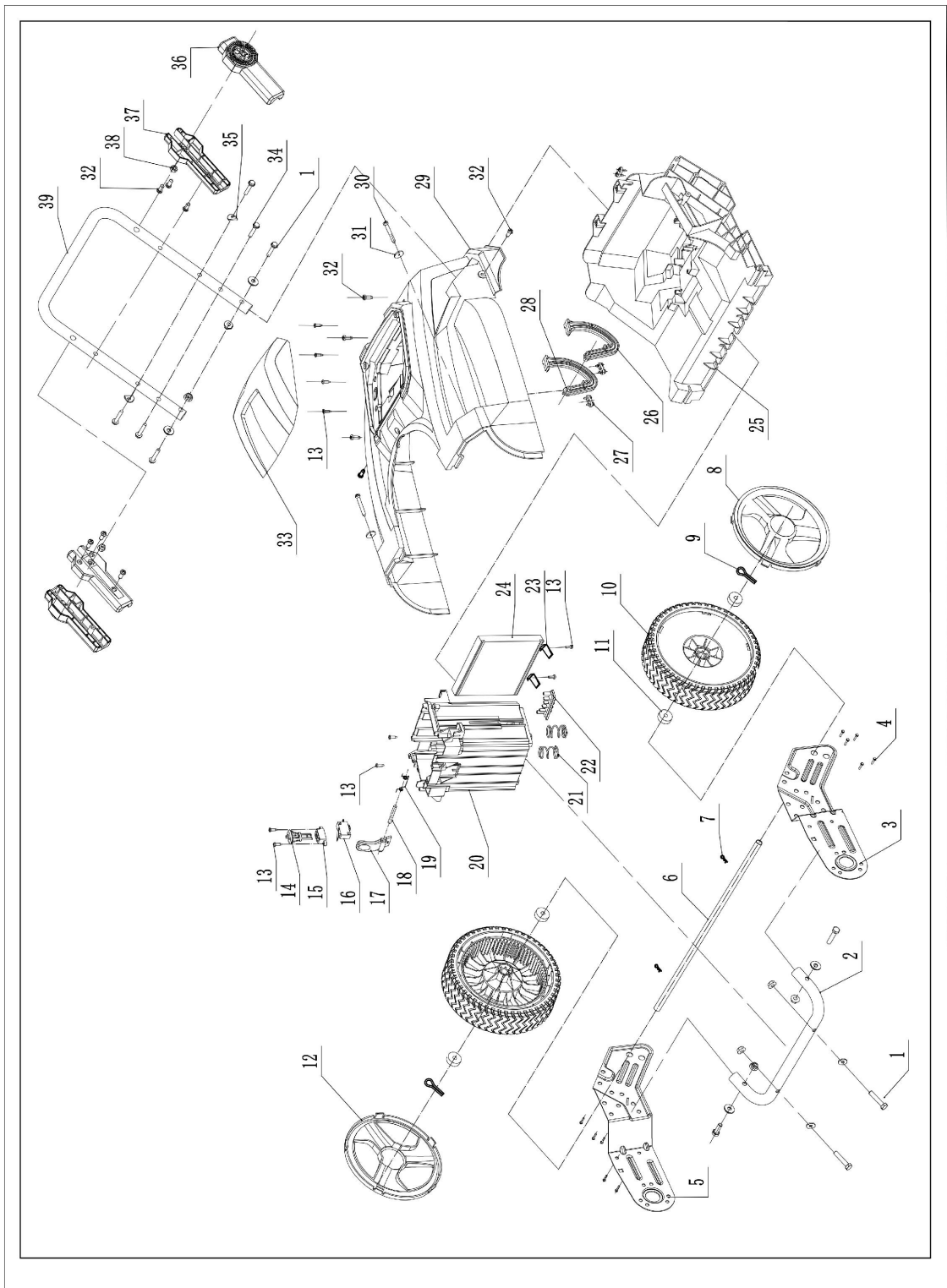
MONTAJE DE CARCASA DE BARRENA



ITEM	SKU	DESCRIPCIÓN	QTY
1	303020106	tornillo hexagonal M8x20	12
2	303042013	llave plana $\Phi 8 \times \Phi 22 \times 2$	12
3	302110091	rascador corto	2
4	302110092	rascador largo	4
5	303030036	tuerca de seguridad M8	12
6	303100034	rodamiento de bolas de ranura profunda	2
7	303070797	placa de presión del cojinete soldada	2
8	303181282	eje del sinfín soldado	1
9	303050066	anillo del eje $\Phi 17$	1
10	203010936	placa LOGO	1
11	203010891	cubierta de luz L	1
12	203010890	cubierta de luz R	1
13	301013048A	placa de luz L	1
14	301013049A	placa de luz R	1
15	303160513	espaciador	4
16	303042019	tornillo plano $\Phi 4 \times \Phi 12 \times 1$	4
17	303010237	tornillo ST4.2x10	4
18	303010176	tornillo ST6.3x16	12
19	303010383	tornillo ST4.8x10	2
20	203010932	tapa lateral R	1
21	303020339	tornillo hexagonal M6x14	6
22	203050170A	base	1
23	303070739	esquina derecha	1
24	303010284	tornillo ST4.8x12	4
25	303070738	esquina izquierda	1
26	303070741A	pala	1
27	303010108	tornillo ST4.8x16	13
28	303042018	pala plana $\Phi 18 \times \Phi 24 \times 2$	3
29	203010646	polea	1
30	303042009	arandela plana $\Phi 6 \times \Phi 22 \times 2$	2

ITEM	SKU	DESCRIPCIÓN	QTY
31	303041009	arandela de presión	5
32	303020282	tornillo hexagonal M6x16	2
33	302040083	correa 3PK750	1
34	203010931	cubierta lateral L	1
35	303020265	perno hexagonal M8x30	1
36	303042013	arandela plana $\Phi 8 \times \Phi 22 \times 2$	1
37	303042005	tornillo plano $\Phi 8 \times \Phi 28 \times 3$	1
38	303160192A	separador de la placa de tensión pequeña	1
39	303181317A	placa de tensión soldada	1
40	303030077	tuerca de seguridad M8	7
41	303160867	muelle de la placa de tensión	1
42	203020077	polea de tensión	1
43	303100016	rodamiento de bolas de ranura profunda	1
44	303042035	tornillo plano $\Phi 5 \times \Phi 16 \times 2$	1
45	303020640	perno M5x12	1
46	303060145A	rueda de la correa	1
47	303020468	perno hexagonal M6x10mm	3
48	303071455A	placa de soporte del motor	1
49	303110039	llave plana 4.7x35	1
50	303181251	aro del motor de nieve	1
51	303020625	tornillo hexagonal ST6.3x30	4
52	301030088	motor sin escobillas	1
53	203050567	soporte del motor	1
54	203010935	disco giratorio	1
55	203050171	parte de la base	1
56	303160871	mecanismo de dirección del vertedero	1
57	301030090	motor de dirección del vertedero	1
58	303200137	cable de conexión	1
59	203050568	prensaestopas del motor de dirección	1
60	303020642	perno M3x8	3

MONTAJE DE MARCO



ITEM	SKU	DESCRIPCIÓN	QTY
1	303020124	tornillo hexagonal M8x35	6
2	303081268	tubo superior 2	1
3	303071523	placa de soporte izquierda	1
4	303010353	tornillo ST6.3x16	10
5	303071480	placa de soporte derecha	1
6	303181283A	eje	1
7	303160845	pasador de mariposa	2
8	203021362	cubierta de la rueda L	1
9	303121002	pasador de chaveta $\Phi 1.6 \times 18$	2
10	203050544	8" rueda	2
11	303100065	cojinete de la rueda	4
12	203021363	cubierta de la rueda R	1
13	303010095	tornillo ST4.2x14	10
14	203021264	llave de seguridad	1
15	203010783	tapa del interruptor superior	1
16	301100055	interruptor	1
17	203050555	botón de autobloqueo de la batería	1
18	303123035	pasador cilíndrico	1
19	303130360	Hebilla del paquete de baterías muelle de torsión	1
20	203050554	soporte del portapilas	1

ITEM	SKU	DESCRIPCIÓN	QTY
21	303130122	resorte del paquete de baterías	2
22	203010859	soporte de inserción del cargador	1
23	303071495	placa del controlador	2
24	303240649	controlador	1
25	203050935	tapa inferior	1
26	203010878	soporte izquierdo	1
27	203020047	abrazadera del cable	3
28	203010882	soporte derecho	1
29	203010934	cubierta superior	1
30	303010385	tornillo ST6.3x55	2
31	303042043	arandela plana $\Phi 6 \times \Phi 12 \times 1,5$	2
32	303010176	tornillo ST6.3x16	1
33	203010933	Caja superior de la batería	1
34	303010374	tornillo ST6.3x35	4
35	303043010	almohadilla cóncava	2
36	203021349	diente cóncavo giratorio	2
37	203050536	tapa del diente cóncavo giratorio	2
38	303030066	tuerca hexagonal normal	2
39	303081269	tubo inferior 1	1

GARANTÍA LIMITADA DE DOS (2) AÑOS

PowerSmart se compromete a construir equipos que brinden años de servicio confiable. Nuestras garantías son consistentes con nuestro compromiso y dedicación a la calidad.

GARANTÍA LIMITADA DE DOS (2) AÑOS DE PRODUCTOS POWERSMART PARA USO DOMÉSTICO.

PowerSmart ("Vendedor") garantiza al comprador original únicamente que todas las herramientas eléctricas de consumo PowerSmart estarán libres de defectos de material o mano de obra durante un período de dos (2) años a partir de la fecha de compra. Si se utilizan las herramientas mientras se brindan servicios profesionales o comerciales, la cobertura de la garantía será por un máximo de (90) días.

LA ÚNICA OBLIGACIÓN DEL VENDEDOR Y SU RECURSO EXCLUSIVO en virtud de esta Garantía limitada de dos (2) años y, en la medida en que lo permita la ley, cualquier garantía o condición implícita por ley, será la reparación o reemplazo de piezas, sin cargo, que tengan defectos de material o mano de obra y que no hayan sido mal utilizados, manipulados descuidadamente o reparados incorrectamente por personas que no sean un vendedor autorizado o un centro de servicio.

Tenga en cuenta que las piezas de desgaste normal no están cubiertas por esta garantía. Esto incluye correas de transmisión, cuchillas y bolsas para césped. Los problemas con el carburador y/u otros daños que se encuentren como resultado de combustible obsoleto, contaminado o en peligro no están cubiertos por esta garantía limitada.

Para realizar una reclamación en virtud de esta Garantía limitada, debe devolver la herramienta eléctrica completa; transporte prepago, a PowerSmart. El propietario debe incluir una copia legible del recibo original, que deberá incluir la fecha de compra, junto con el nombre de la empresa donde se compró el producto.

ESTA GARANTÍA LIMITADA NO SE APLICA A NINGÚN ACCESORIO INCLUIDO CON LA HERRAMIENTA, COMO CUCHILLAS PARA SIERRA CIRCULAR, OTROS ARTÍCULOS RELACIONADOS O A CUALQUIER PIEZA DE REPUESTO QUE SE LISTEN BAJO MANTENIMIENTO.

CUALQUIER GARANTÍA IMPLÍCITA SERÁ LIMITADA EN DURACIÓN A DOS (2) AÑOS A PARTIR DE LA FECHA DE COMPRA. ALGUNOS ESTADOS DE EE. UU. Y ALGUNAS PROVINCIAS CANADIENSES NO PERMITEN LIMITACIONES SOBRE LA DURACIÓN DE UNA GARANTÍA IMPLÍCITA, POR LO QUE ES POSIBLE QUE LA LIMITACIÓN ANTERIOR NO SE APLIQUE EN SU CASO.

EN NINGÚN CASO EL VENDEDOR SERÁ RESPONSABLE DE NINGÚN DAÑO INCIDENTAL O CONSECUENTE (INCLUYENDO PERO NO LIMITADO A LA RESPONSABILIDAD POR PÉRDIDA DE BENEFICIOS) QUE SURJAN DE LA VENTA O USO DE ESTE PRODUCTO. ALGUNOS ESTADOS DE EE. UU. Y ALGUNAS PROVINCIAS CANADIENSES NO PERMITEN LA EXCLUSIÓN O LIMITACIÓN DE DAÑOS INCIDENTALES O CONSECUENTES, POR LO QUE LA LIMITACIÓN O EXCLUSIÓN ANTERIOR PUEDE NO APLICARSE EN SU CASO.

ESTA GARANTÍA LIMITADA LE OTORGA DERECHOS LEGALES ESPECÍFICOS Y TAMBIÉN PUEDE TENER OTROS DERECHOS QUE VARÍAN DE ESTADO A ESTADO EN LOS EE. UU., DE PROVINCIA A PROVINCIA EN CANADÁ Y DE PAÍS A PAÍS.

Llame sin cargo al: 1-800-791-9458 (de lunes a viernes de 9am – 5pm EST) E-mail: support@amerisuninc.com
POR FAVOR GUARDE TODOS SUS RECIBOS ORIGINALES. ESTA GARANTÍA SE ANULA SIN ELLOS

