

# POWERSMART<sup>®</sup>

## INSTRUCTION MANUAL

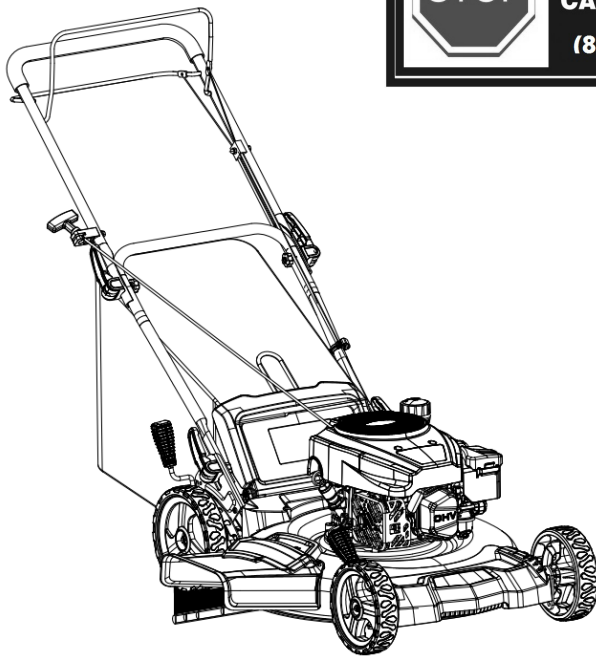
EN 21" 3-IN-1 GAS SELF PROPELLED LAWN MOWER

FR 21 POUCES 3-IN-1 TONDEUSE AUTOPROPULSEE DE GAZ

ES 21" 3-EN-1 CORTADORA DE CÉSPED AUTOPRO PULSADO

A GASOLIN

Model # DB2321SR



Have product questions or need technical support? Please feel free to contact us!

Website: [www.powersmartusa.com](http://www.powersmartusa.com)

Toll free: 1-800-791-9458, 1-888-293-0024 (Mon-Fri 9-5 EST)

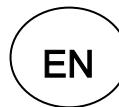
Email: [support@amerisuninc.com](mailto:support@amerisuninc.com)  
[support@powersmartusa.com](mailto:support@powersmartusa.com)



Website



# **CONTENTS**



|                                    |    |
|------------------------------------|----|
| Technical data.....                | 3  |
| Introduction.....                  | 4  |
| Safety information.....            | 4  |
| General safety procedures .....    | 5  |
| Important safety instructions..... | 6  |
| Warning label instructions.....    | 8  |
| Knowing your lawn mower.....       | 10 |
| Lawn mower preparation.....        | 11 |
| Operation.....                     | 13 |
| Maintenance.....                   | 16 |
| Storage.....                       | 19 |
| Troubleshooting.....               | 19 |
| Exploded view & parts list.....    | 20 |
| Warranty.....                      | 25 |

# **TECHNICAL DATA**

## 21" 3-in-1 Gas Self Propelled Lawn Mower Model # DB2321SR

|                                 |   |
|---------------------------------|---|
| Engine type:                    | 4 Stroke, OHV, single cylinder with forced air-cooling system |
| Displacement:                   | 170cc   |
| Fuel tank capacity:             | 0.21 Gallon   |
| Oil capacity:                   | 16.9 fl.oz  |
| Cutting width:                  | 20.5 inch   |
| Cutting height:                 | 1.5 – 3.9 inch  |
| Height adjustment:              | 6 Position  |
| Drive type:                     | Self Propelled  |
| Grass catcher capacity:         | 1.4 Bushels   |
| Wheel:                          | Front: 7 inch / Rear: 8 inch                                  |
| Package dimensions (L x W x H): | 33.3 x 22.6 x 16 inches                                       |
| Weight:                         | 66.3 lb.  |

## **INTRODUCTION**

Thank You for Purchasing a PowerSmart® Product. This manual provides information regarding the safe operation and maintenance of this product. Every effort has been made to ensure the accuracy of the information in this manual. PowerSmart® reserves the right to change this product and specifications at any time without prior notice.

Please keep this manual available to all users during the entire life of the lawn mower.



This manual contains special messages to bring attention to potential safety concerns, lawn mower damage as well as helpful operating and servicing information. Please read all the information carefully to avoid injury and machine damage.

## **QUESTIONS? PROBLEMS?**

Please contact our Customer Service Dept. with any questions and/or comments, either by Email: support@amerisuninc.com, or Toll Free at (800) 791-9458. We are available Mon-Fri 9am-5pm EST to help solve any issues that you might encounter.

## **NOTICE REGARDING EMISSIONS**

Engines that are certified to comply with U.S. EPA emission regulations for SORE (Small Off Road Equipment), are certified to operate on regular unleaded gasoline, and may include the following emission control systems: (EM) Engine Modifications and (TWC) Three-Way Catalyst (if so equipped).

## **SAFETY INFORMATION**

Before operating this lawn mower, read and observe all warnings, cautions, and instructions on the lawn mower and in this Owner's Manual.

NOTE: The following safety information is not meant to cover all possible conditions and situations that may occur. Read the entire Owner's Manual for safety and operating instructions. Failure to follow instructions and safety information could result in serious injury or death.

This safety alert symbol is used to identify safety information about hazards that can result in personal injury.



A signal word (DANGER, WARNING, or CAUTION) is used with the alert symbol to indicate the likelihood and the potential severity of injury. In addition, a hazard symbol may be used to represent the type of hazard.

**DANGER** indicates a hazard, which, if not avoided, will result in death or serious injury.

**WARNING** indicates a hazard, which, if not avoided, could result in death or serious injury.

**CAUTION** indicates a hazard, which, if not avoided, might result in minor or moderate injury.

**CAUTION** when used without the alert symbol, indicates a situation that could result in damage to the engine.

## **GENERAL SAFETY PROCEDURES**

For any questions regarding the hazard and safety notices listed in this manual or on the product, please call (800) 791-9458 Mon-Fri 9-5 EST before using the engine.



### **DANGER: CARBON MONOXIDE**

Using an engine indoors **CAN KILL YOU IN MINUTES**. Engine exhaust contains carbon monoxide (CO). This is a poison gas you cannot see or smell. If you can smell the engine exhaust, you are breathing CO. But even if you cannot smell the exhaust, you could be breathing CO.

**NEVER** use an engine inside homes, garages, crawlspaces, or other partly enclosed areas. Deadly levels of carbon monoxide can build up in these areas. Using a fan, or opening windows and/or doors will **NOT** properly vent CO nor supply adequate fresh air. **ONLY** use an engine outside and far away from windows, doors, and vents. These openings can pull in engine exhaust.

Even if you use an engine correctly, CO may leak into the home. **ALWAYS** use a battery-powered or battery-backup CO alarm in the home. If you start to feel sick, dizzy, or weak after the engine has been running, move to fresh air **RIGHT AWAY**. See a doctor. You may have carbon monoxide poisoning.

**WARNING:** The exhaust from this product contains chemicals known to the State of California to cause cancer, birth defects, or other reproductive harm.

**WARNING:** This engine may emit highly flammable and explosive gasoline vapors, which can cause severe burns or even death if ignited. A nearby open flame can lead to explosion even if it isn't directly in contact with gasoline.

- Do not operate near an open flame.
- Do not smoke near the engine.
- Always operate on a firm, level surface.
- Always turn engine off before refueling. Allow engine to cool for at least 2 minutes before removing fuel cap. Loosen cap slowly to relieve pressure in tank.
- Do not overfill fuel tank. Gasoline may expand during operation. Do not fill to the top of the tank. Allow for expansion.
- Always check for spilled fuel before operating.
- Empty fuel tank and carburetor bowl before storing or transporting the engine.

**WARNING:** This engine produces heat when running. Temperatures near exhaust can exceed 150<sup>0</sup>F (65<sup>0</sup> C).

Do not touch hot surfaces. Pay attention to warning labels on the engine identifying hot parts of the machine. Allow engine to cool down after use before touching engine or areas of the engine that become hot during use.

**CAUTION:** Misuse of this engine can damage it or shorten its life. Only use engine for its intended purposes.

# **IMPORTANT SAFETY INSTRUCTIONS**

This machine is capable of amputating hands and feet and throwing objects. Failure to observe the following safety instructions could result in serious injury or death.

## **I. General Operation**

1. Read, understand, and follow instructions and warnings in this manual and on the machine, engine and attachments.
2. Only allow operators, who are responsible, trained, familiar with the instructions, and physically capable to operate the machine.
3. Do not carry passengers and keep bystanders away.
4. Do not operate the machine while under the influence of alcohol or drugs.
5. Follow the manufacturer's recommendation for wheel weights or counterweights.

## **II. PREPARATION BEFORE OPERATING**

1. Clear the operating area of any objects which could be thrown by or interfere with operation of the machine
2. Keep the area of operation clear of all bystanders, particularly small children. Stop the machine and attachment(s) if anyone enters the area.
3. Do not operate the machine without the entire grass catcher, discharge chute, or other safety devices in place and functioning properly. Check frequently for signs of wear or deterioration and replace as needed.
4. Wear appropriate personal protective equipment such as safety glasses, hearing protection, and footwear.

## **III. OPERATING**

1. Only operate the engine in well ventilated areas. Exhaust gases contain carbon monoxide, a deadly poison.
2. Only operate the machine in daylight or good artificial light.
3. Avoid holes, ruts, bumps, rocks, or other hidden hazards. Uneven terrain could overturn the machine, or cause operator to lose their balance or footing.
4. Do not put hands or feet near rotating parts or under the machine. Keep clear of the discharge opening at all times.
5. Do not direct discharge material toward anyone. Avoid discharging material against a wall or obstruction. Material may ricochet back toward the operator. Stop the blade(s) when crossing gravel surfaces.
6. Do not leave a running machine unattended. Always park on level ground, disengage the attachment, set parking brake, and stop engine.
7. Do not mow in reverse unless absolutely necessary. Always look down and behind before and while backing.

## **IV. CHILDREN SPECIFIC**

1. Tragic accidents can occur if the operator is not alert to the presence of children. Children are often attracted to the machine and the mowing activity. Never assume that children will remain where you last saw them.
2. Keep children out of the operating area and under the watchful care of a responsible adult other than the operator.

## **V. SLOPE SPECIFIC**

**Slopes are a major factor related to accidents. Operation on slopes requires extra caution.**

1. Travel in the manufacturer recommended direction on slopes. Use caution while operating near drop offs.
2. Avoid mowing wet grass. (Poor footing could cause a slip and fall accident.)
3. Do not operate machine under any condition where traction, steering, or stability is in question. Tires could slide even if the wheels are stopped.

4. Always keep the machine in gear when going down slopes. Do not coast downhill.
5. Avoid starting and stopping on slopes. Avoid making sudden changes in speed or direction. Make turns slowly and gradually.
6. Use extra care while operating machine with a grass catcher or other attachment(s). They can affect the stability of the machine.

## **VI. FIRE AND FUEL SPECIFIC**

1. Extinguish all cigarettes, cigars, pipes and other sources of ignition.
2. Use only an approved fuel container.
3. Do not remove fuel cap or add fuel with the engine running or while hot.
4. Do not refuel indoors or in enclosed spaces
5. Do not store the machine or fuel container, or refuel, where there is an open flame, spark, or pilot light such as on a water heater or other appliance.
6. If fuel is spilled, do not attempt to start the engine and avoid creating any source of ignition until fuel vapors have dissipated.
7. To help prevent fires: keep machine free of grass, leaves, or other debris build up; clean up oil or fuel spillage and remove any fuel soaked debris; allow machine to cool before storing.
8. Use extra care in handling gasoline and other fuels. They are flammable and vapors are explosive.

## **VII. HAULING**

1. Use full width ramps for loading and unloading a machine for transport.

## **VIII. SERVICE**

1. Keep machine in good working order. Replace worn or damaged parts.
2. Use caution when servicing blades. Wrap the blade(s) or wear gloves. Replace damaged blades. Do not repair or alter blade(s)
3. Machines with hydraulic pumps, hoses, or motors; and/or diesel injection systems:  
WARNING: Fluid escaping under pressure may have sufficient force to penetrate skin and cause serious injury. If fluid is injected into the skin, seek immediate medical attention. Keep body and hands away from pin holes or nozzles that eject fluid under high pressure. If a leak occurs, have the machine immediately serviced by a trained technician.
4. If equipped, disconnect spark plug wire(s) before making any repairs.

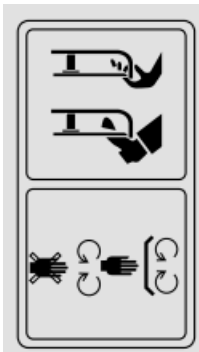
## WARNING LABEL INSTRUCTIONS



Read carefully the manual before use.



Danger-flying objects;  
keep safe distance from the machine as long as the engine is running.



Pay more attention to the operator's hands and feet to avoid injury



Fuel is flammable,keep fire away.

Never fill up the fuel tank while the engine is running.



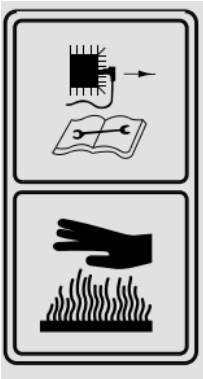
Emission of toxic gas, do not use the mower in a close area or not well ventilated.





Look behind while backing

Steep slope hazard



When repairing, please pull off the spark plug boot, then repair it according to the operational manual

Hot surfaces



When mowing, please wear the glasses and ear plugs to defend the operator himself

Keep bystanders away.

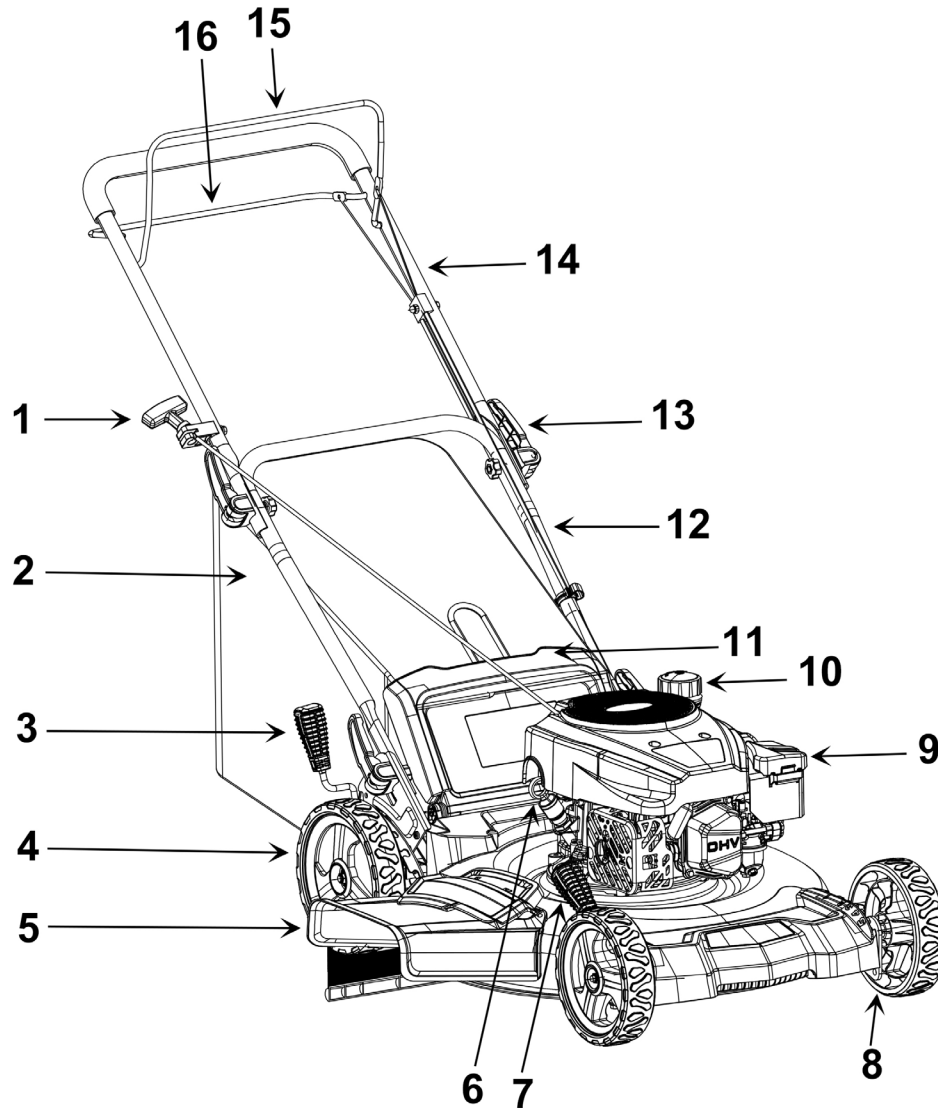


Safety label found on the lawn mower:  
KEEP HANDS AND FEET AWAY.

**Warning:** Keep the safety signs clear and visible on the equipment. Replace the safety signs if they are missing or illegible.

# KNOWING YOUR LAWN MOWER

Please use the illustration below to familiarize yourself with the location and function of the components that control of your lawn mower.



- |   |                                 |    |                           |
|---|---------------------------------|----|---------------------------|
| 1 | Recoil starter handle           | 9  | Primer bulb               |
| 2 | Grass catcher                   | 10 | Fuel tank cap             |
| 3 | Cutting height adjustment lever | 11 | Rear discharge door       |
| 4 | Rear wheel                      | 12 | Lower tube                |
| 5 | Side discharge chute            | 13 | Foldable handle           |
| 6 | Oil dipstick                    | 14 | Upper tube                |
| 7 | Cutting height adjustment lever | 15 | Engine start/stop control |
| 8 | Front wheel                     | 16 | Drive control bar         |

# **LAWN MOWER PREPARATION**

The following section describes steps necessary to prepare the lawn mower for use. If after reading this section, you are unsure about how to perform any of the steps please call (800) 791-9458 Mon-Fri 9-5 EST for customer service. Failure to perform these steps properly can damage the lawn mower or shorten its lifespan.

## **UNPACKING**

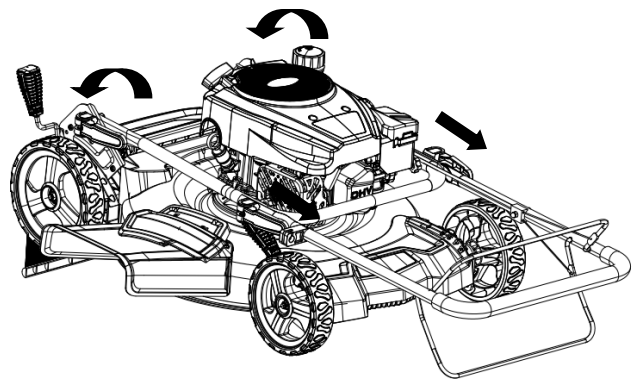
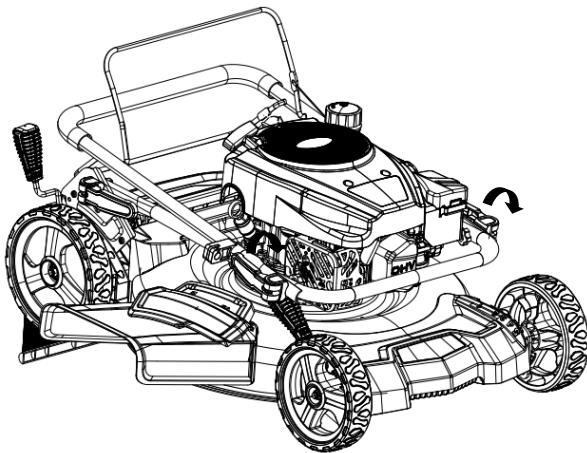
Unpack the lawn mower and all its parts, and compare against the list below. Do not discard the carton or any packaging until the engine is completely assembled.

## **PACKING LIST**

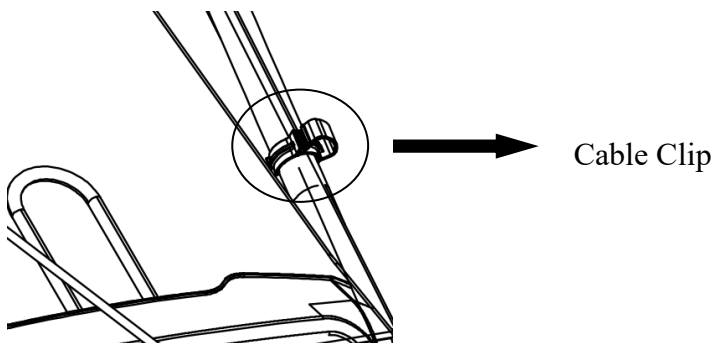
- Side discharge chute\*1
- Grass Catcher\*1
- Cable clip\*1
- Spark plug wrench\*1
- User manual\*1
- Funnel\*1
- 10W-30 oil\*1

## **ASSEMBLE LOWER & UPPER TUBE**

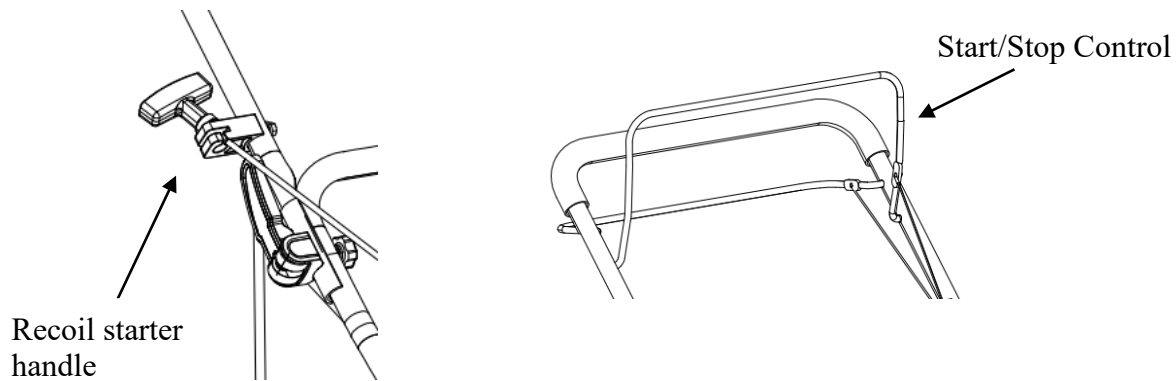
1. Take out the folded mower from the outer box.
2. Lock the foldable handle between the upper tube and lower tube, as well as the lower tube and rear seat.



3. Lock the cable to the lower tube using cable clip.



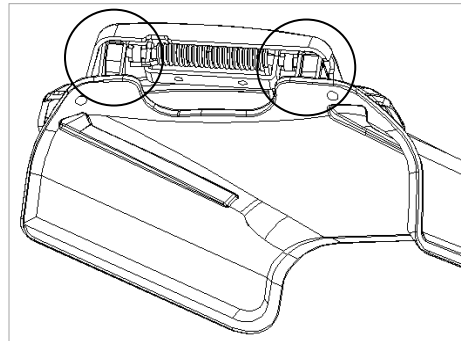
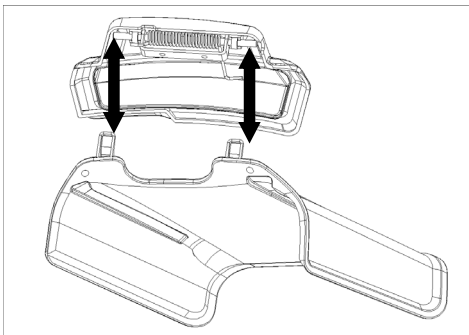
4. Insert the recoil starter handle cable into the hook provided on the upper handle. You must engage the start/stop control to release the recoil starter handle.



### SIDE DISCHARGE CHUTE

To convert mower for side discharge, the grass catcher has been removed and that the rear discharge door is closed.

1. Lift the spring-loaded discharge cover located on the side of the mower.
2. Slide two hooks of the side discharge chute under the hinge pin and lower the spring on the side discharge cover.



**Caution:** Do not attempt to remove the permanently mounted spring loaded side discharge cover at any time.

### GRASS CATCHER

#### Attach grass catcher

1. Lift mower rear discharge door.
2. Place grass catcher into the slots in the handle brackets.
3. Release the rear discharge door so that it rests on the grass catcher.

### ADJUSTING THE CUTTING HEIGHT



**Warning!** Cutting height adjustments should only be performed after the engine and blades have come to a complete stop!

It is always best to begin cutting your lawn with a higher deck height to prevent scalping your lawn.

The cutting height is adjusted with front and rear levers.

Actuate the adjustment lever and pull it to the required position. Please make sure that the lever locks into same position.

## **OPERATION**

### **GAS AND OIL FILL-UP**

The engine comes shipped without oil or gasoline. Be sure to add oil and gasoline before starting the engine.

1. Add oil before starting mower for the first time.
2. Service the engine with gasoline as instructed.



**Warning:** Use extreme care when handling gasoline. Gasoline is extremely flammable and its vapors are explosive. Never fuel the machine indoors or while the engine is hot or running. Extinguish all cigarettes, cigars, pipes and other potential sources of ignition.

### **Engine Oil**

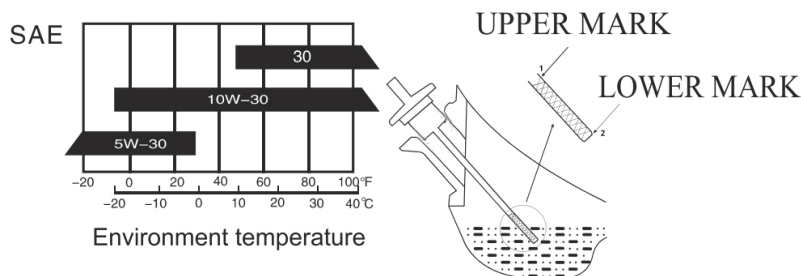
Engine oil is a key factor in deciding the engines performance. Do not apply engine oil with additives or 2-stroke gasoline engine oil, because they haven't enough lubrication, and may shorten the engines service life.



**Check the engine with it stopped on a level ground.**

Engine oil recommended: 10W-30

As viscosity varies with regions and temperatures, SF class oil is recommended.



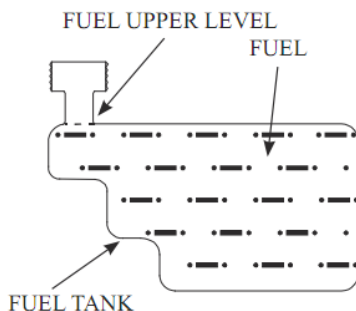
### **Check method**

1. Remove the dipstick and Clean it.
2. Reinsert the dipstick into the oil filling hole, and insert it to the end.
3. Check the oil level: If the oil level is too low, add the recommended engine oil and make sure the oil level between upper level(1) and lower level(2).
4. Re-install the dipstick.

### **Adding Gasoline**

Remove the fuel tank cap and check fuel level.

If the level is too low, refuel the tank, remember adding fuel not over the fuel upper level.





### Warning:

1. Gasoline is extremely flammable and is explosive under certain conditions.
2. Refueling in a well-ventilation area with the engine stopped. Do not smoke and allow flames or sparks in the area where gasoline is stored or where the fuel tank is refueled.
3. Do not overfill the fuel tank (there should be no fuel in the filling neck). After refueling, make sure the fuel tank cap is set back securely.
4. Be careful not to spill fuel when refueling. Spilled fuel or fuel vapor may ignite. If any fuel is spilled, make sure the area is dry before starting the engine.
5. Avoid repeated or prolonged contact with skin or breathing of fuel vapor. Keep out of reach of children.

Use fresh (within 30 days from purchase), lead-free gasoline with a minimum of 87 octane rating. Do not mix oil with gasoline.

To add gasoline, follow these steps:

1. Make sure the lawn mower is on a level surface.
2. Unscrew fuel tank cap and set aside. NOTE: The fuel cap may be tight and hard to unscrew.
3. Slowly add unleaded gasoline to the fuel tank. Be careful not to overfill. The capacity of the fuel tank is 0.21 gallons.

**NOTE:** Do not fill the fuel tank to the very top. Gasoline will expand and spill over during use even with the fuel cap in place.

4. Reinstall fuel cap and wipe clean any spilled gasoline with a dry cloth.

### IMPORTANT:

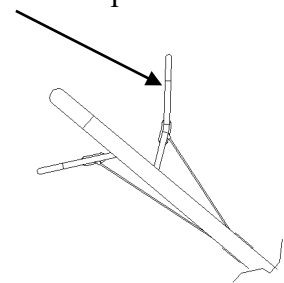
- Never use an oil/gasoline mixture.
- Never use old gasoline.
- Avoid getting dirt or water into the fuel tank.
- Gasoline can age in the tank and make starting difficult. Never store lawn mower for extended periods of time with fuel in the tank or the carburetor.

### ENGINE START/STOP CONTROL

This lawn mower comes equipped with an engine start/stop control to prevent unintentional starting and to ensure safe operation. Releasing this lever will quickly stop the blade in case of danger. The lever must be actuated before the lawn mower is started. When the engine start/stop lever is released, it must return to its initial position.

Before you start mowing, you should run through this process several times in order to ensure that the lever and actuator cables are working properly. Repeat the test several times after the engine has started up. When the engine start/stop Control is released, the engine must stop within a few seconds. If not, contact Customer Service.

Engine start/stop Control



**Warning:** The blade begins to rotate as soon as the engine is started.

### START THE ENGINE

To start the engine, perform the following steps:

1. Check the oil and fuel levels.
2. Press the primer bulb 3 times.
3. Engage the engine Start/Stop Control and simultaneously pull on the recoil starter. Pull on the recoil starter handle slowly until a slight resistance is felt, then pull quickly to start the engine.

Return cord gently into the recoil starter. Never allow the cord to snap back.

4. If engine fails to start, repeat step 3.

**NOTE:** After repeated failed attempts to start the engine, please consult the troubleshooting guide before attempting again. If problems persist, please call customer service.

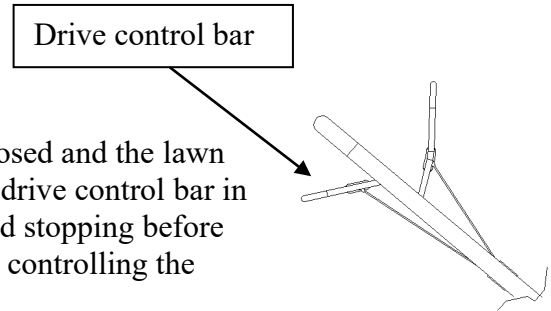
**NOTE:** Don't allow the starter grip to snap back against the engine. Return it gently to prevent damage to the starter.

## **STOP THE ENGINE**

Release the engine start/stop control to stop the engine.

## **DRIVE CONTROL BAR**

If you press drive control bar the clutch for the drive will be closed and the lawn mower will start to move with the engine running. Release the drive control bar in good time to stop the moving lawn mower. Practice starting and stopping before you use the mower for the first time until you are familiar with controlling the mower.



## **MOWING**

The engine throttle on your mower has been preset to provide optimum bagging and mulching performance for years to come.

Only use a sharp blade that is in good condition. This will prevent the grass blades from becoming frayed and the lawn from turning yellow.

Mow in straight lines for a nice, clean look. The swaths should overlap each other by a few inches in order to avoid stripes.

It's important to keep the underside of the mower deck clean and remove grass build-up. This buildup will decrease mulching quality, and make it harder for the equipment to bag the grass.

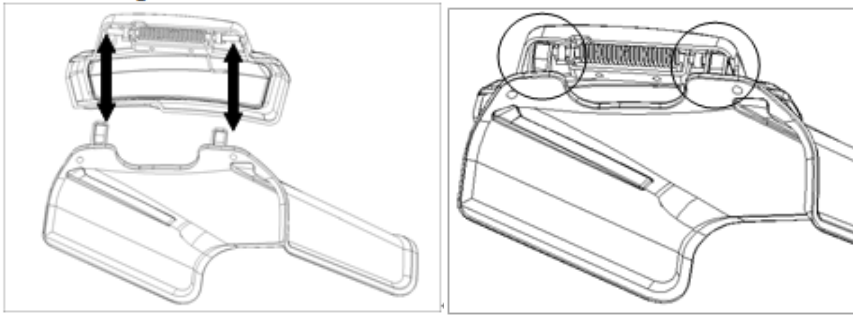
Always mow along inclines (not up and down). You can prevent the lawn mower from slipping down by holding a position at an angle upwards. Select the cutting height according to the length of the grass. If necessary, mow a number of times so that you never cut more than 2 inches of grass in one go.

Turn off the engine before doing any checks on the blade. Keep in mind that the blade continues to rotate for a few seconds after the engine has been turned off. Never attempt to manually stop the blade. Regularly check to see if the blade is securely attached, is in good condition and is sharp. If the contrary is the case, sharpen the blade or replace it. In the event that the blade strikes an object, immediately turn off the lawn mower and wait for the blade to come to a complete stop. Then inspect the condition of the blade and the blade mount. Replace any parts that are damaged.

## **USING AS SIDE DISCHARGE**

You should close the rear cover with mulching adapter in order to use the side discharge.

1. On the side of the mower, lift the side discharge cover.
2. Slide two hooks of side discharge chute under hinge pin on the side discharge cover. Lower the side discharge cover.



**Caution:** Do not remove side discharge cover at any time.

### **USING AS A REAR BAGGER**

To use the grass catcher to collect clippings while you are operating the mower.

1. Attached grass catcher following instruction in the lawn mower preparation. Grass clippings will automatically collect in bag as you run the mower. Operate mower until grass catcher is full.
2. Stop engine completely by releasing the engine start/stop lever. Make sure that the engine has come to a complete stop.
3. Lift rear discharge door and pull grass catcher up and away from the mower to remove the grass catcher. Dispose of the grass clippings and reinstall the grass catcher when complete.



**Warning:** If you strike a foreign object, stop the engine. Remove spark plug wire, thoroughly inspect mower for any damage, and repair damage before restarting and operating. Excessive vibration of the mower during operation is an indication of damage. The mower should be promptly inspected and repaired.

### **MAINTENANCE**

Proper routine maintenance of this mower will help prolong the life of the machine.

Always observe safety rules when performing any maintenance.

The warranty on this lawn mower does not cover items that have been subjected to operator abuse or negligence.

To receive full value from warranty, operator must maintain the lawn mower as instructed here.

Changing of engine-governed speed will void engine warranty.

All adjustments should be checked at least once each season.

Periodically check all fasteners and make sure these are tight.



**Warning:** Always stop engine, allow engine to cool, disconnect spark plug wire before performing any type of maintenance on your machine.

### **DECK CARE**

It is important to clean underside of the mower deck after use to prevent the build-up of grass clippings or other debris. Follow steps below for proper cleaning.

1. Allow the engine to run until it is out of fuel. Do not attempt to pour fuel from the engine.
2. Disconnect spark plug wire.
3. Slowly tip mower so that it rests on the housing.
4. To prevent oil spills, always tip the mower so that the Air Filter is facing up.
5. Hold mower firmly and scrape and clean the underside of the deck with a suitable tool.
6. Gently lower the mower back on its wheels on the ground.

**Warning:** Never tip the mower more than 90° in any direction and do not leave the mower tipped for any length of time. Oil can drain into the upper part of the engine causing a starting problem.



## MOWER BLADE

To ensure safe operation, have all blade sharpening, balancing and mounting work carried out by an authorized service center. To achieve optimal results, we recommend having the blade checked once a year.

If, in spite of all caution, the blade comes into contact with an obstacle, switch off the engine immediately and pull off the spark plug connector. Tilt the lawn mower to the rear and check the blade for damage. Always keep the side with the air cleaner facing up. Damaged or bent blades must be replaced. Never straighten a bent blade. Never work with bent or heavily worn blades as this will result in vibrations, causing further damage to the mower.



**Warning:** Risk of injury when working with a damaged blade.

## CHECKING THE OIL

The oil capacity of the engine crankcase is 16.9 fl. oz.

Check the oil level of the engine according to the Recommended Maintenance Schedule.

The lawn mower should be checked before each use for proper oil level. This is a critical step for proper engine starting.

To check the oil level:

1. Remove the dipstick and clean it.
2. Reinsert the dipstick into the Oil filling hole without screwing it and check Oil level.
3. If the Oil level is too low, add the recommended engine oil up to the oil upper lever.
4. Reinstall oil dipstick.

## CHANGING/ADDING OIL

Change the oil according to the Recommended Maintenance Schedule. Change the oil when the engine is warm. This will allow for complete drainage. Change oil more often if operating under heavy load or high ambient temperatures. It is also necessary to drain the oil from the crankcase if it has become contaminated with water or dirt. The oil capacity of the engine is 16.9 fl.oz. Add oil when the oil level is low. For proper type and weight of oil refer to “GAS AND OIL FILL-UP” portion of the “OPERATION” section.

**To refill the crankcase with oil, follow these steps:**

1. Make sure the lawn mower is on a level surface. Tilting the lawn mower to assist in filling will cause oil to flow into engine areas and will cause damage. Keep lawn mower level!
2. Remove the dipstick from the engine.
3. Using a funnel or appropriate dispenser, add the correct amount of oil (16.9 fl.oz) into the crankcase.
4. Reinstall dipstick.

**NOTE:** Never dispose of used motor oil in the trash or down a drain. Please call a local recycling center or auto garage to arrange oil disposal.

## AIR CLEANER MAINTENANCE

Routine maintenance of the air cleaner helps maintain proper airflow to the carburetor. Occasionally check that the air cleaner is free of excessive dirt. Refer to Recommended Maintenance Schedule. For air cleaner detail:

1. Open the air cleaner cover.
2. Remove the sponge-like element from the casing.
3. Wipe the dirt from inside the empty air cleaner casing.
4. Wash the sponge-like element in household detergent and warm water. Small amount of oil in the element is normal and necessary for the engine to work properly.
5. If necessary, replace the paper element.
6. Reinstall the sponge-like element in the air cleaner casing and reinstall the cover.

**CAUTION:** running the engine with dirty, damaged or missing air cleaner element will cause the engine to wear out prematurely.

## SPARK PLUG MAINTENANCE

The spark plug is important for proper engine operation. A good spark plug should be intact, free of deposits, and properly gaped. Refer to Recommended Maintenance Schedule. To inspect the spark plug:

1. Remove spark plug boot. Be careful not to tear insulation or wire.
2. Unscrew the spark plug from the engine using the spark plug wrench provided. There is limited space for the wrench to turn. Use both rows of holes in the spark plug wrench to gain leverage to loosen the plug.
3. Visually inspect the spark plug for cracks or excessive electrode wear. Replace as necessary.
4. Measure the plug gap with a wire gauge. The gap should be 0.028-0.031 inch.
5. If re-using the spark plug, use a wire brush to clean any dirt from around the spark plug base then re-gap the spark plug.
6. Screw the spark plug back into the spark plug hole using the spark plug wrench. Do not over-tighten spark plug. Recommended tightening of spark plug is  $\frac{1}{2}$  to  $\frac{3}{4}$  of a turn after spark plug gasket contacts spark plug hole. Reinstall the spark plug boot.

## MAINTENANCE SCHEDULE

| Item                    | Action       | Before each use                              | 5 Hours of use or first month | First 25 hours of use | 50 hours of use or every 6 months | 100 hours of use or every year | 150 hours of use or every two years |
|-------------------------|--------------|--|-------------------------------|-----------------------|-----------------------------------|--------------------------------|-------------------------------------|
| Blade                   | Inspect      | x  |                               |                       |                                   |                                |                                     |
| Blade mounting bolt     | Inspect      | x  |                               |                       |                                   |                                |                                     |
| Engine oil              | Check        | x  |                               |                       |                                   |                                |                                     |
|                         | Change       |  | x                             |                       | x <sup>2</sup>                    | x                              | x                                   |
| Air filter              | Check        | x  |                               |                       |                                   |                                |                                     |
|                         | Clean        |  |                               | x <sup>1</sup>        | x <sup>1</sup>                    | x <sup>1</sup>                 |                                     |
|                         | Replace      |  |                               |                       |                                   |                                | x                                   |
| Grass bag               | Check        | x  |                               |                       |                                   |                                |                                     |
| Blade control operation | Check        | x  |                               |                       |                                   | x                              |                                     |
| Spark plug              | Check        |  |                               |                       |                                   | x                              |                                     |
|                         | Replace      |  |                               |                       |                                   |                                | x                                   |
| Fuel tank               | Clean        |  |                               |                       |                                   | x                              |                                     |
| Flywheel brake pad      | Check        |  |                               |                       |                                   | x                              |                                     |
| Valve clearance         | Check-adjust |  |                               |                       |                                   | x                              |                                     |
| Fuel line               | Check        | Check every 2 years and replace if necessary |                               |                       |                                   |                                |                                     |

1. Service more frequently when used in dusty areas.

2. Change engine oil every 25 hours when used under heavy load or in high outside air temperatures.

## **STORAGE**

**CAUTION:** Never place any type of storage cover or tarp on the MOWER while it is still hot.

If the MOWER is being stored for extended periods of time (30 days or more), drain fuel tank and carburetor bowl.

When storing the mower for extended periods of time:

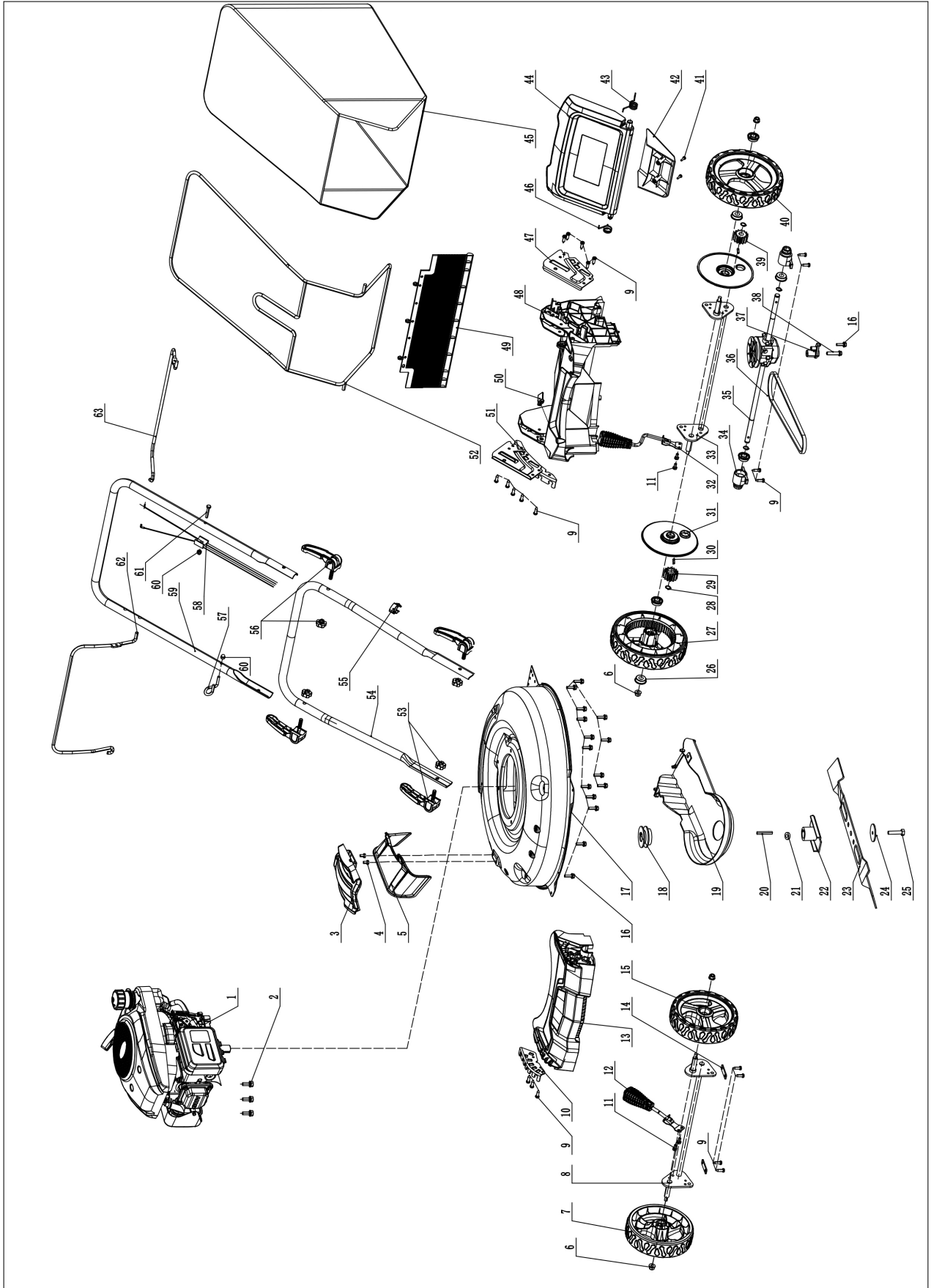
1. Start the engine and run it until the tank, carburetor bowl and fuel line are completely empty and the engine stalls.
2. Change the oil after each season.
3. Remove the spark plug. Use an oil-can to fill the cylinder with approx. 2 ml of oil. Slowly pull back the starter handle, which will bathe the cylinder wall with oil. Screw the spark plug back in.
4. Clean the cooling fins of the cylinder and the housing.
5. Be sure to clean the entire equipment to protect the paint.
6. Store the equipment in a well-ventilated place.

**NOTE: LIMITED WARRANTY does not cover fuel system damage or engine performance problems resulting from neglected storage preparation.**

## **TROUBLESHOOTING**

| <b>Problem</b>              | <b>Cause</b>                                | <b>Solution</b>  |
|-----------------------------|---|--|
| Engine fails to start       | Engine start/stop lever disengaged.         | Engage engine start/stop lever.  |
|                             | Spark plug wire disconnected.               | Connect spark plug wire.   |
|                             | Fuel tank empty or stale fuel.              | Fill tank with clean, fresh gasoline.  |
|                             | Engine not primed.                          | Press primer bulb.   |
|                             | Faulty spark plug.                          | Clean, adjust gap, or replace.   |
|                             | Blocked fuel line.                          | Clean fuel line.   |
|                             | Engine flooded.                             | Wait a few minutes to restart, do not prime.   |
| Engine runs erratic.        | Spark plug wire loose.                      | Connect and tighten spark plug wire.   |
|                             | Blocked fuel line or stale fuel.            | Clean fuel line. Fill tank with clean, fresh gasoline. Drain carburetor bowl.                        |
|                             | Water or dirt in fuel system.               | Drain fuel tank. Refill with fresh fuel.   |
|                             | Dirty air filter                            | Clean or replace the filter.   |
| Engine overheats.           | Engine oil level low.                       | Fill crankcase with proper oil.  |
|                             | Air flow restricted.                        | Clean area around and on top of engine.  |
| Idles poorly.               | Spark plug fouled, faulty, or gap too wide. | Reset gap or replace spark plug.   |
|                             | Dirty air cleaner.                          | Clean or replace the filter.   |
| Excessive vibration/noise   | Blade loose or unbalanced.                  | Tighten and balance blade.   |
|                             | Bent/damaged blade.                         | Replace the blade.   |
| Mower will not mulch grass. | Wet grass.                                  | Do not mow when grass is wet, wait until dry to cut.   |
| Uneven cut.                 | Excessively high grass.                     | Mow once at a high cutting height, then mow again at desired height or make a narrower cutting path. |
|                             | Dull blade.                                 | Sharpen or replace blade.  |

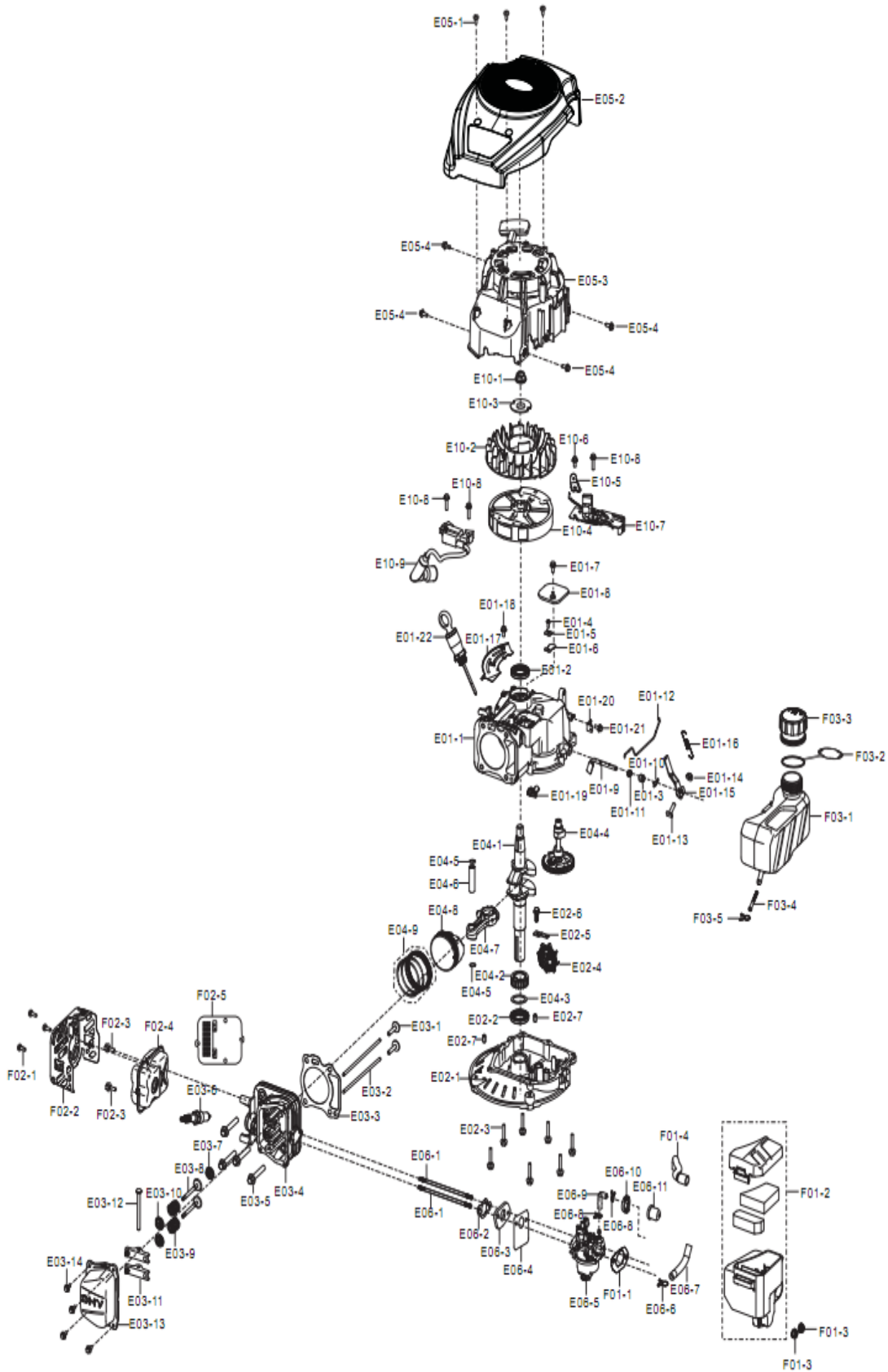
# EXPLODED VIEW AND PART LIST



| Item | Stock #    | Description                       | Qty |
|------|------------|-----------------------------------|-----|
| 1    | 303190311A | Engine                            | 1   |
| 2    | 303020627  | Screw M8×25                       | 3   |
| 3    | 202540004  | Side discharge deflector          | 1   |
| 4    | 303020468  | Screw M6x10mm                     | 2   |
| 5    | 203050382A | Side discharge chute              | 1   |
| 6    | 303030077  | Nylon locknut M8                  | 4   |
| 7    | 203070187  | 7 inch Right wheel                | 1   |
| 8    | 303181312  | Front axle welding                | 1   |
| 9    | 303010216  | Self-tapping screw                | 21  |
| 10   | 303071715  | Front height adjustment gear slot | 1   |
| 11   | 303020562  | Bolt M6*10                        | 4   |
| 12   | 303071721  | Front height adjustment lever     | 1   |
| 13   | 203050399D | Front cover                       | 1   |
| 14   | 303071420  | Axle keeper                       | 2   |
| 15   | 203070184  | 7 inch Left wheel                 | 1   |
| 16   | 303010332  | Screw ST6.3*20                    | 16  |
| 17   | 303071368C | 21 inch Steel deck                | 1   |
| 18   | 303160808  | Small pulley                      | 1   |
| 19   | 203050396B | Belt cover                        | 1   |
| 20   | 303110030  | Square Key                        | 1   |
| 21   | 303060140  | Washer                            | 1   |
| 22   | 303180937  | Blade connector                   | 1   |
| 23   | 303071037  | 21 inch Blade                     | 1   |
| 24   | 303043023A | Butterfly washer                  | 1   |
| 25   | 303020626  | Blade Bolt                        | 1   |
| 26   | 303100065  | Stamping bearings                 | 6   |
| 27   | 203070188  | 8 inch Right wheel                | 1   |
| 28   | 303050007  | Shaft ring                        | 4   |
| 29   | 303160470A | Advance gear Right                | 1   |
| 30   | 303123017A | Cylindrical pin                   | 2   |
| 31   | 203010851  | Dust cover                        | 2   |
| 32   | 303071722  | Rear height adjustment gear slot  | 1   |

| Item | Stock #    | Description                       | Qty |
|------|------------|-----------------------------------|-----|
| 33   | 303181412  | Rear self drive axle              | 1   |
| 34   | 203021336  | Rear axle sleeve                  | 2   |
| 35   | 303240658  | Drive assembly                    | 1   |
| 36   | 302040085  | Belt                              | 1   |
| 37   | 203050520  | Drive support pad                 | 1   |
| 38   | 303010374  | Tapping screw                     | 1   |
| 39   | 303160471A | Drive gear Left                   | 1   |
| 40   | 203070186  | 8 inch Left wheel                 | 1   |
| 41   | 303010095  | Tapping screw                     | 2   |
| 42   | 203050389  | Rear block cover                  | 1   |
| 43   | 303130381  | Rear cover torsional spring left  | 1   |
| 44   | 203050390C | Dust cover                        | 1   |
| 45   | 302120078  | Grass collector                   | 1   |
| 46   | 303130380  | Rear cover torsional Spring right | 1   |
| 47   | 303071718  | Lower left tube support plate     | 1   |
| 48   | 203050400D | Rear seat                         | 1   |
| 49   | 302080050B | Rubber sheet                      | 1   |
| 50   | 203052981  | Rear seat top cover               | 1   |
| 51   | 303181507  | Lower right tube support plate    | 1   |
| 52   | 303080491A | Collector holder                  | 1   |
| 53   | 203050019  | Foldable handle                   | 2   |
| 54   | 303081406  | Lower tube                        | 1   |
| 55   | 203050519  | Cable clip                        | 1   |
| 56   | 203051096  | Foldable handle                   | 2   |
| 57   | 303160531B | Engine cable hook                 | 1   |
| 58   | 303200100  | Cable                             | 1   |
| 59   | 303081329A | Upper tube                        | 1   |
| 60   | 303030025  | Cap nut                           | 2   |
| 61   | 303020442  | Bolt                              | 1   |
| 62   | 303080509A | Cutting control bar               | 1   |
| 63   | 303080502A | Drive control bar                 | 1   |

# ENGINE EXPLODE VIEW AND PART LIST



| Item   | Stock #            | Description                                | Qty |
|--------|--------------------|--|-----|
| E01-1  | 11310-Z3C0110-00A0 | CRANKCASE SUBASSEMBLY.                     | 1   |
| E01-2  | 90682-Z240110-0000 | SEAL, OIL                                  | 1   |
| E01-3  | 90682-Z030210-0000 | SEAL, OIL                                  | 1   |
| E01-4  | 90103-0410-51      | SCREW                                      | 1   |
| E01-5  | 11321-Z2P0110-0000 | PIECE, BREATH                              | 1   |
| E01-6  | 11337-Z2P0110-0000 | LIMIT BOARD                                | 1   |
| E01-7  | 90007-0512-A1      | BOLT                                       | 1   |
| E01-8  | 11333-Z2P0110-0000 | PLATE, BREATH GROOVE COVER                 | 1   |
| E01-9  | 16061-Z2P0110-00A0 | ARM, GOVERNOR                              | 1   |
| E01-10 | 90501-Z010110-0000 | PIN  | 1   |
| E01-11 | 90412-Z870210-0000 | WASHER, FLAT                               | 1   |
| E01-12 | 16062-Z2P0110-0000 | ROD, GOVERNEOR                             | 1   |
| E01-13 | 16072-Z010110-0000 | BOLT, GOVERNOR SUPPORT                     | 1   |
| E01-14 | 90305-0600-31      | NUT  | 1   |
| E01-15 | 16070-Z2P0110-0000 | SUPPORT SUBASSEMBLY, GOVERNOR              | 1   |
| E01-16 | 16063-Z2P0110-0000 | SPRING, GOVERNOR                           | 1   |
| E01-17 | 19308-Z2P0110-0000 | SHIELD, CRANKCASE SIDE                     | 1   |
| E01-18 | 90007-0512-A1      | BOLT                                       | 1   |
| E01-19 | 11340-Z2P0110-0000 | Return oil block assembly                  | 1   |
| E01-20 | 16561-Z2P0110-0000 | PLATE SUBASSEMBLY, THROTTLE CONTROL BOTTOM | 1   |
| E01-21 | 90007-0512-A1      | BOLT                                       | 1   |
| E01-22 | 15010-Z2P0310-Q200 | DIPSTICK, OIL                              | 1   |
| E02-1  | 11411-Z2P0110-00A0 | COVER, CRANKCASE                           | 1   |

| Item   | Stock #            | Description                 | Qty |
|--------|--------------------|-----------------------------|-----|
| E04-3  | 90408-Z030210-0000 | WASHER, FLAT                | 1   |
| E04-4  | 14200-Z2P0110-00A0 | CAMSHAFT ASSY.              | 1   |
| E04-5  | 13122-Z240110-00A0 | CLIP, PISTON PIN            | 2   |
| E04-6  | 13121-Z240110-00A0 | PIN, PISTON                 | 1   |
| E04-7  | 13010-Z2P0110-00A0 | ROD, CONNECTING             | 1   |
| E04-8  | 13111-Z3C0110-00A0 | PISTON                      | 1   |
| E04-9  | 13200-Z870110-00A0 | RING ASSY, PISTON           | 1   |
| E05-1  | 90107-0516-01      | SCREW                       | 3   |
| E05-2  | 80001-Z2P0210-RC00 | HOUSING, ENGINE             | 1   |
| E05-3  | 28200-Z2P0310-Q200 | STARTER ASSY, RECOIL        | 1   |
| E05-4  | 90007-0516-A1      | BOLT                        | 4   |
| E06-1  | 90204-Z010210-0100 | BOLT                        | 1   |
| E06-2  | 17002-Z2P0110-00A0 | GASKET, INLET               | 1   |
| E06-3  | 16003-Z2P0110-00A0 | PLATE, CARBURETOR INSULATOR | 1   |
| E06-4  | 16004-Z2P0110-00A0 | GASKET, INSULATOR PLATE     | 1   |
| E06-5  | 16100-Z3C0210-00A0 | CARBURETOR ASSY.            | 1   |
| E06-6  | 90685-1000-01      | CLAMP                       | 1   |
| E06-7  | 90686-Z2P0110-0000 | TUBE, FUEL                  | 1   |
| E06-8  | 90685-0700-01      | CLAMP                       | 2   |
| E06-9  | 16211-Z2P0110-0000 | TUBE, STARTING RICHED VALVE | 1   |
| E06-10 | 16212-Z2P0110-0000 | SEAT, STARTING RICHED VALVE | 1   |
| E06-11 | 16213-Z2P0110-0000 | VALVE BODY, STARTING RICHED | 1   |
| E10-1  | 13501-Z010110-00A0 | NUT, FLYWHEEL               | 1   |

|        |                    |  |   |       |                    |                                |   |
|--------|--------------------|--|---|-------|--------------------|--------------------------------|---|
| E02-2  | 90682-Z030320-0000 | SEAL, OIL                                    | 1 | E10-2 | 19352-Z2P0110-00A0 | IMPELLER                       | 1 |
| E02-3  | 90001-0630-01      | BOLT   | 7 | E10-3 | 28020-Z2P0110-0000 | SEAT,<br>STARTER CUP           | 1 |
| E02-4  | 16400-Z2P0111-00A0 | GEAR ASSY,<br>GOVERNOR                       | 1 | E10-4 | 13510-Z2P0110-00A0 | FLYWHEEL<br>SUBASSEMBLY        | 1 |
| E02-5  | 16013-Z030120-0000 | PLATE,<br>GOVERNOR<br>SPINDLE<br>COMPRESSION | 1 | E10-5 | 30029-Z2P0110-0000 | LUG, SHROUD                    | 1 |
| E02-6  | 90001-0616-01      | BOLT   | 1 | E10-6 | 90007-0516-A1      | BOLT                           | 1 |
| E02-7  | 90502-0812-00      | PIN  | 2 | E10-7 | 45200-Z2P0110-JS00 | BRAKE ASSY.                    | 1 |
| E03-1  | 14081-Z2P0110-00A0 | TAPPET, VALVE                                | 2 | E10-8 | 90007-0520-A1      | BOLT                           | 3 |
| E03-2  | 14071-Z2P0110-00A0 | LIFTER, VALVE                                | 2 | E10-9 | 30400-Z2P0110-0000 | COIL,<br>IGNITION              | 1 |
| E03-3  | 12131-Z3C0110-00A0 | GASKET,<br>CYLINDER<br>HEAD                  | 1 | F01-1 | 17001-Z2P0110-00A0 | GASKET, AIR<br>CLEANER         | 1 |
| E03-4  | 12140-Z3C0110-00A0 | HEAD<br>SUBASSEMBLY,<br>CYLINDER             | 1 | F01-2 | 17100-Z2P0110-0000 | CLEANER, AIR                   | 1 |
| E03-5  | 90001-0850-01      | BOLT   | 4 | F01-3 | 90305-0600-31      | NUT                            | 2 |
| E03-6  | 30010-Z120110-00A0 | PLUG, SPARK                                  | 1 | F01-4 | 17004-Z2P0110-0000 | TUBE,<br>BREATHER              | 1 |
| E03-7  | 12101-Z810210-00A0 | GUIDE, SEAL                                  | 1 | F02-1 | 90107-0413-03      | BOLT                           | 3 |
| E03-8  | 12110-Z3C0110-00A0 | VALVES SET                                   | 2 | F02-2 | 18130-Z2P0210-0000 | COVER,<br>MUFFLER<br>OUTER     | 1 |
| E03-9  | 12103-Z030110-0000 | SPRING, VALVE                                | 2 | F02-3 | 90001-0616-01      | BOLT                           | 2 |
| E03-10 | 12112-Z010110-00A0 | SEAT, VALVE<br>SPRING                        | 2 | F02-4 | 18100-Z2P0210-0000 | MUFFLER<br>ASSY.               | 1 |
| E03-11 | 14310-Z2P0110-00A0 | ROCKER<br>SUBASSEMBLY,<br>VALVE              | 2 | F02-5 | 18020-Z2P0110-00A0 | PLATE,<br>MUFFLER<br>INSULATOR | 1 |
| E03-12 | 14330-Z2P0110-00A0 | SHAFT, VALVE<br>ROCKER                       | 1 | F03-1 | 16600-Z2P0110-Q2A9 | TANK ASSY,<br>FUEL             | 1 |
| E03-13 | 12411-Z2P0110-0000 | COVER,<br>CYLINDER<br>HEAD                   | 1 | F03-2 | 16744-Z620120-0000 | TANK CAP<br>CHAIN              | 1 |
| E03-14 | 90007-0512-A1      | BOLT   | 4 | F03-3 | 16730-Z620210-LKD0 | COVER, FUEL<br>TANK            | 1 |
| E04-1  | 13300-Z3C0910-00A0 | CRANKSHAFT<br>ASSY.                          | 1 | F03-4 | 16652-Z030110-00A0 | STRAINER,<br>FUEL              | 1 |
| E04-2  | 14014-Z2P0210-00A0 | GEAR, TIMING<br>DRIVE                        | 1 | F03-5 | 90685-1000-01      | CLAMP                          | 1 |

**THREE (3) YEARS LIMITED WARRANTY**



PowerSmart is committed to building equipment that will provide years of dependable service. Our warranties are consistent with our commitment and dedication to quality.

### THREE (3) YEARS LIMITED WARRANTY OF POWER SMART PRODUCTS FOR HOME USE.

PowerSmart ("Seller") warrants to the original purchaser only, that all PowerSmart consumer power tools will be free from defects in material or workmanship for a period of three (3) years from date of purchase. If the tool(s) is used while providing professional or commercial services, the warranty coverage shall be for a maximum of (90) days.

SELLER'S SOLE OBLIGATION AND YOUR EXCLUSIVE REMEDY under this Three (3) Years Limited Warranty and, to the extent permitted by law, any warranty or condition implied by law, shall be the repair or replacement of parts, without charge, which are defective in material or workmanship and which have not been misused, carelessly handled, or improperly repaired, by person(s) other than an Authorized Seller or Service Center.

Please be aware that normal wear parts are not covered this warranty. This includes drive belts, blades and grass bags. Carburetor issues, and/or other damage found to be the result of stale, contaminated or compromised fuel, is not covered under this limited warranty.

To make a claim under this Limited Warranty, you must return the entire power tool product; transportation prepaid, to PowerSmart. The owner must include a legible copy of the original receipt, which shall list the date of purchase, along with the company's name where the product was purchased.

THIS LIMITED WARRANTY DOES NOT APPLY TO ANY ACCESSORY ITEMS INCLUDED WITH THE TOOL SUCH AS CIRCULAR SAW BLADES OTHER RELATED ITEMS OR TO ANY REPLACEMENT PARTS LISTED UNDER MAINTENANCE.

ANY IMPLIED WARRANTIES SHALL BE LIMITED IN DURATION TO THREE (3) YEARS FROM DATE OF PURCHASE. SOME STATES IN THE U.S. AND SOME CANADIAN PROVINCES DO NOT ALLOW LIMITATIONS ON HOW LONG AN IMPLIED WARRANTY LASTS, SO THE ABOVE LIMITATION MAY NOT APPLY TO YOU.

IN NO EVENT SHALL SELLER BE LIABLE FOR ANY INCIDENTAL OR CONSEQUENTIAL DAMAGES (INCLUDING BUT NOT LIMITED TO LIABILITY FOR LOSS OF PROFITS) ARISING FROM THE SALE OR USE OF THIS PRODUCT. SOME STATES IN THE U.S. AND SOME CANADIAN PROVINCES DO NOT ALLOW THE EXCLUSION OR LIMITATION OF INCIDENTAL OR CONSEQUENTIAL DAMAGES, SO THE ABOVE LIMITATION OR EXCLUSION MAY NOT APPLY TO YOU.

THIS LIMITED WARRANTY GIVES YOU SPECIFIC LEGAL RIGHTS, AND YOU MAY ALSO HAVE OTHER RIGHTS WHICH VARY FROM STATE TO STATE IN THE U.S., PROVINCE TO PROVINCE IN CANADA AND FROM COUNTRY TO COUNTRY.

Please call toll free at: 1-800-791-9458, 1-888-293-0024 (M-F 9am – 5pm EST)

Email: [support@amerisuninc.com](mailto:support@amerisuninc.com), [support@powersmartusa.com](mailto:support@powersmartusa.com)

PLEASE SAVE ALL OF YOUR ORIGINAL RECEIPTS. THIS WARRANTY IS VOID WITHOUT THEM.

## **SOMMAIRES**



|  |    |
|--|----|
| Données techniques.....                                    | 26 |
| Introduction.....  | 27 |
| Informations sur la sécurité.....                          | 27 |
| Procédures générales de sécurité .....                     | 28 |
| Consignes de sécurité importantes.....                     | 29 |
| Instructions relatives aux étiquettes d'avertissement..... | 31 |
| Connaître votre tondeuse à gazon.....                      | 33 |
| Préparation de la tondeuse à gazon.....                    | 34 |
| Opération.....   | 36 |
| Maintenance.....   | 39 |
| Stockage.....  | 42 |
| Dépannage.....   | 43 |
| Vue éclatée et liste des pièces.....                       | 44 |
| Garantie.....  | 49 |

## **DONNÉES TECHNIQUES**

### 21" 3-in-1 Tondeuse autopropulsée

|  |   |
|--|---|
| de gaz à essence                       | Modèle # DB2321SR   |
| Type de moteur:                        | 4 Course, Soupape en tête, monocylindre avec système de refroidissement à air forcé |
| Déplacement:                           | 170cc   |
| Capacité du réservoir de carburant:    | 0.21 Gallon   |
| Capacité pétrolière:                   | 16.9 fl.oz  |
| Largeur de coupe:                      | 20.5 pouce  |
| Hauteur de coupe:                      | 1.5 – 3.9 pouce   |
| Ajustement de la hauteur:              | 6 Position  |
| Type d'entraînement:                   | Autopropulsé  |
| Capacité de capture d'herbe:           | 1.4 Bushels   |
| Roue:                                  | Front: 7 pouce / Arrière: 8 pouce   |
| Dimensions de l'emballage (L x l x H): | 33.3 x 22.6 x 16 pouces   |
| Poids:                                 | 66.3 lb.  |

## **INTRODUCTIONS**

Merci d'avoir acheté un produit de PowerSmart®, Ce manuel fournit des informations sur l'utilisation et la maintenance en toute sécurité de ce produit. Tous les efforts ont été faits pour assurer l'exactitude des informations contenues dans ce manuel. PowerSmart® se réserve à tout moment le droit de la modification de ce produit et des spécifications sans préavis.

Veillez garder ce manuel à la disposition de tous les utilisateurs pendant la durée de vie de la tondeuse à gazon.



Ce manuel contient des messages de spécialité pour attirer l'attention sur les problèmes de sécurité potentiels, les dommages causés par la tondeuse à gazon ainsi que des informations utiles sur l'utilisation et l'entretien. Veuillez lire avec attention toutes les informations pour éviter des blessures et des dommages de la machine.

### **QUESTIONS ? PROBLEMES ?**

Veillez prendre contact avec notre service à la clientèle pour toute question et / ou tout commentaire, soit par courriel : support@amerisuninc.com, soit à l'appel en PCV (800)791-9458. Nous sommes disponibles de 9h à 17h HNE de lundi à vendredi pour vous aider à résoudre tous les problèmes que vous pourriez rencontrer.

### **AVIS CONCERNANT LES EMISSIONS**

Avant d'être certifié pour se conformer à la réglementation américaine des émissions, soit les règles élaborées par l'agence de protection de l'environnement des Etats-Unis (EPA) pour les petits équipements hors route, les moteurs sont certifiés pour fonctionner avec de l'essence ordinaire sans plomb, et peut comprendre les systèmes suivants de contrôle d'émission : (MM) les Modifications des Moteur et (CTV) Catalyseur à Trois Voies (si ainsi équipé).

## **INFORMATION DE SECURITE**

Avant de fonctionner cette tondeuse à gazon, lisez et respectez tous les avertissements et instructions sur la tondeuse à gazon et dans ce guide de l'utilisateur.

NOTE : Les informations suivantes sur la sécurité ne sont pas destinées à couvrir toutes les conditions et situations possibles. Lisez le guide de l'ensemble de l'utilisateur pour obtenir des instructions de sécurité et de fonctionnement. Le non-respect des instructions et consignes concernant la sécurité peut entraîner des blessures graves, voire mortelles.

Ce symbole d'alerte de sécurité sert à identifier les informations de sécurité sur les dangers qui peuvent entraîner des blessures.



Un mot de signal (DANGER, AVERTISSEMENT ou ATTENTION) est utilisé avec le symbole d'alerte pour indiquer la probabilité et la gravité potentielle des blessures.

**DANGER** indique un danger qui, s'il n'est pas évité, entraînera la mort ou des blessures graves.

**AVERTISSEMENT** indique un danger qui, s'il n'est pas évité, entraînera la mort ou des blessures graves.

**ATTENTION** indique un danger qui, s'il n'est pas évité, peut entraîner des blessures mineures ou modérées.

**ATTENTION** indique une situation qui pourrait causer des dommages au moteur, lorsqu'il est utilisé sans le symbole d'alerte.

## **PROCEDURES GENERALES DE SECURITE**

Pour toute question concernant les avis de danger et de sécurité figurant dans ce manuel ou sur le produit, veuillez appeler (800)791-9458 Lun-Ven 9-5 EST avant le fonctionnement de la machine.



### **DANGER : MONOXYDE DE CARBONE**

L'utilisation d'un moteur dans la pièce PEUT VOUS TUER EN QUELQUES MINUTES.

L'échappement du moteur contient du monoxyde de carbone (CO), un gaz toxique que vous ne pouvez pas voir ou sentir. Si vous sentez l'échappement du moteur, vous respirez du CO. Or, même si vous ne sentez pas l'échappement, vous pourriez respirer du CO.

N'utilisez JAMAIS un moteur à l'intérieur d'une maison, d'un garage, d'un vide sanitaire ou d'une autre pièce partiellement fermée. Des niveaux mortels de monoxyde de carbone peuvent s'accumuler dans ces zones.

L'utilisation d'un ventilateur, ou l'ouverture de fenêtres et / ou de portes, n'évacuera PAS correctement le CO ni fournira suffisamment d'air frais. UTILISEZ UNIQUEMENT un moteur à l'extérieur et loin des fenêtres, des portes et des événements. Ces ouvertures peuvent tirer l'échappement du moteur.

Même si vous utilisez un moteur correctement, le CO peut s'infiltrer dans la maison. Utilisez TOUJOURS une alarme de CO alimentée par pile ou batterie de secours dans la maison. Si vous commencez à vous sentir malade, étourdi ou faible après que le moteur a démarré, déplacez-vous à l'air frais. Visitez un docteur. Il est possible que vous ayez une intoxication au monoxyde de carbone.

**AVERTISSEMENT** : L'échappement de cette machine contient des produits chimiques reconnus par l'État de Californie comme pouvant causer le cancer, des malformations congénitales ou d'autres problèmes de reproduction.

**AVERTISSEMENT** : Ce moteur peut émettre des vapeurs d'essence hautement inflammables et explosives qui peuvent causer de graves brûlures ou même la mort en cas d'inflammation. Une flamme nue à proximité peut provoquer une explosion même si elle n'est pas directement en contact avec de l'essence.

- Ne fonctionnez pas la machine près d'une flamme nue.
- Ne fumez pas près du moteur.
- Toujours opérez sur une surface plane et ferme.
- Toujours arrêtez le moteur avant de faire le plein d'essence. Laissez le moteur refroidir en 2 minutes au moins avant de retirer le bouchon du réservoir. Desserrez lentement le bouchon pour relâcher la pression dans le réservoir.
- Ne remplissez trop le réservoir de carburant. L'essence peut se dilater pendant le fonctionnement. Ne remplissez pas jusqu'au sommet du réservoir. Permettez l'expansion d'essence.
- Toujours vérifiez le carburant déversé avant de l'utiliser.
- Faites vider le réservoir de carburant avant de stocker ou de transporter le moteur.

**AVERTISSEMENT** : Ce moteur produit de la chaleur lors de l'exécution. Les températures proches de l'échappement peuvent dépasser 150° F (65° C).

Ne touchez pas les surfaces chaudes. Faites attention aux étiquettes d'avertissement sur le moteur qui identifient les parties chaudes de la machine.

Avant de toucher le moteur ou les zones du moteur qui deviennent chaudes pendant l'utilisation, le laissez refroidir après l'utilisation.

**ATTENTION** : Une mauvaise utilisation de ce moteur peut l'endommager ou raccourcir sa durée de vie. N'utilisez le moteur que pour les fins prévues.

# **CONSIGNES DE SÉCURITÉ IMPORTANTES**

Cette machine est capable d'amputer les mains et les pieds et de lancer des objets. Des blessures graves ou la mort seront entraînées si vous ne respectez pas les consignes de sécurité suivantes.

## **I. Opération générale**

1. Lisez, comprenez et suivez les instructions et les avertissements de ce manuel et sur la machine, le moteur et les accessoires.
2. N'autorisez que les opérateurs responsables, formés, familiarisés avec les instructions et physiquement capables de faire fonctionner la machine.
3. Ne transportez pas de passagers et éloignez les passants.
4. N'utilisez pas la machine sous l'influence d'alcool ou de drogues.
5. Suivez les recommandations du fabricant pour les poids de roue ou les contrepoids.

## **II. PRÉPARATION AVANT L'UTILISATION**

5. Dégagez la zone de travail de tout objet qui pourrait être jeté par la machine ou interférer avec son fonctionnement
6. Maintenez la zone d'opération à l'écart de tous les passants, en particulier des jeunes enfants. Arrêtez la machine et les accessoires si quelqu'un pénètre dans la zone.
7. Ne faites pas fonctionner la machine sans que le bac de ramasseur d'herbe, la goulotte d'éjection ou d'autres dispositifs de sécurité soient en place et fonctionnent correctement. Vérifiez fréquemment les signes d'usure ou de détérioration et remplacez-les si nécessaire.
8. Portez un équipement de protection individuelle approprié, tel que des lunettes de sécurité, des protections auditives et des chaussures.

## **III. FONCTIONNEMENT**

1. Ne faites fonctionner le moteur que dans des endroits bien ventilés. Les gaz d'échappement contiennent du monoxyde de carbone, un poison mortel.
2. Ne faites fonctionner la machine qu'à la lumière du jour ou à une bonne lumière artificielle.
3. Évitez les trous, ornières, bosses, rochers ou autres dangers cachés. Un terrain accidenté pourrait renverser la machine, ou faire perdre l'équilibre ou le pied à l'opérateur.
4. Ne placez pas vos mains ou vos pieds près des pièces rotatives ou sous la machine. Restez toujours à l'écart de l'ouverture de décharge.
5. Ne dirigez pas les matériaux de décharge vers quiconque. Évitez de décharger des matériaux contre un mur ou un obstacle. Les matières peuvent ricocher vers l'opérateur. Arrêtez la (les) lame(s) lorsque vous traversez des surfaces de gravier.
6. Ne laissez pas une machine en marche sans surveillance. Garez-vous toujours sur un sol plat, débrayez l'accessoire, serrez le frein de stationnement et arrêtez le moteur.
7. Ne tondez pas en marche arrière, sauf en cas de nécessité absolue. Regardez toujours en bas et derrière vous avant et pendant la marche arrière.

## **IV. SPÉCIFIQUE AUX ENFANTS**

1. Des accidents tragiques peuvent se produire si l'opérateur n'est pas attentif à la présence d'enfants. Les enfants sont souvent attirés par la machine et l'activité de fauchage. Ne supposez jamais que les enfants resteront là où vous les avez vus pour la dernière fois.
2. Gardez les enfants hors de la zone de travail et sous la surveillance d'un adulte responsable autre que l'opérateur.

## V. PENTE SPÉCIFIQUE

**Les pentes sont un facteur majeur lié aux accidents. L'exploitation sur les pentes exige une prudence accrue.**

1. Déplacez-vous dans la direction recommandée par le fabricant sur les pentes. Soyez prudent lorsque vous vous déplacez à proximité de dénivellations.
2. Évitez de tondre l'herbe mouillée. (Une mauvaise tenue pourrait provoquer un accident de glissade et de chute).
3. N'utilisez pas la machine dans des conditions où la traction, la direction ou la stabilité sont en question. Les pneus pourraient glisser même si les roues sont à l'arrêt.
4. Gardez toujours la machine en marche lorsque vous descendez une pente. Ne descendez pas en roue libre.
5. Évitez de démarrer et de vous arrêter dans les pentes. Évitez de faire des changements brusques de vitesse ou de direction. Faites tourner lentement et progressivement.
6. Soyez particulièrement vigilant lorsque vous utilisez une machine équipée d'un ramasseur d'herbe ou d'un ou plusieurs autres accessoires. Ils peuvent affecter la stabilité de la machine.

## VI. SPÉCIFIQUE AUX INCENDIES ET AUX COMBUSTIBLES

9. Éteignez toutes les cigarettes, cigares, pipes et autres sources d'inflammation.
10. N'utilisez qu'un récipient à carburant approuvé.
11. Ne retirez pas le bouchon du réservoir ni ajoutez de carburant lorsque le moteur est en marche ou à chaud.
12. Ne faites pas le plein à l'intérieur ou dans des espaces clos.
13. Ne stockez pas la machine ou le récipient de combustible, ou faites le plein, dans un endroit où il y a une flamme nue, une étincelle ou une veilleuse, comme sur un chauffe-eau ou un autre appareil.
14. N'essayez pas de démarrer le moteur et évitez de créer une source d'inflammation tant que les vapeurs de carburant ne se sont pas dissipées si du carburant est renversé.
15. Pour prévenir les incendies : gardez la machine à l'abri de l'herbe, des feuilles ou d'autres débris accumulés ; nettoyez les déversements d'huile ou de carburant et retirez les débris imbibés de carburant ; laissez la machine refroidir avant de la ranger.
16. Soyez particulièrement vigilant lors de la manipulation de l'essence et d'autres carburants. Ils sont inflammables et les vapeurs sont explosives.

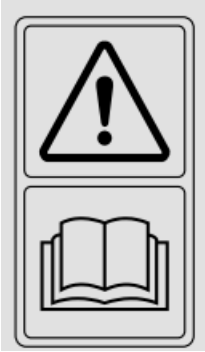
## VII. TRANSPORT

2. Utilisez des rampes de pleine largeur pour le chargement et le déchargement d'une machine de transport.

## VIII. SERVICE

5. Maintenez la machine en bon état de fonctionnement. Remplacez les pièces usées ou endommagées.
6. Soyez prudent lors de l'entretien des lames. Enveloppez la/les lame(s) ou portez des gants. Remplacez les lames endommagées. Ne réparez pas ni modifiez la/les lame(s)
7. Les machines équipées de pompes, de tuyaux ou de moteurs hydrauliques ; et/ou de systèmes d'injection de diesel :  
AVERTISSEMENT : Le fluide s'échappant sous pression peut avoir une force suffisante pour pénétrer la peau et causer des blessures graves. Si du liquide est injecté dans la peau, consultez immédiatement un médecin. Gardez le corps et les mains éloignés des trous d'épingle ou des buses qui éjectent du fluide sous haute pression. Si une fuite se produit, faites immédiatement réparer la machine par un technicien qualifié.
8. Si l'appareil en est équipé, débranchez le(s) fil(s) de la bougie avant d'effectuer toute réparation.

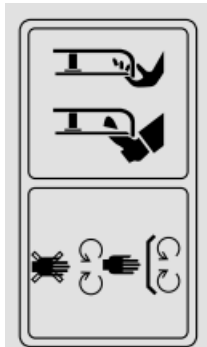
# INSTRUCTIONS SUR L'ÉTIQUETTE D'AVERTISSEMENT



Lisez attentivement le manuel avant de l'utiliser.



Objets volants dangereux;  
gardez une distance de sécurité par rapport à la machine tant que le moteur est en marche.



Faites plus attention aux mains et aux pieds de l'opérateur pour éviter les blessures

N'ouvrez pas ni retirez les boucliers de sécurité lorsque le moteur est en marche.



Le carburant est inflammable, éloignez le feu.

Ne remplissez jamais le réservoir de carburant lorsque le moteur est en marche.

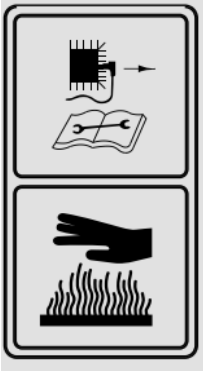


Emission de gaz toxique, n'utilisez pas la tondeuse dans un endroit proche ou mal ventilé.



Regardez derrière vous tout en soutenant

Danger des pentes raides



Lors de la réparation, retirez le soufflet de la bougie, puis réparez-le conformément au manuel d'utilisation.

Surfaces chaudes



Lors de la tonte, veuillez porter les lunettes et des bouchons d'oreilles pour vous protéger

Tenir à l'écart des spectateurs.



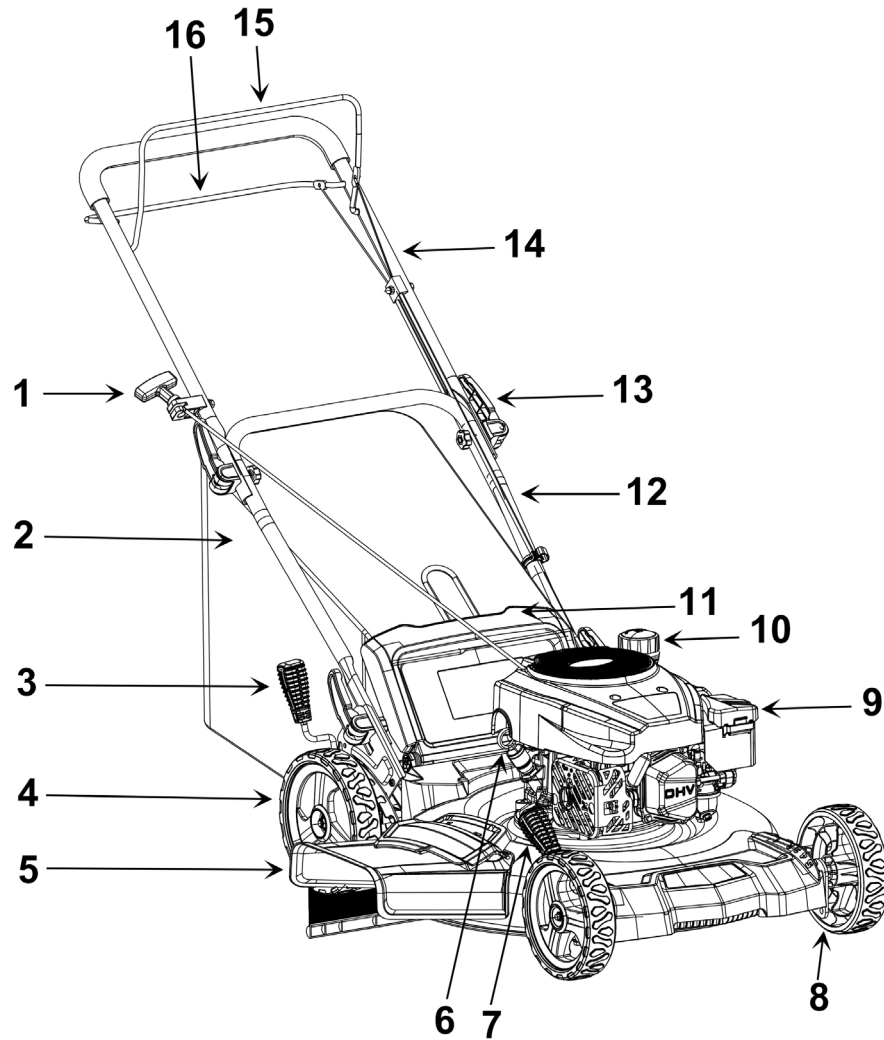
L'étiquette de sécurité se trouve sur la tondeuse à gazon:  
GARDEZ LES MAINS ET LES PIEDS ÉLOIGNÉS.

**Avertissement:** Gardez les panneaux de sécurité clairs et visibles sur l'équipement. Remplacez les panneaux de sécurité s'ils sont manquants ou illisibles.



# CONNAÎTRE VOTRE TONDEUSE À GAZON

Veillez vous familiariser avec l'emplacement et la fonction des composants qui contrôlent votre tondeuse à gazon avec l'illustration ci-dessous.



|   |  |    |                                       |
|---|--|----|---------------------------------------|
| 1 | Poignée de lanceur à rappel              | 9  | Poire d'amorçage                      |
| 2 | Bac à herbe                              | 10 | Bouchon de réservoir de carburant     |
| 3 | Levier de réglage de la hauteur de coupe | 11 | Porte de décharge arrière             |
| 4 | Roue arrière                             | 12 | Tube inférieur                        |
| 5 | Goulotte d'éjection latérale             | 13 | Poignée pliable                       |
| 6 | Jauge d'huile                            | 14 | Tube supérieur                        |
| 7 | Levier de réglage de la hauteur de coupe | 15 | Commande de démarrage/arrêt du moteur |
| 8 | Roue avant                               | 16 | Barre de contrôle du lecteur          |

# PRÉPARATION DE LA TONDEUSE À GAZON

La section suivante décrit les étapes nécessaires pour préparer la tondeuse à gazon à l'utilisation. Si, vous n'êtes pas sûr de savoir comment effectuer l'une ou l'autre de ces étapes après avoir lu cette section, veuillez appeler le (800) 791-9458 du lundi au vendredi 9-5 EST pour le service clientèle. Vous risquez d'endommager la tondeuse ou de réduire sa durée de vie si vous n'effectuez pas ces étapes correctement.

## DÉBALLAGE

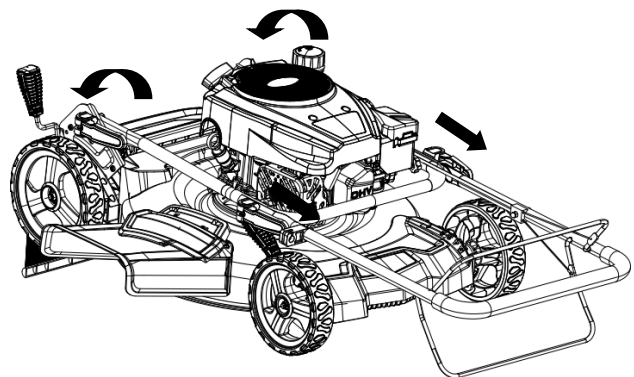
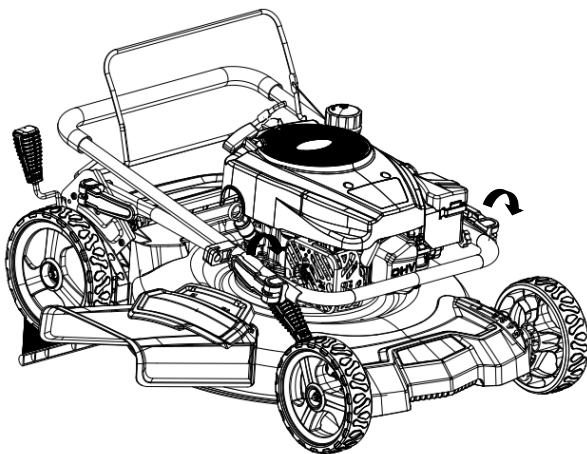
Déballer la tondeuse à gazon et toutes ses pièces, et comparez-les à la liste ci-dessous. Ne jetez pas le carton ou tout autre emballage avant que le moteur ne soit complètement assemblé.

## LISTE DE COLISAGE

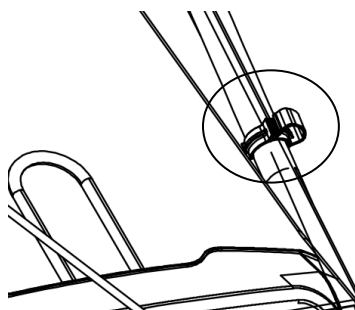
Goulotte d'éjection latérale \* 1  
Collecteur d'herbe \* 1  
Clip de câble \* 1  
Clé à bougie \* 1  
Manuel d'utilisation \* 1  
Entonnoir \* 1  
Huile 10W-30 \* 1

## ASSEMBLER LE TUBE INFÉRIEUR ET SUPÉRIEUR

1. Sortez la tondeuse pliée de la boîte extérieure.
2. Verrouillez la poignée pliable entre le tube supérieur et le tube inférieur, ainsi que le tube inférieur et le siège arrière.

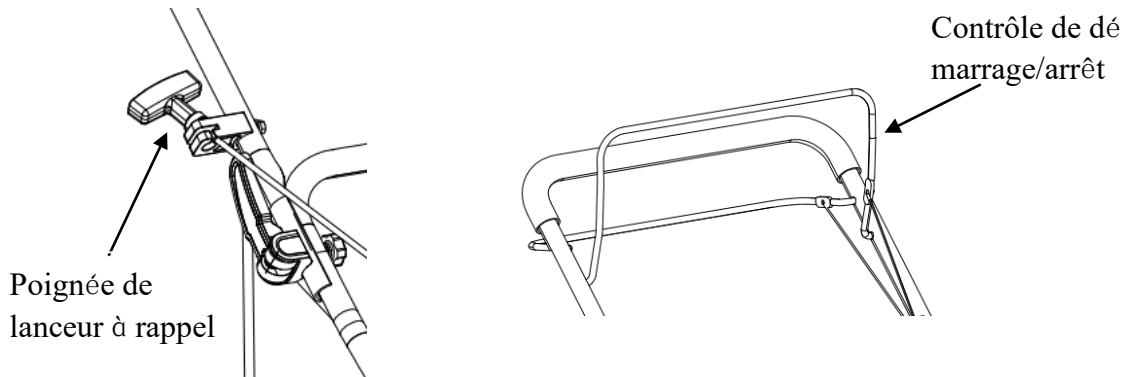


3. Verrouillez le câble au tube inférieur à l'aide du serre-câble.



Clip de câble

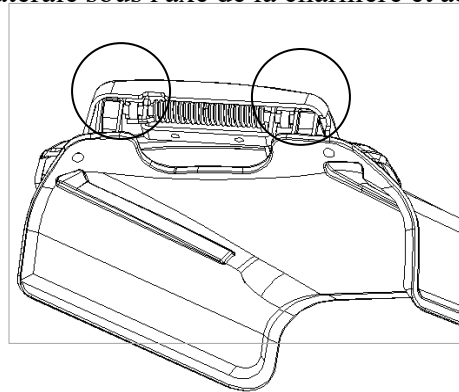
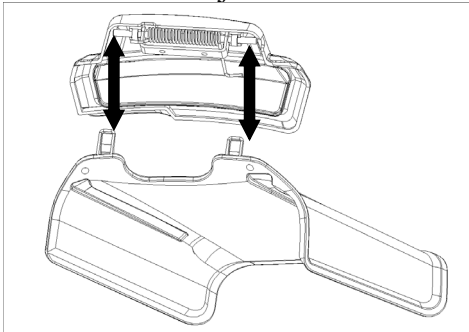
4. Insérez le câble de la poignée du démarreur à rappel dans le crochet prévu sur la poignée supérieure. Vous devez engager la commande marche/arrêt pour libérer la poignée du démarreur à rappel.



### GOULOTTE D'ÉJECTION LATÉRALE

Pour convertir la tondeuse à éjection latérale, le ramasseur d'herbe a été enlevé et la porte d'éjection arrière est fermée.

3. Soulevez le couvercle de décharge à ressort situé sur le côté de la tondeuse.
4. Faites glisser deux crochets de la goulotte d'éjection latérale sous l'axe de la charnière et abaissez le ressort du couvercle d'éjection latérale.



**Attention:** N'essayez jamais de retirer le couvercle à décharge latérale à ressort monté en permanence.

### RAMASSEUR D'HERBE

#### Attacher le ramasseur d'herbe

4. Soulevez la porte de déchargement arrière de la tondeuse.
5. Placez le bac de ramasseur d'herbe dans les fentes des supports de poignée.
6. Relâchez la porte d'éjection arrière pour qu'elle repose sur le bac de ramasseur d'herbe.

### RÉGLAGE DE LA HAUTEUR DE COUPE



**Avertissement!** Les réglages de la hauteur de coupe ne doivent être effectués qu'après l'arrêt complet du moteur et des lames!

Il est toujours préférable de commencer à tondre votre pelouse avec une hauteur de pont plus élevée pour éviter de scalper votre pelouse.

La hauteur de coupe est réglée à l'aide de leviers avant et arrière.

Actionnez le levier de réglage et tirez-le dans la position requise. Veuillez vous assurer que le levier se verrouille dans la même position.

## **FONCTIONNEMENT**

### **REPLISSAGE DE GAZ ET DE PÉTROLE**

Le moteur est livré sans huile ni essence. Veuillez à ajouter de l'huile et de l'essence avant de démarrer le moteur.

3. Ajoutez de l'huile avant de démarrer la tondeuse pour la première fois.
4. Faites l'entretien du moteur avec de l'essence selon les instructions.



**Avertissement :** Faites preuve d'une extrême prudence lorsque vous manipulez de l'essence. L'essence est extrêmement inflammable et ses vapeurs sont explosives. Ne faites jamais le plein d'essence à l'intérieur ou lorsque le moteur est chaud ou en marche. Éteignez toutes les cigarettes, cigares, pipes et autres sources potentielles d'inflammation.

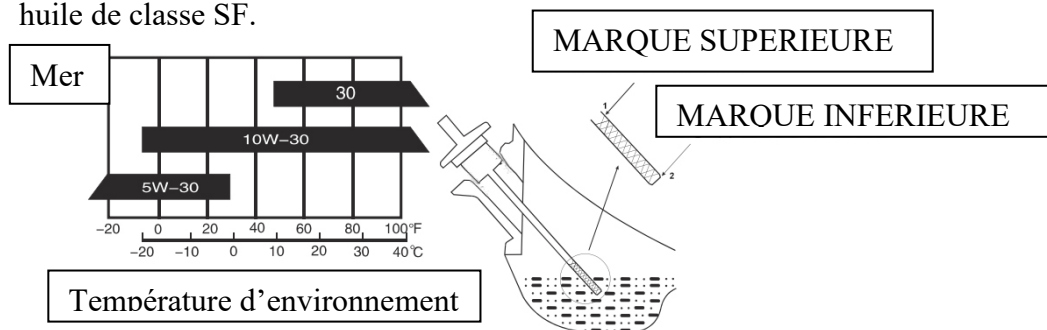
### **Huile de moteur**

L'huile moteur est un facteur clé dans le choix des performances du moteur. N'appliquez pas d'huile moteur avec des additifs ou de l'huile pour moteur à essence 2 course, car ils n'ont pas assez de lubrification et peuvent réduire la durée de vie des moteurs.



**Vérifiez le moteur à l'arrêt sur un terrain plat.**  
Huile de moteur recommandée: 10W-30

Comme la viscosité varie en fonction des régions et des températures, il est recommandé d'utiliser une huile de classe SF.



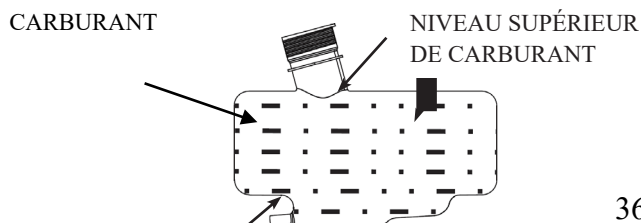
Vérifier la méthode

1. Retirez la jauge et nettoyez-la.
2. Réinsérez la jauge dans l'orifice de remplissage d'huile et insérez-la jusqu'au bout.
3. Vérifiez le niveau d'huile : Si le niveau d'huile est trop bas, ajoutez l'huile moteur recommandée et vérifiez le niveau d'huile entre le niveau supérieur (1) et le niveau inférieur (2).
4. Réinstallez la jauge d'huile.

Ajouter de l'essence

Retirez le bouchon du réservoir et vérifiez le niveau de carburant.

Si le niveau est trop bas, remplissez le réservoir, n'oubliez pas de ne pas dépasser le niveau supérieur.





## Avertissement

6. L'essence est extrêmement inflammable et est explosive dans certaines conditions.
7. Faites le plein dans une zone bien ventilée avec le moteur arrêté. Ne fumez pas et ne laissez pas de flammes ou d'étincelles dans la zone où l'essence est stockée ou dans celle où le réservoir est rempli.
8. Ne remplissez pas trop le réservoir de carburant (il ne doit pas y avoir de carburant dans le goulot de remplissage). Après avoir fait le plein, assurez-vous que le bouchon du réservoir est bien en place.
9. Veillez à ne pas renverser de carburant lorsque vous faites le plein. Le carburant ou les vapeurs de carburant renversés peuvent s'enflammer. Si du carburant est renversé, assurez-vous que la zone est sèche avant de démarrer le moteur.
10. Évitez tout contact répété ou prolongé avec la peau ou l'inhalation de vapeurs de carburant. Tenez hors de portée des enfants.

Utilisez de l'essence fraîche (dans les 30 jours suivant l'achat), sans plomb, avec un indice d'octane minimum de 87. Ne mélangez pas l'huile avec l'essence.

Pour ajouter de l'essence, suivez les étapes suivantes:

5. Assurez-vous que la tondeuse à gazon se trouve sur une surface plane
6. Dévissez le bouchon du réservoir de carburant et mettez-le de côté. **REMARQUE :** Le bouchon du réservoir peut être serré et difficile à dévisser.
7. Ajoutez lentement de l'essence sans plomb dans le réservoir. Faites attention à ne pas trop remplir. La capacité du réservoir de carburant est de 0,21 gallons.

**REMARQUE:** Ne remplissez pas le réservoir de carburant jusqu'en haut. L'essence se dilatera et se renversera pendant l'utilisation, même si le bouchon du réservoir est en place.

8. Réinstallez le bouchon du réservoir et essuyez l'essence renversée avec un chiffon sec.

### IMPORTANT:

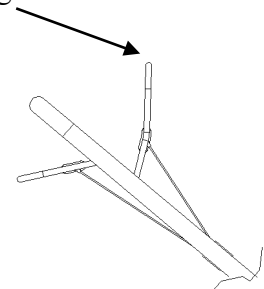
- N'utilisez jamais un mélange huile/essence.
- N'utilisez jamais de la vieille essence.
- Évitez de faire entrer de la saleté ou de l'eau dans le réservoir de carburant.
- L'essence peut vieillir dans le réservoir et rendre le démarrage difficile. Ne stockez jamais une tondeuse à gazon pendant de longues périodes avec de l'essence dans le réservoir ou le carburateur.

## CONTROLE DU DEMARRAGE/ARRET DU MOTEUR

Cette tondeuse à gazon est équipée d'une commande de démarrage/arrêt du moteur pour empêcher tout démarrage involontaire et garantir un fonctionnement sûr. En relâchant ce levier, la lame s'arrête rapidement en cas de danger. Le levier doit être actionné avant le démarrage de la tondeuse à gazon. Lorsque le levier de démarrage/arrêt du moteur est relâché, il doit revenir à sa position initiale.

Avant de commencer à tondre, vous devez effectuer ce processus plusieurs fois afin de vous assurer que les câbles du levier et de l'actionneur fonctionnent correctement. Répétez le test plusieurs fois après le démarrage du moteur. Lorsque la commande de démarrage/arrêt du moteur est relâchée, le moteur doit s'arrêter dans les quelques secondes qui suivent. Si ce n'est pas le cas, contactez le service clientèle.

Contrôle du  
démarrage/arrêt du moteur



**Avertissement:** La lame commence à tourner dès que le moteur est mis en marche.

## DÉMARRER LE MOTEUR

Pour démarrer le moteur, effectuez les étapes suivantes:

1. Vérifiez les niveaux d'huile et de carburant.
2. Appuyez 3 fois sur la poire d'amorçage.
3. Engagez la commande de démarrage/arrêt du moteur et tirez simultanément sur le démarreur à rappel. Tirez lentement sur la poignée du démarreur à rappel jusqu'à ce que vous sentiez une légère résistance, puis tirez rapidement pour démarrer le moteur. Ramenez doucement la corde dans le démarreur à rappel. Ne laissez jamais le cordon se réenclencher.
4. Si le moteur ne démarre pas, répétez l'étape 3.

**REMARQUE:** Après plusieurs tentatives infructueuses de démarrage du moteur, veuillez consulter le guide de dépannage avant d'essayer à nouveau. Si les problèmes persistent, veuillez appeler le service clientèle.

**REMARQUE:** Ne laissez pas la poignée du démarreur s'enclencher contre le moteur. Retournez-la doucement pour éviter d'endommager le démarreur

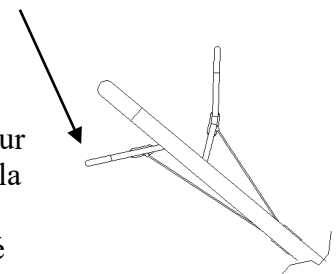
## ARRÊTER LE MOTEUR

Relâchez la commande de démarrage/arrêt du moteur pour arrêter le moteur

Barre de contrôle  
du moteur

## BARRE DE CONTRÔLE DU MOTEUR

Si vous appuyez sur la barre de contrôle de l'entraînement, l'embrayage de l'entraînement sera fermé et la tondeuse commencera à se déplacer avec le moteur en marche. Relâchez la barre de contrôle de l'entraînement à temps pour arrêter la tondeuse en mouvement. Entraînez-vous à démarrer et à vous arrêter avant d'utiliser la tondeuse pour la première fois, jusqu'à ce que vous soyez familiarisé avec la commande de la tondeuse.



## FAUCHAGE

L'accélérateur du moteur de votre tondeuse a été pré réglé pour fournir des performances optimales de ramassage et de broyage pour les années à venir.

N'utilisez qu'une lame tranchante en bon état. Cela évitera que les brins d'herbe ne s'effilochent et que la pelouse ne jaunisse.

Tondez en ligne droite pour obtenir une belle apparence de propreté. Les andains doivent se chevaucher de quelques centimètres afin d'éviter les rayures.

Garder le dessous du carter de la tondeuse propre et éliminer l'accumulation d'herbe est important. Cette accumulation diminuera la qualité du broyage et rendra le ramassage de l'herbe plus difficile pour l'équipement.

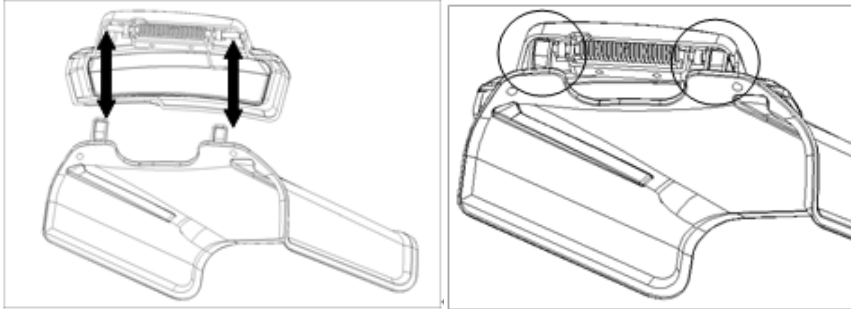
Tondez toujours dans les pentes (pas de haut en bas). Vous pouvez éviter que la tondeuse ne glisse vers le bas en la tenant dans une position inclinée vers le haut. Choisissez la hauteur de coupe en fonction de la longueur de l'herbe. Si nécessaire, tondez plusieurs fois afin de ne jamais couper plus de 5 cm d'herbe en une seule fois.

Arrêtez le moteur avant de vérifier la lame. N'oubliez pas que la lame continue de tourner pendant quelques secondes après que le moteur a été éteint. N'essayez jamais d'arrêter la lame manuellement. Vérifiez régulièrement si la lame est bien fixée, si elle est en bon état et si elle est bien aiguisée. Dans le cas contraire, aiguiser la lame ou remplacez-la. Si la lame heurte un objet, éteignez immédiatement la tondeuse et attendez que la lame s'arrête complètement. Inspectez ensuite l'état de la lame et du support de lame. Remplacez toute pièce endommagée.

### En utilisant comme décharge latérale

Vous devez fermer le couvercle arrière avec l'adaptateur de mulching afin d'utiliser la décharge latérale.

1. Sur le côté de la tondeuse, soulevez le couvercle de l'éjection latérale.
2. Faites glisser les deux crochets de la goulotte d'éjection latérale sous l'axe de la charnière du couvercle d'éjection latérale. Abaissez le couvercle de l'éjection latérale.



**Attention :** Ne retirez jamais le couvercle d'évacuation latérale.

### EN UTILISANT COMME ENSACHEUR ARRIÈRE

Pour utiliser le ramasseur d'herbe pour ramasser les déchets de coupe pendant que vous utilisez la tondeuse.

1. Fixez le ramasseur d'herbe en suivant les instructions de préparation de la tondeuse à gazon. L'herbe coupée sera automatiquement collectée dans le sac lorsque vous utiliserez la tondeuse. Faites fonctionner la tondeuse jusqu'à ce que le bac de ramasseur soit plein.
2. Arrêtez complètement le moteur en relâchant le levier de démarrage/arrêt du moteur. Assurez-vous que le moteur est complètement arrêté.
3. Soulevez la porte d'éjection arrière et éloignez le bac de ramasseur de la tondeuse pour le retirer. Éliminez l'herbe coupée et réinstallez le bac de ramasseur une fois terminé.



**Avertissement:** Si vous heurtez un objet étranger, arrêtez le moteur. Retirez le fil de la bougie, inspectez soigneusement la tondeuse pour détecter tout dommage, et réparez les dégâts avant de redémarrer et de fonctionner. Des vibrations excessives de la tondeuse en cours de fonctionnement sont une indication de dommages. La tondeuse doit être inspectée et réparée rapidement.

## ENTRETIEN

Un entretien de routine de cette tondeuse aidera à prolonger la durée de vie de la machine.

Respectez toujours les règles de sécurité lors de toute opération de maintenance.

La garantie sur cette tondeuse à gazon ne couvre pas les articles qui ont fait l'objet d'abus ou de négligence de la part de l'opérateur. Pour recevoir la vanne complète de la garantie, l'opérateur doit entretenir la tondeuse à gazon comme indiqué ici.

Le changement de la vitesse du moteur annulera la garantie du moteur.

Tous les ajustements doivent être vérifiés au moins une fois par saison.

Vérifiez périodiquement toutes les fixations et assurez-vous qu'elles sont bien serrées.



**Avertissement :** Arrêtez toujours le moteur, laissez le moteur refroidir, débranchez le fil de la bougie avant d'effectuer tout type de maintenance sur votre machine.

### SOIN DE PLATE-FORME



Il est important de nettoyer le dessous de la tondeuse après utilisation pour éviter l'accumulation de tontes de gazon ou d'autres débris. Suivez les étapes ci-dessous pour un nettoyage approprié.

1. Laissez le moteur tourner jusqu'à ce qu'il soit à court de carburant. N'essayez pas de verser du carburant dans le moteur.
2. Débrancher le fil de la bougie d'allumage. Reportez-vous au manuel d'utilisation du moteur.
3. Faites basculer la tondeuse lentement pour qu'elle repose sur le boîtier.
4. Pour éviter les déversements d'huile, inclinez toujours la tondeuse de manière à ce que le filtre à air soit orienté vers le haut.
5. Tenez fermement la tondeuse et grattez et nettoyez le dessous du pont avec un outil approprié.
6. Abaissez doucement la tondeuse sur ses roues au sol.

Avertissements : Ne poussez jamais la tondeuse à plus de 90 ° dans n'importe quelle direction et ne laissez pas la tondeuse enfoncée pendant un certain temps. De l'huile peut s'écouler dans la partie supérieure du moteur, entraînant un problème de démarrage.

## LAME DE TONDEUSE

Pour assurer un fonctionnement en toute sécurité, faites effectuer tous les travaux d'aiguillage, d'équilibrage et de montage de la lame par un centre de service agréé. Pour obtenir des résultats optimaux, nous recommandons de faire vérifier la lame une fois par an.

Si, malgré toute précaution, la lame entre en contact avec un obstacle, coupez immédiatement le moteur et débranche le connecteur de la bougie d'allumage. Inclinez la tondeuse à gazon vers l'arrière et vérifiez que la lame n'est pas endommagée. Toujours gardez le côté avec le filtre à air vers le haut. Les lames endommagées ou pliées doivent être remplacées. Ne redressez jamais une lame pliée. Ne travaillez jamais avec des lames tordues ou très usées, car cela entraînerait des vibrations et endommagerait davantage la tondeuse.



**Avertissement** : Risque de blessure en travaillant avec une lame endommagée.

## VERIFIER L'HUILE

La quantité d'huile du carter moteur est de 15,2 fl.oz.

Vérifiez le niveau d'huile du moteur en fonction du programme d'entretien recommandé.

La tondeuse à gazon doit être vérifiée avant chaque utilisation pour vérifier le niveau d'huile approprié. Ceci est une étape critique pour un démarrage correct du moteur.

Pour vérifier le niveau d'huile:

1. Assurez-vous que la tondeuse à gazon est sur une surface plane
2. Nettoyez l'autour de l'orifice de remplissage d'huile. Retirez la jauge et essuyez la jauge avec un chiffon propre. Insérez la jauge dans l'orifice de remplissage d'huile sans visser dedans. Retirez la jauge pour vérifier le repère d'huile. Ajoutez de l'huile si la marque d'huile couvre moins de la moitié de la jauge.
3. Ajoutez peu à peu d'huile et répétez l'étape 2 jusqu'à ce que la marque d'huile atteigne le sommet de la jauge. Ne pas trop remplir le carter.
4. Réinstallez la jauge d'huile.

## CHANGEMENT/AJOUT D'HUILE

Changez l'huile en fonction du programme d'entretien recommandé. Changez l'huile lorsque le moteur est chaud. Cela permettra un drainage complet. Changez l'huile plus souvent si le fonctionnement est sous forte charge ou si la température ambiante est élevée. Il est également nécessaire de vidanger l'huile du carter s'il a été contaminé par de l'eau ou de la saleté. La quantité d'huile du moteur est de 15,2 fl.oz. Ajouter de l'huile lorsque le niveau d'huile est bas. Pour connaître le type et le poids appropriés de l'huile, reportez-vous à la section «REPLISSAGE DE GAZ ET D'HUILE» de la section «FONCTIONNEMENT».

**Pour remplir le carter avec de l'huile, suivez les étapes suivantes:**

1. Assurez-vous que la tondeuse à gazon est sur une surface plane. Inclinant la tondeuse à gazon pour faciliter le remplissage provoquera un écoulement d'huile dans les zones du moteur et causera des dommages. Gardez le niveau de la tondeuse à gazon!
2. Retirez la jauge du moteur.
3. À l'aide d'un entonnoir ou d'un distributeur approprié, ajoutez la quantité appropriée d'huile (15.2 fl.oz) dans le carter.
4. Réinstallez la jauge.

**REMARQUE: Ne jetez jamais de l'huile de moteur usée dans la poubelle ou dans un égout. Veuillez appeler un centre de recyclage local ou un garage automobile pour organiser l'élimination d'huile.**

### **ENTRETIEN DE FILTRE À AIR**

L'entretien régulier du filtre à air aide à maintenir un flux d'air adéquat vers le carburateur. Vérifiez de temps en temps que le filtre à air est exempt de saleté excessive. Voir le calendrier de maintenance recommandé. Pour les détails du filtre à air:

1. Ouvrez le couvercle du filtre à air.
2. Retirez l'élément en forme d'éponge du boîtier.
3. Essuyez la saleté à l'intérieur du boîtier du filtre à air vide.
4. Lavez l'élément en forme d'éponge à l'aide d'un détergent ménager et de l'eau chaude. Une petite quantité d'huile dans l'élément est normale et nécessaire au bon fonctionnement du moteur.
5. Si nécessaire, remplacez l'élément en papier.
6. Réinstallez l'élément en forme d'éponge dans le boîtier du filtre à air et réinstallez le couvercle.

**AVERTISSEMENT : Faire fonctionner le moteur avec un élément de filtre à air encrassé, endommagé ou manquant, le moteur s'usera prématurément.**

### **Entretien de bougie**

**La bougie est importante pour le bon fonctionnement du moteur. Une bonne bougie doit être intacte, exempte de dépôts et correctement écartée Voir le calendrier de maintenance recommandé. Pour inspecter la bougie:**

1. Retirez le capot de bougie. Veillez à ne pas déchirer l'isolation ou le fil.
2. Dévissez la bougie du moteur en utilisant la clé de bougie fournie. Il y a un espace limité pour que la clé puisse tourner. Utilisez les deux rangées de trous dans la clé de bougie pour obtenir un effet de levier afin de desserrer la bougie.
3. Inspectez visuellement la bougie pour rechercher des fissures ou une usure excessive des électrodes. Remplacez si nécessaire.
4. Mesurez l'écart de la bougie avec un calibre de fil. L'écart doit être compris entre 0,7 et 0,8 mm (0,028 à 0,031 pouce).
5. Si la bougie est réutilisée, utilisez une brosse métallique pour éliminer toute trace de saleté autour de la base de bougie, puis rapprochez-la.
6. Vissez la bougie dans le trou de bougie en utilisant la clé de bougie. Ne pas trop serrer la bougie. Le serrage recommandé de la bougie est de ½ à ¾ d'un tour après que le joint d'étanchéité de la bougie a touché le trou de bougie. Réinstallez le capot de bougie.

## **Calendrier d'entretien**

| Element     | Action    | Avant chaque utilisation | 5 heures d'utilisation ou premier mois | 25 premières heures d'utilisation | 50 heures d'utilisation ou tous les 6 mois | 100 heures d'utilisation ou chaque année | 150 heures d'utilisation ou tous les deux ans |
|-------------|-----------|--------------------------|--|-----------------------------------|--|--|---|
| Lame        | Inspecter | x                        |  |                                   |  |  |   |
| rouillon de | Inspecter | x                        |  |                                   |  |  |   |

|                               |                  |  |   |                |                |                |   |
|-------------------------------|------------------|--|---|----------------|----------------|----------------|---|
| fixation de lame              |                  |  |   |                |                |                |   |
| Huile moteur                  | Vérifier         | x  |   |                |                |                |   |
|                               | Changer          |  | x |                | x <sup>2</sup> | x              | x |
| Filtre à air                  | Vérifier         | x  |   |                |                |                |   |
|                               | Nettoyer         |  |   | x <sup>1</sup> | x <sup>1</sup> | x <sup>1</sup> |   |
|                               | Remplacer        |  |   |                |                |                | x |
| Sac d'herbe                   | Vérifier         | x  |   |                |                |                |   |
| Opération de contrôle de lame | Vérifier         | x  |   |                |                | x              |   |
| Bougie                        | Vérifier         |  |   |                |                | x              |   |
|                               | Remplacer        |  |   |                |                |                | x |
| Réservoir de carburant        | Nettoyer         |  |   |                |                | x              |   |
| Garniture de frein volant     | Vérifier         |  |   |                |                | x              |   |
| Jeu de soupape                | Vérifier-ajuster |  |   |                |                | x              |   |
| Ligne de carburant            | Vérifier         | Vérifier tous les 2 ans et remplacer si nécessaire |   |                |                |                |   |

1. Faites l'entretien plus fréquemment lorsqu'il est utilisé dans des endroits poussiéreux.

2. Changez l'huile du moteur toutes les 25 heures lorsqu'il est utilisé sous une charge importante ou dans des températures extérieures élevées.

## **STOCKAGE**

**ATTENTION** : Ne placez jamais de type de bâche de stockage ou de bâche sur la TONDEUSE tant qu'elle est encore chaude.

Si la TONDEUSE est entreposée pendant de longues périodes (30 jours ou plus), vidangez le réservoir de carburant et le bol de carburateur.

Lorsque vous rangez la tondeuse pendant de longues périodes :

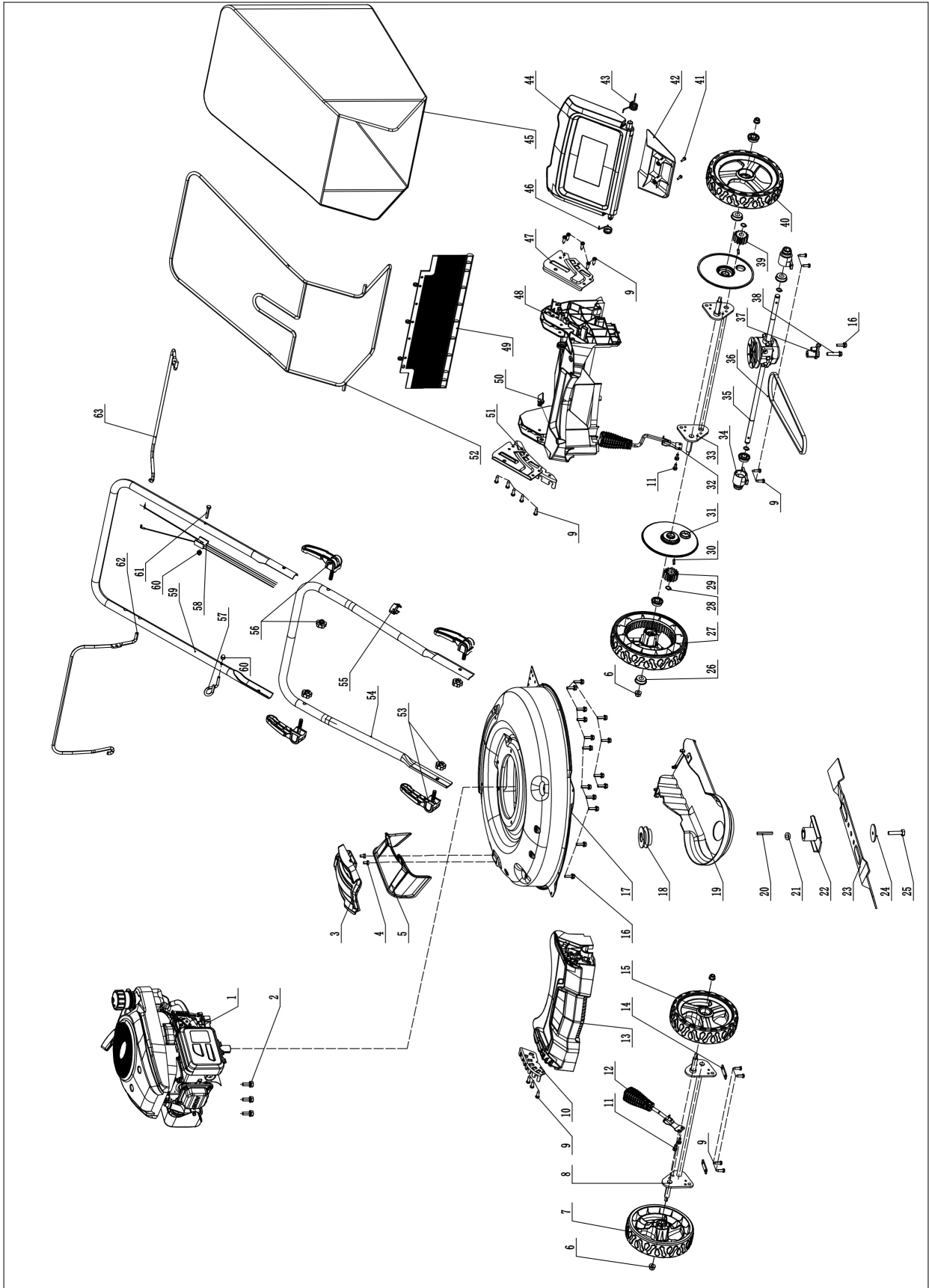
1. Démarrez le moteur et le faites fonctionner jusqu'à ce que le réservoir et la conduite de carburant soient complètement vides et que le moteur s'arrête.
2. Changez l'huile après chaque saison.
3. Retirez la bougie d'allumage. Utilisez un bidon d'huile pour remplir le cylindre d'env. 2 ml d'huile. Tirez lentement la poignée du démarreur, qui baignera la paroi du cylindre avec de l'huile. Revissez la bougie d'allumage.
4. Nettoyer les ailettes de refroidissement du cylindre et du boîtier.
5. Assurez-vous de nettoyer tout l'équipement pour protéger la peinture.
6. Stockez l'équipement dans un endroit bien ventilé.

**REMARQUE: La GARANTIE LIMITÉE ne couvre pas les dommages au système d'alimentation en carburant ni les problèmes de performance du moteur résultant d'une préparation au stockage négligée.**

## DEPANNAGE

| <b>Problème</b>                   | <b>Cause</b>  | <b>Solution</b>   |
|-----------------------------------|---|---|
| Le moteur ne démarre pas          | Le levier de démarrage / arrêt du moteur est désengagé. | Engager le levier de démarrage / arrêt du moteur.   |
|                                   | Le fil de la bougie d'allumage est déconnecté.          | Raccorder le fil de la bougie d'allumage.   |
|                                   | Le réservoir de carburant vide ou périmé                | Remplir le réservoir d'essence propre et fraîche.   |
|                                   | Moteur désamorçée.                                      | Appuyer sur la poire d'amorçage.  |
|                                   | La bougie d'allumage défectueuse.                       | Nettoyer, ajuster l'espace ou remplacer.  |
|                                   | Ligne de carburant bloquée.                             | Nettoyer la ligne de carburant.   |
|                                   | Moteur inondé   | Attendre quelques minutes pour redémarrer, ne pas amorcer.  |
| Le moteur tourne erratique.       | Le fil de la bougie est desserré.                       | Connecter et serrer le fil de la bougie d'allumage.   |
|                                   | Ligne de carburant bloquée ou carburant éventé.         | Nettoyer la ligne de carburant. Remplissez le réservoir d'essence propre et fraîche.  |
|                                   | L'eau ou la saleté dans le système de carburant.        | Vider le réservoir de carburant. Remplir avec du carburant frais.   |
|                                   | Filtre à air sale                                       | Référez-vous au manuel du moteur.   |
| Le moteur surchauffe.             | Niveau bas d'huile moteur.                              | Remplir le carter avec l'huile appropriée.  |
|                                   | Débit d'air restreint.                                  | Nettoyer la zone autour et au-dessus du moteur.   |
| Ralenti mauvais.                  | Bougie d'allumage encrassée, défectueuse ou trop large. | Réinitialiser l'espace ou remplacer la bougie d'allumage.   |
|                                   | Filtre à air sale.                                      | Référez-vous au manuel du moteur.   |
| Vibration / bruit excessifs       | Lame détachée ou déséquilibrée.                         | Serrer et équilibrer la lame.   |
|                                   | Lame courbée / endommagée.                              | Consulter un concessionnaire agréé.   |
| La tondeuse ne broie pas l'herbe. | Herbe mouillée.   | Ne pas tondre lorsque l'herbe est mouillée, attendez jusqu'à ce qu'elle soit sèche pour couper.   |
| Coupe inégale.                    | Herbe excessivement haute.                              | Tondre une fois à une hauteur de coupe élevée, puis tondre de nouveau à la hauteur désirée ou effectuer un parcours de coupe plus étroit. |
|                                   | Lame émoussée.  | Affûter ou remplacer la lame.   |

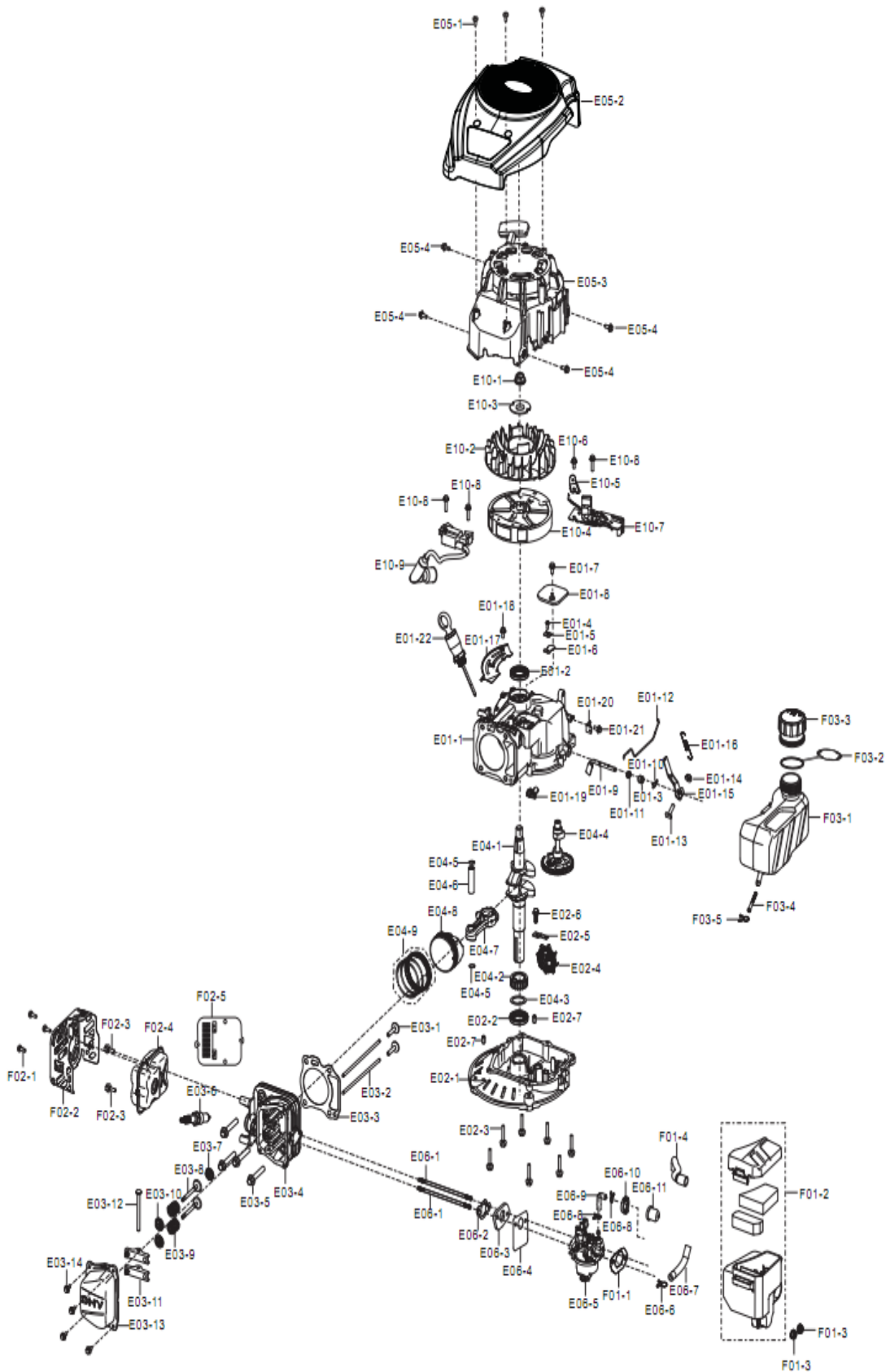
# VUE ÉCLATÉE ET LISTE DES PIÈCES



| Item | Stock #    | Description                               | Qty |
|------|------------|---|-----|
| 1    | 303190311A | Moteur                                    | 1   |
| 2    | 303020627  | verrou M8X25                              | 3   |
| 3    | 202540004  | Défecteur d'éjection latérale             | 1   |
| 4    | 303020468  | Vis à tête hexagonale avec rondelle M6X10 | 2   |
| 5    | 203050382A | Goulotte d'éjection latérale              | 1   |
| 6    | 303030077  | Écrou en nylon M8                         | 4   |
| 7    | 203070187  | 7" Roue à droit                           | 1   |
| 8    | 303181312  | Couplage d'essieu avant                   | 1   |
| 9    | 303010216  | Vis auto-taraudeuse ST6.3x20              | 21  |
| 10   | 303071715  | Fente de réglage de la hauteur avant      | 1   |
| 11   | 303020562  | Vis à tête hexagonale avec rondelle M6*10 | 4   |
| 12   | 303071721  | Levier de réglage de la hauteur avant     | 1   |
| 13   | 203050399D | Cache avant                               | 1   |
| 14   | 303071420  | Gardien d'essieu                          | 2   |
| 15   | 203070184  | 7" roue à gauche                          | 1   |
| 16   | 303010332  | Vis auto-taraudeuse ST6.3*20              | 16  |
| 17   | 303071368C | 21" tablier métallique                    | 1   |
| 18   | 303160808  | Petite poulie                             | 1   |
| 19   | 203050396B | Couverture de ceinture                    | 1   |
| 20   | 303110030  | Clé                                       | 1   |
| 21   | 303060140  | Laveuse                                   | 1   |
| 22   | 303180937  | Connecteur de lame                        | 1   |
| 23   | 303071037  | 21" lame                                  | 1   |
| 24   | 303043023A | Rondelle en forme de papillon             | 1   |
| 25   | 303020626  | Vis à bride                               | 1   |
| 26   | 303100065  | Roulements d'estampage                    | 6   |
| 27   | 203070188  | 8" Roue à droit                           | 1   |
| 28   | 303050007  | Bague d'arbre                             | 4   |
| 29   | 303160470A | Avancement du matériel à droite           | 1   |
| 30   | 303123017A | Broche cylindrique                        | 2   |
| 31   | 203010851  | Couverture de la défense arrière          | 2   |
| 32   | 303071722  | Fente de réglage de la hauteur arrière    | 1   |

| Item | Stock #    | Description                                    | Qty |
|------|------------|--|-----|
| 33   | 303181412  | Sertissage de l'essieu moteur arrière          | 1   |
| 34   | 203021336  | Manchon d'essieu arrière                       | 2   |
| 35   | 303240658  | Ensemble d'entraînement                        | 1   |
| 36   | 302040085  | Ceinture                                       | 1   |
| 37   | 203050520  | Coussin de soutien à l'entraînement            | 1   |
| 38   | 303010374  | Vis auto-taraudeuse                            | 1   |
| 39   | 303160471A | Avance à gauche                                | 1   |
| 40   | 203070186  | 8"Roue à gauche                                | 1   |
| 41   | 303010095  | Vis auto-taraudeuse                            | 2   |
| 42   | 203050389  | Couverture du bloc arrière                     | 1   |
| 43   | 303130381  | Ressort de torsion du couvercle arrière gauche | 1   |
| 44   | 203050390C | Couverture de la défense arrière               | 1   |
| 45   | 302120078  | Ramasseur d'herbe                              | 1   |
| 46   | 303130380  | Ressort de torsion du couvercle arrière droit  | 1   |
| 47   | 303071718  | Plaque support tube inférieur gauche           | 1   |
| 48   | 203050400D | Base arrière                                   | 1   |
| 49   | 302080050B | Feuille de caoutchouc                          | 1   |
| 50   | 203052981  | Housse de siège arrière                        | 1   |
| 51   | 303181507  | Plaque support tube inférieur droit            | 1   |
| 52   | 303080491A | Porte-collecteur                               | 1   |
| 53   | 203050019  | Poignée pliable                                | 2   |
| 54   | 303081406  | Tube inférieur                                 | 1   |
| 55   | 203050519  | Serre-câble                                    | 1   |
| 56   | 203051096  | Poignée pliable                                | 2   |
| 57   | 303160531B | Crochet de câble moteur                        | 1   |
| 58   | 303200100  | Câble  | 1   |
| 59   | 303081329A | Tube supérieur                                 | 1   |
| 60   | 303030025  | Barre de contrôle en coupe                     | 2   |
| 61   | 303020442  | Vis à tête hexagonale avec rondelle            | 1   |
| 62   | 303080509A | Barre de contrôle des coupes                   | 1   |
| 63   | 303080502A | Barre de contrôle de la conduite               | 1   |

# VUE ÉCLATÉE DU MOTEUR ET LISTE DES PIÈCES



| Article | N° de stock        | Description   | Qt é |
|---------|--------------------|---|------|
| E01-1   | 11310-Z3C0110-00A0 | SOUS-ENSEMBLE DU CARTER.                                | 1    |
| E01-2   | 90682-Z240110-0000 | JOINT D'ÉTANCHÉITÉ, HUILE                               | 1    |
| E01-3   | 90682-Z030210-0000 | JOINT, HUILE  | 1    |
| E01-4   | 90103-0410-51      | VIS   | 1    |
| E01-5   | 11321-Z2P0110-0000 | PIÈCE, SOUFFLE  | 1    |
| E01-6   | 11337-Z2P0110-0000 | CONSEIL DE LIMITATION                                   | 1    |
| E01-7   | 90007-0512-A1      | BOULON  | 1    |
| E01-8   | 11333-Z2P0110-0000 | PLAQUE, COUVERCLE DE LA RAINURE DE RESPIRATION          | 1    |
| E01-9   | 16061-Z2P0110-00A0 | BRAS, GOUVERNEUR  | 1    |
| E01-10  | 90501-Z010110-0000 | ÉPINGLE   | 1    |
| E01-11  | 90412-Z870210-0000 | RONDELLE, PLATE   | 1    |
| E01-12  | 16062-Z2P0110-0000 | BARRE, GOUVERNEUR                                       | 1    |
| E01-13  | 16072-Z010110-0000 | BOULON, SOUTIEN AU GOUVERNEUR                           | 1    |
| E01-14  | 90305-0600-31      | ÉCROU   | 1    |
| E01-15  | 16070-Z2P0110-0000 | SOUS-ASSEMBLÉE DE SOUTIEN, GOUVERNEUR                   | 1    |
| E01-16  | 16063-Z2P0110-0000 | RESSORT, GOUVERNEUR                                     | 1    |
| E01-17  | 19308-Z2P0110-0000 | BOUCLIER, CÔTÉ CHARRETIER                               | 1    |
| E01-18  | 90007-0512-A1      | BOULON  | 1    |
| E01-19  | 11340-Z2P0110-0000 | Assemblage de blocs de pétrole de retour                | 1    |
| E01-20  | 16561-Z2P0110-0000 | SOUS-ENSEMBLE DE LA PLAQUE, FOND DE LA COMMANDE DES GAZ | 1    |
| E01-21  | 90007-0512-A1      | BOULON  | 1    |
| E01-22  | 15010-Z2P0310-Q200 | JAUGE, PÉTROLE  | 1    |
| E02-1   | 11411-Z2P0110-00A0 | COUVERCLE, CHARRETIER                                   | 1    |
| E02-2   | 90682-Z030320-0000 | JOINT, HUILE  | 1    |
| E02-3   | 90001-0630-01      | BOULON  | 7    |
| E02-4   | 16400-Z2P0111-00A0 | ASSEMBLAGE ENGRENAG, GOUVERNEUR                         | 1    |

| Article | N° de stock        | Description                          | Qt é |
|---------|--------------------|--------------------------------------|------|
| E04-3   | 90408-Z030210-0000 | RONDELLE, PLATE                      | 1    |
| E04-4   | 14200-Z2P0110-00A0 | ASSEMBLAGE ARBRE À CAMES             | 1    |
| E04-5   | 13122-Z240110-00A0 | AGRAFE, AXE DE PISTON                | 2    |
| E04-6   | 13121-Z240110-00A0 | ÉPINGLE, PISTON                      | 1    |
| E04-7   | 13010-Z2P0110-00A0 | TIGE DE LIAISON                      | 1    |
| E04-8   | 13111-Z3C0110-00A0 | PISTON                               | 1    |
| E04-9   | 13200-Z870110-00A0 | ASSEMBLAGE SEGMENT, PISTON           | 1    |
| E05-1   | 90107-0516-01      | VIS                                  | 3    |
| E05-2   | 80001-Z2P0210-RC00 | LOGEMENT, MOTEUR                     | 1    |
| E05-3   | 28200-Z2P0310-Q200 | ASSEMBLAGE DÉBUTANT, REÇULANT        | 1    |
| E05-4   | 90007-0516-A1      | BOULON                               | 4    |
| E06-1   | 90204-Z010210-0100 | BOULON                               | 1    |
| E06-2   | 17002-Z2P0110-00A0 | JOINT, ENTRÉE                        | 1    |
| E06-3   | 16003-Z2P0110-00A0 | PLAQUE, ISOLATEUR DE CARBURATEUR     | 1    |
| E06-4   | 16004-Z2P0110-00A0 | JOINT, PLAQUE D'ISOLATION            | 1    |
| E06-5   | 16100-Z3C0210-00A0 | ASSEMBLAGE CARBURATEUR               | 1    |
| E06-6   | 90685-1000-01      | CRAMPON                              | 1    |
| E06-7   | 90686-Z2P0110-0000 | TUBE, CARBURANT                      | 1    |
| E06-8   | 90685-0700-01      | CRAMPON                              | 2    |
| E06-9   | 16211-Z2P0110-0000 | TUBE, DÉMARRAGE DE LA SOUPAGE RICHE  | 1    |
| E06-10  | 16212-Z2P0110-0000 | SIÈGE, DÉMARRAGE DE LA SOUPAPE RICHE | 1    |
| E06-11  | 16213-Z2P0110-0000 | CORPS DE VANNE, DÉMARRAGE RICHE      | 1    |
| E10-1   | 13501-Z010110-00A0 | ÉCROU, VOLANT                        | 1    |
| E10-2   | 19352-Z2P0110-00A0 | IMPULSEUR                            | 1    |
| E10-3   | 28020-Z2P0110-0000 | SIÈGE, TASSE DE DÉMARRAGE            | 1    |
| E10-4   | 13510-Z2P0110-00A0 | SOUS-ENSEMBLE VOLANT D'INERTIE       | 1    |



|        |                    |  |   |       |                    |                                   |   |
|--------|--------------------|--|---|-------|--------------------|-----------------------------------|---|
| E02-5  | 16013-Z030120-0000 | PLAQUE, COMPRESSION DE LA BROCHE DU RÉGULATEUR | 1 | E10-5 | 30029-Z2P0110-000  | PATTE, LINCEUL                    | 1 |
| E02-6  | 90001-0616-01      | BOULON   | 1 | E10-6 | 90007-0516-A1      | BOULON                            | 1 |
| E02-7  | 90502-0812-00      | ÉPINGLE  | 2 | E10-7 | 45200-Z2P0110-JS00 | ASSEMBLAGE FREIN                  | 1 |
| E03-1  | 14081-Z2P0110-00A0 | POUSSOIR, SOUPAGE                              | 2 | E10-8 | 90007-0520-A1      | BOULON                            | 3 |
| E03-2  | 14071-Z2P0110-00A0 | ASCENSEUR, SOUPAPE                             | 2 | E10-9 | 30400-Z2P0110-000  | BOBINE, ALLUMAGE                  | 1 |
| E03-3  | 12131-Z3C0110-00A0 | JOINT, CULASSE                                 | 1 | F01-1 | 17001-Z2P0110-00A0 | JOINT D'ÉTANCHÉITÉ, FILTRE À AIR  | 1 |
| E03-4  | 12140-Z3C0110-00A0 | SOUS-ENSEMBLE DE LA CULASSE, CYLINDRE          | 1 | F01-2 | 17100-Z2P0110-000  | NETTOYAGE, AIR                    | 1 |
| E03-5  | 90001-0850-01      | BOULON   | 4 | F01-3 | 90305-0600-31      | ÉCROU                             | 2 |
| E03-6  | 30010-Z120110-00A0 | PRISE DE COURANT, ÉTINCELLE                    | 1 | F01-4 | 17004-Z2P0110-000  | TUBE, RESPIRATEUR                 | 1 |
| E03-7  | 12101-Z810210-00A0 | GUIDE, JOINT                                   | 1 | F02-1 | 90107-0413-03      | BOULON                            | 3 |
| E03-8  | 12110-Z3C0110-00A0 | ENSEMBLE DE VANNES                             | 2 | F02-2 | 18130-Z2P0210-000  | COUVERCLE, SILENCIEUX EXTÉRIEUR   | 1 |
| E03-9  | 12103-Z030110-0000 | RESSORT, SOUPAGE                               | 2 | F02-3 | 90001-0616-01      | BOULON                            | 2 |
| E03-10 | 12112-Z010110-00A0 | SIÈGE, RESSORT DE SOUPAPE                      | 2 | F02-4 | 18100-Z2P0210-000  | ASSEMBLAGE SILENCIEUX             | 1 |
| E03-11 | 14310-Z2P0110-00A0 | SOUS-ENSEMBLE DE BASCULEMENT, SOUPAPE          | 2 | F02-5 | 18020-Z2P0110-00A0 | PLAQUE, ISOLATEUR DE SILENCIEUX   | 1 |
| E03-12 | 14330-Z2P0110-00A0 | ARBRE, CULBUTEUR DE SOUPAPE                    | 1 | F03-1 | 16600-Z2P0110-Q2A9 | ASSEMBLAGE RÉSERVOIR, CARBURANT   | 1 |
| E03-13 | 12411-Z2P0110-0000 | COUVERCLE, CULASSE                             | 1 | F03-2 | 16744-Z620120-000  | CHAÎNE DE BOUCHONS DE RÉSERVOIR   | 1 |
| E03-14 | 90007-0512-A1      | BOULON   | 4 | F03-3 | 16730-Z620210-LKD0 | COUVERCLE, RÉSERVOIR DE CARBURANT | 1 |
| E04-1  | 13300-Z3C0910-00A0 | ASSEMBLAGE VILEBREQUIN                         | 1 | F03-4 | 16652-Z030110-00A0 | PASSOIRE, CARBURANT               | 1 |
| E04-2  | 14014-Z2P0210-00A0 | ENGRENAGE, ENTRAÎNEMENT DE LA DISTRIBUTION     | 1 | F03-5 | 90685-1000-01      | CRAMPON                           | 1 |

## **TROIS (3) ANS DE GARANTIE LIMITÉE**

PowerSmart s'est engagé à construire des équipements offrant des années de service fiable. Nos garanties sont compatibles avec notre engagement et notre attachement à la qualité.

TROIS (3) ANS DE GARANTIE LIMITÉE SUR LES PRODUITS POWER SMART POUR USAGE DOMESTIQUE.

PowerSmart («Vendeur») garantit à l'acheteur d'origine uniquement que tous les outils électriques grand public PowerSmart sont exempts de tout défaut de matériau ou de fabrication pendant une période de trois (3) ans à compter de la date d'achat. Si l'outil est utilisé tout en fournissant des services professionnels ou commerciaux, la couverture de la garantie sera pour un maximum de (90) jours.

LA SEULE OBLIGATION DU VENDEUR ET VOTRE RECOURS EXCLUSIF en vertu de la présente garantie limitée de trois (3) ans et, dans la mesure permise par la loi, toute garantie ou condition implicite en vertu de la loi, sera la réparation ou le remplacement gratuit des pièces dont le matériel est défectueux ou de fabrication et qui n'ont pas été mal utilisés, manipulés sans précaution ou réparés de manière incorrecte, par une personne autre qu'un vendeur autorisé ou un centre de service.

Veillez noter que les pièces d'usure normales ne sont pas couvertes par cette garantie. Cela inclut les courroies d'entraînement, les lames et les sacs à herbe. Les problèmes de carburateur et / ou tout autre dommage résultant d'un carburant éventé, contaminé ou compromis ne sont pas couverts par cette garantie limitée.

Pour faire une réclamation en vertu de cette garantie limitée, vous devez retourner l'ensemble du produit; transport prépayé, à PowerSmart. Le propriétaire doit inclure une copie lisible de l'original du ticket de caisse, qui doit indiquer la date d'achat, ainsi que le nom de la société où le produit a été acheté.

CETTE GARANTIE LIMITÉE NE S'APPLIQUE PAS SUR LES ÉLÉMENTS ACCESSOIRES INCLUS AVEC L'OUTIL TELS QUE LES CIRCULAIRES SAW BLADES, AUTRES ÉLÉMENTS CONNEXES OU SUR LES PIÈCES DE REMPLACEMENT FIGURANT SOUS MAINTENANCE.

TOUTE GARANTIE IMPLICITE SERA LIMITÉE À UNE DURÉE DE TROIS (3) ANS À PARTIR DE LA DATE DE L'ACHAT. CERTAINS ÉTATS AUX ÉTATS-UNIS ET DANS CERTAINES PROVINCES CANADIENS NE PERMETTENT PAS DE LIMITER LA DURÉE D'UNE GARANTIE IMPLICITE, DE SORTE QUE LA LIMITATION PRÉCÉDENTE PEUT NE PAS VOUS ÊTRE APPLICABLE..

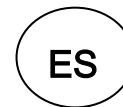
EN AUCUN CAS, LE VENDEUR NE PEUT ÊTRE TENU RESPONSABLE DE DOMMAGES ACCESSOIRES OU CONSÉCUTIFS (Y COMPRIS, MAIS SANS S'Y LIMITER, LA RESPONSABILITÉ DE PERTE DE PROFITS) DÉCOULANT DE LA VENTE OU DE L'UTILISATION DE CE PRODUIT. CERTAINS ÉTATS DES ÉTATS-UNIS ET CERTAINES PROVINCES CANADIENS NE PERMETTENT PAS L'EXCLUSION OU LA LIMITATION DE DOMMAGES ACCESSOIRES OU INDIRECTS. IL EST DONC POSSIBLE QUE LA LIMITATION OU L'EXCLUSION CI-DESSUS NE S'APPLIQUE PAS À VOUS.

CETTE GARANTIE LIMITÉE VOUS DONNE DES DROITS SPÉCIFIQUES ET VOUS POUVEZ ÉGALEMENT D'AUTRES DROITS QUI VARIENT D'UN ÉTAT AUX ÉTATS-UNIS, D'UNE PROVINCE AU CANADA ET D'UN PAYS À L'AUTRE.

S'il vous plaît appelez sans frais au: 1-800-791-9458, 1-888-293-0024 (M-F 9h00-17h00 HNE)  
Courriel: support@amerisuninc.com, support@powersmartusa.com

VEUILLEZ CONSERVER TOUTES VOS RÉCEPTIONS ORIGINALES.  
CETTE GARANTIE EST ANNULÉE SANS EUX.

# **CONTENIDO**



|   |    |
|---|----|
| Datos técnicos.....                           | 50 |
| Introducción.....                             | 51 |
| Información de seguridad.....                 | 51 |
| Procedimientos generales de seguridad.....    | 52 |
| Instrucciones de seguridad importantes.....   | 53 |
| Instrucciones de etiqueta de advertencia..... | 55 |
| Conociendo su cortadora de césped.....        | 57 |
| Preparación de la cortadora de césped.....    | 58 |
| Operación.....                                | 60 |
| Mantenimiento.....                            | 63 |
| Almacenamiento.....                           | 66 |
| Solución de problemas.....                    | 67 |
| Vista detallada y lista de piezas.....        | 68 |
| Garantía.....                                 | 73 |

## **DATOS TÉCNICOS**

Cortadora de césped autopropulsada a gas 3 en 1 de 21 pulgadas, Modelo # DB2321SR

|                                      |  |
|--------------------------------------|--|
| Tipo de Motor:                       | 4 tiempos, OHV, cilindro único con sistema de refrigeración por aire forzado |
| Desplazamiento:                      | 170cc  |
| Capacidad del tanque de combustible: | 0.21 Galones   |
| Capacidad de aceite:                 | 16.9 fl.oz   |
| Ancho de corte:                      | 20.5 pulgadas  |
| Altura de corte:                     | 1.5 – 3.9 pulgadas   |
| Ajuste de altura:                    | 6 Posiciones   |
| Tipo de unidad:                      | Autopropulsada   |
| Capacidad del recolector de hierba:  | 1.4 Bushels  |
| Neumáticos:                          | Delantero: 7 pulgadas / trasero: 8 pulgadas                                  |
| Dimensiones del paquete (L x ax A):  | 33.3 x 22.6 x 17.3 pulgadas  |
| Peso:                                | 66.3 libras  |

## **INTRODUCCIÓN**

Gracias por comprar un producto PowerSmart®. Este manual proporciona información sobre la operación segura y el mantenimiento de este producto. Se ha hecho todo lo posible para garantizar la precisión de la información en este manual. PowerSmart® se reserva el derecho de cambiar este producto y especificaciones en cualquier momento sin previo aviso.

Mantenga este manual a disposición de todos los usuarios durante toda la vida útil de la cortadora de césped.



Este manual contiene mensajes especiales para llamar la atención sobre posibles problemas de seguridad, daños a la cortadora de césped, así como información útil de operación y servicio. Lea toda la información detenidamente para evitar lesiones y daños a la máquina.

### **¿PREGUNTAS? ¿PROBLEMAS?**

Comuníquese con nuestro Departamento de Servicio al Cliente con cualquier pregunta y/o comentario que surja, ya sea por correo electrónico: support@amerisuninc.com, o llamada gratuita al (800) 791-9458. Estamos disponibles de lunes a viernes de 9 a.m. a 5 p.m. Horario Estándar del Este para ayudarlo a resolver cualquier problema que pueda encontrar.

### **AVISO SOBRE EMISIONES**

Los motores que están certificados para cumplir con las regulaciones de emisiones de la Agencia Estatal de Protección Ambiental de los Estados Unidos para SORE (Equipos pequeños todoterreno), están certificados para operar con gasolina regular sin plomo y pueden incluir los siguientes sistemas de control de emisiones: (EM) Modificaciones del motor y (TWC) Tres -Catalizador de vías (de estar equipado).

## **INFORMACIÓN DE SEGURIDAD**

Antes de operar esta cortadora de césped, lea y observe todas las advertencias, precauciones e instrucciones en la cortadora de césped y en este Manual de Instrucciones.

NOTA: La siguiente información de seguridad no está destinada a cubrir todas las condiciones y situaciones posibles que puedan ocurrir. Lea todo el Manual de Instrucciones para obtener instrucciones de seguridad y operación. El incumplimiento de las instrucciones y la información de seguridad puede provocar lesiones graves o la muerte.

Este símbolo de alerta de seguridad se utiliza para identificar información de seguridad sobre peligros que pueden provocar lesiones personales.



Se utiliza una palabra de advertencia (PELIGRO, ADVERTENCIA o PRECAUCIÓN) con el símbolo de alerta para indicar la probabilidad y la posible gravedad de la lesión. Adicionalmente, un símbolo de peligro puede ser utilizado para representar el tipo de peligro.

**PELIGRO** indica un peligro que, si no se evita, provocará la muerte o lesiones graves.

**ADVERTENCIA** indica un peligro que, si no se evita, podría provocar la muerte o lesiones graves.

**PRECAUCIÓN** indica un peligro que, si no se evita, podría provocar lesiones leves o moderadas.

**PRECAUCIÓN** cuando se usa sin el símbolo de alerta, indica una situación que podría provocar daños en el motor.

## **PROCEDIMIENTOS GENERALES DE SEGURIDAD**

Para cualquier pregunta relacionada con los avisos de peligro y seguridad enumerados en este manual o en el producto, llame al (800) 791-9458 de lunes a viernes de 9 a 5 Horario Estándar del Este antes de usar el motor.



### **PELIGRO: MONÓXIDO DE CARBONO**

Usar un motor en interiores PUEDE MATARLO EN MINUTOS. El escape del motor contiene monóxido de carbono (CO). Este es un gas venenoso que no puede ver ni oler. Si puede oler el escape del motor, está respirando CO. Pero incluso si no puede oler el escape, podría estar respirando CO.

NUNCA use un motor dentro de casas, garajes, espacios de acceso u otras áreas parcialmente cerradas. Se pueden acumular niveles mortales de monóxido de carbono en estas áreas. El uso de un ventilador o la apertura de ventanas y / o puertas NO ventilarán adecuadamente el CO ni suministrarán aire fresco adecuado. SOLO use un motor afuera y lejos de ventanas, puertas y conductos de ventilación. Estas aberturas pueden tirar del escape del motor.

Incluso si usa un motor correctamente, el CO puede filtrarse dentro de la casa. SIEMPRE use una alarma de CO alimentada por batería o con respaldo de batería en el hogar. Si comienza a sentirse enfermo, mareado o débil después de que el motor ha estado funcionando, salga al aire fresco INMEDIATAMENTE. Consulte a un médico. Puede tener envenenamiento por monóxido de carbono.

**ADVERTENCIA:** El escape de este producto contiene sustancias químicas que el Estado de California reconoce como causante de cáncer, defectos de nacimiento u otros daños reproductivos.

**ADVERTENCIA:** Este motor puede emitir vapores de gasolina altamente inflamables y explosivos, que pueden causar quemaduras graves o incluso la muerte si se enciende. Una llama abierta cercana puede provocar una explosión, incluso si no está directamente en contacto con la gasolina.

- No opere cerca de una llama abierta.
- No fume cerca del motor.
- Siempre opere en una superficie firme y nivelada.
- Siempre apague el motor antes de repostar. Deje que el motor se enfríe durante al menos 2 minutos antes de quitar la tapa de combustible. Afloje la tapa lentamente para aliviar la presión en el tanque.
- No sobrellene el tanque de combustible. La gasolina puede expandirse durante la operación. No llene hasta la parte superior del tanque. Deje espacio para permitir la expansión.
- Siempre verifique si hay combustible derramado antes de operar.
- Vacíe el tanque de combustible y la taza del carburador antes de almacenar o transportar el motor.

**ADVERTENCIA:** Este motor produce calor cuando funciona. Las temperaturas cerca del escape pueden exceder los 150°F (65°C).

No toque las superficies calientes. Preste atención a las etiquetas de advertencia en el motor que identifican las partes calientes de la máquina.

Después de uso, permita que el motor se enfríe antes de tocar el motor o las áreas del motor que se calientan durante el uso.

**PRECAUCIÓN:** El mal uso de este motor puede dañarlo o acortar su vida útil. Solo use el motor para los fines previstos.

# **INSTRUCCIONES DE SEGURIDAD IMPORTANTES**

Esta máquina es capaz de amputar manos y pies, y arrojar objetos. El incumplimiento de las siguientes instrucciones de seguridad puede provocar lesiones graves o la muerte.

## **I. FUNCIONAMIENTO GENERAL**

1. Lea, comprenda y siga las instrucciones y advertencias de este manual y de la máquina, el motor y los accesorios.
2. Solo permita que los operadores, responsables, capacitados, familiarizados con las instrucciones y físicamente capaces operen la máquina.
3. No transporte pasajeros y manténgalo alejado de los espectadores.
4. No opere la máquina bajo la influencia del alcohol o las drogas.
5. Siga las recomendaciones del fabricante para los pesos de las ruedas o contrapesos.

## **II. PREPARACIÓN ANTES DE OPERAR**

1. Limpie el área de operación de cualquier objeto que pueda ser arrojado o interferir con la operación de la máquina
2. Mantenga el área de operación libre de espectadores, especialmente niños pequeños. Detenga la máquina y los accesorios si alguien entra en la zona.
3. No opere la máquina sin todo el recolector de césped, la tolva de descarga u otros dispositivos de seguridad en su lugar y funcionando correctamente. Verifique con frecuencia si hay signos de desgaste o deterioro y reemplácelos según sea necesario.
4. Use equipo de protección personal apropiado, como anteojos de seguridad, protección auditiva y calzado.

## **III. FUNCIONAMIENTO**

1. Solo opere el motor en áreas bien ventiladas. Los gases de escape contienen monóxido de carbono, el cual es un veneno mortal.
2. Solo opere la máquina a la luz del día o con buena luz artificial.
3. Evite agujeros, surcos, golpes, rocas u otros peligros ocultos. Un terreno irregular podría volcar la máquina o hacer que el operador pierda el equilibrio o base.
4. No coloque las manos o los pies cerca de piezas giratorias o debajo de la máquina. Manténgase alejado de la abertura de descarga en todo momento.
5. No dirija el material de descarga hacia nadie. Evite descargar material contra una pared u obstrucción. El material puede rebotar hacia el operador. Detenga la (s) cuchilla (s) cuando cruce superficies de grava.
6. No deje una máquina en funcionamiento desatendida. Siempre estacione en terreno nivelado, desacople el accesorio, ponga el freno de estacionamiento y pare el motor.
7. No corte al revés a menos que sea absolutamente necesario. Siempre mire hacia abajo y hacia atrás antes y mientras retrocede.

## **IV. CONSIDERACIONES ESPECIALES PARA NIÑOS**

1. Pueden ocurrir accidentes trágicos si el operador no está alerta a la presencia de niños. Los niños a menudo se sienten atraídos por la máquina y la actividad de corte. Nunca asuma que los niños permanecerán donde los vio por última vez.
2. Mantenga a los niños fuera del área de operación y bajo el cuidado vigilante de un adulto responsable que no sea el operador.

## **V. COSIDERACIONES ESPECIALES PARA PENDIENTES**

**Las pendientes son un factor importante relacionado con los accidentes. La operación en pendientes requiere precaución adicional.**

1. Viaje en la dirección sugerida por el fabricante en pendientes. Tenga precaución al operar cerca de pendientes.
2. Evite cortar el césped mojado (una mala base puede causar un accidente de resbalón y caída).
3. No opere la máquina bajo ninguna condición donde la tracción, la dirección o la estabilidad estén en duda. Los neumáticos podrían deslizarse incluso si las ruedas están paradas.
4. Siempre mantener la máquina en marcha cuando las pendientes. No marche cuesta abajo.
5. Evite comenzar y detenerse en pendientes. Evite hacer cambios repentinos en la velocidad o dirección. Gire lento y gradualmente
6. Tenga mucho cuidado al operar la máquina con un recolector de césped u otro (s) accesorio (s), ya que pueden afectar la estabilidad de la máquina.

## **VI. COSIDERACIONES ESPECIALES PARA FUEGO Y COMBUSTIBLE**

1. Extinga todos los cigarrillos, cigarros, pipas y otras fuentes de ignición.
2. Utilice solamente contenedor de combustible aprobado.
3. No quite la tapa de combustible ni agregue combustible con el motor en marcha o mientras esté caliente.
4. No recargue combustible en interiores o en espacios cerrados
5. No almacene la máquina o el contenedor de combustible, ni recargue combustible, donde haya una llama abierta, chispa o luz piloto como en un calentador de agua u otro electrodoméstico.
6. Si se derrama combustible, no intente arrancar el motor y evite crear cualquier fuente de ignición hasta que los vapores de combustible se hayan disipado.
7. Para ayudar a prevenir incendios: mantenga la máquina libre de hierba, hojas u otros residuos acumulados; limpie el aceite o el combustible derramado y elimine los restos empapados de combustible; deje que la máquina se enfríe antes de almacenarla.
8. Tenga mucho cuidado al manipular gasolina y otros combustibles, son inflamables y los vapores son explosivos.

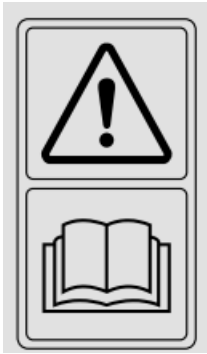
## **VII. TRANSPORTACIÓN**

1. Use rampas de ancho completo para cargar y descargar una máquina para el transporte.

## **VIII. SERVICIO**

1. Mantenga la máquina en buen estado de funcionamiento. Reemplace las piezas desgastadas o dañadas.
2. Tenga precaución al dar servicio a las cuchillas. Envuelva la (s) cuchilla (s) o use guantes. Reemplace las cuchillas dañadas. No repare ni altere las cuchillas
3. Máquinas con bombas hidráulicas, mangueras o motores; y / o sistemas de inyección diesel:  
ADVERTENCIA: El fluido que escapa bajo presión puede tener suficiente fuerza para penetrar en la piel y causar lesiones graves. Si se inyecta líquido en la piel, busque atención médica inmediata. Mantenga el cuerpo y las manos alejados de los orificios o boquillas que expulsan el fluido a alta presión. Si se produce una fuga, haga que un técnico capacitado repare la máquina inmediatamente.
4. Si está equipado, desconecte los cables de la bujía antes de hacer cualquier reparación.

## INSTRUCCIONES DE ETIQUETA DE ADVERTENCIA



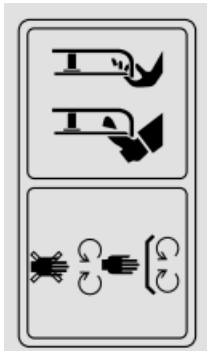
Lea atentamente el manual antes de usar.



Peligro, objetos voladores;

Mantenga una distancia segura de la máquina mientras el motor esté funcionando.

No abra ni quite los protectores de seguridad mientras el motor está funcionando.



Preste más atención a las manos y pies del operador para evitar lesiones.

No abra ni quite los protectores de seguridad mientras el motor está funcionando.



El combustible es inflamable, mantenga el fuego alejado.

Nunca llene el tanque de combustible mientras el motor está funcionando.



Emisión de gases tóxicos, no use la cortadora de césped en un área cerrado o que no esté bien ventilado.





Mire hacia atrás mientras retrocede

Peligro en pendientes pronunciadas



Al cortar, use los anteojos y tapones para los oídos para proteger al operador

Superficies calientes



Al cortar, use los anteojos y tapones para los oídos para proteger al operador

Mantenga a los espectadores alejados.

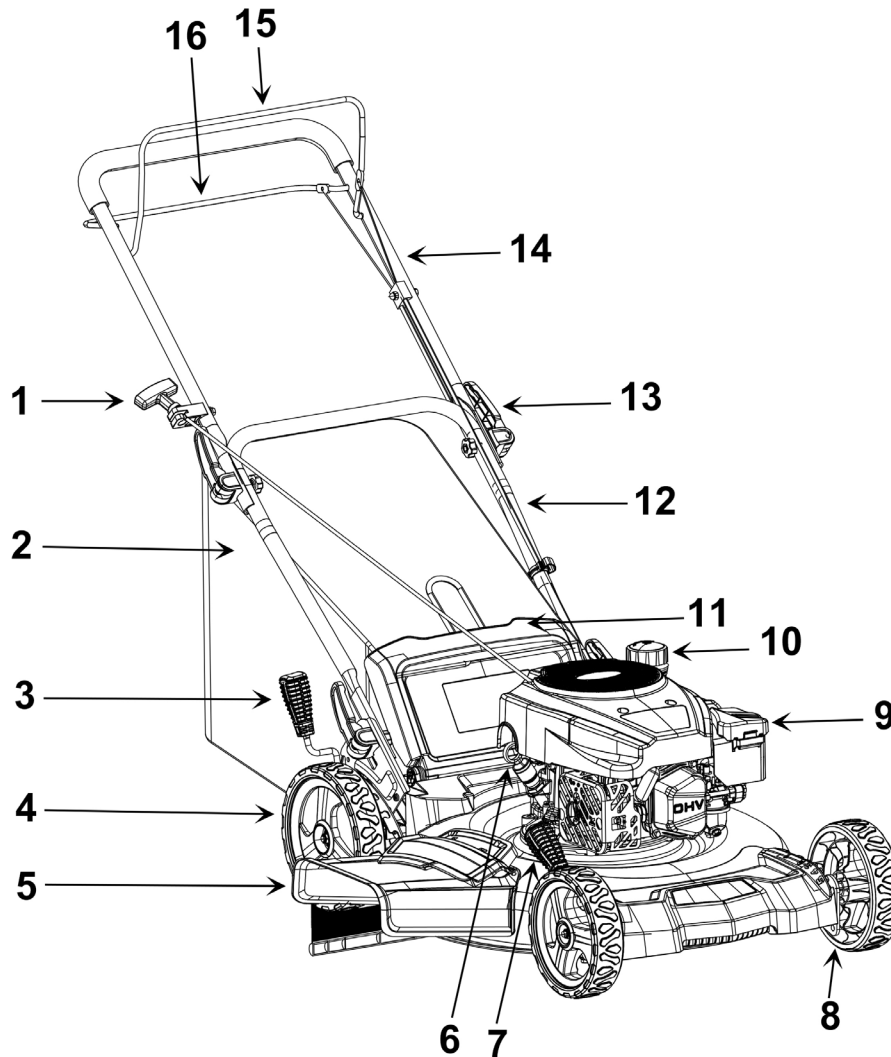


Etiqueta de seguridad que se encuentra en la cortadora de césped:  
MANTENGA LAS MANOS Y LOS PIES LEJOS.

**Advertencia:** Mantenga las señales de seguridad claras y visibles en el equipo. Reemplace las señales de seguridad si faltan o son ilegibles.

## CONOCIENDO SU CORTADORA DE CÉSPED

Utilice la siguiente ilustración para familiarizarse con la ubicación y la función de los componentes que controlan su cortadora de césped.



|   |                                      |    |                                      |
|---|--------------------------------------|----|--------------------------------------|
| 1 | Mango de arranque de retroceso       | 9  | Bombilla de imprimación              |
| 2 | Colector de hierba                   | 10 | Tapón del depósito de combustible    |
| 3 | Palanca de ajuste de altura de corte | 11 | Puerta de descarga trasera           |
| 4 | Rueda trasera                        | 12 | tubo inferior                        |
| 5 | Tolva de descarga lateral            | 13 | Mango plegable                       |
| 6 | Varilla de aceite                    | 14 | Tubo superior                        |
| 7 | Palanca de ajuste de altura de corte | 15 | Control de arranque/parada del motor |
| 8 | Rueda delantera                      | 16 | Barra de control de conducción       |

# PREPARACIÓN DE LA CORTADORA DE CÉSPED

La siguiente sección describe los pasos necesarios para preparar el cortacésped para su uso. Si después de leer esta sección, no está seguro de cómo realizar alguno de los pasos, llame al (800)791-9458 de lunes a viernes de 9 a 5 horatrio estándar del este para obtener servicio al cliente. Si no realiza estos pasos correctamente, puede dañar la cortadora de césped o acortar su vida útil.

## DESEMBALAJE

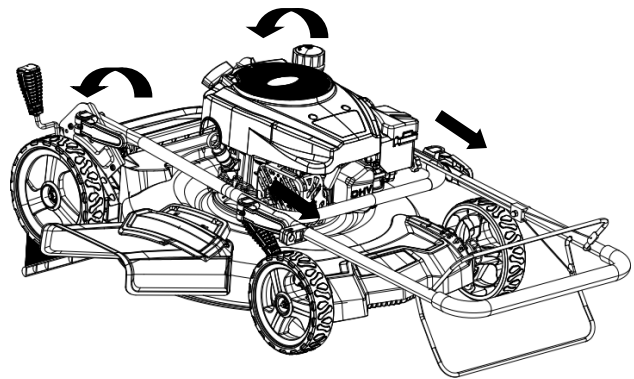
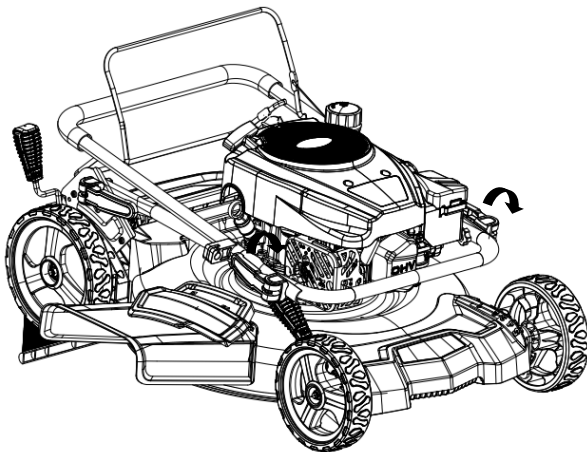
Desembale la cortadora de césped y todas sus partes y compárelo con la lista a continuación. No deseche el cartón ni ningún embalaje hasta que el motor esté completamente ensamblado.

## PACKING LIST

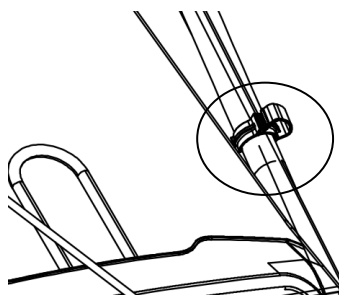
Conducto de descarga lateral\*1  
Colector de hierba \* 1  
Clip de cable \* 1  
Llave de bujía \* 1  
manual de usuario \* 1  
Embudo \* 1  
Aceite 10W-30\*1

## ASSEMBLE LOWER & UPPER TUBE

1. Saque el cortacésped plegado de la caja exterior.
2. Bloquee la manija plegable entre el tubo superior y el tubo inferior, así como el tubo inferior y el asiento trasero.

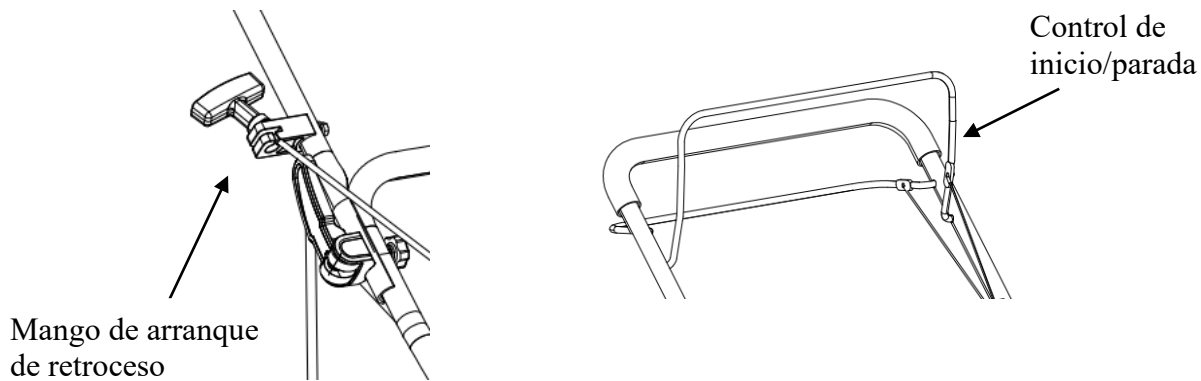


3. Bloquee el cable al tubo inferior usando un clip para cable.



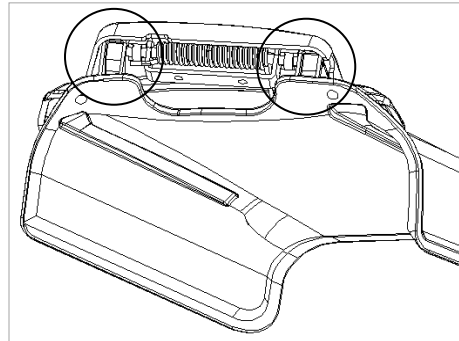
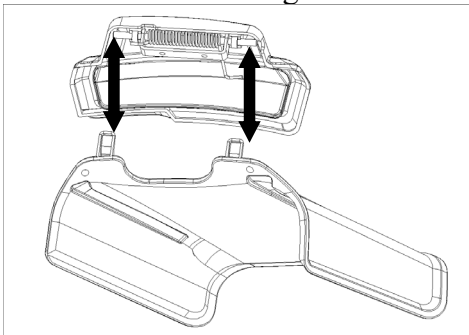
Clip de cable

4. Inserte el cable del mango del arrancador de retroceso en el gancho provisto en el mango superior. Debe activar el control de arranque/parada para soltar la manija del arrancador de retroceso.



## CONDUCTO DE DESCARGA LATERAL

1. Levante la cubierta de descarga con resorte ubicada en el costado de la cortadora.
2. Deslice dos ganchos del conducto de descarga lateral debajo del pasador de bisagra y baje el resorte en la cubierta de descarga lateral.



**Precaución:** No intente quitar la cubierta de descarga lateral con resorte permanente montada permanentemente en ningún momento.

## RECOLECTOR DE HIERBA

### Adjuntar colector de hierba

1. Levante la puerta de descarga trasera de la cortadora de césped.
2. Coloque el recogedor de hierba en las ranuras de los soportes del mango.
3. Libere la puerta de descarga trasera para que descansa sobre el recogedor de hierba.

## AJUSTE DE LA ALTURA DE CORTE



**¡ Advertencia! ¡** Los ajustes de altura de corte solo deben realizarse después de que el motor y las cuchillas se hayan detenido por completo!

Siempre es mejor comenzar a cortar el césped con una altura de cubierta más alta para evitar escalar el césped. La altura de corte se ajusta con palancas delanteras y traseras.

Accione la palanca de ajuste y tire de ella a la posición requerida. Asegúrese de que la palanca se bloquee en la misma posición.

## **FUNCIONAMIENTO**

### **RELLENO DE GAS Y ACEITE**

El motor se entrega sin aceite ni gasolina. Asegúrese de agregar aceite y gasolina antes de arrancar el motor.

1. Agregue aceite antes de arrancar la cortadora de césped por primera vez.
2. Mantenga el motor con gasolina según las instrucciones.



**Advertencia:** Tenga mucho cuidado al manipular gasolina. La gasolina es extremadamente inflamable y sus vapores son explosivos. Nunca alimente la máquina en interiores o mientras el motor esté caliente o funcionando. Extinga todos los cigarrillos, cigarros, pipas y otras posibles fuentes de ignición.

#### **Aceite de Motor**

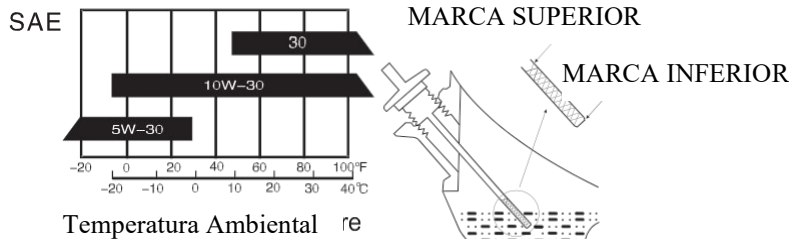
El aceite del motor es un factor clave para decidir el rendimiento del motor. No aplique aceite de motor con aditivos o aceite de motor de gasolina de 2 tiempos, ya que no tendrá suficiente lubricación y podrá acortar la vida útil del motor.



**Verifique el motor con la máquina parada en un terreno nivelado.**

Aceite de motor recomendado: 10W-30

Como la viscosidad varía con las regiones y las temperaturas, se recomienda aceite de clase SF.

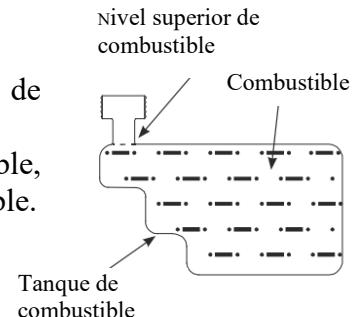


#### **Método de verificación**

1. Retire la varilla medidora y límpiela.
2. Vuelva a insertar la varilla medidora en el orificio de llenado de aceite sin atornillar la palanca de control de aceite.
3. Si el nivel de aceite es demasiado bajo, agregue el aceite de motor recomendado hasta el nivel superior de aceite
4. Vuelva a instalar la varilla medidora.

#### **Agregar Gasolina**

1. Retire la tapa del tanque de combustible y verifique el nivel de combustible.
2. Si el nivel es demasiado bajo, reabastezca el tanque de combustible, recuerde agregar combustible no sobre el nivel superior de combustible.





### **Advertencia:**

1. La gasolina es extremadamente inflamable y es explosiva bajo ciertas condiciones.
2. Reabastezca el combustible en un área bien ventilada con el motor parado. No fume ni permita llamas o chispas en el área donde se almacena la gasolina o donde se recarga el tanque de combustible.
3. No llene demasiado el tanque de combustible (no debe haber combustible en el cuello de llenado). Después de repostar, asegúrese de que la tapa del tanque de combustible esté colocada de nuevo de forma segura.
4. Tenga cuidado de no derramar combustible al repostar. El combustible derramado o el vapor de combustible pueden encenderse. Si se derrama combustible, asegúrese de que el área esté seca antes de arrancar el motor.
5. Evite el contacto repetido o prolongado con la piel o la respiración de vapor de combustible. Mantener fuera del alcance de los niños.

Use gasolina nueva (dentro de los 30 días posteriores a la compra) sin plomo con un mínimo de 87 octanos. No mezcle aceite con gasolina.

Para agregar gasolina, siga estos pasos:

1. Asegúrese de que la cortadora de césped esté en una superficie nivelada.
2. Desatornille la tapa del tanque de combustible y reserve. **NOTA:** La tapa del combustible puede estar apretada y difícil de desenroscar.
3. Agregue lentamente gasolina sin plomo al tanque de combustible. Ten cuidado de no derramar. La capacidad del tanque de combustible es de 0.21 galones.

**NOTA:** No llene el tanque de combustible hasta la parte superior. La gasolina se expandirá y se derramará durante el uso, incluso con la tapa de combustible en su lugar.

4. Vuelva a instalar la tapa del combustible y limpie la gasolina derramada con un paño seco.

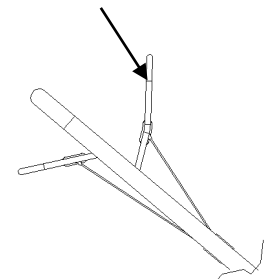
### **IMPORTANTE:**

- Nunca use una mezcla de aceite / gasolina.
- Nunca use gasolina vieja.
- Evite introducir suciedad o agua en el tanque de combustible.
- La gasolina puede envejecer en el tanque y dificultar el arranque. Nunca almacene la cortadora de césped durante períodos prolongados con combustible en el tanque o el carburador.

### **CONTROL DE ARRANQUE / PARADA DEL MOTOR**

Esta cortadora de césped viene equipada con un control de arranque / parada del motor para evitar arranques involuntarios y garantizar un funcionamiento seguro. Al soltar esta palanca, la cuchilla se detendrá rápidamente en caso de peligro. La palanca debe accionarse antes de arrancar la cortadora de césped. Cuando se suelta el control de arranque / parada del motor, debe volver a su posición inicial.

Control de arranque / parada del motor



Antes de empezar a cortar el césped, debe realizar este proceso varias veces para asegurarse de que la palanca y los cables del actuador funcionan correctamente.

Repita la prueba varias veces después de que el motor haya arrancado. Cuando se suelta la palanca de arranque / parada del motor, el motor debe detenerse en unos pocos segundos. Si no es así, comuníquese con el Servicio al cliente.



**Advertencia:** la cuchilla comienza a girar tan pronto como se arranca el motor.

## ENCENDER EL MOTOR

Para arrancar el motor, realice los siguientes pasos:

1. Compruebe los niveles de aceite y combustible.
2. Presione el cebador 3 veces.
3. Active el control de arranque / parada del motor y, simultáneamente, tire del arrancador de retroceso. Tire lentamente la manija del arrancador de retroceso hasta que sienta una ligera resistencia, luego jale rápidamente para arrancar el motor.
4. Regrese el cable suavemente al arrancador de retroceso. Nunca permita que el cable retroceda.
5. Si el motor no arranca, repita el paso 3.

**NOTA:** Después de repetidos intentos fallidos de arrancar el motor, consulte la guía de solución de problemas antes de intentar nuevamente. Si los problemas persisten, llame al servicio al cliente.

**NOTA:** No permita que la empuñadura de arranque se golpee contra el motor. Devuélvalo suavemente para evitar daños al motor de arranque.

## DETENGA EL MOTOR

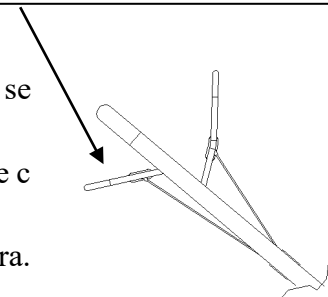
Suelte el control de arranque / parada del motor para detener el motor.

Barra de control /de mando

## BARRA DE CONTROL DE MANDO

Si presiona la barra de control de la transmisión, el embrague de la transmisión se cerrará y la cortadora de césped comenzará a moverse con el motor en marcha.

Suelte la barra de control de la transmisión a tiempo para detener la cortadora de césped en movimiento. Practique iniciar y parar antes de usar la cortadora de césped por primera vez hasta que esté familiarizado con el control de la cortadora.



## CORTE

El acelerador del motor de su cortadora de césped se ha configurado para proporcionar un rendimiento óptimo de embolsado y mulching en los años venideros.

Solo use una cuchilla afilada que esté en buenas condiciones. Esto evitará que las hojas de hierba se deshilachen y el césped se vuelva amarillo.

Corte en líneas rectas para una apariencia agradable y limpia. Las franjas deben superponerse unas pocas pulgadas para evitar rayas.

Es importante mantener limpia la parte inferior de la plataforma del cortacésped y eliminar la acumulación de césped.

Siempre corte a lo largo de las pendientes (no hacia arriba y hacia abajo). Puede evitar que la cortadora de césped se deslice hacia abajo manteniendo una posición inclinada hacia arriba. Seleccione la altura de corte de acuerdo con la longitud del césped. Si es necesario, corte varias veces para que nunca corte más de 2 pulgadas de hierba de una vez.

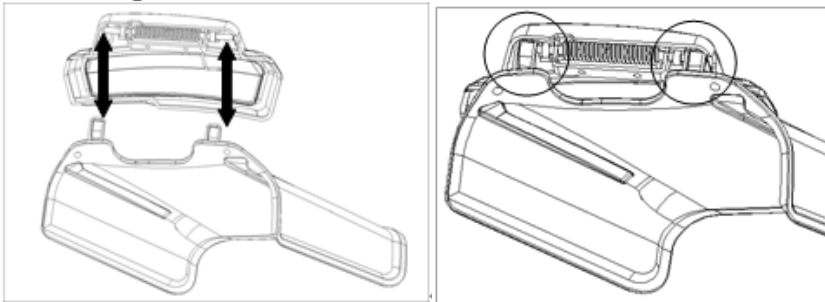
Apague el motor antes de hacer cualquier verificación en la cuchilla. Tenga en cuenta que la cuchilla continúa girando durante unos segundos después de apagar el motor. Nunca intente detener manualmente la cuchilla. Verifique regularmente si la cuchilla está bien sujeta, si está en buenas condiciones y si está afilada. Si ocurre lo contrario, afile la cuchilla o reemplácela. En caso de que la cuchilla golpee un objeto, apague inmediatamente la

cortadora de césped y espere a que la cuchilla se detenga por completo. Luego inspeccione el estado de la cuchilla y el montaje de la cuchilla. Reemplace cualquier pieza que esté dañada.

### **USO COMO DESCARGA LATERAL**

Debe cerrar la cubierta posterior con el adaptador acolchado para poder utilizar la descarga lateral.

1. En el lado de la cortadora de césped, levante la cubierta de descarga lateral.
2. Deslice dos ganchos del canal de descarga lateral debajo del pasador de bisagra en la cubierta de descarga lateral. Baje la cubierta de descarga lateral.



**Precaución:** No retire la cubierta de descarga lateral en ningún momento.

### **USO COMO RECOLECTOR TRASERO**

Para usar el recolector de césped para recolectar recortes mientras está operando la cortadora.

1. Adjunte el recolector de césped siguiendo las instrucciones indicadas para la preparación de la cortadora de césped. Los recortes de césped se acumularán automáticamente en la bolsa mientras opera la cortadora de césped. Opere el cortacésped hasta que el recogedor de césped esté lleno.
2. Pare completamente el motor soltando la palanca de arranque / parada del motor. Asegúrese de que el motor se haya detenido por completo.
3. Levante la puerta de descarga trasera y tire del recogedor de hierba hacia arriba y hacia afuera de la cortadora de césped para retirar el recogedor de hierba. Deseche los recortes de césped y vuelva a instalar el recolector de césped cuando haya terminado.



**Advertencia:** Si golpea un objeto extraño, pare el motor. Retire el cable de la bujía, inspeccione minuciosamente la cortadora de césped en busca de daños y repare los daños antes de reiniciarlo y pongalo en funcionamiento. La vibración excesiva de la cortadora de césped durante el funcionamiento es una indicación de daño. La cortadora de césped debe inspeccionarse y repararse puntualmente.

## **MANTENIMIENTO**

El mantenimiento de rutina adecuado de esta cortadora de césped ayudará a prolongar la vida útil de la máquina.

Observe siempre las reglas de seguridad al realizar cualquier mantenimiento.

La garantía de esta cortadora de césped no cubre artículos que hayan sido objeto de abuso o negligencia por parte del operador. Para recibir la válvula completa de la garantía, el operador debe mantener la cortadora de césped como se indica aquí.

El cambio de la velocidad gobernada por el motor anulará la garantía del motor.



Todos los ajustes deben verificarse al menos una vez por temporada.

Revise periódicamente todos los sujetadores y asegúrese de que estén apretados.



**Advertencia:** siempre pare el motor, deje que el motor se enfríe, desconecte el cable de la bujía antes de realizar cualquier tipo de mantenimiento en su máquina.

### **CUIDADO DE LA CUBIERTA**

Es importante limpiar la parte inferior de la plataforma del cortacésped después de su uso para evitar la acumulación de recortes de césped u otros desechos. Siga los pasos a continuación para una limpieza adecuada.

1. Permita que el motor funcione hasta que se quede sin combustible. No intente verter combustible del motor.
2. Desconecte el cable de la bujía. Consulte el manual del operador del motor.
3. Inclíne lentamente la cortadora de césped para que descansa sobre la carcasa.
4. Para evitar derrames de aceite, incline siempre la cortadora de césped para que el filtro de aire quede hacia arriba.
5. Sostenga la cortadora de césped firmemente y raspe y limpie la parte inferior de la plataforma con una herramienta adecuada.
6. Baje suavemente el cortacésped sobre sus ruedas en el suelo.



**Advertencia:** Nunca incline el cortacésped más de 90 ° en ninguna dirección y no lo deje inclinado por ningún período de tiempo. El aceite puede drenar en la parte superior del motor y causar un problema de arranque.

### **CUCHILLAS DE LA CORTADORA DE CÉSPED**

Para garantizar un funcionamiento seguro, haga que un centro de servicio autorizado realice todos los trabajos de afilado, equilibrio y montaje de la cuchilla. Para lograr resultados óptimos, recomendamos que revise la cuchilla una vez al año.

Si, a pesar de todas las precauciones, la cuchilla entra en contacto con un obstáculo, apague el motor inmediatamente y retire el conector de la bujía. Inclíne la cortadora de césped hacia atrás y verifique que la cuchilla no esté dañada. Mantenga siempre el lado con el filtro de aire hacia arriba. Las cuchillas dañadas o dobladas deben ser reemplazadas. Nunca enderecer una hoja doblada. Nunca trabaje con cuchillas dobladas o muy desgastadas, ya que esto provocará vibraciones, causando más daños al cortacésped.



**Advertencia:** Riesgo de lesiones al trabajar con una cuchilla dañada.

### **COMPROBACIÓN DEL ACEITE**

La capacidad de aceite del cárter del motor es de 16.9 fl. onz.

Verifique el nivel de aceite del motor de acuerdo con el Programa de mantenimiento recomendado.

La cortadora de césped debe verificarse antes de cada uso para determinar el nivel de aceite adecuado. Este es un paso crítico para el correcto arranque del motor.

Para verificar el nivel de aceite:

1. Asegúrese de que la cortadora de césped esté en una superficie nivelada.
2. Limpie alrededor del relleno de aceite. Retire la varilla y limpie la varilla con un trapo limpio. Inserte la varilla medidora en la abertura de llenado de aceite sin enroscarla. Retire la varilla medidora para verificar la marca de aceite. Agregue aceite si la marca de aceite cubre menos de la mitad de la varilla medidora.

3. Agregue lentamente más aceite y repita el paso 2 hasta que la marca de aceite llegue a la parte superior de la varilla medidora. No sobrecargue el cárter.
4. Vuelva a instalar la varilla medidora de aceite.

### **CAMBIO / AGREGAR ACEITE**

Cambie el aceite de acuerdo con el Programa de mantenimiento recomendado. Cambie el aceite cuando el motor esté caliente. Esto permitirá un drenaje completo. Cambie el aceite con mayor frecuencia si opera bajo carga pesada o altas temperaturas ambientales. También es necesario drenar el aceite del cárter si se ha contaminado con agua o suciedad. La capacidad de aceite del motor es de 16.9 fl. onz. Agregue aceite cuando el nivel de aceite sea bajo. Para conocer el tipo y peso adecuados de aceite, consulte la sección "LLENADO DE GAS Y ACEITE" de la sección "OPERACIÓN".

#### **Para rellenar el cárter con aceite, siga estos pasos:**

1. Asegúrese de que la cortadora de césped esté en una superficie nivelada. Inclinar la cortadora de césped para ayudar en el llenado hará que el aceite fluya hacia las áreas del motor y causará daños. ¡Mantenga nivelada la cortadora de césped!
2. Retire la varilla medidora del motor.
3. Usando un embudo o dispensador apropiado, agregue la cantidad correcta de aceite (16.9 fl. Oz) en el cárter.
4. Vuelva a instalar la varilla medidora.

**NOTA:** Nunca deseche el aceite de motor usado en la basura o en un desagüe. Llame a un centro de reciclaje local o al garaje de automóviles para organizar la eliminación del aceite.

### **MANTENIMIENTO DEL FILTRO DE AIRE**

El mantenimiento de rutina del filtro de aire ayuda a mantener el flujo de aire adecuado al carburador. Ocasionalmente verifique que el filtro de aire no tenga suciedad excesiva. Consulte el programa de mantenimiento recomendado. Para detalles del filtro de aire:

1. Abra la tapa del filtro de aire.
2. Retire el elemento esponjoso de la carcasa.
3. Limpie la suciedad del interior de la carcasa vacía del filtro de aire.
4. Lave el elemento esponjoso con detergente doméstico y agua tibia. Una pequeña cantidad de aceite en el elemento es normal y necesaria para que el motor funcione correctamente.
5. Si es necesario, reemplace el elemento de papel.
6. Vuelva a instalar el elemento similar a una esponja en la carcasa del filtro de aire y vuelva a instalar la cubierta.

**PRECAUCIÓN:** hacer funcionar el motor con un elemento del filtro de aire sucio, dañado o faltante hará que el motor se desgaste prematuramente.

### **MANTENIMIENTO DE LA BUJÍA**

La bujía es importante para el correcto funcionamiento del motor. Una buena bujía debe estar intacta, libre de depósitos y bien separada. Consulte el programa de mantenimiento recomendado. Para inspeccionar la bujía:

1. Retire la funda de la bujía. Tenga cuidado de no romper el aislamiento o el cable.
2. Desatornille la bujía del motor con la llave para bujías provista. Hay un espacio limitado para que la llave gire. Use ambas hileras de agujeros en la llave de la bujía para obtener palanca para aflojar la bujía.
3. Inspeccione visualmente la bujía en busca de grietas o desgaste excesivo del electrodo. Reemplace según sea necesario.
4. Mida el espacio del enchufe con un calibre de cable. El espacio debe ser de 0.7 a 0.8 mm (0.028-0.031 pulgadas).
5. Si reutiliza la bujía, use un cepillo de alambre para limpiar la suciedad alrededor de la base de la bujía y luego vuelva a abrir la bujía.

6. Atornille la bujía nuevamente en el orificio de la bujía usando la llave para bujías. No apriete demasiado la bujía. El apriete recomendado de la bujía es de  $\frac{1}{2}$  a  $\frac{3}{4}$  de vuelta después de que la junta de la bujía haga contacto con el orificio de la bujía. Vuelva a instalar la funda de la bujía.

## **Programa de mantenimiento**

| Ítem                                | Acción         | Después de cada uso                                | 5 horas de uso o primer mes | Primeras 25 horas de uso | 50 horas de uso o cada 6 meses | 100 horas de uso o cada año | 150 horas de uso o cada dos años |
|-------------------------------------|----------------|--|-----------------------------|--------------------------|--------------------------------|-----------------------------|----------------------------------|
| Cuchilla                            | Inspección     | x  |                             |                          |                                |                             |                                  |
| Perno de montaje de la cuchilla     | Inspección     | x  |                             |                          |                                |                             |                                  |
| Aceite de motor                     | Chequeo        | x  |                             |                          |                                |                             |                                  |
|                                     | Cambio         |  | x                           |                          | x <sup>2</sup>                 | x                           | x                                |
| Filtro de aire                      | Chequeo        | x  |                             |                          |                                |                             |                                  |
|                                     | Limpieza       |  |                             | x <sup>1</sup>           | x <sup>1</sup>                 | x <sup>1</sup>              |                                  |
|                                     | Reemplazo      |  |                             |                          |                                |                             | x                                |
| Operación de control de la cuchilla | Chequeo        | x  |                             |                          |                                | x                           |                                  |
| Bujía                               | Chequeo        |  |                             |                          |                                | x                           |                                  |
|                                     | Reemplazo      |  |                             |                          |                                |                             | x                                |
| Depósito de combustible             | Limpieza       |  |                             |                          |                                | x                           |                                  |
| Pastilla de freno del volante       | Chequeo        |  |                             |                          |                                | x                           |                                  |
| Juego de válvulas                   | Chequeo-ajuste |  |                             |                          |                                | x                           |                                  |
| Línea de combustible                | Chequeo        | Verificar cada 2 años y reemplazar si es necesario |                             |                          |                                |                             |                                  |

1. Realice el servicio con más frecuencia cuando se use en áreas polvorientas.

2. Cambie el aceite del motor cada 25 horas cuando se use bajo una carga pesada o en altas temperaturas del aire exterior.

## **ALMACENAMIENTO**

**PRECAUCIÓN:** Nunca coloque ningún tipo de cubierta de almacenamiento o lona en la CORTADORA DE CÉSPED mientras aún esté caliente.

Si la cortadora de césped se almacena durante largos períodos de tiempo (30 días o más), drene el tanque de combustible y el tazón del carburador.

Cuando guarde la cortadora de césped por períodos de tiempo prolongados:

1. Arranque el motor y hágalo funcionar hasta que el tanque, el tazón del carburador y la línea de combustible estén completamente vacíos y el motor se detenga.
2. Cambie el aceite después de cada temporada.
3. Retire la bujía. Use una lata de aceite para llenar el cilindro con aprox. 2 ml de aceite. Lentamente, tire hacia atrás del mango de arranque, que bañará la pared del cilindro con aceite. Atornille la bujía nuevamente.
4. Limpie las aletas de enfriamiento del cilindro y la carcasa.
5. Asegúrese de limpiar todo el equipo para proteger la pintura.
6. Almacene el equipo en un lugar bien ventilado.

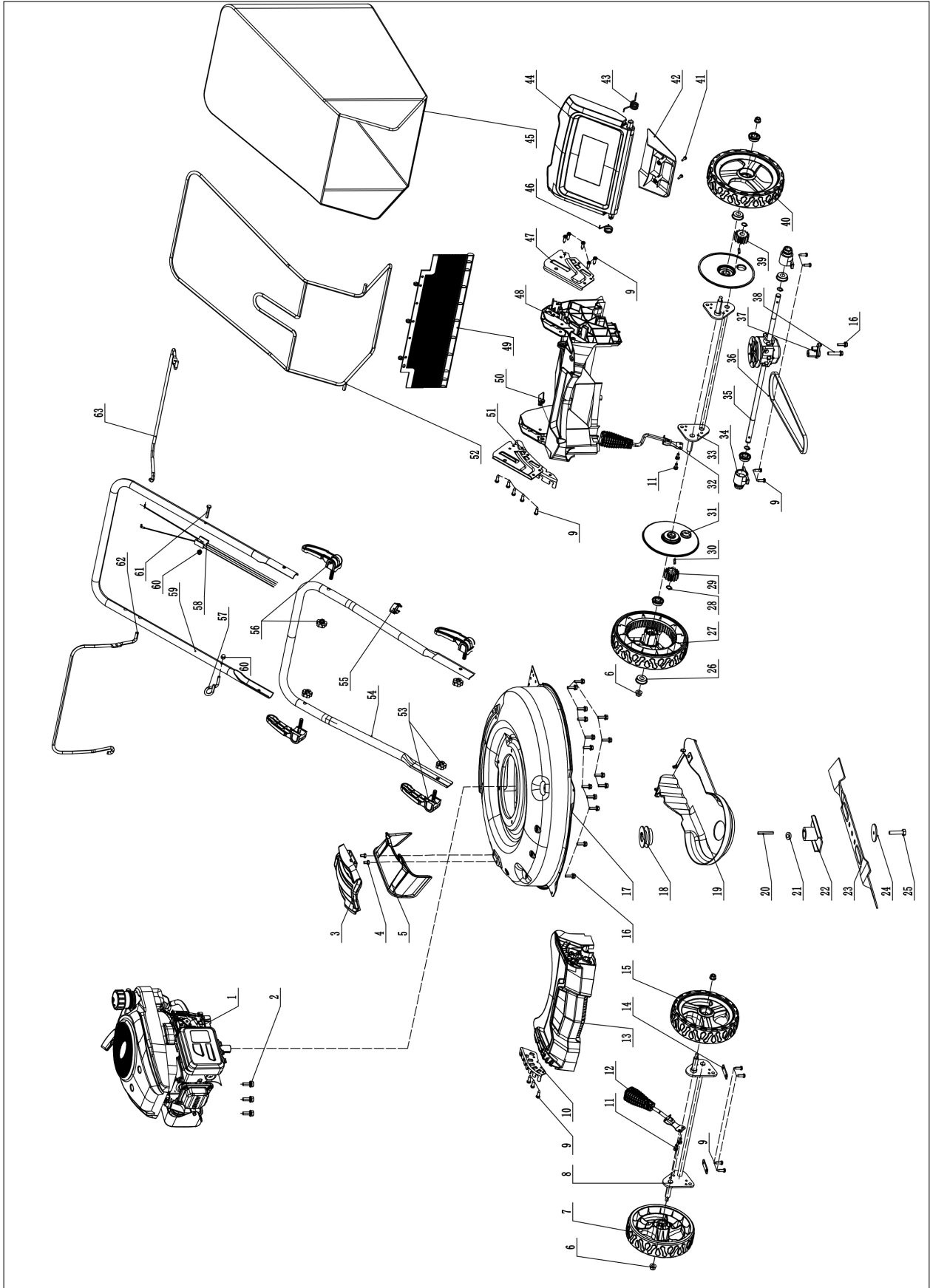
**NOTA: LA GARANTÍA LIMITADA no cubre daños en el sistema de combustible o problemas de rendimiento del motor como resultado de una preparación de almacenamiento descuidada.**

## **SOLUCIÓN DE PROBLEMAS**

| <b>Problema</b>                       | <b>Causa</b>   | <b>Solución</b>  |
|---------------------------------------|--|--|
| El motor no arranca                   | Palanca de arranque / parada del motor desconectada. | Accione la palanca de arranque / parada del motor.   |
|                                       | Cable de la bujía desconectado.                      | Conecte el cable de la bujía.  |
|                                       | Depósito de combustible vacío o combustible rancio.  | Llene el tanque con gasolina limpia y fresca.  |
|                                       | Motor no cebado.                                     | Presione la bombilla de cebado.  |
|                                       | Bujía defectuosa                                     | Limpie, ajuste el espacio o reemplace.   |
|                                       | Línea de combustible bloqueada.                      | Limpie la línea de combustible.  |
|                                       | Motor inundado                                       | Espere unos minutos para reiniciar, no cebe.   |
| El motor funciona de manera errática. | El cable de la bujía está suelto.                    | Conecte y apriete el cable de la bujía.  |
|                                       | Línea de combustible bloqueada o combustible rancio. | Limpie la línea de combustible. Llene el tanque con gasolina limpia y fresca. Drene el tazón del carburador. |
|                                       | Agua o suciedad en el sistema de combustible         | Drene el tanque de combustible. Rellene con combustible nuevo.   |
|                                       | Filtro de aire sucio                                 | Consulte el manual del motor.  |
| El motor se sobrecalienta.            | Nivel de aceite del motor bajo.                      | Llene el cárter con el aceite adecuado.  |
|                                       | Flujo de aire restringido.                           | Limpie el área alrededor y encima del motor.   |
| Mal ralentí.                          | Bujía sucia, defectuosa o espacio demasiado ancho.   | Restablezca el espacio o reemplace la bujía.   |
|                                       | Filtro de aire sucio.                                | Consulte el manual del motor.  |
| Vibración / ruido excesivo            | Hoja suelta o desequilibrada.                        | Apriete y equilibre la cuchilla.   |
|                                       | Cuchilla doblada / dañada.                           | Reemplace la cuchilla.   |
| El cortacésped no cubrirá el césped.  | Hierba mojada.                                       | No corte el césped cuando el césped esté húmedo, espere hasta que esté seco para cortar.                     |

|                 |                            |   |
|-----------------|----------------------------|---|
| Corte desigual. | Césped excesivamente alto. | Corte una vez a una altura de corte alta, luego vuelva a cortar a la altura deseada o haga un camino de corte más estrecho. |
|                 | Cuchilla sin filo.         | Afilar o reemplazar la cuchilla.  |

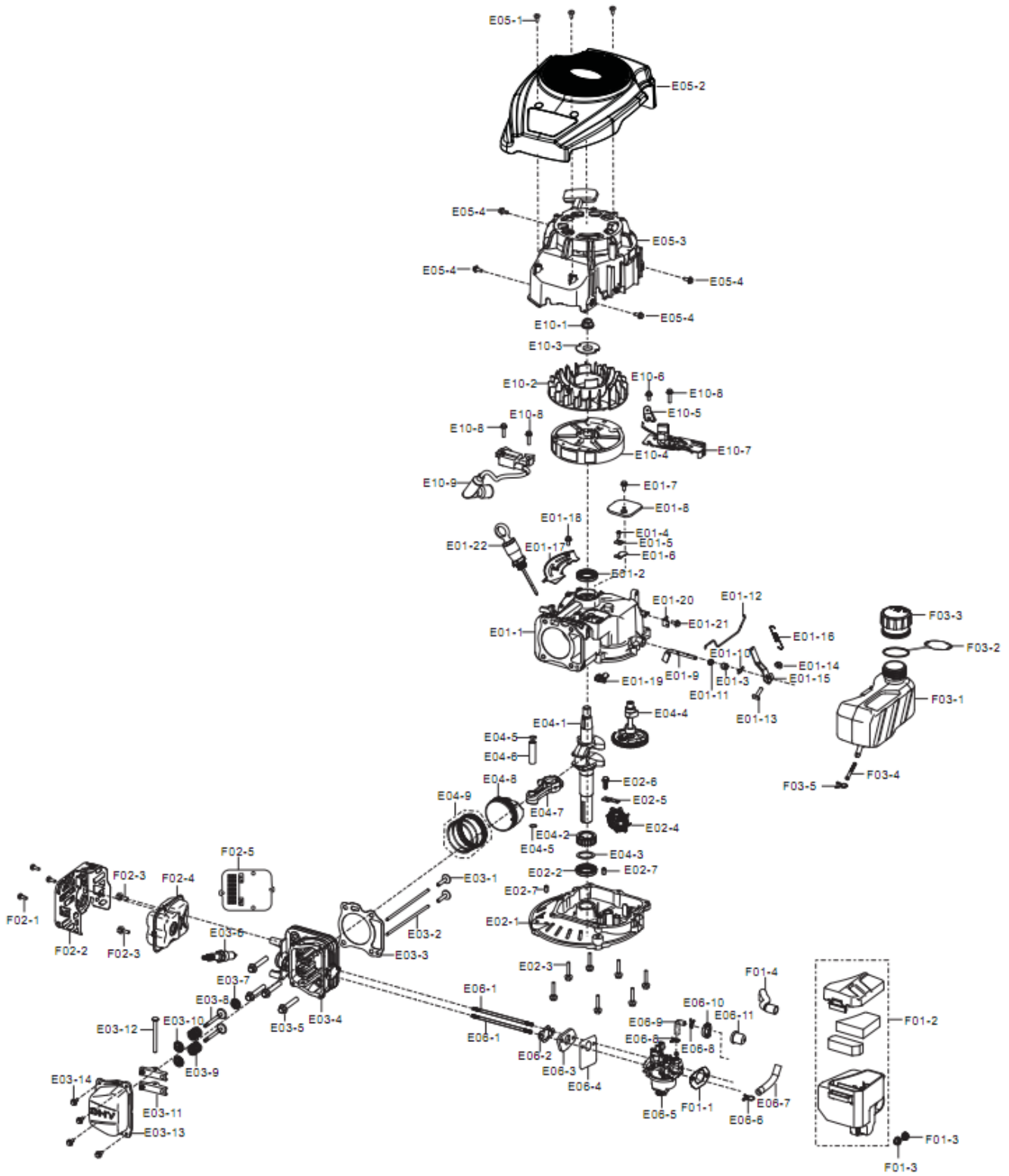
# VISTA DETALLADA Y LISTA DE PIEZAS



| Item | Stock #    | Description                                     | Qty |
|------|------------|---|-----|
| 1    | 303190311A | Motor   | 1   |
| 2    | 303020627  | Perno M8x25                                     | 3   |
| 3    | 202540004  | Deflector de descarga lateral                   | 1   |
| 4    | 303020468  | Tornillo  | 2   |
| 5    | 203050382A | Canal de descarga lateral                       | 1   |
| 6    | 303030077  | Contratuerca de nylon M8                        | 4   |
| 7    | 203070187  | Rueda derecha de 7 pulgadas                     | 1   |
| 8    | 303181312  | Costura del eje delantero                       | 1   |
| 9    | 303010216  | Tornillo autorroscante ST6.3x20                 | 21  |
| 10   | 303071715  | Ranura de engranaje de ajuste de altura frontal | 1   |
| 11   | 303020562  | Tornillo M6*10                                  | 4   |
| 12   | 303071721  | Palanca de ajuste de altura delantera           | 1   |
| 13   | 203050399D | Cubierta frontal                                | 1   |
| 14   | 303071420  | Eje arquero                                     | 2   |
| 15   | 203070184  | Rueda izquierda de 7 pulgadas                   | 1   |
| 16   | 303010332  | Tornillo autorroscante ST6.3*20                 | 16  |
| 17   | 303071368C | Cubierta de acero de 21 pulgadas                | 1   |
| 18   | 303160808  | Polea pequeña                                   | 1   |
| 19   | 203050396B | Cubierta de la correa                           | 1   |
| 20   | 303110030  | Llave cuadrada                                  | 1   |
| 21   | 303060140  | Arandela  | 1   |
| 22   | 303180937  | Conector de la cuchilla                         | 1   |
| 23   | 303071037  | Cuchilla de 21 pulgadas                         | 1   |
| 24   | 303043023A | Arandela mariposa                               | 1   |
| 25   | 303020626  | Perno de la cuchilla                            | 1   |
| 26   | 303100065  | Rodamientos de estampado                        | 6   |
| 27   | 203070188  | Rueda derecha de 8 pulgadas                     | 1   |
| 28   | 303050007  | Anillo de eje                                   | 4   |
| 29   | 303160470A | Avance de engranaje derecho                     | 1   |
| 30   | 303123017A | Perno cilíndrico                                | 2   |
| 31   | 203010851  | Cubierta de defensa trasera                     | 2   |
| 32   | 303071722  | Ranura de engranaje de ajuste de altura trasera | 1   |

| Item | Stock #    | Description   | Qty |
|------|------------|---|-----|
| 33   | 303181412  | Costura trasera del eje de accionamiento automático | 1   |
| 34   | 203021336  | Manga del eje trasero                               | 2   |
| 35   | 303240658  | Conjunto de accionamiento                           | 1   |
| 36   | 302040085  | Cinturón  | 1   |
| 37   | 203050520  | Almohadilla de soporte de la unidad                 | 1   |
| 38   | 303010374  | Tornillo de rosca                                   | 1   |
| 39   | 303160471A | Engrenaje avanzado izquierdo                        | 1   |
| 40   | 203070186  | Rueda izquierda de 8                                | 1   |
| 41   | 303010095  | Tornillo de rosca                                   | 2   |
| 42   | 203050389  | Cubierta del bloque trasero                         | 1   |
| 43   | 303130381  | cubierta del resorte torsional trasero izquierdo    | 1   |
| 44   | 203050390C | Cubierta de defensa trasera                         | 1   |
| 45   | 302120078  | Recolector de hierba                                | 1   |
| 46   | 303130380  | Cubierta del resorte torsionañ trasero derecho      | 1   |
| 47   | 303071718  | Placa de soporte del tubo inferior izquierdo        | 1   |
| 48   | 203050400D | Base trasera  | 1   |
| 49   | 302080050B | Plantilla de goma                                   | 1   |
| 50   | 203052981  | Cubierta superior del asiento trasero               | 1   |
| 51   | 303181507  | Placa de soporte del tubo inferior derecho          | 1   |
| 52   | 303080491A | Soporte de recolector                               | 1   |
| 53   | 203050019  | Mango plegable                                      | 2   |
| 54   | 303081406  | Asa inferior Derecho                                | 1   |
| 55   | 203050519  | Clip de cable                                       | 1   |
| 56   | 203051096  | Mango plegable                                      | 2   |
| 57   | 303160531B | Gancho del cable del motor                          | 1   |
| 58   | 303200100  | Cable   | 1   |
| 59   | 303081329A | Asa superior  | 1   |
| 60   | 303030025  | Tuerca  | 2   |
| 61   | 303020442  | Tuerca  | 1   |
| 62   | 303080509A | Barra de control de corte                           | 1   |
| 63   | 303080502A | Barra de control de mando                           | 1   |

# VISTA DETALLADA DEL MOTOR Y LISTA DE PIEZAS





| Ítem   | No. de inventario  | Descripción  | Cantidad |
|--------|--------------------|--|----------|
| E01-1  | 11310-Z3C0110-00A0 | CARTER SUBCONJUNTO.                                | 1        |
| E01-2  | 90682-Z240110-0000 | SELLO, ACEITE                                      | 1        |
| E01-3  | 90682-Z030210-0000 | SELLO, ACEITE                                      | 1        |
| E01-4  | 90103-0410-51      | TORNILLO   | 1        |
| E01-5  | 11321-Z2P0110-0000 | PIEZA, VENTILACIÓN                                 | 1        |
| E01-6  | 11337-Z2P0110-0000 | TABLA DE LÍMITE                                    | 1        |
| E01-7  | 90007-0512-A1      | TORNILLO   | 1        |
| E01-8  | 11333-Z2P0110-0000 | PLACA, CUBIERTA DE RANURA DE VENTILACIÓN           | 1        |
| E01-9  | 16061-Z2P0110-00A0 | BRAZO, REGULADOR                                   | 1        |
| E01-10 | 90501-Z010110-0000 | ALFILER  | 1        |
| E01-11 | 90412-Z870210-0000 | ARANDELA PLANA                                     | 1        |
| E01-12 | 16062-Z2P0110-0000 | BARRA DE REGULADOR                                 | 1        |
| E01-13 | 16072-Z010110-0000 | PERNO, APOYO DEL REGULADOR                         | 1        |
| E01-14 | 90305-0600-31      | TUERCA   | 1        |
| E01-15 | 16070-Z2P0110-0000 | SUBCONJUNTO DE APOYO, REGULADOR                    | 1        |
| E01-16 | 16063-Z2P0110-0000 | RESORTE, REGULADOR                                 | 1        |
| E01-17 | 19308-Z2P0110-0000 | CUBIERTA, LADO DEL CARTER                          | 1        |
| E01-18 | 90007-0512-A1      | TORNILLO   | 1        |
| E01-19 | 11340-Z2P0110-0000 | Volver conjunto de bloque de aceite                | 1        |
| E01-20 | 16561-Z2P0110-0000 | CONJUNTO DE PLACA, CONTROL DE ACELERACIÓN INFERIOR | 1        |
| E01-21 | 90007-0512-A1      | TORNILLO   | 1        |
| E01-22 | 15010-Z2P0310-Q200 | VARILLA, ACEITE                                    | 1        |
| E02-1  | 11411-Z2P0110      | CUBIERTA,  | 1        |

| Ítem   | No. de inventario  | Descripción                          | Cantidad |
|--------|--------------------|--------------------------------------|----------|
| E04-3  | 90408-Z030210-0000 | ARANDELA PLANA                       | 1        |
| E04-4  | 14200-Z2P0110-00A0 | CONJUNTO DE ARBOL DE LEVAS.          | 1        |
| E04-5  | 13122-Z240110-00A0 | Gancho, ALFILER DE PISTÓN            | 2        |
| E04-6  | 13121-Z240110-00A0 | ALFILER, PISTON                      | 1        |
| E04-7  | 13010-Z2P0110-00A0 | BARRA DE CONEXIÓN                    | 1        |
| E04-8  | 13111-Z3C0110-00A0 | PISTÓN                               | 1        |
| E04-9  | 13200-Z870110-00A0 | ANILLO CONJUNTO, PISTÓN              | 1        |
| E05-1  | 90107-0516-01      | TORNILLO                             | 3        |
| E05-2  | 80001-Z2P0210-RC00 | CORTEZA, MOTOR                       | 1        |
| E05-3  | 28200-Z2P0310-Q200 | CONJUNTO DE ARRANQUE, RECUPERACIÓN   | 1        |
| E05-4  | 90007-0516-A1      | TORNILLO                             | 4        |
| E06-1  | 90204-Z010210-0100 | TORNILLO                             | 1        |
| E06-2  | 17002-Z2P0110-00A0 | JUNTA, ENTRADA                       | 1        |
| E06-3  | 16003-Z2P0110-00A0 | PLACA, AISLADOR DE CARBURADOR        | 1        |
| E06-4  | 16004-Z2P0110-00A0 | JUNTA, PLACA AISLADOR                | 1        |
| E06-5  | 16100-Z3C0210-00A0 | CONJUNTO DE CARBURADOR.              | 1        |
| E06-6  | 90685-1000-01      | ABRAZADERA                           | 1        |
| E06-7  | 90686-Z2P0110-0000 | TUBO DE COMBUSTIBLE                  | 1        |
| E06-8  | 90685-0700-01      | ABRAZADERA                           | 2        |
| E06-9  | 16211-Z2P0110-0000 | TUBO, ARRANQUE DE LA VÁLVULA RICA    | 1        |
| E06-10 | 16212-Z2P0110-0000 | ASIENTO, ARRANQUE DE LA VÁLVULA RICA | 1        |
| E06-11 | 16213-Z2P0110-0000 | CUERPO DE VÁLVULA, COMENZANDO RICO   | 1        |
| E10-1  | 13501-Z010110-     | TUERCA,                              | 1        |

|        |                    |   |   |
|--------|--------------------|---|---|
|        | -00A0              | ARRANQUE                                  |   |
| E02-2  | 90682-Z030320-0000 | SELLO, ACEITE                             | 1 |
| E02-3  | 90001-0630-01      | TORNILLO                                  | 7 |
| E02-4  | 16400-Z2P0111-00A0 | ENGRANAJE, REGULADOR                      | 1 |
| E02-5  | 16013-Z030120-0000 | PLACA, COMPRESIÓN DE HUSILLO DE REGULADOR | 1 |
| E02-6  | 90001-0616-01      | TORNILLO                                  | 1 |
| E02-7  | 90502-0812-00      | ALFILER                                   | 2 |
| E03-1  | 14081-Z2P0110-00A0 | TAPETA, VÁLVULA                           | 2 |
| E03-2  | 14071-Z2P0110-00A0 | ELEVADOR, VÁLVULA                         | 2 |
| E03-3  | 12131-Z3C0110-00A0 | CULATA JUNTA                              | 1 |
| E03-4  | 12140-Z3C0110-00A0 | CONJUNTO DE CABEZA, CILINDRO              | 1 |
| E03-5  | 90001-0850-01      | TORNILLO                                  | 4 |
| E03-6  | 30010-Z120110-00A0 | BUJÍA                                     | 1 |
| E03-7  | 12101-Z810210-00A0 | GUÍA, SELLO                               | 1 |
| E03-8  | 12110-Z3C0110-00A0 | JUEGO DE VÁLVULAS                         | 2 |
| E03-9  | 12103-Z030110-0000 | RESORTE, VÁLVULA                          | 2 |
| E03-10 | 12112-Z010110-00A0 | ASIENTO, RESORTE DE VÁLVULA               | 2 |
| E03-11 | 14310-Z2P0110-00A0 | CONJUNTO DE BALANCINES, VÁLVULA           | 2 |
| E03-12 | 14330-Z2P0110-00A0 | EJE, BALANCINES DE VALVULA                | 1 |
| E03-13 | 12411-Z2P0110-0000 | CUBIERTA, CULATA                          | 1 |
| E03-14 | 90007-0512-A1      | TORNILLO                                  | 4 |
| E04-1  | 13300-Z3C0910-00A0 | CONJUNTO DE CARTER                        | 1 |
| E04-2  | 14014-Z2P0210-00A0 | ENGRANAJE, UNIDAD DE DISTRIBUCIÓN         | 1 |

|       |                    |                                 |   |
|-------|--------------------|---------------------------------|---|
|       | 00A0               | VOLANTE                         |   |
| E10-2 | 19352-Z2P0110-00A0 | IMPULSO                         | 1 |
| E10-3 | 28020-Z2P0110-0000 | ASIENTO, TAZA DE ARRANQUE       | 1 |
| E10-4 | 13510-Z2P0110-00A0 | CONJUNTO DE VOLANTE             | 1 |
| E10-5 | 30029-Z2P0110-0000 | AGARRADERA, CUBIERTA            | 1 |
| E10-6 | 90007-0516-A1      | TORNILLO                        | 1 |
| E10-7 | 45200-Z2P0110-JS00 | CONJUNTO DE FRENO.              | 1 |
| E10-8 | 90007-0520-A1      | TORNILLO                        | 3 |
| E10-9 | 30400-Z2P0110-0000 | BOBINA, ENCENDIDO               | 1 |
| F01-1 | 17001-Z2P0110-00A0 | JUNTA, FILTRO DE AIRE           | 1 |
| F01-2 | 17100-Z2P0110-0000 | LIMPIADOR, AIRE                 | 1 |
| F01-3 | 90305-0600-31      | TUERCA                          | 2 |
| F01-4 | 17004-Z2P0110-0000 | TUBO, RESPIRADOR                | 1 |
| F02-1 | 90107-0413-03      | TORNILLO                        | 3 |
| F02-2 | 18130-Z2P0210-0000 | CUBIERTA, SILENCIADOR EXTERIOR  | 1 |
| F02-3 | 90001-0616-01      | TORNILLO                        | 2 |
| F02-4 | 18100-Z2P0210-0000 | CONJUNTO DE SILENCIADOR.        | 1 |
| F02-5 | 18020-Z2P0110-00A0 | PLACA, AISLADOR DE SILENCIADOR  | 1 |
| F03-1 | 16600-Z2P0110-Q2A9 | CONJUNTO DE TANQUE, COMBUSTIBLE | 1 |
| F03-2 | 16744-Z620120-0000 | CADENA DE TAPA DE TANQUE        | 1 |
| F03-3 | 16730-Z620210-LKD0 | CUBIERTA, TANQUE DE COMBUSTIBLE | 1 |
| F03-4 | 16652-Z030110-00A0 | FILTRO, COMBUSTIBLE             | 1 |
| F03-5 | 90685-1000-01      | ABRAZADERA                      | 1 |

## **TRES (3) AÑOS DE GARANTÍA LIMITADA**

PowerSmart se compromete a construir equipos que brinden años de servicio confiable. Nuestras garantías son consistentes con nuestro compromiso y dedicación a la calidad.

### **GARANTÍA LIMITADA DE TRES (3) AÑOS DE PRODUCTOS POWER SMART PARA USO DOMÉSTICO.**

PowerSmart ("Vendedor") garantiza únicamente al comprador original que todas las herramientas eléctricas de consumo PowerSmart estarán libres de defectos en materiales o mano de obra por un período de tres (3) años a partir de la fecha de compra. Si se utilizan las herramientas Al proporcionar servicios profesionales o comerciales, la cobertura de la garantía será por un máximo de (90) días.

LA ÚNICA OBLIGACIÓN DEL VENDEDOR Y SU RECURSO EXCLUSIVO bajo esta Garantía limitada de tres (3) años y, en la medida permitida por la ley, cualquier garantía o condición implícita por la ley, será la reparación o el reemplazo de piezas, sin cargo, que sean defectuosos en el material o mano de obra y que no hayan sido mal utilizados, manejados descuidadamente o reparados incorrectamente, por personas que no sean un Vendedor autorizado o Centro de servicio.

Tenga en cuenta que las piezas de desgaste normal no están cubiertas por esta garantía. Esto incluye correas de transmisión, cuchillas y bolsas de recolección de hierba. Los problemas del carburador y / u otros daños que se encuentren como resultado de combustible rancio, contaminado o comprometido, no están cubiertos por esta garantía limitada.

Para hacer un reclamo bajo esta Garantía limitada, debe devolver el producto completo de la herramienta eléctrica; transporte prepago, a PowerSmart. El propietario debe incluir una copia legible del recibo original, que deberá incluir la fecha de compra, junto con el nombre de la compañía donde se compró el producto.

ESTA GARANTÍA LIMITADA NO SE APLICA A NINGÚN ARTÍCULO ACCESORIO INCLUIDO CON LA HERRAMIENTA, COMO LAS HOJAS DE SIERRA CIRCULAR, OTROS ARTÍCULOS RELACIONADOS O CUALQUIER PIEZA DE REPUESTO LISTA BAJO MANTENIMIENTO.

CUALQUIER GARANTÍA IMPLÍCITA SERÁ LIMITADA EN DURACIÓN A TRES (3) AÑOS DESDE LA FECHA DE COMPRA. ALGUNOS ESTADOS DE LOS ESTADOS UNIDOS Y ALGUNAS PROVINCIAS CANADIENSES NO PERMITEN LIMITACIONES DE LA DURACIÓN DE UNA GARANTÍA IMPLÍCITA, POR LO QUE LA LIMITACIÓN ANTERIOR PUEDE NO APLICARSE EN SU CASO.

EN NINGÚN CASO EL VENDEDOR SERÁ RESPONSABLE POR DAÑOS INCIDENTALES O CONSECUENTES (INCLUIDOS, PERO SIN LIMITARSE A LA RESPONSABILIDAD POR LA PÉRDIDA DE BENEFICIOS) DERIVADOS DE LA VENTA O USO DE ESTE PRODUCTO. ALGUNOS ESTADOS DE LOS ESTADOS UNIDOS Y ALGUNAS PROVINCIAS CANADIENSES NO PERMITEN LA EXCLUSIÓN O LIMITACIÓN DE DAÑOS INCIDENTALES O CONSECUENTES, POR LO QUE LA LIMITACIÓN O EXCLUSIÓN ANTERIOR PUEDE NO APLICARSE EN SU CASO..

ESTA GARANTÍA LIMITADA LE OTORGA DERECHOS LEGALES ESPECÍFICOS, Y TAMBIÉN PUEDE TENER OTROS DERECHOS QUE VARÍAN DE ESTADO A ESTADO EN LOS ESTADOS UNIDOS, DE PROVINCIA A PROVINCIA EN CANADÁ, Y DE PAÍS EN PAÍS.

Llame gratuita al: 1-800-791-9458, 1-888-293-0024 (lunes a viernes de 9 a.m. a 5 p.m. Horario estándar del este)  
Correo electrónico: [support@amerisuninc.com](mailto:support@amerisuninc.com), [support@powersmartusa.com](mailto:support@powersmartusa.com)

GUARDE TODOS SUS RECIBOS ORIGINALES. ESTA GARANTÍA ES NULA SIN ELLOS.