

POWERSMART®

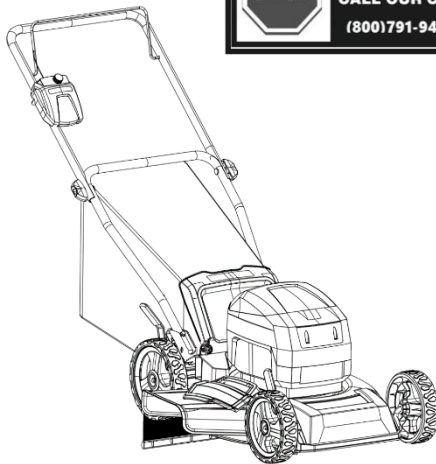
INSTRUCTION MANUAL

EN 17" 40V Cordless Lawn Mower

FR 17" 40V Une tondeuse à gazon sans fil

ES 17" 40V Cortacésped inalámbrico

Model # DB2317



Have product questions or need technical support? Please feel free to contact us!

Website: www.powersmartusa.com

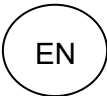
Toll free: 1-800-791-9458, 1-888-293-0024 (Mon-Fri 9-5 EST)

Email: support@amerisuninc.com
support@powersmartusa.com



Website

CONTENTS



Contents.....	3
Technical data.....	3
Safety information	4
Symbols	10
Know your lawn mower.....	12
Assembly.....	13
Operation	17
Maintenance.....	22
Service.....	23
Environmentally safe battery disposal.....	24
Troubleshooting.....	25
Exploded View	26
Parts List.....	27
Warranty.....	29

TECHNICAL DATA

17" 40V CORDLESS LAWN MOWER	Model # DB2317
Battery type:	40V Lithium-ion
Charger time:	150mins
No-load speed:	2900 RPM
Cutting width:	17 inch
Height adjustments:	5 Position
Grass catcher capacity:	11.8 Gallon
Wheel:	Front: 7 inch / Rear: 8 inch
Package dimensions (L x W x H):	29.5 x 20.1 x 16.5 inches
Weight:	48.5lbs

SAFETY INFORMATION

GENERAL SAFETY RULES

WARNING: when using electric lawn mowers, basic safety precautions should always be followed to reduce the risk of fire, electric shock, and personal injury, including the following:

READ ALL INSTRUCTIONS CAREFULLY

WARNING: This symbol indicates important safety instructions. If these instructions are not followed, it could endanger the personal safety and/or property of the operator and others. Read and understand all instructions in this manual before attempting to operate the mower. Failure to comply with these instructions may result in personal injury.



DANGER

This mower was built to be operated according to the rules for safe operation that are contained in this manual. As with any type of power equipment, carelessness or error on the part of the operator can result in serious injury. This mower is capable of amputating body parts and throwing objects. Failure to observe the following safety rules could result in serious injury or death.

WARNING: Basic safety precautions should always be followed when using electric lawn mowers, in order to reduce the risk of fire, electric shock, and personal injury.

WARNING: Use of this mower should be restricted to individuals who have read and understood and will follow the warnings and instructions that are printed in this manual and on the mower.

- Carefully read all instructions on the mower and in the manual before attempting to assemble and operate the mower. Keep this manual in a safe place for future reference, and consult it regularly.
- Become familiar with all controls and their proper operation. Know how to stop the mower and how to disengage the power in an emergency.
- In order to avoid contact with the blade or injury caused by a thrown object, stay in the operating zone behind the handles, and keep children and bystanders at least 100' (30 m) away from the mower while it is in operation. Stop the motor immediately if someone enters the mowing area.
- Thoroughly inspect the area where the mower is to be used. Remove all stones,

sticks, wire, bones, toys, and other objects that could be tripped over or thrown by the blade. Thrown objects can cause serious personal injury.

- Plan your mowing pattern in such a way as to avoid discharging material toward roads, sidewalks, bystanders, etc. Do not discharge material against a wall or obstruction. Doing so may cause the discharged material to ricochet back toward the operator.
- Always wear proper eye protection that complies with ANSI Z87.1 in order to protect your eyes while operating or performing any adjustment or repair. Thrown objects that ricochet can cause serious eye injury.
- Always wear a face mask or a dust mask when operating the mower in a dusty environment.
- Dress properly. Do not wear loose clothing or jewelry that can get caught in moving parts. The wearing of protective gloves and safety footwear is recommended.
- Many injuries occur as a result of the mower being pulled over the operator's foot during a fall caused by slipping or tripping. Do not operate this mower in bare feet, or while wearing sandals or lightweight (e.g., canvas) shoes. Do not hold on to the mower if you are falling. Release the handle immediately.
- Never pull the mower back toward you while you are walking. If you must back the mower away from a wall or an obstruction, first look down and behind in order to avoid tripping, and then follow these steps:
 - Step back from the mower in order to fully extend your arms.
 - Be sure that you are well balanced.
 - Pull the mower back slowly.
- Do not use the mower for any job except that for which it is intended. Do not force the mower.
- Do not operate the mower while under the influence of alcohol or drugs.
- Stay Alert: Do not operate the mower when you are tired. Pay attention to what you are doing. Use common sense.
- Do not put hands or feet near rotating parts or under the cutting deck. Contact with the blade can amputate hands and feet.
- Do not attempt to adjust the wheels or the cutting height while the motor is running.
- Avoid dangerous environments. Do not operate the mower in the rain or in wet or damp grass.
- Mow only in daylight or in good artificial light. Do not rush a mowing job.
- Stop the blade when crossing gravel driveways, walkways, or roads.
- If the mower starts to vibrate excessively, stop the motor, remove the battery and check for the cause immediately. Vibration is generally a sign that the mower is not working properly or needs repair.

- Stop the motor and wait until the blade comes to a complete stop before removing the grass catcher or unclogging the chute. The cutting blade will continue to rotate for a few seconds after the motor is shut off. Do not place any part of your body in the blade area until you are sure that the blade has stopped rotating.
- Never operate mower without a proper trail shield, discharge cover, grass catcher, switch control, or other safety device in place and in working order. Do not operate the mower with damaged safety devices. Doing so can result in injury.
- Don't force lawn mower. It will do the job better and safer at the rate for which it was designed.
- Store idle lawn mower indoors. When not in use, lawn mower should be stored in an indoor dry and lock-up place, out of reach of children.
- Maintain lawn mower. Keep cutting edges sharp and clean to ensure the best performance and safety.
- If lawn mower strikes a foreign objects follow these steps:
 - Stop lawn mower, release the switch.
 - Remove the battery.
 - Inspect for damage.
- Repair any damage before restarting and operating the lawn mower.
- Do not charge lawn mower in the rain or in a wet location.
- Remove or disconnect battery before servicing, cleaning or removing material from lawn mower.
- Inspect lawn mower cord periodically and if damaged, have it repaired by an authorized service facility.
- Use identical replacement blades only.
- Store indoors, and do not expose to rain or water, avoid direct sunshine.

CHILD SAFETY

Tragic accidents can occur if the operator is not aware of the presence of children.

- Keep children out of the mowing area and under the watchful care of a responsible adult.
- Do not allow children under the age of 14 to operate this mower. Children who are 14 years of age and older must read and understand the operating instructions and safety rules in this manual, and must be trained and supervised by a parent.
- Stay alert, and turn the mower off if a child or any other person enters the mowing area.
- Look behind and down for small children before and while moving backwards.
- Use extreme care when approaching blind corners, doorways, shrubs, trees, or other objects that may obscure your view of a child who may run into the path of the mower.

BATTERY & CHARGER

CAUTION: USE ONLY POWERSMART APPROVED REPLACEMENT BATTERIES, OTHER BATTERIES MAY CAUSE INJURY OR DAMAGE TO THE MOWER. Use with POWERSMART 40V battery.

BATTERY SAFETY RULES

- Battery tools do not have to be plugged into an electrical outlet; therefore, they are always in operating condition. Be aware of possible hazards when not using your battery tool or when changing accessories. Following this rule will reduce the risk of electric shock, fire, or serious personal injury.
- Do not place battery tools or their batteries near fire or heat. This will reduce the risk of explosion and injury.
- Do not crush, drop or damage battery pack. Do not use a battery pack or charger that has been dropped or received a sharp blow. A damaged battery is subject to explosion. Properly dispose of a dropped or damaged battery immediately.
- Batteries can explode in the presence of a source of ignition, such as a pilot light. To reduce the risk of serious personal injury, never use any cordless product in the presence of open flame. An exploded battery can propel debris and chemicals. If exposed, flush with water immediately. Do not charge battery tool in a damp or wet location. Following this rule will reduce the risk of electric shock.
- For best results, your battery tool should be charged in a location where the temperature is more than 45°F but less than 104°F. To reduce the risk of serious personal injury, do not store outside or in vehicles.
- Under extreme usage or temperature conditions, battery leakage may occur. If liquid comes in contact with your skin, wash immediately with soap and water. If liquid gets into your eyes, flush them with clean water for at least 10 minutes, then seek immediate medical attention. Following this rule will reduce the risk of serious personal injury.
- When battery pack is not in use, keep it away from other metal objects like: paper clips, coins, keys, nails, screws, or other small metal objects that can make a connection from one terminal to another. Shorting the battery terminals together may cause sparks, burns, or a fire.
- Always remove battery pack from your tool when you are assembling parts, making adjustments, cleaning, or when not in use. Removing battery pack will prevent accidental starting that could cause serious personal injury.
- Always remove battery pack before storing the device. When battery becomes fully charged, unplug the charger from the power supply and remove the battery pack from the charger.
- Always wear eye protection with side shields marked to comply with ANSI Z87.1, along with hearing protection. Failure to do so could result in objects being thrown into your eyes and other possible serious injuries.

- Keep battery pack dry, clean, and free from oil and grease. Always use a clean cloth when cleaning. Never use brake fluids, gasoline, petroleum-based products, or any solvents to clean battery pack.
- Do not open or mutilate the battery. Released electrolyte is corrosive and may cause damage to the eyes or skin. It may be toxic if swallowed.

PROPER CARE FOR BATTERY

Off-season storage

To obtain the longest possible battery life, we suggest the following:

- Remove the battery pack from the charger once it is fully charged and ready for use. For battery pack storage longer than 30 days:
 - Store the battery pack where the temperature is below 80°F and away from moisture.
 - Store battery packs in a 30%-50% charged condition.
 - Every two months of storage, charge the pack as normal.

CHARGER SAFETY RULES

- Charge the mower battery in a dry area that is protected from the weather. Do not expose the mower or the charger to rain. Do not charge the battery in a wet location. Operate the battery charger in temperatures between 45° and 104°F. In order to reduce the risk of electric shock, use only the charger that is provided by the manufacturer to charge the battery.
- **DO NOT ABUSE THE CHARGE CORD.** Never carry the charger by the cord. Do not disconnect the charger from the outlet or from the mower by pulling the charger cord.
- Do not use a damaged charger. Replace the charger cords or the charger immediately.
- Keep the mower and the charger away from water, heat sources (radiators, heaters, stoves, etc.), flames, and chemicals.
- Make sure the battery pack is secured in the charger before beginning operation.
- The battery pack will become slightly warm to the touch while charging. This is normal and does not indicate a problem.
- Do not place the charger and battery pack in an area of extreme heat or cold. They will work best at normal room temperature.
- When batteries become fully charged, unplug the charger from the power supply and remove the battery pack.

WARNING: When transporting or servicing unit, always remove the battery.










WARNING: Some dust created by power sanding, sawing, grinding, drilling and other construction activities contains chemicals known to the state of California to cause cancer, birth defects or other reproductive harm. Some examples of these chemicals are:





- Lead from lead-based paints,
- Crystalline silica from bricks and cement and other masonry products, and
- Arsenic and chromium from chemically-treated lumber.

Your risk from these exposures varies, depending on how often you do this type of work. To reduce your exposure to these chemical: work in a well ventilated area, and work with approved safety equipment, such as those dust masks that are specially designed to filter out microscopic particles.

SYMBOLS

Some of the following symbols may be used on this product. Please study them and learn their meaning. Proper interpretation of these symbols will allow you to operate the product better and safer.

SYMBOL	NAME	DESIGNATIONS
V	Volts	Voltage
A	Amperes	Current
Hz	Hertz	Frequency (cycles per second)
W	Watts	Power
min	Minutes	Time
---	Direct Current	Type or a characteristic of current
n_0	No Load Speed	Rational speed, at no load
/min	Per Minute	Revolutions, strokes, surface speed, orbits etc., per minute
	Safety Alert	Indicates a potential personal injury hazard.
	Wet Conditions Alert	Cutting/dismemberment hazard of hand. Keep hands away from the rotating blade.
	WARNING	To reduce the risk of injury, user must read instruction manual.
	Eye Protection	Wear eye and hearing protection. For protection against injury, wear ear defenders and safety goggles.
	Keep Hands and Feet Away	Keep hands and feet away from blade and cutting area.
	No Reach	Severing of toes or fingers by rotary mower blade.
	Slip on slope hazard	Slip on slope hazard – Use extra caution when mowing on slopes to prevent slip and fall accidents.
	Keep Bystanders Away	Keep all bystanders at least 100 ft. away.
	CAUTION	Objects picked up and thrown by the rotating blade can cause severe injury.

SYMBOL	NAME	DESCRIPTIONS
	DANGER	Indicates an imminently hazardous situation, which, if not avoided, will result in death or serious injury.
	Wet Conditions Alert	Do not expose to rain or use in damp locations
	WARNING	Indicates a potentially hazardous situation, which, if not avoided, could result in death or serious injury.
	CAUTION	Indicates a potentially hazardous situation, which, if not avoided, may result in minor or moderate injury.

ENVIRONMENTAL PROTECTION



Waste electrical products should not be disposed of with household waste. Please recycle where facilities exist. Check with your local authority or retailer for recycling advice.

The battery contains material which is hazardous to you and the environment. It must be removed and disposed of separately at a facility that accepts lithium-ion batteries.

SERVICE

Servicing requires extreme care and knowledge and should be performed only by a qualified service technician. For service we suggest you return the product to your nearest **AUTHORIZED SERVICE CENTER** for repair. When servicing, use only identical replacement parts.

WARNING: To avoid serious personal injury, do not attempt to use this product until you have read this Owner's Manual thoroughly and understand it completely. If you do not understand the warnings and instructions in this Owner's Manual, do not use this product. Call the Toll-free Helpline (1- 800-791-9458) for assistance.

WARNING: The operation of any power tool can result in foreign objects being thrown into your eyes, which can result in severe eye damage. Before beginning power tool operation, always wear safety goggles or safety glasses with side shields and when needed, a full face shield. We recommend Wide Vision Safety Mask for use over eyeglasses or standard safety glasses with side shields. Always use eye protection which is marked to comply with ANSI Z87.1.

KNOW YOUR LAWN MOWER

Read this operator's manual and safety rules before operating your lawn mower. Compare the illustration in Figure 1 to your lawn mower in order to familiarize yourself with the location of various controls and adjustments. Save this manual for future reference.

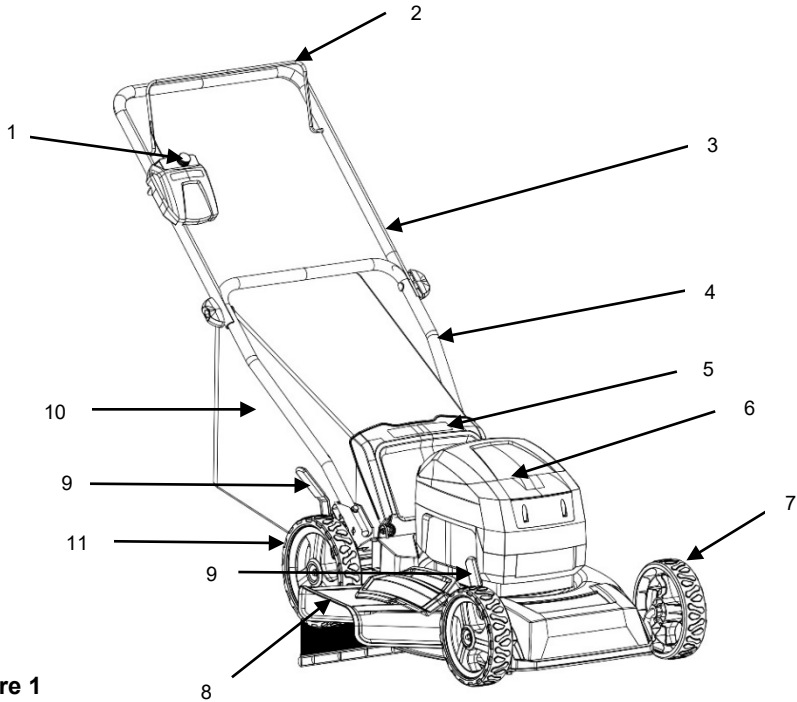


Figure 1

- | | | | |
|---|----------------------|----|---------------------------------|
| 1 | Switch button | 7 | Front wheel |
| 2 | Start/stop control | 8 | Side discharge chute |
| 3 | Upper handle | 9 | Cutting height adjustment lever |
| 4 | Lower handle | 10 | Grass collection bag |
| 5 | Rear discharge cover | 11 | Rear wheel |
| 6 | Battery box | | |

ASSEMBLY INSTRUCTIONS

UNPACKING

- Carefully remove the product and any accessories from the box. Make sure that all items listed in the packing list are included.
- Inspect the product carefully to make sure no breakage or damage occurred during shipping.
- Do not discard the packing material until you have carefully inspected and satisfactorily operated the product.
- If any parts are damaged or missing, please call 1-800-791-9458 for assistance.

PACKING LIST

- Lawn mower
- Side discharge
- Grass catcher bag
- 2 Screws
- Battery pack
- Charger
- Owner's manual
- 2 Cable clips

WARNING: If any parts are damaged or missing do not operate this product until the parts are replaced. Using a product with damaged or missing parts could result in serious personal injury.

WARNING: Do not attempt to modify this product or create accessories not recommended for use with this product. Any such alteration or modification is misuse and could result in a hazardous condition leading to possible serious personal injury.

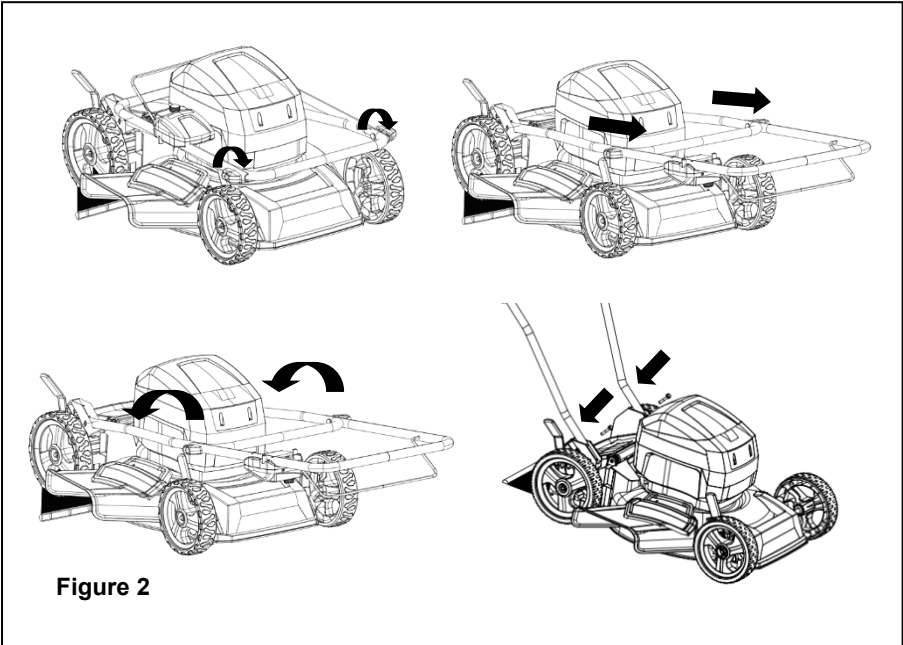
WARNING: Do not insert the battery until assembly is complete and you are ready to mow. Failure to comply could result in accidental starting and possible serious personal injury.

WARNING: To prevent accidental starting that could cause serious personal injury, always remove the battery pack from the product when assembling parts.

WARNING: Never operate the mower without the proper safety devices in place and working. Never operate the mower with damaged safety devices. Operation of this product with damaged or missing parts could result in serious personal injury.

ATTACH LOWER & UPPER HANDLE (See Figure 2)

1. Loosen two knobs and turn the folded upper tube to match the lower tube, and tighten the knob.
2. Turn the lower tube to an angle that matches the base and tighten with two screws. (Two screws are in the accessories bag.)



INSTALLING THE GRASS CATCHER BAG (See Figure 3)

- Lift the chute cover (1).
- Lift the grass catcher by its handle (2) and place under the chute cover so that the hooks (3) on the grass catcher frame are seated into the slots in the handle bracket.
- Release the chute cover. When installed correctly, the hooks on the grass catcher will rest securely in the slots on the handle brackets.

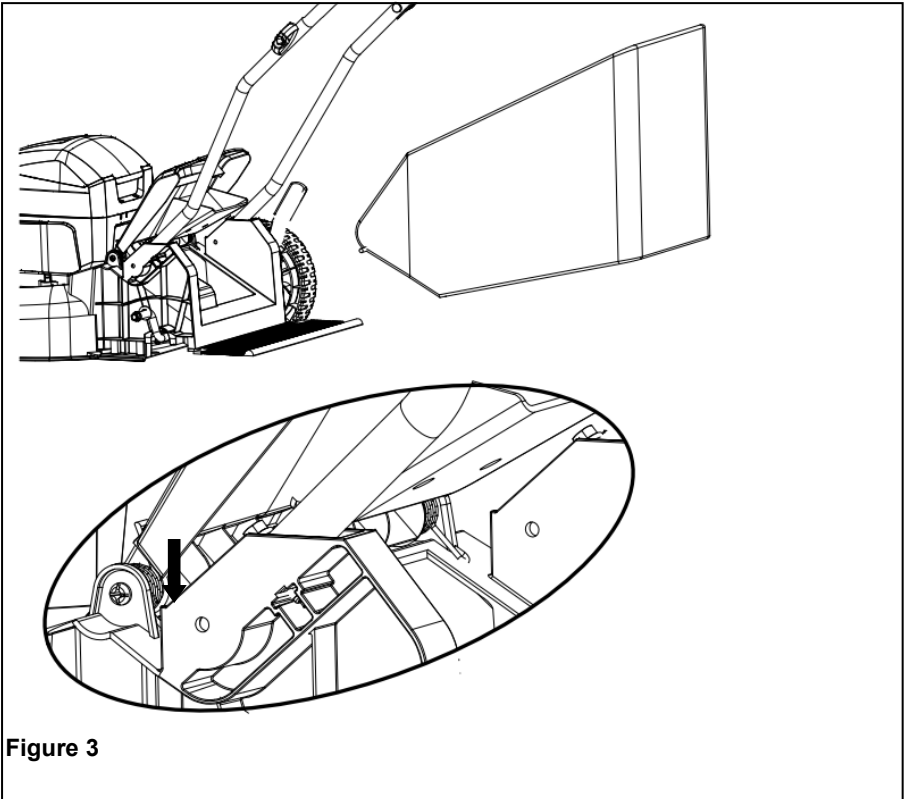


Figure 3

TO INSTALL BATTERY PACK (See Figure 4)

- Lift and hold up the battery door.
- Place the battery pack on the mower. Align guided ribs on battery pack with grooves in the product's battery port.
- Make sure the latch on bottom of the battery pack snaps in place and that battery pack is fully seated and secure in the product before beginning operation.
- Insert the safety key.
- If the machine is not going to be used immediately, do not insert the safety key.
- Close the door.

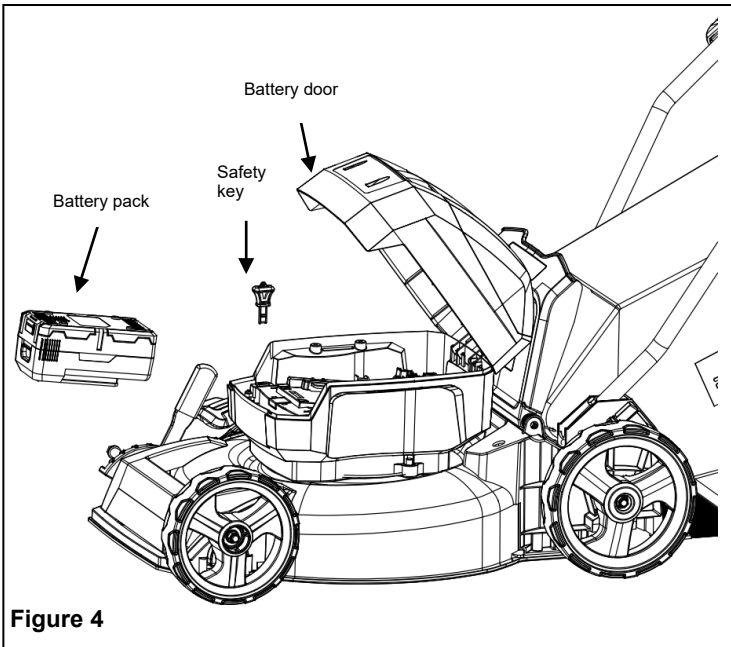


Figure 4

TO REMOVE BATTERY PACK (See Figure 4)

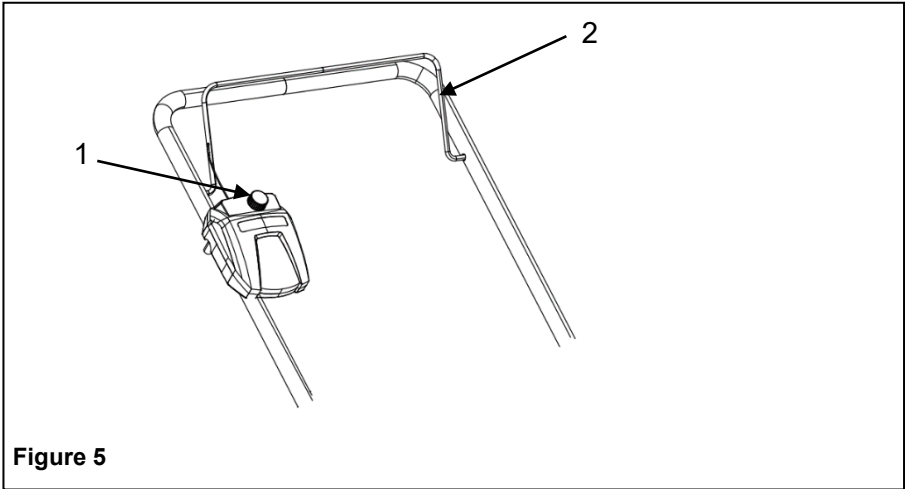
- Release the power lever to stop the product.
- Remove the safety key.
- Press and hold the battery latch button at the bottom of the battery pack.
- Remove battery pack from the product.

OPERATING YOUR LAWN MOWER

STARTING/STOPPING THE MOWER (See Figure 5)

To start the motor:

- Press and hold the starter button (1).
- While holding the starter button in pull the switch lever (2) toward you until it touches the handle. The starter button must be pressed in and held before pulling the handle. Once the lawn mower starts, release the starter button.



To stop the motor:

- Release the switch lever (2).

SOFT-START

This LI-ION Mower is equipped with a “Soft-start” feature. When initially starting up, the mower will take approx. 3 seconds to get up to full speed. If the mower does not initially start: Remove the battery and check under the mower deck to ensure there is nothing obstructing the blade and that the blade can spin freely by hand. Even a small amount of grass on start up will prevent the “soft-start” from turning the mower on.

CAUTION: Do not attempt to override the operation of the start button or bail lever.

WARNING: The operation of any mower can result in foreign objects being thrown into the eyes, which can cause severe eye damage. Always wear safety glasses while operating the mower and while performing any adjustments or repairs.

WARNING: Ensure that other people and pets remain at least 100 ft (30 m) away when the mower is in use.

INSPECT THE CUTTING AREA. Remove all stones, sticks, wires, bones, and other debris that might be thrown by the rotating blades.

CUTTING HEIGHT ADJUSTMENT (See Figure 6)

When shipped, the wheels on the mower are set to the lowest cutting position. Before using the mower for the first time, raise the cutting position to the height best suited for your lawn. The average lawn should be between 1.18" to 2" during cool months and between 2" and 3" during hot months.

To adjust the blade height:

- To raise the blade height, grasp the Front height adjustment lever (1) and Rear height adjustment lever (2) move it toward the front of the mower.
- To lower the blade height, grasp the height adjustment lever (1) and Rear height adjustment lever (2) move it toward the back of the mower.

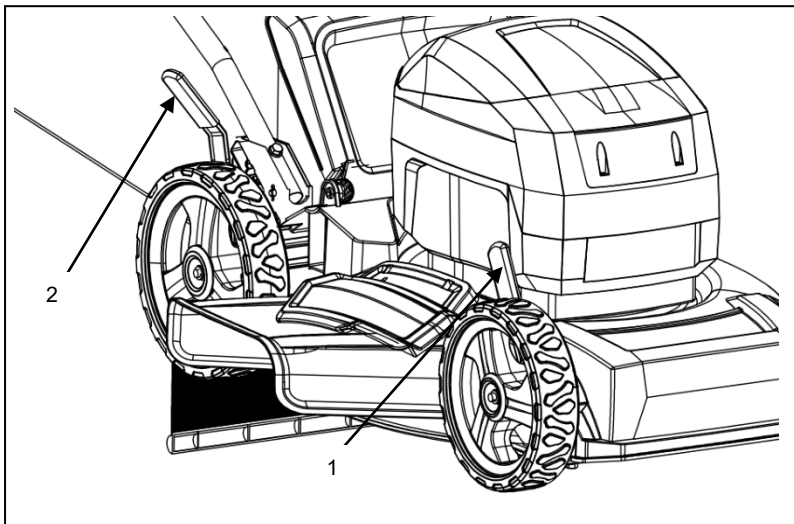
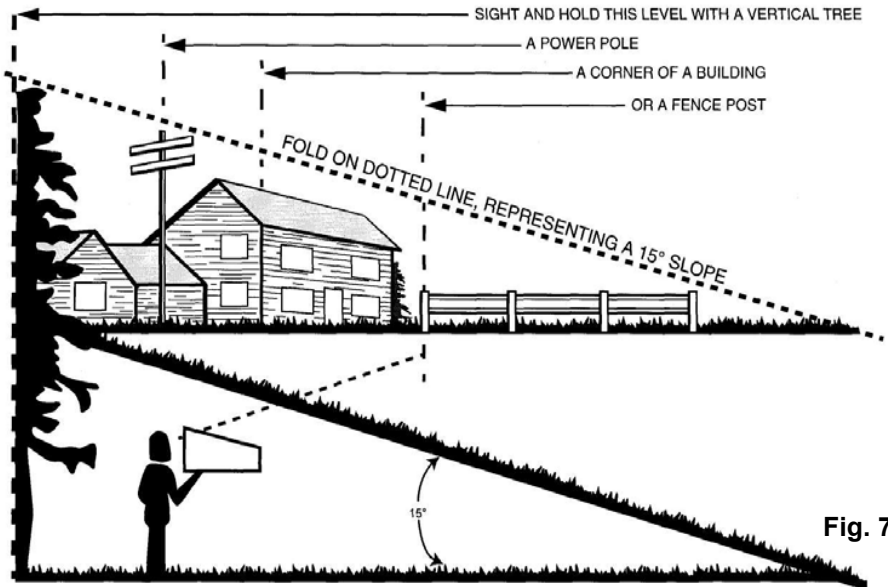


Figure 6

- Make sure to keep front and rear lever at same position before using.

WARNING: Slopes are a major factor related to accidents involving slips and falls, which can result in severe injury. Operating the mower on a slope requires extra caution. If you feel uneasy on a slope, do not mow it. For your safety, use the slope gauge that is included as part of this manual to measure slopes before operating this unit on a sloped or hilly area.

- Mow across the face of a slope, and never up and down. Exercise extreme caution when changing direction on a slope.
- Watch for holes, ruts, rocks, hidden objects, or bumps that may cause a slip or a trip. Tall grass can hide obstacles.
- Always be sure of your footing. If you feel like you are losing your balance, release the blade/ motor control handle immediately. The blade will stop rotating within 3 seconds.
- Do not mow near drop-offs, ditches, or embankments, because you could lose your footing or balance.
- Do not mow a slope that has an angle of greater than 15°, as determined using the slope gauge.
- Do not mow wet or damp grass. Unstable footing can cause slipping.



WARNING: Do not mow a slope that has an angle of greater than 15° (a rise of approximately 2 1/2' [.75 m] every 10' [3 m]). Mow across the face of a slope, and never up and down.

MOWING TIPS

NOTE: A sharp blade will greatly enhance the performance of the mower, especially when cutting high grass. Be sure to check the blade and to sharpen it at least once per year, as described in the Maintenance section.

- Verify that the lawn is free of stones, sticks, wires, and other objects that could damage the blades or the motor. These objects could be accidentally thrown by the mower in any direction, and could cause serious personal injury to the operator and to others. In order to prevent electric shock, do not operate the mower in damp or wet conditions.
- Do not mow in circles. Travel back and forth across the lawn.
- When cutting thick grass, reduce walking speed in order to allow for a more effective cut and a proper discharge of the clippings.
- For a healthy lawn, always cut off one-third or less of the total length of the grass. The average lawn should be approximately 1.18" to 2" long during cool months, and between 2" to 3" long during hot months.

• MULCHING TIPS

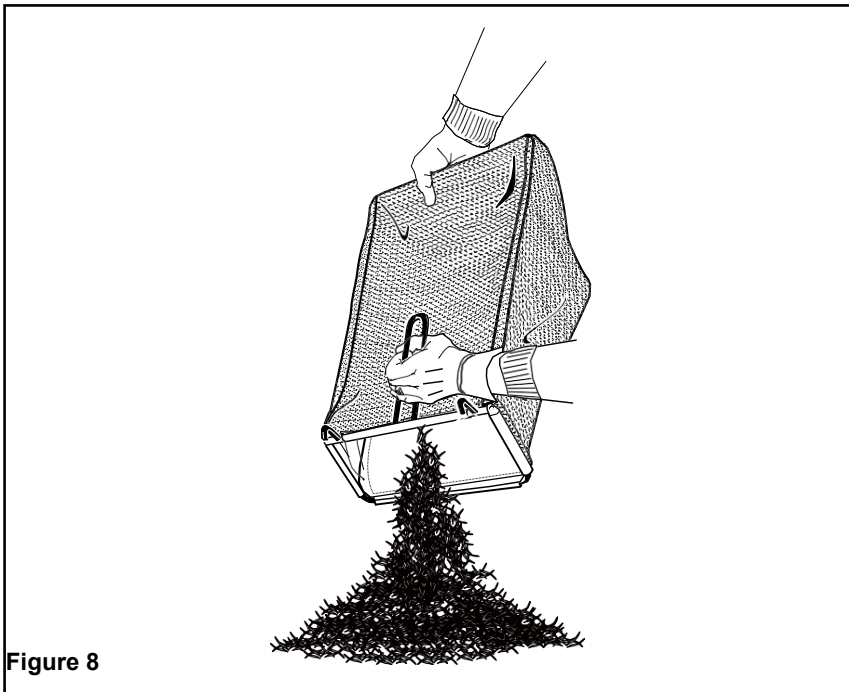
NOTE: INSPECT THE AREA WHERE THE MOWER IS TO BE USED, AND REMOVE ALL STONES, STICKS, WIRE, BONES, AND OTHER DEBRIS THAT MIGHT BE THROWN BY THE ROTATING BLADE.

- Release the switch to turn the mower OFF when crossing any graveled area (stones can be thrown by the blade).
- Set mower to the highest cutting height when mowing on uneven ground or in tall weeds.
- For effective mulching, do not cut wet grass, because it tends to stick to the underside of the deck, preventing proper mulching of grass clippings. New or thick grass may require a narrower cut. The ground speed should be adjusted to the condition of the lawn. If mowing has been delayed and the grass has been allowed to grow longer than 4", mow the lawn twice in order to reduce the grass height to a maximum of 3 1/4".
- Walk at a steady pace. Overlap the cutting rows. Do not let the grass get too tall. If the grass gets too long, start at the highest cutting position and work down to the desired cutting height.

WARNING: If you strike a foreign object, stop the motor and remove the battery. Thoroughly inspect the mower for any damage. Repair any damage before operating the mower. Excessive vibration of the mower during operation is an indication of damage. Thoroughly inspect the mower and repair any damage before operating the mower.

EMPTYING THE GRASS CATCHER BAG (See Figure 8)

- Stop mower, allow blades to completely stop, and remove the battery.
- Lift the rear chute cover.
- Lift the grass catcher bag by its handle to remove from mower.
- Empty grass clippings.
- Lift the rear chute cover and re-install the grass catcher bag as described earlier in this manual.



MAINTENANCE

CLEANING THE MOWER

WARNING: In order to reduce the risk of electric shock, do not expose the mower to water. The underside of the mower deck should be cleaned after each use, because grass clippings, leaves, dirt, and other debris will accumulate, which will cause rust and corrosion.

Remove any build-up of grass and leaves on or around the motor cover (do not use water). Occasionally wipe the mower clean with a dry cloth. If debris builds up on the underside of the mower during use, stop the motor, disconnect it from the battery, and then tilt the mower forward or on its side, and scrape it clean using an appropriate tool.

STORING THE MOWER

The following steps should be taken in order to prepare the lawn mower for storage.

- Clean the mower as described in the previous section.
- Inspect the blade, and replace it or sharpen it, if required (refer to the Maintenance section).
- Lubricate the mower.
- Store the mower in a dry, clean location. Do not store it next to corrosive materials, such as fertilizer or rock salt.
- Store the mower indoors, in a cool, dry place, out of the reach of children. Do not cover the lawn mower with a solid plastic sheet. Plastic coverings trap moisture around the mower, which causes rust and corrosion.

The handle may be folded away completely for storage. (See Figure 2)

- Lift up the nuts on the sides of the upper handle to unlock, and fold the upper handle down.
- Lift up the quick release fasteners on the side of the lower handle to unlock, pull outwards on each side of the lower handle, and lift the sides of the lower handle past the edges of the handle mounting brackets. Fold the lower handle forward. Make sure not to bend or kink the power cord.
- Remove the battery and store it in a cool dry location, if possible. Charge the battery every two weeks when not in use in order to increase its life.
- Remove the battery and store in a secure location out of the reach of children. Removal of the battery is not required for storage.

WARNING: This battery must be charged when in storage to maintain running life.

SERVICE

- When servicing the mower, use only replacement parts that are available from the manufacturer. In order to obtain replacement parts, call the toll-free helpline, at 1-800-791-9458. The use of parts that do not meet the original equipment specifications may lead to improper performance, and may compromise safety.
- Before cleaning, repairing, or inspecting, verify that the blade and all moving parts have come to a complete stop, and remove the battery. Remove the battery when making any adjustments or when any of the four wheels must be lifted off the ground.
- Keep the handles dry, clean, and free of oil and grease.
- In order to reduce the risk of fire, keep the motor free of grass, leaves, and debris build-up.
- Check the blade and motor mounting bolts for proper tightness frequently. Visually inspect blade for damage (e.g., bent, cracked, or worn).
- For best and safest performance, maintain the mower with care. Keep the mower blade sharp and clean. Mower blades are sharp, and can cut. Wrap the blades or wear gloves, and use extracautation when servicing.
- Keep all nuts, bolts, and screws tight in order to be sure that the equipment is in safe working condition.
- Never tamper with safety devices. Check them regularly for proper operation.
- After striking a foreign object, stop the motor. Thoroughly inspect the mower for any damage. Repair any damage before operating the mower.
- The grass catcher components and trail shield are subject to wear and damage, which could expose moving parts or allow objects to be thrown. As a safety precaution, check these components frequently, and immediately replace any parts that show signs of wear, or that are cracked or broken. Use original equipment manufacturer's (OEM) parts only, as listed in this manual.
- When it is not in use, store the mower indoors in a dry area, and out of the reach of children.

WARNING: ALWAYS REMOVE THE BATTERY WHEN SERVICING OR TRANSPORTING THE MOWER.

ENVIRONMENTALLY SAFE BATTERY DISPOSAL

The batteries used in this mower's battery pack contain the following toxic and corrosive material: LITHIUM-ION.

WARNING: Toxic materials must be disposed of in a specified manner in order to prevent contamination of the environment. Before disposing of damaged or worn out Lithium-Ion battery packs, contact your local waste disposal agency for information and specific instructions. Take the batteries to a local recycling and/or disposal centre that is certified for disposal. If the battery pack cracks or breaks, whether it leaks or not, do not recharge it and do not use it. Dispose of it and replace it with a new battery pack. **DO NOT ATTEMPT TO REPAIR IT!**

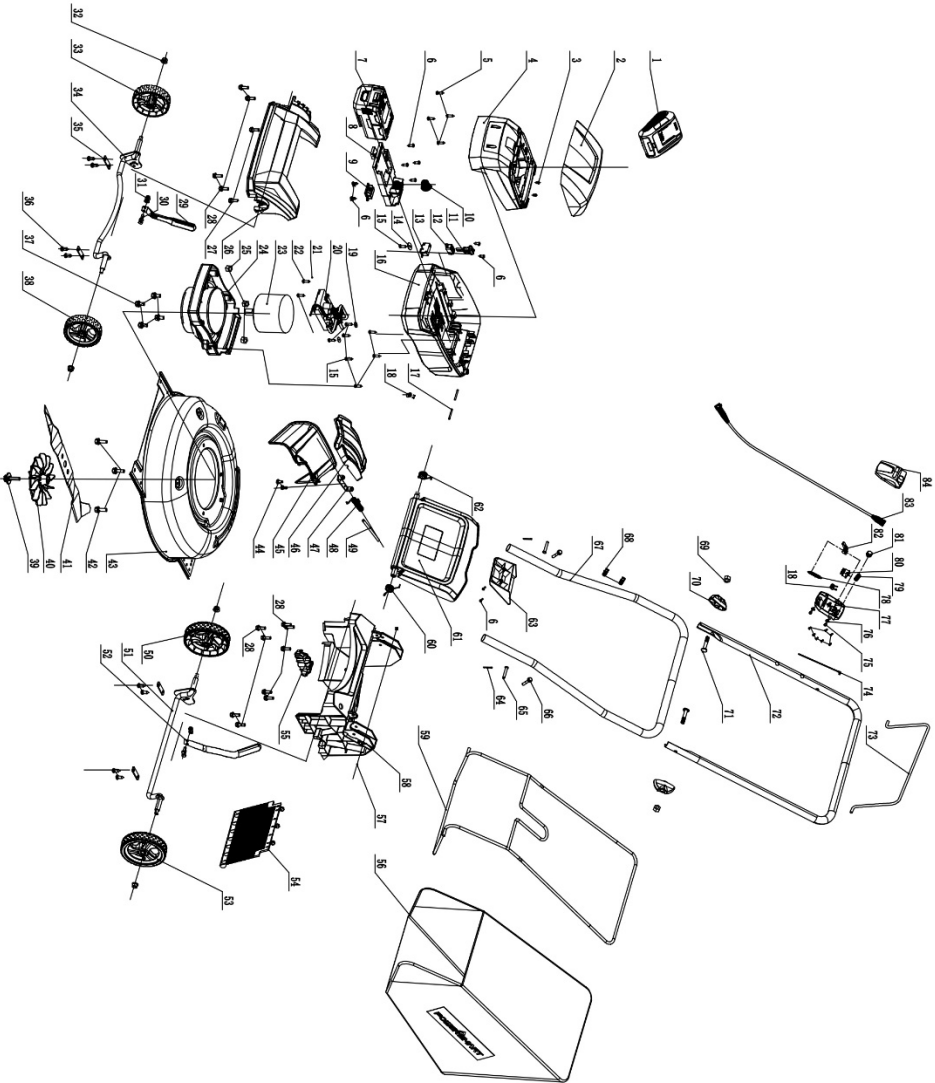
Follow these instructions in order to avoid injury and the risk of fire, explosion, or electric shock,
and to avoid damage to the environment:

- Cover the battery's terminals with heavy-duty adhesive tape.
- Do not attempt to remove or destroy any of the components of the battery pack.
- Do not attempt to open the battery pack.
- If a leak develops, the electrolytes that are released are corrosive and toxic. Do not get the solution in the eyes or on the skin, and do not swallow it.
- Do not place batteries in regular household trash.
- DO NOT incinerate batteries.
- DO NOT place batteries where they will become part of any waste landfill or municipal solid waste stream.
- Dispose of batteries at a certified recycling or disposal centre.

TROUBLESHOOTING

PROBLEM	POSSIBLE CAUSE	SOLUTION
The mower does not start.	The battery is not charged.	Charge the battery.
	The switch is defective.	Replace the switch
	Grass jammed at blade.	Remove battery; check under deck for jams.
	The battery is not attached to the motor.	Check the connection between the motor connector and the battery.
	Battery may require service or replacement.	Call customer service 1-800-791-9458 or replace battery.
The mower cuts the grass unevenly.	The lawn is rough or uneven.	Check the mowing area.
	The cutting height is not set properly.	Move the wheels to a higher setting.
The mower does not mulch properly.	Wet grass clippings are sticking to the underside of the deck.	Wait until the grass dries before mowing.
	The side discharge is missing.	Install the side discharge.
The mower is hard to push.	The grass is too tall, or the cutting height is too low.	Raise the cutting height.
	The rear of the mower housing and the blade are dragging in thick grass.	Empty the grass clippings from the grass catcher bag.
The mower is excessively noisy and vibrates.	The motor shaft is bent.	Stop the motor, and inspect for damage.
	The blade is unbalanced.	Repair before restarting. If vibration persists, call customer service at 1-800-791-9458

EXPLODED VIEW AND SPARE PART LIST



Item	Stock#	Description	Qty
1	202470013	Charger assembly	1
2	203010933	Battery pack outer upper cover	1
3	302060029	Plastic plug	2
4	203010880	Battery pack cover holder	1
5	303010237	Screw ST4.2X10	4
6	303010270	Screw ST4.2X14	17
7	202460007	Battery pack assembly	1
8	202460009	40V battery pack	1
9	203021266A	Charger cartridge holder	1
10	303130355	The battery pack spring	1
11	203021264A	Secure Key	1
12	203010783	Switch upper cover	1
13	301100055	Switch	1
14	303042019	Flat washer	1
15	303010281	Screw ST4.2X18	8
16	203021359A	Battery pack cover	1
17	303100086A	Battery pack cover shaft	2
18	203021461	The cable clamp	2
19	303042104	Flat washer	2
20	301011024	40V controller assembly	1
21	303071474	Controller pressure plate	1
22	303010377	Screw ST4.2X30	2
23	301030100	Motor	1
24	203021343	Motor base	1
25	303030036	Hex lock nut M8	3

Item	Stock#	Description	Qty
26	203052972	Front cover	1
27	303010353	Screw ST6.3X16	2
28	303010332	Screw ST6.3X20	13
29	303071058	Spring assembly	1
30	303020276	Hex bolt	4
31	303030032	Hex lock nut M6	4
32	303030077	Flange lock nut M8	4
33	203050648A	7" right wheel	1
34	303181207	Front wheel shaft welding	1
35	303071420	Wheel clamp	4
36	303010164	Screw ST6X20	8
37	303020444	Hexagon flange bolt	4
38	203050649A	7" left wheel	1
39	203021355	Blade bolt Nylon cover	1
40	203021337	Motor fan	1
41	303240634B	17" blade	1
42	303020649	Bolt M8X20	3
43	303181422	Deck	1
44	303020468	Bolt M6X10mm	2
45	203050382A	Side discharge frame	1
46	203050381B	Side discharge coverplate	1
47	303160833	Side discharge holder	1
48	303130379	Side discharge torsional spring	1
49	303090066A	Torsional spring pin	1
50	203050432A	8" right wheel	1

Item	Stock#	Description	Qty
51	303181203	Rear axle welding	1
52	303071059	Spring assembly	1
53	203050433A	8" left wheel	1
54	302080083	Plastic barrier	1
55	203050526A	Wind deflector	1
56	302120080	Collection bag	1
57	303030140A	Square nut	2
58	203050523A	Back seat	1
59	303081144A	Grass collecting support	1
60	303130364	Back cover left torsion spring	1
61	203050524A	Rear cover	1
62	303130337	Back cover right torsion spring	1
63	203050525	Rear blanking cap	1
64	303121005	Cotter	2
65	303160807	Axis pin	2
66	303020558	Flange bolts	2
67	303081315	Lower tube	1

Item	Stock#	Description	Qty
68	203050519	Clip	2
69	303030026	Thickened plain nut M8	2
70	203020336A	Knob	2
71	303020057	T-bolt M8X45	2
72	303081421	Upper tube	1
73	303080502A	Drive control bar	1
74	303200154	Cable	1
75	303010353	Screw ST6.3X16	2
76	303043009	Concave gasket	2
77	203011000	Lower switch box	1
78	303130397	Tension spring	1
79	303130396	Pressure spring	1
80	301100046	Switch	1
81	203021366	Knob	1
82	203011002	Cam	1
83	306040066	Connecting cable	1
84	203011001	Upper switch box	1

THREE (3) YEARS LIMITED WARRANTY

PowerSmart® is committed to building tools that are dependable for years. Our warranties are consistent with our commitment and dedication to quality.

THREE (3) YEARS LIMITED WARRANTY OF POWERSMART PRODUCTS FOR HOME USE.

PowerSmart ("Seller") warrants to the original purchaser only, that all PowerSmart consumer power tools will be free from defects in material or workmanship for a period of three (3) years from date of purchase. Ninety (90) days for all PowerSmart Products, if the tool is used for professional or commercial use.

SELLER'S SOLE OBLIGATION AND YOUR EXCLUSIVE REMEDY under this Three (3) Years Limited Warranty and, to the extent permitted by law, any warranty or condition implied by law, shall be the repair or replacement of parts, without charge, which are defective in material or workmanship and which have not been misused, carelessly handled, or misrepaired by persons other than Seller or Authorized Service Center. To make a claim under this Limited Warranty, you must return the entire power tool product; transportation prepaid, to PowerSmart Include a legible copy of the original receipt, which lists the date of purchase (month and year) and the name of the company purchased from.

THIS LIMITED WARRANTY DOES NOT APPLY TO ANY ACCESSORY ITEMS INCLUDED WITH THE TOOL SUCH AS CIRCULAR SAW BLADES OTHER RELATED ITEMS OR TO ANY REPLACEMENT PARTS LISTED UNDER MAINTENANCE.

ANY IMPLIED WARRANTIES SHALL BE LIMITED IN DURATION TO THREE (3) YEARS FROM DATE OF PURCHASE. SOME STATES IN THE U.S. AND SOME CANADIAN PROVINCES DO NOT ALLOW LIMITATIONS ON HOW LONG AN IMPLIED WARRANTY LASTS, SO THE ABOVE LIMITATION MAY NOT APPLY TO YOU.

IN NO EVENT SHALL SELLER BE LIABLE FOR ANY INCIDENTAL OR CONSEQUENTIAL DAMAGES (INCLUDING BUT NOT LIMITED TO LIABILITY FOR LOSS OF PROFITS) ARISING FROM THE SALE OR USE OF THIS PRODUCT. SOME STATES IN THE U.S. AND SOME CANADIAN PROVINCES DO NOT ALLOW THE EXCLUSION OR LIMITATION OF INCIDENTAL OR CONSEQUENTIAL DAMAGES, SO THE ABOVE LIMITATION OR EXCLUSION MAY NOT APPLY TO YOU.

THIS LIMITED WARRANTY GIVES YOU SPECIFIC LEGAL RIGHTS, AND YOU MAY ALSO HAVE OTHER RIGHTS WHICH VARY FROM STATE TO STATE IN THE U.S., PROVINCE TO PROVINCE IN CANADA AND FROM COUNTRY TO COUNTRY.

For questions / comments, technical assistance or repair parts –
Please call customer service at: 1-800-791-9458 (M-F 9am – 5pm EST)
Email: support@amerisuninc.com

SAVE YOUR RECEIPTS. THIS WARRANTY IS VOID WITHOUT THEM.

TABLE DES MATIÈRES

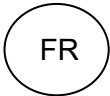


Table des matières	30
Données techniques	30
Informations sur la sécurité	31
Symboles	37
Connaître votre tondeuse à gazon	40
Assemblage.....	41
Fonctionnement	45
Maintenance	50
Service	51
Élimination correcte de la batterie pour l'environnement.....	52
Dépannage.....	53
Vue explosée.....	54
Liste des pièces	55
Garantie	57

DONNÉES TECHNIQUES

17" 40V TONDEUSE À GAZON SANS FIL	Modèle # DB2317
Type de batterie:	40 V Lithium-ion
Durée de charge:	150 minutes
Vitesse à vide:	2900 tr / min
Largeur de coupe:	17 pouces
Réglage de la hauteur:	5 positions
Capacité du sac à herbe:	11.8 Gallon
Roue:	avant: 7 pouces / arrière: 8 pouces
Dimensions de l'emballage(L x l x H):	29.5 x 20.1 x 16.5 pouces
Poids:	48.5 lbs

INFORMATIONS SUR LA SÉCURITÉ

RÈGLES DE SÉCURITÉ

AVERTISSEMENT: Lors de l'utilisation d'une tondeuse à gazon électrique, vous devez respecter des précautions de sécurité de base afin de réduire le risque d'incendie, de choc électrique et de blessures corporelles, notamment:

VEUILLEZ LIRE ATTENTIVEMENT TOUTES LES INSTRUCTIONS.

AVERTISSEMENT: Ce symbole indique des instructions de sécurité importantes. Si ces instructions ne sont pas respectées, cela pourrait mettre en danger la sécurité personnelle et / ou la propriété de l'utilisateur et d'autres personnes. Veuillez lire et comprendre toutes les instructions de ce manuel avant l'utilisation. Le non-respect de ces instructions peut entraîner des blessures.



DANGER

Cette tondeuse a été conçue pour le fonctionnement conforme aux règles de sécurité d'utilisation incluses dans ce manuel. À l'instar de tout type d'équipement électrique, la négligence ou l'erreur de l'utilisateur peut provoquer des blessures graves. Cette tondeuse peut amputer des parties du corps et éjecter des objets. Le non-respect des règles de sécurité suivantes peut entraîner des blessures graves voire la mort.

AVERTISSEMENT: Veuillez respecter toujours des précautions de sécurité de base lors de l'utilisation de cette tondeuse à gazon afin de réduire les risques d'incendie, de choc électrique et de blessures.

AVERTISSEMENT: Cette tondeuse ne peut être utilisée que par les personnes qui ont lu et compris et qui respecteront les avertissements et les instructions inclus dans ce manuel et sur la tondeuse.

- Veuillez lire attentivement toutes les instructions avant l'assemblage et l'utilisation. Veuillez conserver ce manuel dans un endroit sûr pour référence future.
- Veuillez vous familiariser avec tous les contrôles et leur correct fonctionnement. Veuillez apprendre comment arrêter la tondeuse et comment mettre hors tension en cas d'urgence.
- Afin d'éviter tout contact avec la lame ou toute blessure causée par un objet éjecté, veuillez rester dans la zone de fonctionnement derrière les poignées et éloigner les enfants et les passants à au moins 100 '(30 m) de la tondeuse au cours de son fonctionnement. Arrêtez immédiatement le moteur si quelqu'un pénètre dans la zone de fonctionnement.
- Veuillez inspecter soigneusement la zone où la tondeuse sera utilisée. Retirez toutes les pierres, bâtons, fils, os, jouets et autres objets pouvant être heurtés par la lame. Les objets projetés peuvent provoquer des blessures graves.
- Veuillez planifier votre plan de tonte pour éviter de décharger des matériaux vers les routes, les trottoirs, les passants, etc. Ne pas décharger les matériaux contre un mur ou un obstacle pour éviter de blesser l'utilisateur.

- Veuillez porter toujours un équipement de protection oculaire approprié conformément à la norme ANSI Z87.1 afin de protéger vos yeux lors de l'utilisation, du réglage ou de la réparation. Les objets éjectés peuvent blesser gravement les yeux.
- Veuillez porter toujours un masque facial ou un masque anti-poussière au cours de l'utilisation de la tondeuse dans un environnement poussiéreux.
- Veuillez vous habiller de façon correcte. Ne portez pas de vêtements amples ou de bijoux susceptibles d'entrer dans les pièces mobiles. Il est recommandé de porter des gants de protection et des chaussures de sécurité.
- De nombreuses blessures pourraient survenir lorsque la tondeuse est tirée sur le pied de l'utilisateur à cause d'une chute provoquée par un glissement ou un trébuchement. Ne pas utiliser cette tondeuse pieds nus ou en portant des sandales ou des chaussures légères (par exemple, en toile). Ne vous accrochez pas à la tondeuse si vous tombez. Relâchez immédiatement la poignée.
- Ne tirez jamais la tondeuse vers vous lorsque vous marchez. Si vous devez éloigner la tondeuse d'un mur ou d'un obstacle, regardez d'abord vers le bas et derrière afin d'éviter de trébucher, puis respectez les étapes suivantes:
 - Éloignez-vous de la tondeuse afin d'étendre complètement vos bras.
 - Assurez-vous d'être bien équilibré.
 - Tirez lentement la tondeuse vers l'arrière.
- N'utilisez la tondeuse que pour les travaux auxquels elle est destinée. Ne forcez pas la tondeuse.
- N'utilisez pas la tondeuse sous l'influence de l'alcool ou de drogues.
- Demeurez vigilant: n'utilisez pas la tondeuse lorsque vous êtes fatigué. Faites attention à ce que vous faites. Faites preuve de bon sens.
- Ne placez pas les mains ou les pieds près des pièces en rotation ou sous le plateau de coupe. Le contact avec la lame risque d'amputer les mains et les pieds.
- Ne pas essayer de régler les roues ou la hauteur de coupe pendant le fonctionnement du moteur.
- Évitez les environnements dangereux. N'utilisez pas la tondeuse sous la pluie ou dans l'herbe mouillée ou humide.
- Tondez uniquement à la lumière du jour ou sous une bonne lumière artificielle. Ne précipitez pas un travail de tonte.
- Arrêtez la lame lorsque vous traversez des rues, allées ou routes en gravier.
- Si la tondeuse commence à vibrer excessivement, arrêtez le moteur, retirez la batterie et recherchez immédiatement la cause. Les vibrations indiquent généralement que la tondeuse ne fonctionne pas correctement ou nécessite une réparation.
- Arrêtez le moteur et attendez que la lame s'arrête complètement avant de retirer le sac à herbe ou de déboucher la goulotte. La lame de coupe continuera de tourner pendant quelques secondes après l'arrêt du moteur. Ne placez aucune partie de votre corps dans la zone de la lame tant que vous n'êtes pas sûr que la lame a cessé de tourner.
- N'utilisez jamais la tondeuse sans bouclier anti-traînée, couvercle de décharge, sac à

herbe, interrupteur ou un autre dispositif de sécurité en place et en état de marche. N'utilisez pas la tondeuse avec des dispositifs de sécurité endommagés. Cela pourrait entraîner des blessures.

- Ne forcez pas la tondeuse à gazon. Il fonctionnera mieux et plus en sécurité au rythme pour lequel il a été conçu.
- Rangez la tondeuse à gazon à l'intérieur. Lorsqu'elle n'est pas utilisée, la tondeuse à gazon doit être rangée dans un endroit sec et à l'abri des regards, hors de la portée des enfants.
- Entretenez la tondeuse à gazon. Gardez les bords de coupe aiguisés et propres pour assurer les meilleures performances et la sécurité.
- Si la tondeuse à gazon heurte un objet étranger, procédez comme suit:
 - Arrêtez la tondeuse à gazon, relâchez l'interrupteur.
 - Retirez la batterie.
 - Vérifiez les dommages.
 - Réparez tout dommage avant le redémarrage et l'utilisation de la tondeuse à gazon.
 - Ne chargez pas la tondeuse à gazon sous la pluie ou dans un endroit humide.
 - Retirez ou déconnectez la batterie avant de procéder à l'entretien, au nettoyage ou au retrait des matériaux de la tondeuse à gazon.
 - Veuillez inspecter régulièrement le cordon de la tondeuse à gazon et, s'il est endommagé et faire réparer par un centre de service autorisé.
 - Utilisez uniquement des lames de rechange identiques.
 - Conservez la tondeuse à l'intérieur et ne pas l'exposer à la pluie ou à l'eau, évitez le soleil direct.

SÉCURITÉ DES ENFANTS

Des accidents tragiques pourraient survenir si l'utilisateur n'est pas conscient de la présence d'enfants.

- Tenez les enfants hors de la zone de tonte et sous la surveillance d'un adulte responsable.
- Ne laissez pas les enfants de moins de 14 ans utiliser cette tondeuse. Les enfants de 14 ans et plus doivent lire et comprendre les instructions et les règles de sécurité de ce manuel, et doivent être formés et supervisés par un parent.
- Demeurez vigilant et éteignez la tondeuse si un enfant ou toute autre personne pénètre dans la zone de tonte.
- Vérifiez s'il y a des petits enfants avant et lors du déplacement vers l'arrière.
- Soyez extrêmement prudent lorsque vous approchez des coins aveugles, des portes, des arbustes, des arbres ou d'autres objets qui peuvent obscurcir la vue d'un enfant courant sur le chemin de la tondeuse.

BATTERIE ET CHARGEUR

ATTENTION: UTILISEZ UNIQUEMENT DES BATTERIES DE REMPLACEMENT APPROUVÉES PAR POWERSMART, CAR D'AUTRES BATTERIES PEUVENT CAUSER DES BLESSURES OU DES DOMMAGES À LA TONDEUSE. Utilisez ce produit uniquement avec les batteries POWERSMART 40V.

RÈGLES DE SÉCURITÉ DE LA BATTERIE

- Les outils fonctionnant sur batteries n'ayant pas besoin d'être branchés sur une prise secteur, ils sont toujours en état de fonctionnement. Tenez compte des dangers possibles lorsque l'outil n'est pas en usage et lors du remplacement des batteries. Le respect de cette consigne réduira les risques d'incendie, de choc électrique et de blessures graves.
- Ne pas placer les outils électriques sans fil ou leurs batteries à proximité des flammes ou d'une source de chaleur. Ceci réduira les risques d'explosion et de blessures.
- Ne pas écraser, faire tomber ou endommager le bloc-batterie. Ne jamais utiliser un bloc-batterie ou un chargeur qui est tombé, a été écrasé, a reçu un choc violent ou a été endommagé de quelque façon que ce soit. Une batterie endommagée risque d'exploser. Éliminez immédiatement toute batterie endommagée, selon une méthode appropriée.
- Les batteries peuvent exploser en présence d'une source d'allumage, telle qu'une veilleuse. Pour réduire les risques de blessures graves, ne jamais utiliser un appareil sans fil, quel qu'il soit, en présence d'une flamme vive. En explosant, une batterie peut projeter des débris et des produits chimiques. En cas d'exposition, rincer immédiatement les parties atteintes avec de l'eau. Ne chargez pas l'outil de batterie dans un endroit humide ou mouillé. Le respect de cette règle réduira le risque de choc électrique.
- Pour de meilleurs résultats, votre outil fonctionnant sur batteries doit être chargé dans un endroit où la température est supérieure à 45 ° F mais inférieure à 104 ° F. Afin de réduire le risque de blessures graves, ne pas entreposer à l'extérieur ou dans des véhicules.
- Dans des conditions d'utilisation ou de température extrêmes, une fuite de la batterie pourrait se produire. Si du liquide entre en contact avec votre peau, lavez-vous immédiatement à l'eau et au savon. Si du liquide pénètre dans vos yeux, rincez-les à l'eau propre pendant au moins 10 minutes, puis consultez immédiatement un médecin. Le respect de cette règle réduira le risque de blessures graves.
- Lorsque le bloc-batterie n'est pas utilisée, éloignez-la des autres objets métalliques tels que les clips de papier, les pièces de monnaie, les clés, les clous, les vis ou autres petits objets métalliques susceptibles d'établir une connexion d'une borne à une autre. Un court-circuit entre les bornes de la batterie peut provoquer des étincelles, des brûlures ou un incendie.
- Retirez toujours la batterie de votre outil lorsque vous assemblez des pièces, effectuez des réglages, nettoyez ou lorsque vous ne l'utilisez pas. Le retrait de la batterie empêchera un démarrage accidentel qui pourra entraîner des blessures graves.
- Retirez toujours la batterie avant de ranger l'appareil. Lorsque la batterie est

complètement chargée, débranchez le chargeur de l'alimentation électrique et retirez la batterie du chargeur.

- Portez toujours des lunettes de protection avec des protections latérales marquées conformément à la norme ANSI Z87.1, ainsi qu'une protection auditive. Si vous ne le faites pas, des objets pourraient être éjectés dans les yeux, ce qui provoquera des blessures graves.
- Gardez la batterie au sec, propre et exempte d'huile et de graisse. Nettoyez-la toujours à l'aide d'un chiffon propre. Ne nettoyez jamais la batterie avec du liquide de frein, de l'essence, des produits à base de pétrole ou des solvants.
- N'ouvrez pas et n'endommagez pas la batterie. L'électrolyte libéré est corrosif et peut endommager les yeux ou la peau. Il peut être toxique en cas d'ingestion.

ENTRETIEN CORRECT DE LA BATTERIE

Entreposage hors saison

Pour prolonger la durée de vie de la batterie autant que possible, il est recommandé de:

- Retirer la batterie du chargeur une fois qu'elle est complètement chargée et prête à l'emploi. Pour le stockage de la batterie de plus de 30 jours:
- Stocker le bloc-batterie à une température inférieure à 80 ° F et à l'abri de l'humidité.
- Stocker le bloc-batterie dans un état de charge de 30% à 50%.
- Charger le bloc-batterie tous les deux mois de stockage.

RÈGLES DE SÉCURITÉ DU CHARGEUR

- Chargez la batterie de la tondeuse dans un endroit sec et à l'abri des intempéries. N'exposez pas la tondeuse ou le chargeur à la pluie. Ne chargez pas la batterie dans un endroit humide. Utilisez le chargeur de batterie à des températures comprises entre 45 ° et 104 ° F. Afin de réduire le risque de choc électrique, utilisez uniquement le chargeur fourni par le fabricant pour la recharge..
- N'ABUSEZ PAS DU CORDON DE CHARGE. Ne transportez jamais le chargeur par le cordon. Ne pas débrancher le chargeur de la prise ou de la tondeuse en tirant sur le cordon du chargeur.
- N'utilisez pas un chargeur endommagé. Remplacez immédiatement les cordons du chargeur ou le chargeur.
- Tenez la tondeuse et le chargeur éloignés de l'eau, des sources de chaleur (radiateurs, réchauffeurs, poêles, etc.), des flammes et des produits chimiques.
- Assurez-vous que le bloc-batterie est fixé dans le chargeur avant l'utilisation.
- Le bloc-batterie devient légèrement chaud au toucher pendant la charge. C'est un phénomène normal qui n'indique pas de problème.
- Ne placez pas le chargeur et la batterie dans une zone de chaleur ou de froid extrême. Ils fonctionneront mieux à une température ambiante normale.
- Lorsque les batteries sont complètement chargées, débranchez le chargeur de l'alimentation électrique et retirez le bloc-batterie.

AVERTISSEMENT: lors du transport ou de l'entretien de l'unité, retirez toujours la batterie.

AVERTISSEMENT: Certaines poussières créées par le ponçage, le sciage, le meulage, le forage et d'autres activités de construction contiennent des produits chimiques connus de l'état de Californie pour causer le cancer et les anomalies congénitales et autres dommages à la reproduction. Quelques exemples de ces produits chimiques sont :






- le plomb à partir de peintures à base de plomb
- la silice cristalline à partir de briques, le ciment et autres produits de maçonnerie
- l'arsenic et le chrome provenant du bois traité chimiquement.





Votre risque découlant de ces expositions varie selon la fréquence à laquelle vous faites ce type de travail.





Pour réduire votre exposition à ces produits chimiques: travaillez dans un endroit bien ventilé et avec un équipement de sécurité approuvé, par exemple, les masques anti-poussière spécialement conçus pour filtrer les particules microscopiques.

SYMBOLES

Certains des symboles suivants peuvent être utilisés sur ce produit. S'il vous plaît, étudiez-les et apprenez à les connaître. Une interprétation correcte de ces symboles vous permettra d'utiliser le produit mieux et de manière plus sûre.

SYMBOLE	NOM	DÉSIGNATIONS
V	Volts	Tension
A	Ampères	Courant
Hz	Hertz	Fréquence (cycles par seconde)
W	Watts	Puissance
min	Minutes	Temps
---	Courant continu	Type ou caractéristique de courant
n ₀	Pas de vitesse de chargement	Vitesse rationnelle, sans charge
/min	Par minute	Rotation, course, vitesse de surface, orbites, etc., par minute
	Alerte de sécurité	Indique un risque potentiel de blessure corporelle.
	Alerte de conditions humides	Risque de coupure / démembrement de la main. Éloignez vos mains de la lame rotative.
	AVERTISSEMENT	Pour réduire le risque de blessure, l'utilisateur doit lire le manuel d'instructions.
	Protection des yeux	Portez des lunettes et une protection auditive. Pour vous protéger contre les blessures, portez des protège-oreilles et des lunettes de sécurité.
	Éloigner les mains et les pieds	Gardez les mains et les pieds éloignés de la lame et de la zone de coupe.

	Hors de la portée	Coupure des orteils ou des doigts par la lame de la tondeuse rotative.
	Risque de glissement	Risque de glissement sur pente - Soyez extrêmement prudent lorsque vous tondez sur des pentes pour éviter les accidents de glissement et de chute.
	Éloigner les passants	Gardez tous les passants à au moins 100 pieds.
	ATTENTION	Les objets ramassés et éjectés par la lame rotative peuvent provoquer de graves blessures.

SYMBOLE	NOM	DESCRIPTIONS
	DANGER	Indique une situation dangereuse imminente qui, si elle n'est pas évitée, peut entraîner la mort ou des blessures graves.
	ALERTE DE CONDITIONS HUMIDES	Ne pas exposer à la pluie ou utiliser dans des endroits humides
	AVERTISSEMENT	Indique une situation potentiellement dangereuse qui, si elle n'est pas évitée, peut entraîner la mort ou des blessures graves.
	ATTENTION	Indique une situation potentiellement dangereuse qui, si elle n'est pas évitée, peut entraîner des blessures petites ou moyennes.

PROTECTION DE L'ENVIRONNEMENT



Les produits électriques usagés ne doivent pas être jetés avec les ordures ménagères. Veuillez recycler là où il y a des installations.

Renseignez-vous auprès des autorités locales ou de votre détaillant pour le recyclage.

La batterie contient des matières dangereuses pour vous et pour l'environnement. Elle doit être enlevée et éliminée séparément dans une installation qui accepte les batteries au lithium-ion.

SERVICE

L'entretien nécessite un soin et des connaissances extrêmes et ne doit être effectué que par un technicien de maintenance qualifié. Pour le service, nous vous recommandons de retourner le produit à votre CENTRE DE SERVICE AUTORISÉ le plus proche pour la réparation. Lors de l'entretien, utilisez uniquement des pièces de rechange identiques.

AVERTISSEMENT: Pour éviter des blessures graves, n'essayez pas d'utiliser ce produit avant d'avoir lu attentivement ce manuel et de l'avoir bien compris. Si vous ne comprenez pas les avertissements et les instructions de ce manuel, n'utilisez pas ce produit. **Appelez la ligne d'assistance gratuite (1-800-791-9458) pour obtenir de l'aide.**

AVERTISSEMENT :

L'utilisation d'un outil électrique peut entraîner la projection de corps étrangers dans les yeux, ce qui peut entraîner de graves lésions oculaires.

Avant de commencer à utiliser l'outil motorisé, toujours porter des lunettes de protection avec écrans latéraux et, le cas échéant, un écran facial intégral. Nous recommandons l'utilisation du masque de sécurité à vision large sur des lunettes de sécurité standard avec écrans latéraux. Toujours utiliser une protection oculaire conforme à la norme ANSI Z87.1.

CONNAÎTRE VOTRE TONDEUSE À GAZON

Veillez lire les instructions d'utilisation et les règles de sécurité avant l'utilisation de votre tondeuse à gazon. Comparez l'illustration sur la figure 1 à votre tondeuse à gazon afin de vous familiariser avec l'emplacement des divers contrôles et les réglages. Veuillez conserver ce manuel pour référence future.

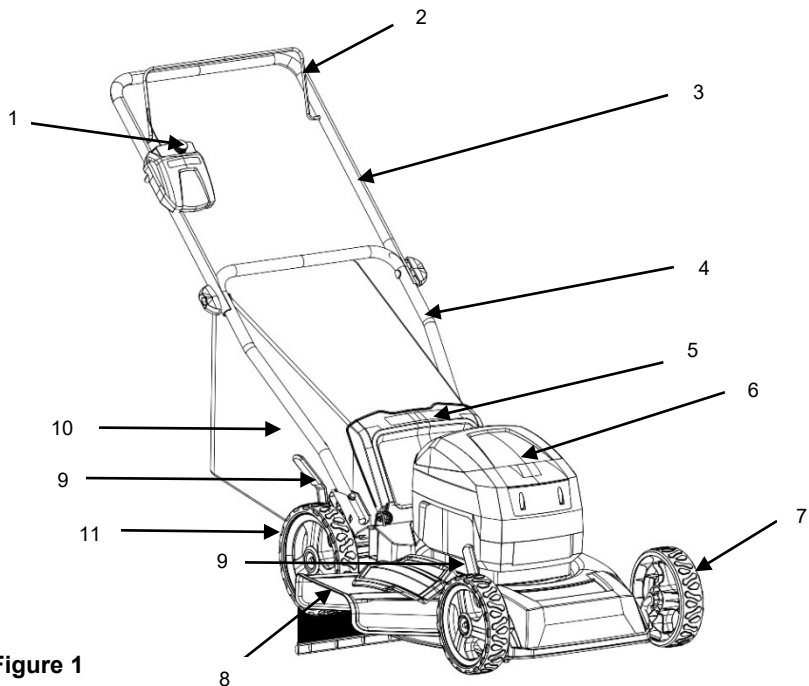


Figure 1

- | | | | |
|---|-------------------------------|----|--|
| 1 | Bouton d'interrupteur | 7 | Roue avant |
| 2 | Commande de démarrage/arrêt | 8 | Goulotte de décharge latérale |
| 3 | Poignée supérieure | 9 | Levier de réglage de la hauteur de coupe |
| 4 | Poignée inférieure | 10 | Sac à herbe |
| 5 | Couvercle de décharge arrière | 11 | Roue arrière |
| 6 | Boîte de batterie | | |

INSTRUCTIONS D'ASSEMBLAGE

DÉBALLAGE

- Retirez soigneusement le produit et tous les accessoires de la boîte. Assurez-vous que tous les articles répertoriés dans la liste de colisage sont présents.
- Inspectez soigneusement le produit pour vous assurer qu'aucune rupture ou dommage ne s'est produit pendant le transport.
- Ne jetez pas la boîte d'emballage avant d'avoir soigneusement inspecté et utilisé le produit de manière satisfaisante.
- Si des pièces sont endommagées ou manquantes, veuillez appeler le 1-800-791-9458 pour obtenir de l'aide.

LISTE DE COLISAGE

- Tondeuse à gazon
- Décharge latérale
- Sac à herbe
- 2 vis
- Bloc-batterie
- Chargeur
- Manuel d'instructions
- 2 Clips de câble

AVERTISSEMENT: Si des pièces sont endommagées ou manquantes, n'utilisez pas ce produit tant que les pièces n'ont pas été remplacées. L'utilisation d'un produit avec des pièces endommagées ou manquantes peut entraîner des blessures graves.

AVERTISSEMENT: N'essayez pas de modifier ce produit ou de créer des accessoires non recommandés pour une utilisation avec ce produit. Toute altération ou modification de ce type constitue une mauvaise utilisation et pourrait entraîner un danger pour la santé et la sécurité des personnes.

AVERTISSEMENT: N'insérez pas la batterie tant que l'assemblage n'est pas terminé et que vous n'êtes pas prêt à tondre. Le non-respect de cette consigne peut entraîner un démarrage accidentel et des blessures graves.

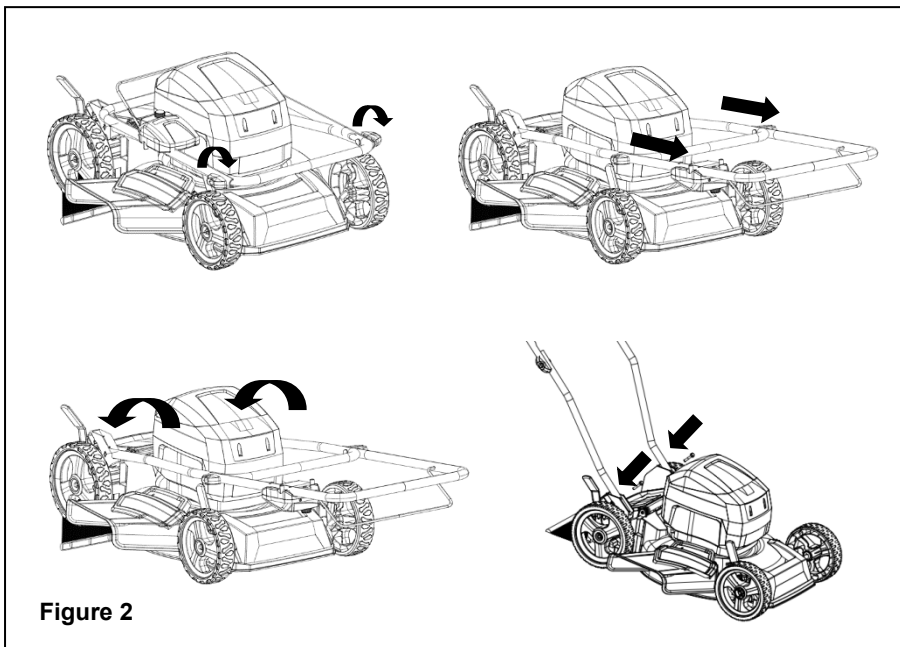
AVERTISSEMENT: Pour éviter tout démarrage accidentel pouvant entraîner des blessures graves, retirez toujours la batterie du produit lors de l'assemblage des pièces.

AVERTISSEMENT: N'utilisez jamais la tondeuse sans dispositifs de sécurité appropriés en place et en fonctionnement. N'utilisez jamais la tondeuse avec des dispositifs de sécurité endommagés. L'utilisation de ce produit avec des pièces endommagées ou manquantes peut entraîner des blessures graves.

ATTACHER LES POIGNÉES INFÉRIEURE ET SUPÉRIEURE (voir la figure 2)

1. Desserrez deux boutons et tournez le tube supérieur plié pour correspondre au tube inférieur, puis serrez le bouton.

2. Tournez le tube inférieur à un angle qui correspond à la base et serrez-le à l'aide de deux vis. (Deux vis se trouvent dans le sac d'accessoires.)



COMMENT INSTALLER LE SAC À HERBE (voir la figure 3)

- Soulevez le couvercle de la goulotte (1).
- Soulevez le sac à herbe par sa poignée (2) et placez-le sous le couvercle de la goulotte de sorte que les crochets (3) du châssis du sac à herbe soient placés dans les fentes du support de poignée.
- Libérez le couvercle de la goulotte. Lorsque les crochets du sac à herbe sont installés correctement, ils reposeront solidement dans les fentes du support de poignée.

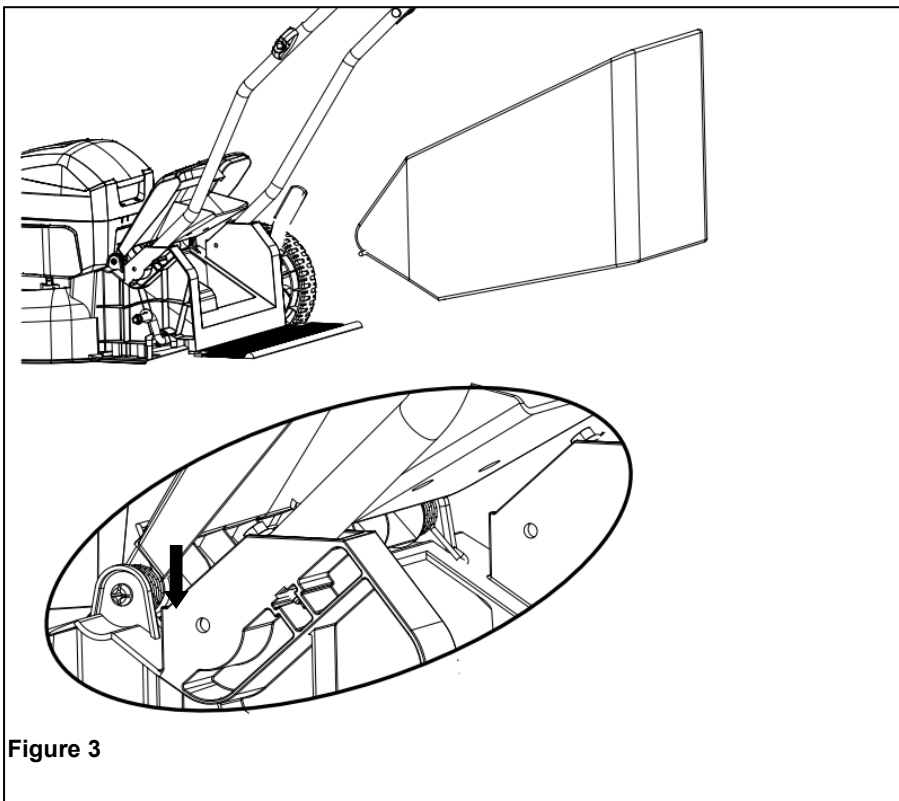
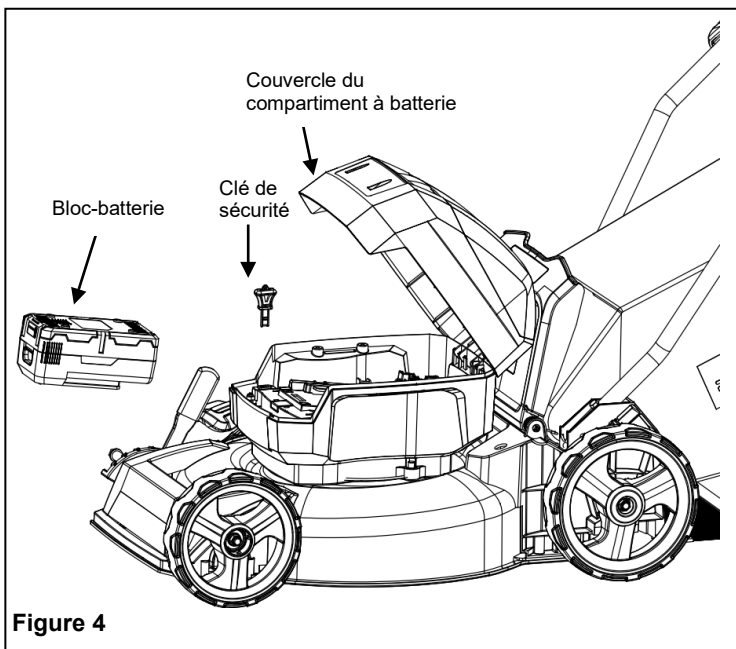


Figure 3

COMMENT INSTALLER LE BLOC-BATTERIE (voir la figure 4)

- Soulevez et maintenez le couvercle du compartiment à batterie.
- Placez le bloc-batterie sur la tondeuse. Alignez les nervures guidées du bloc-batterie avec les rainures du port de batterie du produit.
- Assurez-vous que le loquet situé en bas du bloc-batterie s'enclenche en place et que le bloc-batterie est bien inséré et bien fixé dans le produit avant de commencer l'utilisation.
- Insérez la clé de sécurité.
- Si le produit n'est pas utilisé immédiatement, n'insérez pas la clé de sécurité.
- Fermez le couvercle.



COMMENT RETIRER LE BLOC-BATTERIE(voir la figure 4)

- Relâchez le levier d'alimentation pour arrêter le produit.
- Retirez la clé de sécurité.
- Appuyez et maintenez enfoncé le bouton de verrouillage de la batterie au bas du bloc-batterie.
- Retirez le bloc-batterie du produit.

FONCTIONNEMENT

MISE EN MARCHÉ/ ARRÊT DE LA TONDEUSE (voir la figure 5)

Pour démarrer le moteur:

- Maintenez-enfoncé le bouton de démarrage(1).
- Tout en maintenant-enfoncé le bouton de démarrage, tirez le levier de commutation (2) vers vous jusqu'à ce qu'elle touche la poignée. Une fois que la tondeuse à gazon démarre, relâchez le bouton de démarrage.

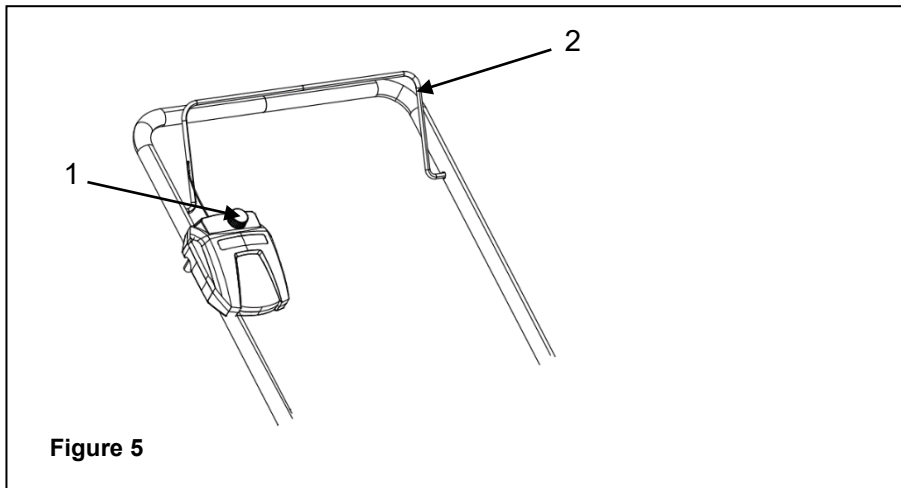


Figure 5

Pour arrêter le moteur:

- Relâchez le levier de commutation (2).

Démarrage en douceur

Cette tondeuse LI-ION est équipée d'une fonction de «démarrage en douceur». Lors du premier démarrage, la tondeuse prendra environ 3 secondes pour atteindre sa vitesse maximale. Si la tondeuse ne démarre pas initialement: retirez la batterie et vérifiez le carter de tondeuse pour vous assurer que rien n'obstrue la lame et que la lame peut tourner librement à la main. Même une petite quantité d'herbe au démarrage empêchera le «démarrage en douceur».

ATTENTION: N'essayez pas de forcer le fonctionnement via le bouton de démarrage ou le levier d'alimentation.

AVERTISSEMENT: Le fonctionnement de toute tondeuse peut entraîner des projections de corps étrangers dans les yeux, ce qui peut provoquer de graves lésions oculaires. Portez toujours des lunettes de sécurité lorsque vous utilisez la tondeuse et lorsque vous effectuez tous réglages ou réparations.

AVERTISSEMENT: Veillez à ce que les autres personnes et les animaux domestiques restent à au moins 100 pi (30 m) de distance lors de l'utilisation de la tondeuse.

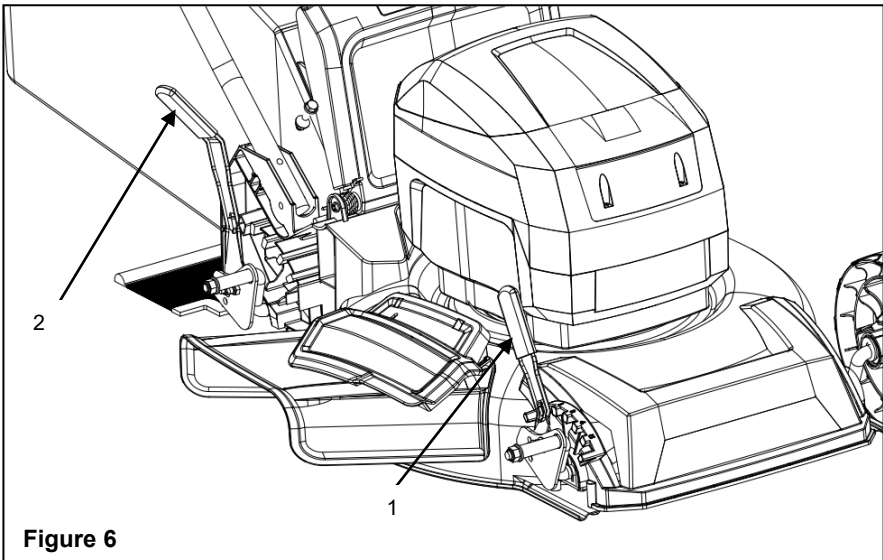
INSPECTER LA ZONE DE COUPE. Retirez toutes les pierres, bâtons, fils, os et autres débris qui pourraient être projetés par les lames rotatives.

RÉGLAGE DE LA HAUTEUR DE COUPE (voir la figure 6)

Avant l'expédition, les roues de la tondeuse sont réglées sur la position de coupe la plus basse. Avant la première utilisation, augmentez la position de coupe à la hauteur qui convient le mieux à votre pelouse. La pelouse moyenne doit être comprise entre 1.18 "et 2" pendant les mois frais et entre 2 "et 3" pendant les mois chauds.

Pour régler la hauteur de la lame:

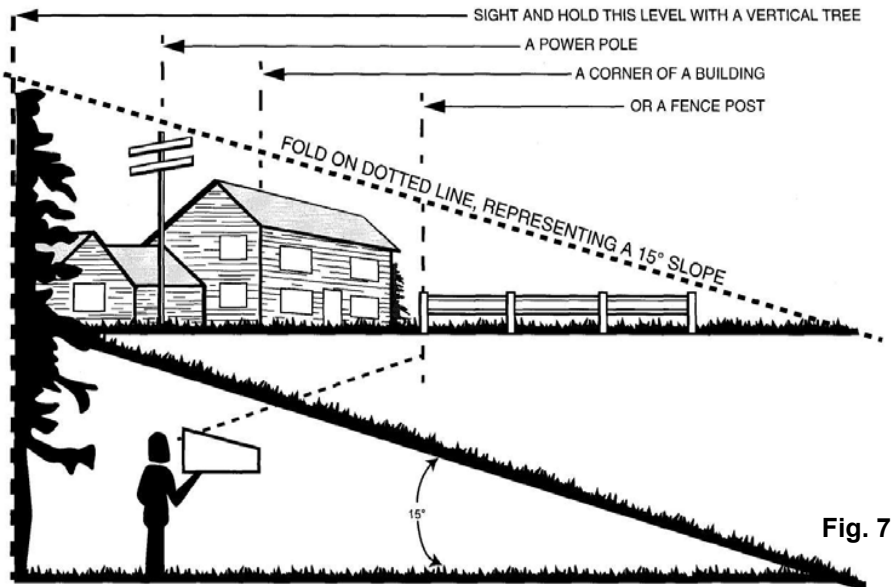
- Afin d'augmenter la hauteur de la lame, saisissez le levier de réglage de la hauteur avant (1) et le levier de réglage de la hauteur arrière (2) pour le déplacer vers l'avant de la tondeuse.
- Pour abaisser la hauteur de la lame, saisissez le levier de réglage de la hauteur (1) et le levier de réglage de la hauteur arrière (2) pour le déplacer vers l'arrière de la tondeuse.



- Assurez-vous de maintenir les leviers avant et arrière dans la même position avant l'utilisation.

AVERTISSEMENT: Les pentes sont un facteur majeur lié aux accidents impliquant des glissades et des chutes, ce qui peut causer des blessures graves. L'utilisation de la tondeuse sur une pente nécessite une prudence supplémentaire. Si vous vous sentez mal à l'aise sur une pente, ne la tondez pas. Pour votre sécurité, utilisez la jauge de pente incluse dans ce manuel pour mesurer les pentes avant d'utiliser cet appareil sur une zone en pente ou vallonnée.

- Tondez sur la face d'une pente, et jamais de haut en bas. Soyez extrêmement prudent lorsque vous changez de direction sur une pente.
- Faites attention aux trous, ornières, rochers, objets cachés ou bosses qui peuvent provoquer un glissement ou un trébuchement. L'herbe haute peut cacher les obstacles.
- Attention toujours à votre position. Si vous avez l'impression de perdre l'équilibre, relâchez immédiatement la poignée de commande de la lame / du moteur. La lame cessera de tourner dans les 3 secondes.
- Ne tondez pas à proximité de trous, de fossés ou de talus, car vous pourriez perdre votre équilibre.
- Ne tondez pas une pente dont l'angle est supérieur à 15° , comme déterminé à l'aide de la jauge de pente.



- Ne tondez pas l'herbe mouillée ou humide. Une semelle instable peut provoquer un glissement.

AVERTISSEMENT: ne tondez pas une pente dont l'angle est supérieur à 15° (une

élévation d'environ 2 1/2 '[0.75 m] tous les 10' [3 m]). Tondez sur la face d'une pente, et jamais de haut en bas.

CONSEILS SUR LA TONTE

REMARQUE: Une lame tranchante améliorera considérablement les performances de la tondeuse, en particulier lors de la coupe de hautes herbes. Assurez-vous de vérifier la lame et de l'aiguiser au moins une fois par an, comme décrit dans la section Maintenance.

- Vérifiez que la pelouse est exempte de pierres, de bâtons, de fils et d'autres objets qui pourraient endommager les lames ou le moteur. Ces objets pourraient être projetés accidentellement par la tondeuse dans n'importe quelle direction et pourraient causer des blessures graves à l'utilisateur et à d'autres personnes. Pour éviter les chocs électriques, n'utilisez pas la tondeuse dans des conditions humides ou mouillées.
- Ne tondez pas en cercles. Déplacez d'avant en arrière sur la pelouse.
- Lorsque vous coupez de l'herbe épaisse, réduisez la vitesse de marche afin de permettre une coupe plus efficace et une bonne évacuation des tontes.
- Pour une pelouse saine, coupez toujours un tiers ou moins de la longueur totale de l'herbe. La pelouse moyenne devrait être d'environ 1.18" à 2" de long pendant les mois frais et entre 2" à 3" de long pendant les mois chauds.

CONSEILS SUR LE PAILLAGE

REMARQUE: Inspectez la zone d'utilisation de la tondeuse et enlevez toutes les pierres, bâtons, fils, os et autres débris qui pourraient être jetés par la lame rotative.

- Relâchez l'interrupteur pour éteindre la tondeuse lorsque vous traversez une zone de gravier (des pierres peuvent être projetées par la lame).
- Réglez la tondeuse à la hauteur de coupe la plus élevée lorsque vous tondez sur un sol inégal ou dans des herbes hautes.
- Pour rendre le paillage efficace, ne coupez pas l'herbe mouillée, car elle a tendance à adhérer à la face inférieure du plateau, empêchant un paillage approprié des tontes de gazon. L'herbe nouvelle ou épaisse peut nécessiter une coupe plus étroite. La vitesse au sol doit être adaptée à l'état de la pelouse. Si la tonte a été retardée et que l'herbe a pu pousser plus de 4 ", tondez la pelouse deux fois afin de réduire la hauteur de l'herbe à un maximum de 3 1/4".
- Marchez à un rythme stable. Superposez les rangées de coupe. Ne laissez pas l'herbe devenir trop haute. Si l'herbe devient trop longue, commencez à la position de coupe la plus élevée et descendez jusqu'à la hauteur de coupe souhaitée.

AVERTISSEMENT: Si vous heurtez un objet étranger, arrêtez le moteur et retirez la batterie. Inspectez soigneusement la tondeuse pour tout dommage. Réparez tout dommage avant l'utilisation. Des vibrations excessives de la tondeuse pendant le fonctionnement indiquent des dommages. Inspectez soigneusement la tondeuse et réparez tout dommage avant d'utiliser la tondeuse.

VIDANGE DU SAC À HERBE (Voir la figure 8)

- Arrêtez la tondeuse, laissez les lames s'arrêter complètement et retirez la batterie.
- Soulevez le couvercle de la goulotte arrière.
- Soulevez le sac à herbe par sa poignée pour le retirer de la tondeuse.
- Videz les débris de coupe.
- Soulevez le couvercle de la goulotte arrière et réinstallez le sac à herbe comme décrit susmentionné dans ce manuel.



Figure 8

MAINTENANCE

NETTOYAGE DE LA TONDEUSE

AVERTISSEMENT: Afin de réduire le risque de choc électrique, n'exposez pas la tondeuse à l'eau. Le dessous du carter de tondeuse doit être nettoyé après chaque utilisation, car les tontes de gazon, les feuilles, la saleté et les autres débris s'accumuleront, ce qui pourra causer la rouille et la corrosion.

Retirez toute accumulation d'herbes et de feuilles sur ou autour du couvercle du moteur (n'utilisez pas d'eau). Essuyez de temps en temps la tondeuse à l'aide d'un chiffon sec. Si des débris s'accumulent sur le dessous de la tondeuse au cours de l'utilisation, arrêtez le moteur, débranchez-le de la batterie, puis inclinez la tondeuse vers l'avant ou sur le côté, et raclez-la à l'aide un outil approprié.

STOCKAGE DE LA TONDEUSE

Respectez les étapes suivantes afin de préparer la tondeuse à gazon pour le stockage.

- Nettoyez la tondeuse comme décrit dans la section précédente.
- Inspectez la lame et remplacez-la ou affûtez-la si nécessaire (reportez-vous à la section Maintenance).
- Lubrifiez la tondeuse.
- Rangez la tondeuse dans un endroit sec et propre. Ne la stockez pas à côté de matériaux corrosifs, tels que les engrais ou le sel gemme.
- Rangez la tondeuse à l'intérieur, dans un endroit frais et sec, hors de la portée des enfants. Ne couvrez pas la tondeuse à gazon avec une feuille de plastique solide. Les revêtements en plastique garderont l'humidité autour de la tondeuse, ce qui provoquera de la rouille et de la corrosion.

La poignée peut être complètement repliée pour le stockage. (voir la figure 2)

- Soulevez les écrous sur les côtés de la poignée supérieure pour déverrouiller et plier la poignée supérieure vers le bas.
- Soulevez les attaches à libération rapide sur le côté de la poignée inférieure pour le déverrouillage, tirez vers l'extérieur de chaque côté de la poignée inférieure et soulevez les côtés de la poignée inférieure au-delà des bords des supports d'assemblage de la poignée. Pliez la poignée inférieure vers l'avant. Ne pas incliner ou plier le cordon d'alimentation.
- Retirez la batterie et stockez-la si possible dans un endroit frais et sec. Chargez la batterie toutes les deux semaines lorsqu'elle n'est pas utilisée afin d'augmenter sa durée de vie.
- Retirez la batterie et stockez-la dans un endroit sûr, hors de la portée des enfants. Le retrait de la batterie n'est pas nécessaire pour le stockage.

AVERTISSEMENT: Cette batterie doit être chargée lorsqu'elle est stockée pour maintenir sa durée de vie.

SERVICE

- Lors de la maintenance de la tondeuse, utilisez uniquement des pièces de rechange disponibles auprès du fabricant. Afin d'obtenir des pièces de rechange, appelez la ligne d'assistance gratuite au 1-800-791-9458. L'utilisation de pièces non conformes aux spécifications de l'appareil d'origine peut causer des performances incorrectes et mettre en danger la sécurité.
- Avant le nettoyage, la réparation ou l'inspection, vérifiez que la lame et toutes les pièces mobiles sont complètement arrêtées et retirez la batterie. Retirez la batterie lorsque vous effectuez des réglages ou lorsque l'une des quatre roues doit être soulevée du sol.
- Gardez les poignées sèches, propres et exemptes d'huile et de graisse.
- Afin de réduire les risques d'incendie, veuillez garder le moteur exempt d'herbe, de feuilles et de débris.
- Veuillez vérifier fréquemment le serrage des boulons d'assemblage de la lame et du moteur. Inspectez visuellement la lame pour détecter tout dommage (par exemple, tordu, fissuré ou usé).
- Pour des performances optimales et sûres, veuillez entretenir la tondeuse avec soin. Gardez la lame de la tondeuse affûtée et propre. Les lames de la tondeuse sont tranchantes et peuvent couper. Enveloppez les lames ou portez des gants et faites preuve de prudence lors de la maintenance.
- Gardez tous les écrous, boulons et vis bien serrés afin de vous assurer que l'équipement est en bon état de fonctionnement.
- Ne modifiez jamais les dispositifs de sécurité. Vérifiez régulièrement leur bon fonctionnement.
- Si ce produit a heurté un corps étranger, arrêtez le moteur. Inspectez soigneusement la tondeuse. Réparez tout dommage avant la mise en marche.
- Les composants du sac à herbe et le bouclier anti-traînée sont sujets à l'usure et aux dommages, ce qui pourrait exposer les pièces mobiles ou causer la projection d'objets. Pour des raisons de sécurité, vérifiez fréquemment ces composants et remplacez immédiatement toute pièce présentant des signes d'usure ou fissurée ou cassée. Utilisez uniquement les pièces du fabricant d'appareil d'origine (OEM), comme indiqué dans ce manuel.
- Lorsque la tondeuse n'est pas utilisée, stockez-la à l'intérieur dans un endroit sec et hors de portée des enfants.

AVERTISSEMENT: TOUJOURS ENLEVER LA BATTERIE LORS DE LA MAINTENANCE OU DU TRANSPORT DE LA TONDEUSE.

ÉLIMINATION CORRECTE DE LA BATTERIE POUR L'ENVIRONNEMENT

Les batteries utilisées dans le bloc-batterie de cette tondeuse sont faites en matériau toxique et corrosif suivant: LITHIUM-ION.

AVERTISSEMENT: Les matériaux toxiques doivent être éliminés d'une manière spécifiée afin d'éviter la contamination de l'environnement. Avant de jeter les batteries au lithium-ion endommagées ou usées, veuillez contacter votre agence locale d'élimination des déchets afin d'obtenir des informations et des instructions spécifiques. Envoyez les batteries à un centre local de recyclage et / ou d'élimination autorisé pour l'élimination. Si la batterie se fissure ou se casse, ou en cas de fuite, ne la rechargez pas et ne l'utilisez pas. Jetez-la et remplacez-la par une nouvelle batterie. **N'ESSAYEZ PAS LA RÉPARATION!**

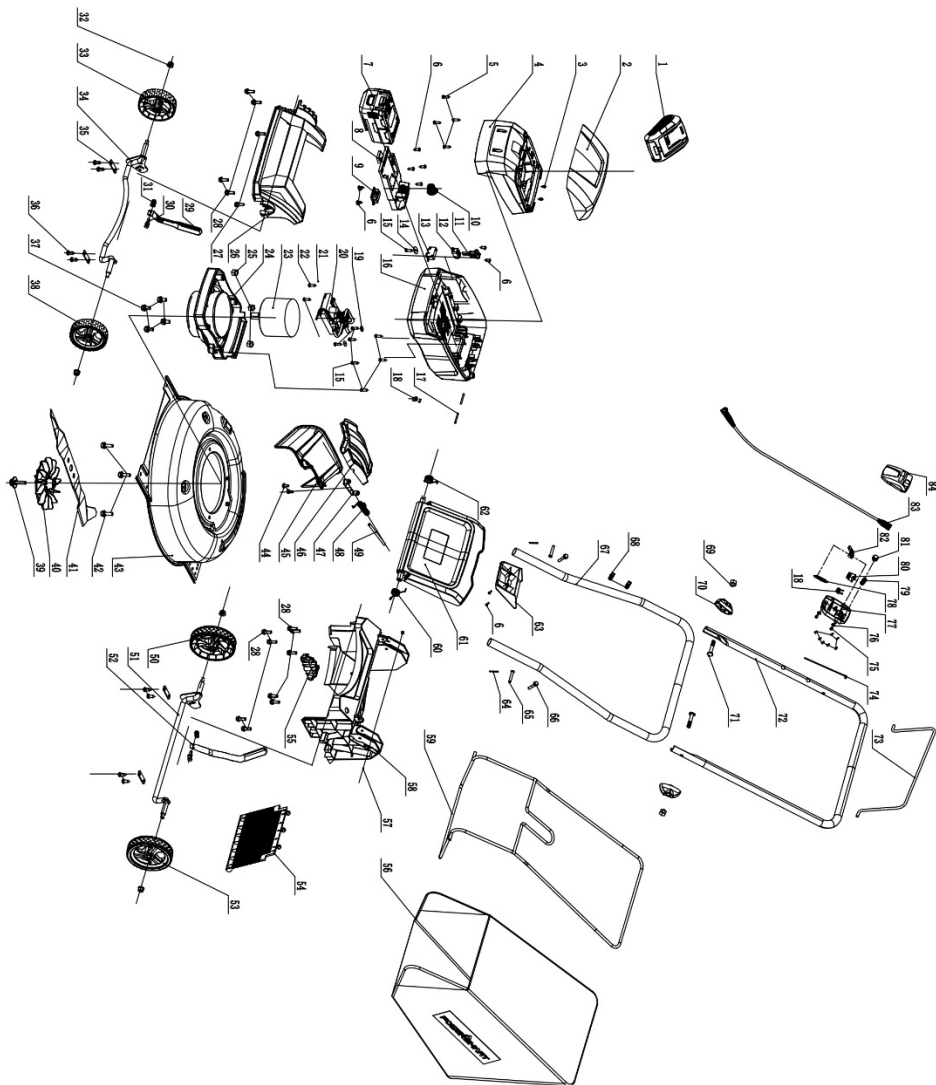
Veuillez respecter ces instructions afin d'éviter les blessures et les risques d'incendie, d'explosion ou de choc électrique et d'éviter les dommages à l'environnement:

- Couvrez les bornes de la batterie avec du ruban adhésif résistant.
- N'essayez pas de retirer ou de détruire n'importe quel composant de la batterie.
- N'essayez pas d'ouvrir le bloc-batterie.
- En cas de fuite, les électrolytes libérés sont corrosifs et toxiques. Ne pas laisser la solution entrer dans les yeux ou sur la peau et ne pas l'avaler.
- Ne pas placer les batteries dans les ordures ménagères ordinaires.
- NE PAS incinérer les batteries.
- NE placez PAS les batteries dans le flux des déchets solides des municipalités.
- Jetez les batteries dans un centre de recyclage ou d'élimination agréé.

DÉPANNAGE

PROBLÈME	CAUSE POSSIBLE	SOLUTION
La tondeuse ne démarre pas.	La batterie n'est pas chargée.	Chargez la batterie.
	L'interrupteur est en panne.	Remplacez l'interrupteur.
	L'herbe s'est coincée à la lame.	Retirez la batterie, vérifiez s'il y a des embarras sous le pont.
	La batterie n'est pas fixée au moteur.	Vérifiez la connexion entre le connecteur du moteur et la batterie.
	La batterie peut nécessiter une réparation ou un remplacement.	Appelez le service à la clientèle au 1-800-791-9458 ou remplacez la batterie.
La tondeuse coupe l'herbe de manière inégale.	La pelouse est rugueuse ou inégale.	Vérifiez la zone de tonte.
	La hauteur de coupe n'est pas réglée correctement.	Déplacez les roues à un réglage plus élevé.
La tondeuse ne paille pas correctement.	Les coupures de gazon humide collent au dessous du pont.	Attendez jusqu'à ce que le gazon soit sec avant la tonte
	La décharge latérale est manquante.	Installez la décharge latérale.
La tondeuse est difficile à pousser.	L'herbe est trop haute ou la hauteur de coupe est trop basse.	Augmentez la hauteur de coupe.
	L'arrière du carter de coupe et la lame traînent dans les herbes épaisses	Videz les débris d'herbe du sac à herbe.
La tondeuse est excessivement bruyante et vibre.	L'arbre du moteur est plié.	Arrêtez le moteur et vérifiez qu'il n'est pas endommagé.
	La lame est déséquilibrée.	Réparez avant le redémarrage. Si les vibrations persistent, veuillez appeler le service à la clientèle au 1-800-791-9458.

VUE EXPLOSÉE ET LISTE DES PIÈCES DE RECHANGE



Item	Stock#	Description	Qty
1	202470013	Chargeur	1
2	203010933	Couvercle supérieur du bloc-batterie	1
3	302060029	Fiche en plastique	2
4	203010880	Support de couvercle de bloc-batterie	1
5	303010237	Vis ST4.2X10	4
6	303010270	Vis ST4.2X14	17
7	202460007	Ensemble de bloc-batterie 40V 4.0Ah	1
8	202460009	Bloc-batterie 40V	1
9	203021266A	Support de cartouche de chargeur	1
10	303130355	Ressort de bloc-batterie	1
11	203021264A	Clé de sécurité	1
12	203010783	Couvercle supérieur de commutation	1
13	301100055	Interrupteur	1
14	303042019	Rondelle plate	1
15	303010281	Vis ST4.2X18	8
16	203021359A	Couvercle du bloc-batterie	1
17	303100086A	Axe du couvercle du bloc-batterie	2
18	203021461	Serre-câble	2
19	303042104	Rondelle plate	2
20	301011024	Ensemble Contrôleur 40V	1
21	303071474	Plaque de commande	1
22	303010377	Vis ST4.2X30	2
23	301030100	Moteur	1
24	203021343	Base de moteur	1
25	303030036	Écrou de blocage hexagonal M8	3

Item	Stock#	Description	Qty
26	203052972	Couvercle avant	1
27	303010353	Vis ST6.3X16	2
28	303010332	Vis ST6.3X20	13
29	303071058	Ensemble de ressort	1
30	303020276	Boulon hexadécimal	4
31	303030032	Écrou de verrouillage hexagonal M6	4
32	303030077	Écrou de blocage à bride M8	4
33	203050648 A	Roue droite 7 "	1
34	303181207	Soudure de l'axe de roue avant	1
35	303071420	Pince de roue	4
36	303010164	Vis ST6X20	8
37	303020444	Vis hexagonale à bride	4
38	203050649 A	Roue gauche 7 "	1
39	203021355	Couvercle en nylon du boulon de lame	1
40	203021337	Ventilateur de moteur	1
41	303240634 B	Lame 17 "	1
42	303020649	Boulon M8X20	3
43	303181422	Pont	1
44	303020468	Boulon M6X10mm	2
45	203050382 A	Cadre de décharge latérale	1
46	203050381 B	Plaque de décharge latérale	1
47	303160833	Support de décharge latérale	1
48	303130379	Ressort de torsion à décharge latérale	1
49	303090066 A	Axe de ressort de torsion	1
50	203050432 A	Roue droite 8 "	1

Item	Stock#	Description	Qty
51	303181203	Soudure de l'axe arrière	1
52	303071059	Ensemble de ressort	1
53	203050433A	Roue gauche 8 "	1
54	302080083	Barrière plastique	1
55	203050526A	Défecteur de vent	1
56	302120080	Sac de collecte	1
57	303030140A	Écrou de blocage	2
58	203050523A	Siège arrière	1
59	303081144A	Support de ramassage d'herbe	1
60	303130364	Ressort de torsion gauche du couvercle arrière	1
61	203050524A	Couvercle arrière	1
62	303130337	Ressort de torsion droit du couvercle arrière	1
63	203050525	Bouchon d'obturation arrière	1
64	303121005	Goupille	2
65	303160807	Axe de broche	2
66	303020558	Boulons à bride	2
67	303081315	Tube inférieur	1

Item	Stock#	Description	Qty
68	203050519	Clip	2
69	303030026	Écrou ordinaire épaissi	2
70	203020336 A	Bouton	2
71	303020057	Boulon en T M8X 45	2
72	303081421	Tube supérieur	1
73	303080502 A	Barre de contrôle de la conduite	1
74	303200154	Câble	1
75	303010353	Vis ST6.3X16	2
76	303043009	Rondelles concaves	2
77	203011000	Boîte d'interrupteur inférieure	1
78	303130397	Ressort de tension	1
79	303130396	Ressort de pression	1
80	301100046	Interrupteur	1
81	203021366	Bouton	1
82	203011002	Came	1
83	306040066	Câble de connexion	1
84	203011001	Boîte de commutation supérieure	1

GARANTIE LIMITÉE DE TROIS 3 ANS

PowerSmart® s'engage à offrir la garantie pour nos produits. Notre garantie est conforme à notre engagement et notre dévouement à la qualité.

GARANTIE LIMITÉE DE TROIS (3) ANS DES PRODUITS POWERSMART POUR USAGE DOMESTIQUE.

PowerSmart (le «vendeur») garantit uniquement à l'acheteur d'origine que tous les outils électriques PowerSmart seront exempts de tout défaut de matériau ou de fabrication pendant une période de trois (3) ans à compter de la date d'achat. Quatre-vingt-dix (90) jours pour tous les produits PowerSmart, si l'outil est utilisé pour usage professionnel ou commercial.

LA SEULE OBLIGATION DU VENDEUR ET VOTRE RECOURS EXCLUSIF en vertu de cette garantie limitée et, dans la mesure permise par la loi, de toute garantie ou condition prévue par la loi, sera la réparation ou le remplacement de pièces, sans frais, présentant des défauts de matériaux ou de fabrication et qui n'ont pas fait l'objet d'une mauvaise utilisation, de manipulation avec négligence ou de mauvaise réparation par des personnes autres que le Vendeur ou un centre de service agréé. Pour effectuer une réclamation en vertu de la présente garantie limitée, vous devez retourner le produit complet de l'outil électrique; transport prépayé, vers PowerSmart, y compris une copie lisible du reçu original sur lequel sont indiqués la date d'achat (mois et année) et le nom de l'entreprise achetée.

CETTE GARANTIE LIMITÉE NE S'APPLIQUE À AUCUN ACCESSOIRE INCLUS AVEC L'OUTIL TEL QUE LES LAMES DE SCIE CIRCULAIRE ET AUTRES ÉLÉMENTS CONNEXES OU À TOUTES LES PIÈCES DE REMPLACEMENT ÉNUMÉRÉES DANS LE CADRE DE LA MAINTENANCE.

TOUTE GARANTIE IMPLICITE SERA LIMITÉE À TROIS ANS À PARTIR DE LA DATE D'ACHAT. CERTAINS ÉTATS AUX ÉTATS-UNIS ET CERTAINES PROVINCES CANADIENNES NE PERMETTENT PAS DE LIMITER LA DURÉE D'UNE GARANTIE IMPLICITE, PAR CONSÉQUENT. LES RESTRICTIONS SUSMENTIONNÉES PEUVENT NE PAS S'APPLIQUER À VOUS.

LE VENDEUR N'EST EN AUCUN CAS TENU RESPONSABLE DE DOMMAGES DIRECTS OU INDIRECTS (Y COMPRIS, MAIS SANS S'Y LIMITER LA RESPONSABILITÉ RELATIVE À UNE PERTE DE PROFITS) DÉCOULANT DE LA VENTE OU DE L'UTILISATION DE CE PRODUIT. CERTAINS ÉTATS AUX ÉTATS-UNIS ET CERTAINES PROVINCES CANADIENNES NE PERMETTENT PAS L'EXCLUSION OU LA RESTRICTION DES DOMMAGES DIRECTS OU INDIRECTS, PAR CONSÉQUENT, LA RESTRICTION SUSMENTIONNÉE PEUT NE PAS S'APPLIQUER À VOUS.

CETTE GARANTIE LIMITÉE VOUS OCTROIE DES DROITS SPÉCIFIQUES ET VOUS POUVEZ ÉGALEMENT JOUIR D'AUTRES DROITS QUI PEUVENT VARIER D'UN ÉTAT À L'AUTRE AUX ÉTATS-UNIS OU D'UNE PROVINCE À L'AUTRE AU CANADA ET D'UN PAYS À L'AUTRE.

Pour toute question / commentaire, ou si vous avez besoin d'assistance technique ou de pièces de rechange, veuillez appeler le service à la clientèle au: 1-800-791-9458 (de 9 h à 17 h EST)
E-mail: support@amerisuninc.com

VEUILLEZ CONSERVER VOS REÇUS AVEC SOIN. CETTE GARANTIE EST INVALIDE SANS EUX.

CONTENIDO

ES

Contenido.....	58
Datos técnicos	58
Información de seguridad.....	59
Símbolos	65
Conocer su cortacésped	67
Montaje	68
Operación	72
Mantenimiento.....	77
Servicio.....	78
Desecho de batería ambientalmente seguro.....	79
Solución de problemas.....	80
Vista explotada	81
Lista de partes.....	82
Garantía	84

DATOS TÉCNICOS

17" 40V Cortacésped inalámbrico de	Modelo # DB2317
Tipo de batería:	40V de iones de litio
Tiempo del cargador:	150 minutos
Velocidad sin carga:	2900 RPM
Ancho de corte:	17 pulgadas
Ajustes de altura:	5 posiciones
Capacidad del recolector de hierba:	11.8 galón
Rueda:	delantera: 7 pulgadas / trasera: 8 pulgadas
Dimensiones del paquete (L x a x A):	29.5 x 20.1 x 16.5 pulgadas
Peso:	48.5 libras

INFORMACIÓN DE SEGURIDAD

REGLAS GENERALES DE SEGURIDAD

ADVERTENCIA: cuando use el cortacésped eléctrico, siempre se deben seguir las precauciones básicas de seguridad para reducir el riesgo de incendio, descarga eléctrica y lesiones personales, incluidas las siguientes:

LEA TODAS LAS INSTRUCCIONES CUIDADOSAMENTE

ADVERTENCIA: Este símbolo indica importantes instrucciones de seguridad. Si no se siguen estas instrucciones, podría poner en peligro la seguridad personal y / o la propiedad del operador y otros. Lea y comprenda todas las instrucciones de este manual antes de intentar operar el cortacésped. El incumplimiento de estas instrucciones puede provocar lesiones personales.



PELIGRO

Este cortacésped fue construido para funcionar de acuerdo con las reglas de operación segura contenidas en este manual. Al igual que con cualquier tipo de equipo motorizado, el descuido o error por parte del operador puede provocar lesiones graves. Este cortacésped puede amputar partes del cuerpo y arrojar objetos. El incumplimiento de las siguientes reglas de seguridad puede provocar lesiones graves o la muerte.

ADVERTENCIA: Siempre se deben seguir las precauciones de seguridad básicas cuando se usan el cortacésped eléctrico, para reducir el riesgo de incendio, descarga eléctrica y lesiones personales.

ADVERTENCIA: El uso de este cortacésped debe restringirse a las personas que han leído y entendido y seguirán las advertencias e instrucciones que se encuentran impresas en este manual y en el cortacésped.

- Lea cuidadosamente todas las instrucciones del cortacésped y del manual antes de intentar ensamblar y operar el cortacésped. Guarde este manual en un lugar seguro para futuras consultas y consúltelo periódicamente.
- Familiarícese con todos los controles y su correcto funcionamiento. Sepa cómo detener el cortacésped y cómo desconectar la energía en caso de emergencia.
- Para evitar el contacto con la cuchilla o lesiones causadas por un objeto arrojado, permanezca en la zona de operación detrás de las manijas y mantenga a los niños y transeúntes al menos a 100' de distancia del cortacésped mientras está en funcionamiento. Pare el motor de inmediato si alguien ingresa al área de corte.

- Inspeccione minuciosamente el área donde se utilizará el cortacésped. Retire todas las piedras, palos, alambres, huesos, juguetes y otros objetos que la cuchilla pueda tropezar o arrojar. Los objetos lanzados pueden causar lesiones personales graves.
- Planifique su patrón de corte de tal manera que evite descargar material hacia carreteras, aceras, transeúntes, etc. No descargue material contra una pared u obstrucción. Hacerlo puede hacer que el material descargado rebote hacia el operador.
- Use siempre protección ocular adecuada que cumpla con ANSI Z87.1 para proteger sus ojos mientras opera o realiza cualquier ajuste o reparación. Los objetos arrojados que rebotan pueden causar lesiones oculares graves.
- Siempre use una máscara facial o una máscara contra el polvo cuando opere el cortacésped en un ambiente polvoriento.
- Vístete apropiadamente. No use ropa suelta o joyas que puedan quedar atrapadas en las partes móviles. Se recomienda el uso de guantes protectores y calzado de seguridad.
- Muchas lesiones ocurren como resultado de que el cortacésped se tira sobre el pie del operador durante una caída causada por resbalones o tropiezos. No opere este cortacésped con los pies descalzos o con sandalias o zapatos livianos (por ejemplo, de lona). No se aferre al cortacésped si se cae. Suelte el mango de inmediato.
- Nunca jale el cortacésped hacia usted mientras camina. Si debe alejar el cortacésped de una pared o una obstrucción, primero mire hacia abajo y hacia atrás para evitar tropezar, y luego siga estos pasos:
 - Aléjese del cortacésped para extender completamente los brazos.
 - Asegúrese de estar bien equilibrado.
 - Jale el cortacésped hacia atrás lentamente.
- No utilice el cortacésped para ningún trabajo, excepto para el que está destinado. No fuerce el cortacésped.
- No opere el cortacésped bajo la influencia del alcohol o las drogas.
- Manténgase alerta: no opere el cortacésped cuando esté cansado. Presta atención a lo que estás haciendo. Usa el sentido común.
- No coloque las manos o los pies cerca de partes giratorias o debajo de la plataforma de corte. El contacto con la cuchilla puede amputar manos y pies.
- No intente ajustar las ruedas o la altura de corte mientras el motor está funcionando.
- Evitar ambientes peligrosos. No opere el cortacésped bajo la lluvia o en césped mojado o húmedo.
- Corte solo a la luz del día o con buena luz artificial. No apresure un trabajo de corte.
- Pare la cuchilla cuando cruce caminos de grava, pasarelas o caminos.
- Si el cortacésped comienza a vibrar excesivamente, pare el motor, retire la batería y verifique la causa de inmediato. La vibración es generalmente una señal de que el cortacésped no funciona correctamente o necesita reparación.

- Pare el motor y espere hasta que la cuchilla se detenga por completo antes de quitar el recogedor de hierba o desatascar el conducto. La cuchilla de corte continuará girando durante unos segundos después de que se apague el motor. No coloque ninguna parte de su cuerpo en el área de la cuchilla hasta que esté seguro de que la cuchilla ha dejado de girar.
- Nunca opere el cortacésped sin una protección adecuada para el camino, una cubierta de descarga, un recolector de césped, un interruptor de control u otro dispositivo de seguridad en su lugar y funcionando. No opere el cortacésped con dispositivos de seguridad dañados. Hacerlo puede provocar lesiones.
- No fuerce el cortacésped. Hará el trabajo mejor y más seguro a la velocidad para la que fue diseñado.
- Almacene el cortacésped inactivo en el interior. Cuando no esté en uso, el cortacésped debe almacenarse en un lugar seco, de búsqueda y fuera del alcance de los niños.
- Mantenga el cortacésped. Mantenga los bordes cortantes afilados y limpios para garantizar el mejor rendimiento y seguridad.
- Si el cortacésped golpea objetos extraños, siga estos pasos:
 - Pare el cortacésped, suelte el interruptor.
 - Retire la batería.
 - Inspeccione por daños.
- Repare cualquier daño antes de reiniciar y operar el cortacésped.
- No cargue el cortacésped bajo la lluvia o en un lugar húmedo.
- Retire o desconecte la batería antes de reparar, limpiar o retirar material del cortacésped.
- Inspeccione periódicamente el cable del cortacésped y, si está dañado, haga que lo reparen en un centro de servicio autorizado.
- Utilice únicamente cuchillas de repuesto idénticas.
- Almacene en el interior y no lo exponga a la lluvia o al agua, evite la luz solar directa.

SEGURIDAD INFANTIL

Pueden ocurrir accidentes trágicos si el operador no es consciente de la presencia de niños.

- Mantenga a los niños fuera del área de corte y bajo el cuidado vigilante de un adulto responsable.
- No permita que niños menores de 14 años operen este cortacésped. Los niños mayores de 14 años deben leer y comprender las instrucciones de funcionamiento y las reglas de seguridad de este manual, y deben ser entrenados y supervisados por sus padres.
- Manténgase alerta y apague el cortacésped si un niño o cualquier otra persona ingresa al área de corte.

- Mire hacia atrás y hacia abajo en busca de niños pequeños antes y mientras se mueve hacia atrás.
- Tenga mucho cuidado al acercarse a esquinas ciegas, puertas, arbustos, árboles u otros objetos que puedan oscurecer su visión de un niño que puede correr hacia el camino del cortacésped.

BATERÍA & CARGADOR

PRECAUCIÓN: USE SÓLO BATERÍAS DE REEMPLAZO APROBADAS POR POWERSMART, OTRAS BATERÍAS PUEDEN CAUSAR LESIONES O DAÑOS A LA SEGADORA. Usar con la batería POWERSMART 40V.

REGLAS DE SEGURIDAD DE LA BATERÍA

- No es necesario enchufar las herramientas de batería a una toma de corriente; por lo tanto, siempre están en condiciones de funcionamiento. Tenga en cuenta los posibles peligros cuando no use la herramienta de batería o cuando cambie los accesorios. Seguir esta regla reducirá el riesgo de descarga eléctrica, incendio o lesiones personales graves.
- No coloque herramientas de batería ni sus baterías cerca del fuego o del calor. Esto reducirá el riesgo de explosión y lesiones.
- No aplaste, deje caer ni dañe la batería. No utilice una batería o cargador que se haya caído o recibido un golpe fuerte. Una batería dañada está sujeta a explosión. Deseche de manera adecuada una batería caída o dañada inmediatamente.
- Las baterías pueden explotar en presencia de una fuente de ignición, como una luz piloto. Para reducir el riesgo de lesiones personales graves, nunca use ningún producto inalámbrico en presencia de llama abierta. Una batería explotada puede impulsar escombros y productos químicos. Si se expone, enjuague con agua inmediatamente. No cargue la herramienta de batería en un lugar húmedo o mojado. Seguir esta regla reducirá el riesgo de descarga eléctrica.
- Para obtener mejores resultados, la herramienta de la batería debe cargarse en un lugar donde la temperatura sea superior a 45 °F pero inferior a 104 °F. Para reducir el riesgo de lesiones personales graves, no almacene afuera o en vehículos.
- En condiciones extremas de uso o temperatura, pueden producirse fugas de la batería. Si el líquido entra en contacto con su piel, lávese inmediatamente con agua y jabón. Si le entra líquido en los ojos, lávelos con agua limpia durante al menos 10 minutos, luego busque atención médica inmediata. Seguir esta regla reducirá el riesgo de lesiones personales graves.
- Cuando la batería no esté en uso, manténgala alejada de otros objetos metálicos como: clips, monedas, llaves, clavos, tornillos u otros objetos metálicos pequeños que puedan conectarse de un terminal a otro. El cortocircuito de los terminales de la batería puede provocar chispas, quemaduras o incendios.
- Siempre retire la batería de su herramienta cuando esté ensamblando partes, haciendo ajustes, limpiando o cuando no esté en uso. Retirar la batería evitará un arranque accidental que podría causar lesiones personales graves.

- Retire siempre la batería antes de guardar el dispositivo. Cuando la batería esté completamente cargada, desconecte el cargador de la fuente de alimentación y retire la batería del cargador.
- Siempre use protección para los ojos con protectores laterales marcados para cumplir con ANSI Z87.1, junto con protección para los oídos. De lo contrario, podrían arrojarse objetos a los ojos y otras posibles lesiones graves.
- Mantenga la batería seca, limpia y libre de aceite y grasa. Siempre use un paño limpio cuando limpie. Nunca use líquidos de frenos, gasolina, productos a base de petróleo o solventes para limpiar la batería.
- No abra ni mutile la batería. El electrolito liberado es corrosivo y puede dañar los ojos o la piel. Puede ser tóxico si se ingiere.

CUIDADO APROPIADO PARA LA BATERÍA

Almacenamiento fuera de temporada

Para obtener la mayor duración posible de la batería, sugerimos lo siguiente:

- Retire la batería del cargador una vez que esté completamente cargada y lista para usar. Para el almacenamiento de la batería durante más de 30 días:
- Guarde la batería donde la temperatura sea inferior a 80 ° F y lejos de la humedad.
- Almacene las baterías en una condición de carga del 30% - 50%.
- Cada dos meses de almacenamiento, cargue el paquete normalmente.

REGLAS DE SEGURIDAD DEL CARGADOR

- Cargue la batería del cortacésped en un área seca protegida del clima. No exponga el cortacésped o el cargador a la lluvia. No cargue la batería en un lugar húmedo. Opere el cargador de batería a temperaturas entre 45 ° y 104 ° F. Para reducir el riesgo de descarga eléctrica, use solo el cargador proporcionado por el fabricante para cargar la batería.
- **NO ABUSE EL CABLE DE CARGA.** Nunca transporte el cargador por el cable. No desconecte el cargador del tomacorriente o del cortacésped tirando del cable del cargador.
- No use un cargador dañado. Reemplace los cables del cargador o el cargador de inmediato.
- Mantenga el cortacésped y el cargador lejos del agua, fuentes de calor (radiadores, calentadores, estufas, etc.), llamas y productos químicos.
- Asegúrese de que la batería esté asegurada en el cargador antes de comenzar la operación.
- La batería se calentará ligeramente al tacto mientras se carga. Esto es normal y no indica un problema.
- No coloque el cargador y la batería en un área de calor o frío extremo. Funcionarán mejor a temperatura ambiente normal.
- Cuando las baterías se carguen completamente, desconecte el cargador de la fuente de alimentación y retire la batería.

ADVERTENCIA: Cuando transporte o repare la unidad, retire siempre la batería.






ADVERTENCIA: Parte del polvo creado por el lijado eléctrico, el aserrado, el rectificado, la perforación y otras actividades de construcción contienen productos químicos que, según el estado de California, causan cáncer, defectos de nacimiento u otros daños reproductivos. Algunos ejemplos de estos químicos son:





- Plomo de pinturas a base de plomo,
- Sílice cristalina de ladrillos y cemento y otros productos de albañilería, y
- Arsénico y cromo de madera tratada químicamente.

El riesgo de estas exposiciones varía, según la frecuencia con la que realice este tipo de trabajo. Para reducir su exposición a estos químicos: trabaje en un área bien ventilada y trabaje con equipos de seguridad aprobados, como las máscaras contra el polvo que están especialmente diseñadas para filtrar partículas microscópicas.

SÍMBOLOS

Algunos de los siguientes símbolos pueden usarse en este producto. Por favor estudie y aprenda su significado. La interpretación adecuada de estos símbolos le permitirá operar el producto mejor y más seguro.

SÍMBOLO	NOMBRE	DESCRIPCIONES
V	Voltios	Voltaje
A	Amperios	Corriente
Hz	Hertz	Frecuencia (ciclos por segundo)
W	Vatios	Energía
min	Minutos	Tiempo
---	Corriente continua	Tipo o una característica de la corriente
n_0	Sin velocidad de carga	Velocidad racional, sin carga
/min	Por minuto	Revoluciones, golpes, velocidad superficial, órbitas, etc., por minuto
	Alerta de seguridad	Indica un peligro potencial de lesiones personales.
	Alerta de condiciones húmedas	Peligro de corte / desmembramiento de la mano. Mantenga las manos alejadas de la cuchilla giratoria.
	ADVERTENCIA	Para reducir el riesgo de lesiones, el usuario debe leer el manual de instrucciones.
	Protección para los ojos	Use protección para los ojos y los oídos. Para protección contra lesiones, use protectores auditivos y gafas de seguridad.
	Mantenga las manos y los pies alejados	Mantenga las manos y los pies alejados de la cuchilla y del área de corte.
	Sin alcance	Cortar los dedos de los pies o los dedos con una cuchilla giratoria.
	Resbalón en peligro de pendiente	Peligro de resbalones en pendientes: tenga especial cuidado al cortar en pendientes para evitar accidentes por resbalones y caídas.
	Mantenga a los espectadores alejados	Mantenga a todos los espectadores al menos a 100 pies de distancia.
	PRECAUCIÓN	Los objetos recogidos y arrojados por la cuchilla giratoria pueden causar lesiones graves.

SÍMBOLO	NOMBRE	DESCRIPCIONES
	PELIGRO	Indica una situación inminentemente peligrosa que, si no se evita, provocará la muerte o lesiones graves.
	Alerta de condiciones húmedas	No exponer a la lluvia ni utilizar en lugares húmedos.
	ADVERTENCIA	Indica una situación potencialmente peligrosa que, si no se evita, podría provocar la muerte o lesiones graves.
	PRECAUCIÓN	Indica una situación potencialmente peligrosa que, si no se evita, puede provocar lesiones leves o moderadas.

PROTECCIÓN DEL MEDIO AMBIENTE



Los productos eléctricos de desecho no deben desecharse con la basura doméstica. Por favor, recicle en las instalaciones correspondientes. Consulte con su autoridad local o minorista para obtener consejos de reciclaje.

La batería contiene material que es peligroso para usted y el medio ambiente. Debe retirarse y eliminarse por separado en una instalación que acepte baterías de iones de litio.

SERVICIO

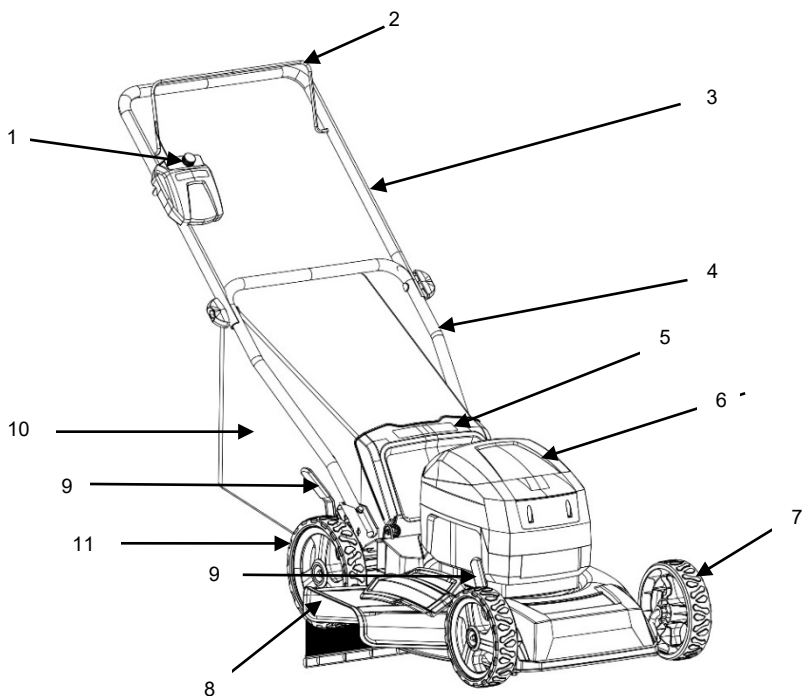
El mantenimiento requiere cuidado y conocimiento extremos y solo debe ser realizado por un técnico de servicio calificado. Para el servicio, le sugerimos que devuelva el producto al **CENTRO DE SERVICIO AUTORIZADO** más cercano para su reparación. Al realizar el mantenimiento, use solo partes de repuesto idénticas.

ADVERTENCIA: Para evitar lesiones personales graves, no intente usar este producto hasta que haya leído este Manual del uso a fondo y lo haya entendido completamente. Si no comprende las advertencias e instrucciones de este Manual del uso, no utilice este producto. Llame a la línea de ayuda gratuita (1- 800-791-9458) para obtener ayuda.

ADVERTENCIA: La operación de cualquier herramienta eléctrica puede provocar el lanzamiento de objetos extraños a los ojos, lo que puede provocar daños oculares graves. Antes de comenzar la operación de la herramienta eléctrica, use siempre gafas de seguridad o lentes de seguridad con protecciones laterales y, cuando sea necesario, una careta completa. Recomendamos la máscara de seguridad de visión amplia para usar sobre anteojos o lentes de seguridad estándar con protectores laterales. Siempre use protección para los ojos que esté marcada para cumplir con ANSI Z87.1.

CONOCER SU CORTACÉSPED

Lea este manual del operador y las reglas de seguridad antes de operar su cortacésped. Compare la ilustración de la Figura 1 con su cortacésped para familiarizarse con la ubicación de varios controles y ajustes. Guarde este manual para referencia futura.



- | | | | |
|---|------------------------------|----|--------------------------------------|
| 1 | Botón del interruptor | 6 | Caja de batería |
| 2 | Control de arranque/parada | 7 | Rueda delantera |
| 3 | Manija superior | 8 | Canal de descarga lateral |
| 4 | Manija inferior | 9 | Palanca de ajuste de altura de corte |
| 5 | Cubierta de descarga trasera | 10 | Bolsa de recogida de hierba |
| | | 11 | Rueda trasera |

INSTRUCCIONES DE MONTAJE

DESEMBALAJE

- Retire el producto y cualquier accesorio de la caja con cuidado. Asegúrese de que todos los artículos enumerados en la lista de embalaje estén incluidos.
- Inspeccione el producto cuidadosamente para asegurarse de que no se haya roto ni dañado durante el envío.
- No deseche el material de embalaje hasta que haya inspeccionado cuidadosamente y operado satisfactoriamente el producto.
- Si alguna parte está dañada o falta, llame al 1-800-791-9458 para obtener ayuda.

LISTA DE EMBALAJE

- Cortacésped
- Descarga lateral
- Bolsa colectora de hierba
- 2 tornillos
- Paquete de baterías
- Cargador
- Manual del uso
- 2 Clips de cable

ADVERTENCIA: Si alguna parte está dañada o falta, no opere este producto hasta que las partes sean reemplazadas. El uso de un producto con partes dañadas o faltantes podría provocar lesiones personales graves.

ADVERTENCIA: No intente modificar este producto o crear accesorios no recomendados para su uso con este producto. Cualquier alteración o modificación de este tipo es un uso indebido y podría dar lugar a una condición peligrosa que podría ocasionar lesiones personales graves.

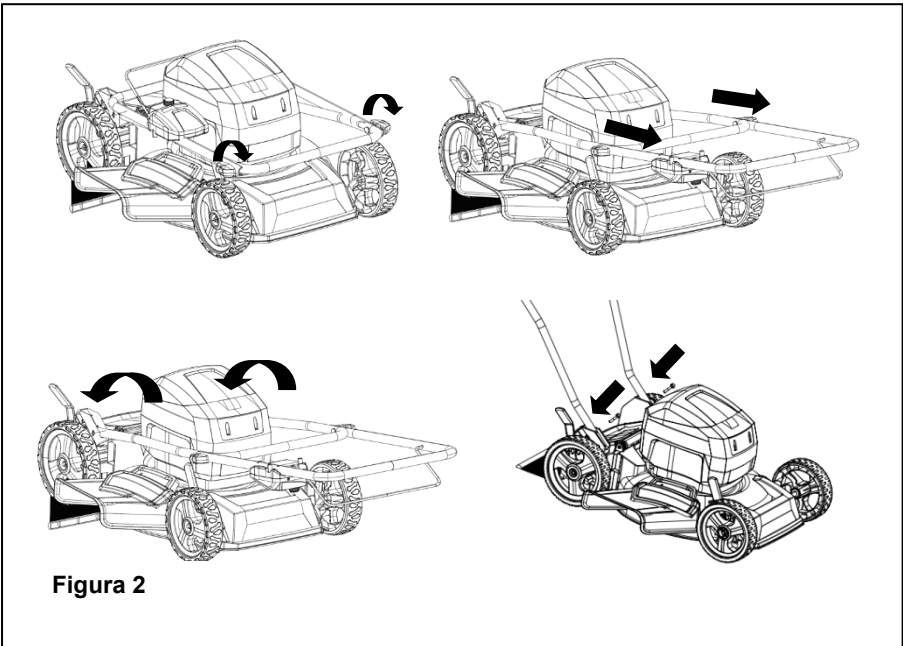
ADVERTENCIA: No inserte la batería hasta que el ensamblaje esté completo y esté listo para cortar. El incumplimiento puede resultar en un arranque accidental y posibles lesiones personales graves.

ADVERTENCIA: Para evitar arranques accidentales que puedan causar lesiones personales graves, siempre retire la batería del producto al ensamblar partes.

ADVERTENCIA: Nunca opere el cortacésped sin los dispositivos de seguridad adecuados en su lugar y funcionando. Nunca opere el cortacésped con dispositivos de seguridad dañados. El funcionamiento de este producto con partes dañadas o faltantes podría provocar lesiones personales graves.

FIJE LA MANIJA INFERIOR Y SUPERIOR (Ver Figura 2)

1. Afloje dos perillas y gire el tubo superior doblado para que coincida con el tubo inferior, y apriete la perilla.
2. Gire el tubo inferior a un ángulo que coincida con la base y apriete con dos tornillos. (Hay dos tornillos en la bolsa de accesorios.)



INSTALAR LA BOLSA DE RECOGIDA DE HIERBA (Ver Figura 3)

- Levante la cubierta del conducto (1).
- Levante el recogedor de hierba por su manija (2) y colóquelo debajo de la cubierta del canal para que los ganchos (3) del marco del recogedor de hierba se asienten en las ranuras del soporte del manija.
- Suelte la cubierta del conducto. Cuando se instala correctamente, los ganchos del recogedor de hierba descansarán de forma segura en las ranuras de los soportes de la manija.

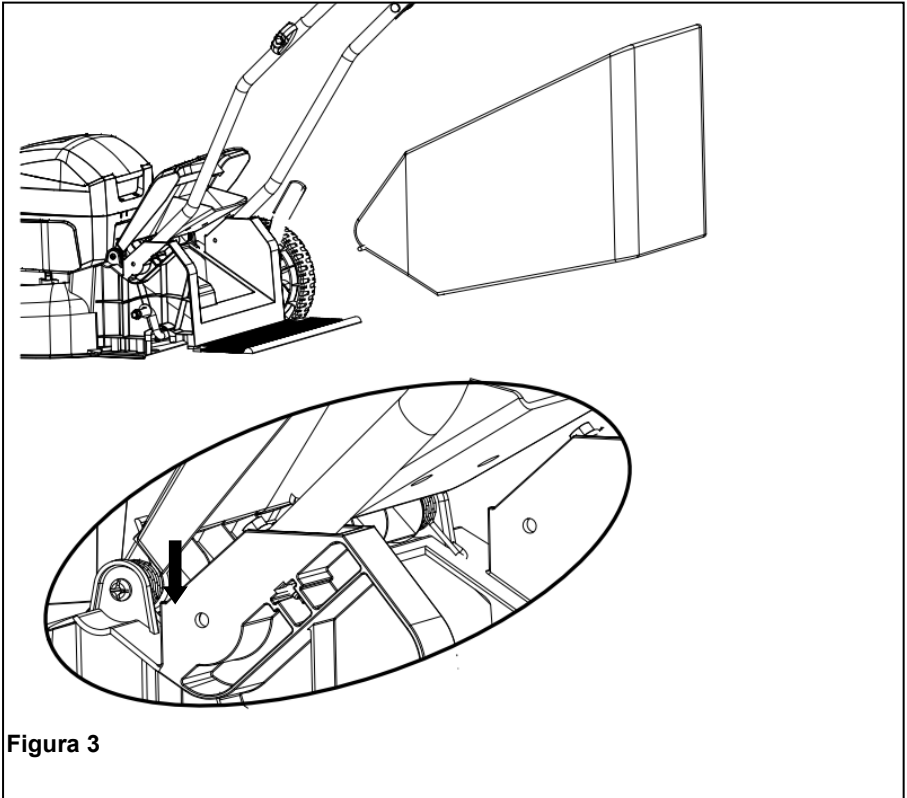


Figura 3

PARA INSTALAR EL PAQUETE DE BATERÍAS (Ver Figura 4)

- Levante y sostenga la puerta de la batería.
- Coloque la batería en el cortacésped. Alinee las costillas guiadas en la batería con las ranuras en el puerto de la batería del producto.
- Asegúrese de que el pestillo en la parte inferior de la batería encaje en su lugar y que la batería esté completamente asentada y segura en el producto antes de comenzar la operación.
- Inserte la llave de seguridad.
- Si la máquina no se va a utilizar de inmediato, no inserte la llave de seguridad.
- Cierre la puerta.

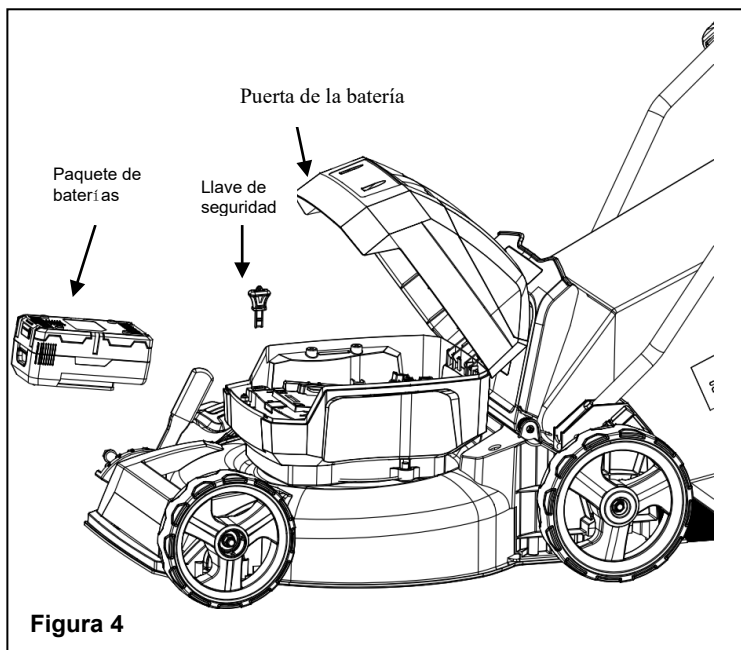


Figura 4

PARA RETIRAR EL PAQUETE DE BATERÍAS (Ver Figura 4)

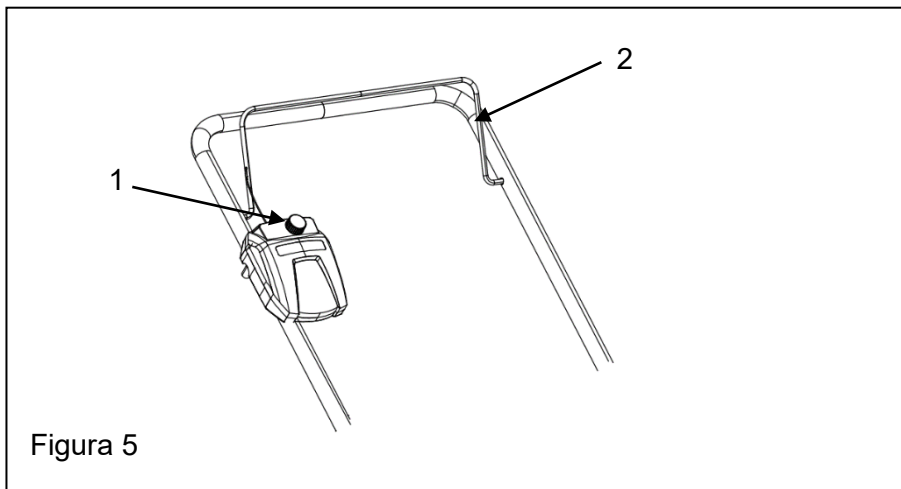
- Suelte la palanca de encendido para detener el producto.
- Retire la llave de seguridad.
- Mantenga presionado el botón de bloqueo de la batería en la parte inferior de la batería.
- Retire la batería del producto.

OPERAR SU CORTACÉSPED

ARRANCAR/PARAR EL CORTACÉSPED (Ver la Figura 5)

Para arrancar el motor:

- Mantenga presionado el botón de inicio (1).
- Mientras presiona el botón de arranque, tira de la palanca del interruptor (2) hacia ti hasta que entre en contacto con el mango. Se debe presionar y mantener presionado el botón de inicio antes de tirar de la manija. Una vez que se inicia el cortacésped, suelte el botón de inicio.



Para parar el motor:

- Suelte el botón de inicio.

ARRANQUE SUAVE

Este cortacésped LI-ION está equipado con una función de "arranque suave". Al arrancar inicialmente, el cortacésped tardará aprox. 3 segundos para alcanzar la velocidad máxima. Si el cortacésped no arranca inicialmente: retire la batería y verifique debajo de la plataforma del cortacésped para asegurarse de que nada obstruya la cuchilla y que la cuchilla pueda girar libremente a mano. Incluso una pequeña cantidad de hierba en el arranque evitará que el "arranque suave" encienda el cortacésped.

PRECAUCIÓN: No intente anular la operación del botón de inicio o la palanca de libertad bajo fianza.

ADVERTENCIA: La operación de cualquier cortacésped puede provocar el lanzamiento de objetos extraños a los ojos, lo que puede causar daños oculares graves. Siempre use gafas de seguridad mientras opera el cortacésped y mientras realiza ajustes o reparaciones.

ADVERTENCIA: Asegúrese de que otras personas y mascotas permanezcan al menos a 100 pies (30 m) de distancia cuando el cortacésped esté en uso.

INSPECCIONAR EL ÁREA DE CORTE. Retire todas las piedras, palos, alambres, huesos y otros desechos que puedan arrojar las cuchillas giratorias.

AJUSTE DE ALTURA DE CORTE (Ver Figura 6)

Cuando se envían, las ruedas del cortacésped se colocan en la posición de corte más baja. Antes de usar el cortacésped por primera vez, eleve la posición de corte a la altura más adecuada para su césped. El césped promedio debe estar entre 1.18 "a 2" durante los meses fríos y entre 2 "y 3" durante los meses cálidos.

Para ajustar la altura de la cuchilla:

- Para elevar la altura de la cuchilla, sujete la palanca de ajuste de altura delantera (1) y la palanca de ajuste de altura trasera (2), muévala hacia la parte delantera del cortacésped.
- Para bajar la altura de la cuchilla, tome la palanca de ajuste de altura (1) y la palanca de ajuste de altura trasera (2), muévala hacia la parte trasera del cortacésped.

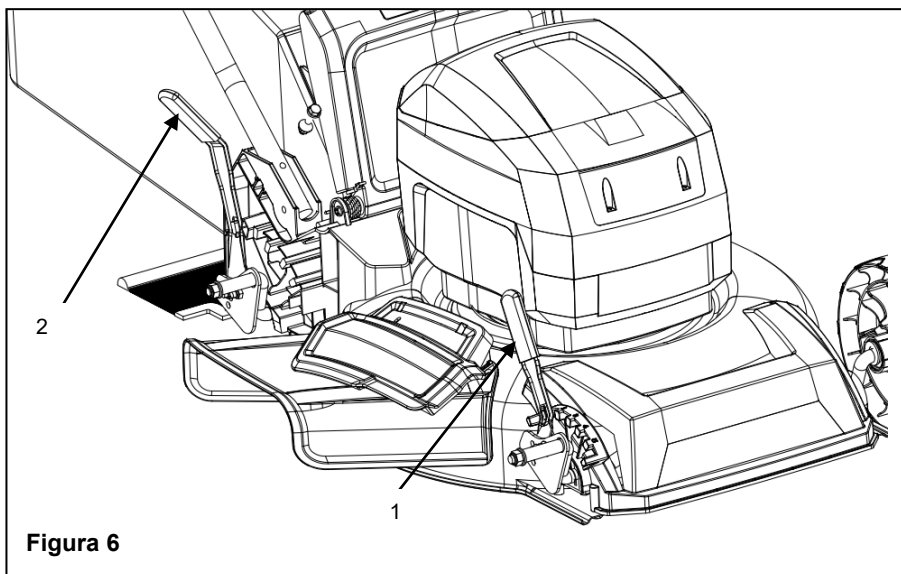
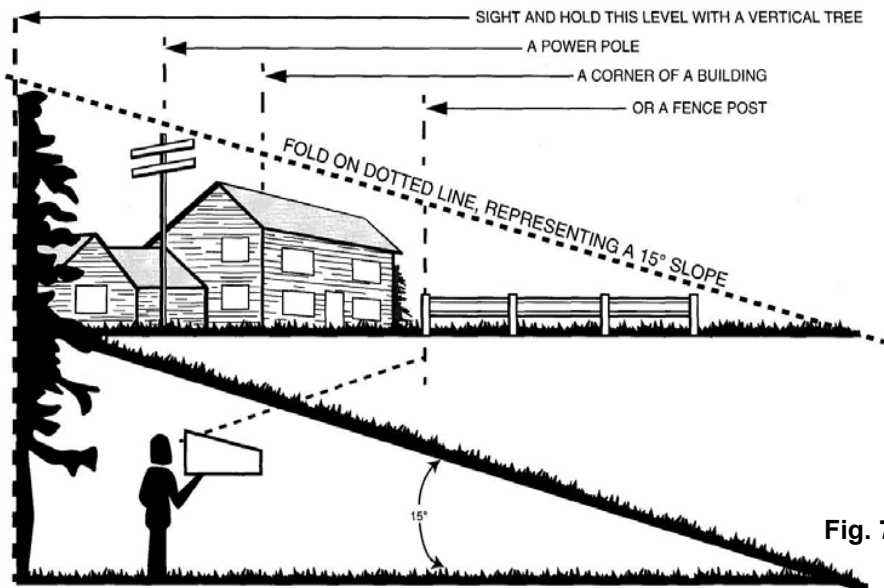


Figura 6

- Asegúrese de mantener la palanca delantera y trasera en la misma posición antes de usar.

ADVERTENCIA: las pendientes son un factor importante relacionado con los accidentes que involucran resbalones y caídas, que pueden provocar lesiones graves. Operar el cortacésped en una pendiente requiere precaución adicional. Si se siente incómodo en una pendiente, no lo corte. Para su seguridad, use el medidor de pendiente que se incluye como parte de este manual para medir las pendientes antes de operar esta unidad en un área inclinada o montañosa.

- Corte la superficie de una pendiente, y nunca hacia arriba y hacia abajo. Tenga mucho cuidado al cambiar de dirección en una pendiente.
- Esté atento a agujeros, surcos, rocas, objetos ocultos o golpes que puedan causar un resbalón o un tropiezo. El césped alto puede ocultar obstáculos.
- Asegúrese siempre de su equilibrio. Si siente que está perdiendo el equilibrio, suelte la palanca de control de la cuchilla / motor de inmediato. La cuchilla dejará de girar en 3 segundos.
- No corte el césped cerca de pendientes, zanjas o terraplenes, ya que podría perder el apoyo o el equilibrio.
- No corte una pendiente que tenga un ángulo mayor de 15 °, como se determina utilizando el medidor de pendiente.
- No corte el césped mojado o húmedo. Una base inestable puede causar resbalones.



ADVERTENCIA: No corte una pendiente que tenga un ángulo superior a 15 ° (una elevación de aproximadamente 2 1/2 " [75 m] cada 10 "[3 m]). Corta la cara de una pendiente, y nunca de arriba abajo.

CONSEJOS DE CORTE

NOTA: Una cuchilla afilada mejorará en gran medida el rendimiento del cortacésped, especialmente al cortar hierba alta. Asegúrese de revisar la cuchilla y afilarla al menos una vez al año, como se describe en la sección Mantenimiento.

- Verifique que el césped esté libre de piedras, palos, alambres y otros objetos que puedan dañar las cuchillas o el motor. El cortacésped podría arrojar accidentalmente estos objetos en cualquier dirección, y podría causar lesiones personales graves al operador y a otras personas. Para evitar descargas eléctricas, no opere el cortacésped en condiciones húmedas o mojadas.
- No corte en círculos. Viaje de ida y vuelta por el césped.
- Cuando corte hierba gruesa, reduzca la velocidad de marcha para permitir un corte más efectivo y una descarga adecuada de los recortes.
- Para un césped saludable, corte siempre un tercio o menos de la longitud total del césped. El césped promedio debe tener aproximadamente 1.18" a 2" de largo durante los meses fríos, y entre 2" a 3 de largo durante los meses cálidos.

• CONSEJOS PARA APROVECHAR

NOTA: INSPECCIONE EL ÁREA DONDE SE DEBE UTILIZAR EL CORTACÉSPED Y RETIRE TODAS LAS PIEDRAS, PALILLOS, ALAMBRES, HUESOS Y OTROS DESECHOS QUE LA CUCHILLA GIRATORIA PUEDA PRODUCIR.

- Suelte el interruptor para apagar el cortacésped cuando cruce cualquier área con grava (la cuchilla puede arrojar piedras).
- Coloque el cortacésped a la altura de corte más alta cuando corte en un terreno irregular o en malezas altas.
- Para lograr un acolchado efectivo, no corte el césped mojado, ya que tiende a adherirse a la parte inferior de la plataforma, evitando el acolchado adecuado de los recortes de césped. El césped nuevo o grueso puede requerir un corte más estrecho. La velocidad de avance debe ajustarse a la condición del césped. Si se ha retrasado el corte y se ha permitido que el césped crezca más de 4", corte el césped dos veces para reducir la altura del césped a un máximo de 3 1/4" .
- Camine a un ritmo constante. Superponga las filas de corte. No deje que la hierba crezca demasiado. Si el césped se alarga demasiado, comience en la posición de corte más alta y trabaje hasta la altura de corte deseada.

ADVERTENCIA: Si golpea un objeto extraño, pare el motor y retire la batería. Inspeccione minuciosamente el cortacésped en busca de daños. Repare cualquier daño antes de operar el cortacésped. La vibración excesiva del cortacésped durante el funcionamiento es una indicación de daño. Inspeccione minuciosamente el cortacésped y repare cualquier daño antes de operarla.

EMPTYING THE GRASS CATCHER BAG (See Figure 8)

VACIAR LA BOLSA DE RECOGIDA DE HIERBA (Ver Figura 8)

- Detenga el cortacésped, permita que las cuchillas se detengan por completo y retire la batería.
- Levante la cubierta del conducto trasero.
- Levante la bolsa de recogida de césped por su manija para retirarla del cortacésped.
- Recorte de hierba vacíos.
- Levante la cubierta del conducto trasero y vuelva a instalar la bolsa de recogida de césped como se describe anteriormente en este manual.

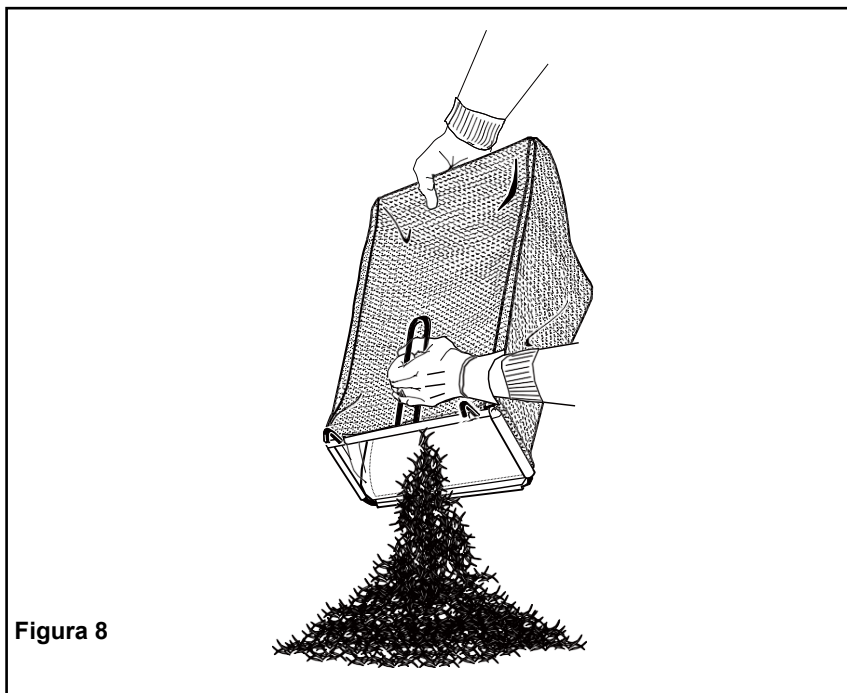


Figura 8

MANTENIMIENTO

LIMPIAR EL CORTACÉSPED

ADVERTENCIA: para reducir el riesgo de descarga eléctrica, no exponga el cortacésped al agua. La parte inferior de la plataforma del cortacésped debe limpiarse después de cada uso, ya que se acumularán recortes de césped, hojas, suciedad y otros desechos, lo que causará óxido y corrosión.

Elimine cualquier acumulación de hierba y hojas en o alrededor de la cubierta del motor (no use agua). Ocasionalmente, limpie el cortacésped con un paño seco. Si se acumulan residuos en la parte inferior del cortacésped durante el uso, pare el motor, desconéctelo de la batería y luego incline el cortacésped hacia adelante o hacia un lado, y límpielo con una herramienta adecuada.

ALMACENAR EL CORTACÉSPED

Se deben seguir los siguientes pasos para preparar el cortacésped para su almacenamiento.

- Limpie el cortacésped como se describe en la sección anterior.
- Inspeccione la cuchilla y reemplácela o afílela, si es necesario (consulte la sección Mantenimiento).
- Lubrique el cortacésped.
- Almacene el cortacésped en un lugar seco y limpio. No lo guarde junto a materiales corrosivos, como fertilizantes o sal de roca.
- Guarde el cortacésped en interiores, en un lugar fresco y seco, fuera del alcance de los niños. No cubra el cortacésped con una lámina plástica sólida. Los revestimientos de plástico atrapan la humedad alrededor del cortacésped, lo que provoca óxido y corrosión.

La manija puede plegarse completamente para guardarla. (Ver Figura 2)

- Levante las tuercas a los lados de la manija superior para desbloquear, y doble la manija superior hacia abajo.
- Levante los sujetadores de liberación rápida en el lado de la manija inferior para desbloquear, tire hacia afuera a cada lado de la manija inferior y levante los lados de la manija inferior más allá de los bordes de los soportes de montaje de la manija. Doble la manija inferior hacia adelante. Asegúrese de no doblar ni torcer el cable de alimentación.
- Retire la batería y guárdela en un lugar fresco y seco, si es posible. Cargue la batería cada dos semanas cuando no esté en uso para aumentar su vida útil.
- Retire la batería y guárdela en un lugar seguro fuera del alcance de los niños. La extracción de la batería no es necesaria para el almacenamiento.

ADVERTENCIA: Esta batería debe cargarse cuando se almacena para mantener la vida útil.

SERVICIO

- Al dar servicio al cortacésped, use solo partes de repuesto disponibles del fabricante. Para obtener partes de repuesto, llame a la línea de ayuda gratuita, al 1-800-791-9458. El uso de partes que no cumplan con las especificaciones del equipo original puede conducir a un rendimiento incorrecto y comprometer la seguridad.
- Antes de limpiar, reparar o inspeccionar, verifique que la cuchilla y todas las partes móviles se hayan detenido por completo, y retire la batería. Retire la batería cuando realice ajustes o cuando cualquiera de las cuatro ruedas deba levantarse del suelo.
- Mantenga las manijas secas, limpias y libres de aceite y grasa.
- Para reducir el riesgo de incendio, mantenga el motor libre de hierba, hojas y acumulación de escombros.
- Verifique con frecuencia que los tornillos de montaje de la cuchilla y el motor estén bien apretados. Inspeccione visualmente la cuchilla en busca de daños (p. Ej., Doblada, agrietada o desgastada).
- Para un rendimiento mejor y más seguro, mantenga el cortacésped con cuidado. Mantenga la cuchilla del cortacésped afilada y limpia. Las cuchillas del cortacésped son afiladas y pueden cortar. Envuelva las cuchillas o use guantes, y tenga precaución cuando realice el servicio.
- Mantenga todas las tuercas, pernos y tornillos apretados para asegurarse de que el equipo esté en condiciones de trabajo seguras.
- Nunca manipule los dispositivos de seguridad. Verifíquelos regularmente para su correcto funcionamiento.
- Después de golpear un objeto extraño, pare el motor. Inspeccione minuciosamente el cortacésped para detectar daños. Repare cualquier daño antes de operar el cortacésped.
- Los componentes del recogida de césped y el escudo del sendero están sujetos a desgaste y daños, lo que podría exponer partes móviles o permitir que se arrojen objetos. Como precaución de seguridad, revise estos componentes con frecuencia y reemplace de inmediato cualquier parte que muestre signos de desgaste, o que esté rajada o rota. Utilice únicamente partes del fabricante del equipo original (OEM), como se detalla en este manual.
- Cuando no esté en uso, guarde el cortacésped en un lugar seco y fuera del alcance de los niños.

ADVERTENCIA: SIEMPRE RETIRE LA BATERÍA AL MANTENER O TRANSPORTAR EL CORTACÉSPED.

DESECHO DE BATERÍA AMBIENTALMENTE SEGURO

Las baterías utilizadas en este paquete de baterías del cortacésped contienen el siguiente material tóxico y corrosivo: ION DE LITIO.

ADVERTENCIA: Los materiales tóxicos deben eliminarse de una manera específica para evitar la contaminación del medio ambiente. Antes de deshacerse de los paquetes de baterías de iones de litio dañados o desgastados, comuníquese con su agencia local de eliminación de desechos para obtener información e instrucciones específicas. Lleve las baterías a un centro local de reciclaje y / o eliminación que esté certificado para su eliminación. Si la batería se agrieta o se rompe, no importa tenga fugas o no, no la recargue ni la use. Deséchelo y reemplácelo con una batería nueva. ¡NO INTENTE REPARARLO!

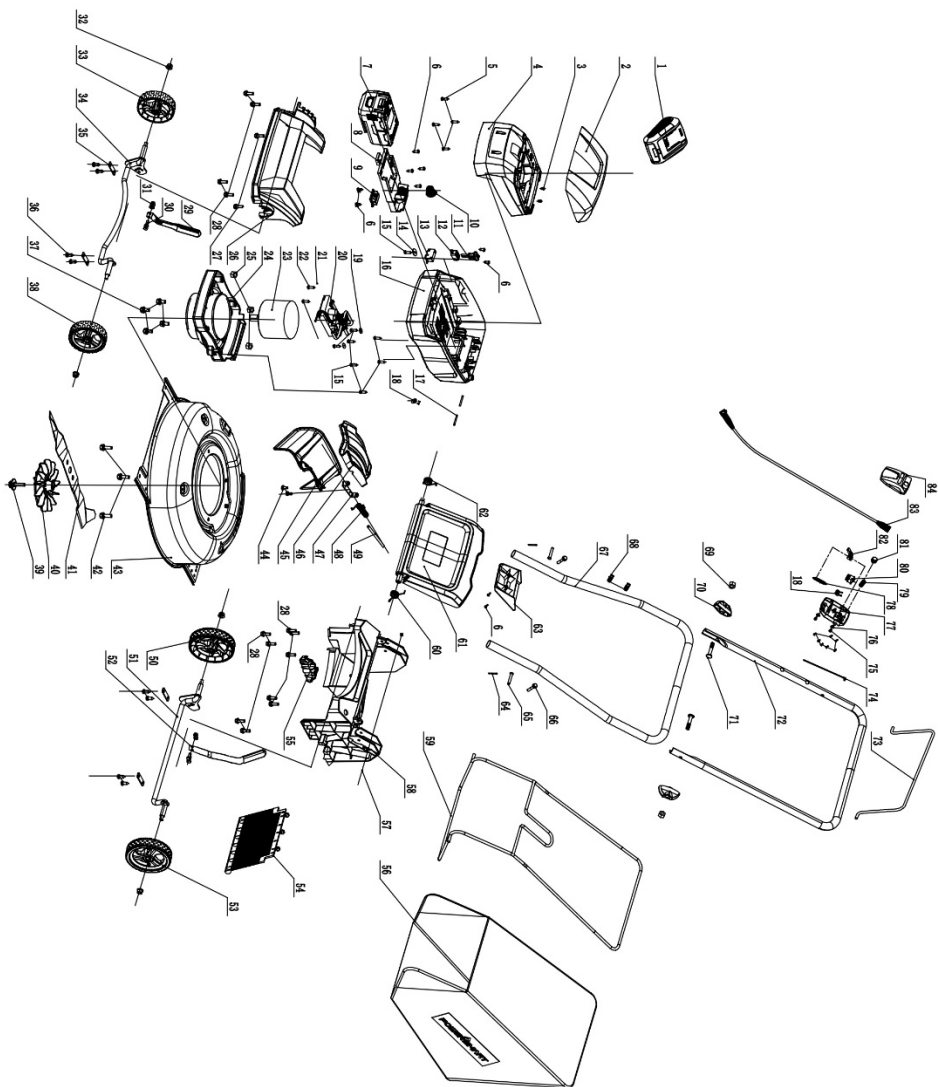
Siga estas instrucciones para evitar lesiones y el riesgo de incendio, explosión o descarga eléctrica, y para evitar daños al medio ambiente:

- Cubra los terminales de la batería con cinta adhesiva de alta resistencia.
- No intente quitar ni destruir ninguno de los componentes de la batería.
- No intente abrir la batería.
- Si se produce una fuga, los electrolitos que se liberan son corrosivos y tóxicos. No ponga la solución en los ojos ni en la piel, y no la trague.
- No coloque las baterías en la basura doméstica normal.
- NO incinere las baterías.
- NO coloque las baterías donde se convertirán en parte de un vertedero de basura o flujo de residuos sólidos municipales.
- Deseche las baterías en un centro certificado de reciclaje o eliminación.

SOLUCIÓN DE PROBLEMAS

PROBLEMA	CAUSA POSIBLE	SOLUCIÓN
El cortacésped no arranca.	La batería no está cargada.	Cargue la batería.
	El interruptor está defectuoso.	Reemplace el interruptor
	Hierba atascada en la cuchilla.	Quitar la batería; revise debajo de la cubierta para ver si hay atascos.
	La batería no está conectada al motor.	Compruebe la conexión entre el conector del motor y la batería.
	La batería puede requerir servicio o reemplazo.	Llame al servicio al cliente al 1-800-791-9458 o reemplace la batería.
El cortacésped corta el césped de manera desigual.	El césped es áspero o desigual.	Verifique el área de corte.
	La altura de corte no está configurada correctamente.	Mueva las ruedas a una configuración más alta.
El cortacésped no funciona correctamente.	Los recortes de hierba húmeda se adhieren a la parte inferior de la cubierta.	Espere hasta que la hierba se seque antes de cortar.
	Falta la descarga lateral.	Instale la descarga lateral.
El cortacésped es difícil de empujar.	El césped es demasiado alto o la altura de corte es demasiado baja.	Eleve la altura de corte.
	La parte trasera de la carcasa del cortacésped y la cuchilla se arrastran sobre hierba espesa.	Vacíe los recortes de hierba de la bolsa de recogida de hierba.
El cortacésped es excesivamente ruidoso y vibra.	El eje del motor está doblado.	Pare el motor e inspeccione en busca de daños.
	La cuchilla está desequilibrada.	Repáre antes de reiniciar. Si la vibración persiste, llame al servicio al cliente al 1-800-791-9458

VISTA EXPLOTADA Y LISTA DE REPUESTOS



Item	Stock#	Descripción	Qty
1	202470013	Montaje del cargador	1
2	203010933	Cubierta superior externa de la batería	1
3	302060029	Tapón de plástico	2
4	203010880	Soporte de tapa de batería	1
5	303010237	Tornillo ST4.2X10	4
6	303010270	Tornillo ST4.2X14	17
7	202460007	Conjunto de batería de 40V 4.0Ah	1
8	202460009	Batería de 40V	1
9	203021266A	Soporte del cartucho del cargador	1
10	303130355	El muelle de la batería	1
11	203021264A	Clave segura	1
12	203010783	Cubierta superior de interruptor	1
13	301100055	Interruptor	1
14	303042019	Arandela plana	1
15	303010281	Tornillo ST4.2X18	8
16	203021359A	Cubierta de la batería	1
17	303100086A	Eje de la cubierta de la batería	2
18	203021461	La abrazadera de cable	2
19	303042104	Arandela plana	2
20	301011024	Componentes del controlador 40V	1
21	303071474	Panel de control	1
22	303010377	Tornillo ST4.2X30	2
23	301030100	Motor de	1
24	203021343	Base del motor	1

Item	Stock#	Descripción	Qty
25	303030036	Tuerca hexagonal M8	3
26	203052972	Cubierta frontal	1
27	303010353	Tornillo ST6.3X16	2
28	303010332	Tornillo ST6.3X20	13
29	303071058	Asamblea de primavera	1
30	303020276	Cerrojo	4
31	303030032	Tuerca de seguridad hexagonal M6	4
32	303030077	Tuerca de bloqueo de brida M8	4
33	203050648A	Rueda derecha de 7	1
34	303181207	Soldadura del eje de la rueda delantera	1
35	303071420	Abrazadera de rueda	4
36	303010164	Tornillo T6X20	8
37	303020444	Perno de brida hexagonal	4
38	203050649A	Rueda izquierda de 7 "	1
39	203021355	Perno de cuchilla Cubierta de nylon	1
40	203021337	Ventilador de motor	1
41	303240634B	Hoja de 17 "	1
42	303020649	Perno M8X20	3
43	303181422	Cubierta	1
44	303020468	Perno M6×10mm	2
45	203050382A	Marco de descarga lateral	1
46	203050381B	Placa de cubierta de descarga lateral	1
47	303160833	Soporte de descarga lateral	1
48	303130379	Muelle torsional de descarga lateral	1

Item	Stock#	Descripción	Qty
49	303090066A	Pasador de resorte torsional	1
50	203050432A	Rueda derecha de 8 "	1
51	303181203	Soldadura del eje trasero	1
52	303071059	Asamblea de primavera	1
53	203050433A	Rueda izquierda de 8 "	1
54	302080083	Barrera de plástico	1
55	203050526A	Deflector de viento	1
56	302120080	Bolsa de recogida	1
57	303030140A	Contratuercas	2
58	203050523A	Asiento trasero	1
59	303081144A	Soporte recolector de hierba	1
60	303130364	Contraportada izquierda muelle de torsión	1
61	203050524A	Cubierta trasera	1
62	303130337	Contraportada derecha muelle de torsión	1
63	203050525	Tapa ciega trasera	1
64	303121005	Chaveta	2
65	303160807	Pasador de eje	2
66	303020558	Pernos de brida	2

Item	Stock#	Descripción	Qty
67	303081315	Tubo inferior	1
68	203050519	Clip	2
69	303030026	Tuerca normal engrosada	2
70	203020336A	Perilla	2
71	303020057	Perno en T M8X45	2
72	303081421	Tubo superior	1
73	303080502A	Barra de control de mando	1
74	303200154	Cable	1
75	303010353	Tornillo ST6.3X16	2
76	303043009	Arandelas cóncavas	2
77	203011000	Caja de interruptores inferior	1
78	303130397	Resorte de tensión	1
79	303130396	Resorte de presión	1
80	301100046	Interruptor	1
81	203021366	Perilla	1
82	203011002	Leva	1
83	306040066	Cable de conexión	1
84	203011001	Caja de interruptores superior	1

TRES (3) AÑOS DE GARANTÍA LIMITADA

PowerSmart® se compromete a crear herramientas confiables durante años. Nuestras garantías son consistentes con nuestro compromiso y dedicación a la calidad. GARANTÍA LIMITADA DE TRES (3) AÑOS DE PRODUCTOS POWERSMART PARA USO DOMÉSTICO.

PowerSmart ("Vendedor") garantiza únicamente al comprador original que todas las herramientas eléctricas de consumo PowerSmart estarán libres de defectos en materiales o mano de obra por un período de tres (3) años a partir de la fecha de compra. Noventa (90) días para todos los PowerSmart Productos, si la herramienta se utiliza para uso profesional o comercial.

La OBLIGACIÓN ÚNICA DEL VENDEDOR Y SU RECURSO EXCLUSIVO bajo esta Garantía limitada de tres (3) años y, en la medida permitida por la ley, cualquier garantía o condición implícita por la ley, será la reparación o el reemplazo de partes, sin cargo, que sean defectuosas en material o mano de obra y que no hayan sido mal utilizados, manejados descuidadamente o reparados incorrectamente por personas que no sean Vendedor o Centro de servicio autorizado. Para realizar un reclamo bajo esta Garantía limitada, debe devolver el producto completo de la herramienta eléctrica; transporte prepago, a PowerSmart Incluya una copia legible del recibo original, que enumera la fecha de compra (mes y año) y el nombre de la empresa comprada.

ESTA GARANTÍA LIMITADA NO SE APLICA A NINGÚN ARTÍCULO ACCESORIO INCLUIDO CON LA HERRAMIENTA, COMO LAS HOJAS DE SIERRA CIRCULAR, OTROS ARTÍCULOS RELACIONADOS O A CUALQUIER PARTE DE REPUESTO LISTA BAJO MANTENIMIENTO.

CUALQUIER GARANTÍA IMPLÍCITA SERÁ LIMITADA EN DURACIÓN A TRES (3) AÑOS DESDE LA FECHA DE COMPRA. ALGUNOS ESTADOS EN LOS ESTADOS UNIDOS Y ALGUNAS PROVINCIAS CANADIENSES NO PERMITEN LIMITACIONES DE LA DURACIÓN DE UNA GARANTÍA IMPLÍCITA, POR LO QUE LA LIMITACIÓN ANTERIOR PUEDE NO APLICARSE EN SU CASO.

EN NINGÚN CASO EL VENDEDOR SERÁ RESPONSABLE POR DAÑOS INCIDENTALES O CONSECUENTES (INCLUIDOS, PERO SIN LIMITARSE A LA RESPONSABILIDAD POR LA PÉRDIDA DE BENEFICIOS) DERIVADOS DE LA VENTA O USO DE ESTE PRODUCTO. ALGUNOS ESTADOS EN LOS ESTADOS UNIDOS Y ALGUNAS PROVINCIAS CANADIENSES NO PERMITEN LA EXCLUSIÓN O LIMITACIÓN DE DAÑOS INCIDENTALES O CONSECUENTES, POR LO QUE LA LIMITACIÓN O EXCLUSIÓN ANTERIOR PUEDE NO APLICARSE EN SU CASO.

ESTA GARANTÍA LIMITADA LE OTORGA DERECHOS LEGALES ESPECÍFICOS, Y TAMBIÉN PUEDE TENER OTROS DERECHOS QUE VARÍAN DE ESTADO A ESTADO EN LOS ESTADOS UNIDOS, DE LA PROVINCIA A LA PROVINCIA DE CANADÁ Y DEL PAÍS AL PAÍS.

Para preguntas / comentarios, asistencia técnica o partes de reparación - Llame al servicio al cliente al: 1-800-791-9458 (lunes a viernes de 9 a.m. a 5 p.m. EST) E-mail: support@amerisuninc.com

GUARDE SUS RECIBOS. ESTA GARANTÍA SE ANULA SIN ELLOS.

POWER SMART[®]

INSTRUCTION MANUAL

40V Cordless String Trimmer

40V Débroussailleuse Sans Fil

40V Cortadora de hilo sin cable

Model # DB2603



Have product questions or need technical support? Please feel free to contact us!

Website: www.PowerSmartUSA.com

Tollfree: 1-800-791-9458 Mon-Fri 9-5 EST

Email: support@amerisuninc.com



Website

CONTENTS

Technical data..... 3
Introduction..... 4
Safety information..... 4
General safety rules..... 5
Specific safety rules for string trimmer..... 9
Symbols..... 10
Knowing your string trimmer..... 11
Assembly instruction..... 12
Operating instruction..... 15
Maintenance..... 17
Environmentally safe battery disposal..... 18
Troubleshooting..... 19
Exploded view & parts list..... 20
Warranty statement..... 22

TECHNICAL DATA

40V Cordless String Trimmer	Model # DB2603
Cutting diameter:	13"
Trimmer line diameter:	0.065"
Battery type:	40V Lithium-ion, 4.0Ah
No-load speed:	speed 1: 6600RPM speed 2: 8500RPM
Battery model:	DB2102
Charging time:	2.5 hours
Charger model:	DB2202A
Package dimensions (L x W x H):	33.07 x 7.30 x 7.90 inches
Weight:	13.1 lb.

INTRODUCTION

Thank You for Purchasing a PowerSmart® Product. This manual provides information regarding the safe operation and maintenance of this product. Every effort has been made to ensure the accuracy of the information in this manual. PowerSmart® reserves the right to change this product and specifications at any time without prior notice.

Please keep this manual available to all users during the entire life of the string trimmer.



This manual contains special messages to bring attention to potential safety concerns, string trimmer damage as well as helpful operating and servicing information. Please read all the information carefully to avoid injury and machine damage.

QUESTIONS? PROBLEMS?

Please contact our Customer Service Dept. with any questions and/or comments, either by Email: support@amerisuninc.com, or Toll Free at (800)791-9458. We are available Mon-Fri 9am-5pm EST to help solve any issues that you might encounter.

SAFETY INFORMATION

Before operating this string trimmer, read and observe all warnings, cautions, and instructions in this Owner's Manual.

NOTE: The following safety information is not meant to cover all possible conditions and situations that may occur. Read the entire Owner's Manual for safety and operating instructions. Failure to follow instructions and safety information could result in serious injury or death.

This safety alert symbol is used to identify safety information about hazards that can result in personal injury.



A signal word (DANGER, WARNING, or CAUTION) is used with the alert symbol to indicate the likelihood and the potential severity of injury. In addition, a hazard symbol may be used to represent the type of hazard.

DANGER Indicates a hazard, which, if not avoided, will result in death or serious injury.

WARNING Indicates a hazard, which, if not avoided, could result in death or serious injury.

CAUTION Indicates a hazard, which, if not avoided, might result in minor or moderate injury.

CAUTION Without the alert symbol, indicates a situation that could result in damage.

GENERAL SAFETY RULES

Safety is a combination of common sense, staying alert, and knowing how your string trimmer works.

SAVE THESE SAFETY INSTRUCTIONS.



WARNING: Do not operate this unit until you read this instruction manual for safety, operation and maintenance instructions. Failure to follow all instructions listed below may result in electric shock, fire, and/or serious personal injury.

WORK AREA SAFETY

- Don't use trimmer in rain, damp or wet locations. Do not operate trimmer in gaseous or explosive atmospheres. Motors in these tools normally spark, and the sparks might ignite fumes.
- Check the work area before each use. Remove all objects such as rocks, broken glass, nails, wire, or line which can be thrown or become entangled in the machine.
- Keep bystanders away . All visitors and pets should be kept a safe distance away from the work area.

PERSONAL SAFETY

- All visitors, children and pets should stay at a safe distance from the work area. Keep bystanders away.
- Stay alert. Watch what you are doing. Use common sense. Do not operate string trimmer when you are tired or under the influence of drugs, alcohol or medications.
- Use right appliance. Do not use an appliance for any job except that for which it is intended.
- Don't wear loose clothing or jewelry. Wear protective hair covering to contain long hair. They can be caught in moving parts. Use of rubber gloves and substantial footwear is recommended when working outdoors.
- Wear safety glasses with side shields or goggles that are marked to comply with ANSI Z87.1 standard when operating this product. Use face or dust mask if environment is dusty.
- Do not operate the equipment while barefoot or when wearing sandals or similar lightweight footwear. Wear protective footwear that will protect your feet and improve your footing on slippery surfaces.
- Keep all parts of your body away from any moving part.
- Do not overreach. Keep firm footing and balance. Overreaching can result in loss of balance.
- Avoid Accidental Start. Do not carry plugged in appliance with finger on trigger. Be sure the switch trigger is not engaged before plugging in.
- Do not use tool if switch trigger does not turn it on or off. Any tool that cannot be controlled with the switch trigger is dangerous and must be repaired.
- Disconnect appliance. Remove trimmer from power source before storing, servicing, changing accessories such as cutting line and when not in use. Such preventive safety measures reduce the risk of starting the tool accidentally.
- Ground Fault Circuit Interrupter(GFCI) protection should be provided on the circuit(s) or outlet(s) to be used for the string trimmer. Receptacles are available having built-in GFCI protection and may be used.
- Use safety glasses . Also use safety footwear, snug-fitting clothing, protective gloves, hearing and head protection.



WARNING: Some dust created by this product contains chemicals known to the State of California to cause cancer, birth defects or other reproductive harm. Some examples of these chemicals are:

- compounds in fertilizers
- compounds in insecticides, herbicides and pesticides
- arsenic and chromium from chemically treated lumber

Your risk from exposure to these chemicals varies depending on how often you do this type of work. To reduce your exposure to these chemicals, wear approved safety equipment such as dust masks that are specially designed to filter out microscopic particles.

POWER TOOL USE AND CARE

- Know this tool. Read manual carefully, learn its applications and limitations, as well as the specific potential hazards related to this tool.
- Check for misalignment or binding of moving parts, breakage of parts, and any other condition that may affect the power tools operation. If damaged, have the power tool serviced before using. Many accidents are caused by poorly maintained tools.
- Do not force power tool. Use the correct power tool for your application. The correct power tool will do the job better and safer at the rate for which it is designed.
- Maintain tools with care. Keep tool clean. A properly maintained tool, reduces the risk of binding and is easier to control.
- Store idle power tools out of reach of children and other untrained persons. Power tools are dangerous in the hands of untrained users.
- Check operation of the tool before use. Do not use the tool if the workpiece contact mechanism is not working correctly as accidental driving of a fastener may occur.
- Do not use the power tool if switch does not turn it on or off. Any power tool that cannot be controlled with the switch is dangerous and must be repaired.
- Keep the tool and its handle dry, clean and free from oil and grease. Always use a clean cloth when cleaning. Never use brake fluids, gasoline, petroleum-based products, or any strong solvents to clean your tool.
- Do not operate the tool if it does not contain a legible warning label.
- Use the power tool, accessories and tool bits etc. in accordance with these instructions, taking into account the working conditions and the work to be performed. Use of the power tool for operations different from those intended could result in a hazardous situation.
- Save these instructions. Refer to them frequently and use them to instruct others who may use this tool. If you lend this tool to someone else, also lend them these instructions.
- Avoid Dangerous Environment – Don't use appliances in damp or wet locations.
- Don't Use In Rain.
- Keep Children Away – All visitors should be kept at a distance from work area.
- Dress Properly – Do not wear loose clothing or jewelry. They can be caught in moving parts. Use of rubber gloves and substantial footwear is recommended when working outdoors. Wear protective hair covering to contain long hair.
- Use Safety Glasses – Always use face or dust mask if operation is dusty.
- Use Right Appliance – Do not use appliance for any job except that for which it is intended.
- Avoid Unintentional Starting – Don't carry plugged-in appliance with finger on switch. Be sure switch is off when plugging in.
- Don't Force Appliance – It will do the job better and with less likelihood of a risk of injury at the rate for which it was designed.
- Don't Overreach – Keep proper footing and balance at all times.
- Stay Alert – Watch what you are doing. Use common sense. Do not operate appliance when you are tired.
- Store Idle Appliances Indoors – When not in use, appliances should be stored indoors in dry, and high or locked-up place – out of reach of children.
- Maintain Appliance With Care – Keep cutting edge sharp and clean for best performance and to reduce the risk of injury. Follow instructions for lubricating and changing accessories. Inspect appliance cord periodically, and if damaged, have it repaired by an authorized service facility. Inspect extension cords periodically and replace if damaged. Keep handles dry, clean, and free from oil and grease.
- Check Damaged Parts – Before further use of the appliance, a guard or other part that is damaged should be carefully checked to determine that it will operate properly and perform its intended function. Check

for alignment of moving parts, binding of moving parts, breakage of parts, mounting, and any other condition that may affect its operation. A guard or other part that is damaged should be properly repaired or replaced by an authorized service center unless indicated elsewhere in this manual.

- For EDGER-TRIMMERS
 - Keep guards in place and in working order.
 - Keep blades sharp.

BATTERY TOOL USE AND CARE



WARNING: USE ONLY POWERSMART APPROVED REPLACEMENT BATTERIES, OTHER BATTERIES MAY CAUSE INJURY OR DAMAGE TO THE MOWER. Use with POWERSMART 40V battery.

Battery safety rules

- Battery tools do not have to be plugged into an electrical outlet; therefore, they are always in operating condition. Be aware of possible hazards when not using your battery tool or when changing accessories. Following this rule will reduce the risk of electric shock, fire, or serious personal injury.
- Do not place battery tools or their batteries near fire or heat. This will reduce the risk of explosion and injury.
- Do not crush, drop or damage battery pack. Do not use a battery pack or charger that has been dropped or received a sharp blow. A damaged battery is subject to explosion. Properly dispose of a dropped or damaged battery immediately.
- Batteries can explode in the presence of a source of ignition, such as a pilot light. To reduce the risk of serious personal injury, never use any cordless product in the presence of open flame. An exploded battery can propel debris and chemicals. If exposed, flush with water immediately. Do not charge battery tool in a damp or wet location. Following this rule will reduce the risk of electric shock.
- For best results, your battery tool should be charged in a location where the temperature is more than 45°F but less than 104°F. To reduce the risk of serious personal injury, do not store outside or in vehicles.
- Under extreme usage or temperature conditions, battery leakage may occur. If liquid comes in contact with your skin, wash immediately with soap and water. If liquid gets into your eyes, flush them with clean water for at least 10 minutes, then seek immediate medical attention. Following this rule will reduce the risk of serious personal injury.
- When battery pack is not in use, keep it away from other metal objects like: paper clips, coins, keys, nails, screws, or other small metal objects that can make a connection from one terminal to another. Shorting the battery terminals together may cause sparks, burns, or a fire.
- Always remove battery pack from your tool when you are assembling parts, making adjustments, cleaning, or when not in use. Removing battery pack will prevent accidental starting that could cause serious personal injury.
- Always remove battery pack before storing the device. When battery becomes fully charged, unplug the charger from the power supply and remove the battery pack from the charger.
- Always wear eye protection with side shields marked to comply with ANSI Z87.1, along with hearing protection. Failure to do so could result in objects being thrown into your eyes and other possible serious injuries.
- Keep battery pack dry, clean, and free from oil and grease. Always use a clean cloth when cleaning. Never use brake fluids, gasoline, petroleum-based products, or any solvents to clean battery pack.
- Do not open or mutilate the battery. Released electrolyte is corrosive and may cause damage to the eyes or skin. It may be toxic if swallowed.

WARNING: Read all safety warnings and instructions. Failure to follow the warnings and instructions may result in electric shock, fire and/or serious injury.

- a) Prevent unintentional starting. Ensure the switch is in the off-position before connecting to battery pack, picking up or carrying the appliance. Carrying the appliance with your finger on the switch or energizing appliance that have the switch on invites accidents.

- b) Disconnect the battery pack from the appliance before making any adjustments, changing accessories, or storing appliance. Such preventive safety measures reduce the risk of starting the appliance accidentally.
- c) Recharge only with the charger specified by the manufacturer. A charger that is suitable for one type of battery pack may create a risk of fire when used with another battery pack.
- d) Use appliances only with specifically designated battery packs. Use of any other battery packs may create a risk of injury and fire.
- e) When battery pack is not in use, keep it away from other metal objects, like paper clips, coins, keys, nails, screws or other small metal objects, that can make a connection from one terminal to another. Shorting the battery terminals together may cause burns or a fire.
- f) Under abusive conditions, liquid may be ejected from the battery; avoid contact. If contact accidentally occurs, flush with water. If liquid contacts eyes, additionally seek medical help. Liquid ejected from the battery may cause irritation or burns. (This advice is considered correct for conventional NiMh, NiCd, lead acid and lithium-ion cell types. If this advice is incorrect for a cell design that differs from these, then the correct advice may be substituted.)
- g) Do not use a battery pack or appliance that is damaged or modified. Damaged or modified batteries may exhibit unpredictable behavior resulting in fire, explosion or risk of injury.
- h) Do not expose a battery pack or appliance to fire or excessive temperature. Exposure to fire or temperature above 130°C may cause explosion. The temperature of 130°C can be replaced by the temperature of 265°F.
- i) Follow all charging instructions and do not charge the battery pack or appliance outside of the temperature range specified in the instructions. Charging improperly or at temperatures outside of the specified range may damage the battery and increase the risk of fire.
- j) Have servicing performed by a qualified repair person using only identical replacement parts. This will ensure that the safety of the product is maintained.
- k) Do not modify or attempt to repair the appliance or the battery pack (as applicable) except as indicated in the instructions for use and care.

Proper care for battery

Off-season storage

To obtain the longest possible battery life, we suggest the following:

- Remove the battery pack from the charger once it is fully charged and ready for use.

For battery pack storage longer than 30 days:

- Store the battery pack where the temperature is below 80°F and away from moisture.
- Store battery packs in a fully charged condition.
- Every two months of storage, charge the pack as normal.

Charger safety rules

- Charge the battery in a dry area that is protected from the weather. Do not expose the string trimmer or the charger to rain. Do not charge the battery in a wet location. Operate the battery charger in temperatures between 45° and 104°F. In order to reduce the risk of electric shock, use only the charger that is provided by the manufacturer to charge the battery.
- DO NOT ABUSE THE CHARGE CORD. Never carry the charger by the cord. Do not disconnect the charger from the outlet by pulling the charger cord.
- Do not use a damaged charger. Replace the charger cords or the charger immediately.
- Keep the string trimmer and the charger away from water, heat sources (radiators, heaters, stoves, etc.), flames, and chemicals.
- Make sure the battery pack is secured in the charger before beginning operation.
- The battery pack will become slightly warm to the touch while charging. This is normal and does not indicate a problem.
- Do not place the charger and battery pack in an area of extreme heat or cold. They will work best at normal room temperature.

- When batteries become fully charged, unplug the charger from the power supply and remove the battery pack.



WARNING: When transporting or servicing unit, always remove the battery.



WARNING: Some dust created by power sanding, sawing, grinding, drilling and other construction activities contains chemicals known to the state of California to cause cancer, birth defects or other reproductive harm. Some examples of these chemicals are:

- Lead from lead-based paints,
- Crystalline silica from bricks and cement and other masonry products, and
- Arsenic and chromium from chemically-treated lumber.
- Your risk from these exposures varies, depending on how often you do this type of work. To reduce your exposure to these chemical: work in a well ventilated area, and work with approved safety equipment, such as those dust masks that are specially designed to filter out microscopic particles.

SERVICE









- Tool service must be performed only by qualified repair personnel. Service or maintenance performed by unqualified personnel could result in a risk of injury.
- When servicing a tool, use only identical replacement parts. Follow instructions in the Maintenance section of this manual. Use of unauthorized parts or failure to follow Maintenance Instructions may create a risk of electric shock or injury.

SPECIFIC SAFETY RULES FOR STRING TRIMMER

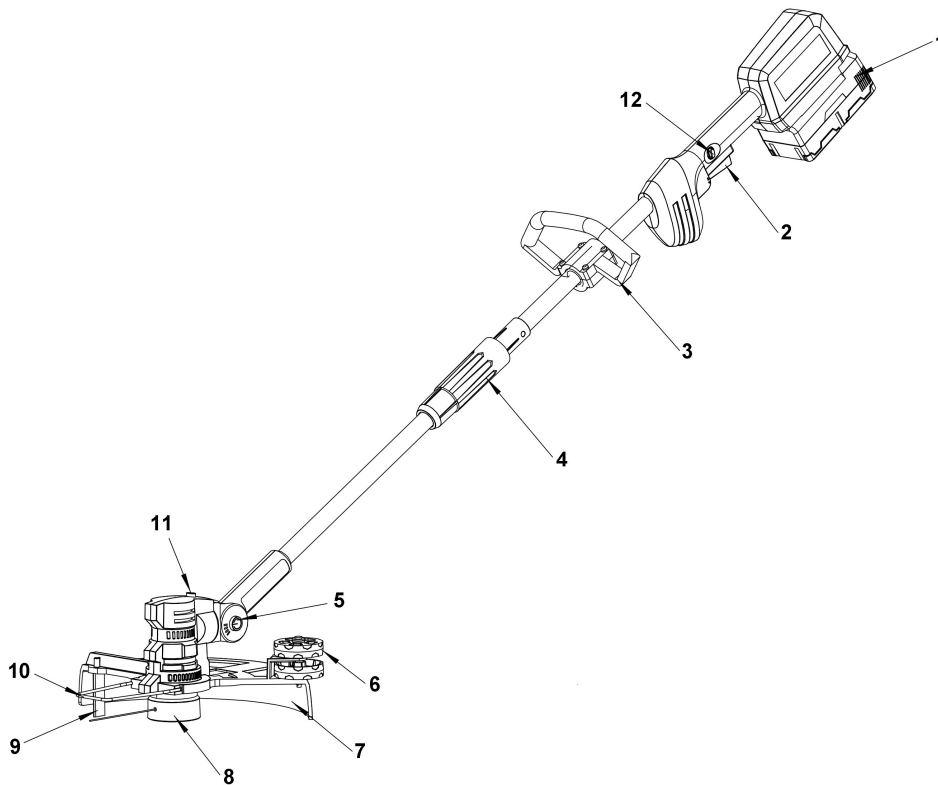
- Only operate trimmer in daylight or good artificial light.
- When being used as an Edger, stones, pieces of metal and other objects can be thrown out at high speed by the line. The tool and guard are designed to reduce the danger. However, the following special precautions should be taken: **MAKE SURE** that other persons and pets are at least 100 feet (30m) away.
- Use only the manufacturer's 0.065 in. diameter replacement line in the cutting head. Do not use any other cutting attachment, for example, metal wire, rope, or the like. To install any other brand of cutting head to this string trimmer can result in serious personal injury.
- Never operate unit without the grass deflector in place and in good condition.
- Check damaged parts. Before further use of the tool, a guard or other part that is damaged should be carefully checked to determine that it will operate properly and perform its intended function. Check for alignment of moving parts, binding of moving parts, breakage of parts, mounting and any other conditions that may affect its operation. A guard or other part that is damaged must be properly repaired or replaced by an authorized service center to avoid risk of personal injury.
- Never use blades, flailing devices, wire, or rope. Unit is designed for string trimmer use only. Use of any other accessories or attachments will increase the risk of injury.
- Keep the air vents clean and free of debris to avoid overheating the motor. Clean after each use.
- Stop the unit and disconnect the power source when not in use. Carry the unit with the motor stopped.
- Do not use the string trimmer with any type of accessory or attachment. Such usage might be hazardous.
- Risk of cut. Keep hands away from the line. Keep both hands on handles when power is on.
- Do not attempt to remove cut material or hold material to be cut when lines are moving. Make sure trimmer switch is off when clearing jammed material from guard. Do not grasp the guard or lines when picking up or holding the trimmer.
- Do not force trimmer. It will do the job better and with less likelihood of a risk of injury at the rate for which it was designed.
- When not in use, the string trimmer should be stored indoors in a dry and high or locked-up place, out of reach of children.

SYMBOLS

Some of the following symbols may be used on this product. Please study them and learn their meaning. Proper interpretation of these symbols will allow you to operate the product better and safer.

SYMBOL	NAME	DESIGNATION/EXPLANATION
V	Volts	Voltage
A	Amperes	Current
Hz	Hertz	Frequency (cycles per second)
W	Watts	Power
MIN	Minutes	Time
	Safety Alert	Precautions that involve your safety.
	Read the user's manual	To reduce the risk of injury, user must read and understand user's manual before using this product.
	Eye protection	Wear eye protection when operating this equipment.
	Hearing protection	Use proper hearing protection when operating this equipment.
	Disconnect the battery pack	When maintain the machine, remove the battery pack.
	Keep Bystanders away	Keep all bystanders at least 50 ft. away.
	Ricochet	Thrown objects can ricochet and result in personal injury or property damage.
	Wet conditions alert	Do not expose to rain or use in damp locations.

KNOWING YOUR STRING TRIMMER



- | | | | |
|---|---------------------------------|----|-------------------------|
| 1 | Battery pack | 7 | Safety guard |
| 2 | Start switch | 8 | Trimmer head |
| 3 | Auxiliary handle | 9 | Blade |
| 4 | Connection lock | 10 | Protective bracket |
| 5 | Pivoting head adjustment button | 11 | Edger adjustment button |
| 6 | Edging guide wheel | 12 | Switch lock out button |

ASSEMBLY INSTRUCTIONS

Unpacking

Unpack the string trimmer and all its parts, and compare against the list below. Do not discard the carton or any packaging materials. Please call 1-800-791-9458 or E-mail us at support@amerisuninc.com if any parts are damaged or missing.

PACKING LIST

Safety guard*1

Edging guide wheel*1

Battery and Charger*1

Screw M5*14mm*1

Spool*2

User manual*1

Auxiliary handle assembly*1 (Auxiliary handle*1, M5 lock nut*4, M5*30 bolt*4, damping sleeve*1, locking block*1)



WARNING:

Do not use this product if any parts on the packing list are already assembled to your product when you unpack it. Parts on this list are not assembled to the product by the manufacturer and require customer installation. Use of a product that may have been improperly assembled could result in serious personal injury.



WARNING:

If any parts are damaged or missing do not operate this product until the parts are replaced. Use of this product with damaged or missing parts could result in serious personal injury.



WARNING:

Do not attempt to modify this product or create accessories not recommended for use with this product. Any such alteration or modification is misuse and could result in a hazardous condition leading to possible serious personal injury.

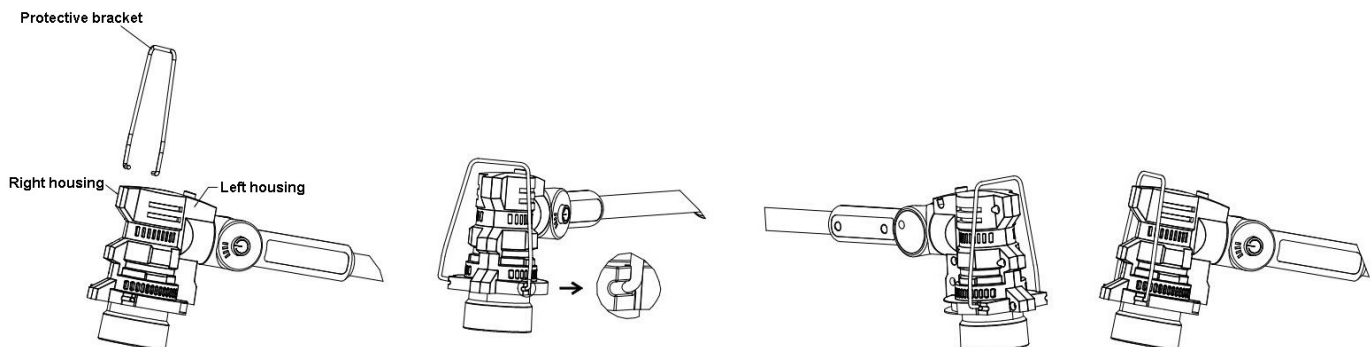


WARNING:

Do not connect to power supply until assembly is complete. Failure to comply could result in accidental starting and possible serious personal injury.

INSTALLING PRODUCTION BRACKET

1. Align one end of the protective bracket with the mounting hole of the left housing and install it.
2. Install the other end of the protective bracket into the mounting hole at the right housing.



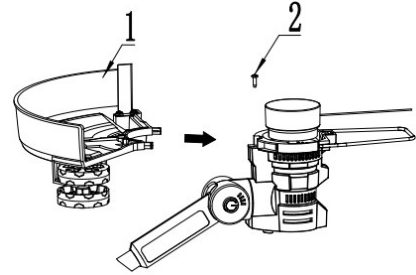
INSTALLING THE SAFETY GUARD

To avoid injury, always remove the battery pack before installing the guard, changing a cutting line, or making any adjustments.

If the guard is damaged, do not use the grass trimmer/edger until it is replaced.

NOTE: Install the protective guard before operating the grass trimmer/edger. It cannot be removed or disassembled.

1. Remove the battery pack.
2. Invert the grass trimmer/edger to access the trimmer head.
3. Insert the safety guard into the corresponding slot on the housing in the direction of the arrow. Lock with screws.

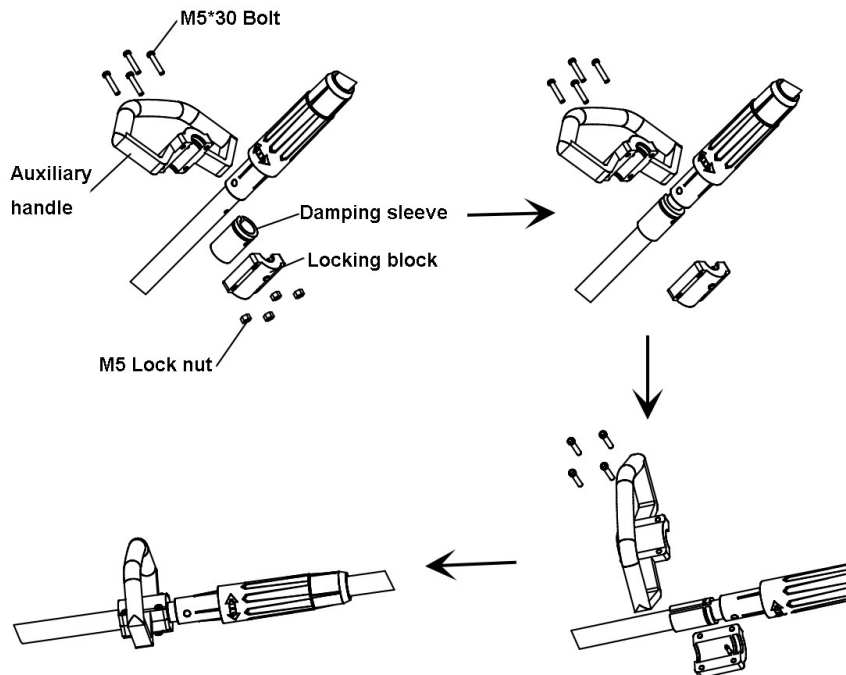


INSTALLING THE AUXILIARY HANDLE



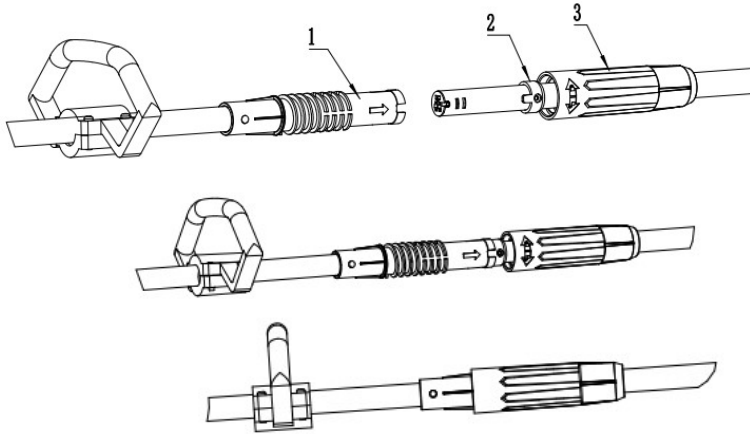
WARNING: To avoid injury, adjust the auxiliary handle for optimum control and balance. Do not overreach when operating string trimmer/edger. Keep proper balance at all times for better control of the tool in unexpected situations.

1. Install M5 lock nut into the locking block.
2. Align the convex point on the locking block with the hole in the pipe and install it.
3. Cover the auxiliary handle.
4. Lock with 4pcs bolts (M5*30).



CONNECTING THE UPPER SHAFT AND THE TELESCOPIC SHAFT

1. Align the arrow on the upper handle (1) with the convex point (2) on the telescopic shaft and insert it to the end.
2. Hold the upper handle and tighten the telescopic shaft.

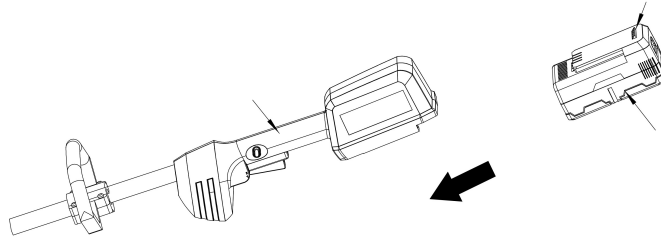


CONNECTING AND REMOVING BATTERY

IMPORTANT! The battery pack is not charged when it is purchased. Before using the power tool for the first time, place the battery pack in the battery charger and charge. Make sure to read all safety precautions, and follow the instructions in the battery charger section.

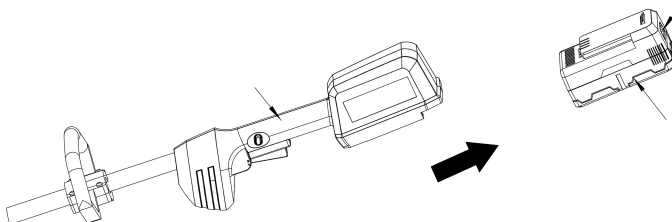
To install the battery pack

To install the battery pack into the bottom of the handle, align the rails of the battery pack with the rails in the handle and push the battery into the handle. To connect the battery, slide the battery pack fully forward. Until the latch locks into place.



To remove the battery pack

Press the battery release button, slide the battery pack backward, and then pull or lift the battery out of the tool.



WARNING:

Follow these instructions in order to avoid injury and to reduce the risk of electric shock or fire:

- Replace the battery pack or the charger immediately if the battery case or charger cord is damaged.

- Verify that the battery pack is removed before inspecting, adjusting, or performing maintenance on any part of the power tool.
- Read, understand, and follow the instructions.

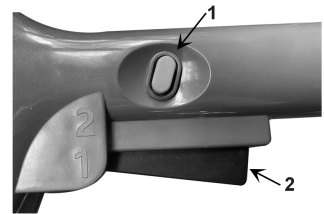
OPERATING INSTRUCTIONS



WARNING: Read and thoroughly understand all instructions and safety information before operating this string trimmer. Failure to do so may cause serious injury or death. Do not allow anyone to operate this string trimmer who has not read this manual. A string trimmer can be dangerous if assembled or used improperly. Do not operate this string trimmer if you have doubts or questions concerning safe operation. Call our customer service department at 1-800-791-9458 to address these concerns.

STARTING/STOPPING THE STRING TRIMMER

- Install the battery pack. (Refer to Installing the battery pack)
- To start the string trimmer, press the self-locking button (1) first, then press the trigger switch (2).
- There are two speeds. Speed 1: tap the trigger switch; Speed 2: continuously press the trigger switch twice.
- To switch off, release the trigger switch (2).

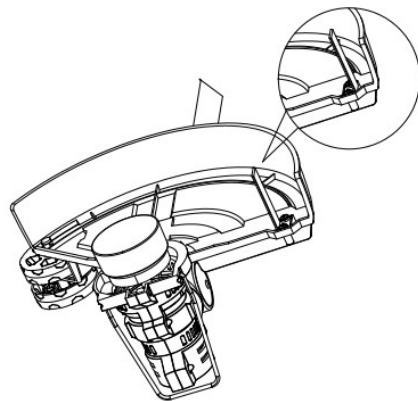


WARNING:

The tool runs for approximately 3 seconds after it has been switched off. Let the motor come to a complete standstill before setting the tool down.

CUTTING BLADE ADJUSTMENT

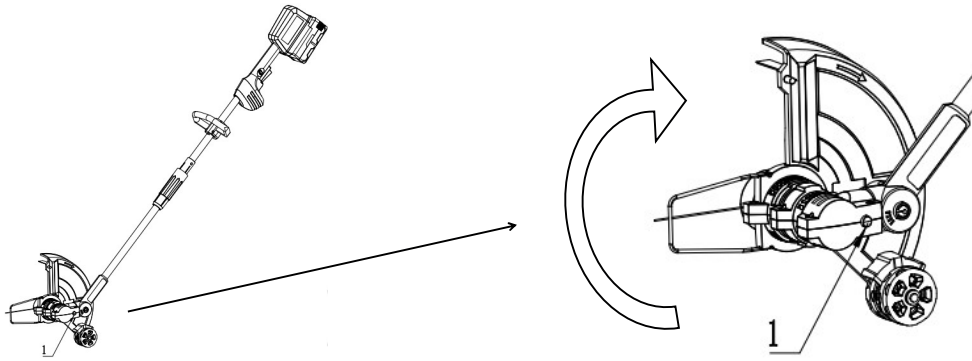
The cutting blade can be rotated 180 ° to change the cutting width from 12 inches to 13 inches.



EDGING FUNCTION

For use next to patios, driveways and walkways or any areas requiring a well groomed edge line. Push on the edge button(1) and tilt the trimmer head 90 degrees until the head locks into position and release button.

IMPORTANT: The battery must be removed before making adjustments.



OPERATING THE TRIMMER



WARNING: Make sure that the work area is free of rocks, debris, lines and other foreign objects.

1. Lower the protector to prevent the motor housing from getting too close to an object such as a tree trunk or wall and causing damage to the trimming spool.
2. Start the trimmer before approaching the grass to be cut.
3. Cut the grass by moving the trimmer from right to left and proceed slowly keep the trimmer inclined forwards at an angle of about 30° light cuts are better than heavy cuts as they allow the cut grass to fall away from the motor housing.
4. High grass should be cut in layers always beginning from the top. Do not cut damp or wet grass. Do not overload your trimmer.
5. Watch out for kickbacks in the event of impact with hard objects.
6. After finishing the cutting operation, keep the head close to ground level, release the switch and allow the motor to come to complete standstill. Place the trimmer on the ground and remove the battery pack from the trimmer.

Note: Periodically clean out the grass between the spool and the rim of the guard to prevent the tool from vibrating.

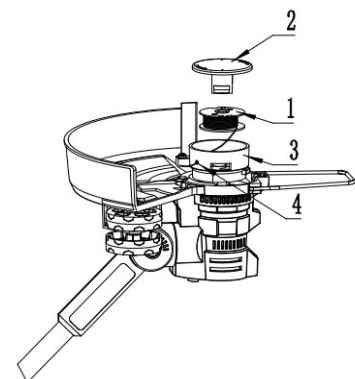
FITTING AND REPLACING LINE SPOOL ASSEMBLY

A spool of mono-filament cutting line is preinstalled on the grass trimmer. When the cutting line needs replacing, insert a new spool.

To avoid injury, always remove the battery pack before installing the guard, changing a cutting line, or making any adjustments.

To remove the spool:

1. Disconnect trimmer from the power supply.
2. Turn grass trimmer/edger over to access the spool.
3. Remove spool cover by pressing on two tabs parallel to each other on the side of the cover (2).
4. Remove the spool (1) from the spool housing (3).



To replace the spool:

1. Replace the spool (1) with a new pre-wound spool.
2. Insert the end of line through the opening (4) in the spool housing (3).
3. Align the tabs on the spool cover with the slots in the spool housing on the trimmer head.
4. Push down on the spool cover locking it to the spool housing.
5. To advance the line when initially installed, you must pull the line while pressing the black line release button on the side of the spool housing (3).

MAINTENANCE



WARNING:In order to avoid personal injury and the risk of fire and electric shock, remove the battery pack before adjusting, inspecting, or cleaning the string trimmer.



WARNING:When servicing, use only identical replacement parts. Use of any other parts could create a hazard or cause product damage.

CLEANING

Remove the battery pack.

- Stop the motor and remove the battery pack.
- Clean dirt and debris from the spool head using a damp cloth with a mild detergent.

NOTE: Wipe off the housing and the plastic components using a moist, soft cloth. Do not use strong solvents or detergents on the plastic housing or plastic components. Certain household cleaners may cause damage, and may cause a shock hazard.

GENERAL INSPECTION

Regularly check that all the fixing screws are tight. They may vibrate loose over time.

STORAGE

- Store the trimmer away from direct sunlight.
- Do not store in a nylon bag as this can encourage the formation of mold.
- Store it in a well-ventilated place that is inaccessible to children.
- Keep away from corrosive agents such as garden chemicals and deicing salts.
- At the end of the season, give the trimmer an overall cleaning and a thorough check.

BATTERY PACK

- Store the battery pack fully charged.
- Once the charging light turns green, remove the battery from the charger and disconnect the charger from the outlet.
- Do not store the battery pack on the tool.
- After charging, the battery pack may be stored in the charger, as long as the charger is not plugged in.

CHARGER MAINTENANCE

- Keep the charger clean and clear of debris. Do not allow foreign material to get into the recessed cavity or onto the contacts. Wipe the charger clean with a dry cloth. Do not use solvents or water, and do not place the charger in wet conditions.
- Unplug the charger when there is no battery pack in it.
- Fully charge the batteries before placing them in storage.
- Store the charger at normal room temperature. Do not store it in excessive heat. Do not use the charger in direct sunlight. Recharge at room temperature between 45°F and 104°F. If the battery pack is hot, allow it to cool down before recharging.

ENVIRONMENTALLY SAFE BATTERY DISPOSAL

The batteries used in this string trimmer's battery pack contain the following toxic and corrosive material: LITHIUM-ION.



WARNING:

Toxic materials must be disposed of in a specified manner in order to prevent contamination of the environment. Before disposing of damaged or worn out Lithium-Ion battery packs, contact your local waste disposal agency for information and specific instructions. Take the batteries to a local recycling and/or disposal center that is certified for disposal.

If the battery pack cracks or breaks, whether it leaks or not, do not recharge it and do not use it. Dispose of it and replace it with a new battery pack. **DO NOT ATTEMPT TO REPAIR IT!**

Follow these instructions in order to avoid injury and the risk of fire, explosion, or electric shock, and to avoid damage to the environment:

- Cover the battery's terminals with heavy-duty adhesive tape.
- Do not attempt to remove or destroy any of the components of the battery pack.
- Do not attempt to open the battery pack.
- If a leak develops, the electrolytes that are released are corrosive and toxic. Do not get the solution in the eyes or on the skin, and do not swallow it.
- Do not place batteries in regular household trash.
- DO NOT incinerate batteries.
- DO NOT place batteries where they will become part of any waste landfill or municipal solid waste stream.
- Dispose of batteries at a certified recycling or disposal center.

TROUBLE SHOOTING

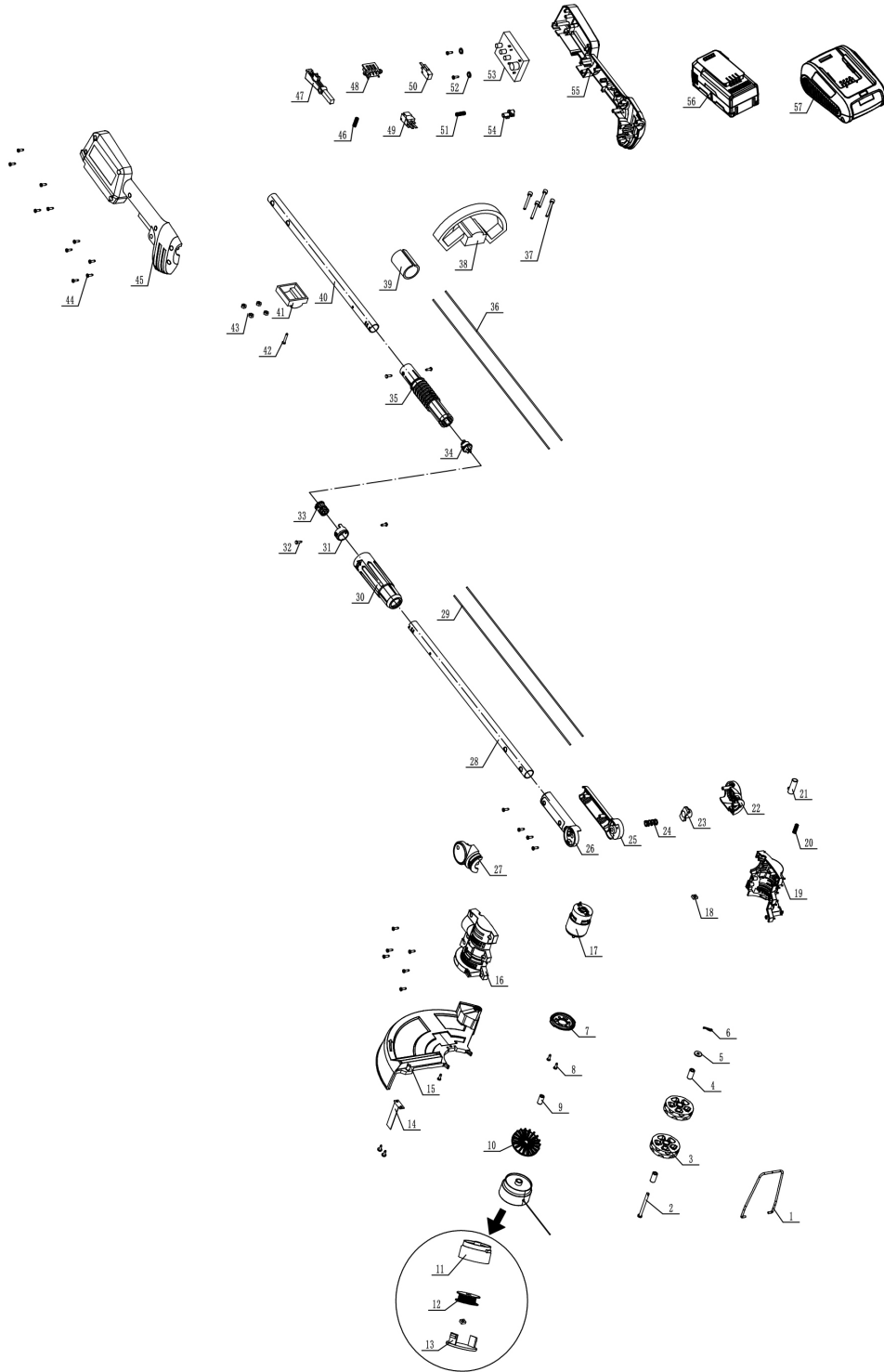


WARNING: Read instruction manual first! Remove the battery before making adjustments or assembling accessories.

The following form lists the common operating system with problem and solutions. Please read the form carefully and follow it.

PROBLEMS	POSSIBLE CAUSES	SOLUTION
Motor fails to start when switch trigger is depressed.	Battery is not secure. Battery is not charged.	To secure the battery pack, make sure the latches on the top of the battery pack snap into place. Charge the battery pack according to the instructions included with your model.
Line will not feed	Check spool Replace spool	1. Check line is not tangled or jammed in the spool. 2. Remove the line and replace the spool of the line and ensure the mechanism is clean.
Motor runs, but cutting blades do not move.	Trimmer damaged. Do not use string trimmer.	Call for technical service.
Poor cutting performance	Check the cutting line	1. Check the cutting line is fully extended. If not: 2. Manually extend the line or stop and start the trimmer until the line has been extended to the line cutter. 3. Make smaller cuts, this is a light duty trimmer. 4. Ensure line is fully extended.

EXPLODED VIEW & PART LIST



Item	Stock#	Description	Qty
1	303160914	Trimmer protection bracket	1
2	303160915	T-pin	1
3	203050710	Walking wheel	2
4	303160235	Trigger fixing sleeve 2	2
5	303042095	Flat washer	1
6	303123041	Bolt	1
7	203050711	Motor holder	1
8	303020659	Bolt	3
9	303160916	Motor connecting sleeve	1
10	203050966	Impeller	1
11	203050712	Trimmer head fixed seat	1
12	303160917	Spool assembly	1
13	203050713	Trimmer head cover	1
14	303240688	Blade	1
15	203050714	Shield	1
16	203070153	Right housing	1
17	301030095	Motor	1
18	303030147	Square nuts M5	2
19	203070154	Left housing	1
20	303130370	Spring 2	1
21	203050715	Rotate button 1	1
22	203070155	Left rotating joint	1
23	203050716	Rotate button 2	1
24	303130371	Spring 1	1
25	203070156	Left connector	1
26	203070157	Right connector	1
27	203070158	Right rotating joint	1
28	303181348	Upper tube	1
29	301100066	Upper tube conductor	2

Item	Stock#	Description	Qty
30	203050717	Sleeve	1
31	203050718	Limit sleeve	1
32	306110041	Rivet	4
33	203050719	Female buckle holder	1
34	203050720	Male buckle holder	1
35	203050721	Connector	1
36	301100067	Lower tube conductor	2
37	303020658	Bolt M5×30	4
38	203050706	Auxiliary handle	1
39	302080080	Damping sleeve	1
40	303181347	Lower tube	1
41	203050707	Locking block	1
42	303010028	Screw	1
43	303030030	Lock nut M5	4
44	303010298	Screw	25
45	203070159	Right housing	1
46	303130372	Spring 3	1
47	203050722	Trigger	1
48	203021266	Charger insert bracket	1
49	301100064	Double linkage switch	1
50	303240605	The micro switch	1
51	203021462	Self locking spring	2
52	303043050	Flat washer	2
53	303240687	Brush controller	1
54	203021462	Self locking button	1
55	203070160	Left housing	1
56	202460015	Battery pack	1
57	202470011	DB2202A Charger assembly	1

TWO (2) YEARS LIMITED WARRANTY

PowerSmart® is committed to building tools that are dependable for years. Our warranties are consistent with our commitment and dedication to quality.

TWO (2) YEARS LIMITED WARRANTY OF POWER SMART PRODUCTS FOR HOME USE.

PowerSmart ("Seller") warrants to the original purchaser only, that all PowerSmart consumer power tools will be free from defects in material or workmanship for a period of two (2) years from date of purchase. Ninety (90) days for all Power Smart Products, if the tool is used for professional or commercial use.

SELLER'S SOLE OBLIGATION AND YOUR EXCLUSIVE REMEDY under this Two (2) Years Limited Warranty and, to the extent permitted by law, any warranty or condition implied by law, shall be the repair or replacement of parts, without charge, which are defective in material or workmanship and which have not been misused, carelessly handled, or misrepaired by persons other than Seller or Authorized Service Center. To make a claim under this Limited Warranty, you must return the entire power tool product; transportation prepaid, to Power Smart Include a legible copy of the original receipt, which lists the date of purchase (month and year) and the name of the company purchased from.

THIS LIMITED WARRANTY DOES NOT APPLY TO ANY ACCESSORY ITEMS INCLUDED WITH THE TOOL SUCH AS CIRCULAR SAW BLADES OTHER RELATED ITEMS OR TO ANY REPLACEMENT PARTS LISTED UNDER MAINTENANCE.

ANY IMPLIED WARRANTIES SHALL BE LIMITED IN DURATION TO TWO (2) YEARS FROM DATE OF PURCHASE. SOME STATES IN THE U.S. AND SOME CANADIAN PROVINCES DO NOT ALLOW LIMITATIONS ON HOW LONG AN IMPLIED WARRANTY LASTS, SO THE ABOVE LIMITATION MAY NOT APPLY TO YOU.

IN NO EVENT SHALL SELLER BE LIABLE FOR ANY INCIDENTAL OR CONSEQUENTIAL DAMAGES (INCLUDING BUT NOT LIMITED TO LIABILITY FOR LOSS OF PROFITS) ARISING FROM THE SALE OR USE OF THIS PRODUCT. SOME STATES IN THE U.S. AND SOME CANADIAN PROVINCES DO NOT ALLOW THE EXCLUSION OR LIMITATION OF INCIDENTAL OR CONSEQUENTIAL DAMAGES, SO THE ABOVE LIMITATION OR EXCLUSION MAY NOT APPLY TO YOU.

THIS LIMITED WARRANTY GIVES YOU SPECIFIC LEGAL RIGHTS, AND YOU MAY ALSO HAVE OTHER RIGHTS WHICH VARY FROM STATE TO STATE IN THE U.S., PROVINCE TO PROVINCE IN CANADA AND FROM COUNTRY TO COUNTRY.

For questions / comments, technical assistance or repair parts –
Please call toll free at: 1-800-791-9458 (M-F 9am – 5pm EST)
Email: support@amerisuninc.com

SAVE YOUR RECEIPTS. THIS WARRANTY IS VOID WITHOUT THEM.

CATALOGUE

FR

Données techniques.....	23
Introduction.....	24
Précautions de sécurité.....	24
Règles générales de sécurité.....	24
Règles de sécurité spécifiques de la débroussailleuse.....	30
Symboles.....	31
Connaître votre débroussailleuse.....	32
Instructions d'assemblage.....	33
Instructions d'utilisation.....	36
Maintenance.....	38
Élimination de la batterie en sécurité pour l'environnement.....	39
Dépannage.....	40
Vue éclatée & Liste des pièces.....	41
Garantie.....	43

DONNÉES TECHNIQUES

Débroussailleuse Sans Fil 40V	Modèle # DB2603
Diamètre de coupe :	13"
Diamètre du fil de coupe :	0.065"
Type de batterie :	40V Lithium-ion, 4.0 Ah
Vitesse à vide :	vitesse 1 : 6600 RPM vitesse 2: 8500RPM
Modèle de la batterie :	DB2102
Durée de charge :	2.5 heures
Modèle de chargeur :	DB2202A
Dimensions de l'emballage (Longueur x Largeur x Hauteur) :	33.07 x 7.30 x 7.90 pouces
Poids :	13.1 lb

PRÉSENTATION

Merci d'avoir acheté le produit de PowerSmart®. Ce manuel offre les informations sur l'opération sûre et la maintenance de ce produit. Tous les efforts ont été faits pour assurer la précision des informations contenues dans ce manuel. PowerSmart® a le droit de modifier ce produit et les spécifications à tout moment sans préavis.

Veillez conserver ce manuel à la disposition de tous les utilisateurs pendant toute la durée de vie de la machine.



Ce manuel contient les messages spéciaux pour attirer l'attention sur les problèmes de sécurité potentiels, le dommage de la débroussailleuse et les informations utiles sur l'opération et l'entretien. Veuillez lire attentivement toutes les informations pour éviter les blessures et le dommage à la machine.

QUESTIONS? PROBLÈMES?

Veillez contacter notre Service à la Clientèle pour toute question et/ou commentaire, soit par Email: support@amerisuninc.com, soit gratuit au (800) 791-9458. On est disponible de 9h à 17h HNE du lundi au vendredi pour vous aider à résoudre tous les problèmes que vous pourriez rencontrer.

INFORMATION DE SÉCURITÉ

Avant d'utiliser cette machine, veuillez lire et respecter tous les avertissements, attentions et instructions dans ce Manuel du Propriétaire.

REMARQUE: Les informations de sécurité suivantes ne signifie pas couvrir toutes les conditions et situations possibles qui peuvent se passer. Lisez le Manuel du Propriétaire complet pour les instructions de sécurité et d'opération. Le non-respect des instructions et des informations de sécurité pourrait causer des blessures graves ou la mort.

Ce symbole d'alerte de sécurité est utilisé pour identifier les informations de sécurité sur les risques qui peuvent causer des blessures corporelles.



Le mot de signal (DANGER, AVERTISSEMENT ou ATTENTION) est utilisé avec le symbole d'alerte pour indiquer la possibilité et la gravité potentielle de la blessure. De plus, un symbole de risque peut être utilisé pour représenter le type de risque.

DANGER Indique le danger qui, s'il n'est pas évité, causera la mort ou des blessures graves.

AVERTISSEMENT Indique le danger qui, s'il n'est pas évité, peut causer la mort ou des blessures graves.

ATTENTION Indique le danger qui, s'il n'est pas évité, entraîne peut-être des blessures mineures ou modérées.

ATTENTION Sans le symbole d'alerte, indique une situation qui pourrait causer des dommages.

RÈGLES DE SÉCURITÉ GÉNÉRALES

La sécurité est une combinaison de bon sens, de rester alerte et de savoir comment fonctionner votre coupe-bordures.

CONSERVEZ CES INSTRUCTIONS DE SÉCURITÉ.



AVERTISSEMENT: N'opérez pas cet équipement avant d'avoir lu ce manuel d'instructions sur les instructions de sécurité, d'opération et d'entretien. Le non-respect de toutes les instructions listées ci-dessous peut entraîner un choc électrique, un incendie et/ou des blessures corporelles graves.

SÉCURITÉ DE LA ZONE DE TRAVAIL

- N'utilisez pas cette machine sous la pluie, dans les endroits humides ou mouillés. Ne l'opérez pas dans les atmosphères gazeuses ou explosives. Les moteurs de ces outils déclenchent normalement des étincelles et les étincelles peuvent enflammer les fumées.
- Vérifiez la zone de travail avant chaque utilisation. Enlevez tous les objets tels que roches, verre brisé, les clous, fil ou ligne qui peuvent être jetés ou être emmêlés dans la machine.
- Éloignez les spectateurs. Tous les visiteurs et les animaux domestiques doivent être tenus à une distance sûre de la zone de travail.

SÉCURITÉ PERSONNELLE

- Tous les visiteurs, enfants et animaux domestiques doivent rester à une distance sûre de la zone de travail. Éloignez les spectateurs.
- Restez alerte. Regardez ce que vous êtes en train de faire. Utilisez le bon sens. N'utilisez pas la débroussailleuse quand vous êtes fatigué ou sous l'influence de drogues, d'alcool ou de médicaments.
- Utilisez un bon appareil. N'utilisez pas l'appareil pour un travail autre que celui prévu.
- Ne portez pas de vêtements amples ou de bijoux. Portez un couvre-cheveux protecteur pour contenir les cheveux longs. Ils peuvent être pris dans des pièces mobiles. L'utilisation de gants en caoutchouc et de chaussures substantielles est recommandée lorsque vous travaillez à l'extérieur.
- Portez des lunettes de sécurité avec des écrans latéraux ou des lunettes de protection qui sont marquées conformes à la norme ANSI Z87.1 lors de l'utilisation de ce produit. Utilisez un masque facial ou anti-poussière si l'environnement est poussiéreux.
- N'utilisez pas l'équipement pieds nus ou lorsque vous portez des sandales ou des chaussures légères similaires. Portez des chaussures de protection qui protégeront vos pieds et amélioreront votre prise sur les surfaces glissantes.
- Éloignez toutes les parties de votre corps de toute partie en mouvement.
- Ne vous étirez pas trop loin. Gardez le pied ferme et l'équilibre. Une portée excessive peut entraîner une perte d'équilibre.
- Évitez le démarrage accidentel. Ne transportez pas d'appareil branché avec le doigt sur le déclencheur. Assurez-vous que le déclencheur de l'interrupteur n'est pas enclenché avant de brancher.
- N'utilisez pas l'outil si le déclencheur de l'interrupteur ne l'allume pas ou ne l'éteint pas. Tout outil qui ne peut pas être contrôlé avec le déclencheur de l'interrupteur est dangereux et doit être réparé.
- Déconnectez l'appareil. Retirez la débroussailleuse de la source d'alimentation avant de la stocker, de l'entretenir, de changer des accessoires tels que la ligne de coupe et lorsqu'elle n'est pas utilisée. De telles mesures de sécurité préventives réduisent le risque de démarrage accidentel de l'outil.
- La protection par disjoncteur différentiel de fuite à la terre (DDFT) doit être fournie sur le(s) circuit(s) ou la(les) prise(s) à utiliser pour la débroussailleuse. Les prises sont disponibles avec une protection DDFT intégrée et peuvent être utilisées.
- Utilisez des lunettes de sécurité. Utilisez aussi des chaussures de sécurité, des vêtements ajustés, des gants de protection, des protections auditives et de la tête.



AVERTISSEMENT: Certaines poussières créées par ce produit contiennent des produits chimiques reconnus par l'État de Californie pour causer le cancer, des malformations congénitales ou d'autres dommages à la reproduction. Voici quelques exemples de ces produits chimiques:

- composés dans les engrais
- composés dans les insecticides, herbicides et pesticides
- arsenic et chrome venant du bois traité chimiquement

Votre risque d'exposition à ces produits chimiques varie selon la fréquence à laquelle vous faites ce type de travail. Pour réduire votre exposition à ces produits chimiques, portez des équipements de sécurité approuvés tels que des masques anti-poussière spécialement conçus pour filtrer les particules microscopiques.

UTILISATION ET ENTRETIEN DES OUTILS ÉLECTRIQUES

- Connaissez cet outil. Lisez attentivement ce manuel, apprenez ses applications et ses limites, ainsi que les dangers potentiels spécifiques liés à cet outil.
- Vérifiez qu'il y a le désalignement ou le grippage des pièces mobiles, le bris de pièces et toute autre condition pouvant affecter le fonctionnement des outils électriques. S'il est endommagé, faites entretenir l'outil électrique avant de l'utiliser. Beaucoup d'accidents sont causés par des outils mal entretenus.
- Ne forcez pas l'outil électrique. Utilisez l'outil électrique approprié pour votre application. Le bon outil électrique fera le travail mieux et plus sûrement à la vitesse pour laquelle il est conçu.
- Maintenez les outils avec soin. Gardez l'outil propre. Un outil bien entretenu, réduit les risques de grippage et est plus facile à contrôler.
- Stockez les outils électriques inactifs hors de portée des enfants et des autres personnes non formées. Les outils électriques sont dangereux dans les mains d'utilisateurs non formés.
- Vérifiez le fonctionnement de l'outil avant utilisation. N'utilisez pas l'outil si le mécanisme de contact avec la pièce à travailler ne fonctionne pas correctement, car une conduite accidentelle d'une pièce de fixation peut se produire.
- N'utilisez pas l'outil électrique si l'interrupteur ne l'allume pas ou ne l'éteint pas. Tout outil électrique qui ne peut pas être contrôlé par l'interrupteur est dangereux et doit être réparé.
- Gardez l'outil et sa poignée sec, propre et exempt d'huile et de graisse. Utilisez toujours un chiffon propre lors du nettoyage. N'utilisez jamais de fluide de frein, d'essence, de produits à base de pétrole ou de solvants puissants pour nettoyer votre outil.
- N'utilisez pas l'outil s'il ne comprend pas d'étiquette d'avertissement lisible.
- Utilisez l'outil électrique, les accessoires et les lames d'outil, etc. conformément à ces instructions, en tenant compte des conditions de travail et le travail à effectuer. L'utilisation de l'outil électrique pour des opérations différentes de celles prévues pourrait entraîner une situation dangereuse.
- Conservez ces instructions. Référez-vous fréquemment à eux et utilisez-les pour donner des instructions à d'autres personnes qui utilisent peut-être cet outil. Si vous prêtez cet outil à quelqu'un d'autre, prêtez-lui aussi ces instructions.
- Évitez les environnements dangereux - N'utilisez pas d'appareils dans des endroits humides ou mouillés.
- N'utilisez pas sous la pluie.
- Éloignez les enfants - Tous les visiteurs doivent être tenus à distance de la zone de travail.
- Habillez-vous correctement – Ne portez pas de vêtements amples ou de bijoux. Ils peuvent être pris dans les pièces mobiles. L'utilisation de gants en caoutchouc et de chaussures substantielles est recommandée lorsque vous travaillez à l'extérieur. Portez un couvre-cheveux protecteur pour contenir les cheveux longs.
- Utilisez des lunettes de sécurité - Utilisez toujours un masque facial ou anti-poussière si le fonctionnement est poussiéreux.
- Utilisez le bon appareil - N'utilisez pas l'appareil pour un travail autre que celui auquel il est destiné.
- Évitez le démarrage involontaire - Ne transportez pas d'appareil branché avec le doigt sur le déclencheur. Assurez-vous que le déclencheur est éteint lors du branchement.

- Ne forcez pas l'appareil - Il fera mieux le travail et avec moins de risques de blessures à la vitesse pour laquelle il a été conçu.
- Ne vous étirez pas trop loin. - Gardez un pied et un équilibre appropriés à tout moment.
- Restez alerte - Regardez ce que vous êtes en train de faire. Utilisez le bon sens. N'utilisez pas l'appareil lorsque vous êtes fatigué.
- Stockez les appareils inactifs à l'intérieur - Lorsqu'ils ne sont pas utilisés, les appareils doivent être stockés à l'intérieur dans un endroit sec et haut ou verrouillé - hors de portée des enfants.
- Maintenez l'appareil avec soin - Gardez le tranchant tranchant et propre pour de meilleures performances et pour réduire le risque de blessure. Suivez les instructions pour lubrifier et changer les accessoires. Inspectez périodiquement le cordon de l'appareil et, s'il est endommagé, faites-le réparer par un centre de service agréé. Inspectez périodiquement les rallonges et remplacez-les si elles sont endommagées. Gardez les poignées sèches, propres et exemptes d'huile et de graisse.
- Vérifiez les pièces endommagées - Avant de poursuivre l'utilisation de l'appareil, un protecteur ou une autre pièce endommagée doit être soigneusement vérifié pour déterminer qu'il fonctionnera correctement et remplira la fonction prévue. Vérifiez l'alignement des pièces mobiles, le grippage des pièces mobiles, le bris de pièces, le montage et toute autre condition pouvant affecter son fonctionnement. Un protecteur ou une autre pièce endommagée doit être correctement réparé ou remplacé par un centre de service agréé, sauf indication contraire dans ce manuel.
- Pour les COUPE-BORDURES
 - Gardez les protecteurs en place et en bon état de fonctionnement.
 - Gardez les lames tranchantes.

UTILISATION ET ENTRETIEN DES OUTILS DE BATTERIE



AVERTISSEMENT: UTILISEZ UNIQUEMENT DES BATTERIES DE REMPLACEMENT APPROUVÉES PAR POWERSMART, D'AUTRES BATTERIES PEUVENT CAUSER DES BLESSURES OU DES DOMMAGES À LA

DÉBROUSSAILLEUSE. Utilisez avec la batterie POWERSMART 40V.

Règles de sécurité de la batterie

- Les outils à batterie n'ont pas besoin d'être branchés sur une prise électrique; donc, ils sont toujours en état de fonctionnement. Soyez conscient des risques possibles lorsque vous n'utilisez pas votre outil à batterie ou lorsque vous changez d'accessoires. Le respect de cette règle réduira le risque de choc électrique, d'incendie ou de blessure corporelle grave.
- Ne placez pas les outils à batterie ou leurs batteries près du feu ou de la chaleur. Cela réduira le risque d'explosion et de blessure.
- Ne pas écraser, laisser tomber ou endommager la batterie. N'utilisez pas de batterie ou de chargeur qui est tombé ou a reçu un coup violent. Une batterie endommagée est sujette à une explosion. Éliminez correctement une batterie tombée ou endommagée immédiatement.
- Les batteries peuvent exploser en présence d'une source d'inflammation, telle qu'une flamme pilote. Pour réduire le risque de blessures corporelles graves, n'utilisez jamais de produit sans fil en présence d'une flamme nue. Une batterie explosée peut propulser des débris et des produits chimiques. En cas d'exposition, rincez immédiatement à l'eau. Ne chargez pas l'outil à batterie dans un endroit humide ou mouillé. Le respect de cette règle réduira le risque de choc électrique.
- Pour de meilleurs résultats, votre outil à batterie doit être chargé dans un endroit où la température est supérieure à 45°F mais inférieure à 104°F. Pour réduire le risque de blessures graves, ne stockez pas à l'extérieur ou dans des véhicules.
- Dans des conditions d'utilisation ou de température extrêmes, une fuite de la batterie peut se produire. Si le liquide contacte avec votre peau, lavez-vous immédiatement à l'eau et au savon. Si le liquide pénètre dans vos yeux, rincez-les avec l'eau propre au moins 10 minutes, puis consultez

immédiatement un médecin. Le respect de cette règle réduira le risque de blessures corporelles graves.

- Lorsque la batterie n'est pas utilisée, gardez-la à l'écart d'autres objets métalliques tels que: trombones, pièces de monnaie, clés, clous, vis ou autres petits objets métalliques pouvant faire une connexion d'un terminal à un autre. Le court-circuitage des bornes de la batterie ensemble peut provoquer des étincelles, des brûlures ou un incendie.
- Retirez toujours la batterie de votre outil lorsque vous assemblez des pièces, effectuez des ajustements, nettoyez ou lorsque vous ne l'utilisez pas. Le retrait de la batterie empêchera un démarrage accidentel qui pourrait causer des blessures graves.
- Retirez toujours la batterie avant de stocker l'appareil. Lorsque la batterie est complètement chargée, débranchez le chargeur de l'alimentation et retirez la batterie du chargeur.
- Portez toujours une protection oculaire avec des écrans latéraux marqués conforme à la norme ANSI Z87.1, ainsi qu'une protection auditive. Le non-respect de ce conseil pourrait entraîner des objets jetés dans vos yeux et d'autres blessures graves possibles.
- Gardez la batterie sèche, propre et exempte d'huile et de graisse. Utilisez toujours un chiffon propre lors du nettoyage. N'utilisez jamais de fluide de frein, d'essence, de produits à base de pétrole ou de solvants pour nettoyer la batterie.
- N'ouvrez ni ne mutilez la batterie. L'électrolyte libéré est corrosif et peut endommager les yeux ou la peau. Il peut être toxique s'il est avalé.

AVERTISSEMENT: Lisez tous les avertissements et instructions de sécurité. Le non-respect des avertissements et des instructions peut entraîner un choc électrique, un incendie et/ou des blessures graves.

- a) Empêchez le démarrage involontaire. Assurez-vous que l'interrupteur est en position d'arrêt avant de se connecter à la batterie, de ramasser ou de transporter l'appareil. Porter l'appareil avec votre doigt sur le déclencheur ou l'appareil sous tension qui a l'interrupteur allumé entraîne les accidents.
- b) Débranchez la batterie de l'appareil avant d'effectuer des ajustements, de changer d'accessoires ou de stocker l'appareil. Ces mesures de sécurité préventives réduisent le risque de démarrage accidentel de l'appareil.
- c) Rechargez uniquement avec le chargeur spécifié par le fabricant. Un chargeur adapté à un type de batterie peut créer un risque d'incendie lorsqu'il est utilisé avec une autre batterie.
- d) Utilisez uniquement des appareils avec des batteries spécifiquement désignées. L'utilisation de toute autre batterie peut créer un risque de blessure et d'incendie.
- e) Lorsque la batterie n'est pas utilisée, gardez-la à l'écart d'autres objets métalliques, tels que des trombones, des pièces de monnaie, des clés, des clous, des vis ou d'autres petits objets métalliques, qui peuvent établir une connexion d'un terminal à un autre. Le court-circuitage des bornes de la batterie ensemble peut provoquer des brûlures ou un incendie.
- f) Dans des conditions abusives, le liquide peut être éjecté de la batterie; éviter tout contact. En cas de contact accidentel, rincez à l'eau. Si le liquide contacte avec les yeux, consultez aussi un médecin. Le liquide éjecté de la batterie peut provoquer une irritation ou des brûlures. (Ce conseil est considéré comme correct pour les types de cellules NiMh, NiCd, plomb-acide et lithium-ion conventionnels. Si ce conseil est incorrect pour une conception de cellule qui diffère de ceux-ci, alors le bon conseil peut être substitué.)
- g) N'utilisez pas de batterie ou d'appareil endommagé ou modifié. Les batteries endommagées ou modifiées peuvent présenter un comportement imprévisible entraînant un incendie, une explosion ou un risque de blessure.
- h) N'exposez pas de batterie ou d'appareil au feu ou à une température excessive. L'exposition au feu ou à une température supérieure à 130°C peut provoquer une explosion. La température de 130°C peut être remplacée par la température de 265°F.

- i) Suivez toutes les instructions de charge et ne chargez pas la batterie ou l'appareil en dehors de la plage de température spécifiée dans les instructions. Une charge incorrecte ou à des températures en dehors de la plage spécifiée peut endommager la batterie et augmenter le risque d'incendie.
- j) Faites effectuer l'entretien par un réparateur qualifié en utilisant uniquement des pièces de rechange identiques. Cela garantira que la sécurité du produit est maintenue.
- k) Ne modifiez pas ou ne tentez pas de réparer l'appareil ou la batterie (le cas échéant) sauf indication contraire dans les instructions d'utilisation et d'entretien.

Entretien correct de la batterie

Stockage hors saison

Pour obtenir la plus longue durée de vie de la batterie possible, nous vous suggérons ce qui suit :

- Remove the battery pack from the charger once it is fully charged and ready for use.

For battery pack storage longer than 30 days:

- Store the battery pack where the temperature is below 80°F and away from moisture.
- Store battery packs in a fully charged condition.
- Every two months of storage, charge the pack as normal.
- Retirez la batterie du chargeur une fois qu'elle est complètement chargée et prête à l'utilisation.

Pour le stockage de la batterie de plus de 30 jours:

- Stockez la batterie à un endroit où la température est inférieure à 80°F et à l'écart de l'humidité.
- Stockez les batteries dans un état complètement chargé.

Tous les deux mois de stockage, chargez la batterie comme d'habitude.

Règles de sécurité du chargeur

- Chargez la batterie dans un endroit sec et protégé des intempéries. N'exposez pas la débroussailleuse ou le chargeur à la pluie. Ne chargez pas la batterie dans un endroit humide. Utilisez le chargeur de batterie à des températures de 45° à 104°F. Afin de réduire le risque de choc électrique, utilisez uniquement le chargeur fourni par le fabricant pour charger la batterie.
- N'ABUSEZ PAS DE LA CORDON DE CHARGE. Ne portez jamais le chargeur par le cordon. Ne débranchez pas le chargeur de la prise en tirant le cordon du chargeur.
- N'utilisez pas de chargeur endommagé. Remplacez immédiatement les cordons du chargeur ou le chargeur.
- Gardez la débroussailleuse et le chargeur à l'écart de l'eau, des sources de chaleur (radiateurs, appareils de chauffage, poêles, etc.), des flammes et des produits chimiques.
- Assurez-vous que la batterie est fixée dans le chargeur avant de commencer l'utilisation.
- La batterie deviendra légèrement chaude au toucher pendant la charge. C'est normal et n'indique pas de problème.
- Ne placez pas le chargeur et la batterie dans une zone de chaleur ou de froid extrême. Ils fonctionneront mieux à température ambiante normale.
- Lorsque les batteries sont complètement chargées, débranchez le chargeur de l'alimentation électrique et retirez la batterie.



AVERTISSEMENT: Lors du transport ou de l'entretien de l'unité, retirez toujours la batterie.



AVERTISSEMENT: Certaines poussières créées par le ponçage électrique, le sciage, le meulage, le forage et d'autres activités de construction contiennent des produits chimiques reconnus par l'État de Californie pour causer le cancer, des malformations congénitales ou d'autres dommages à la reproduction. Voici quelques exemples de ces produits chimiques:

- Plomb provenant de peintures à base de plomb,
- Silice cristalline provenant de briques, de ciment et d'autres produits de maçonnerie,

- Arsenic et chrome provenant du bois traité chimiquement.

Votre risque lié à ces expositions varie selon la fréquence à laquelle vous faites ce type de travail. Pour réduire votre exposition à ces produits chimiques: travaillez dans un endroit bien ventilé et travaillez avec des équipements de sécurité approuvés, tels que les masques anti-poussière spécialement conçus pour filtrer les particules microscopiques.

ENTRETIEN

- Tool service must be performed only by qualified repair personnel. Service or maintenance performed by unqualified personnel could result in a risk of injury.
- When servicing a tool, use only identical replacement parts. Follow instructions in the Maintenance section of this manual. Use of unauthorized parts or failure to follow Maintenance Instructions may create a risk of electric shock or injury.
- L'entretien des outils ne doit être effectué que par le personnel de réparation qualifié. L'entretien ou la maintenance effectuée par le personnel non qualifié pourrait entraîner un risque de blessure.
- Lors de l'entretien d'un outil, n'utilisez que des pièces de rechange identiques. Suivez les instructions de la section Maintenance de ce manuel. L'utilisation de pièces non autorisées ou le non-respect des instructions d'entretien peut créer un risque de choc électrique ou de blessure.

RÈGLES DE SÉCURITÉ SPÉCIFIQUES









- N'opérez la machine qu'à la lumière du jour ou à une bonne lumière artificielle.
- Lorsqu'il est utilisé comme coupe-bordure, des pierres, des pièces de métal et d'autres objets peuvent être jetés à grande vitesse par la ligne. L'outil et la protection sont conçus pour réduire le danger. Cependant, les précautions particulières suivantes doivent être prises: ASSUREZ-VOUS que les autres personnes et les animaux domestiques sont à au moins 100 pieds (30m) de distance.
- N'utilisez que la ligne de remplacement de 0.065po de diamètre du fabricant dans la tête de coupe. N'utilisez aucun autre accessoire de coupe, par exemple le fil métallique, le câble ou similaire. L'installation de toute autre marque de tête de coupe sur cette débroussailleuse peut entraîner des blessures corporelles graves.
- N'opérez jamais l'unité sans le déflecteur d'herbe en place et en bon état.
- Vérifier les pièces endommagées. Avant toute utilisation ultérieure de l'outil, un protecteur ou une autre pièce endommagée doit être soigneusement vérifiée pour déterminer qu'il fonctionnera correctement et remplira la fonction prévue. Vérifiez l'alignement des pièces mobiles, le grippage des pièces mobiles, le bris de pièces, le montage et toute autre condition pouvant affecter son fonctionnement. Un protecteur ou une autre pièce endommagée doit être correctement réparé ou remplacé par un centre de service agréé pour éviter tout risque de blessure corporelle.
- N'utilisez jamais de lames, de dispositifs à fléaux, de fil ou de corde. L'unité est conçue pour une utilisation de coupe-bordure uniquement. L'utilisation de tout autre accessoire ou pièces jointes augmentera le risque de blessure.
- Gardez les bouches d'aération propres et exemptes de débris pour éviter de surchauffer le moteur. Nettoyer après chaque utilisation.
- Arrêtez l'unité et débranchez la source d'alimentation lorsqu'elle n'est pas utilisée. Portez l'unité avec le moteur arrêté.
- N'utilisez pas la débroussailleuse avec n'importe quel type d'accessoire ou de pièces jointes. Une telle utilisation peut être dangereuse.
- Risque de coupure. Gardez les mains loin de la ligne. Gardez les deux mains sur les poignées lorsque l'appareil est sous tension.
- N'essayez pas d'enlever le matériau de coupe ou le matériau de maintien à couper lorsque les lignes se déplacent. Assurez-vous que l'interrupteur de démarrage est éteint lorsque vous nettoyez le

matériel coincé du protecteur. Ne saisissez pas le protecteur ou les lignes lorsque vous ramassez ou tenez la débroussailleuse.

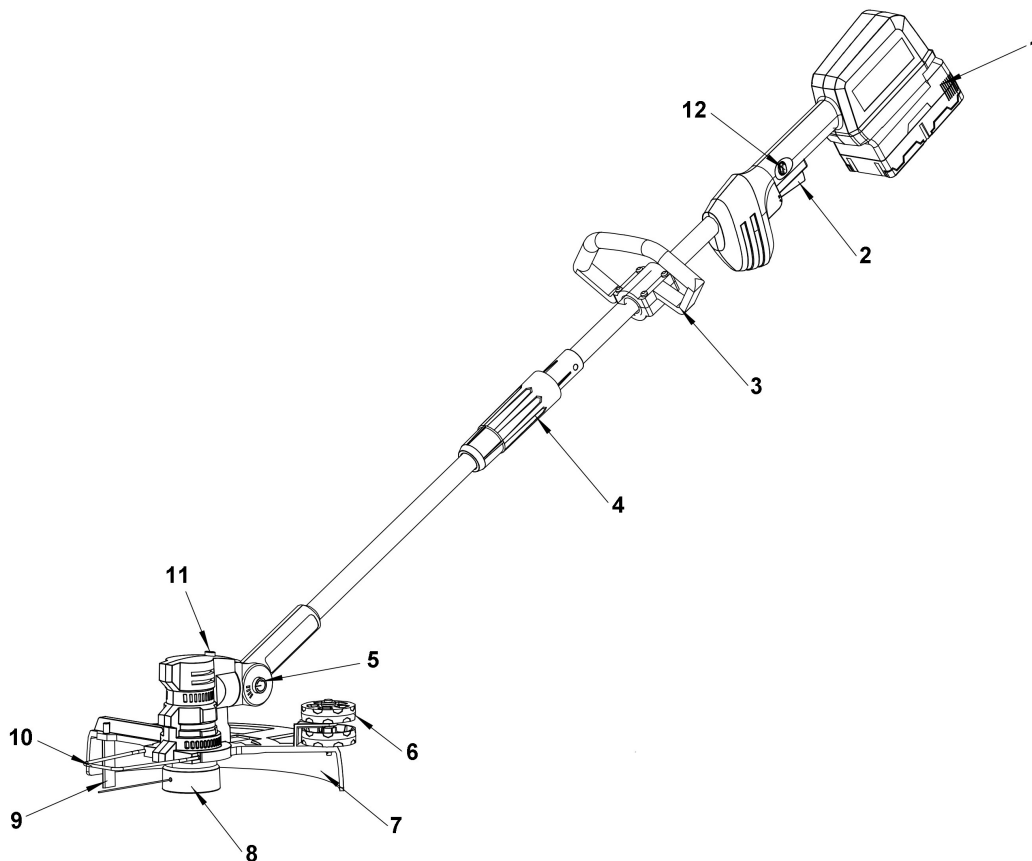
- Ne forcez pas la machine. Il fera mieux le travail et avec moins de risques de blessures à la vitesse pour lequel il a été conçu.
- Lorsqu'elle n'est pas utilisée, la machine doit être stockée à l'intérieur dans un endroit sec et haut ou verrouillé, hors de portée des enfants.

SYMBOLES

Certains des symboles suivants peuvent être utilisés sur ce produit. Veuillez les étudier et apprendre leur signification. Une interprétation correcte de ces symboles vous permettra d'utiliser le produit mieux et plus sûr.

-		
V	Volts	Voltage
A	Ampères	Courant
Hz	Hertz	Fréquence (cycles par seconde)
W	Watts	Puissance
MIN	Minutes	Temps
	Alerte de sécurité	Précautions qui impliquent votre sécurité.
	Lisez le manuel de l'utilisateur	Pour réduire le risque de blessure, l'utilisateur doit lire et comprendre le manuel de l'utilisateur avant d'utiliser ce produit.
	Protection des yeux	Portez une protection oculaire lorsque vous utilisez cet équipement.
	Protection auditive	Utilisez une protection auditive appropriée lorsque vous utilisez cet équipement.
	Déconnecter le pack batterie	Lors de l'entretien de la machine, retirez la batterie.
	Éloignez les spectateurs	Gardez tous les spectateurs à au moins 50 pieds de distance.
	Ricochet	Les objets jetés peuvent ricocher et entraîner des blessures corporelles ou des dommages à la propriété.
	Alerte de conditions humides	Ne pas exposer à la pluie ou utiliser dans les endroits humides.

CONNAÎTRE VOTRE DÉBROUSSAILLEUSE



- | | | | |
|---|--|----|--|
| 1 | Bloc-batterie | 7 | Protecteur de sécurité |
| 2 | Interrupteur de démarrage | 8 | Tête de débroussailleuse |
| 3 | Poignée auxiliaire | 9 | Lame |
| 4 | Verrou de connexion | 10 | Support de protection |
| 5 | Bouton de réglage de la tête pivotante | 11 | Bouton de réglage du coupe-bordure |
| 6 | Roue de guidage pour coupe-bordure | 12 | Bouton de déverrouillage de l'interrupteur |

INSTRUCTIONS D'ASSEMBLAGE

Déballage

Déballer la machine et toutes les pièces, et comparez-les avec la liste ci-dessous. Ne jetez pas le carton ou tout autre matériau d'emballage. Veuillez appeler le 1-800-791-9458 ou envoyez-nous E-mail à support@amerisuninc.com si toute pièce est endommagée ou manquante.

LISTE D'EMBALLAGE

Garde de sécurité * 1

Roue de guidage de bordure * 1

Batterie et chargeur * 1

Vis M5*14mm*1

Bobine * 2

Manuel d'utilisation * 1

Ensemble de poignée auxiliaire * 1 (poignée auxiliaire * 1, écrou de blocage M5 * 4, boulon M5 * 30 * 4, manchon d'amortissement * 1, bloc de verrouillage * 1)



AVERTISSEMENT:

N'utilisez pas ce produit si toute pièce dans la liste d'emballage est déjà assemblée à votre produit lorsque vous le déballez. Les pièces de cette liste ne sont pas assemblées au produit par le fabricant et nécessitent une installation par le client. L'utilisation du produit qui a été mal assemblé pourrait entraîner des blessures corporelles graves.



AVERTISSEMENT:

Si toutes pièces sont endommagées ou manquantes, n'utilisez pas ce produit jusqu'à ce que les pièces soient remplacées. L'utilisation de ce produit avec des pièces endommagées ou manquantes pourrait entraîner des blessures corporelles graves.



AVERTISSEMENT:

N'essayez pas de modifier ce produit ou de créer des accessoires non recommandés pour l'utilisation avec ce produit. Une telle altération ou modification de ce type est une mauvaise utilisation et pourrait entraîner une condition dangereuse pouvant entraîner des blessures corporelles graves.

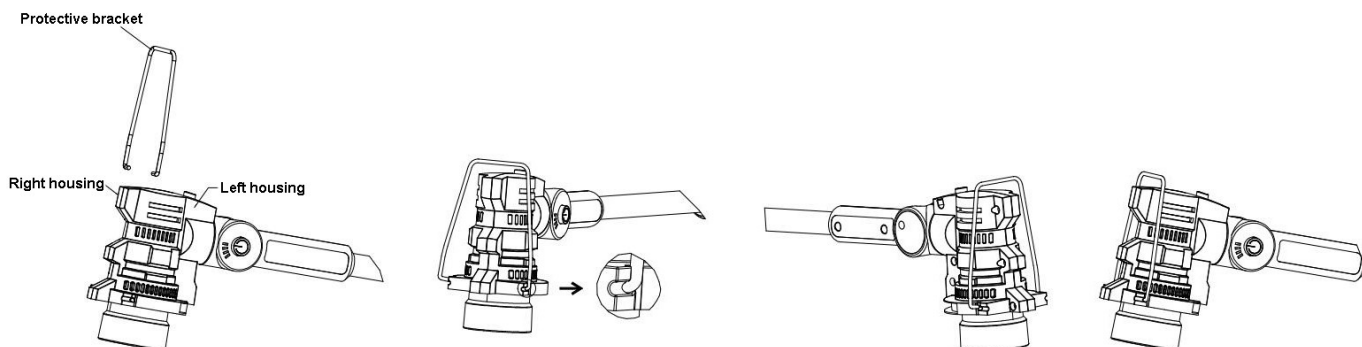


AVERTISSEMENT:

Ne branchez pas à l'alimentation électrique tant que l'assemblage n'est pas terminé. Le non-respect de ce conseil pourrait entraîner un démarrage accidentel et des blessures corporelles graves.

INSTALLATION DU SUPPORT DE PRODUCTION

1. Veuillez aligner une extrémité du support de protection avec le trou d'assemblage du boîtier gauche et l'installer.
2. Veuillez installer l'autre extrémité du support de protection dans le trou d'assemblage du boîtier droit.



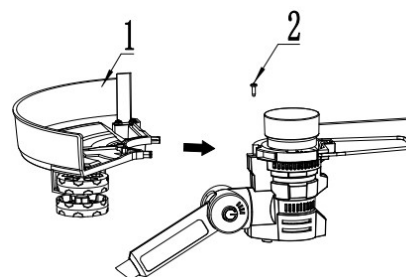
INSTALLATION DU PROTECTEUR DE SÉCURITÉ

Afin d'éviter les blessures, veuillez toujours à retirer le bloc-batterie avant d'installer le protecteur, de changer un fil de coupe ou de faire des réglages.

Si le protecteur est endommagé, ne pas utiliser le coupe-herbe/coupe-bordure tant qu'il n'a pas été remplacé.

REMARQUE : Veuillez installer le protecteur avant d'utiliser le coupe-herbe/coupe-bordure. Il ne peut pas être retiré ou désassemblé.

1. Veuillez retirer le bloc-batterie
2. Veuillez inverser le coupe-herbe/coupe-bordure afin d'accéder à la tête de débroussailleuse.
3. Veuillez insérer le protecteur dans la fente correspondante sur le boîtier dans le sens de la flèche. Veuillez le verrouiller à l'aide des vis.

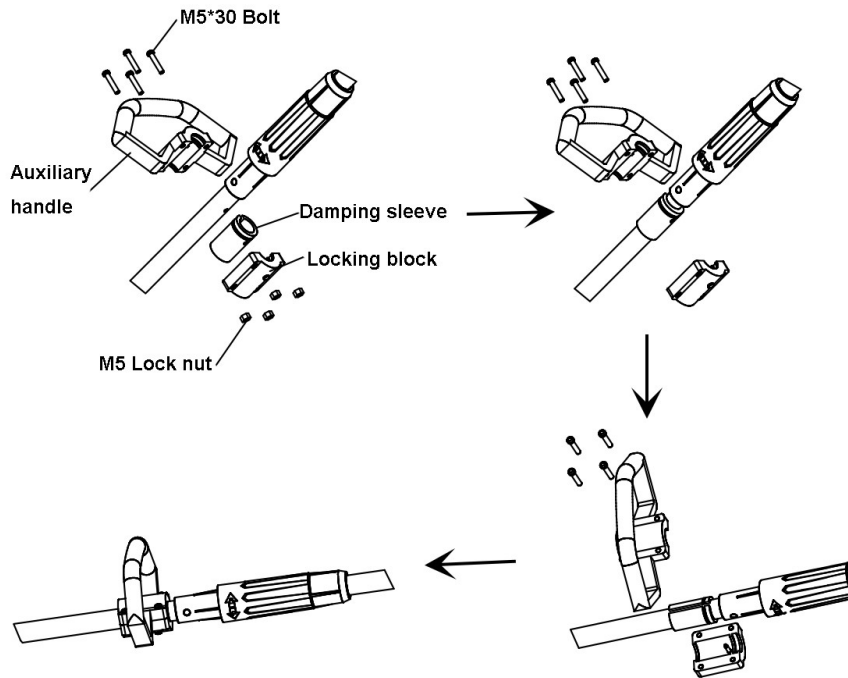


ASSEMBLAGE DE LA POIGNÉE AUXILIAIRE



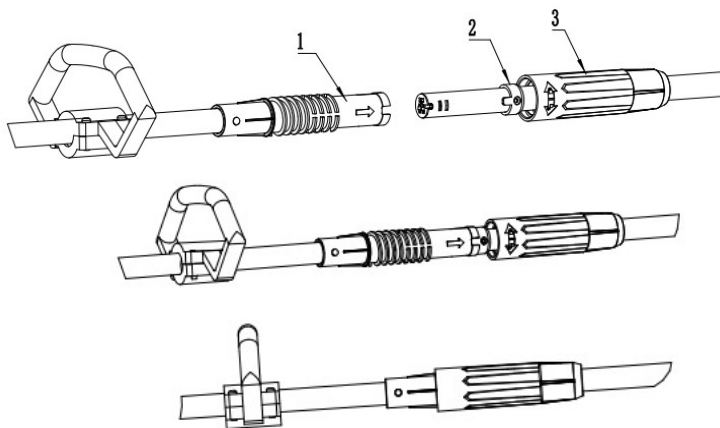
AVERTISSEMENT : Afin d'éviter les blessures, veuillez régler la poignée auxiliaire pour un contrôle et un équilibre optimaux. Ne pas tendre ce produit trop loin au cours de l'utilisation de la débroussailleuse /coupe-bordure. Veuillez garder un bon équilibre à tout moment pour un meilleur contrôle de l'outil dans des situations inattendues.

1. Veuillez installer l'écrou de blocage M5 dans le bloc de verrouillage.
2. Veuillez aligner le point convexe sur le bloc de verrouillage avec le trou dans le tuyau et l'installer.
3. Veuillez couvrir la poignée auxiliaire.
4. Veuillez la verrouiller à l'aide des boulons 4 pièces (M5 * 30).



CONNEXION DE L'ARBRE SUPÉRIEUR ET DE L'ARBRE TÉLESCOPIQUE

- Alignez la flèche sur la poignée supérieure (1) avec le point convexe (2) de l'arbre télescopique et insérez-la à l'extrémité.
- Tenez la poignée supérieure et serrez l'arbre télescopique.

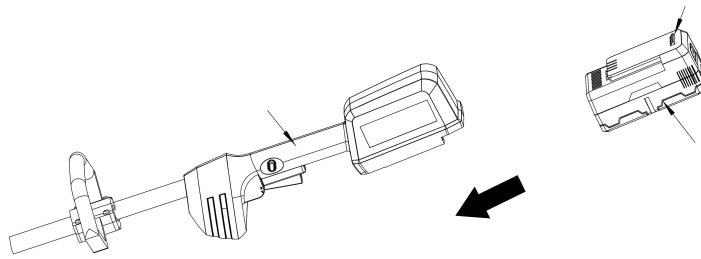


CONNEXION ET RETRAIT DE LA BATTERIE

IMPORTANT! La batterie n'est pas chargée lors de l'achat. Avant d'utiliser l'outil électrique pour la première fois, placez la batterie dans le chargeur de batterie et chargez-la. Assurez-vous de lire toutes les précautions de sécurité et suivez les instructions de la section de chargeur de batterie.

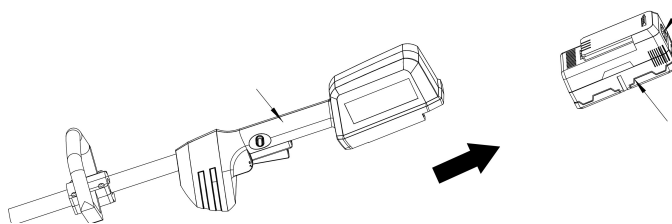
Pour installer le bloc-batterie

Pour installer la batterie dans le bas de la poignée, alignez les rails de la batterie avec les rails de la poignée et poussez la batterie dans la poignée. Pour connecter la batterie, faites glisser la batterie complètement vers l'avant. Jusqu'à ce que le loquet se verrouille en place.



Pour retirer le bloc-batterie

Appuyez sur le bouton de déverrouillage de la batterie, faites glisser la batterie vers l'arrière, puis retirez ou soulevez la batterie hors de l'outil.



WARNING:

Follow these instructions in order to avoid injury and to reduce the risk of electric shock or fire:

- Replace the battery pack or the charger immediately if the battery case or charger cord is damaged.
- Verify that the battery pack is removed before inspecting, adjusting, or performing maintenance on any part of the power tool.
- Read, understand, and follow the instructions.

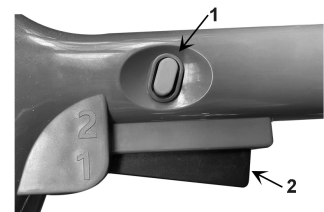
INSTRUCTIONS D'UTILISATION



AVERTISSEMENT: Lisez et comprenez parfaitement toutes les instructions et informations de sécurité avant d'utiliser cette machine. Le non-respect de ce conseil peut causer des blessures graves ou la mort. Ne permettez à personne d'utiliser cette machine qui n'a pas lu ce manuel. Une débroussailleuse peut être dangereuse si elle est mal assemblée ou utilisée. N'utilisez pas cette débroussailleuse si vous avez des doutes ou des questions concernant un fonctionnement sûr. Appelez notre service à la clientèle au 1-800-791-9458 pour répondre à ces problèmes.

DÉMARRAGE/ARRÊT DE LA MACHINE

- Installez la batterie. (Référez-vous à Installation de la batterie)
- Pour démarrer la machine, appuyez d'abord sur le bouton d'autoblocage (1), puis appuyez sur l'interrupteur de déclenchement (2).
- Il y a deux vitesses. Vitesse 1: appuyez sur l'interrupteur de déclenchement; Vitesse 2 : appuyez deux fois en continu sur l'interrupteur de déclenchement.
- Pour éteindre, relâchez l'interrupteur de déclenchement (2).



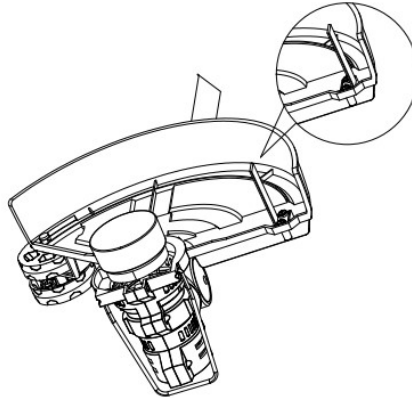


AVERTISSEMENT:

L'outil fonctionne pendant environ 3 secondes après avoir été éteint. Laissez le moteur s'arrêter complètement avant de déposer l'outil.

RÉGLAGE DE LA LAME DE COUPE

Veillez tourner la lame de coupe à 180 ° pour changer la largeur de coupe de 12 pouces à 13 pouces.

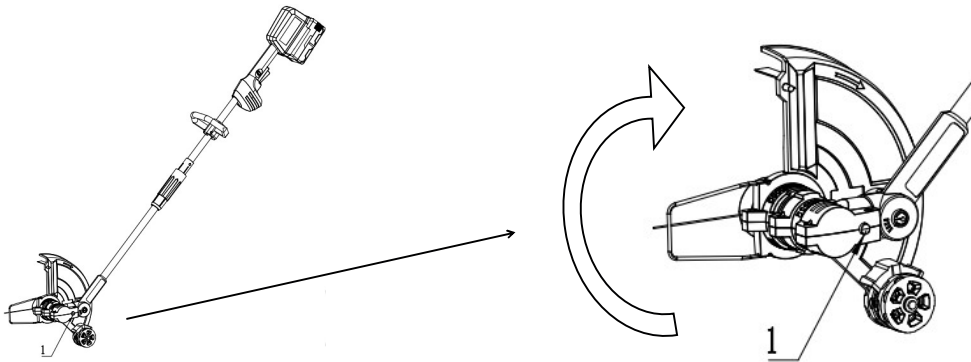


FONCTION DE COUPE-BORDURE

Cette fonction s'applique à l'utilisation à côté des patios, des allées et des trottoirs ou de toute zone nécessitant un fil de bord bien entretenu.

Veillez appuyer sur le bouton de bordure (1) et incliner la tête de débroussailleuse à 90 degrés. Jusqu'à ce que la tête se verrouille en position, veuillez relâcher le bouton.

IMPORTANT : Avant tout réglage, veuillez retirer la batterie.



FONCTIONNEMENT DE LA DÉBROUSSAILLEUSE

AVERTISSEMENT : Veuillez vous assurer que la zone de travail est exempte de roches, de débris, de lignes et d'autres objets étrangers.

1. Veuillez abaisser le protecteur pour empêcher le boîtier du moteur de s'approcher trop près d'un objet tel qu'un tronc d'arbre ou un mur et d'endommager la bobine de coupe.
2. Veuillez démarrer la débroussailleuse avant de vous approcher de l'herbe à couper.

3. Veuillez couper l'herbe en déplaçant la débroussailleuse de droite à gauche et continuer lentement en gardant la débroussailleuse inclinée vers l'avant à un angle d'environ 30°. La coupe légère est meilleure que la coupe lourde car elle permet à l'herbe coupée de tomber du boîtier du moteur.
4. L'herbe haute doit être coupée en couches. Veuillez à commencer toujours par le haut. Ne pas couper l'herbe humide ou mouillée. Ne pas surcharger votre débroussailleuse.
5. Veuillez faire attention aux rebonds en cas de choc avec des objets durs.
6. Après avoir fini la coupe, veuillez maintenir la tête près du niveau du sol, relâcher l'interrupteur et laisser le moteur s'arrêter complètement. Veuillez placer la débroussailleuse au sol et retirer le bloc-batterie de la débroussailleuse.

Remarque : Veuillez nettoyer régulièrement l'herbe entre la bobine et le bord du protecteur pour empêcher la vibration de l'outil.

ASSEMBLAGE ET REMPLACEMENT DE L'ENSEMBLE DE BOBINE DE FIL

Une bobine de fil de coupe monofilament est pré-installée sur le coupe-herbe. Si le fil de coupe doit être remplacé, veuillez insérer une nouvelle bobine.

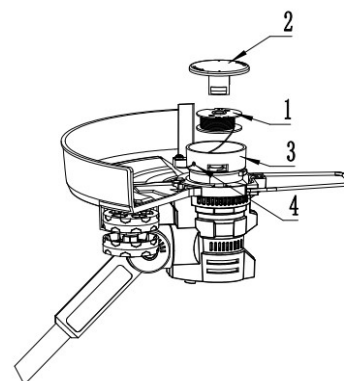
Veuillez retirer toujours la batterie avant d'installer le protecteur, de changer un fil de coupe ou de faire des réglages dans le but d'éviter les blessures.

Comment retirer la bobine :

1. Veuillez débrancher la débroussailleuse de l'alimentation électrique.
2. Veuillez tourner la débroussailleuse /coupe-bordure pour accéder à la bobine.
3. Veuillez retirer le couvercle de la bobine en appuyant sur les deux languettes parallèles entre elles situées sur le côté du couvercle (2).
4. Veuillez retirer la bobine (1) du boîtier de bobine (3).

Comment remplacer la bobine :

1. Veuillez remplacer la bobine (1) par une nouvelle bobine pré-enroulée.
2. Veuillez insérer l'extrémité du fil à travers l'ouverture (4) dans le boîtier de bobine (3).
3. Veuillez aligner les languettes du couvercle de la bobine avec les fentes du boîtier de bobine sur la tête de débroussailleuse.
4. Veuillez appuyer sur le couvercle de la bobine pour le verrouiller sur le boîtier de bobine.
5. Pour faire avancer le fil au cours de l'assemblage initial, veuillez tirer le fil tout en appuyant sur le bouton de libération du fil noir sur le côté du boîtier de bobine (3).



MAINTENANCE



AVERTISSEMENT: Afin d'éviter les blessures corporelles et les risques d'incendie et de choc électrique, retirez la batterie avant d'ajuster, d'inspecter ou de nettoyer la machine.



AVERTISSEMENT: Lors de l'entretien, n'utilisez que des pièces de rechange identiques. L'utilisation de toute autre pièce pourrait créer un danger ou endommager le produit.

NETTOYAGE

Retirez le bloc-batterie.

- Brosser ou souffler la poussière et les débris hors des bouches d'aération en utilisant l'air comprimé ou le vacuum. Gardez les bouches d'aération exemptes d'obstructions, de sciure de bois et de copeaux de bois. Ne pas vaporiser, laver ou immerger les bouches d'aération dans l'eau.
- Essuyez le boîtier et les composants en plastique en utilisant d'un chiffon doux et humide. N'utilisez pas de solvants ou de détergents puissants sur le boîtier en plastique ou les composants en plastique. Certains nettoyeurs ménagers peuvent causer des dommages et un risque de choc.

INSPECTION GÉNÉRALE

Vérifiez régulièrement que toutes les vis de fixation sont bien serrées. Au fil du temps, ils peuvent se desserrer.

STOCKAGE

- Stockez la machine à l'abri de la lumière directe du soleil.
- Ne stockez pas dans un sac en nylon car cela pourrait favoriser la formation de moisissures.
- Stockez-la dans un endroit bien ventilé et inaccessible aux enfants.
- Éloignez des agents corrosifs tels que les produits chimiques de jardin et les sels de déglacage.
- À la fin de saison, nettoyez globalement la machine et vérifiez en profondeur.

BLOC-BATTERIE

- Stockez la batterie complètement chargée.
- Une fois que le voyant de charge devient vert, retirez la batterie du chargeur et déconnectez le chargeur de la prise.
- Ne stockez pas la batterie sur l'outil.
- Après la charge, la batterie peut être stockée dans le chargeur, tant que le chargeur n'est pas branché.

MAINTENANCE DU CHARGEUR

- Gardez le chargeur propre et exempt de débris. Ne laissez pas de matières étrangères pénétrer dans la cavité encastrée ou sur les contacts. Essuyez le chargeur avec un chiffon sec. N'utilisez pas de solvants ou d'eau et ne placez pas le chargeur dans des conditions humides.
- Débranchez le chargeur lorsqu'il n'y a pas de batterie dedans.
- Chargez complètement les batteries avant de les stocker.
- Stockez le chargeur à une température ambiante normale. Ne le stockez pas dans une chaleur excessive. N'utilisez pas le chargeur en plein soleil. Rechargez à une température ambiante entre 45°F et 104°F. Si la batterie est chaude, laissez-la refroidir avant de la recharger.

TRAITEMENT DE LA BATTERIE ENVIRONNEMENTAL

Les batteries utilisées dans le bloc-batterie de cette débroussailleuse contiennent les matières toxiques et corrosives suivantes: LITHIUM-ION.



AVERTISSEMENT:

Les matières toxiques doivent être éliminées d'une manière spécifiée afin d'éviter la contamination de l'environnement. Avant de traiter les blocs-batteries au lithium-ion endommagés ou usés, contactez votre agence locale de traitement des déchets pour obtenir des informations et des instructions spécifiques. Apportez les batteries dans un centre de recyclage et/ou de traitement local certifié pour le traitement.

Si la batterie se fissure ou se casse, qu'elle fuie ou non, ne la rechargez pas et ne l'utilisez pas. Jetez-la et remplacez-la par une nouvelle batterie. **N'ESSAYEZ PAS DE LE RÉPARER!**

Suivez ces instructions afin d'éviter les blessures et les risques d'incendie, d'explosion ou de choc électrique, et d'éviter les dommages à l'environnement:

- Couvrez les bornes de la batterie avec du ruban adhésif résistant.
- N'essayez pas de retirer ou de détruire tous composants de la batterie.
- N'essayez pas d'ouvrir la batterie.
- Si une fuite se développe, les électrolytes libérés sont corrosifs et toxiques. Ne laissez pas la solution dans les yeux ou sur la peau, et ne l'avalez pas.
- Ne placez pas les batteries dans les ordures ménagères ordinaires.
- NE PAS incinérer les batteries.
- NE PAS placer les batteries là où elles feront partie d'une décharge de déchets ou d'un flux de déchets solides municipaux.
- Traitez les batteries dans un centre de recyclage ou de traitement certifié.

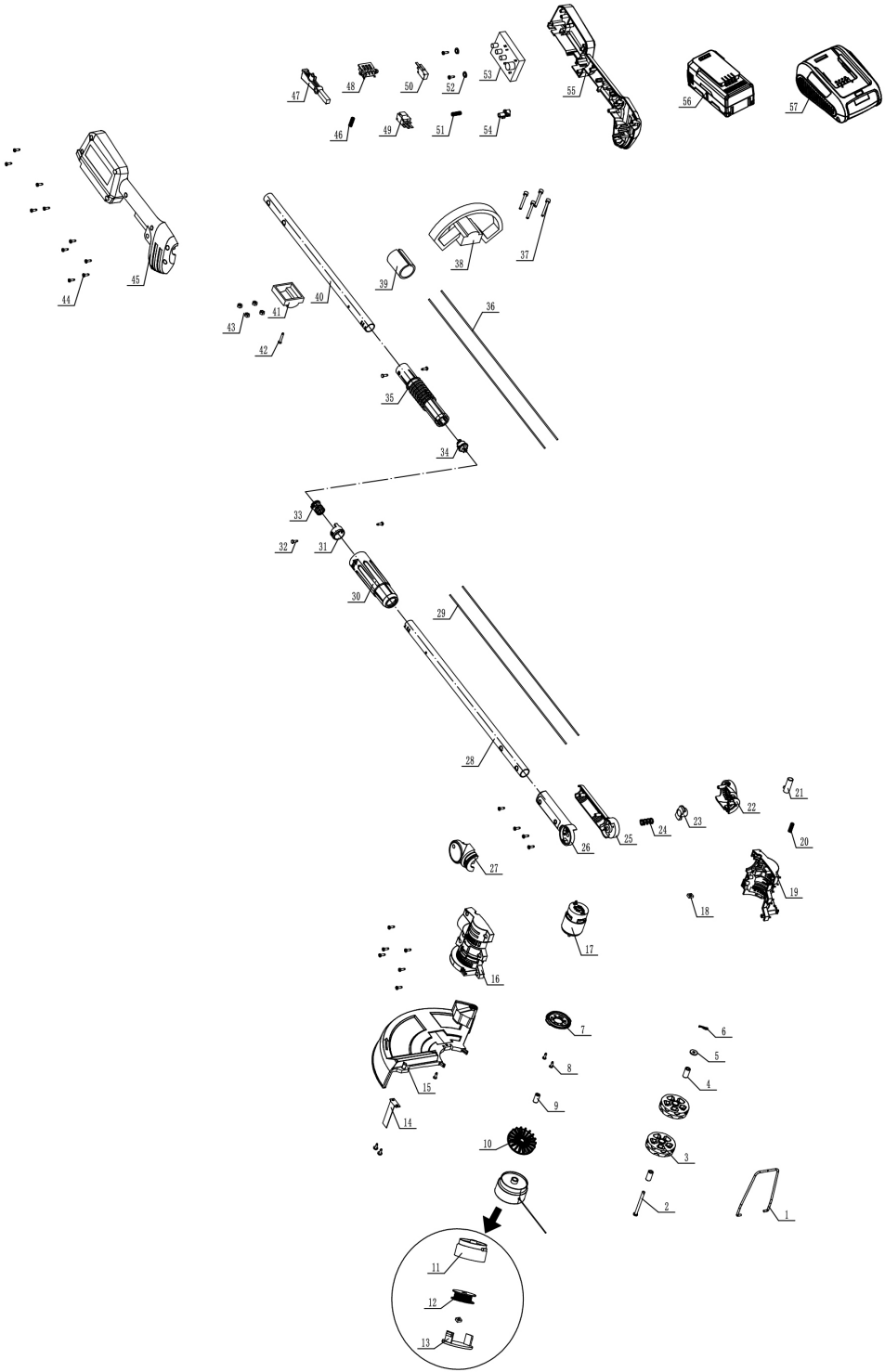
DÉPANNAGE

AVERTISSEMENT : Veuillez lire d'abord le manuel d'instructions ! Veuillez retirer la batterie avant de faire des réglages ou d'assembler des accessoires.

Le tableau suivant répertorie les problèmes communs et les solutions. Veuillez lire attentivement le tableau et le suivre.

Problème	Causes possibles	Solution
Le moteur ne démarre pas quand le trigger est enfoncé.	La batterie n'est pas sécurisée. La batterie n'est pas chargée.	Afin de fixer le bloc-batterie, assurez-vous que les loquets sur le dessus du bloc-batterie s'enclenchent en position. Veuillez charger le bloc-batterie conformément aux instructions fournies avec votre modèle.
Le fil n'est pas fourni.	Veuillez vérifier la bobine. Veuillez remplacer la bobine.	1. Veuillez vérifier que le fil n'est pas emmêlé ou coincé dans la bobine. 2. Veuillez retirer le fil et replacer la bobine de fil et vous assurer que le mécanisme est propre.
Le moteur tourne, mais les lames de coupe ne bougent pas.	La débroussailleuse est endommagée. Le coupe-bordure n'est pas utilisé	Veuillez appeler le service technique.
Mauvaise performance de coupe	Veuillez vérifier le fil de coupe	1. Veuillez vérifier que le fil de coupe est complètement étendu. Si non: 2. Veuillez étendre manuellement le fil ou arrêter et démarrer la débroussailleuse jusqu'à ce que le fil ait été étendu au coupe-fil. 3. Veuillez faire des coupes plus petites. Il s'agit d'une débroussailleuse légère. 4. Assurez-vous que le fil est complètement étendu.

VUE ÉCLATÉE



No.	Stock#	Description	Qté
1	303160914	Support de protection de la débroussailleuse	1
2	303160915	Broche T	1
3	203050710	Roue de marche	2
4	303160235	Manchon de fixation du trigger 2	2
5	303042095	Rondelle plate	1
6	303123041	Boulon	1
7	203050711	Support de moteur	1
8	303020659	Boulon	3
9	303160916	Manchon de connexion du moteur	1
10	203050966	Turbine	1
11	203050712	Siège fixe de la tête de débroussailleuse	1
12	303160917	Ensemble de bobine	1
13	203050713	Couvre-tête de débroussailleuse	1
14	303240688	Lame	1
15	203050714	Protecteur	1
16	203070153	Boîtier droit	1
17	301030095	Moteur	1
18	303030147	Écrous carrés M5	2
19	203070154	Boîtier gauche	1
20	303130370	Ressort 2	1
21	203050715	Bouton rotatif 1	1
22	203070155	Joint rotatif gauche	1
23	203050716	Bouton de rotation 2	1
24	303130371	Ressort 1	1
25	203070156	Connecteur gauche	1
26	203070157	Connecteur droit	1
27	203070158	Joint rotatif droit	1
28	303181348	Tube supérieur	1
29	301100066	Conducteur de tube supérieur	2

No.	Stock#	Description	Qté
30	203050717	Manchon	1
31	203050718	Manchon limite	1
32	306110041	Rivet	4
33	203050719	Porte-boucle femelle	1
34	203050720	Porte-boucle mâle	1
35	203050721	Connecteur	1
36	301100067	Conducteur de tube inférieur	2
37	303020658	Boulon M5×30	4
38	203050706	Poignée auxiliaire	1
39	302080080	Manchon d'amortissement	1
40	303181347	Tube inférieur	1
41	203050707	Bloc de verrouillage	1
42	303010028	Vis	1
43	303030030	Écrou de blocage M5	4
44	303010298	Vis	25
45	203070159	Boîtier droit	1
46	303130372	Ressort 3	1
47	203050722	Trigger	1
48	203021266	Support d'insertion de chargeur	1
49	301100064	Interrupteur à double liaison	1
50	303240605	Micro-interrupteur	1
51	203021462	Ressort autobloquant	2
52	303043050	Rondelle plate	2
53	303240687	Contrôleur de brosse	1
54	203021462	Bouton autobloquant	1
55	203070160	Boîtier gauche	1
56	202460015	Batterie	1
57	202470011	Ensemble de chargeur DB2202A	1

GARANTIE LIMITÉE DE DEUX(2) ANS

Nous vous félicitons d'avoir acheté un article de qualité supérieure-PowerSmart. Nos produits sont conçus et fabriqués pour correspondre à toutes les normes de sécurité de l'industrie.

GARANTIE LIMITÉE DES MACHINES POWER SMART DE DEUX(2) ANS.

PowerSmart(“vendeur”) garantit seulement à l'acheteur original, tous les produits de PowerSmart seront gratuits à défauts de matériaux ou de technologies pour une durée de deux(2) ans à compter de la date d'achat. Quatre-vingt-dix(90) jours si la machine est équipée professionnellement ou commercialement.

LE SEULE OBLIGATION DE VENDEUR ET VOTRE SEUL RECOURS en garantie limitées de deux ans, et la mesure prise en vertu de la loi, la garantie ou la condition en vertu de la loi, doit être la pièce ou le remplacement de pièces, sans frais, qui sont défectueux dans le matériel ou l'exécution du travail et qui n'ont pas été usurpée, négligemment géré par des autres que le vendeur ou autorisé service center. Pour faire une demande de la présente garantie limitée, vous devez retourner le produit électrique: frais du transport payé au préalable, inclure une copie lisible du reçu original à PowerSmart, qui comprend la date d'achat (mois et année) et le nom de l'entreprise d'achat.

CETTE GARANTIE NE S'APPLIQUE PAS AUX ACCESSOIRES AVEC L'OUTIL, COMME DES LAMES DE SCIES CIRCULAIRES AUTRES POINTS CONNEXES OU TOUT REMPLACEMENT DE PIÈCES ÉNUMÉRÉES À L'ENTRETIEN.

TOUTE GARANTIE IMPLICITE DOIT ÊTRE LIMITÉE À UNE DURÉE DE DEUX (2) ANS À COMPTER DE LA DATE D'ACHAT. CERTAINS ÉTATS AMÉRICAINS ET PROVINCES CANADIENNES NE PERMETTENT DE LIMITER L'IMPLIED WARRANTY DURE LONGTEMPS, SI LA LIMITATION NE PAS S'APPLIQUENT À VOUS.

EN AUCUN CAS, LES VENDEURS NE SONT PAS RESPONSABLES DES ACCIDENTS PAR HASARD OU DIRECT (Y COMPRIS, MAIS PAS UNIQUEMENT LA RESPONSABILITÉ POUR PERTE DE BÉNÉFICES) DÉCOULANT DE LA VENTE OU DE L'UTILISATION DE CE PRODUIT. CERTAINS ÉTATS AMÉRICAINS ET PROVINCES CANADIENNES NE PERMETTENT PAS L'EXCLUSION OU LIMITATION DES ACCIDENTS PAR HASARD OU DIRECT, DONC CETTE LIMITATION OU L'EXCLUSION NE PAS S'APPLIQUENT À VOUS.

CETTE GARANTIE LIMITÉE VOUS DONNE DES DROITS LÉGITIME, ET VOUS POUVEZ AUSSI AVOIR D'AUTRES DROITS QUI PEUVENT DÉPENDRE D'ÉTAT DANS LES ÉTATS-UNIS, PROVINCE DU CANADA ET DU PAYS.

Toutes les questions / les commentaires, la assistance technique ou la maintenance, sans frais: 800-791-9458 (lun-ven 9am-5pm CST)

E-mail: support@amerisuninc.com.

IL FAUT BIEN GARDER VOS REÇUS, SINON CETTE GARANTIE EST NULLE.

CONTENIDO

Datos técnicos.....	44
Introducción.....	45
Información de seguridad	45
Normas generales de seguridad	46
Normas de seguridad específicas para la recortadora de hilo	51
Símbolos	52
Conociendo su recortadora de hilo	53
Instrucciones de montaje	54
Instrucciones de uso	57
Mantenimiento	60
Eliminación de las pilas de forma segura para el medio ambiente	61
Solución de problemas	62
Despiece y lista de piezas	63
Declaración de garantía	65

DATOS TÉCNICOS

Cortadora de hilo sin cable de 40V	Modelo # DB2603
Diámetro de corte:	13"
Diámetro del hilo de corte:	0.065"
Tipo de batería:	40V de iones de litio, 4.0Ah
Velocidad en vacío:	velocidad 1: 6600RPM velocidad 2: 8500RPM
Battery model: Modelo de batería:	DB2102
Charging time:Tiempo de carga:	2.5 horas
Charger model:Modelo de cargador:	DB2202A
Dimensiones del paquete (largo x ancho x alto):	33.07 x 7.30 x 7.90 pulgadas
Peso:	13.1 lb.

INTRODUCCIÓN

Gracias por Adquirir un Producto de PowerSmart®. Este manual proporciona información sobre el funcionamiento y el mantenimiento seguros de este producto. Se ha hecho todo lo posible para garantizar la exactitud de la información de este manual. PowerSmart® se reserva el derecho de cambiar este producto y sus especificaciones en cualquier momento sin previo aviso.

Mantenga este manual a disposición de todos los usuarios durante toda la vida útil de la máquina.



Este manual contiene mensajes especiales para llamar la atención sobre posibles problemas de seguridad, daños en la cortadora de hilo, así como información útil sobre el funcionamiento y el mantenimiento. Por favor, lea toda la información cuidadosamente para evitar lesiones y daños a la máquina.

¿PREGUNTAS? ¿PROBLEMAS?

Por favor, póngase en contacto con nuestro Departamento de Atención al Cliente si tiene alguna pregunta o comentario, ya sea por correo electrónico: support@amerisuninc.com, o llamando al Número Gratuito (800)791-9458. Estamos disponibles de lunes a viernes de 9am a 5pm, hora del este de EE.UU., para ayudar a resolver cualquier problema que pueda encontrar.

INFORMACIÓN DE SEGURIDAD

Antes de utilizar esta máquina, lea y observe todas las advertencias, precauciones e instrucciones de este Manual del Propietario.

NOTA: La siguiente información de seguridad no pretende cubrir todas las posibles condiciones y situaciones que pueden ocurrir. Lea todo el Manual del Propietario para conocer las instrucciones de seguridad y funcionamiento. El incumplimiento de las instrucciones y de la información de seguridad puede provocar lesiones graves o la muerte.

Este símbolo de alerta de seguridad se utiliza para identificar la información de seguridad sobre los peligros que pueden provocar lesiones personales.



Junto con el símbolo de alerta se utiliza una palabra de señalización (PELIGRO, ADVERTENCIA o PRECAUCIÓN) para indicar la probabilidad y la gravedad potencial de las lesiones. Además, se puede utilizar un símbolo de peligro para representar el tipo de peligro.

PELIGRO Indica un peligro que, si no se evita, puede provocar la muerte o lesiones graves.

ADVERTENCIA Indica un peligro que, si no se evita, puede provocar la muerte o lesiones graves.

PRECAUCIÓN Indica un peligro que, si no se evita, puede provocar lesiones leves o moderadas.

PRECAUCIÓN Sin el símbolo de alerta, indica una situación que podría provocar daños.

NORMAS GENERALES DE SEGURIDAD

La seguridad es una combinación de sentido común, mantenerse alerta y saber cómo funciona la desbrozadora.

GUARDE ESTAS INSTRUCCIONES DE SEGURIDAD.



ADVERTENCIA: No utilice esta unidad hasta que haya leído este manual de instrucciones de seguridad, funcionamiento y mantenimiento. El incumplimiento de todas las instrucciones indicadas a continuación puede provocar una descarga eléctrica, un incendio y/o lesiones personales graves.

SEGURIDAD EN EL ÁREA DE TRABAJO

- No utilice la máquina en lugares lluviosos, húmedos o mojados. No la utilice en atmósferas gaseosas o explosivas. Los motores de estas herramientas suelen echar chispas, y las chispas podrían encender los humos.
- Compruebe el área de trabajo antes de cada uso. Retire todos los objetos como piedras, vidrios rotos, clavos, alambres o líneas que puedan ser lanzados o enredarse en la máquina.
- Mantenga alejados a los transeúntes. Todos los visitantes y las mascotas deben mantenerse a una distancia segura del área de trabajo.

SEGURIDAD PERSONAL

- Todos los visitantes, niños y mascotas deben permanecer a una distancia segura de la zona de trabajo.
- Mantenga alerta. Vigile lo que hace. Utilice el sentido común. No maneje la desbrozadora cuando esté cansado o bajo la influencia de drogas, alcohol o medicamentos.
- Utilice el aparato correcto. No utilice un aparato para ningún trabajo que no sea para el que está destinado.
- No lleve ropa suelta ni joyas. Lleve una cubierta protectora para contener el pelo largo. Pueden quedar atrapados en las partes móviles. Se recomienda el uso de guantes de goma y calzado resistente cuando se trabaje al aire libre.
- Utilice gafas de seguridad con protecciones laterales o gafas que cumplen con la norma ANSI Z87.1 cuando utilice este producto. Utilice una máscara facial o antipolvo si el entorno es polvoriento.
- No utilice el equipo estando descalzo o con sandalias o calzado ligero similar. Utilice un calzado de protección que proteja sus pies y mejore su pisada en superficies resbaladizas.
- Mantenga todas las partes de su cuerpo alejadas de cualquier parte móvil.
- No se exceda. Mantenga su pie firme y el equilibrio. Excederse puede provocar la pérdida de equilibrio.
- Evite el Arranque Accidental. No lleve el aparato enchufado con el dedo en el gatillo. Asegúrese de que el gatillo del interruptor no está activado antes de enchufar el aparato.
- No utilice la herramienta si el gatillo del interruptor no la enciende o apaga. Cualquier herramienta que no pueda ser controlada con el gatillo del interruptor es peligrosa y debe ser reparada.
- Desconecte el aparato. Desenchufe la cortadora de la red eléctrica antes de guardarla, realizar el mantenimiento, cambiar accesorios como el hilo de corte y cuando no la utilice. Estas medidas de seguridad preventivas reducen el riesgo del arranque accidental.
- El circuito o la toma de corriente que se vaya a utilizar para la cortadora de hilo debe contar con protección Interruptor de Circuito de Fallo a Tierra (GFCI en inglés). Hay tomas de corriente disponibles con protección GFCI integrada que pueden utilizarse.

- Utilice gafas de seguridad. Utilice también calzado de seguridad, ropa ajustada, guantes de protección, protección auditiva y de la cabeza.



ADVERTENCIA: Algunos de los polvos creados por este producto contienen sustancias químicas conocidas por el Estado de California como causantes de cáncer, defectos de nacimiento u otros daños reproductivos. Algunos ejemplos de estas sustancias químicas son:

- compuestos en fertilizantes
- compuestos en insecticidas, herbicidas y pesticidas
- arsénico y cromo de la madera tratada químicamente

Su riesgo de exposición a estos productos químicos varía en función de la frecuencia con la que realice este tipo de trabajo. Para reducir su exposición a estos productos químicos, utilice equipos de seguridad aprobados, como máscaras antipolvo especialmente diseñadas para filtrar las partículas microscópicas.

USO Y CUIDADO DE LAS HERRAMIENTAS ELÉCTRICAS

- Conozca esta herramienta. Lea atentamente el manual, conozca sus aplicaciones y limitaciones, así como los peligros potenciales específicos relacionados con esta herramienta.
- Compruebe que las piezas móviles no estén desalineadas o atascadas, que no haya piezas rotas o cualquier otra condición que pueda afectar al funcionamiento de la herramienta eléctrica. Si está dañada, lleve la herramienta eléctrica al servicio técnico antes de utilizarla. Muchos accidentes son causados por herramientas mal mantenidas.
- No fuerce la herramienta eléctrica. Utilice la herramienta eléctrica correcta para su aplicación. La herramienta eléctrica correcta hará el trabajo mejor y más seguro al ritmo para el que está diseñada.
- Mantenga las herramientas con cuidado. Mantenga la herramienta limpia. Una herramienta correctamente mantenida, reduce el riesgo de atascamiento y es más fácil de controlar.
- Guarde las herramientas eléctricas inactivas fuera del alcance de los niños y de otras personas no capacitadas. Las herramientas eléctricas son peligrosas en manos de usuarios no formados.
- Compruebe el funcionamiento de la herramienta antes de utilizarla. No utilice la herramienta si el mecanismo de contacto con la pieza de trabajo no funciona correctamente, ya que puede producirse el accionamiento accidental de un elemento de fijación.
- No utilice la herramienta eléctrica si el interruptor no la enciende o apaga. Cualquier herramienta eléctrica que no pueda ser controlada con el interruptor es peligrosa y debe ser reparada.
- Mantenga la herramienta y su mango secos, limpios y libres de aceite y grasa. Utilice siempre un paño limpio para la limpieza. No utilice nunca líquidos de frenos, gasolina, productos a base de petróleo o cualquier disolvente fuerte para limpiar su herramienta.
- No utilice la herramienta si no tiene una etiqueta de advertencia legible.
- Utilice la herramienta eléctrica, los accesorios y las brocas, etc., de acuerdo con estas instrucciones, teniendo en cuenta las condiciones de trabajo y el trabajo a realizar. El uso de la herramienta eléctrica para operaciones diferentes a las previstas podría dar lugar a una situación peligrosa.
- Guarde estas instrucciones. Consúltelas con frecuencia y utilícelas para instruir a otras personas que puedan utilizar esta herramienta. Si presta esta herramienta a otra persona, preséntele también estas instrucciones.
- Evite un Entorno Peligroso: no utilice los aparatos en lugares húmedos o mojados.
- No Utilice Con Lluvia.
- Mantenga a los Niños Alejados - Todos los visitantes deben mantenerse alejados del área de trabajo.
- Vístase Adecuadamente - No lleve ropa suelta ni joyas. Pueden quedar atrapadas en las partes móviles. Se recomienda el uso de guantes de goma y calzado resistente cuando se trabaje al aire libre. Lleve una cubierta protectora para contener el pelo largo.

- Utilice Gafas de Seguridad - Utilice siempre una máscara facial o antipolvo si la operación es polvorienta.
- Utilice el Aparato Correcto - No utilice el aparato para ningún trabajo que no sea para el que está destinado.
- Evite el Arranque Involuntario - No lleve el aparato enchufado con el dedo en el interruptor. Asegúrese de que el interruptor esté apagado cuando lo enchufe.
- No Fuerce el Aparato - Hará el trabajo mejor y con menos probabilidad de riesgo de lesión al ritmo para el que fue diseñado.
- No Se Exceda - Mantenga el equilibrio y la posición correcta en todo momento.
- Manténgase alerta - Vigile lo que hace. Utilice el sentido común. No maneje el aparato cuando esté cansado.
- Guarde los Aparatos Inactivos en el Interior - Cuando no se utilicen, los aparatos deben guardarse en el interior, en un lugar seco y alto o bajo llave, fuera del alcance de los niños.
- Mantenga el Aparato con Cuidado - Mantenga el filo de corte afilado y limpio para un mejor rendimiento y para reducir el riesgo de lesiones. Siga las instrucciones para lubricar y cambiar los accesorios. Inspeccione periódicamente el cable del aparato y, si está dañado, hágalo reparar por un servicio técnico autorizado. Inspeccione periódicamente los cables alargadores y sustitúyalos si están dañados. Mantenga los mangos secos, limpios y libres de aceite y grasa.
- Compruebe las Piezas Dañadas - Antes de seguir utilizando el aparato, se debe comprobar cuidadosamente una protección u otra pieza que esté dañada para determinar que funcionará correctamente y realizará su función prevista. Compruebe la alineación de las piezas móviles, el atasco de las piezas móviles, la rotura de las piezas, el montaje y cualquier otra condición que pueda afectar a su funcionamiento. Una protección u otra parte que esté dañada debe ser reparada o reemplazada adecuadamente por un centro de servicio autorizado, a menos que se indique en otra parte de este manual.
- Para CORTADORAS DE BORDES
 - Mantener las protecciones en su sitio y en funcionamiento.
 - Mantener las hojas afiladas.

USO Y CUIDADO DE LA HERRAMIENTA A BATERÍA



ADVERTENCIA: UTILICE SÓLO BATERÍAS DE REPUESTO APROBADAS POR POWERSMART, OTRAS BATERÍAS PUEDEN CAUSAR LESIONES O DAÑOS AL CORTACÉSPED. Utilizar con la batería POWERSMART 40V.

Normas de seguridad de batería

- Las herramientas a batería no tienen que estar conectadas a una toma de corriente, por lo que siempre están en condiciones de funcionamiento. Sea consciente de los posibles peligros cuando no utilice su herramienta a batería o cuando cambie los accesorios. El cumplimiento de esta norma reducirá el riesgo de descarga eléctrica, incendio o lesiones personales graves.
- No coloque las herramientas a batería o sus baterías cerca del fuego o del calor. Esto reducirá el riesgo de explosión y de lesiones.
- No aplaste, deje caer o dañe la batería. No utilice una batería o un cargador que se haya caído o haya recibido un golpe fuerte. Una batería dañada puede explotar. Deseche inmediatamente una batería que se haya caído o dañado.
- Las baterías pueden explotar en presencia de una fuente de ignición, como una luz piloto. Para reducir el riesgo de lesiones personales graves, no utilice nunca ningún producto inalámbrico en presencia de una llama abierta. Una batería que ha explotado puede propulsar residuos y productos químicos. Si está expuesta, lávela inmediatamente con agua. No cargue la herramienta a batería en un lugar húmedo o mojado. Seguir esta regla reducirá el riesgo de descarga eléctrica.

- Para obtener los mejores resultados, su herramienta a batería debe cargarse en un lugar donde la temperatura sea superior a 45°F pero inferior a 104°F. Para reducir el riesgo de lesiones personales graves, no la almacene en el exterior ni en vehículos.
- En condiciones de uso o temperatura extremas, pueden producirse fugas de la batería. Si el líquido entra en contacto con su piel, lávese inmediatamente con agua y jabón. Si el líquido entra en contacto con los ojos, lávelos con agua limpia durante al menos 10 minutos y luego busque atención médica inmediata. El cumplimiento de esta norma reducirá el riesgo de lesiones personales graves.
- Cuando el paquete de baterías no esté en uso, manténgalo alejado de otros objetos metálicos como: clips, monedas, llaves, clavos, tornillos u otros objetos metálicos pequeños que puedan hacer una conexión de un terminal a otro. Un cortocircuito entre los terminales de la batería puede provocar chispas, quemaduras o un incendio.
- Retire siempre el paquete de baterías de su herramienta cuando esté montando piezas, haciendo ajustes, limpiando o cuando no esté en uso. La extracción del paquete de baterías evitará un arranque accidental que podría causar graves lesiones personales.
- Retire siempre el paquete de baterías antes de guardar el dispositivo. Cuando la batería esté completamente cargada, desenchufe el cargador de la red eléctrica y retire el paquete de baterías del cargador.
- Utilice siempre protección ocular con protectores laterales que cumplen con la norma ANSI Z87.1, junto con protección auditiva. Si no lo hace, podría recibir objetos en los ojos y sufrir otras posibles lesiones graves.
- Mantenga la batería seca, limpia y libre de aceite y grasa. Utilice siempre un paño limpio para la limpieza. No utilice nunca líquido de frenos, gasolina, productos derivados del petróleo o cualquier otro disolvente para limpiar la batería.
- No abra ni mutile la batería. El electrolito liberado es corrosivo y puede causar daños en los ojos o en la piel. Puede ser tóxico si se ingiere.

ADVERTENCIA: Lea todas las advertencias e instrucciones de seguridad. El incumplimiento de las advertencias e instrucciones puede provocar una descarga eléctrica, un incendio y/o lesiones graves.

- a) Evite el arranque involuntario. Asegúrese de que el interruptor está en la posición de apagado antes de conectar la batería, coger o transportar el aparato. Transportar el aparato con el dedo en el interruptor o dar energía al aparato que tiene el interruptor encendido invita a los accidentes.
- b) Desconecte el paquete de baterías del aparato antes de realizar cualquier ajuste, cambiar accesorios o almacenar el aparato. Estas medidas de seguridad preventivas reducen el riesgo del arranque accidental.
- c) Recargue sólo con el cargador especificado por el fabricante. Un cargador que es adecuado para un tipo de batería puede crear un riesgo de incendio cuando se utiliza con otro tipo de batería.
- d) Utilice los aparatos sólo con los paquetes de baterías específicamente designados. El uso de cualquier otro paquete de baterías puede crear un riesgo de lesiones e incendios.
- e) Cuando el paquete de baterías no esté en uso, manténgalo alejado de otros objetos metálicos, como clips, monedas, llaves, clavos, tornillos u otros objetos metálicos pequeños, que puedan hacer una conexión de un terminal a otro. Un cortocircuito entre los terminales de la batería puede provocar quemaduras o un incendio.
- f) En condiciones abusivas, puede salir líquido de la batería; evite el contacto. Si se produce un contacto accidental, lávese con agua. Si el líquido entra en contacto con los ojos, busque además ayuda médica. El líquido expulsado de la batería puede causar irritación o quemaduras. (Este consejo se considera correcto para los tipos de celdas convencionales de NiMh, NiCd, plomo-ácido e iones de litio. Si este consejo es incorrecto para un diseño de celda que difiere de estos, entonces el consejo correcto puede ser sustituido).
- g) No utilice un paquete de baterías o un aparato que esté dañado o modificado. Las baterías dañadas o modificadas pueden mostrar un comportamiento imprevisible que puede provocar un incendio, una explosión o un riesgo de lesiones.

- h) No exponga una batería o aparato al fuego o a una temperatura excesiva. La exposición al fuego o a una temperatura superior a 130°C puede provocar una explosión. La temperatura de 130°C puede ser sustituida por la de 265°F.
- i) Siga todas las instrucciones de carga y no cargue el paquete de baterías o el aparato fuera del rango de temperatura especificado en las instrucciones. La carga inadecuada o a temperaturas fuera del rango especificado puede dañar la batería y aumentar el riesgo de incendio.
- j) Encargue el mantenimiento a una persona cualificada que utilice únicamente piezas de repuesto idénticas. Esto garantizará que se mantenga la seguridad del producto.
- k) No modifique ni intente reparar el aparato o el paquete de baterías (según corresponda), salvo lo indicado en las instrucciones de uso y cuidado.

Cuidado adecuado de la batería

Almacenamiento fuera de temporada

Para obtener la mayor duración posible de la batería, sugerimos lo siguiente:

- Retire el paquete de baterías del cargador una vez que esté completamente cargado y listo para su uso.
- Para almacenar la batería durante más de 30 días:
- Guarde el paquete de baterías a una temperatura inferior a 80 °F y lejos de la humedad.
 - Almacenar los paquetes de baterías en condiciones de plena carga.
 - Cada dos meses de almacenamiento, cargue la batería con normalidad.

Normas de seguridad del cargador

- Cargue la batería en un lugar seco y protegido de la intemperie. No exponga la cortadora ni el cargador a la lluvia. No cargue la batería en un lugar húmedo. Utilice el cargador de la batería a temperaturas entre 45° y 104°F. Para reducir el riesgo de descarga eléctrica, utilice únicamente el cargador suministrado por el fabricante.
- **NO ABUSE DEL CABLE DE CARGA.** No lleve nunca el cargador por el cable. No desconecte el cargador de la toma de corriente tirando del cable de carga.
- No utilice un cargador dañado. Sustituya los cables del cargador o el cargador inmediatamente.
- Mantenga la cortadora de hilo y el cargador alejados del agua, fuentes de calor (radiadores, calefactores, estufas, etc.), llamas y productos químicos.
- Asegúrese de que el paquete de baterías está asegurado en el cargador antes de empezar a funcionar.
- El paquete de baterías se calentará ligeramente al tacto durante la carga. Esto es normal y no indica ningún problema.
- No coloque el cargador y el paquete de baterías en una zona de calor o frío extremos. Funcionarán mejor a una temperatura ambiente normal.
- Cuando las baterías estén completamente cargadas, desenchufe el cargador de la red eléctrica y retire el paquete de baterías.



ADVERTENCIA: Al transportar o realizar el mantenimiento de la unidad, retire siempre la batería.



ADVERTENCIA: Algunos polvos creados por el lijado, el aserrado, el amolado, el taladrado y otras actividades de construcción contienen sustancias químicas que, según el estado de California, causan cáncer, defectos de nacimiento u otros daños reproductivos. Algunos

ejemplos de estas sustancias químicas son:

- Plomo de las pinturas con base de plomo,
 - Sílice cristalina de los ladrillos y el cemento y otros productos de albañilería, y
 - Arsénico y cromo de la madera tratada químicamente.
- Su riesgo por estas exposiciones varía, dependiendo de la frecuencia con la que realice este tipo de trabajo. Para reducir su exposición a estas sustancias químicas: trabaje en una zona bien ventilada y

utilice equipos de seguridad aprobados, como las máscaras antipolvo especialmente diseñadas para filtrar las partículas microscópicas.

SERVICIO

- El servicio de la herramienta debe ser realizado únicamente por personal de reparación cualificado. El servicio o mantenimiento realizado por personal no cualificado podría provocar un riesgo de lesiones.
- Cuando realice el mantenimiento de una herramienta, utilice únicamente piezas de repuesto idénticas. Siga las instrucciones de la sección de Mantenimiento de este manual. El uso de piezas no autorizadas o el incumplimiento de las Instrucciones de Mantenimiento puede crear un riesgo de descarga eléctrica o de lesiones.







NORMAS ESPECÍFICAS DE SEGURIDAD

- Utilizar la máquina sólo a la luz del día o con buena luz artificial.
- Cuando se utiliza como Canteadora, las piedras, los trozos de metal y otros objetos pueden salir despedidos a gran velocidad por el hilo. La herramienta y la protección están diseñadas para reducir el peligro. Sin embargo, deben tomarse las siguientes precauciones especiales: ASEGÚRESE de que otras personas y mascotas estén al menos a 100 pies (30 m) de distancia.
- Utilice únicamente el hilo de repuesto de 0,065 pulgadas de diámetro del fabricante en el cabezal de corte. No utilice ningún otro accesorio de corte, por ejemplo, cable metálico, cuerda o similar. Instalar cualquier otra marca de cabezal de corte en esta desbrozadora puede provocar graves lesiones personales.
- Nunca utilice la unidad sin el deflector de hierba en su lugar y en buenas condiciones.
- Compruebe las piezas dañadas. Antes de seguir utilizando la herramienta, debe comprobarse cuidadosamente una protección u otra pieza que esté dañada para determinar que funcionará correctamente y realizará su función prevista. Compruebe la alineación de las piezas móviles, el agarrotamiento de las mismas, la rotura de piezas, el montaje y cualquier otra condición que pueda afectar a su funcionamiento. Una protección u otra pieza que esté dañada debe ser reparada o sustituida adecuadamente por un centro de servicio autorizado para evitar el riesgo de lesiones personales.
- No utilice nunca hojas, dispositivos de agitación, cables o cuerdas. La unidad está diseñada para el uso exclusivo de la cortadora de hilo. El uso de cualquier otro accesorio o aditamento aumentará el riesgo de lesiones.
- Mantenga las rejillas de ventilación limpias y libres de residuos para evitar el sobrecalentamiento del motor. Limpiar después de cada uso.
- Detenga la unidad y desconecte la fuente de alimentación cuando no la utilice. Transportar la unidad con el motor parado.
- No utilice la desbrozadora con ningún tipo de accesorio o aditamento. Dicho uso podría ser peligroso.
- Riesgo de corte. Mantenga las manos alejadas del hilo. Mantenga ambas manos en las asas cuando esté encendida.
- No intente retirar el material cortado ni sujetar el material a cortar cuando los hilos estén en movimiento. Asegúrese de que el interruptor de arranque está apagado cuando limpie el material atascado de la protección. No agarre la protección o los hilos cuando recoja o sostenga la desbrozadora.
- No fuerce la máquina. Hará el trabajo mejor y con menos probabilidad de riesgo de lesiones al ritmo para el que fue diseñada.

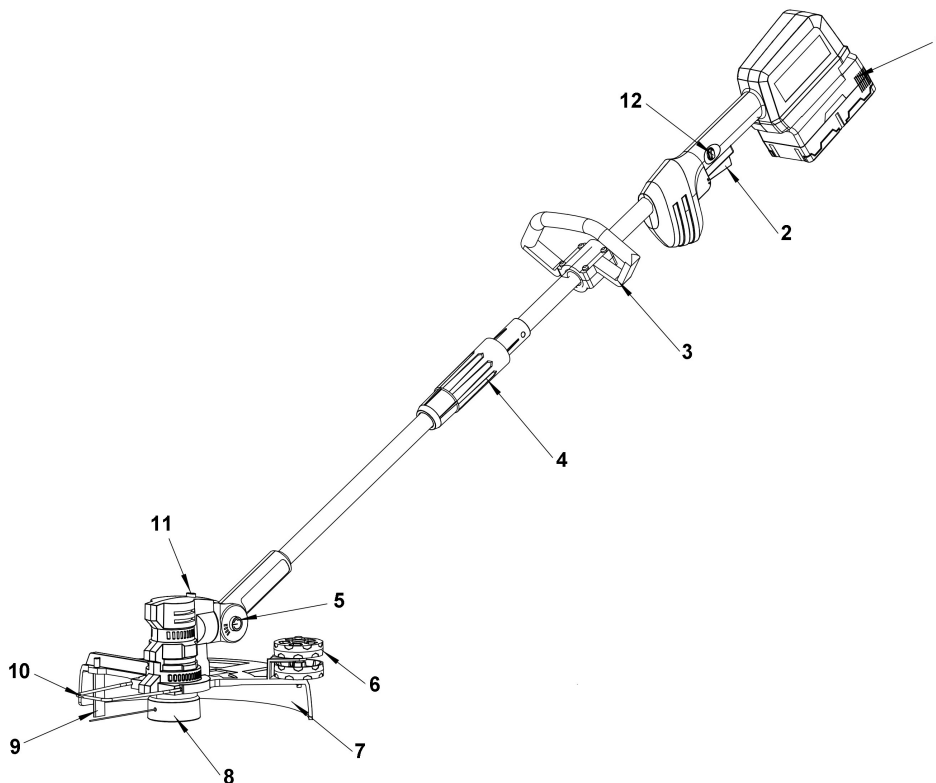
- Cuando no se utilice, la máquina debe guardarse en un lugar seco y alto o bajo llave, fuera del alcance de los niños.

SÍMBOLOS

Algunos de los siguientes símbolos pueden ser utilizados en este producto. Por favor, estúdielos y aprenda su significado. La interpretación correcta de estos símbolos le permitirá utilizar el producto de forma mejor y más segura.

SYMBOL	NOMBRE	DESIGNACIÓN/EXPLICACIÓN
V	Voltios	Tensión
A	Amperios	Corriente
Hz	Hertz	Frecuencia (ciclos por segundo)
W	Vatios	Potencia
MIN	Minutos	Tiempo
	Alerta de seguridad	Precauciones que implican su seguridad
	Lea el manual del usuario	Para reducir el riesgo de lesiones, el usuario debe leer y comprender el manual del usuario antes de utilizar este producto.
	Protección de los ojos	Lleve protección para los ojos cuando utilice este equipo.
	Protección auditiva	Utilice una protección auditiva adecuada cuando utilice este equipo.
	Desconecte la batería.	Cuando realice el mantenimiento de la máquina, retire la batería.
	Mantenga alejados a los Transeúntes	Mantenga a todos los transeúntes a una distancia mínima de 15 metros.
	Rebote	Los objetos arrojados pueden rebotar y provocar lesiones personales o daños materiales.
	Alerta de condiciones de humedad	No exponga la máquina a la lluvia ni la utilice en lugares húmedos.

CONOCIENDO SU RECORTADORA DE HILO



- | | | | |
|---|---------------------------------------|----|----------------------------------|
| 1 | Paquete de baterías | 7 | Protector de seguridad |
| 2 | Interruptor de arranque | 8 | Cabezal de corte |
| 3 | Manija auxiliar | 9 | Cuchilla |
| 4 | Bloqueo de la conexión | 10 | Soporte de protección |
| 5 | Botón de ajuste del cabezal pivotante | 11 | Botón de ajuste de la cuchilla |
| 6 | Rueda de guía de cantos | 12 | Botón de bloqueo del interruptor |

INSTRUCCIONES DE MONTAJE

Desembalaje

Desembale la máquina y todas sus piezas, y compárelas con la lista que aparece a continuación. No deseche la caja ni los materiales de embalaje. Llame al 1-800-791-9458 o envíenos un correo electrónico a support@amerisuninc.com si alguna pieza está dañada o falta.

LISTA DE EMBALAJE

Guardia de seguridad * 1

Rueda de guía de bordes * 1

Batería y cargador * 1

Tornillo M5 * 14 mm * 1

Carrete * 2

Manual de usuario * 1

Conjunto de mango auxiliar * 1 (mango auxiliar * 1, tuerca de bloqueo M5 * 4, perno M5 * 30 * 4, manguito de amortiguación * 1, bloque de bloqueo * 1)



ADVERTENCIA:

No utilice este producto si alguna de las piezas de la lista de embalaje ya está montada en su producto cuando lo desembale. Las piezas de esta lista no están montadas en el producto por el fabricante y requieren la instalación por parte del cliente. El uso de un producto que pueda haber sido montado inadecuadamente puede resultar en lesiones personales graves.



ADVERTENCIA:

Si alguna de las piezas está dañada o falta, no utilice este producto hasta que se sustituyan las piezas. El uso de este producto con piezas dañadas o faltantes podría provocar lesiones personales graves.



ADVERTENCIA:

No intente modificar este producto ni crear accesorios no recomendados para su uso. Cualquier alteración o modificación de este tipo constituye un uso indebido y podría dar lugar a una condición peligrosa que podría provocar lesiones personales graves.

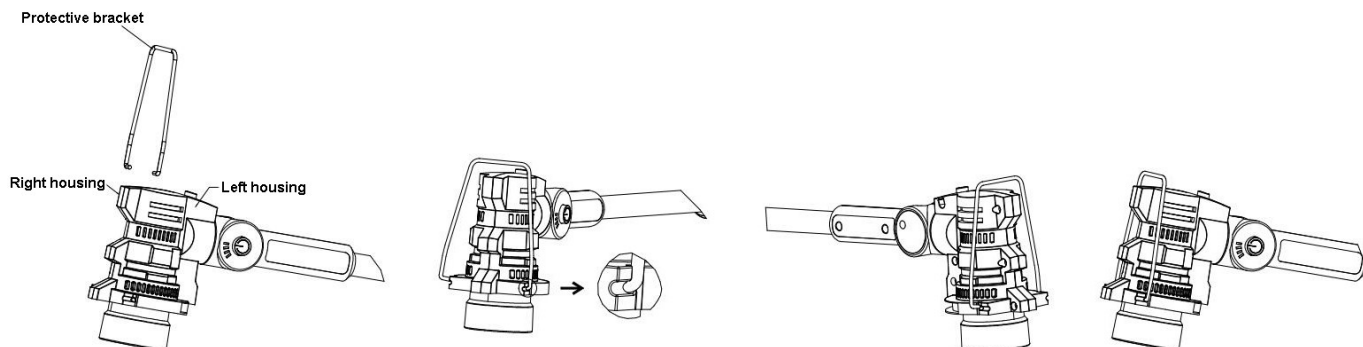


ADVERTENCIA:

No conecte el aparato a la red eléctrica hasta que haya terminado el montaje. El incumplimiento de esta norma podría provocar un arranque accidental y posibles lesiones personales graves.

INSTALACIÓN DEL SOPORTE DE PRODUCCIÓN

1. Alinee un extremo del soporte de protección con el orificio de montaje de la carcasa izquierda e instálelo.
2. Instale el otro extremo del soporte de protección en el orificio de montaje de la carcasa derecha.



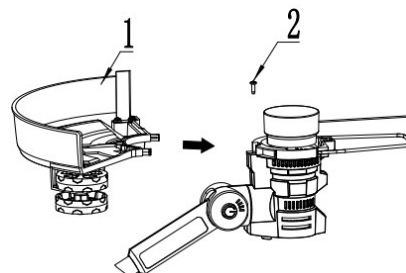
INSTALACIÓN DEL RESGUARDO DE SEGURIDAD

Para evitar lesiones, retire siempre la batería antes de instalar el protector, cambiar un hilo de corte o realizar cualquier ajuste.

Si el protector está dañado, no utilice el cortabordes/la desbrozadora hasta que lo sustituya.

NOTA: Instale la protección antes de utilizar el cortabordes/la desbrozadora. No se puede quitar ni desmontar.

1. Retire la batería.
2. Invierta el cortabordes para acceder al cabezal de corte.
3. Introduzca la protección de seguridad en la ranura correspondiente de la carcasa en dirección de la flecha. Bloquee con los tornillos.

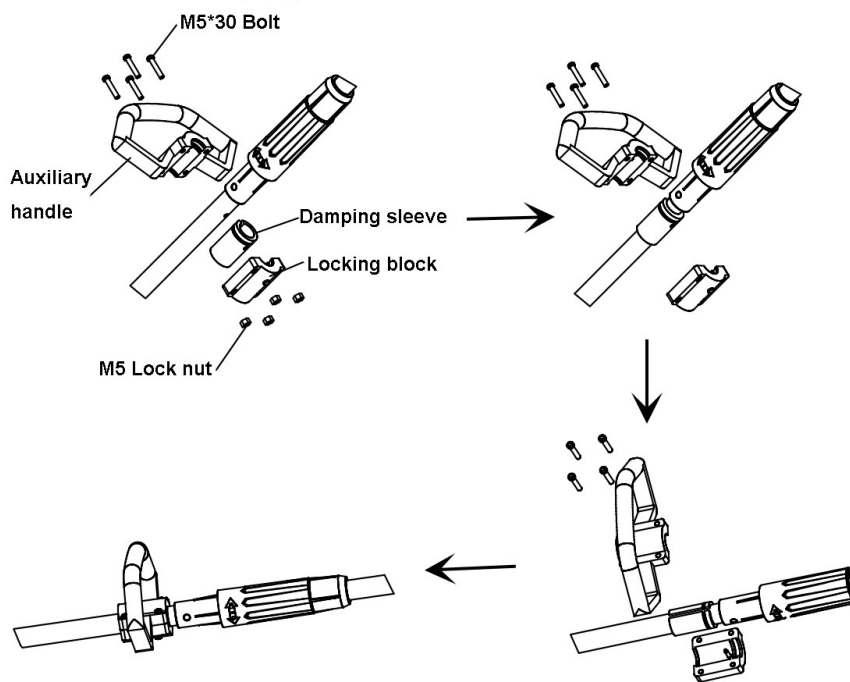


INSTALACIÓN DE LA MANIJA AUXILIAR



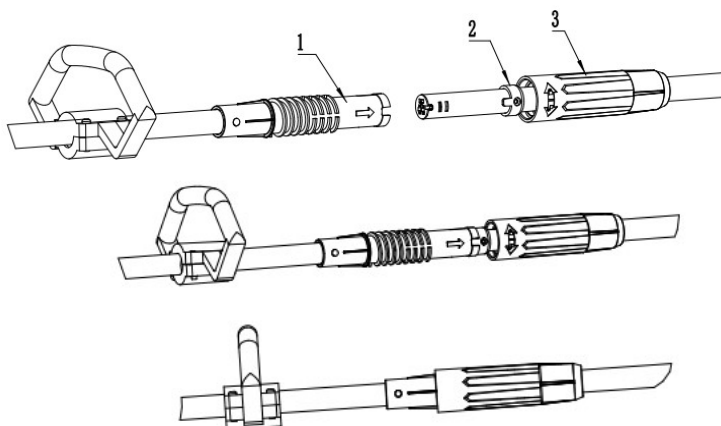
ADVERTENCIA: Para evitar lesiones, ajuste la empuñadura auxiliar para un control y equilibrio óptimos. No se extienda en exceso cuando maneje la recortadora de hilo/el cortabordes. Mantenga el equilibrio adecuado en todo momento para un mejor control de la herramienta en situaciones inesperadas.

1. Instale la tuerca de bloqueo M5 en el bloque de bloqueo.
2. Alinee el punto convexo del bloque de bloqueo con el orificio del tubo e instálelo.
3. Cubra la manija auxiliar.
4. Bloquee con 4 pernos (M5*30).



CONECTAR EL EJE SUPERIOR Y EL EJE TELESCÓPICO

- Alinee la flecha del mango superior (1) con el punto convexo (2) del eje telescópico e insértelo hasta el final.
- Sujete el mango superior y apriete el eje telescópico.

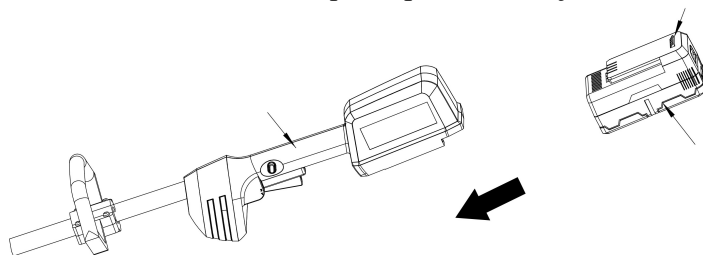


CONECTAR Y RETIRAR LA BATERÍA

¡IMPORTANTE! El paquete de baterías no está cargado al comprarlo. Antes de utilizar la herramienta eléctrica por primera vez, coloque el paquete de baterías en el cargador de baterías y cárguelo. Asegúrese de leer todas las precauciones de seguridad, y siga las instrucciones de la sección del cargador de baterías.

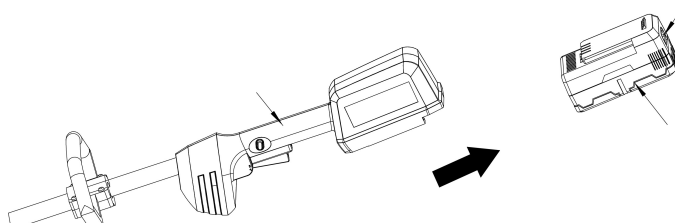
Para instalar la batería

Para instalar el paquete de baterías en la parte inferior del mango, alinee los raíles del paquete de baterías con los raíles del mango y empuje la batería hacia el mango. Para conectar la batería, deslice el paquete de baterías completamente hacia adelante. Hasta que el pestillo encaje en su sitio.



Para retirar el paquete de baterías

Presione el botón de liberación de la batería, deslice el paquete de baterías hacia atrás y luego tire o levante la batería para sacarla de la herramienta.



ADVERTENCIA:

Siga estas instrucciones para evitar lesiones y reducir el riesgo de descarga eléctrica o incendio:

- Sustituya la batería o el cargador inmediatamente si la caja de la batería o el cable del cargador están dañados.
- Verifique que el paquete de baterías esté retirado antes de inspeccionar, ajustar o realizar el mantenimiento de cualquier parte de la herramienta eléctrica.
- Lea, comprenda y siga las instrucciones.

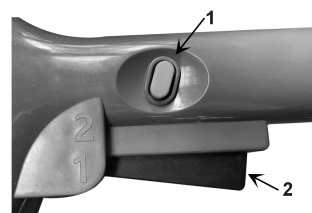
INSTRUCCIONES DE USO



ADVERTENCIA: Lea y comprenda completamente todas las instrucciones e información de seguridad antes de utilizar esta máquina. El incumplimiento puede causar lesiones graves o la muerte. No permita que nadie opere esta máquina si no ha leído este manual. Una desbrozadora puede ser peligrosa si se monta o se utiliza de forma incorrecta. No utilice esta desbrozadora si tiene dudas o preguntas sobre su funcionamiento seguro. Llame a nuestro departamento de atención al cliente al 1-800-791-9458 para resolver estas dudas.

ARRANQUE/PARADA DE LA MÁQUINA

- Instale la batería. (Consulte Instalación del paquete de baterías)
- Para poner en marcha la máquina, pulse primero el botón de autobloqueo (1) y después el interruptor de gatillo (2).
- Hay dos velocidades. Velocidad 1: tocar el interruptor del gatillo; Velocidad 2: pulsar continuamente el interruptor del gatillo dos veces.



- Para desconectar, suelte el interruptor de gatillo (2).

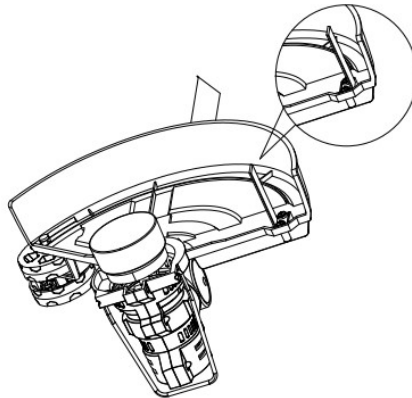


ADVERTENCIA:

La herramienta funciona durante aproximadamente 3 segundos después de ser apagada. Deje que el motor se detenga por completo antes de depositar la herramienta.

AJUSTE DE LA CUCHILLA DE CORTE

La cuchilla de corte se puede girar 180 ° para cambiar el ancho de corte de 12 pulgadas a 13 pulgadas.

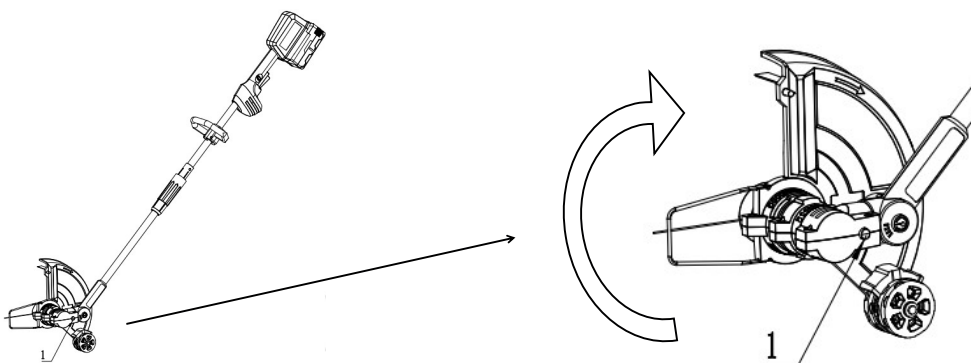


FUNCIÓN DE RIBETEADO

Para su uso junto a patios, entradas y caminos o cualquier zona que requiera una línea de borde bien cuidada.

Pulse el botón de borde(1) e incline el cabezal de corte 90 grados hasta que el cabezal se bloquee en su posición y suelte el botón.

IMPORTANTE: La batería debe ser retirada antes de realizar los ajustes.



MANEJO DE LA RECORTADORA



ADVERTENCIA: Asegúrese de que la zona de trabajo esté libre de rocas, escombros, líneas y otros objetos extraños.

1. Baje el protector para evitar que la carcasa del motor se acerque demasiado a un objeto, como un tronco de árbol o una pared, y provoque daños en el carrete de recorte.
2. Ponga en marcha el cortabordes antes de acercarse a la hierba que va a cortar.
3. Corte la hierba moviendo el cortabordes de derecha a izquierda y proceda lentamente manteniendo el cortabordes inclinado hacia delante en un ángulo de unos 30°. Los cortes ligeros son mejores que los cortes fuertes, ya que permiten que la hierba cortada caiga lejos de la carcasa del motor.
4. La hierba alta debe cortarse por capas, empezando siempre por la parte superior. No corte hierba húmeda o mojada. No sobrecargue su recortadora.
5. Tenga cuidado con los contragolpes en caso de impacto con objetos duros.
6. Una vez terminada la operación de corte, mantenga el cabezal cerca del nivel del suelo, suelte el interruptor y deje que el motor se detenga por completo. el motor se detenga por completo. Coloque el cortabordes en el suelo y retire el paquete de baterías del cortabordes.

Nota: Limpie periódicamente la hierba entre el carrete y el borde del protector para evitar que la herramienta vibre.

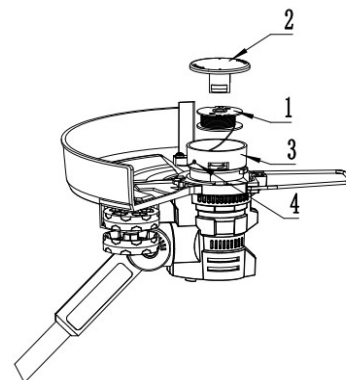
MONTAJE Y SUSTITUCIÓN DEL CONJUNTO DEL CARRETE DE LA LÍNEA

El cortacésped lleva preinstalada una bobina de hilo de corte monofilamento. Cuando sea necesario sustituir el hilo de corte, inserte una nueva bobina.

Para evitar lesiones, retire siempre la batería antes de instalar el protector, cambiar el hilo de corte o realizar cualquier ajuste.

Para quitar el carrete:

1. Desconecte el cortabordes de la red eléctrica.
2. Gire el cortabordes para acceder al carrete.
3. Retirar la tapa del carrete presionando dos lengüetas paralelas entre sí en el lado de la tapa (2).
4. Saque el carrete (1) del alojamiento del carrete (3).



Para sustituir el carrete:

1. Sustituya el carrete (1) por un nuevo carrete prebobinado.
2. Introduzca el extremo del sedal por la abertura (4) del alojamiento del carrete (3).
3. Alinee las lengüetas de la tapa del carrete con las ranuras del alojamiento del carrete en el cabezal de corte.
4. Empuje hacia abajo la tapa del carrete para que quede fijada en el alojamiento del carrete.
5. Para hacer avanzar el sedal cuando está instalado inicialmente, debe tirar del sedal mientras presiona el botón negro de liberación del sedal en el lateral del alojamiento del carrete (3).

MANTENIMIENTO



ADVERTENCIA: Para evitar lesiones personales y el riesgo de incendio y descarga eléctrica, retire la batería antes de ajustar, inspeccionar o limpiar la máquina.



ADVERTENCIA: Al realizar el mantenimiento, utilice únicamente piezas de repuesto idénticas. El uso de cualquier otra pieza podría crear un peligro o causar daños al producto.

LIMPIEZA

Retire el paquete de baterías.

- Cepille o sople el polvo y los residuos de las rejillas de ventilación utilizando aire comprimido o una aspiradora. Mantenga los conductos de ventilación libres de obstrucciones, serrín y astillas de madera. No rocíe, lave o sumerja las rejillas de ventilación en agua.
- Limpie la carcasa y los componentes de plástico con un paño húmedo y suave. No utilice disolventes o detergentes fuertes en la carcasa de plástico o en los componentes de plástico. Algunos productos de limpieza domésticos pueden dañar la carcasa y provocar una descarga eléctrica.

INSPECCIÓN GENERAL

Compruebe regularmente que todos los tornillos de fijación están apretados. Pueden aflojarse con el tiempo.

ALMACENAMIENTO

- Guarde la máquina lejos de la luz solar directa.
- No guarde en una bolsa de nylon, ya que puede favorecer la formación de moho.
- Guárdelo en un lugar bien ventilado e inaccesible para los niños.
- Manténgase alejado de los agentes corrosivos, como los productos químicos de jardinería y las sales de deshielo.
- Al final de la temporada, realice una limpieza general de la máquina y una revisión exhaustiva.

PAQUETE DE BATERÍAS

- Guarde el paquete de baterías completamente cargado.
- Una vez que la luz de carga se ponga verde, retire la batería del cargador y desconecte el cargador de la toma de corriente.
- No guarde el paquete de baterías en la herramienta.
- Después de la carga, la batería puede guardarse en el cargador, siempre que éste no esté enchufado.

MANTENIMIENTO DEL CARGADOR

- Mantenga el cargador limpio y libre de residuos. No permita que entren materiales extraños en la cavidad empotrada o en los contactos. Limpie el cargador con un paño seco. No utilice disolventes ni agua, y no coloque el cargador en condiciones de humedad.
- Desenchufe el cargador cuando no haya ninguna batería en él.
- Cargue completamente las baterías antes de guardarlas.
- Guarde el cargador a temperatura ambiente normal. No lo almacene en condiciones de calor excesivo. No utilice el cargador bajo la luz solar directa. Recárguelo a temperatura ambiente entre 45°F y 104°F. Si la batería está caliente, deje que se enfríe antes de recargarla.

ELIMINACIÓN DE LAS BATERÍAS DE FORMA SEGURA PARA EL MEDIO AMBIENTE

Las baterías utilizadas en el paquete de baterías de esta cortadora de hilo contienen el siguiente material tóxico y corrosivo:

IONES DE LITIO.



ADVERTENCIA:

Los materiales tóxicos deben eliminarse de una manera específica para evitar la contaminación del medio ambiente. Antes de deshacer las baterías de iones de litio dañadas o desgastadas, póngase en contacto con su agencia local de eliminación de residuos para obtener información e instrucciones específicas. Lleve las baterías a un centro local de reciclaje y/o eliminación de residuos que esté certificado para su eliminación.

Si el paquete de baterías se agrieta o se rompe, con o sin fugas, no lo recargue y no lo utilice. Deséchelo y sustitúyalo por un nuevo paquete de pilas. **¡NO INTENTE REPARARLO!**

Siga estas instrucciones para evitar lesiones y el riesgo de incendio, explosión o descarga eléctrica, y para evitar daños al medio ambiente:

- Cubra los terminales de la batería con cinta adhesiva de alta resistencia.
- No intente retirar o destruir ninguno de los componentes de la batería.
- No intente abrir el paquete de baterías.
- Si se produce una fuga, los electrolitos que se liberan son corrosivos y tóxicos. No permita que la solución entre en contacto con los ojos o la piel, y no la ingiera.
- No deposite las pilas en la basura doméstica normal.
- NO incinere las baterías.
- NO coloque las baterías donde vayan a formar parte de cualquier vertedero o flujo de residuos sólidos municipales.
- Deseche las baterías en un centro de reciclaje o eliminación certificado.

SOLUCIÓN DE PROBLEMAS

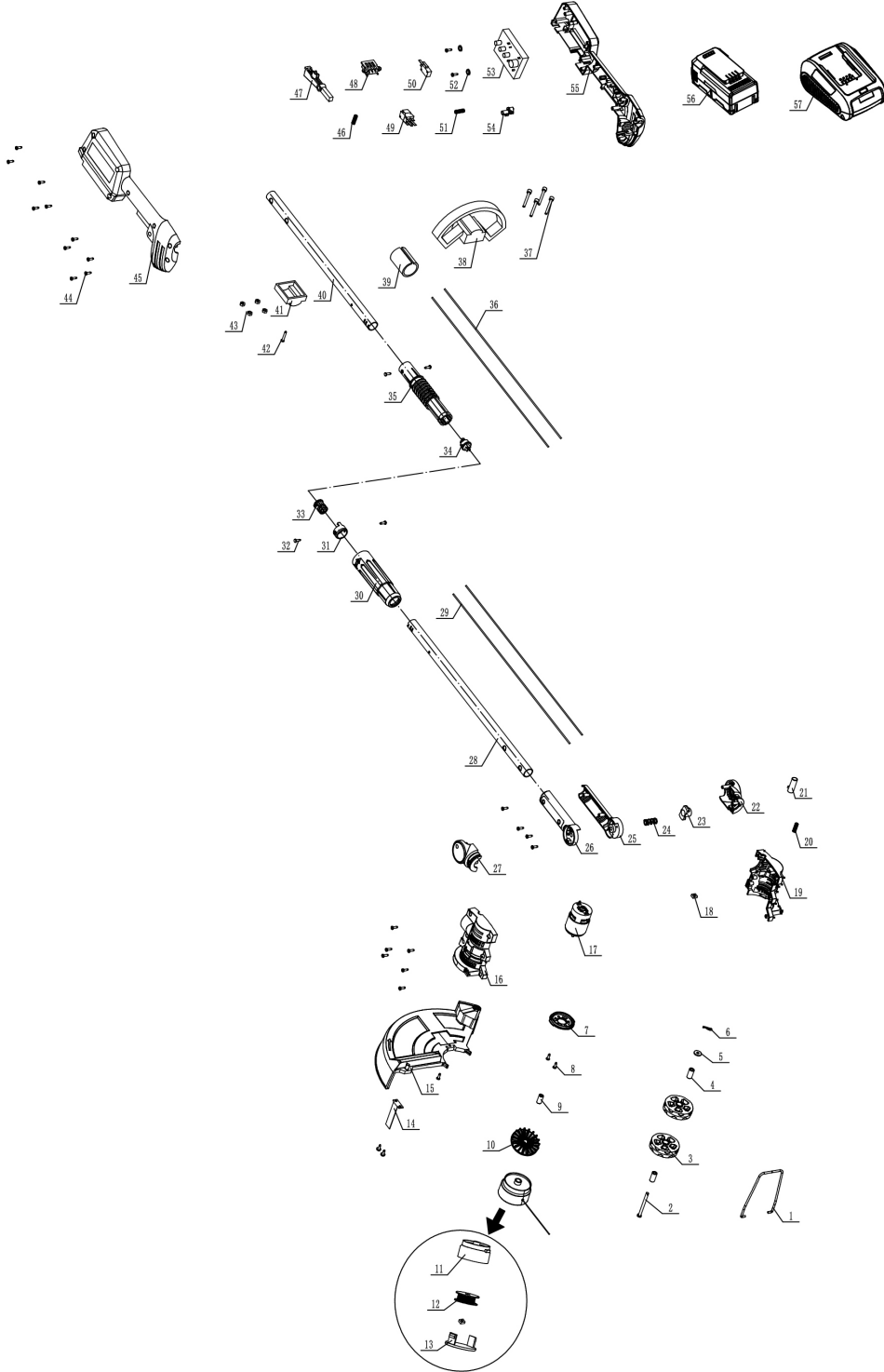


ADVERTENCIA: ¡Lea primero el manual de instrucciones! Retire la batería antes de realizar ajustes o montar accesorios.

El siguiente formulario enumera los sistemas operativos más comunes con problemas y soluciones. Por favor, lea el formulario cuidadosamente y sígalo.

PROBLEMAS	POSIBLES CAUSAS	SOLUCIÓN
El motor no arranca cuando se presiona el gatillo del interruptor	La batería no está asegurada. La batería no está cargada	Para asegurar la batería, asegúrese de que los cierres de la parte superior de la batería encajen en su sitio. Cargue el paquete de baterías de acuerdo con las instrucciones incluidas con su modelo.
La línea no avanza	Comprobar el carrete Sustituir la bobina	1. Compruebe que el sedal no está enredado o atascado en el carrete 2. Retire el sedal y vuelva a colocar el carrete del sedal y asegúrese de que el mecanismo está limpio
El motor funciona, pero las cuchillas	Recortadora dañada No utilice la recortadora de hilo	Llame al servicio técnico
pero las cuchillas no se mueven.	Comprobar la línea de corte	1. Compruebe que la línea de corte está completamente extendida. Si no es así: 2. Extienda manualmente el hilo o detenga y ponga en marcha la recortadora hasta que el hilo se haya extendido hasta el cortador 3. Realice cortes más pequeños, esta es una recortadora para trabajos ligeros. 4. Asegúrese de que el hilo está completamente extendido

DESPIECE Y LISTA DE PIEZAS



Artículo	Existencias#	Descripción	Cantidad
1	303160914	Soporte de protección de la recortadora	1
2	303160915	Clavija en T	1
3	203050710	Rueda de desplazamiento	2
4	303160235	Manguito de fijación del gatillo 2	2
5	303042095	Arandela plana	1
6	303123041	Perno	1
7	203050711	Soporte del motor	1
8	303020659	Perno	3
9	303160916	Manguito de conexión del motor	1
10	203050966	Rotor	1
11	203050712	Asiento fijo del cabezal de corte	1
12	303160917	Conjunto del carrete	1
13	203050713	Tapa del cabezal de corte	1
14	303240688	Cuchilla	1
15	203050714	Escudo	1
16	203070153	Carcasa derecha	1
17	301030095	Motor	1
18	303030147	Tuercas cuadradas M5	2
19	203070154	Carcasa izquierda	1
20	303130370	Muelle 2	1
21	203050715	Botón de giro 1	1
22	203070155	Junta giratoria izquierda	1
23	203050716	Botón giratorio 2	1
24	303130371	Muelle 1	1
25	203070156	Conector izquierdo	1
26	203070157	Conector derecho	1
27	203070158	Junta rotativa derecha	1
28	303181348	Tubo superior	1
29	301100066	Conductor del tubo superior	2

Artículo	Existencias#	Descripción	Cantidad
30	203050717	Manguito	1
31	203050718	Manguito de límite	1
32	306110041	Remache	4
33	203050719	Soporte de hebilla hembra	1
34	203050720	Soporte de hebilla macho	1
35	203050721	Conector	1
36	301100067	Conductor del tubo inferior	2
37	303020658	Perno M5×30	4
38	203050706	Asa auxiliar	1
39	302080080	Manguito de amortiguación	1
40	303181347	Tubo inferior	1
41	203050707	Bloque de bloqueo	1
42	303010028	Tornillo	1
43	303030030	Tuerca de bloqueo M5	4
44	303010298	Tornillo	25
45	203070159	Carcasa derecha	1
46	303130372	Muelle 3	1
47	203050722	Gatillo	1
48	203021266	Soporte de inserción del cargador	1
49	301100064	Interruptor de doble enlace	1
50	303240605	El microinterruptor	1
51	203021462	Muelle autoblocante	2
52	303043050	Arandela plana	2
53	303240687	Controlador del cepillo	1
54	203021462	Botón de autobloqueo	1
55	203070160	Carcasa izquierda	1
56	202460015	Paquete de baterías	1
57	202470011	DB2202A Conjunto cargador	1

GARANTÍA LIMITADA A DOS (2) AÑOS

PowerSmart se compromete a crear herramientas que son fiables por años. Nuestras garantías son consistentes con nuestro compromiso y dedicación a la calidad.

GARANTÍA LIMITADA DE DOS (2) AÑOS EN PRODUCTOS POWER SMART DE USO DOMÉSTICO.

PowerSmart ("Vendedor") garantiza únicamente al comprador original, que todas las herramientas eléctricas de consumo PowerSmart estarán libres de defectos tanto en los materiales como en la mano de obra durante un período de dos (2) años a partir de la fecha de compra. Noventa (90) días para todos los productos PowerSmart, si la herramienta se usa para uso profesional o comercial.

LA ÚNICA OBLIGACIÓN DEL VENDEDOR Y SU RECURSO EXCLUSIVO en virtud de esta Garantía limitada de dos (2) años y, en la medida permitida por la ley, cualquier garantía o condición implícita por ley, será la reparación o reemplazo de piezas, sin cargo, que sean defectuosas en el material o mano de obra y que no hayan sido mal utilizados, manejados por negligencia o reparados inadecuadamente por personas que no sean el Vendedor o el Centro de Servicio Autorizado. Para realizar una reclamación bajo esta Garantía Limitada, debe devolver el producto de herramienta eléctrica completo; con el transporte prepago, a PowerSmart Incluya una copia legible del recibo original, que enumera la fecha de compra (mes y año) y el nombre de la compañía de donde fue adquirido.

ESTA GARANTÍA LIMITADA NO SE APLICA A NINGÚN ACCESORIO INCLUIDO CON LA HERRAMIENTA, COMO LAS HOJAS DE SIERRA CIRCULAR, OTROS ARTÍCULOS RELACIONADOS O CUALQUIER PIEZAS DE REPUESTO ENUMERADAS BAJO MANTENIMIENTO.

CUALQUIER GARANTÍA IMPLÍCITA SE LIMITARÁ A UNA DURACIÓN DE DOS (2) AÑOS A PARTIR DE LA FECHA DE COMPRA. PARA ALGUNOS ESTADOS DE EE. UU Y ALGUNAS PROVINCIAS CANADIENSES NO PERMITEN LIMITACIONES EN CUANTO A LA DURACIÓN DE LA GARANTÍA IMPLÍCITA, POR LO QUE ES POSIBLE QUE LA LIMITACIÓN ANTERIOR NO SE APLICA EN SU CASO.

BAJO NINGUNA CIRCUNSTANCIA, EL VENDEDOR SERÁ RESPONSABLE DE DAÑOS INCIDENTALES O CONSECUENTES (INCLUIDOS, ENTRE OTROS, LA RESPONSABILIDAD POR PÉRDIDAS DE GANANCIAS) DERIVADOS DE LA VENTA O EL USO DE ESTE PRODUCTO. PARA ALGUNOS ESTADOS DE EE. UU Y ALGUNAS PROVINCIAS CANADIENSES NO PERMITEN LIMITACIONES O EXCLUSIÓN DE DAÑOS INCIDENTALES O CONSECUENTES, POR LO QUE ES POSIBLE QUE LA LIMITACIÓN ANTERIOR NO SE APLICA EN SU CASO.

ESTA GARANTÍA LIMITADA LE OTORGA DERECHOS LEGALES ESPECÍFICOS Y TAMBIÉN PUEDE TENER OTROS DERECHOS QUE VARÍAN DE ESTADO A ESTADO EN EE.UU., PROVINCIA A PROVINCIA EN CANADÁ Y DE PAÍS A PAÍS

Para dudas / comentarios, asistencia técnica o partes de reparación, llame gratis a: 1-800-791-9458 (M-F 9am – 5pm EST) Email: support@amerisuninc.com

CONSERVE SUS RECIBOS. ESTA GARANTÍA PIERDE SU VALIDEZ SI NO SE PRESENTAN LOS RECIBOS.