

Spray Gun Models 3381-0010 and 3381-0011



SPECIFICATIONS:

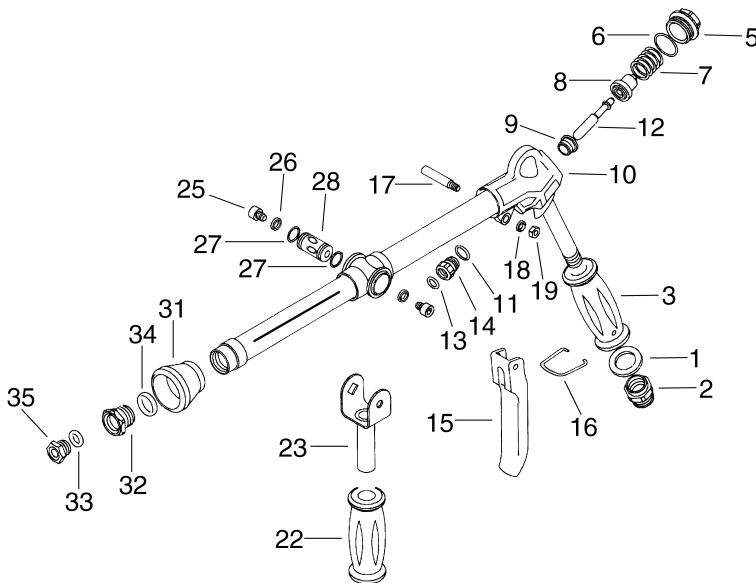
Maximum Pressure: 1200 psi

Maximum Capacity: Model 3381-0010 - 25 gpm
Model 3381-0011 - 30 gpm

Barrel Length: Model 3381-0010 - 17"
Model 3381-0011 - 21"

Port-NPT: 1/2" Inlet (M)

*(Note: Gun comes equipped with a 1/2" hose barb inlet.
Simply remove hose barb for 1/2" male inlet.)*



REF. NO.	QTY. REQ'D.	PART NUMBER	DESCRIPTION
1	1	9920-232	Washer
2	1	9920-230B	Inlet Port
3	1	9920-193	Hand Grip
5	1	9920-231	Plug
6	1	*	O-ring
7	1	9920-233	Spring
8	1	*	Poppet
9	1	*	Seat
10	1	9920-7.1615.3	Body, Welded Assy for -0010
10	1	9920-13.1615.8	Body, Welded Assy for -0011
11	1	*	O-ring
12	1	9920-239	Plunger
13	1	*	O-ring
14	1	9920-241	Guide
15	1	9920-246	Trigger
16	1	9920-245C	Locking Clip
17	1	9920-194	Pin
18	1	9920-1751	Washer
19	1	9920-5587-68	Nut
22	1	9920-192	Front Grip
23	1	9920-247	Bracket
25	2	9920-5931	Bolt
26	2	9920-1751	Washer
27	2	*	O-ring
28	1	9920-237	Regulator
31	1	9920-183	Shroud for -0010
31	1	9920-408	Shroud for -0011
32	1	9920-158	Nozzle Retainer for -0010
32	1	9920-407	Nozzle Retainer for -0011
33	1	*	O-ring
34	1	*	O-ring
35	1	3385-	Nozzles 3385-2300, -3000, -3500, -4000, -4500, -5000, -5500, -6000, -7000
36	1	9910-110130	Hose Barb, wing nut, gasket

Note: When ordering parts, give QUANTITY, PART NUMBER, DESCRIPTION and COMPLETE ACCESSORY NUMBER. Reference numbers are used ONLY to identify parts in the drawing and are NOT to be used as order numbers.

* **Repair Kit No. 9920-KIT10/11** consists of the following:
(1) Ref. 6 O-ring 9920-3100, (1) Ref. 8 Poppet 9920-71903.1, (1) Ref. 9 Seat 9920-129, (1) Ref. 11 O-ring 9920-2050, (1) Ref. 13 O-ring 9920-109, (2) Ref. 27 O-rings 9920-119, (1) Ref. 33 O-ring 9920-115, and (1) Ref. 34 O-ring 9920-124.

Spray Gun Performance Chart for 3381-0010 and 3381-0011

HYPRO MODEL NUMBER	ORIFICE DIAMETER (mm)	EQUIVALENT NOZZLE NUMBER	PERFORMANCE	PRESSURE SETTING (PSI) **													
				200 PSI		350 PSI		500 PSI		600 PSI		650 PSI		700 PSI		850 PSI	
				Cone	Straight	Cone	Straight	Cone	Straight	Cone	Straight	Cone	Straight	Cone	Straight	Cone	Straight
3385-2300	2.3	14	-0010 Flow (GPM)	2.1	2.8	2.7	3.6	3.3	4.4	3.7	4.8	3.9	5.0	4.0	5.2	4.4	5.5
			-0011 Flow (GPM)	2.8	2.8	3.7	3.7	4.5	4.9	4.9	5.1	5.1	5.3	5.3	5.7	5.7	
			MAX THROW (FT)*	11.4	29.0	12.9	33.9	14.8	37.9	16.6	41.5	17.0	41.7	17.7	42.0	19.0	45.7
3385-3000	3.0	23	-0010 Flow (GPM)	2.9	5.3	3.8	6.8	4.7	8.1	5.2	8.9	5.4	9.2	5.6	9.6	6.2	10.6
			-0011 Flow (GPM)	5.3	5.3	6.8	6.9	8.0	8.2	8.8	9.1	9.1	9.4	9.4	9.8	10.3	10.7
			MAX THROW (FT)*	11.7	29.2	12.9	33.9	13.8	36.2	15.6	40.8	16.0	40.7	16.2	42.0	17.0	44.1
3385-3500	3.5	29	-0010 Flow (GPM)	3.7	7.4	4.9	9.7	6.1	11.5	6.7	12.6	6.9	13.1	7.2	13.5	7.9	14.6
			-0011 Flow (GPM)	7.0	7.6	9.0	9.8	10.7	11.7	11.5	12.8	11.9	13.4	12.2	13.9	12.8	15.2
			MAX THROW (FT)*	13.6	36.2	19.0	41.2	22.6	45.3	25.5	50.0	25.5	51.0	27.0	51.5	28.8	54.0
3385-4000	4.0	40	-0010 Flow (GPM)	4.2	9.5	5.6	12.1	6.8	14.4	7.5	15.8	7.7	16.5	8.0	17.1	8.7	18.7
			-0011 Flow (GPM)	8.1	9.5	10.3	12.2	12.0	14.6	13.0	16.0	13.4	16.7	13.7	17.3	14.5	19.0
			MAX THROW (FT)*	15.1	37.7	20.6	42.8	24.3	47.0	27.2	53.0	27.2	54.0	28.5	55.0	29.0	59.0
3385-4500	4.5	54	-0010 Flow (GPM)	4.8	11.5	6.2	14.9	7.4	17.9	8.2	19.7	8.5	20.5	8.8	21.2	9.4	23.2
			-0011 Flow (GPM)	9.6	11.6	11.6	15.1	13.3	18.1	14.3	19.7	14.7	20.6	15.2	21.4	16.3	23.5
			MAX THROW (FT)*	18.1	39.2	22.2	44.3	26.0	50.1	30.6	54.0	30.6	56.0	31.0	57.0	31.5	62.0
3385-5000	5.0	67	-0010 Flow (GPM)	5.4	13.1	7.0	16.8	8.4	20.2	9.2	22.0	9.6	22.8	9.6	23.8	10.7	25.9
			-0011 Flow (GPM)	10.2	13.2	12.5	17.0	14.6	20.4	15.9	22.0	16.4	23.0	17.0	23.6	18.4	25.6
			MAX THROW (FT)*	19.6	40.7	23.8	47.0	27.5	53.3	32.3	59.0	32.3	61.0	32.8	62.0	32.8	67.0
3385-5500	5.5	79	-0010 Flow (GPM)	6.0	15.0	7.7	19.2	9.3	23.1	10.2	25.4	10.6	26.5	11.0	27.6	12.0	30.5
			-0011 Flow (GPM)	10.7	15.4	13.7	20.2	16.1	24.1	17.5	26.2	18.2	27.1	18.7	28.0	20.2	29.8
			MAX THROW (FT)*	19.6	42.2	23.8	50.7	29.0	57.0	34.0	63.0	34.0	64.0	34.5	65.0	34.5	70.0
3385-6000	6.0	91	-0010 Flow (GPM)	5.9	16.6	7.6	21.0	8.6	25.6	9.2	27.8	9.6	29.0	9.7	30.1	10.2	32.0
			-0011 Flow (GPM)	11.3	17.2	14.6	21.6	16.9	25.8	18.6	28.4	19.6	29.6	20.3	30.9	21.9	34.3
			MAX THROW (FT)*	21.1	43.7	25.3	54.0	30.7	60.0	35.6	66.0	35.6	67.0	36.0	68.0	36.0	74.0
3385-7000	7.0	117	-0010 Flow (GPM)	6.7	20.0	8.8	26.2	10.8	30.5	12.1	33.4	12.6	34.7	13.2	36.0	14.8	39.1
			-0011 Flow (GPM)	12.7	19.6	16.1	25.2	19.2	29.8	20.9	32.4	21.8	33.5	22.5	34.6	24.5	37.1
			MAX THROW (FT)*	21.1	46.8	25.3	57.0	30.7	63.0	37.4	70.0	37.4	71.0	38.0	72.0	38.0	77.0

* Figures shown are guidelines for vertical throw.

** Pressures based on relief valve settings at straight throw.



HYPRO®

Pentair Water

SPRAY GROUP

375 Fifth Avenue NW • New Brighton, MN 55112
 Phone: (651) 766-6300 • 800-424-9776 • Fax: 800-323-6496
www.hypropumps.com