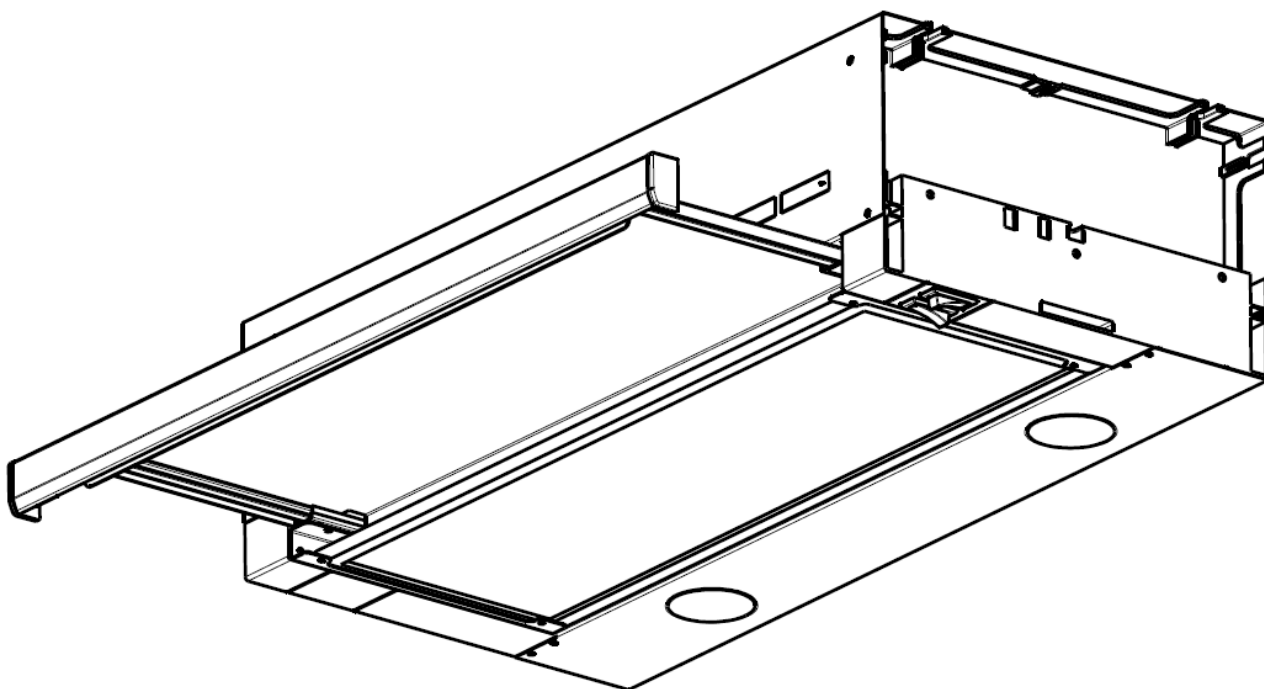
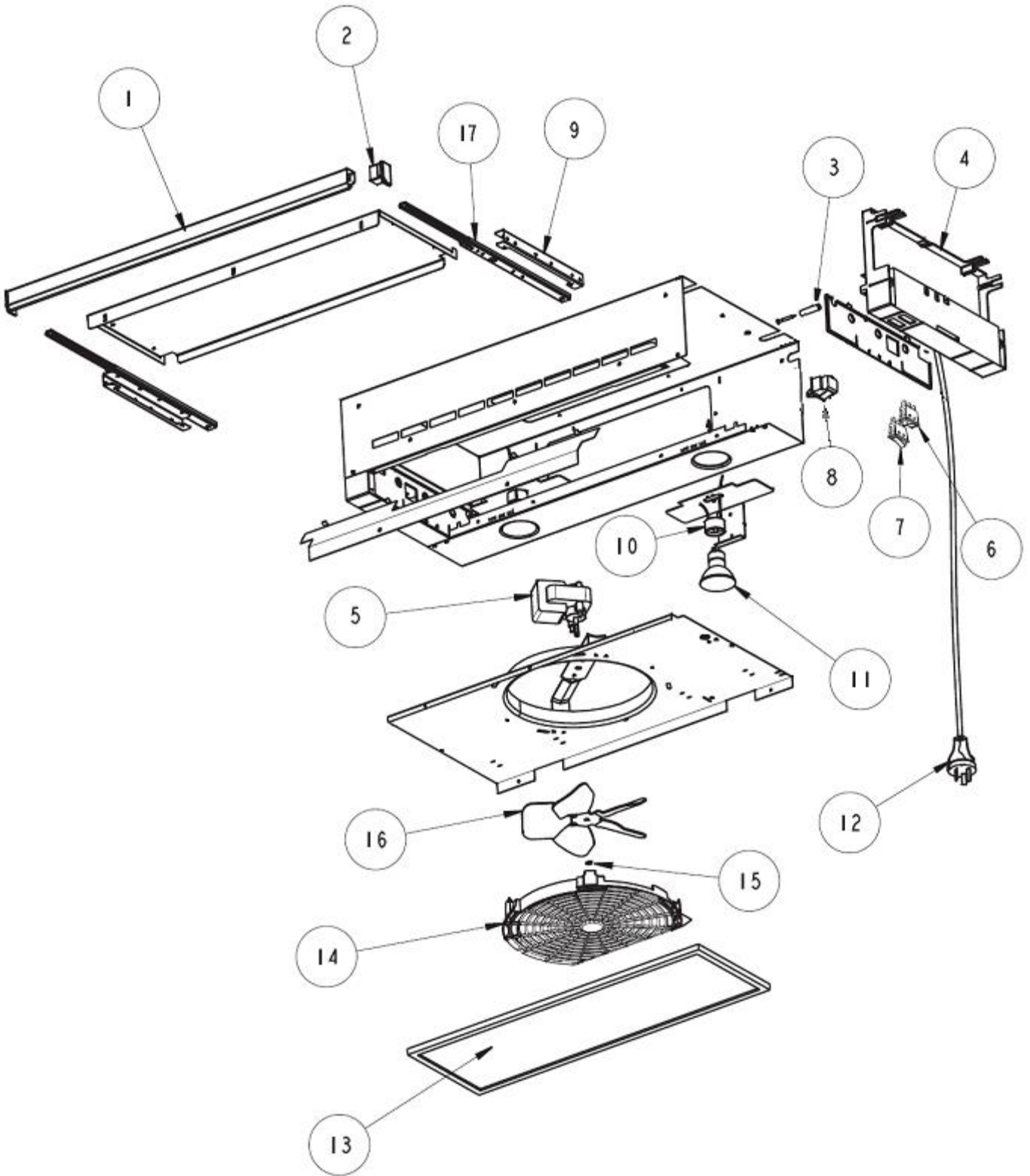


Description: **ROBINHOOD SLIDEOUT**
Model Number: **RO6WH, RO6SS, RO9WH, RO9SS**
RO61WH, RO61SS, RO91SS/WH
RO6WH80, RO6SS80
RO61SS/WH/80



Model pictured: **RO6WH/SS**

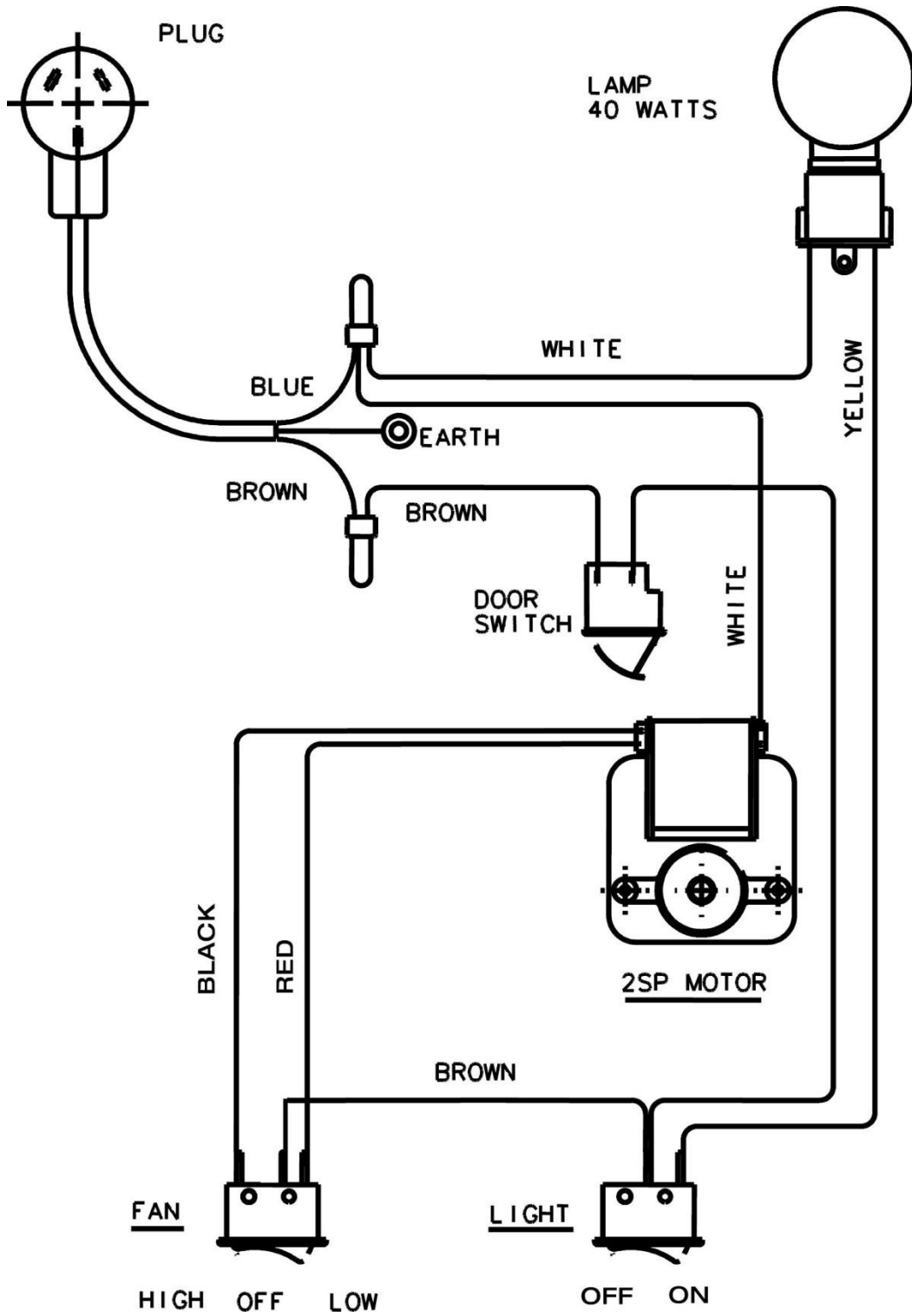
Exploded view



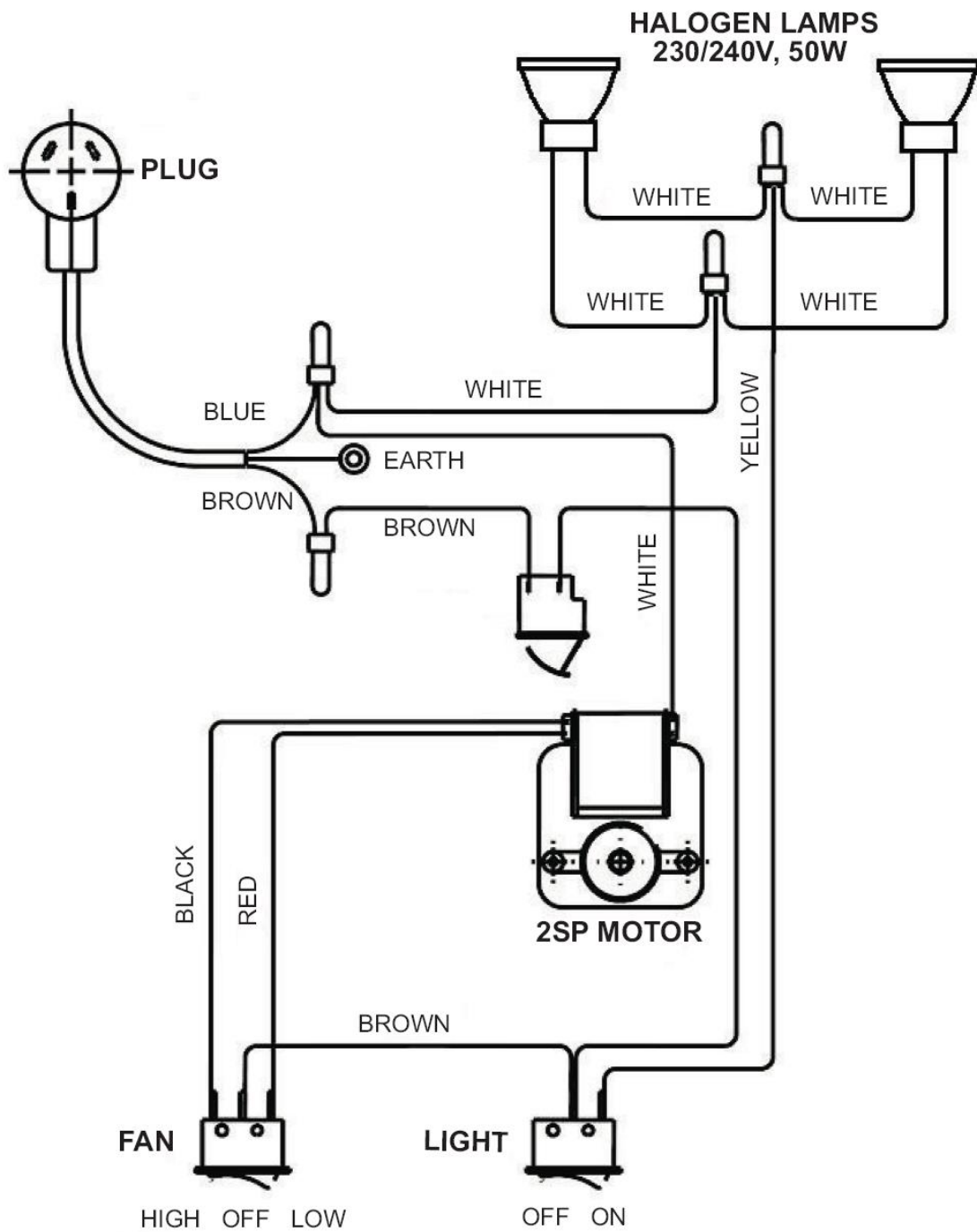
Item	Description	Part number	
		RO6WH(80) RO61WH(80)	RO6SS(80) RO61SS(80)
1	Front Handle 32mm	103774WH	103775SS
	Front Handle 80mm	103769WH	103769SS
2	End Cap 32mm (If manufactured post 31/7/09)	103778WH	103778GY
	End Cap 32mm (If manufactured between 8/9/08 and 31/7/09) – confirm colour		103778BL or 103778WH
	End Cap 32mm (If manufactured pre 8/9/08)		103778BL
	End Cap 80mm(If manufactured post 31/7/09)	103677WH	103677GY
	End Cap 80mm (If manufactured between 8/9/08 and 31/7/09) – confirm colour		103677WH or 103677BL
	End Cap 80mm (If manufactured pre 8/9/08)		103677BL
3	Side Fixing Screw and Hollow Dowel Kit (4 pieces)	111053	
4	Side plastic kit includes both sides, inner covers and rocker switches (If manufactured post 31/7/09)	111048	111049
	Side plastic as above (If manufactured between 8/9/08 and 31/7/09) – confirm colour		111048 or 111049
	Side plastic kit as above (If manufactured pre 8/9/08)		111049
5	Motor – 2 speed axial	103673	
6	Light Switch (If manufactured post 31/7/09)	115015	115017
	Light Switch (If manufactured between 8/9/08 and 31/7/09) – confirm colour	103892	103892 or 103894
	Light Switch (If manufactured pre 8/9/08)	103892	103894
7	Fan Switch (If manufactured post 31/7/09)	115016	115018
	Fan Switch (If manufactured between 8/9/08 and 31/7/09) – confirm colour	103893	103893 or 103895
	Fan Switch (If manufactured pre 8/9/08)	103893	103895
8	Door Switch	102686	
9	Slider Bracket (If manufactured post 31/7/09)	103358WH	103358WH
	Slider Bracket (If manufactured between 8/9/08 and 31/7/09) – confirm colour		103358WH or 103358BL
	Slider Bracket (If manufactured pre 8/9/08)		103358BL
10	Halogen lamp holder (If manufactured post 21/4/08)	111021	
	Halogen lamp holder (If manufactured between 24/11/08 and 18/12/08)	111075	
	Incandescent lamp holder (If manufactured pre 21/4/08)	101104	
11	Halogen Lamp (If manufactured post 21/4/08)	111020	
	Incandescent Lamp (If manufactured pre 21/4/08)	102722	
NS	Incandescent lamp diffuser (If manufactured pre 21/4/08)	103125	
12	Power Cord	103821	
13	Filter Aluminium Mesh 508 x 172	103794	
	Filter Charcoal 508 x 172	14951	
14	Finger Guard	103943	
15	E-Clip	999084	
16	Fan Blade	102283	
17	Sliding track (If manufactured post 31/7/09)	114350	
	Sliding track (If manufactured pre 31/7/09)	102245	

Item	Description	Part number	
		RO9WH RO91WH	RO9SS RO91SS
1	Front Handle 32mm	Not available	103777SS
2	End Cap (<i>If manufactured post 31/7/09</i>)	103778WH	103778GY
	End Cap (<i>If manufactured between 8/9/08 and 31/7/09</i>) – confirm colour		103778BL or 103778WH
	End Cap (<i>If manufactured pre 8/9/08</i>)		103778BL
3	Side Fixing Screw and Hollow Dowel Kit (4 pieces)	111053	
4	Side plastic kit includes both sides, inner covers and rocker switches (<i>If manufactured post 31/7/09</i>)	111048	111049
	Side plastic as above (<i>If manufactured between 8/9/08 and 31/7/09</i>) – confirm colour		111048 or 111049
	Side plastic kit as above (<i>If manufactured pre 8/9/08</i>)		111049
5	Motor – 2 speed axial	103673	
6	Light Switch (<i>If manufactured post 31/7/09</i>)	115015	115017
	Light Switch (<i>If manufactured between 8/9/08 and 31/7/09</i>) – confirm colour	103892	103892 or 103894
	Light Switch (<i>If manufactured pre 8/9/08</i>)	103892	103894
7	Fan Switch (<i>If manufactured post 31/7/09</i>)	115016	115018
	Fan Switch (<i>If manufactured between 8/9/08 and 31/7/09</i>) – confirm colour	103893	103893 or 103895
	Fan Switch (<i>If manufactured pre 8/9/08</i>)	103893	103895
8	Door Switch	102686	
9	Slider Bracket (<i>If manufactured post 31/7/09</i>)	103358WH	103358WH
	Slider Bracket (<i>If manufactured between 8/9/08 and 31/7/09</i>) – confirm colour		103358WH or 103358BL
	Slider Bracket (<i>If manufactured pre 8/9/08</i>)		103358BL
10	Halogen lamp holder (<i>If manufactured post 21/4/08</i>)	111021	
	Halogen lamp holder (<i>If manufactured between 24/11/08 and 18/12/08</i>)	111075	
	Incandescent lamp holder (<i>If manufactured pre 21/4/08</i>)	101104	
11	Halogen Lamp (<i>If manufactured post 21/4/08</i>)	111020	
	Incandescent Lamp (<i>If manufactured pre 21/4/08</i>)	102722	
NS	Incandescent lamp diffuser (<i>If manufactured pre 21/4/08</i>)	103125	
12	Power Cord	103821	
13	Filter Aluminium Mesh 808 x 172	103795	
	Filter Charcoal 808 x 172	1496	
14	Finger Guard	103943	
15	E-Clip	999084	
16	Fan Blade	102283	
17	Sliding track (<i>If manufactured post 31/7/09</i>)	114350	
	Sliding track (<i>If manufactured pre 31/7/09</i>)	102245	

Wiring diagram - For models manufactured before the 21st April 2008



Wiring diagram - For models manufactured after the 21st April 2008



New Zealand

Parbury (NZ) Limited
Telephone: 0800 760 667
Facsimile: 0800 276 246
Email: enquiries@robinhood.co.nz
www.robinhood.co.nz

Australia

Parbury Pty Limited
(ABN 83 004 568 138)
Telephone: 1800 648 556
Facsimile: 1800 628 577
Email: enquiries@robinhood.com.au
www.robinhood.com.au