

# you got this!



Watch our helpful how-to videos where  
we take you through the build step by step.  
Need help? [help@mustardmade.com](mailto:help@mustardmade.com)

Love your locker? Share it!  
[@mustardmade](#) [#mustardmade](#)



How to build

# The Mixer

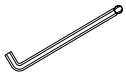
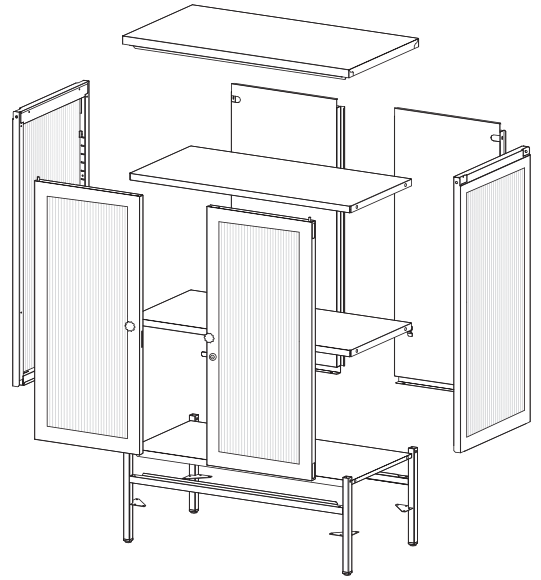
Your glass locker is ready to shine! We're here to take you through the build step by step. You'll be admiring your beautiful new Mixer very soon, so get ready, let's do this!



Watch our helpful how-to videos where we take you through the build step by step.



Learn more about securely attaching the product to the wall using the correct fittings (not provided).



1 x hex key



30 x hex screws



2 x bolt screws



2 x handle screws



4 x corner brackets



2 x wall brackets



8 x shelf brackets



1 x door bolt



2 x handles



1 x set of keys



1 x keyring



2 x posts



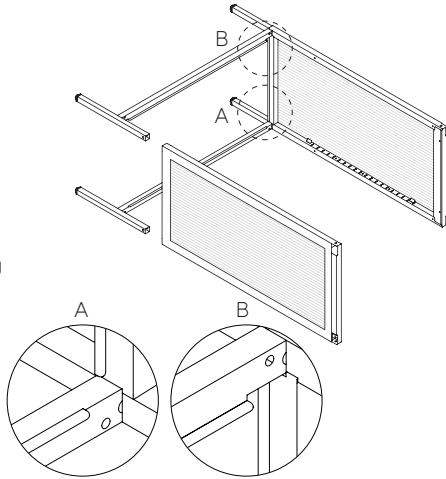
2 x large washers



2 x small washers

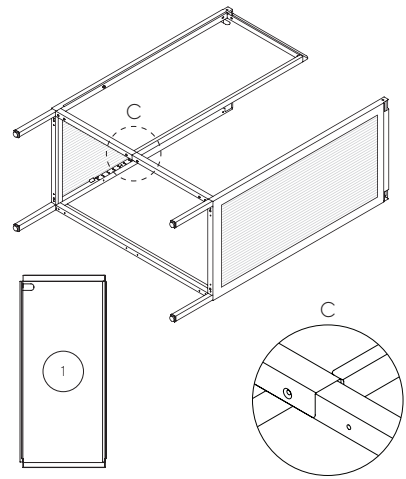
**1**

Slide the side panels onto the legs. Make sure the folded lip on each leg is facing inwards.



**2**

Place back panel 1 onto the leg frame + side panel. You'll need a helper to support the panel at the top.

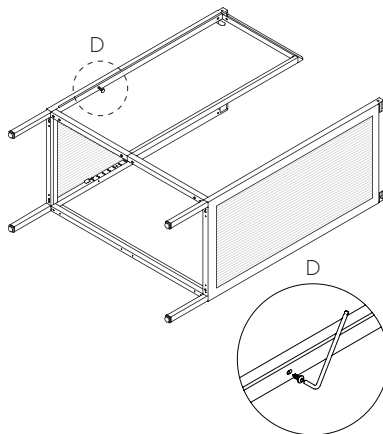


**3**

**Grab your hex key!**

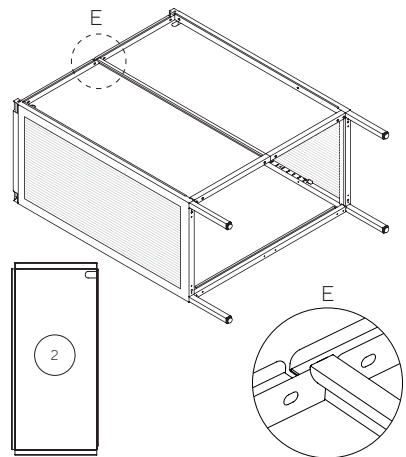
Screw back panel 1 to the side panel at the bottom hole only.

1 x 



**4**

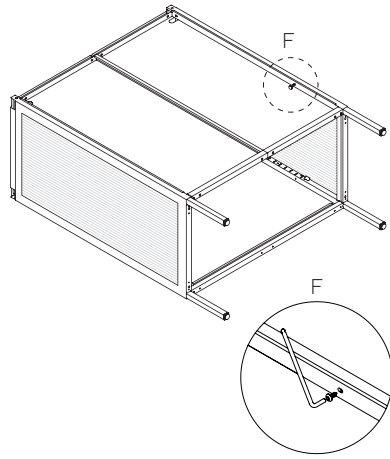
Place back panel 2 on, hooking over the other back panel.



5

Screw back panel 2 to the side panel at the bottom hole only.

1 x 

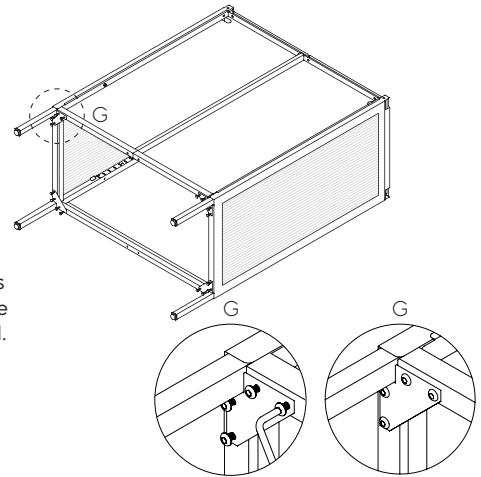


6

Loosely attach the corner brackets around the leg with all 4 screws.

Once all 4 screws are aligned, these can be tightened.

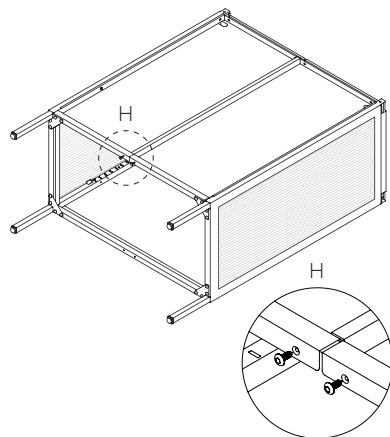
16 x 



7

Screw the back panels to the leg frame with 2 screws at the bottom.

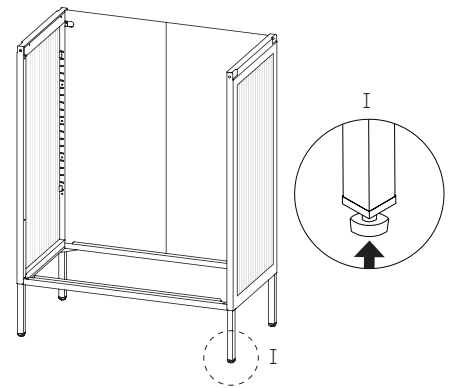
2 x 



8

Make sure the adjustable feet are tightened all the way in. Adjust the level at the end if you need to.

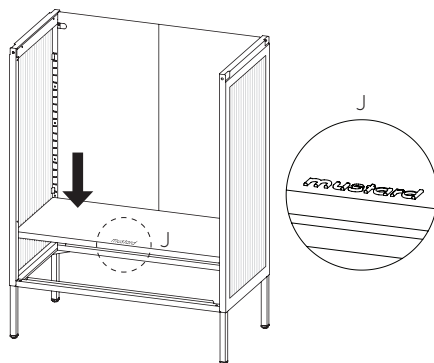
Carefully stand the locker upright. Take extra care of the back panels.



9

Add the base panel, starting at the back.

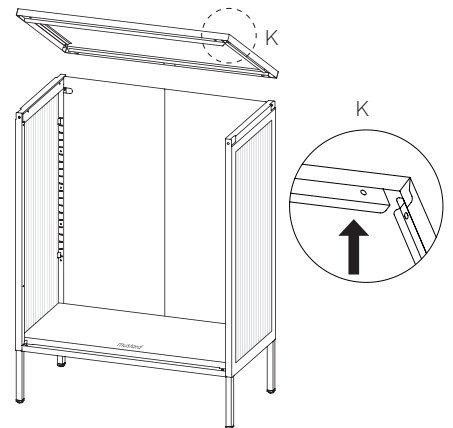
The 'Mustard' logo goes at the front.



10

Starting at the back, place the top panel on. The lip goes at the front.

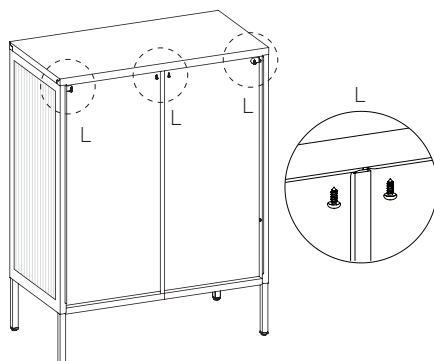
Check that the sides + back panels are slotted in correctly. Push the top panel in place.



11

Screw the back panels to the top.

4 x 

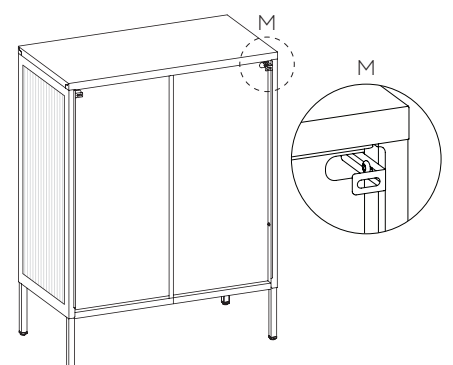


12

Attach the wall brackets to the locker.

Screw through the wall bracket to attach them to the locker.

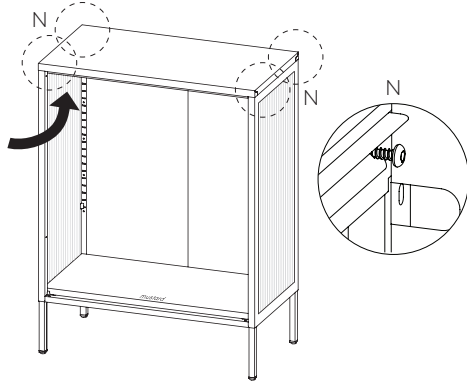
2 x 



13

Screw both the side panels to the top from the inside.

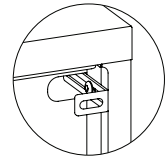
4 x 



14

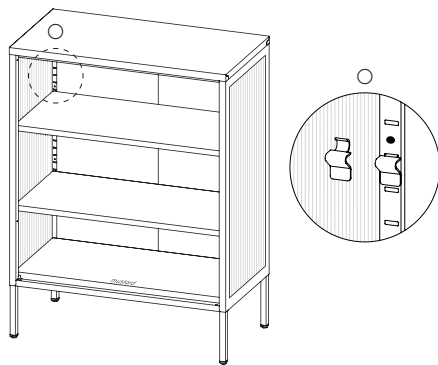
Now it's time to secure the locker to the wall! Adjust the position of the wall brackets to secure the locker to the wall.

Please ensure you use the correct fixings for your wall. These are not provided so if you're unsure, consult a qualified tradesperson for advice. Scan the QR code to learn more about securely attaching the product to the wall.




15

Once your locker is attached to the wall, add the brackets + place the shelves on top. Use the dots to help space the shelves.

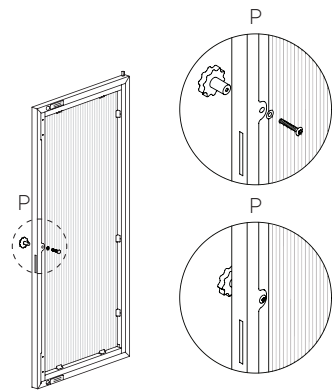


16

 **Grab your screwdriver!**

Use your screwdriver to attach the handles, using the long handle screws + small washers.

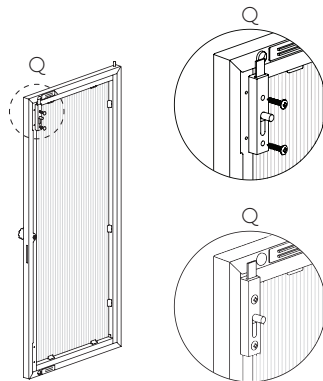
2 x 



17

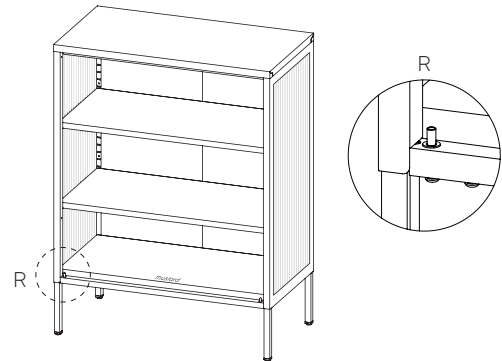
Use your screwdriver to attach the door bolt using the two bolt screws. The door bolt goes on the left door.

2 x 



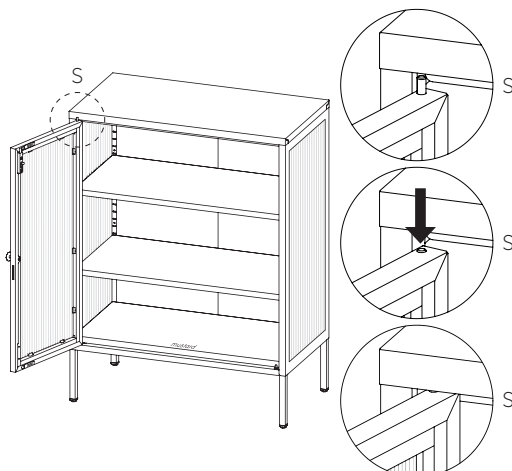
18

Insert the post + large washer into the hole in the leg.



19

Slide the doors down onto the bottom posts. Push down the spring posts at the top + click into place.



20

**Nice work!**  
That Mixer met her perfect match in you!



P.S pop the spare key in a safe spot just in case!

