



mustard

How to build

# The Ledge

Size: Small

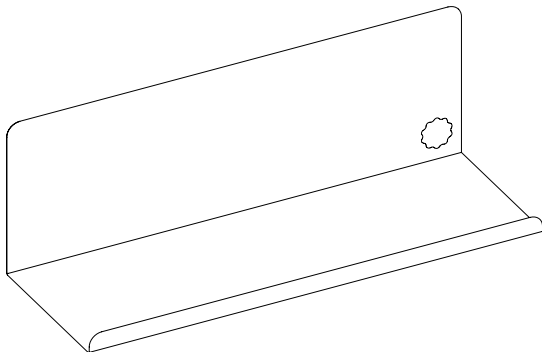
We've designed our shelves to be beautifully simple to install. All you need is a drill for the bracket, and the rest just slots into place!



Watch our helpful how-to videos where we take you through the process step by step.

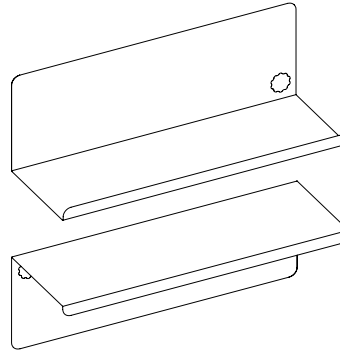


Learn more about securely attaching the product to the wall using the correct fixings (not provided).



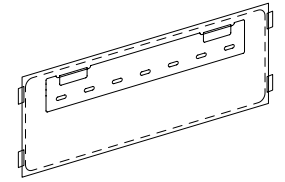
1

Decide which way you want your Ledge to sit on the wall - it works two ways!




2

Use the helpful wall template to decide where you want your shelf. Check the template is level and you are happy with the position.

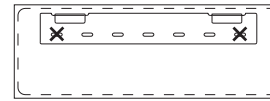


3

 **Grab your drill!**

There are lots of slots to help you align with the wall studs or to find the best spot for your shelf.

Drill at least 2 holes spaced as far apart as possible.

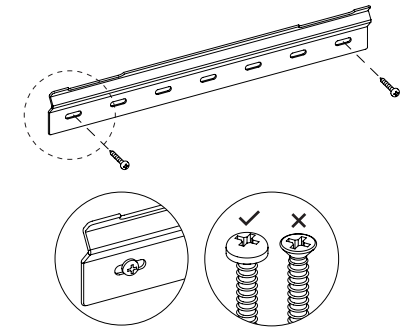


Please ensure you use the correct fixings for your wall. These are not provided so if you're unsure, consult a qualified tradesperson for advice.

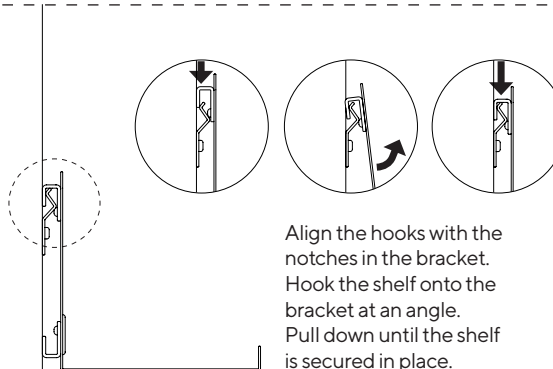
4

Attach the bracket to the wall.

We recommend using dome head screws, not countersunk screws.



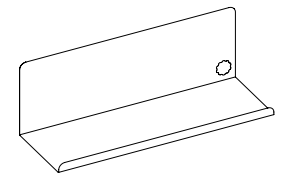
5



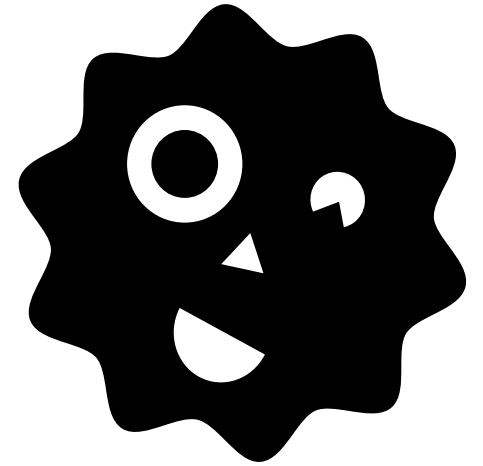
Align the hooks with the notches in the bracket. Hook the shelf onto the bracket at an angle. Pull down until the shelf is secured in place.

6

**You're a legend!**  
Now it's time to style your favourite bits + pieces on your brand new Ledge.



# you got this!



Watch our helpful how-to videos where  
we take you through the process step by step.  
Need help? [help@mustardmade.com](mailto:help@mustardmade.com)

Love your Ledge? Share it!  
[@mustardmade](#) [#mustardmade](#)

