

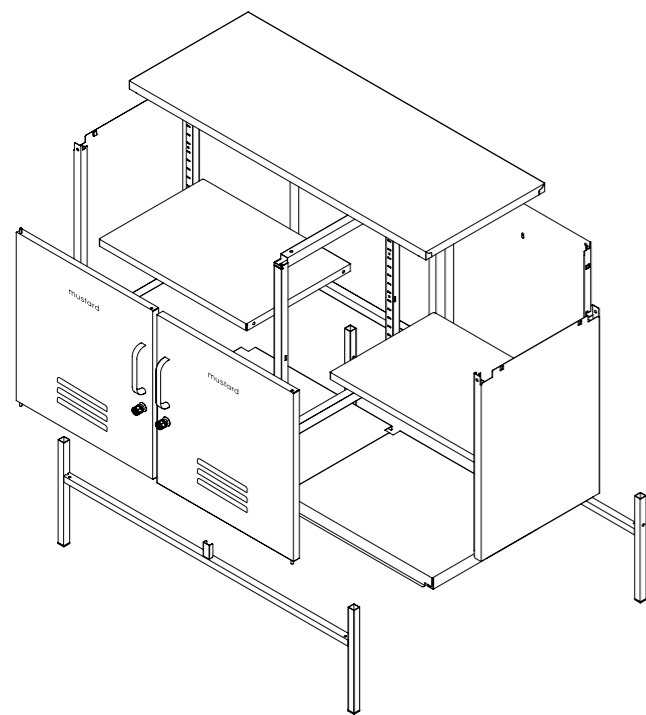


How to build The Lowdown

Mustard lockers are beautifully designed to make putting them together simple + argument free! No tears + no allen keys! All you need to get started is a **phillips head screwdriver!**

We've made a video taking you through the build step by step. Watch it here: mustardmade.com/build-it. It's easy, you got this!

We recommend you attach the locker to the wall to prevent tipping + causing injury. Use the extra screws + plugs to screw through the two holes in the back panel (as required for your wall).



- 8 x brackets
- 2 x posts
- 2 x large washers
- 2 x L shape posts
- 4 x screws
- 4 x small washers
- 2 x handles
- 2 x sets of keys (attached to door)
- 2 x keyrings

1

A

B

Stand both legs up + push the side panels down onto the legs.

TIP: make sure the legs face the right way!

2

C

Slide the middle frame onto the legs.

TIP: the slots go at the top!

3

Push the back panels into place, starting at the bottom.

4

D

D

Fold down the tabs on the four corners of the back panels.

5

E

F

Add the bases, starting at the front. Push the bases down into place.

6

G (underside)

H

Add the top panel starting at the front. (You might need an extra pair of hands for this bit!)

TIP: the top should sit in the slot in the middle frame.

7

I

Click from all angles that the side + back panels are slotted in correctly.

Click the top into place.

8

J

Add the brackets + place the shelves on top. Use the round holes to help you measure the height.

9

K

Insert the post + large washer in the hole in the leg.

10

L

Slide the door down onto the post.

At the top of the door, insert the L shape post up into position through the holes. Bend the tab up.

11

M

Add the second door.

Grab your screwdriver!

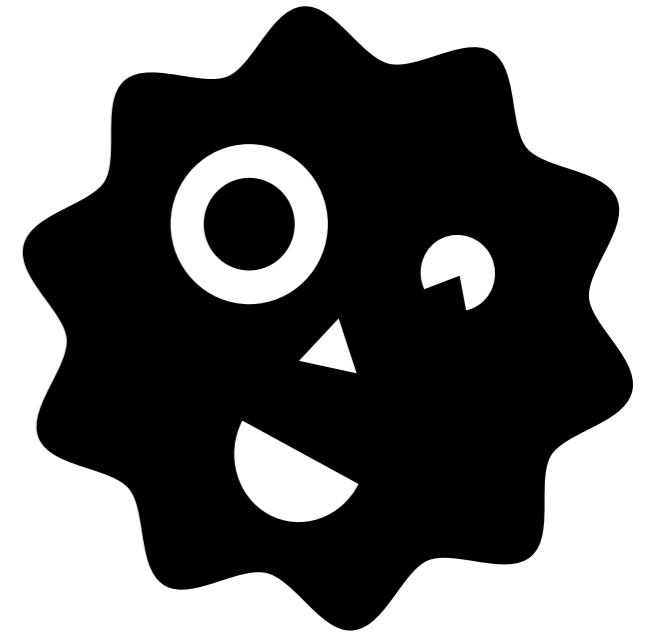
Use your screwdriver to attach the handles with the small screws + small washers.

12

You're amazing!
Pat yourself on the back + fill your locker with things.

P.S. pop the spare keys in a safe spot just in case!

**you got
this!**



We made you a 'how to' video:
mustardmade.com/build-it
Need help? help@mustardmade.com

love your locker?
Share it: [#mustardmade](https://twitter.com/mustardmade)