



Personalisation
* denotes required field

Full Name*

Email*

Phone*

Delivery Address*

Prescribing Therapist (if applicable).

IF FUNDED BY THE NDIS:

NDIS Number

Plan Start Date

Plan End Date

Date of Birth

Funding Category

NOTES



Personalisation

* denotes required field

FRAME STYLE

Frame Style

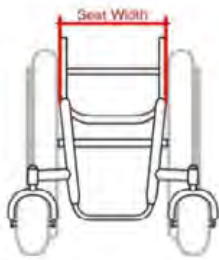
Lasher Sport BT-Beach (\$8,392)
Dedicated beach wheelchair

FRAME DIMENSIONS

Seat Width (See Diagram below)

Measure from outside of seat tube to outside of opposite seat tube.

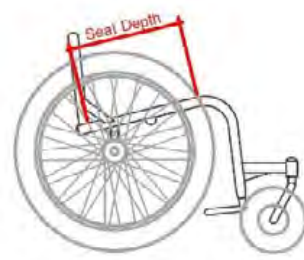
- 14" (35.5cm)
- 15" (38.1cm)
- 16" (40.6cm)
- 17" (43.2cm)
- 18" (45.7cm)
- 19" (48.3cm)



Seat Depth (See Diagram below)

Measure from front of backrest post to front edge of seat sling.

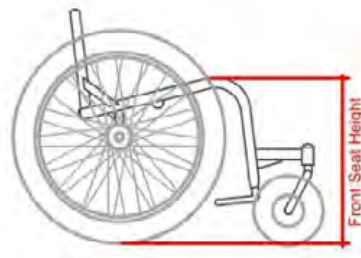
- 14" (35.5cm)
- 15" (38.1cm)
- 16" (40.6cm)
- 17" (43.2cm)
- 18" (45.7cm)
- 19" (48.3cm)



Front Seat Height (See Diagram below)

Measure from floor to top of front seat rail.

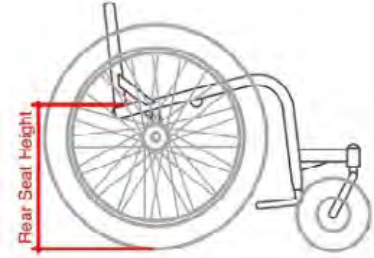
- 17" (35.5cm)
- 17.5" (38.1cm)
- 18" (40.6cm)
- 18.5" (43.2cm)
- 19" (45.7cm)
- 19.5" (48.3cm)
- 20" (35cm)
- 20.5" (38.1cm)
- 21" (40.6cm)



Rear Seat Height (See Diagram below)

Measure from floor to top of back seat rail.

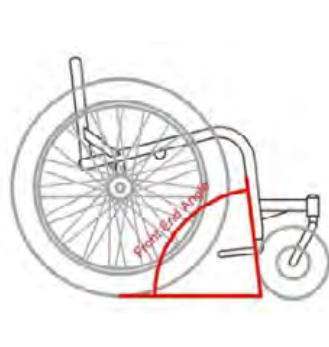
- 16" (35.5cm)
- 16.5" (38.1cm)
- 17" (40.6cm)
- 17.5" (43.2cm)
- 18" (45.7cm)
- 18.5" (48.3cm)
- 19" (35cm)
- 19.5" (38.1cm)
- 20" (40.6cm)



Front End Angle (See Diagram below)

Measure the angle from the floor to the down tube.

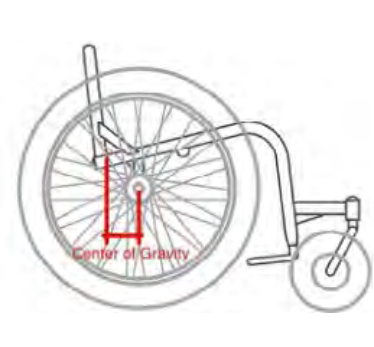
- 80°
- 85°
- 90°
- 95°



Rear Axle Center of Gravity (See Diagram below)

Measure from front of backrest post to center of axle.

- 1.0" (2.5cm)
- 1.5" (3.8cm)
- 2.0" (5.0cm)
- 2.5" (6.4cm)
- 3.0" (7.6cm)
- 3.5" (8.9cm)
- 4.0" (10.2cm)
- 4.5" (11.4cm)





Personalisation

* denotes required field

**BT-BEACH
ORDER FORM**

FRAME DIMENSIONS CONTINUED

Wheel Camber (See Diagram below)

Wheel Camber is set at 2°

2°



Rear Wheel Offset (See Diagram below)

Measure from outside of backrest post to inside of tire.

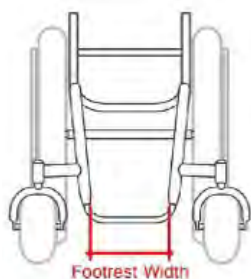
- .75" (1.9cm)
- 1.00" (2.5cm)
- 1.25" (3.2cm)
- 1.50" (3.8cm)



Footrest Width (See Diagram below)

Measure from inside of footrest post to inside of opposite footrest post.

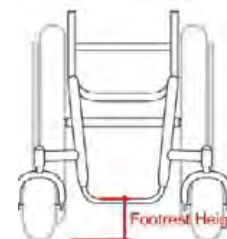
- 10.0" (25.4cm)
- 10.5" (26.7cm)
- 11.0" (27.9cm)
- 11.5" (29.2cm)
- 12.0" (30.5cm)
- 12.5" (31.8cm)
- 13.0" (33.0cm)
- 13.5" (34.3cm)
- 14.0" (35.6cm)



Footrest Height (See Diagram below)

Measure from floor to top of footrest. (adjustable)

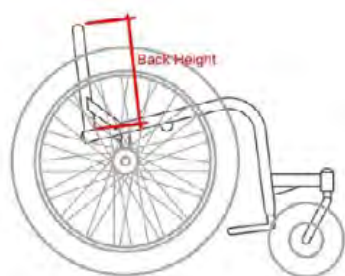
- 2.0" (5.0cm)
- 2.5" (6.4cm)
- 3.0" (7.6cm)
- 3.5" (8.9cm)
- 4.0" (10.2cm)
- 4.5" (11.4cm)
- 5.0" (12.7cm)
- 5.5" (14.0cm)
- 6.0" (15.2cm)



Front Seat Height (See Diagram below)

Measure from floor to top of front seat rail.

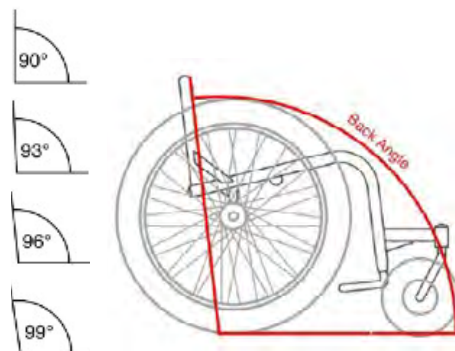
- 12.0" (30.5cm)
- 12.5" (31.8cm)
- 13.0" (33.0cm)
- 13.5" (34.3cm)
- 14.0" (35.6cm)
- 14.5" (36.8cm)
- 15.0" (38.1cm)
- 15.5" (39.4cm)
- 16.0" (40.6cm)
- Other _____



Back Angle (See Diagram below)

Measure from the angle from floor to the back tube.

- 90°- vertical
- 93°- 3° recline
- 96°- 6° recline
- 99°- 9° recline
- Other _____



Personalisation
* denotes required field



**BT-BEACH
ORDER FORM**



Lasher BT-Beach
Revised
February 2021

CHAIR OPTIONS AND ACCESSORIES

Footrest Style

Open Loop Tube- No Charge



Aluminum Plate- \$378



Open Loop Double Tube- Option- \$210



Carbon Plate- \$664



Plastic Plate- \$273



Front Casters & Forks

9.5" (24cm) diameter x 5" (12.7cm) wide, low psi, beach casters with Lasher Sport forks



Rear Wheels & Tires

26" (559) x 100mm rims, custom built at the Lasher Sport shop with fat tires with low tire pressure for superior sand flotation.

Fat Tire- 3.8" (9.7 cm)
* Standard width



Extra Fat Tire- 4.7" (11.9 cm)- \$412
* Extra flotation across sand, but increases overall width significantly.



Hand Rims

* All hand rims are 26" (590) size size

Hard Anodized - No Charge



Natural Fit Q-Grip- Option- \$496
* Neoprene Coated hand rim



Natural Fit- \$630
* Thumb ring unavailable



Natural Fit LT - \$630
* Thumb ring unavailable



Personalisation

* denotes required field



**BT-BEACH
ORDER FORM**



Lasher BT-Beach
Revised
February 2021

CHAIR OPTIONS AND ACCESSORIES - CONTINUED

Wheel Locks

Omit Wheel Locks— No Charge

Compact Composite scissor locks— \$496

Side Guards

* Side guards will be finished with the same finish and color as the main frame.

None— No Charge

Aluminum, bolted— \$664

Aluminum, quick release— \$916

Backrest Style

Fixed (welded), non-folding

— No Charge

Folding, non-locking— \$328

Folding, locking— \$378

Seat Upholstery

Sling Style— No Charge

* Waterproof mesh fabric

Tension Cord— \$378

* Tension adjustable, waterproof laminate

Seat Cushion

None— No Charge

Basic Foam— \$277

* Not water proof and can absorb water.

Supracor Stimulite Silver— \$546

* Won't absorb water. Easier to clean.

Back Upholstery

Sling Style— No Charge

* Waterproof mesh fabric

Tension Cord— \$378

* Tension adjustable, waterproof laminate

Back Pad Style

None— No Charge

* Waterproof mesh fabric

Foam— \$277

(standard with tension cord)

* Not water proof and can absorb water.

Supracor honeycomb core— \$546

* Won't absorb water. Easier to clean.

Push Handles

None— No Charge

Curved Post Top- Fixed— \$260

* Requires welded or locking back.

Aluminum- Removable— \$496

* Requires welded or locking back.

Calf Strap

None— No Charge

Nylon Strap- 2" wide— \$176

Frame Bumpers

None— No Charge

Neoprene Frame Bumpers— \$210

Frame Caps

* Rounded caster caps are standard.

Silver— No Charge

Black Anodized— \$328

Embroidery

* Backrest embroider is sewn into backrest back flap.

Omit— No Charge

Standard— No Charge

Custom— \$496 and up
depending on design

* Computer file must be sent
in for accurate quote.



Personalisation
* denotes required field

FRAME FINISH - COLOR OPTIONS

Powder Coat Finish— No Charge

* Powder coat is a baked on finish.

* Colors and shades can look different than the samples below.

| | | | |
|--------------------------------|--|------------------------------|--|
| Gloss White PSS-5690 | | Sunshine Yellow PSS-2600 | |
| Heritage Cream HSS-1846 | | Honda Yellow PMB-1657 | |
| Satin Titanium UMB-1860 | | Neon Yellow PSS-1104 | |
| Heavy Silver PMS-517 | | Energy Green PSB-6669 | |
| Galaxy Silver PMB-4936 | | Racer Green PSS-4531 | |
| Mega Grey PMB-6831 | | Tractor Green PSS-4517 | |
| Gloss Black USS-2603 | | Signal Green PSS-2786 | |
| Royal Maroon PSB-5076 | | Army Green PSB-4944 | |
| Vampire Red PSS-3013 | | Tropical Breeze PSS-6837 | |
| Really Red PSS-4416 | | Miami Teal PSB-6532 | |
| Flame Red PSS-5082 | | Bic Blue PSB-6932 | |
| Sweet Raspberry PSB-6896 | | Deere Blue PSB-4785 | |
| Striker Orange PPS-4750 | | Ford Dark Blue PSB-4624 | |
| Harley Orange PMB-2829 | | Sinbad Purple PSS-1676 | |
| Indy Orange PPB-6513 | | Sweet Plum PSS-1054 | |
| Caterpillar Yellow PSS-2550 | | Whimsy Pink PSS-0874 | |
| Hot Yellow PSS-1623 | | Lazer Polka Pink PMB-2340 | |

Anodized Finish— \$2,176

* Anodizing is a more corrosion resistant finish than powder coat.

* Colors and shades can look different than the samples below.

| | | | |
|----------------|--|-----------|--|
| Silver (clear) | | Violet | |
| Gun Metal | | Soft Pink | |
| Black | | Hot Pink | |
| Mahogany | | | |
| Red | | | |
| Orange | | | |
| Copper | | | |
| Yellow Orange | | | |
| Gold | | | |
| Light Green | | | |
| Green | | | |
| Olive | | | |
| Blue Green | | | |
| Teal | | | |
| Steel Blue | | | |
| Cobalt | | | |
| Purple | | | |