



Personalisation

Lasher ATH-FS Form
Revised
March 2021

* denotes required field

Full Name*

Email*

Phone*

Delivery Address*

Prescribing Therapist (if applicable).

IF FUNDED BY THE NDIS:

NDIS Number

Plan Start Date

Plan End Date

Date of Birth

Funding Category

NOTES

Personalisation

* denotes required field

Lasher ATH-FS Form
Revised
March 2021



**ATH-FS
ORDER FORM**



Frame Style

- Lasher Sport ATH-FS.1 - All Terrain Handcycle (\$17,513) Entry level
- Lasher Sport ATH-FS.2 - All Terrian Handcycle (\$20,141) Mid level
 - Upgraded Front and rear wheel shocks (Fox Float DPS Factory)
 - Upgraded cassette (Sunrace 11-51T)
 - Upgraded derailleur (Shimano XTR)
- Lasher Sport ATH-FS.3 – All Terrian Handcycle (\$22,770) High end
 - Upgraded Front and rear wheel shocks (Fox Float DPX2 Factory)

Seat Width / Rear Wheel Width (Seat Width is measured from inside of seat rails)

Seat Width- 16" (40.6cm), Rear Wheel Width- 33" (83.8cm)

Seat Depth (Measure from front of backrest post to front edge of seat sling)

Adjustable: 14" (35.5cm) - 18" (45.7cm)

Back Height* (Measured from seat base to top of backrest)

- 18" (45.7cm) - Standard
- 22" (55.9cm) (+ \$691)

Backrest Angle (Angle measured from floor plane to back plane)

Adjustable: 70° - 90°

Footrest Style

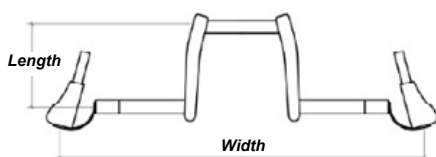
Adjustable with padded ankle slings and Velcro ankle restraints

Upholstery

Seat: Tension Strap, Back: Tension Strap with 1.25" (3.2cm) foam padding

Crank Arms*

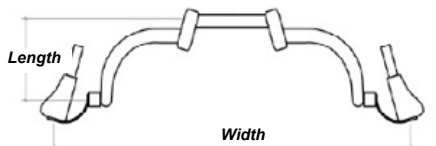
Width by crank extenders - Standard



* Less leg clearance with this method vs 'Bull Horn' Style.

Width - 23.5" (60cm)
Length - 6.8" (170mm)

Optional: Custom Welded 'Bull Horn' (+\$867)



*Powder Coated to match frame color.

Width - 25" (63.5cm)
Length - 7.25" (185mm)

Crank Handles*

- Ergo Grips, Standard
- Quad Grips, Optional - (+\$1,218)
- *May require additional cost depending on setup.

Personalisation

* denotes required field

Lasher ATH-FS Form
Revised
March 2021



**ATH-FS
ORDER FORM**



Components (Components below may be substituted for equal or greater value components depending on availability)

Shift Lever(s) - Shimano SLX 12-speed shifter (2x12 standard, 1x12 with mid-mount motor option)

Cassette - The ATH-FS.1 has the Sunrace 11-50T, the ATH-FS.2 and ATH-FS.3 upgrade to Sunrace 11 – 51T

Crank - Shimano SLX (Integrated Crank with mid-mount motor option)

Derailleur - The ATH-FS.1 has the Shimano SLX, the ATH-FS.2 and ATH-FS.3 upgrade to Shimano XTR

Chain - KMC | **Headset** - Cane Creek 40

Front and rear Wheel Shocks - The ATH-FS.1 has the Fox Float DPS Performance, the ATH-FS.2 upgrade to the Fox Float DPS Factory and the ATH-FS.3 upgrade to the Fox Float DPX2 Factory

Front Wheel Brake - TRP Quadrium

Rear Brakes - Tektro with lockout lever

Wheel Set* (Wheel Set selection must be compatible with Fork and Tire Size below)

Wire wheel with 6 bolt disc - Standard (fork compatible with 26", 27.5", and 29er wheel sizes. Not compatible with plus and fat tire sizes. Not for eMotor)

Custom Built Fat and Plus Tire Wheel with 6 bolt disc - Optional, +\$2,795 (fork compatible with 26" Fat Tire, or 27.5"+ and 29er+ wheel sizes)
Custom Built Spoke Colour: Silver Black ***(required for 1000watt Electric Power System)**

Fork and Tire Size*

(Fork and Tire Size selection must be compatible with Wheel Set selection above. We may substitute tire model with comparable tire, see your invoice)

26" (559) - Standard

Maxxis Ikon- 26" x 2.2"- Standard

Maxxis High Roller II- 26" x 2.25"- NCO

Schwalbe Hans Dampf- 26" x 2.35"- (+\$219)

26" (559) Fat Tire - Optional (+\$1,393) Custom Built Fat and Plus Tire Wheel option required**

Maxxis Minion 26" x 4.0"- Standard

Maxxis Colossus- 26" x 4.8"- NCO

27.5" (650B) - Optional (+\$867)

Maxxis High Roller II- 27.5" x 2.1"- Standard

Maxxis Minion DHR- 27.5" x 2.3"- NCO

Schwalbe Hans Dampf- 27.5" x 2.35"- (+\$219)

27.5"+ (650B)- Optional (+\$1,043) Custom Built Fat and Plus Tire Wheel option required**

Maxxis High Roller II Plus- 27.5" x 3.0"- Standard

Maxxis Minion- 27.5"+ x 3.8"Front, 3.0Rear- NCO

29er (700C)- Optional (+\$867)

Maxxis Rekon- 29er x 2.25"- Standard

Maxxis High Roller II- 29er x 2.3"- Standard

Schwalbe Hans Dampf- 29er x 2.35"- +\$219

29er+ (700C) - Optional (+\$1,043) Custom Built Fat and Plus Tire Wheel option required**

Maxxis Rekon Plus- 29er+ x 2.8"- Standard

Maxxis Minion- 29er+ x 3.0"- NCO

Maxxis Chronicle- 29er+ x 3.0"- NCO

Tube / Tubeless Setup*

Tubes - Standard

Tubeless - Stan's No Tube System, (+\$394)



Personalisation

* denotes required field

Lasher ATH-FS Form
Revised
March 2021

Power Option*

NO optional power system - Standard

250watt Road Legal Electric Power System, mid-mount, Optional - (+\$5248)

250 Watt Motor | 17.4Ah (840Wh) Battery | Color Display
Throttle (engages from stopped) | 6 Boost settings
System Mounting hardware, Charger, Install, and configuration

*Custom Built Fat and Plus Tire Wheel with 6 bolt disc required for power system

1000watt Electric Power System, mid-mount, Optional - (+\$5,248)

1000 Watt Motor | 17.4Ah (840Wh) Battery | Color Display
Throttle (engages from stopped) | 6 Boost settings
System Mounting hardware, Charger, Install, and configuration

*Custom Built Fat and Plus Tire Wheel with 6 bolt disc required for power system

Accessories*

Flag with mount - (+\$342)

Click Strap Seat Belt - (+\$429)

Seat Cushion - Contoured Foam - (+\$307)

*Standard handcycle includes back rest cushion, but does not include seat cushion.

UHMW Under Frame Skid Plate - (+\$692)

Rear Mount Platform Rack - (+\$867)

*Powder Coated to match frame, or request colour (requested colour may add additional cost).

Rear Mount Platform Rack w/ Wheelchair Carrier Attachment - (+\$1568)

*Powder Coated to match frame, or request colour (requested colour may add additional cost).

Rear Mount Basket Style Rack - (+\$1,393)

*Powder Coated to match frame, or request colour (requested colour may add additional cost).

Handcycle Hauler - (+\$4,521)

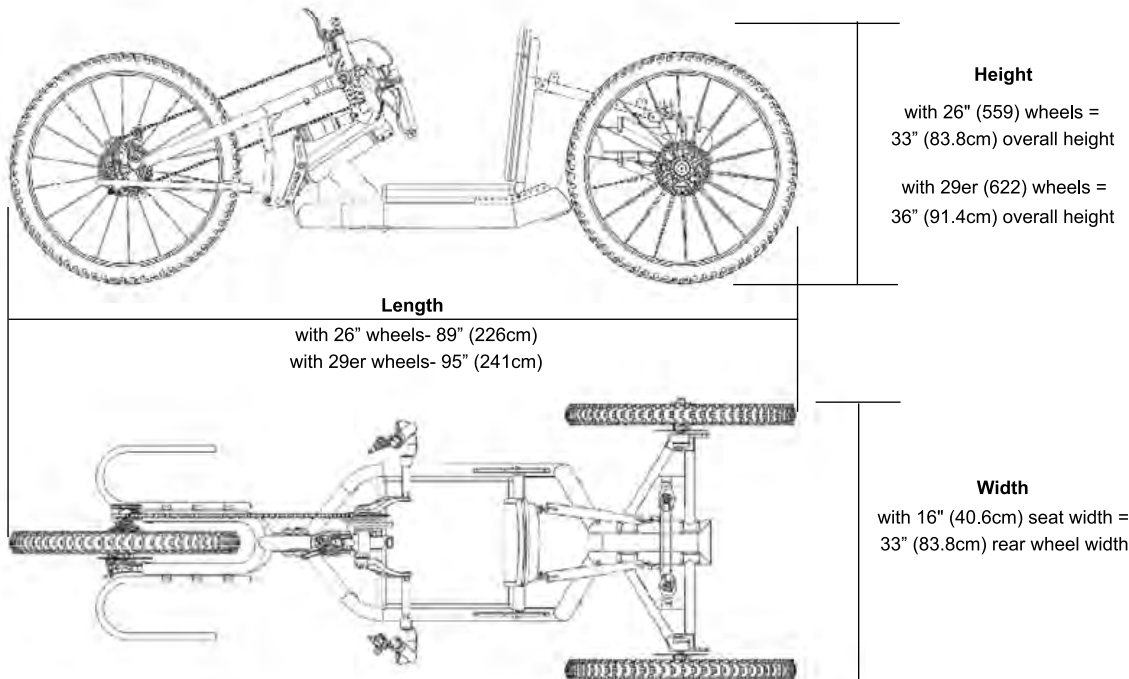
*Requires a 2" Trailer Hitch Receiver- Carries 1 handcycle. Heavy duty aluminium construction. Trailer Hitch Pin not included.

Handcycle Hauler with 2 bicycle attachment - (+\$5,748)

*Requires a 2" Trailer Hitch Receiver- Carries 1 handcycle plus 2 mountain bikes. Heavy duty aluminium construction. Trailer Hitch Pin not included.

Handcycle Dimensions

* Dimensions below are a close approximation but will change depending on wheel and tire size.





**ATH-FS
ORDER FORM**

Personalisation Lasher ATH-FS Form
* denotes required field Revised March 2021

Frame Finish - Color Options* (Powder coat is a baked on finish. Colors and shades can look different than the samples below)

Powder Coat Finish, Single Color - Included (Select a color from the two left columns below)

Powder Coat Finish, Illusion and Multi-Coat Colors - \$916 (Select a color from the two right columns below)

Powder Coat Finish, Two Tone - \$1,956 (select any two colors from this page and list at right)

Main Frame Color: _____ Suspension Color: _____

Gloss White PSS-5690		Sunshine Yellow PSS-2600		Rose Gold PMB-10047		Ultra Illusion Green PMB-5346	
Satin Titanium UMB-1860		Honda Yellow PMB-1657		Illusion True Copper PMB-10044		Illusion Tropical PMB-6919	
Heavy Silver PMS-517		Neon Yellow PSS-1104		Light Shattered Glass PPB-6659		Pastel Blue PPB-4559	
Galaxy Silver PMB-4936		Energy Green PSB-6669		Illusion Malbec PMB-6906		Illusion Pacific PMB-6911	
Mega Grey PMB-6831		Racer Green PSS-4531		Oxblood Ransom PPB-4537		Aurora Blue PPB-6006	
Black Jack (Flat) USS-1522		Tractor Green PSS-4517		Illusion Rootbeer PMB-6924		Illusion Blueberry PMB-6908	
Gloss Black USS-2603		Signal Green PSS-2786		Illusion Copper Plus PMB-5043		Illusion Royal PMS-6925	
Royal Maroon PSB-5076		Army Green (Flat) PSB-4944		Illusion Red PMS-4515		Lollypop Blue UPS-2502	
Vampire Red PSS-3013		Tropical Breeze PSS-6837		Lollypop Red UPS-1506		Dazzling Blue PPB-4329	
Really Red PSS-4416		Miami Teal PSB-6532		Illusion Cherry PMB-6905		Bentley Blue PPB-4711	
Flame Red PSS-5082		Bic Blue PSB-6932		Striker Orange PPS-4750		Chameleon Sapphire PPB-5729	
Sweet Raspberry PSB-6896		Deere Blue PSB-4785		Illusion Shocker PMB-10050		Lollypop Purple PPS-1505	
International Orange PPS-4750		Ford Dark Blue PSB-4624		Flat Shocker Yellow PPB-6524		Illusion Purple PSB-4629	
Harley Orange PMB-2829		Sinbad Purple PSS-1676		Illusion Sour Apple PMB-6913		Illusion Violet PSS-4514	
Indy Orange PPB-6513		Sweet Plum PSS-1054		Psycho Green PPB-4658		Illusion Pink PMB-10046	
Caterpillar Yellow PSS-2550		Whimsy Pink PSS-0874		Illusion Green Ice PMB-7025		Racing Raspberry UPB-6610	
Hot Yellow PSS-1623		Lazer Polka Pink PMB-2340		Illusion Money PMB-6917		Corkey Pink PPS-5875	