

Liability Release Waiver

Waiver of Liability Release, Express Assumption of Risk and Indemnity Agreement

This unit has been customized to fit my requirements. I understand and acknowledge that there are risks of personal injury, death and property damage while participating in rough terrain mobility vehicle ("Freedom Trax") and ("wireless joystick controller") activities of which I am presently unaware. My purchase is voluntary and based on my independent assessment of the risks. Tour Engineering, LLC. and its affiliates will not be held responsible for possible damage to the attaching wheelchair.

I understand that certain minimum skills, capabilities, physical and mental health, and fitness are required in order to use rough terrain mobility products, such as the Freedom Trax; I warrant that I possess these. I understand and agree that, should emergency rescue evacuation become necessary, the expenses are my sole responsibility and not those of Tour Engineering, LLC. or any other public or private entity.

In consideration of the use of Freedom Trax equipment and wireless joystick device,

I HEREBY RELEASE, WAIVE, AND RELINQUISH ALL CLAIMS AND LEGAL ACTIONS FOR PERSONAL INJURY, WRONGFUL DEATH, OR PROPERTY DAMAGE AGAINST TOUR ENGINEERING, LLC., ARISING AS A RESULT OF MY USE OF THE FREEDOM TRAX PRODUCTS; I ALSO AGREE TO PROTECT, HOLD HARMLESS, DEFEND AND INDEMNIFY TOUR ENGINEERING, LLC. FROM ALL CLAIMS AND LEGAL ACTIONS FOR PERSONAL INJURY, DEATH OR PROPERTY DAMAGE ARISING FROM MY CONDUCT; THESE INDEMNITIES APPLY EVEN IF TOUR ENGINEERING, LLC. IS NEGLIGENT OR OTHERWISE AT FAULT.

I warrant that I am executing this agreement voluntarily and that Tour Engineering, LLC. has not made any representations to induce or coerce me to sign this document. I agree that the terms of this document bind me, my heirs, assigns, executors, and administrators, and expressly and specifically protect Tour Engineering, LLC. including, as applicable, their agents, employees, officers, directors, and shareholders.

I UNDERSTAND THE EFFECT OF MY SIGNING THIS DOCUMENT AND THAT I AM FORFEITING IMPORTANT LEGAL RIGHTS AND INCURRING IMPORTANT LEGAL RESPONSIBILITIES.

Address: _____

Name of user: _____

Phone: _____ Cell phone: _____

E-mail: _____

Signature: _____ Date: _____

Signature of parent or guardian for participant under age of 18: _____

Name of parent or guardian (if applicable): _____

Liability Disclaimer

This product will not be submerged in water or be subjected to greater than 4" tall curbs. Traversed rough terrain shall not be attempted at greater than 10° slope angle. Assistant attendant shall be accompanying the Freedom Trax product until the user has demonstrated skill level of operation to not exceed the above named limitations. The user is solely responsible for safe use of the Freedom Trax product. Injury resulting from rough terrain use with the Freedom Trax product is the sole responsibility of the user and the user waives all rights of legal recourse restitution or compensation for use of this product.

Signature: _____ Date: _____

Please email, mail or fax us Signature sheet before using Freedom Trax.

Email: info@freedomtrax.com

Tour Engineering, LLC
Mailing Address:
4323 Kilmer Street
Golden, Colorado 80403

By using Freedom Trax, you agree to the above terms and conditions. If you do not agree please call us to return your unused Freedom Trax for a restocking fee.



FREEDOM TRAX

Operation Manual

**Please read this manual prior to operating
your new Freedom Trax.**



TOUR ENGINEERING

Contact Information:

Tour Engineering LLC
4323 Kilmer St.
Golden, CO 80127
(303) 550-6268

Revision Date: 5/18/2021

Table of Contents

Introduction	3
Safety Information/Warnings	3
Battery Safety	5
Freedom Trax Diagram	6
Unboxing Freedom Trax	7
Front Hold Down Installation	8
Fitting Freedom Trax to a Manual Wheelchair	11
Mounting Instructions	14
Dismounting Instructions	16
Mounting/Dismounting Reminders	17
Attaching a Manual Wheelchair to Freedom Trax	19
Controller	24
Charging	25
Maintenance	28
Storage and Transport	30
Warranty	31
Liability Release Waiver	32

Warranty

Freedom Trax™ is warranted for 1 year from date of purchase. Warranty is void if the device has been subject to misuse and/or abuse. Contact the manufacturer to claim the warranty. The battery warranty will be voided if inspection of the battery shows improper charging or shorting. Warranty claims may be subject to shipping fees.

Storage and Transport

The controller can be disconnected and packed away if desired. If the controller remains with the Freedom Trax, it must be rigidly fixed to the unit so that it does not move, and the battery cable must be detached.

If Freedom Trax will not be used for an extended period of time, disconnect the battery. Store in a location that is protected from the inclement weather and extreme temperatures.

If traveling by plane, secure the wheels of the wheelchair to the rear wheel cradle with a strapping device (cam strap or equivalent). Failure to do so adds complication when moving Freedom Trax without a user and can possibly damage Freedom Trax or the wheelchair.

SAVE THESE INSTRUCTIONS

Introduction

FREEDOM TRAX™ is a motorized track device, that is designed as an attachment for manual wheelchairs. When attached, Freedom Trax allows a manual wheelchair to traverse sand, snow, gravel and mud. Freedom Trax adjusts in many different ways to accommodate most industry standard wheelchair sizes. If your wheelchair does not fit properly to the device, please contact us immediately, and we will accommodate you the best we can.

NOTICE: The information contained in this document is subject to change at any time without notice.

Safety Information

DO NOT OPERATE THIS EQUIPMENT WITHOUT FIRST READING AND UNDERSTANDING THIS MANUAL. IF YOU ARE UNABLE TO UNDERSTAND THIS MANUAL, CONTACT A HEALTHCARE PROFESSIONAL BEFORE ATTEMPTING TO USE THIS EQUIPMENT. FAILURE TO SET UP EQUIPMENT PROPERLY MAY RESULT IN PERSONAL INJURY OR DAMAGE TO THE EQUIPMENT.

DANGER: Always ensure the wheelchair is mounted securely and safely to the device. Failure to do so may result in injury or damage to you and/or the device. If your wheelchair does not fit properly to the device or you have questions, please contact us immediately and we will do our best to accommodate you.

DANGER: While this device has front and rear anti-tip wheels, shifting your weight during operation or attempting to navigate over rocky or uneven terrain may result in tipping

DANGER: Do not attempt to move up or down stairs in the device. This device is not a stair climbing device and could result in serious injury.

Warnings:

- Do not attempt to drive through water, over curbs, obstacles, or terrain steeper than 10 degrees.
- Do not leave device in rain, snow or any other type of inclement weather.
- Do not use the device in the shower or leave it in a humid bathroom while taking a shower.
- When moving the device without a user, use caution and proper lifting techniques to avoid injury.
- Always turn the device off and unplug battery connection when not in use or when mounting or dismounting device.
- Never attempt to lean or reach when attached to the device.
- Care should be taken when using oxygen in close proximity to device.
- Never attempt to adjust the device while a wheelchair is mounted.

Although side covers are included with the device, a potential does exist for rocks or debris to get lodged inside the track. If this occurs, slowly reverse the device and dismount the unit. Inspect what material is causing the disruption and remove debris. Always ensure the device is OFF and the controller is removed from the unit before attempting to remove debris from the track. Debris embedded in the track can cause the track to skip off the sprockets. **Take caution near and around small gravel and do not make zero radius turns.**

Maintenance

Normally, the only maintenance required is routine cleaning. As required, wash off the outside of the device with a hose. Remove L shaped track covers to inspect and clean tracks. Do not remove battery cover when washing. **Do not spray water directly on to battery or motors. Rinse Freedom Trax with fresh water after any saltwater exposure. Never submerge the unit in water.**

Periodically, inspect the track for rocks or debris that might get lodged inside. Also inspect the track for any cracks or chips. If a track does break, please contact us for replacement options.

All ball bearings used in the device are sealed and require no additional oiling.

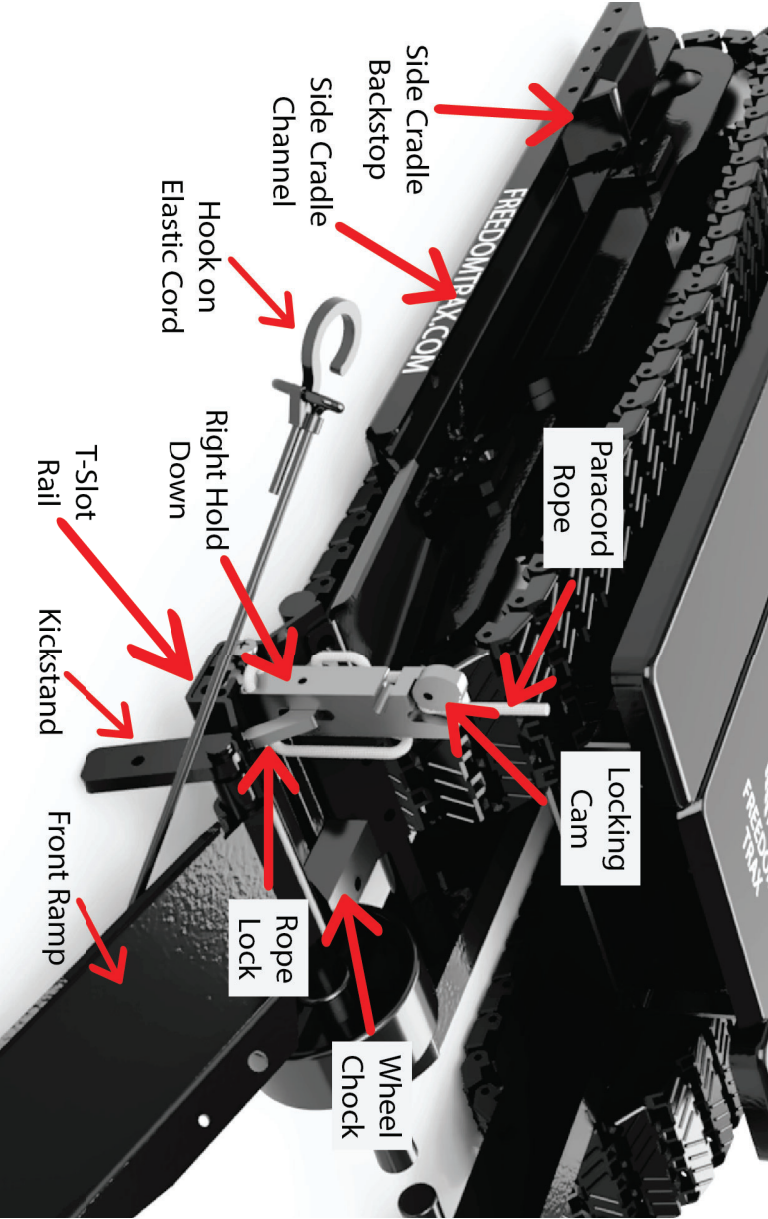
After several years, the battery will start to lose capacity. This is affected by charging method (see “Battery Safety” section) as well as time. When the battery is no longer able to supply the capacity needed, replace it with an identical battery. If a replacement battery is needed, please contact us for accommodation.

Before each ride, check that all the cleats are free from cracks, deformation or foreign objects. Inspect the hold down paracord for wear and ensure the backstops are working properly and in good condition.

Battery Safety:

- The batteries in this device are lithium ion and should only be serviced by a Tour Engineering Technician.
- The batteries should only be charged with the supplied charger.
- NEVER attempt to recharge the batteries by attaching cables directly to the battery terminals.
- DO NOT attempt to recharge the batteries and operate the wheelchair at the same time.
- DO NOT attempt to recharge the batteries when the wheelchair has been exposed to any type of moisture.
- DO NOT attempt to recharge the batteries when the wheelchair is outside.
- DO NOT sit in the wheelchair while recharging the batteries.
- DO NOT attempt to recharge the batteries using both the on-board battery charger and an independent battery charger (plugged into the joystick charger port) at the same time.
- Store Freedom Trax between 40-70 degrees Fahrenheit.

Freedom Trax Diagram



Unboxing Freedom Trax

Freedom Trax will come attached to a plywood base. There are 4, ½” nuts located in the Side Cradle Channels that must be removed in order to remove the unit from its packaging. Two people will be required to lift the unit.

Once removed from the box, the Hold Downs must be installed prior to use. It is recommended the box be saved in-case warranty work is required.

type the following link into your web browser.
<https://www.youtube.com/watch?v=5ahv8ah10kc>

Front Hold Down Installation

The Front Hold Downs (Figure 1.1) require installation prior to the first use. Included in the box are a pair of Right and Left Hold Downs. They are labeled with an R for Right and a L for Left. Left and Right sides are oriented as if the operator was seated on the device. The Wheel Chocks, located adjacent to the T-Slot Rails, are also labeled with an R and an L for ease of installation.

Figure 1.1



Charging

Freedom Trax can be charged in a standard 12V wall outlet. Charge your Freedom Trax for at least 5 hours before first use. Plug in all connectors shown in figure 5.1. To properly charge the device, make sure all connectors are plugged in and secure.

Figure 5.1



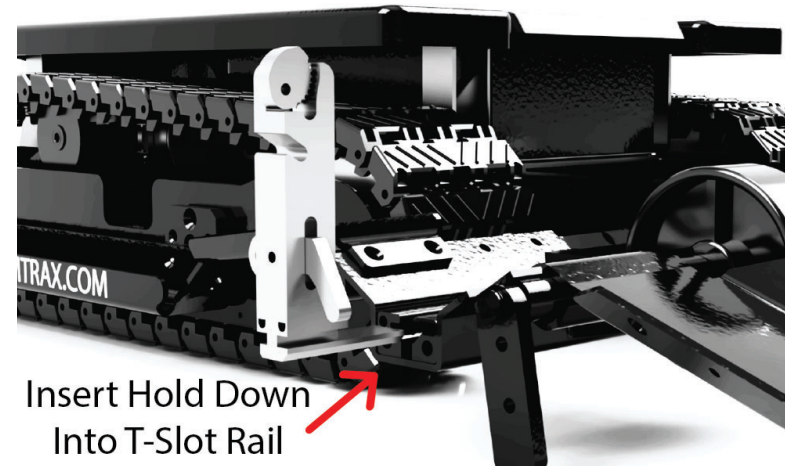
Controller

Included is a joystick controller with speed control and a battery level indicator. The controller comes with a small adjustable clamp to mount in a convenient location. Always ensure the controller cable is free and clear of the tracks when in operation. Failure to keep the cable clear can damage the controller cable. **If the Freedom Trax controller stops working during use, it may need to be reset. Remove the square battery cover and disconnect the battery connector and reconnect.**



To install the Hold Downs, slide each unit into their corresponding T-Slot rail as shown in Figure 1.2.

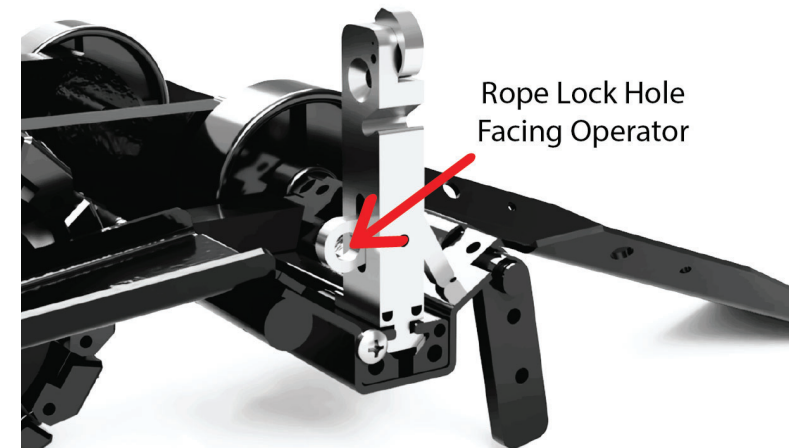
Figure 1.2



If installed correctly, the operator, when seated, should see the hole side of the Rope Locks facing them. (Figure 1.3)

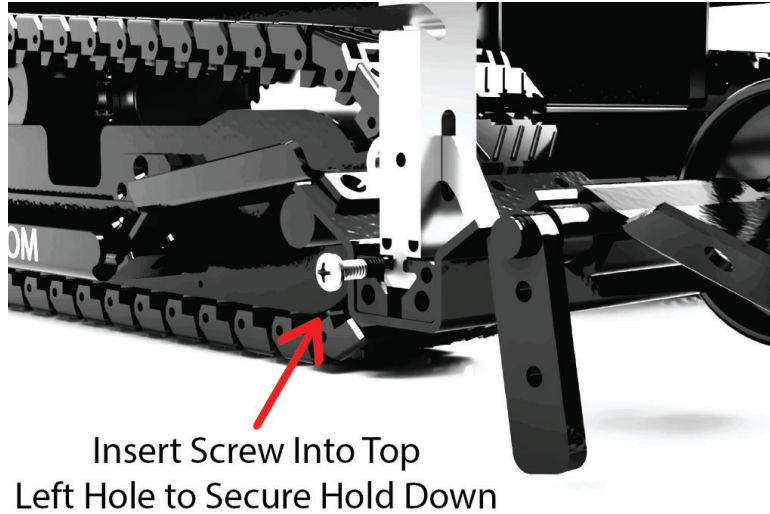
Figure 1.3

Right Hold Down Assembly



A phillips head screw driver and 2 screws are included in the box. Once the holds downs have been installed in the T-Slot rails, the two screws can be installed into the top left hole for both T-Slot rails. (Figure 1.4)

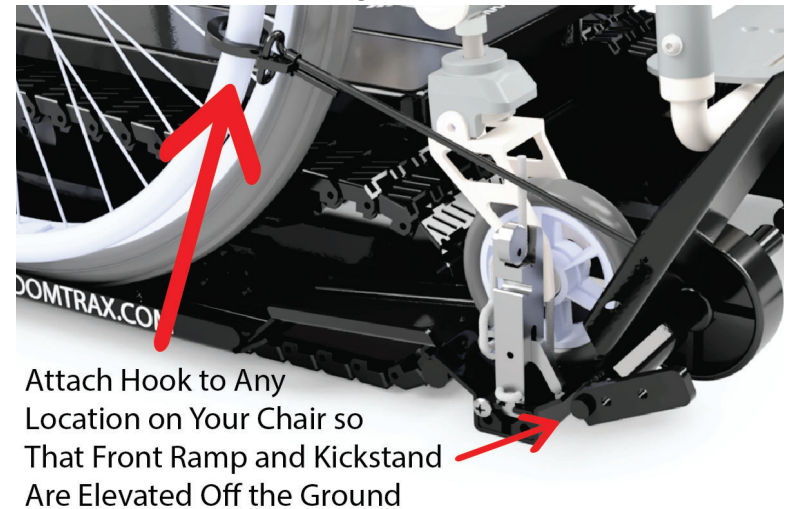
Figure 1.4



After the Hold Downs have been securely fastened to the wheelchair, pull the black elastic cord towards the wheel hand rim or any other convenient secure location on the wheelchair. This will lift the Front Ramps and Kickstands off the ground so they do not interfere with obstacles during use.

The hook at the end of the cord is adjustable and should be tight enough to keep the Front Ramps and Kickstands elevated during use. (Figure 3.6) The front safety strap is essential to prevent the Front Ramp from lowering during operation and can be secured at any convenient location on the wheelchair.

Figure 3.6



The Front Caster Cradle is not adjustable. It is designed to accommodate a wide range of front casters. If the wheelchair caster cannot fit within the parameters of the device, contact us. To maintain the front ramp/mounting assembly in proper working order, always make sure no debris is left in the Front Caster Cradle after use.

After looped through the castor, thread the paracord through the Rope Lock (Figure 3.4) and up through the hole located at the top of the Hold Down. (Figure 3.5). Once through, pull up tight to remove any slack and secure the paracord with the Locking Cam. Once secure, the Hold Down should be as flush as possible to the front caster fork and result in little to no movement of the front caster.

Figure 3.4

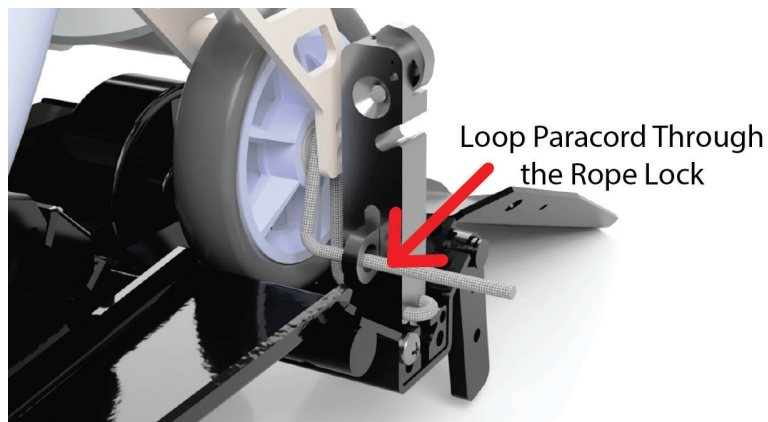
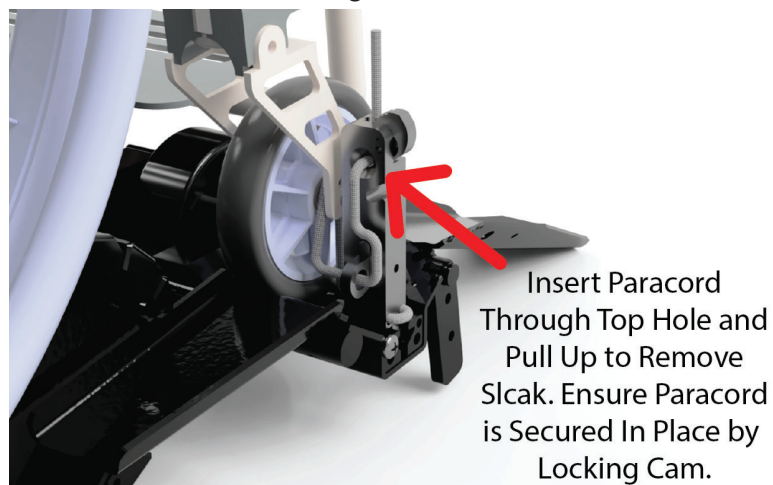


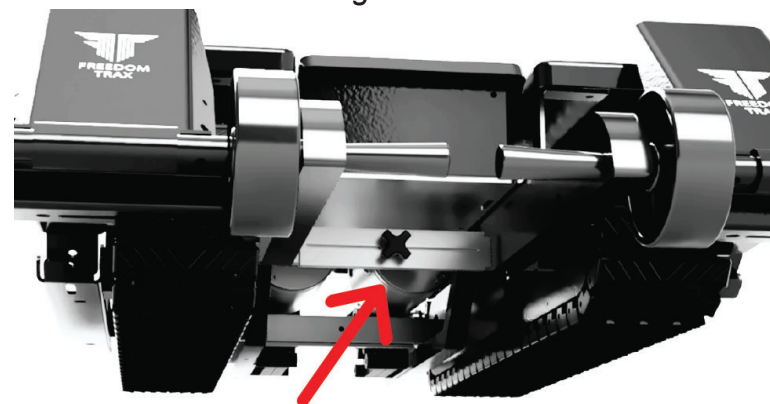
Figure 3.5



Fitting Freedom Trax to a Manual Wheelchair

Freedom Trax adjusts from underneath the center of the device. A thumb screw is located on the front and rear of the device which can be loosened to adjust the overall width. (Figure 2.1) Once both the Rear and Front thumb screws are loose, both halves of the unit can be widened.

Figure 2.1



Loosen Front and Rear Thumb Screws to Adjust Device Width

If you received an Extension Kit please install here before adjusting the width.

Adjust the Freedom Trax width so the Side Cradles are the same width of the manual chair wheelbase. (Figure 2.2)

Figure 2.2



X = Wheelbase Measurement

The Unit Should be Widened to This Measurement

Make sure both halves of the unit are adjusted to the same width measurement for the front and the rear. The Left and Right sides must be parallel to each other. (Figure 2.3)

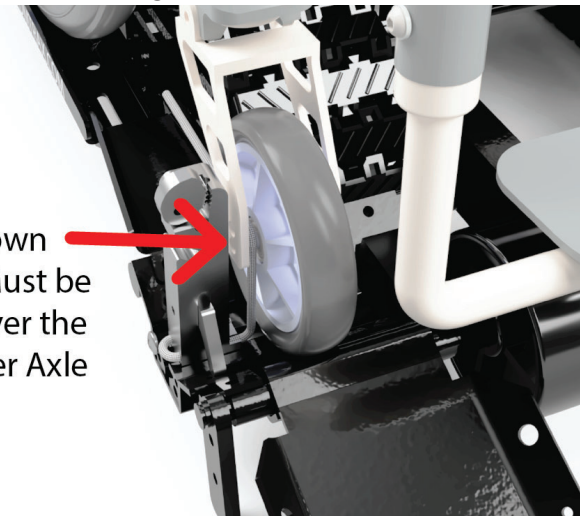
After adjustment, ensure that the Front and Rear Cross Brace Lock Mechanisms are tightened by hand to lock the new width in place.

Please note that you should never attempt to adjust the device while a wheelchair is mounted. If Freedom Trax is not properly aligned, dismount the wheelchair and adjust while it is not attached to a wheelchair.

Freedom Trax will be at its narrowest width, when received. If the wheelbase of your manual wheelchair is smaller than the width of the Side Cradles upon unboxing, contact us immediately.

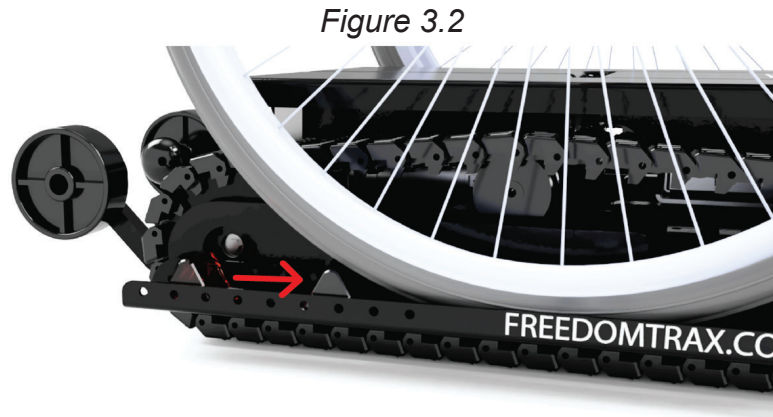
Once the chair has been mounted to the Freedom Trax, position the front castors so that they are facing backwards. Slide the Hold Downs in towards the casters. The Hold Down paracord rope is designed to thread between the front caster wheel and fork above the caster axle (Figure 3.3).

Figure 3.3



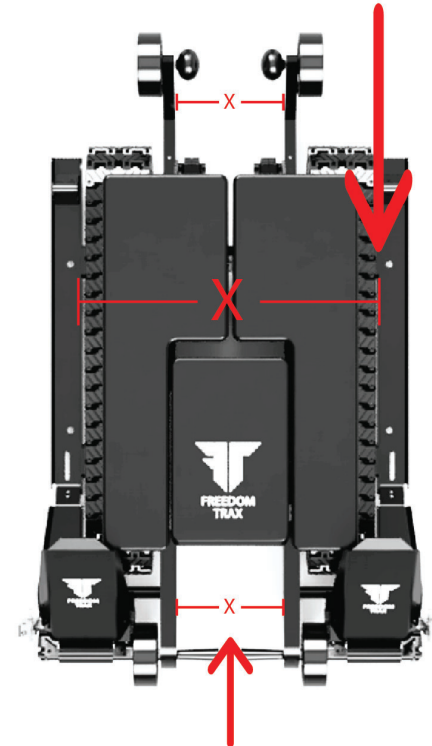
Hold Down Paracord Must be Looped Over the Front Caster Axle

Position each Side Cradle Backstop directly behind the back wheels. (Figure 3.2) The Backstops must be adjusted and tightened prior to operation. The Backstops should be set to allow the wheels to rest against the Backstop when the front caster is securely fastened in the front cradle.



Relocate Side Cradle Backstop so it Rests Against the Back of Both Push Wheels

Figure 2.3
The Distance Between the Side Cradles Should be Equal to the Chair's Wheelbase



The Frame Must Be Equal Distance for the Front and Rear of the Unit

Mounting Instructions

STEP 1 – Reverse onto Freedom Trax ensuring the wheelchair wheels are aligned to the rear wheel cradles. Always reverse straight back and never at an angle. Always have a spotter until the user can confidently mount Freedom Trax.

STEP 2 – Once the front casters are on the front ramp, reverse straight back until the front casters fall into the front caster cradle and the wheel is stopped by the backstop. Always ensure the front casters are pivoted away from the user.

STEP 3 – Once the front casters are in the front caster cradle facing backwards and the wheelchair wheel is against the backstop, attach the casters using the Hold Down System.

STEP 4 – Once attached, secure the hook to a solid part of the wheelchair frame or front caster. Do not secure the hooks anywhere higher than 6 inches from the bottom of the wheelchair. Failure to secure the wheelchair properly can cause serious injury or death.

Remember: When attached to Freedom Trax, your front casters should be aimed backwards.

Please use extreme caution while ascending and descending any level of grade. Take the time to learn and practice. Practice in a safe area until you feel comfortable with the handling of the device. Exceeding the weight limits or carrying an unbalanced load can seriously affect the handling, braking and stability.

Attaching a Manual Wheelchair to Freedom Trax

Make sure the Hold Downs are in the widest possible position, so they do not interfere with your wheels when you roll backwards onto the Freedom Trax. Refer to Figure 1.2 for for Hold Down mounting positioning.

To mount Freedom Trax position the Front Ramps so they contact the ground. The back wheels should be seated into the Side Cradle channels. (Figure 3.1)

Figure 3.1



- DO NOT attempt to back off the device. While the device does have a backstop at the back wheelchair wheel cradle, a large amount of force could propel the wheelchair backwards off the device.

- Freedom Trax has a limited amount of adjustment. **Do not attempt to modify Freedom Trax in any way for your wheelchair to mount.** Please contact us immediately and we will accommodate the best we can.

- When mounting or dismounting, always ensure the Hold Downs are in their widest possible position so they do not interfere with the wheelchair when mounting.

- When mounted and the Hold Downs are tightened to your casters, attach the elastic hook to a convenient location on your wheelchair to ensure the front ramps do not fall down during operation. Failure to do so can result in the ramps folding under the unit when moving forward.

Freedom Trax is designed to operate in a multitude of conditions and environments. Riding at excessive speed increases the chance of an accident. In choosing a proper speed, you need to consider the terrain, visibility and other operating conditions, plus your own skills and experience.

Tracked devices operate differently than wheeled devices and should be driven cautiously until the user has a full understanding of the center of gravity and weight transfer when traversing through uneven grade.

STABILITY AND BALANCE

This device is the first of its kind and offers a unique method for traversing terrain. While this device is designed to be rugged and traverse outdoor terrain, use extreme caution while traversing over obstacles and other conditions found in the outdoor environment.

Dismounting Instructions

STEP 1 – Place the controller in a convenient location and **UNHOOK THE CONNECTOR**. Failure to do so may cause unintentional operation and result in injury. Unfasten the hold downs and the hooks from the wheelchair. Move the hooks and the hold downs out of the way, to not interfere when dismounting.

STEP 2 – Move the wheelchair straight forward very slowly. Always have a spotter until the user can confidently dismount the Freedom Trax. Depending on the configuration of the wheelchair, the front casters may spin 180 degrees as you dismount Freedom Trax. Take great caution to learn the shift in angle as this happens. Always ensure you are dismounting on hard, smooth level ground.

STEP 3 – Continue to roll straight forward and off the device. When the wheelchair wheel enters the front ramp, the wheelchair will naturally roll off due to the angle of the front ramp. Slowly proceed down the front ramp.

STEP 4 – Continue to roll straight forward until the wheelchair is away from the device.

Mounting/Dismounting Reminders

- The device is designed to be mounted from the front, by a manual wheelchair rolling backwards onto the Freedom Trax. Practice will be required to easily mount the device. **Always ensure the controller connector is disconnected prior to mounting and dismounting. Failure to do so, could move the device unintentionally resulting in serious injury.** Always have a spotter until you are comfortable mounting and dismounting alone.
- Always mount and dismount the device on **SOLID, LEVEL** ground. Failure to mount or dismount the device on solid, level ground may damage the device and possibly cause injury.
- Always ensure the front casters are pivoted out towards the front of the wheelchair.** The front casters should enter the front caster ramp always pivoted out, or the device will not attach properly to the wheelchair. If the front casters have any problems ascending the front caster ramp, exit the device and try again.
- Adjustment of the device width and front caster ramp assembly is crucial for easy mounting. If Freedom Trax does not fit your wheelchair, please contact us.