

Product Summary + Market Comparison

For Detailed product information:
[Download 2023 Alber Product Handbook](#)

Alber – General Competitive Advantages:

- **Warranty**
 - 24 Months
- **Crash Tested**
 - E-Motion and E-Fix are occupied transit approved when fitted to an appropriate wheelchair.
- **Lithium Batteries** – standard on Alber mobility products
 - Light weight, Long service life
- **Universal fitting**
 - not locked into certain wheelchair manufacturer
 - your power assist will not limit future wheelchair choice.
- **Model specific brackets**
 - discreet, light weight compared to competitors
 - faster and simpler installation – save time and expense
- **Less wheelchair widening than competitors (2-5cm).**
 - Makes negotiating doorways and tight areas easy.
- **Smoother**
 - The optical sensors in Alber motors are much more sensitive, creating noticeably smoother operation.
 - Particularly obvious at low speeds – situations where precise driving is required.
- **Torque**
 - Alber wheels are 36V (compared to many which are 24V), this gives higher torque at low speeds, giving advantages for example of being able to power slowly and controlled over a door lip/threshold and not needing a run up or high power input like competitors, which can result in a sudden acceleration once the threshold is cleared.
- **Connectivity**
 - Free apps connect to smart phone provide standard functionality
 - App extension licenses available that enhance features
 - Bluedrive – drive remotely from phone
- **Jack up anti-tip system**
 - Excellent functionality as anti-tips.
 - Lift the drive wheel for easier wheel removal, using normal quick release axles.
 - No plugs, wheels remove like a normal wheel.
 - Simple and intuitive operation and fitting for carers.



E-MOTION®

duo drive ■ ■ ■ MADE IN GERMANY

<https://www.alber.de/en/products/active-drives/e-motion/>

Released in January 2019, the Alber E-Motion is market best power assist and with the addition of the optional DuoDrive controller in 2021, it got even better... Easily change between power assist and constant propulsion with live speed adaption, speed limited on decent, assisted braking, anti-roll back for ramp climbing, indoor/outdoormode drive modes, multiple pre-set driving parameters for different users and/or complete custom programmability for specific needs.

- **Push rim activated power assist and/or Duo Drive controlled constant propulsion in one.**
 - Wide suitability - from **high level quads through to active users.**
- **150kg user weight capacity**
- **Lithium Batteries Standard** = longer service life
- **Battery integrated into wheel**
 - not separate, no plugs, just attach wheel and go...
- **up to 25km range** (ISO 7176-4) (15km in cruise)
- **36.5 Volt motor** = high torque at low speeds
 - less need for run ups to get over door thresholds etc
- **Various sizes: 22" / 24" / 25"**
- 7.8kg / wheel
- **4 push rim options**
- Pneumatic and **puncture proof** tyre options
- Smart functions
 - **Cruise mode suitable for Quads** (speed moderation on decent and assisted braking)
 - Bluedrive - Remote driving through phone app
- **Suitable for high level quads.**
 - Sensitivity can be adjusted –**more sensitive than alternatives**
 - **Can be adjusted to account for left/right bias**
- Programmable
 - Selectable drive programs suitable for different user types
 - **Completely custom programmable** drive characteristics for users with specific needs
- **Anti-rollback** for ramp and hill climbing
- **Inside / outside drive modes** (+teacher mode while learning)

Purchase need: compensating handicap, greater independence



e-fix®

MADE IN GERMANY

<https://www.alber.de/en/products/add-on-drive/e-fix/>

Market leader for power add-on. No plugs, wheels remove like standard wheels, particularly easy compared to competitors when used the Alber Jack up anti-tippers. Smoothest drive feel on the market with the torque and adaptability for any situation. Fantastic intuitive attendant control option with unique powered turning for easy use on all surfaces.

- Joystick driven power add on
- **Smooth low speed driving**
 - Excellent proportional joystick response – please compare to alternatives!
- **Less wheelchair widening than competitors** (average = 3cm)
- **36V motors** = High torque at low speeds + efficiency
- **Transportable**
 - Easy removal of wheels using jack up anti-tips
 - No plugs, just quick release axle like standard wheels
- Standard and HD versions
 - E35: 120Kg user capacity
 - **E36: 160Kg user capacity** (210Kg total user/system/chairweight)
- **Lithium battery as standard**
 - 6.0AH / 7.5 AH battery options
 - **16Km / 20Km range** (ISO 7176-4)
 - E-Fix ECO (SLA battery) now available
- Max Speed 6km/h (option of 8.5km/h with app extension)
- Wheel 7.9kg each
- By far the **lowest rolling resistance** when put into neutral.
 - This makes self-propulsion without swapping out the wheels practical – the **only power add on with this practical possibility**
- The intuitive attendant control is the **only system that enables a powered turn + propulsion**
 - Particularly useful on large, tilt in space chairs and on unsealed surfaces
 - In contrast, competitors propel forward and sometime backwards, but rely on the attendant to create the lateral force to create a turn.
- **Various wheel sizes: 22" / 24"**

Purchase need: compensating handicap, greater independence, transportable power add on (with jack up anti-tips)



e-fix[®] eco

MADE IN GERMANY

<https://www.alber.de/en/products/add-on-drive/e-fix/>

E-Fix eco 14" now available

The E-Fix eco is compatible with common Tilt in Space wheelchairs including the Ki Mobility Focus and Liberty models, the Sunrise Medical Quickie Iris and the PDG Fuze.

Ideal with Alber's unique "intuitive attendant control" to help family and carers effortlessly push these larger, heavier chairs in all environments for unlimited social participation.

- Joystick driven power add on and/or attendant control
- **Smooth low speed driving**
 - Excellent proportional joystick response – please compare to alternatives!
- **Less wheelchair widening than competitors**
- **36V motors** = High torque at low speeds + efficiency
- **Transportable**
 - Easy removal of wheels using jack up anti-tips
 - No plugs, just quick release axle like standard wheels
- Specs
 - 120Kg user capacity
 - 15Km range (ISO 7176-4)
 - 6kph speed
- By far the **lowest rolling resistance** when put into neutral.
 - This makes self-propulsion without swapping out the wheels practical – the **only power add on with this practical possibility**
- The intuitive attendant control is the **only system that enables a powered turn + propulsion**
 - Particularly useful on large, tilt in space chairs and on unsealed surfaces
 - In contrast, competitors propel forward and sometime backwards, but rely on the attendant to create the lateral force to create a turn.
- **Wheel size: 14"**

Purchase need: compensating handicap, greater independence, transportable power add on (with jack up anti-tips)



SMOOV

MADE IN GERMANY

www.smoovbyalber.com.au

Portable active power add-on, similar user target market to Smart Drive with some key advantages including safe intuitive stopping, superior driving performance and less ongoing maintenance.

- Suitable for both Rigid and Folding chairs
- **Reliable Bluetooth connection:**
 - Separate control unit with lithium battery and powerful Bluetooth transmitter for reliable and consistent Bluetooth connection with drive unit.
- Quick and easy to attach or detach.
- **Adapter axle on folding chairs attaches separately to drive unit. Much easier.**
- **Up to 20km range** (ISO 7176-4)
- **140Kg user weight capacity**
- 7.2kg
- **Stop propulsion with mounted, mechanical button: reliable, intuitive, safe.**
- On indoor settings (eco mode) can also be stopped using push rims – great safety reassurance while training use of the stop button.
- **Easy Speed adjustment while driving** using ergonomic speed wheel, no need to disengage and restart propulsion to change speed.
- Great drive performance on outdoor surfaces:
 - **pivoting drive wheel negotiates rough surfaces (lifted paver for instance) better than small rollers of competitors.**
- **Much Easier Turning:**
 - once the drive wheel has pivoted it powers the turning force, alternatively, competitors that always propel straight forwards require constant force from the user to maintain a turn.
- **Smooth propulsion:**
 - smoother than competitors due to circular drive wheel.
- Auto slow down when making high speed turns.
- **Safe for air travel.**
- Minimal moving parts = **less maintenance than competitors**
- Power output (USB C) from device for charging portable devices and control unit on the go.

Purchase need: Social participation, maintain shoulder health, driving comfort, range extender



via GO[®]

■ ■ ■ MADE IN GERMANY

www.alber.de/en/products/push-and-brake-aids/via-go/

The compact push aid. Lightweight and easy to attach, the via Go has an inbuilt lithium battery and foldable bracket.

- Compact and light weight at less than 6kg including battery and controller
- Quick and easy to attach or detach.
- Impressive range of up to 16km and climbs gradients of 16%
- **150kg user weight**
- Compatible with most standard lightweight wheelchairs
- safe for Air Travel
- simple and most portable
- bracket folds with the wheelchair - no need to remove it
- wheelchair can be folded with device still attached

Purchase need: Social participation, health and safety or attendant, easily portable



E-PILOT

MADE IN GERMANY

<https://www.alber.de/en/products/add-on-scooter/e-pilot/>

The E-Pilot raises the bar for scooter-style power add on. Think of this like an e-bike for wheelchairs; in the same manner it enables local commuting, comfort, range extension, fun and lifestyle possibilities to users. Used for leisure and functional transport; for accessing amenities like local shops this removes the need for tiresome car transfers.

- **Up to 50km range** (ISO 7176-4)
- 10km/h ** (10kmh standard, 20kmh with display upgrade subject to local regulations and usage areas)
- **Easy connection, market best – takes only 5 seconds!**
- 100Kg user weight capacity
- Looks that set it apart
- Integrated battery
- **Reverse**
- **Traction assist** – unique to Alber
- Magnetic steering dampener
- Connectivity with phone
- Leading Neodrive motor technology (made by Alber – premium e-bike motor)
- Power output (USB) from device for charging portable devices on the go.
- Many colours
- Many options

Purchase need: Comfort driving on footpaths, extend user range, ideal for accessing local amenities without the need for vehicle transfers, social participation, maintain shoulder health, driving comfort and pleasure.



www.muvetech.com.au

For further information please contact us:

Muve tech
 info@muvetech.com.au
 08 8346 3352

SLOW DOWN

The first braking device for manual wheelchairs
A set of wheels to slow down with no pain



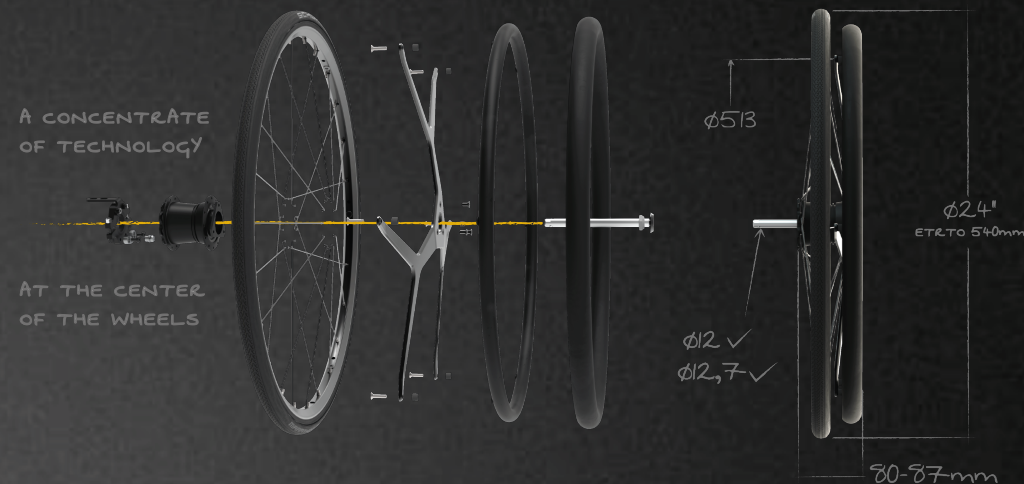
Today, braking or turning a wheelchair implies using your hands as brake pads, causing shoulder pain and hand burns.

Thanks to Dreeft wheels, brake with your fingertips with no effort or friction!

Just lightly pull the handrim backwards to activate the coaster brake system.



GO FURTHER



TECHNICAL DATASHEET

Wheel dimensions :	24" (ETRTO 540mm)	Spokes :	24 spokes 14G black steel
Tyres :	Schwalbe Marathon+ 25-540	Handrim fixation part :	Black powder coated aluminium
Handrims :	Black anodized aluminium $\phi 19$ mm	Quick release axis diameter :	Compatible with 12mm & 12,7mm
Rims :	Double wall, aluminium	Handrim-to-rim spacing :	12 mm or 19mm
Handrim grip :	PVC rubber hand grip $\phi 30$ mm	Max user weight :	100 kg
		Fully equipped wheel weight :	3 750 g



Zero friction

Say goodbye to gloves and hand burns



80% Less effort

Compared to standard wheels
(Your shoulders will say thank you)



Motorizable

Helps you steer with rear power assist
No pain, no danger!



Appropriate for para&quadri

Usable without hand gripping,
even under the rain!

INTRODUCING EPPUR DREEFT



Designed, machined and assembled in France



MADE IN FRANCE

PS: Thank's **Mathéo B** for the

FOLLOW US FOR THE LATEST NEWS!



eppur@muvetech.com.au
www.muvetech.com.au
www.eppur.eu



_DREEFT

Do you want to brake free?



EPPUR