

# E-PILOT

ADD-ON SCOOTER FOR  
MANUAL WHEELCHAIRS

Highlights	42
Product advantages	44
Product setup	45
Scope of delivery	46
Mounting bracket	47
Colours	48
Accessories	49
Mobility Plus Package	53
Technical data	54



MADE IN GERMANY 



## All highlights at a glance



### Considerable range and smoothness

- Removable lithium-ion battery pack
- Range up to 50 km with a single battery charge
- Highly efficient and noiseless direct drive



### Enjoy the speed

- Basic version 6 km/h, optionally extendable 20 km/h through the Mobility Plus Package <sup>1) 2)</sup>
- Preselection of the maximum speed possible in 4 steps
- Dual safety with two hydraulic brakes



### Mobility with style

- Integrated battery pack and internal cable routing
- Dynamic sporty frame design thanks to innovative hydroforming technology



### Robust construction for more driving comfort

- Large 16" front wheel
- Good suspension thanks to thick balloon pneumatic tires
- Sturdy construction with fork and chassis
- Stand with patented swivel function when obstacles are in the way



### Easy to handle

- Easy operation using two controls on the handles
- Large, colour 2.4" TFT display
- Easy docking and undocking in seconds
- With reverse gear



### Individually adaptable

- Extensive colour choice
- KCLICKfix® storage and bag assortment
- Varied accessory program

## Mobility app



### A smart extension

- Mobility app with display of battery capacity and other product information
- Mobility Plus Package to extend the functions by:
  - Speed: speed up to 20 km/h
  - Cruise Mode: cruise control function

<sup>1)</sup> The local road traffic act is to be considered regarding the maximum speed.

<sup>2)</sup> Alber and its sales partners accept no liability in the event of non-compliance with national traffic laws.

# Speed up your life.

2





### Product advantages

Speed up your life. The e-pilot is an electric add-on scooter that is easily docked to the manual wheelchair. This significantly increases the mobility and independence of the wheelchair user.

### The most important product advantages at a glance

- Intelligent docking mechanism to facilitate docking and undocking the e-pilot in seconds
- Reverse gear for easy maneuvering
- Traction assist on a smooth surface for safe starting
- Large operating range thanks to the modern lithium-ion battery pack allowing a range of up to 50 km
- Superior driving characteristics thanks to noiseless and efficient direct drive
- Large front wheel for easily overcoming curbs or uneven ground surfaces
- Two hydraulic brakes for dual safety
- Great flexibility through individual mounting on most manual wheelchairs

### Wheelchair recommendations

- Folding wheelchairs, preferably with double cross brace, also with swing-away legrests
- Active wheelchairs (with rigid or folding frame)

The flexible mounting system allows to be combined with a variety of wheelchairs. Optional available reinforced manual wheels and wheelbase extension are recommended.

### Compatibility checking

Determine the following to ensure that the existing wheelchair can be combined with e-pilot: Wheelchair manufacturer, exact modell, seat width, seat depth, seat height (measured at the lower edge of the seat front cover), lower leg length and type of leg rests.

Contact our Customer Service with the details by calling +49 7432 2006-230 or by e-mail at [csexport@alber.de](mailto:csexport@alber.de). Alternatively, you can check using our Dealer Information Pool ([www.dip.alber.de](http://www.dip.alber.de)), menu bar „Mounting“.

### Our quality promise - Your safety

Seal of approval and testing institute



TÜV Süd, Hanover

CE conformity



complies with the European Medical Device Regulation (MDR) 2017/745

As per application class

Class A (Indoors)

Class B (Indoors and outdoors)

Class C (Outdoors)

### Awards



Focus Open 2018 Gold



GERMAN DESIGN AWARD WINNER 2019



**The battery pack**

Elegantly integrated and theft-proof with key lock.  
Up to 50 km range, 5 LED capacity display.

**The drive wheel**

Noiseless, efficient direct drive with thick balloon tires for good suspension.

**The bracket**

Is attached to the seat tube of the wheelchair, removable middle strut, and the wheelchair remains foldable.

**The stand**

With large wheels for easy docking and undocking as well as patented swiveling function for obstacles.

Picture: Standard version with design colour white silk matt



**The display**

Detachable 2.4" colour display with clear display indicating battery capacity, speed and tour data. Includes Bluetooth for smartphone connectivity.



**The charger socket**

Standard with USB socket for charging your smartphone.



**The brakes**

Equipped as standard with two strong and easily adjustable hydraulic brakes.

**The throttle**

Setting the speed



**The control element 1**

Easy control of light and horn.

**The control element 2**

Easy control of ON/OFF, Menu, Speed selection/ Reverse gear and Tour data.



#### Drive unit

- Innovative and elegant hydroforming aluminum frame
- Integrated battery holder with lock
- Cables and wires in the frame
- Button for ON/OFF, Menu, Speed selection/Reverse gear, Tour data
- Button for horn and light
- Brake lever left and right, hydraulic
- Stand with patented swivelling function for easily overcoming obstacles
- USB socket for charging a smartphone
- Basic colour black, design colour white silk matt (for further colours see page 10)
- Traffic approved lighting



#### Drive wheel

- Gearless motor, therefore noiseless, and maintenance free
- Motor with 250 watts (constant) and 650 W (peak)
- Disc brake 203 mm with two hydraulic calipers
- Balloon pneumatic tires 16"
- Preselection of maximum speed in 4 steps, reverse gear

Brake by



#### Battery pack

- Auto contacting, quick-release battery pack
- Range up to 50 km (depending on the ground surface, the weight of the user, temperature, wheelchair settings and terrain)
- Weight: only 2.1 kg
- Battery can be charged in the installed or removed state
- Optionally available spare battery pack for even more range



#### LCD

- Easy to remove and attach by twist-lock
- TFT full colour display with indicator for speed, battery capacity, drive mode, driving mode and tour data
- Other functions can be selected via the menu



#### Automatic battery-charger

- Electronic charging and switch-off mechanism
- Charging time of an empty battery approx. 4 hours



### e-pilot Mobility App

- For smartphones running on the Android or iOS operating system and internet access
- Download for free in Google Play or App Store

The mobility app at a glance:

- Guide:
- Quick operation instructions
  - Error information with solution suggestions
  - List of specialist dealers worldwide
- Cockpit:
- Showing the remaining capacity and range
  - Tour computer
  - Recording of a travelled tour

Enjoy additional functions with the optional Mobility Plus package.



## MOUNTING BRACKET



### Wheelchair installation kit

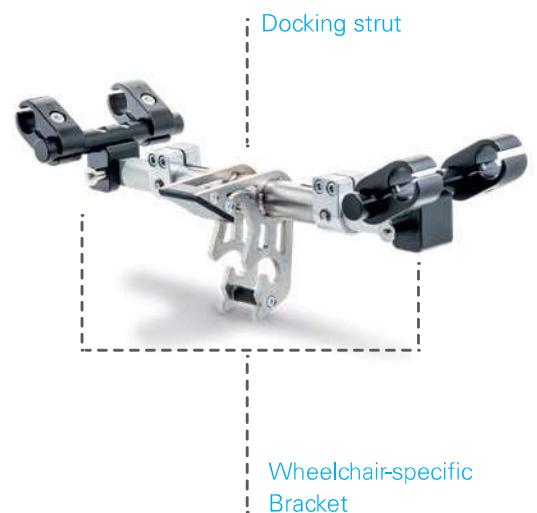
- Mechanical connection of the e-pilot to the manual wheelchair. (Please order, if not already installed to wheelchair)
- Flexible attachment to most wheelchairs
- The bracket for the e-pilot consists of the following parts:
  - docking strut
  - wheelchair-specific bracket

### Docking strut

- This is adaptable to the wheelchair in width and angle.
- The docking strut can be easily removed via two quick-pins. The wheelchair remains foldable and there is less weight on the wheelchair.

### Wheelchair-specific bracket

- This consists of eight clamps, two straps and two holders. These parts are specially adapted to the wheelchair and remain on the wheelchair. The bracket has a weight of 700– 900 g, depending on the wheelchair properties.





### Colour options

Individual appearance through a wide range of design colours. Frame colour is black. Colour panels on the side frame and fork are white as standard or choose among a variety of colours.

Colour choice for colour panels:

- 4 Glossy signal colours
- 6 Matt metallic colours

#### Optional glossy signal colours\*



White silk matt (Standard)



Fire Red



Dark Yellow



Lime Green



Light Blue

#### Option metallic colours matt\*



Purple



Cherry Red



Blaze Orange



Emerald Green



Dark Blue



Anthracite

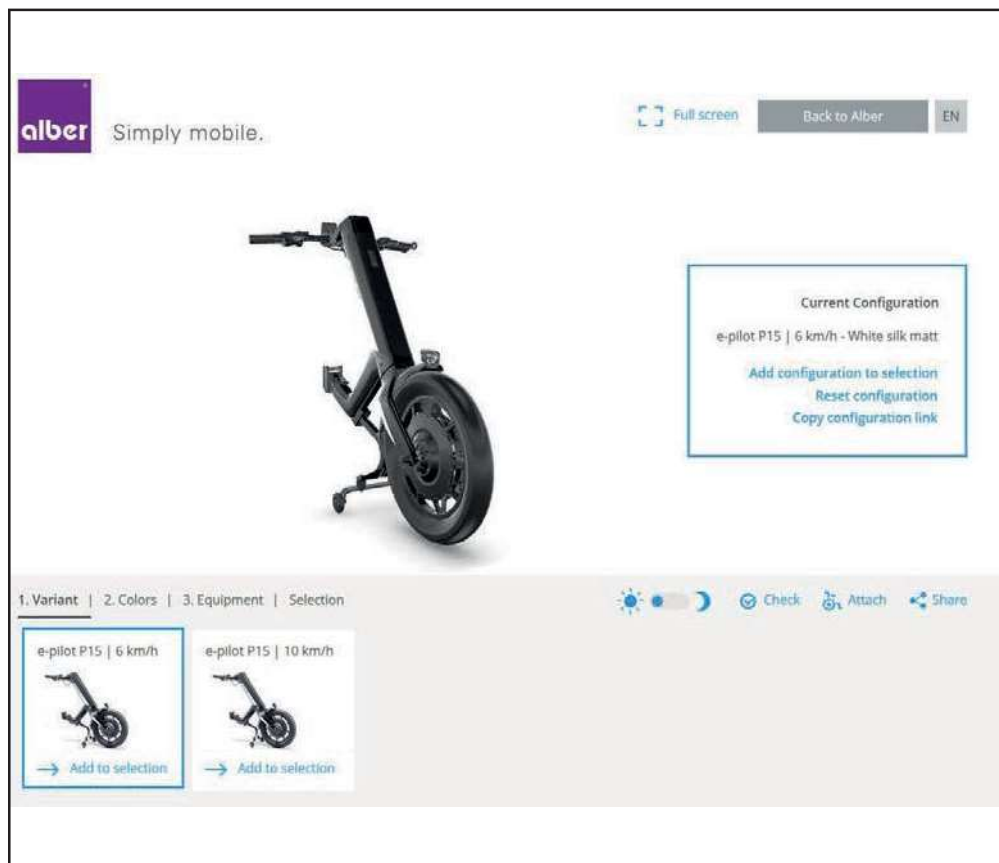
\* Colours shown may differ from the original due to printing deviations. We reserve the right to change colour selection according to availability.

click here:

<https://e-pilot.alber.de/en/viewer/e-pilot/>



### e-pilot Online-configurator



Thanks to the 3D configurator the end user can put his e-pilot together individually. You can use this innovative sales tool and recommend it to your customers. Find the configurator on our website (add-on scooter - e-pilot).





#### KLICKfix® Front base holder

- Mounting prepared on the frame, base holder can be retrofitted at any time
- For holding Shopping bag or Vario carrier
- Adapter suitable for further KLICKfix® accessories with steering adapter
- Battery pack can be removed even with the base holder mounted



#### Shopping bag

- Compatible with the KLICKfix® front base holder
- With aluminum frame for easy loading
- With zipper, dimensionally stable by stiffening struts
- Dimensions 35 x 28 x 26 cm
- Payload up to max. 15 l or 5 kg
- Colours black or black with coloured dots (not shown)



#### KLICKfix® rear base holder

- Mounting prepared on the frame, base holder can be retrofitted at any time
- Combination with front base holder possible
- For holding compact bag and bottle holder
- Adapter suitable for further KLICKfix® accessories with mini-adapter



#### Compact bag

- Suitable for KLICKfix® rear base holder
- With two compartments, zipper
- Colour black
- Dimensions 11 x 19 x 9 cm
- Payload up to max. 2 l or 1 kg



#### Bottle holder

- Suitable for KLICKfix® rear base holder
- Colour black
- For bottles with a diameter of 30 – 60 mm
- Payload up to max. 1 kg



#### Spare battery pack

- To increase the range
- 36 V, 496 Wh, weight 2.9 kg



#### Supernova front light

- Double light output compared to standard lighting
- Robust design aluminum housing
- Extra bright with 205 lumens
- Parking light up to 5 minutes after switching off



#### Tail light for push handles

- Battery operated (2 x AAA)
- Running time up to 50 hours
- Includes adjustable rubber band for attachment to the push handles
- Double-sided attachment recommended



#### Rear mirror

- For fixing to the handlebar left
- Not compatible with option throttle left
- Easy to fit and adjustable
- Foldable for space-saving parking
- Easy to retrofit



#### Throttle handrest

- Fatigue-free operation of the throttle
- Easy mounting via clamping bracket
- Easy to retrofit



#### Manual rear wheels

- Extra robust design especially for use with e-pilot
- Tires Marathon Plus 24" x 1 3/8" pneumatic, puncture protection insert
- Stub axle 1/2" (12,7 mm), length 104 mm



#### Throttle grip left

- Optional throttle grip for the left side of the handlebar
- Allows driving with limited arm/hand function on the right



#### Additional weights

- To increase traction and acceleration of the drive wheel
- Simple removal of the weights by means of locking bolts
- Conically shaped receptacle for firm seating of the weights
- 2.4 kg / 5,3 lbs per weight in total approx. 5 kg / 11 lbs payload (incl. mounting bracket)



#### Docking aid

- Docking aid for e-pilot
- Enables easy docking and undocking with one arm
- Docking aid can be folded out of the field of view via the display



#### Transportation lock

- For safe transport in the car (can be lashed down with eyelets)
- Protects the frame and lighting from scratches or damage



#### Flight battery pack

- Battery pack suitable for air transport
- Range up to 20 km (depending on the ground surface, the weight of the user, temperature, wheelchair settings and terrain)
- 36 V, 280.8 Wh, weight: 2.9 kg / 6.4 lbs
- Battery can be charged in the installed or removed state





#### Knobby tyre

- 16" balloon pneumatic tyre with medium studded profile
- Increases traction on gravel and grass



#### e-pilot garage

- E-pilot garage to protect against dust, rain, dirt and sun under the carport or in the basement
- Robust, teflon-coated and water-repellent material



#### Tetra-Brake

- Ergonomically shaped hand rest
- Hand strap made of skin-friendly mesh material, which prevents the hand from slipping
- Two Magura brakes for safe braking manoeuvres
- Hand rest available for left and right
- Parking brake to prevent rolling away





# MOBILITY PLUS PACKAGE

## Overview of the e-pilot Mobility Plus Package and its functions

- Expansion of the e-pilot Mobility App with useful functions such as cruise control, easyNavi or the speed increase "Speed"
- All that is required is an Internet-enabled Android or iOS smartphone with Bluetooth
- Contains: Booklet with operating instructions and license code for extending the Mobility App



2



### Speed <sup>1)2)</sup>

- Increases the maximum speed from 6 to 20 km/h
- New dynamic driving experience with the e-pilot



### Cruise

- Maintaining a set speed
- Easily adjustable in 1 km/h steps



### Phone <sup>3)</sup>

- Short notification of incoming calls or SMS on the display of the e-pilot

<sup>1)</sup> The maximum speed allowed on public roads depends on local traffic regulations. Speeds above 6 or 10 km/h may only be driven on private property.  
<sup>2)</sup> Alber and its sales partners accept no liability in the event of non-compliance with national traffic laws.  
<sup>3)</sup> Only available with Android smartphones.



## General

Weight of the person	max. 100 kg / 220 lbs
Permissible total weight	max. 135 kg / 298 lbs
Climbing capability	Up to 10 %
Braking capability	Up to 15 %

## Drive wheel

Size / tires	16" / 16 x 3.00
Motor power rating	250 W
Motor power max.	650 W
Operating voltage	36 V
Max. torque	40 Nm
Speed	0.5-20 km/h, 0.6 - 4 miles Standard speed 6 km/h / or 10 km/h / up to 20 km/h <sup>1)</sup>

<sup>1)</sup> Only available with Mobility Plus Package.

## Battery pack

Battery cells	36 V, 13.8 Ah, leak-proof and maintenance-free, lithium-ion, 24-month warranty
Battery capacity	496 Wh
Range	up to 50 km depending on the ground surface, the weight of the user, temperature and terrain

## Display

Illuminated TFT display	Full colour display 2.4" with drive information, tour data (time, distance, range), bluetooth connection
-------------------------	----------------------------------------------------------------------------------------------------------

## Control unit left

Functions	Light, horn
-----------	-------------

## Control unit right

Functions	ON/OFF, menu, speed select in 4 steps, reverse gear
-----------	-----------------------------------------------------

## Further functions

Driving modes (Eco, Tour, Sport), traction assist, USB Charging adaptor (max. 1.3 A), Menu languages: DE, GB, FR, NL, IT, ES, SE, NO

## Battery charger

Input voltage	230 V (AC), 50 Hz, automatic charging and switch-off mechanism
Output voltage	45 V (DC)
Charging current	4 A
Charging time	approx. 4 hours with an empty battery pack

## Weight

Total weight	18.4 kg / 41 lbs
Total weight without battery pack	15.5 kg / 34 lbs
Battery pack	2.9 kg / 6.4 lbs
Drive wheel	6.5 kg / 14 lbs



complies with the European Medical Device Regulation (MDR) 2017/745



## Dimensions

A = Total width	560 mm (22 inch)
B = Total length	900 mm (35 inch)
C = Total height	950 mm (37 inch)
D = Width of battery pack	82 mm (3.2 inch)
E = Length of battery pack	443 mm (17.4 inch)
F = Height of battery pack	71 mm (2.8 inch)

