

e-fix[®]

Power add-on drive

Highlights	14
Product advantages	16
Product setup	17
Scope of delivery	18
Accessories	21
Mobility Plus Package	25
Technical data	26

2



 **Bluetooth[®]**

MADE IN GERMANY 



Greater transportation benefit

- No component heavier than 7.8 kg/17 lbs
- Total system 18.9 kg/41.6 lbs



Small and light battery pack

- Lithium-ion technology for long life time
- Compact dimensions, fits under almost any wheelchair and most folding wheelchairs can be folded with the battery
- Ultra-light, weighing only 2.1 kg/4.6 lbs



Intelligent battery mount

- Integrated guides for simple insertion of the battery pack
- One "click" and the battery is locked in place and ready to go thanks to automatic contacting
- Fixation using Velcro straps or fixed clamp optionally



Innovative control unit

- Modern, super-flat design
- Adaptation of the display options, driving modes and settings via menu
- Easy-to-understand operating instructions on the display (plain text, graphics)
- Individually programmable driving parameters
- Integrated LED ambient lighting



Effortless handling thanks to EasyConnex magnetic plug

- Contacting takes place automatically, thanks to magnetic force
- Plug control unit, intuitive attendant control and battery charger "find" the correct plug position automatically



Optimized drive unit

- New, super quiet gear box
- With "real" clutch for full freewheeling
- Greater range thanks to energy recovery during braking



Mounting

- Bracket mechanically compatible with the e-fix E25/E25 brackets



Small. Light. Swift.

2





Product advantages

Small, light, swift. The e-fix converts manual wheelchairs into electric wheelchairs and enhances the mobility and independence of the wheelchair driver.

The most important product advantages at a glance

- For persons weighing up to 160 kg/350 lbs
- Low weight and compact dimensions allow easy transport
- Universally easy to apply - product in accordance with class B for indoor and outdoor use
- High mobility with superior driving characteristics also in limited spaces
- Manual operation by simply uncoupling the drive wheel - two wheelchairs in one
- Discreet technology, dynamic design, wheelchair remains foldable
- Individual care through versatile programming functions
- Intelligent electronics with power-saving function and service diagnostics
- Quick component replacement possible, thanks to modular design
- Great flexibility through individual mounting on most manual wheelchairs

Wheelchair mounting

- Standard wheelchairs
- Light weight wheelchairs
- Active wheelchairs
- Paediatric wheelchairs
- Comfort wheelchairs
- Special applications such as:
 - Seat shell sub-frame
 - Stand up or lift chairs

The Alber bracket system permits the combined use of the e-fix and the scalamobil on many wheelchairs. The "Mounting" section provides a broad overview of compatibility. If you have questions regarding a specific wheelchair model Or special requests for mounting, our Customer Service team would be delighted to advise you (phone +49 7432 2006-230, email csexport@alber.de).

Our quality promise - Your safety

Seal of approval and testing institute



TÜV Süd, Hanover

CE conformity



complies with the European Medical Device Regulation (MDR) 2017/745

As per application class

Class A (Indoors)

Class B (Indoors and outdoors)

Class C (Outdoors)

Awards



Focus Open 2015 Silver



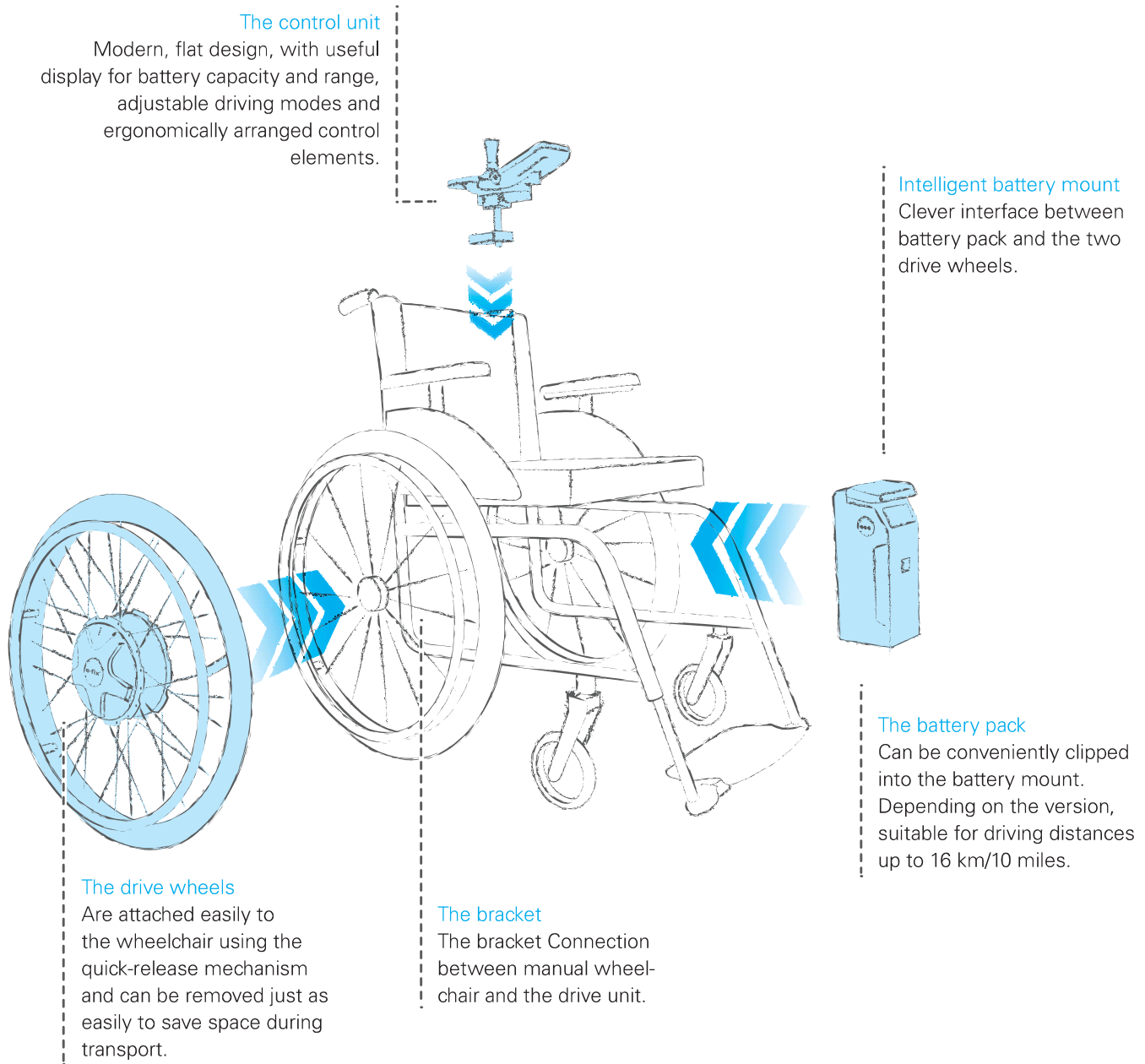
How it works:



Uncouple the drive wheel ...

... and push manually!

Use the quick-release mechanism to remove the drive wheels



The control unit

Modern, flat design, with useful display for battery capacity and range, adjustable driving modes and ergonomically arranged control elements.

Intelligent battery mount

Clever interface between battery pack and the two drive wheels.

The battery pack

Can be conveniently clipped into the battery mount. Depending on the version, suitable for driving distances up to 16 km/10 miles.

The drive wheels

Are attached easily to the wheelchair using the quick-release mechanism and can be removed just as easily to save space during transport.

The bracket

The bracket Connection between manual wheelchair and the drive unit.



Control unit

- Modern, flat design
- TFT-color display showing the capacity and range
- Other functions can be selected via the menu
- Continuously adjustable speed selection via a turn wheel (0.5 - 6 km/h - 0.3 - 3.7 mph)
- Buttons for On/Off, horn and ambient lighting
- Removable hand rest
- Other adjustment options for the individual adjustment via programmable parameters
- Bluetooth chip, connectivity to the e-fix mobility app (see page 21)



Battery pack

- Powerful lithium-ion battery cells for long service life
- Range up to 16 km/10 miles with 6.0 Ah battery pack (depending on the ground surface, the weight of the person, temperature, wheelchair settings and terrain)
- Easy to remove and reinsert
- Weight only 2.1 kg/4.6 lbs
- Integrated carrying handle
- Optional: 7.5 Ah battery pack offering a range of up to 20 km/12 miles (standard for the E36)
- The battery pack can be charged when on the wheelchair or when separated from it
- Socket for the control unit and battery charger plug: automatic contacting via magnet (EasyConnex)
- 24-month warranty



Battery mount

- Clever interface between battery pack and the two drive wheels
- Insert battery and lock in place with one "click"
- Automatic contacting of the battery pack
- Fixation using Velcro straps, optional fixed mounting
- With integrated fuses



Drive wheel E35/E36

- Motor, brakes, transmission and clutch integrated in the wheel hub
- Simple wheel fitting and removal without use of tools
- Different wheel sizes are available
- Conversion of manual wheels to ½" stub axle for an additional charge
- Simply uncouple the e-fix wheels to allow manual operation
- e-fix increases the wheelchair width by approx. 2-5 cm/1-2 inches



Version E35

- For persons weighing up to 120 kg/260 lbs
- Wheel size: 22" or 24", puncture-proof

Version E36

- For persons weighing up to 160 kg/260 lbs
- Wheel size: 24", puncture-protected



Automatic battery-charger

- Contacting to battery via intuitive EasyConnex magnetic plug
- Electronic charging and switch-off mechanism
- Automatic adaptation to the mains voltage (90 - 240 V)



e-fix mobility app

- Free of charge e-fix E35/E36 mobility app with useful functions and information
- For Android and iOS

The mobility app at a glance:

Guide:

- Brief operation instructions
- Error information with solution suggestions
- List of specialist dealers worldwide

Cockpit:

- Showing the remaining capacity and range
- Tour computer
- Recording of a travelled distance
- The prerequisite is an Internet-enabled smartphone and a control unit equipped with Bluetooth (recognisable by the Bluetooth symbol in the top left of the e-fix display). Without Bluetooth only limited range of functions, remaining capacity is not displayed
- Upgrade of existing e-fix systems without Bluetooth, contact our customer service for more information
- Enjoy additional functions with the optional Mobility Plus package (see page 27).

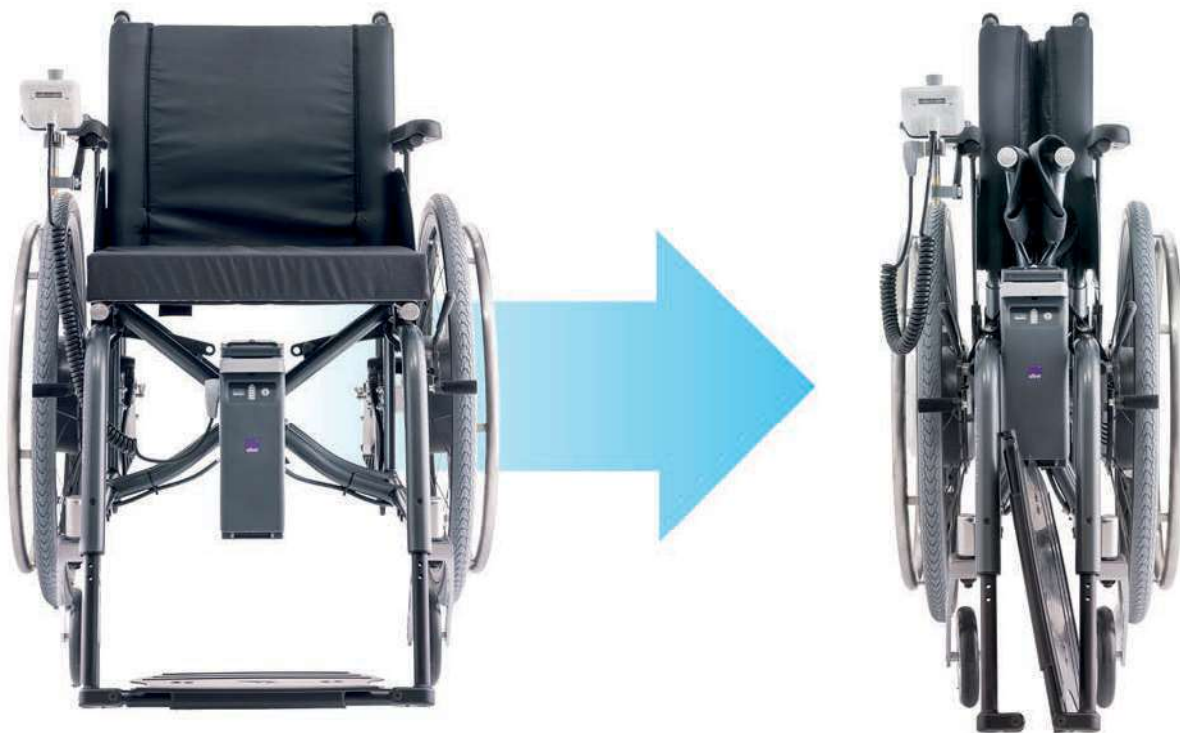


The e-fix mobility app:
Available at the Google Playstore
and App Store.



Compact foldable

Folding frame wheelchairs with the attached e-fix components can be folded up in one easy step. This makes space-saving parking or transport in the car easy.





Bracket

- Mechanical holder for drive wheels and at the same time distributor for power supply and control signals
- Please include in order, if not present
- Please indicate wheelchair type and seat width
- Go to dip.alber.de/en to conveniently check mounting options, download mounting instructions or order bracket



Bracket for control unit as attendant control

- Mounted onto the tubes of the wheelchair push handles
- Position is individually adjustable
- Control unit is simply replugged for the attendant
- Can be fitted on the right or left-hand side
- Adaptor cable recommended



Intuitive attendant control

- Simple and ergonomic operation by the attendant
- Sensors convert the control impulse into drive movement
- Also perfectly suitable for use on uneven terrain



Additional push handle

- Push handle extension for achieving the same distance as with the intuitive attendant control
- Recommended for ergonomic use of the e-fix via intuitive attendant control



Anti-tippers with swivelling and jack-up function

- Removable via quick-release device
- Height and length adjustable
- With automatic swivelling function for crossing curbs and thresholds
- Jack-up function for easy removal of the drive wheels
- Anti-tippers must be mounted in pairs



Conversion from screw to stub axles, Changing from 12-mm to ½" stub axles

- Conversion of existing wheels, so that e-fix and manual wheels fit into the same wheel adapter
- Simple conversion using adapter stub axles
- Conversion of wheels with drum brakes not possible
- For manual wheels, a wheel size of 1 3/8" must be observed, because a smaller or larger wheel size is not compatible with the brakes adjusted to the e-fix drive wheels.



Opti-Box

- Extension interface for the easy connection of:
 - Special controls
 - Speed stop/speed limit switches
 - External on/off switch

Compatible special control with the Opti-Box:



Protos® joystick by Humanelektronik

The waterproof Protos® joystick is ideal for people with missing hand motor function who are unable to perform normal joystick movements due to muscle weakness cannot perform the usual joystick movements. Minimal pressure against the joystick head is sufficient to steer the wheelchair. The Protos® joystick is used with the Protos® wheelchair control.

Contact person for the Protos® special control:
Humanelektronik GmbH, www.humanelektronik.de
Weinsheimer Str. 57 A, 67547 Worms, Germany, Tel. 06241 49691-0



Joystick VS (very-sensitive) from Wergen Systemtechnik

The joystick of the Wergen control system is suitable for people with spasticity, athetosis, ataxia, MS, cross section, ALS muscle atrophy and muscle dystrophy. The special feature is that the Wergen control adapts to the user. It enables the user to drive the wheelchair safely as well as to operate the computer/smartphone. computer/ smartphone operation. For more information please visit the website www.wergen.com. Contact person for the special control „Joystick VS“:

Wergen Systemtechnik, www.wergen.com
Grüner Waldweg 63, 34121 Kassel, Germany, Tel. 0561 73994525

Speed stop/speed limit switches



- For adapting e-fix to stand-up and lifting chairs
- Reduces the speed or prevents driving when the Speed
- Stop/Speed Limit switch is activated
- Opti-box required for the connection (optional)

External on/off switch



- To easily switch the e-fix on and off
- Large operating button that can be positioned freely
- Opti-box required for the connection (optional)



Swivel arm

- Control unit is swivelled away in parallel, making it easy to drive close up to tables
- Can be fitted on the right or left-hand side



Joystick option - T-handle

- Ergonomically shaped
- Width approx. 90 mm/3.5" (inside)
- With quick-on fixation



Joystick option - Special

- Ergonomically shaped
- Diameter approx. 40 mm/1.6"
- With quick-on fixation



Joystick option - Soft

- Ergonomically shaped
- Diameter approx. 70 mm/1.6"
- Washable
- With quick-on fixation



Extension for speed preselection

- Enlargement of the selection wheel
- Especially for users with limited hand/finger function
- Easy to retrofit



Protection bumper for protection against ramming

- Protects hands in case of collisions
- Sturdy design to protect the control unit
- Retrofitting possible



Tray table

- For wheelchairs with armrests
- Minimum height above the e-fix wheel 6 cm/2.4"
- The control unit is inserted into the tray table in the middle position



Spare battery pack (6.0 Ah)

- Spare battery to increase mobility
- Parallel charging of the spare battery
- Expedient also for professional use
- Easy to replace
- Weight: 2.1 kg/4.6 lbs
- Including transport bag



Increased capacity battery pack (7.5 Ah)

- Standard for 160 kg/350 lbs user weight drive variant (E36)
- Range up to 20 km (depending on the ground surface, the weight of the user, temperature, wheelchair settings and terrain)
- Weight: 2.1 kg/4.6 lbs



Transport bag or mounting set

- Bag for transporting the spare battery with holders for Velcro straps
- Mounting set, consisting of two short and two long Velcro straps, matching the bag



Fixed assembly of battery mount (set 1)

- For permanent mounting of the interface to the cross brace
- Specially for foldable standard and lightweight wheelchairs
- Rigid construction

Fixed assembly of battery mount (set 2)

- For permanent mounting of the interface to the cross tube
- Specially for rigid frame wheelchairs, comfort, lift or stand-up chairs
- Rigid construction



Spoke cover

- 22" spoke cover, transparent, plain
- 22" spoke cover with design "Alber"
- 24" spoke cover, transparent, plain
- 24" spoke cover with design "Alber"



Extension for coupling ring

- Especially for users with limited hand/finger function
- Makes it easier to couple/uncouple the drive wheel from manual to motorized mode
- Easy to retrofit
- Standard for 160 kg/350 lbs user weight drive variant (E36)



External charger socket

- Including universal bracket
- For convenient charging of the battery pack
- Free positioning on the wheelchair

Overview of the e-pilot Mobility Plus Package and its functions

MOBILITY PLUS PACKAGE



Mobility Plus Package

- Adds useful functions to the e-fix Mobility App such as the Speed travel mode or the easyNavi
 - The prerequisite is an Internet-enabled Android or Apple iOS smartphone and a control unit equipped with Bluetooth (recognisable by the Bluetooth symbol in the top left of the e-fix display)
 - Upgrade of existing e-fix systems without Bluetooth contact our customer service for more information
- Contains: Booklet with operating instructions and license code



SPEED

- Increases the maximum speed from 6 to 8 km/h / 4 to 5 mph*
- New dynamic driving experience with the e-fix



Remote

- Remote control of the unoccupied wheelchair using a smartphone
- You can choose whether to control it with the built-in inclination sensor (by gently tilting the smartphone) or with a virtual joystick



Phone

- Notification of incoming calls or SMS on the display

* The local road traffic act is to be considered regarding the maximum speed.



Drive wheel

	E35	E36
Size	22" or 24"	24"
Climbing and braking capability	up to 20 %	up to 15% with 160kg/350 lbs user weight up to 20% with 120kg/260 lbs user weight
Motor power rating	2 x 110 W	2 x 150 W
Speed	0.5 - 6 km/h / 0.4–4 mph	0.5 - 6 km/h / 0.4–4 mph
Operating voltage	36 V	36 V
Dimensions	Increases the wheelchair width by approx. 2 – 5 cm / 1 - 2 inch depending on the wheelchair	
	i Anti-tippers must be mounted in pairs	

Battery pack

	E35	E36
Battery cells	36 V, 6.0 Ah, 216 Wh (optional 7.5 Ah)	36 V, 7.5 Ah, 270 Wh
Range	up to 16 km / 10 miles (optional up to 20 km/13 miles)	up to 18 km/11 miles (optional up to 14 km/8.7 miles)
	Leak-proof and maintenance-free, lithium-ion battery, 24-month warranty depending on the ground surface, the weight of the user, temperature and terrain	

Control unit

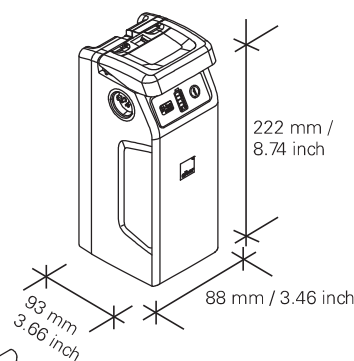
Illuminated TFT display	Battery capacity indicator, clearly coloured and helpful information and fault display via text and image
Settings	Speed preselection, programmable driving parameters (max. speed, acceleration, deceleration, sensitivity, curve radius, acoustic signal, braking onset, automatic power-save, joystick deflection) No external programming device required

Battery charger

Input voltage	90–240 V (AC), 50–60 Hz, automatic adaption to the main voltage, automatic charging and switch-off mechanism
Output voltage	45 V (DC)
Charging current	1.5 A
Charging time	approx. 5 hours at 6.0 Ah battery pack

Weight

	E35	E36
Total weight	19.3 kg/42.5 lbs	19.1 kg/42.1 lbs
Battery pack	2.1 kg/4.6 lbs	2.1 kg/4.6 lbs
Drive wheel	7.9 kg/17.5 lbs	7.8 kg/17.3 lbs
Control unit	0.6 kg/1.3 lbs	0.6 kg/1.3 lbs
Interface	0.8 kg/1.6 lbs	0.8 kg/1.6 lbs
i Weight of the person	max. 120 kg/260 lbs	max. 160 kg/350 lbs
Permissible total weight	max. 170 kg/370 lbs	max. 210 kg/460 lbs



complies with the European Medical Device Regulation (MDR) 2017/745

