

Customer Name: _____ NDIS Number: _____

Date: _____ Mobile: _____ Customer Email: _____

Address: _____ City: _____ State: _____ Postcode: _____

Zenit

Price List and Order Form

Active wheelchair

Article number: 480F160=1_AA02_C



| | |
|--|----------------------------|
| Zenit | Order no: _____ |
| Provide estimate only | Order |
| Customer fabrication enclosed | |
| Sales Person: _____ | Date _____ Signature _____ |
| <p>By placing the order, you agree to comply with the instructions for use/service manuals for accessories and products of other manufacturers when combining them with an Ottobock product, in addition to the instructions for use/service manuals of the respective Ottobock products. Also you confirm to have read, understood and accepted, our general terms and conditions. In addition, you agree, upon placing an order, to conduct your own conformity assessment or approval in accordance with national requirements if and when you implement modifications or attachments that do not meet the specifications of Ottobock instructions for use/service manuals.</p> | |

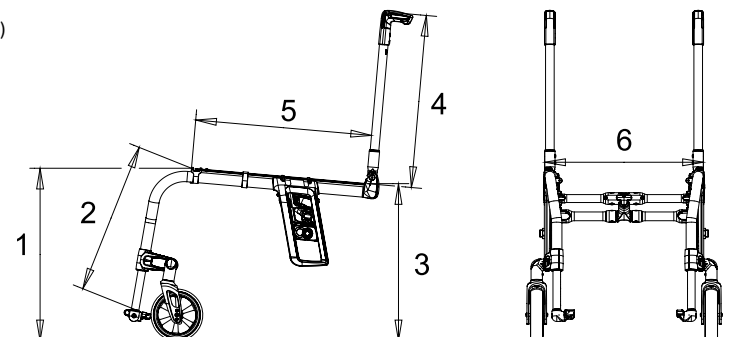
Standard equipment

- Open aluminium tube frame, foldable
- Choice of front frame offset
- Foldable leg support
- Back support upholstery adjustable
- Aluminium side panels
- Modular design
- Drive wheels with quick release axles
- Knee lever wheel lock 4.0
- Calf strap

Folding, max. user weight 120 kg
Crash-tested according to DIN ISO 7176-19

Wheelchair measurements*

- 1 Anterior seat height (ASH)
= ground to top of seat upholstery
- 2 Lower leg length (LL)
= top of seat upholstery to top of foot plate (without seat cushion)
- 3 Posterior seat height (PSH)
= ground to top of seat upholstery
- 4 Back support height (BH)
= top of seat tube (crossbrace) to top of back support upholstery
- 5 Seat depth (SD)
= front of seat upholstery to back support tube
- 6 Seat width (SW)
= outside edge of frame tube to outside edge of frame tube



A manufacturing tolerance of 10 mm applies to all measurements and of 10% to specified weights.

The number codes contained in this order form are not intended to be used as article numbers for spare parts orders. Please use the spare parts catalogue for spare parts orders.

| DESCRIPTION | | WEIGHT | ADDITIONAL CHARGE |
|--|--|---------|---------------------|
| EQUIPMENT | | | |
| MA 110 | Standard | | + \$4,536.00 |
| FRAME TUBE MATERIAL | | | |
| MA 08 | Aluminium | | |
| MA 12 | Carbon (only with 85° and 2 cm offset/abduction) (max. load capacity 100 kg) | | + \$712.80 |
| SPRING SUPPORT FOLDING MECHANISM | | | |
| MA 120 | Standard | | |
| FRONT FRAME ANGLE | | | |
| MA 20 | 75° | | |
| MA 21 | 85° | | |
| FRONT FRAME OFFSET | | | |
| MA 14 | 0 cm offset | | |
| MA 15 | 2 cm offset | | |
| MA 30 | 2 cm abduction (possible up to SW 42 cm) | | |
| FRONT FRAME EXTENSION | | | |
| MA 23 | 3 cm | | + \$145.80 |
| SEAT WIDTH SW IN CM | | | |
| 32 34 36 38 40 42 44 46 | | | |
| SEAT DEPTH SD IN CM | | | |
| 36 38 40 42 44 46 48 50 | | | |
| ANTERIOR SEAT HEIGHT IN CM | | | |
| 38 39 40 41 42 43 44 45 46 47 48 49 50 51 52 53 54 | | | |
| FRAME ACCESSORIES | | | |
| MA 51 | Tip-assist, right | + 270 g | + \$63.00 |
| MA 52 | Tip-assist, left | + 270 g | + \$63.00 |
| MA 55 | Anti-tipper, right | + 517 g | + \$147.60 |
| MA 56 | Anti-tipper, left | + 517 g | + \$147.60 |
| MA 60 | Frame pad | + 42 g | + \$81.00 |
| CASTER WHEELS | | | |
| MF 30 | 4" solid rubber, black | | |
| MF 35 | 4" soft caster, aluminium | | + \$198.00 |
| MF 31 | 5" solid rubber, black | | |
| MF 36 | 5" soft caster, aluminium | | + \$198.00 |
| MF 04 | 5.5" soft caster, grey | | |
| MF 05 | 6" pneumatic tyre | | |
| MF 32 | 6" solid rubber, black | | |
| MF 37 | 6" soft caster, aluminium | | + \$198.00 |
| CASTER WHEEL AXLE | | | |
| MF 90 | Caster wheel forks with threaded axles | | |

| DESCRIPTION | | WEIGHT | ADDITIONAL CHARGE | |
|---|--|--------|-------------------|--------------|
| POSTERIOR SEAT HEIGHT IN CM | | | | |
| 37 38 39 40 41 42 43 44 45 46 47 48 49 50 | | | | |
| DRIVE WHEEL SIZE | | | | |
| MG 02 | 24" | | | |
| MG 00 | 25" | | | |
| Drive wheel camber 0° 2° 3° 4° | | | | |
| DRIVE WHEEL RIM | | | 24" | 25" |
| MG 06 | Hollow rims | | . | . |
| MG 10 | Spinergy SPOX | | - 360 g | + \$590.40 |
| MG 11 | Spinergy LX | | - 400 g | + \$1,279.80 |
| MG 12 | Spinergy LXL Blade, black spokes | | - 660 g | + \$1,256.40 |
| MG 12 | Spinergy LXL Blade, Blade, white spokes | | - 660 g | + \$1,256.40 |
| MG 15 | Infinity Ultralight (not possible in combination with MG 34) | | - 720 g | + \$162.00 |
| MG 150 | Infinity Ultralight, coloured (not possible in combination with MG 34) | | - 720 g | + \$264.60 |
| COLOUR SET INFINITY ULTRALIGHT/CASTER WHEEL FORK | | | 24" | 25" |
| | Sparkle light orange | | . | + \$264.60 |
| | Marine blue | | . | + \$264.60 |
| | Candy red | | . | + \$264.60 |
| | Sparkle granny-smith | | . | + \$264.60 |
| TYRES | | | 24" | 25" |
| MG 31 | Schwalbe RightRun, 1" | | . | . |
| MG 34 | PU 1" (not possible in combination with MG 15/MG 150) | | + 344 g | . |
| MG 341 | PU 1", black (not possible in combination with MG 15/MG 150) | | + 344 g | . |
| MG 37 | Schwalbe Marathon Plus Evolution, 1" | | + 374 g | + \$82.80 |
| MG 200 | Schwalbe ONE 1" | | - 226 g | + \$90.00 |
| HANDRIMS | | | 24" | 25" |
| MG 50 | Aluminium, black coated, high | | . | . |
| MG 52 | Aluminium, silver anodised, high | | - 40 g | + \$21.60 |
| MG 53 | Aluminium, silver anodised, low | | - 120 g | + \$21.60 |
| MG 54 | Rubber-coated | | + 500 g | + \$216.00 |
| MG 56 | Stainless steel, polished, high | | + 620 g | + \$81.00 |
| MG 57 | Stainless steel, polished, low | | + 580 g | + \$81.00 |
| MG 63 | CURVE L (anodised) | | + 200 g | + \$540.00 |
| MG 64 | CURVE L Grip for users with limited gripping function | | + 840 g | + \$567.00 |
| MG 65 | GEKKO, ergonomic handrim | | + 580 g | + \$424.80 |
| HANDRIM MOUNTING | | | | |
| MG 70 | Mounting position narrow (15 mm) | | | |
| MG 71 | Mounting position wide (25 mm) | | | |

| DESCRIPTION | WEIGHT | ADDITIONAL CHARGE |
|---|--------|-------------------|
| TIPPING POINT IN CM (MEASURED PARALLEL TO THE GROUND) | | |
| 5 6 7 8 9 10 11 12 13 14 | | |
| Alternative measuring method (specification of the horizontal drive wheel position of the Avantgarde) | | |
| A B C D E F G H | | |
| (Tick the drive wheel position of your Avantgarde, we calculate the tipping point) | | |
| Measured from the centre of the drive wheel to the back cane (see diagram below) | | |



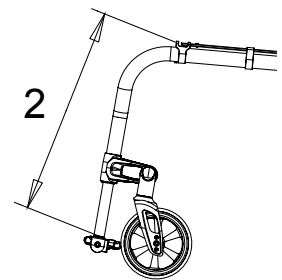
| QUICK-RELEASE AXLE SYSTEM | | | |
|--|---|---------|------------|
| MG 27 | Quick-release axle | | |
| MG 28 | Quick-release axle with Tetra release | + 158 g | + \$169.20 |
| DRIVE WHEEL ACCESSORIES | | | |
| MG 87 | High-Pressure air pump , 14 bar | | + \$181.80 |
| WHEEL LOCKS | | | |
| MH 01 | Knee lever wheel lock 4.0 | | |
| MH 30 | Knee lever wheel lock 4.0, long lever | | |
| MH 05 | Scissor wheel lock | - 142 g | + \$126.00 |
| WHEEL LOCK ACCESSORIES | | | |
| MH 10 | Wheel lock lever extension, fixed | + 70 g | + \$63.00 |
| MH 21 | Wheel lock lever extension, pluggable | + 34 g | + \$52.20 |
| BACK SUPPORT HEIGHT IN CM | | | |
| 25 27.5 30 32.5 35 37.5 40 42.5 45 47.5 50 | | | |
| BACK SUPPORT SYSTEM | | | |
| MD 01 | Back support, straight (measured 90° to seat tube) | | |
| MD 11 | Angle-adjustable, fold-down onto seat tubes (-10°/-5°/0°/+5°/+10°) | + 240 g | + \$642.60 |
| MD 13 | Back support angle according to customer request measured 90° to the ground) 0° -5° -10° | | + \$142.20 |

| DESCRIPTION | | WEIGHT | ADDITIONAL CHARGE |
|---|--|----------|-------------------|
| BACK SUPPORT UPHOLSTERY | | | |
| MD 03 | Adaptable, padded | | + \$72.00 |
| MD 05 | Adaptable, breathable | | |
| MD 18 | Ultra light | | + \$59.40 |
| MD 06 | Without | | |
| BACK SUPPORT PAD WIDENING | | | |
| MD 80 | +2 cm | | + \$27.00 |
| MD 81 | +4 cm | | + \$27.00 |
| MD 82 | Without | | |
| USE OF BAXX BACK SUPPORT SYSTEM (INCLUDE ORDER FORM, MODEL-SPECIFIC RESTRICTIONS ARE POSSIBLE) | | | |
| MD 44 | BAXX Aluminium back support (not mounted) | | |
| PUSH HANDLES | | | |
| MD 50 | Short | | |
| MD 51 | Long | + 128 g | |
| MD 55 | Height-adjustable/removable | + 580 g | + \$252.00 |
| MD 56 | Fold-down | + 108 g | + \$252.00 |
| MD 59 | Without | - 258 g | |
| SIDE PANELS | | | |
| ME 02 | Aluminium, with splash guard and protection against cold | | |
| ME 04 | Carbon, with splash guard | - 256 g | + \$865.80 |
| ME 05 | With arm support short | + 2490 g | + \$457.20 |
| ME 06 | With arm support long | + 2180 g | + \$457.20 |
| SEAT UPHOLSTERY | | | |
| MC 15 | Seat upholstery with storage compartment | | + \$72.00 |
| MC 16 | Upholstery readjustable | | |
| MC 18 | Ultra light | | + \$59.40 |
| MC 06 | Without | | |
| SEAT CUSHIONS | | | |
| MC 01 | Standard (thickness of cushion 5 cm) | | + \$162.00 |
| MC 02 | Cubic Foam (thickness of cushion 5 cm) | | + \$223.20 |
| MC 05 | Evolight (thickness of cushion 6 cm) | | + \$538.20 |
| MC 20 | Terra (thickness of cushion 10 cm) | | + \$360.00 |
| MC 21 | Terra Aquos (thickness of cushion 10 cm) | | + \$406.80 |
| MC 22 | Terra Flair (thickness of cushion 10 cm) | | + \$891.00 |
| MC 23 | Cloud (thickness of cushion 10 cm) | | + \$1,038.60 |
| MC 29 | Livo (thickness of cushion 5 cm) | | + \$171.00 |
| MC 30 | Evoflair (thickness of cushion 8 cm) | | + \$558.00 |

| DESCRIPTION | | ADDITIONAL CHARGE |
|-------------------------|---------------------------------|-------------------|
| SPOKE PROTECTORS | | |
| MG 90 | Spoke protector, transparent | + \$158.40 |
| MG 100 | Spoke protector, Graphics decor | + \$352.80 |
| MG 101 | Spoke protector, Miracle decor | + \$352.80 |
| MG 102 | Spoke protector, Network decor | + \$352.80 |
| MG 103 | Spoke protector, Robots decor | + \$352.80 |
| MG 104 | Spoke protector, Spectrum decor | |
| FRAME COLOURS | | |
| 001 | Brilliant silver | + \$585.00 |
| 002 | Anthracite metallic | + \$585.00 |
| 003 | Jet black RAL 9005 | + \$585.00 |
| 004 | Ice blue | + \$585.00 |
| 005 | Sparkle light orange | + \$585.00 |
| 009 | Vinho sparkle | + \$585.00 |
| 010 | Marine blue | + \$585.00 |
| 012 | Sky blue | + \$585.00 |
| 048 | Jet black matte (structure) | + \$585.00 |
| 014 | Candy red | + \$585.00 |
| 021 | Sparkle granny smith | + \$585.00 |
| 023 | White RAL 9016 | + \$585.00 |
| 027 | Shimano matte | + \$585.00 |
| 039 | Black, anodised, matte | |
| 040 | Anthracite, anodised, matte | |
| 041 | Gold, anodised, matte | |
| 042 | Blue, anodised, matte | |
| 043 | Orange, anodised, matte | |
| 044 | Green, anodised, matte | |
| 045 | Purple, anodised, matte | |
| 046 | Red, anodised, matte | |

ottobock. Zenit

| DESCRIPTION | |
|---|------------|
| LOWER LEG LENGTH IN CM (WITHOUT SEAT CUSHION) | |
| Lower leg length (LL) in cm (available setting range 28 cm – 51 cm) | |
| MB 130 | Adjustable |



| DESCRIPTION | | WEIGHT | ADDITIONAL CHARGE |
|--------------------------------|---|---------|-------------------|
| LEG SUPPORTS (FOLDING) | | | |
| MB 160 | Single-panel, aluminium | | + \$198.00 |
| MB 180 | Single-panel, carbon | - 177 g | + \$207.00 |
| LEG SUPPORT ACCESSORIES | | | |
| MB 70 | Lock for single-panel foot plate | | + \$108.00 |
| OTHER ACCESSORIES | | | |
| MZ 51 | Lap belt with metal buckle | | + \$126.00 |
| MZ 59 | Pocket for mobile phone | | + \$36.00 |
| SPECIAL ACCESSORIES | | | |
| MZ 52 | Tool kit | | + \$54.00 |
| MZ 58 | Bag for drive wheels (for 2 drive wheels up to 28") | | + \$162.00 |
| MZ 70 | Kit for transportation in a motor vehicle | | + \$486.00 |
| MZ 89 | Quick-release axle protection | | + \$14.40 |
| MZ 92 | Wheelblades (Mini-skis for caster wheels) | | + \$603.00 |
| MZ 93 | Backpack | | + \$99.00 |

INFORMATION



MG 06 Hollow rim



MG 10 Spinergy SPOX



MG 11 Spinergy LX



MG 15 Infinity Ultralight



MF 35/36/37 4/5/6" soft caster



MG 100 Graphic



MG 103 Robots



MG 104 Spectrum