






WGX50 Wedge Grips

<https://jlwforce.com/collections/wedge-grips/products/wgx50-wedge-grips>

- **Force capacity:** 50 kN [11,240 lbF]
- **Jaw opening:** 0-30 mm (depending on jaw choice)
- **Jaw Width:** 80 mm
- **Connection:** 31.8 mm (5/8") female eye end - [Adapters for other sizes](#)
- **Grip body:** Anodized aluminum
- **Jaws:** Steel, nickel-plated

Jaws

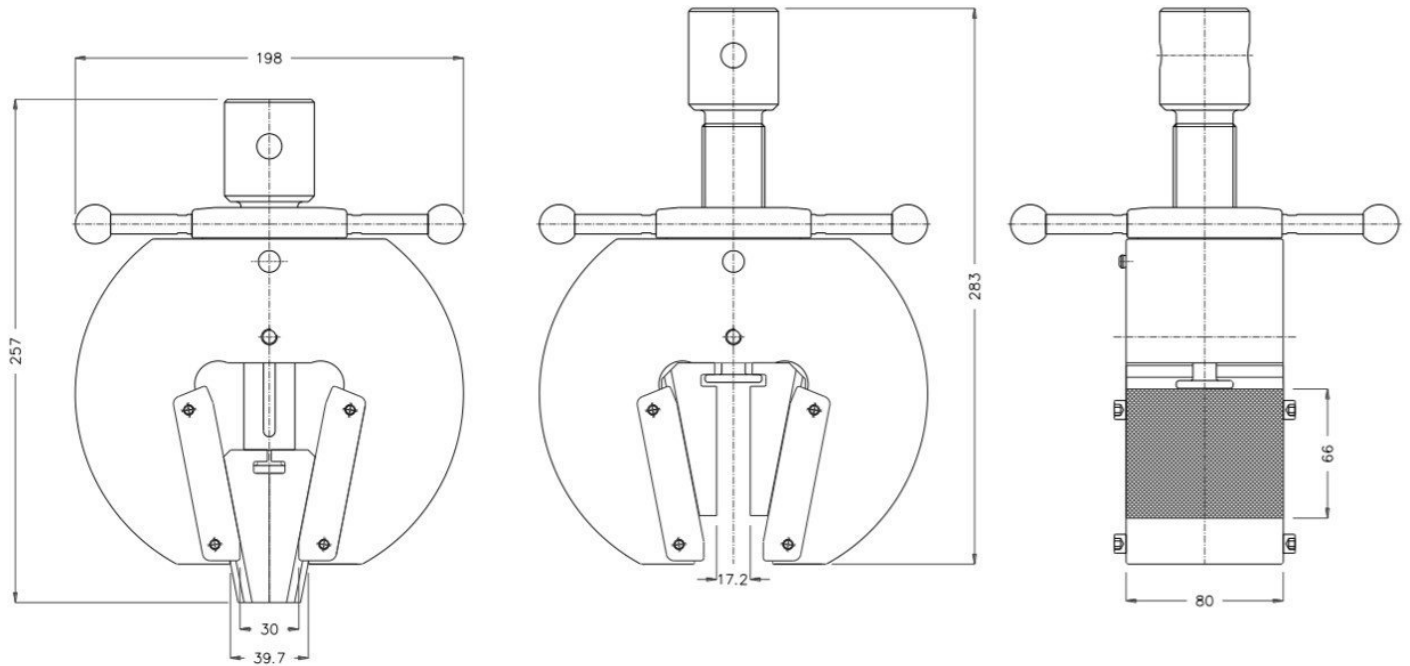
Jaw Type		Opening		Weight of 1 grip with pair of jaws	
Pyramid		0-17 mm	0 - 0.67 in	17.27 kg	37.99 lbs
Pyramid		15-30 mm	0.59 - 1.18 in	16.74 kg	36.82 lbs
V-Jaws		Sample Ø 5–17 mm	Sample Ø 0.20 - 0.67	17.28 kg	38.02 lbs
V-Jaws		Sample Ø 16–30 mm	Sample Ø 0.63 - 1.18	16.75 kg	36.85 lbs

Included Items

- (1) Wedge Grip
- (2) Jaws
- (1) Clevis Pin

Dimensions (mm)

Dimensions shown are for the wedge grip with pyramid jaws with an opening of 0-17 mm. It's the same grip as used with the other jaws.



- Eye End Connection Dimensions

