



VG200 Vice Grips

- **Force capacity:** 1 kN [200 lbF]
- **Jaw opening:** 0-30 mm (depending on jaw choice)
- **Connection:** 15.9 mm (5/8") female eye end
 - Adapters are available for other sizes
- **Grip body:** Anodized aluminum
- **Jaws:** Steel, nickel-plated



Jaw Type		Description	Size (H x W)	Opening	Weight of 1 grip with pair of jaws	
Pyramid		Pyramids 1.2x45° Hardened steel 58 HRC Nickel-plated	30 x 30	0-30 mm 0-1.18 in	0.45 kg	.99 lbs
			30 x 50		0.54 kg	1.19 lbs
			30 x 80		0.68 kg	1.50 lbs
			30 x 100		0.78 kg	1.72 lbs

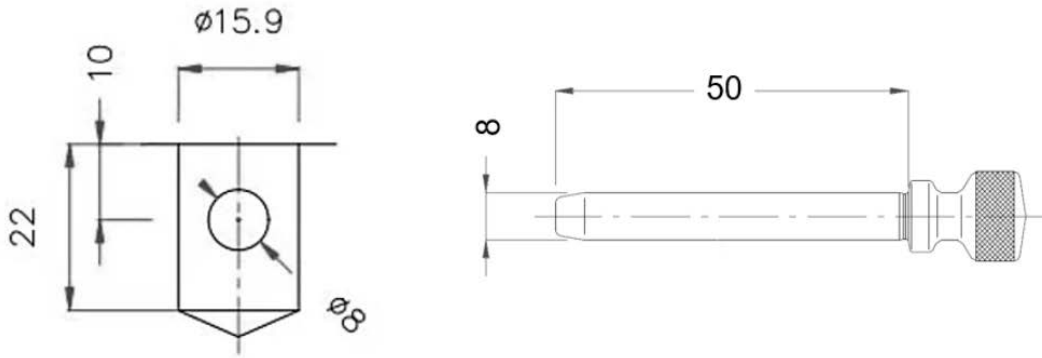
Jaw Type		Description	Size (H x W)	Opening	Weight of 1 grip with pair of jaws	
Rubber		1 mm rubber coating (NBR) Nickel-plated	30 x 30	0-28 mm 0-1.10 in	0.46 kg	1.01 lbs
			30 x 50		0.56 kg	1.23 lbs
			30 x 80		0.7 kg	1.54 lbs
			30 x 100		0.79 kg	1.74 lbs

Jaw Type		Description	Size (H x W)	Opening	Weight of 1 grip with pair of jaws	
Wave		For flexible materials Wave 5 mm Hardened steel 58HRC Nickel-plated	30 x 30	0-30 mm 0-1.18 in	0.45 kg	0.99 lbs
			30 x 50		0.53 kg	1.17 lbs
			30 x 80		0.65 kg	1.43 lbs
			30 x 100		0.84 kg	1.85 lbs

Jaw Type		Description	Size (H x W)	Opening	Weight of 1 grip with pair of jaws	
V-Jaw		For all kinds of round samples Tooth pitch 1 mm Hardened steel 58HRC Nickel-plated	30 x 30	Ø 3 - 30 mm	0.13 kg	0.29 lbs

Connection Dimensions [mm]

- 5/8 inch (15.9 mm) eye end
- 8 mm clevis pin



Grip Dimensions [mm]

