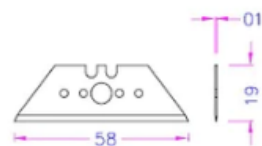
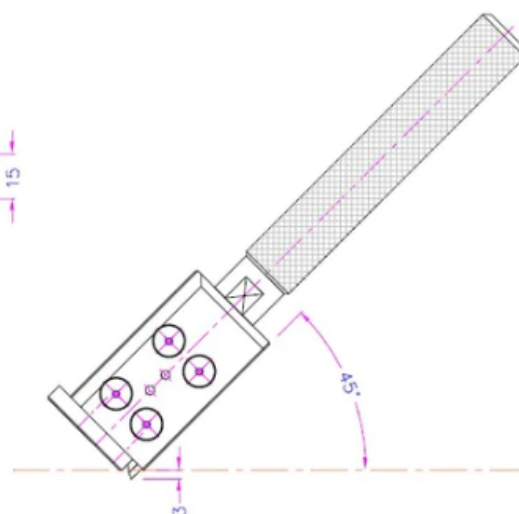
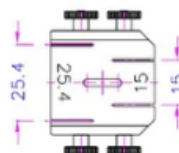
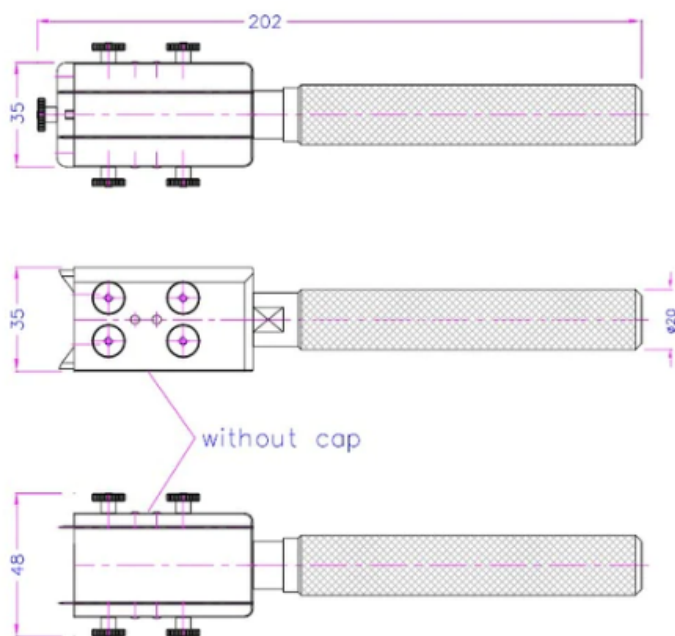


Handheld Sample Cutter

1 inch Film, ASTM F88, ASTM D882 SP1232-25.4

Specifications

- Cutting width: 15 mm and 25.4 mm depending on which side is used.
- Cutting depth: 3 mm
- Housing + handle: Aluminum
- Razor blades: Bimetal, TiN-covered
- Weight: 0.3 kg per cutter without razor blades
- Scope of supply: 1 dual blade sample cutter incl. 4 razor blades



Blades