



Round Compression Plates

Aluminum Round Compression Plates

Model	Diameter		Load Capacity		Material	Eye End Coupling (Fitting)		Weight	
	mm	inches	kN	lbF		inches	mm	kg	lbs
CP56-AL	56	2.2	10	2,250	*Aluminum	5/8	15.9	0.09	0.20
CP96-AL	96	3.78	10	2,250	*Aluminum	5/8	15.9	0.22	0.48
CP116-AL	116	4.56	10	2,250	*Aluminum	5/8	15.9	0.39	0.86
CP156-AL	156	6.14	10	2,250	*Aluminum	5/8	15.9	0.64	1.41
CP196-AL	196	7.72	10	2,250	*Aluminum	5/8	15.9	1.23	2.71
CP246-AL	246	9.69	10	2,250	*Aluminum	5/8	15.9	1.86	4.09

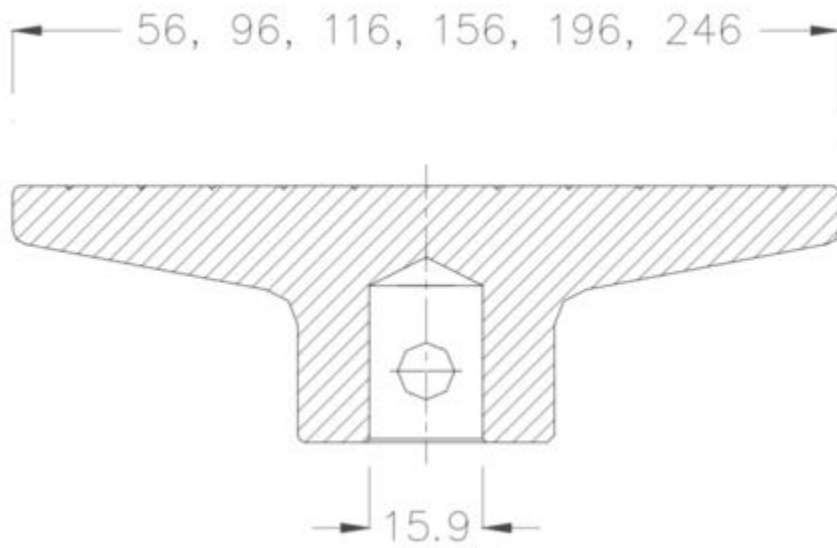
*Anodized aluminum

Steel Round Compression Plates

Model	Diameter		Load Capacity		Material	Eye End Coupling (Fitting)		Weight	
	mm	inches	kN	lbF		inches	mm	kg	lbs
CP56-ST	56	2.2	20	4,500	*Steel	5/8	15.9	0.09	0.20
CP96-ST	96	3.78	20	4,500	*Steel	5/8	15.9	0.60	1.32
CP116-ST	116	4.56	20	4,500	*Steel	5/8	15.9	1.00	2.20
CP156-ST	156	6.14	20	4,500	*Steel	5/8	15.9	2.03	4.47
CP196-ST	196	7.72	20	4,500	*Steel	5/8	15.9	3.30	7.26
CP246-ST	246	9.69	20	4,500	*Steel	5/8	15.9	7.77	17.09

*Hardened steel 58 HRC, nickel-plated

Dimensions in[mm]



Eye End Coupling/Fitting Dimensions [mm]

