



## Setting New Standards in Laboratory & Industrial Weighing— The Next Generation of Scout Balances

Ideal for laboratory & industrial applications, the OHAUS Scout features an easy to navigate color touchscreen display & a slim design which allows stackable storage. Geared for superior performance with fast stabilization time and high resolution weighing results, these portable balances set a new standard for a broad range of weighing applications. Features also include superior overload protection and expanded connectivity options.

### Standard Features Include:

- **Quick and Efficient Navigation with the Informative Color Touchscreen Display**  
Large, resilient color touchscreen allows for effortless operation of the Scout through its informative icon driven menu structure, guiding the user through every step of the weighing application.
- **Fast Weighing Speed and High Resolution Deliver Repeatable and Reliable Results**  
Stabilization time as fast as 1 sec means increased productivity in your facility. Equipped with advanced weighing technology, the Scout also ensures repeatable and reliable weighing results.
- **Superior Overload Protection & Stackable Storage Drive Overall Durability**  
Integrated superior overload protection system rated at 10 times the capacity protects the balance in rugged and demanding environments. The space-saving, slim design allows for stackable storage.
- **Multiple Connectivity Options for Greater Flexibility in Communication**  
With expanded connectivity options including RS232, USB Host, USB Device, Ethernet and Bluetooth<sup>®</sup>, the Scout provides added versatility to your data collection and transfer needs.

# Scout® Portable Balances

## Navigate and Operate the Balance Easily with the Informative Touchscreen Display

Portable balance operation has never been easier, faster or as intuitive as the new OHAUS Scout with color touchscreen display. You'll navigate easily through the Scout's resistive touchscreen interface and icon-driven menu structure, maneuver efficiently in and out of application modes, change weighing units with a simple press of the screen and execute setup and calibration functions in no time. The OHAUS Scout with color touchscreen display creates a new level of unmatched efficiency and functionality in portable weighing.

A real-time clock function keeps accurate time even during power loss. Additionally, GLP/GMP tracking capabilities assist in the monitoring and reporting of data.

## Increased Efficiency and Productivity in your Facility

It's all about accuracy and efficiency with the OHAUS Scout Touchscreen balance. Stabilization time as fast as 1 sec means increased productivity in the lab, or on the line. With improved resolution, you can count on extremely precise and repeatable weighing results time and time again.

## Scout's Signature Durability Remains Unrivaled

You would expect nothing less from OHAUS than the most durable portable weighing product - that's why we've included our superior overload protection rated at 10 times the capacity of the balance, high strength stainless steel pan, impact-resistant pan support and integrated transportation/storage lock. We've even ensured that the high quality, resistive touchscreen is built to last. To complement our signature durability, the Scout Touchscreen is designed to be stackable when utilizing the included stacking and storage cover, which also protects the balance when not in use.

## Versatile Data Collection and Transfer

With expanded connectivity options now featuring Bluetooth®, the OHAUS Scout offers more versatility for convenient data logging, communication and remote functionality. Utilize the Bluetooth® accessory to remotely control the balance from your mobile device or tablet for Android™\*\*. Perform functions such as Zero, Tare, Print, Power Off and more. Other accessories include RS232, USB Device, USB Host and Ethernet. With the USB Host option, you can simply save and transfer data from the balance to a USB drive.

## Draftshield Model Available

Scout's ingenious draftshield (1mg models only) was designed with an easy to remove top cover piece. This serves as a wind protection ring which keeps the weighing surface stable in rough environments, while maintaining weighing speed.

\*The Bluetooth word mark and logos are registered trademarks owned by Bluetooth SIG, Inc. and any use of such marks by OHAUS is under license.

\*\*Android is a trademark of Google Inc.





**Draftshield**  
Protects the sample from external influences, increasing the speed and repeatability of measurements



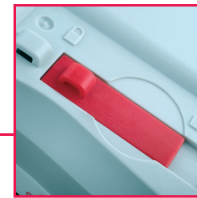
**Connectivity**  
Expanded connectivity options including RS232, USB Host, USB Device, Ethernet and Bluetooth®



**Weigh Below Hook**  
The integral weigh below hook on the bottom of the Scout allows for density determination or specific gravity calculations



**Security Slot**  
Integrated security slot prevents theft



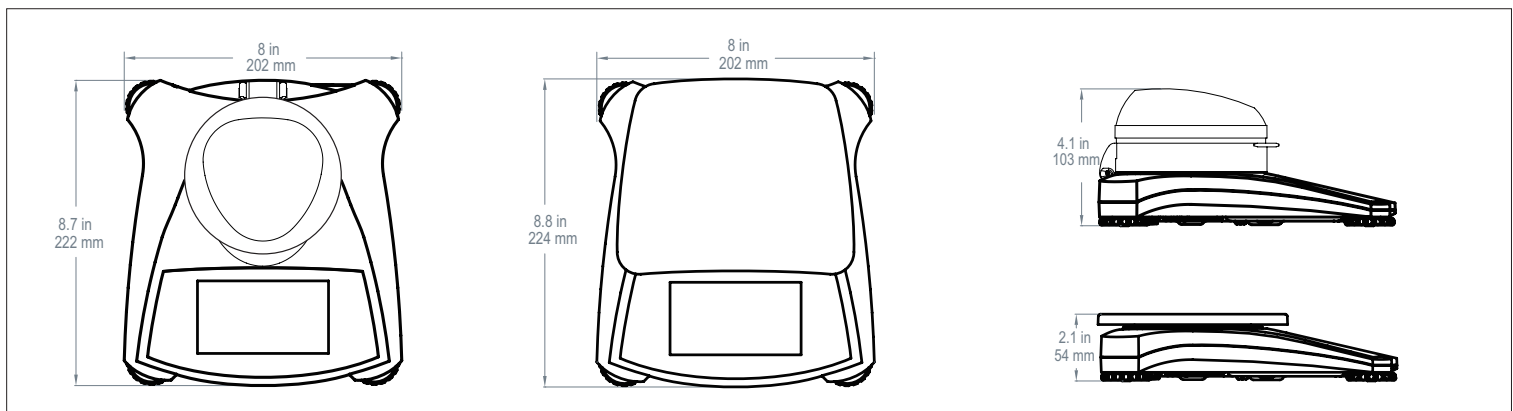
**Lockswitch**  
The Scout can be locked into a specific configuration using the lockswitch

**Color Touch Screen Display**  
Informative icon-driven touchscreen display for easy navigation

## Capacity & Readability by Weighing Unit

| Model               | STX123            | STX223            | STX222          | STX422           | STX622                  | STX1202                  | STX2202                  | STX421         | STX621                 | STX2201                 | STX6201                  | STX8200              |
|---------------------|-------------------|-------------------|-----------------|------------------|-------------------------|--------------------------|--------------------------|----------------|------------------------|-------------------------|--------------------------|----------------------|
| Gram (g)            | 120 × 0.001       | 220 × 0.001       | 220 × 0.01      | 420 × 0.01       | 620 × 0.01              | 1200 × 0.01              | 2200 × 0.01              | 420 × 0.1      | 620 × 0.1              | 2200 × 0.1              | 6200 × 0.1               | 8200 × 1             |
| Kilogram (kg)       | /                 | /                 | /               | /                | /                       | 1.2 × 0.00001            | 2.2 × 0.00001            | /              | /                      | 2.2 × 0.0001            | 6.2 × 0.0001             | 8.2 × 0.001          |
| Carat (ct)          | 600 × 0.005       | 1100 × 0.005      | 1100 × 0.05     | 2100 × 0.05      | 3100 × 0.05             | 6000 × 0.05              | 11000 × 0.05             | 2100 × 0.5     | 3100 × 0.5             | 11000 × 0.5             | 31000 × 0.5              | 41000 × 5            |
| Newton (N)          | 1.17679 × 0.00001 | 2.15744 × 0.00001 | 2.1574 × 0.0001 | 4.1188 × 0.0001  | 6.0801 × 0.0001         | 11.7679 × 0.0001         | 21.5744 × 0.0001         | 4.119 × 0.001  | 6.080 × 0.001          | 21.574 × 0.001          | 60.801 × 0.001           | 80.41 × 0.01         |
| Ounce (oz)          | 4.23290 × 0.00005 | 7.76030 × 0.00005 | 7.7600 × 0.0005 | 14.8150 × 0.0005 | 21.8700 × 0.0005        | 42.3290 × 0.0005         | 77.6030 × 0.0005         | 14.815 × 0.005 | 21.870 × 0.005         | 77.600 × 0.005          | 218.700 × 0.005          | 289.25 × 0.05        |
| Ounce Troy (ozt)    | 3.85810 × 0.00005 | 7.07320 × 0.00005 | 7.0730 × 0.0005 | 13.5030 × 0.0005 | 19.9335 × 0.0005        | 38.5810 × 0.0005         | 70.7320 × 0.0005         | 13.500 × 0.005 | 19.930 × 0.005         | 70.730 × 0.005          | 199.335 × 0.005          | 263.60 × 0.05        |
| Pennyweight (dwt)   | 77.162 × 0.001    | 141.463 × 0.001   | 141.46 × 0.01   | 270.07 × 0.01    | 398.67 × 0.01           | 771.62 × 0.01            | 1414.63 × 0.01           | 270.1 × 0.1    | 398.7 × 0.1            | 1414.6 × 0.1            | 3986.7 × 0.1             | 5270 × 1             |
| Pound (lb)          | /                 | /                 | /               | /                | 1.36690 × 0.00005       | 2.64555 × 0.00005        | 4.85020 × 0.00005        | /              | 1.3670 × 0.0005        | 4.8500 × 0.0005         | 13.6685 × 0.0005         | 18.080 × 0.005       |
| Pound:Ounce (lb:oz) | /                 | /                 | /               | /                | 1lb:5.8700oz × 0.0005oz | 2lb:10.3290oz × 0.0005oz | 4lb:13.6030oz × 0.0005oz | /              | 1lb:5.8700oz × 0.005oz | 4lb:13.6000oz × 0.005oz | 13lb:10.7000oz × 0.005oz | 18lb:1.250z × 0.05oz |
| Grain (grn)         | 1851.88 × 0.02    | 3395.12 × 0.02    | 3395.0 × 0.2    | 6481.6 × 0.2     | 9568.0 × 0.2            | 18518.8 × 0.2            | 33951.2 × 0.2            | 6480 × 2       | 9570 × 2               | 33950 × 2               | 95680 × 2                | 126540 × 20          |

## Outline Dimensions



# Scout® Portable Balances

| Model                              | STX123  | STX223     | STX222                                 | STX422     | STX622     | STX1202                       | STX2202    | STX421              | STX621     | STX2201                       | STX6201    | STX8200    |
|------------------------------------|---|------------|--|------------|------------|-------------------------------|------------|---------------------|------------|-------------------------------|------------|------------|
| Capacity (g)                       | 120   | 220        | 220                                    | 420        | 620        | 1200                          | 2200       | 420                 | 620        | 2200                          | 6200       | 8200       |
| Readability (g)                    | 0.001   | 0.001      | 0.01                                   | 0.01       | 0.01       | 0.01                          | 0.01       | 0.1                 | 0.1        | 0.1                           | 0.1        | 1          |
| Repeatability (Std. Dev.) (g)      | 0.002   | 0.002      | 0.01                                   | 0.01       | 0.01       | 0.02                          | 0.02       | 0.1                 | 0.1        | 0.1                           | 0.1        | 1          |
| Linearity (g)                      | 0.003   | 0.003      | 0.01                                   | 0.01       | 0.02       | 0.03                          | 0.03       | 0.1                 | 0.1        | 0.1                           | 0.2        | 1          |
| Span Calibration Mass <sup>1</sup> | 100 g   | 200 g      | 200 g                                  | 200 g      | 300 g      | 1 kg                          | 2 kg       | 200 g               | 300 g      | 2 kg                          | 5 kg       | 8 kg       |
| Linearity Calibration Mass         | 50, 100 g   | 100, 200 g | 100, 200 g                             | 200, 400 g | 300, 600 g | 500 g, 1 kg                   | 1 kg, 2 kg | 200, 400 g          | 300, 600 g | 1 kg, 2 kg                    | 3 kg, 6 kg | 4 kg, 8 kg |
| Stabilization Time (s)             | 1.5   | 1.5        | 1                                      | 1          | 1          | 1.5                           | 1.5        | 1                   | 1          | 1                             | 1          | 1          |
| Construction                       | ABS housing & stainless steel pan   |            |  |            |            |                               |            |                     |            |                               |            |            |
| Draftshield                        | Yes   |            |  | No         |            |                               |            |                     |            |                               |            |            |
| Calibration                        | User-selectable external span or linearity calibration/Digital with external weight   |            |  |            |            |                               |            |                     |            |                               |            |            |
| Tare Range                         | Full capacity by subtraction  |            |  |            |            |                               |            |                     |            |                               |            |            |
| Weighing Units <sup>2</sup>        | mg, g, kg, ct, N, oz, ozt, dwt, lb, lb:oz, grn, hkt, sgt, twt, tical, tola, customer unit 1   |            |  |            |            |                               |            |                     |            |                               |            |            |
| Application Modes                  | Weighing, Parts Counting, Percent Weighing, Check Weighing, Animal/Dynamic Weighing, Totalization, Density Determination, Display Hold, Mole Weighing |            |  |            |            |                               |            |                     |            |                               |            |            |
| Power Requirement                  | AC adapter (included) or 4 AA batteries (not included)  |            |  |            |            |                               |            |                     |            |                               |            |            |
| Typical Battery Life               | 6 hours   |            |  |            |            |                               |            |                     |            |                               |            |            |
| Communication                      | RS232, USB Host, USB Device, Ethernet or Bluetooth® (available as an accessory)   |            |  |            |            |                               |            |                     |            |                               |            |            |
| Display Type                       | 4.3" (109 mm) full-color VGA graphic touchscreen display with user-controlled brightness  |            |  |            |            |                               |            |                     |            |                               |            |            |
| Display Size                       | 4.3 in/109 mm (diagonal)  |            |  |            |            |                               |            |                     |            |                               |            |            |
| Overload Capacity                  | 10 times the rated capacity   |            |  |            |            |                               |            |                     |            |                               |            |            |
| Operating Temperature Range        | 50°F/10°C to 104°F/40°C at 10% to 80% relative humidity, non-condensing   |            |  |            |            |                               |            |                     |            |                               |            |            |
| Storage Conditions                 | -20°C (-4°F) to 55°C (131°F) at 10% to 90% relative humidity, non-condensing  |            |  |            |            |                               |            |                     |            |                               |            |            |
| Pan Size (W × D)                   | Ø3.7 in/<br>93 mm   |            | Ø 4.7 in/<br>120 mm                    |            |            | 6.7 × 5.5 in/<br>170 × 140 mm |            | Ø 4.7 in/<br>120 mm |            | 6.7 × 5.5 in/<br>170 × 140 mm |            |            |
| Balance Dimensions (W × D × H)     | 8 × 8.7 × 4.1 in/<br>202 × 222 × 103 mm   |            | 8 × 8.8 × 2.1 in/<br>202 × 224 × 54 mm |            |            |                               |            |                     |            |                               |            |            |
| Shipping Dimensions (W × D × H)    | 11.8 × 9.8 × 5.1 in/300 × 250 × 129 mm  |            |  |            |            |                               |            |                     |            |                               |            |            |
| Net Weight                         | 2.2 lb/1 kg   |            |  |            |            |                               |            |                     |            |                               |            |            |
| Shipping Weight                    | 3.5 lb/1.6 kg   |            |  |            |            |                               |            |                     |            |                               |            |            |

<sup>1</sup> Span calibration weight is included with models up to 620g capacity

<sup>2</sup> Availability is dependent on model and region

## Other Standard Features and Equipment

Transportation lock, stainless steel pan, menu & calibration lockout switch, slip-resistant and adjustable feet, leveling bubble, mechanical and software overload/underload protection, stability indicator, auto tare, low battery indicator, auto shut-off, user selectable printing options, user selectable communication settings

## Compliance

- **Product Safety:** IEC/EN 61010-1; CAN/CSA C22.2 No. 61010-1; UL Std. No. 61010-1
- **Electromagnetic Compatibility:** IEC/EN 61326-1 Class B; FCC Part 15 Class B; Industry Canada ICES-003 Class B

## Accessories

|   |          |
|---|----------|
| RS232 Interface Kit .....                       | 30268982 |
| USB Host Interface Kit (for Flash Drive) .....  | 30268983 |
| USB Device Interface Kit (for PC) .....         | 30268984 |
| Bluetooth Interface Kit .....                   | 30268985 |
| Ethernet Interface Kit .....                    | 30268986 |
| Stacking & Storage Cover* (6 pcs) .....         | 30268987 |
| Stacking & Storage Cover* (1 pc) .....          | 30268988 |
| Printer, Impact, SF40A, AM .....                | 30064203 |
| Auxiliary Display, AD7-MD .....                 | 30472063 |
| Security Device .....                           | 80850043 |
| Top Loading Kit for Density Determination ..... | 30269020 |
| Carrying Case .....                             | 30269021 |
| In-use Cover .....                              | 30269022 |
| Adapter, 5V 1A US, Fixed Plug .....             | 30330714 |

\*Not fit for models with draftshield

80774941\_G 20181107 © Copyright OHAUS Corporation

**OHAUS CORPORATION**  
7 Campus Drive  
Suite 310  
Parsippany, NJ 07054 USA

Tel: 800.672.7722  
973.377.9000  
Fax: 973.944.7177

[www.ohaus.com](http://www.ohaus.com)

*The management system governing the manufacture of this product is ISO 9001:2015 certified.*

