



Model 338

Load Cell

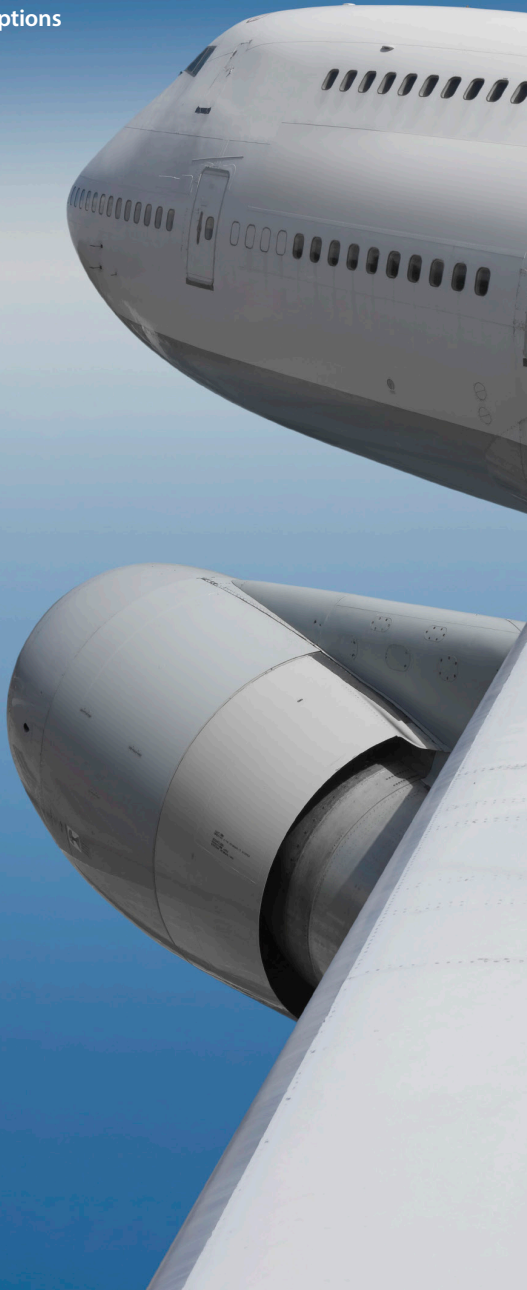
Load cell model 338 is designed both for occasional force checking and for permanent installation. The robust construction is suitable for rough operating conditions on machines and installations. The standard instrument is fitted with a 63 mm diameter gauge with maximum reading pointer.

Technical Information

Model	Nominal value	High-pressure hose (m)	Capillary tube (m)	Weight (kg)	Dimensions (mm)											
					øD1	øD2	øD3	øD4	H1	H2	H3	H4	H5	H6	L1	M1
338- 400 N	400 N	-	-	1,6	70	58	55	63	59,5	9,5	14	14	12,5	32	80	M6
338- 630 N	630 N															
338- 1 kN	1 kN															
338- 1,6 kN	1,6 kN	0,63	1													
338- 2,5 kN	2,5 kN															
338- 4 kN	4 kN															
338- 6,3 kN	6,3 kN	1,5	4													
338- 10 kN	10 kN															
338- 16 kN	16 kN															
338- 25 kN	25 kN	5	10													
338- 40 kN	40 kN															
338- 63 kN	63 kN															

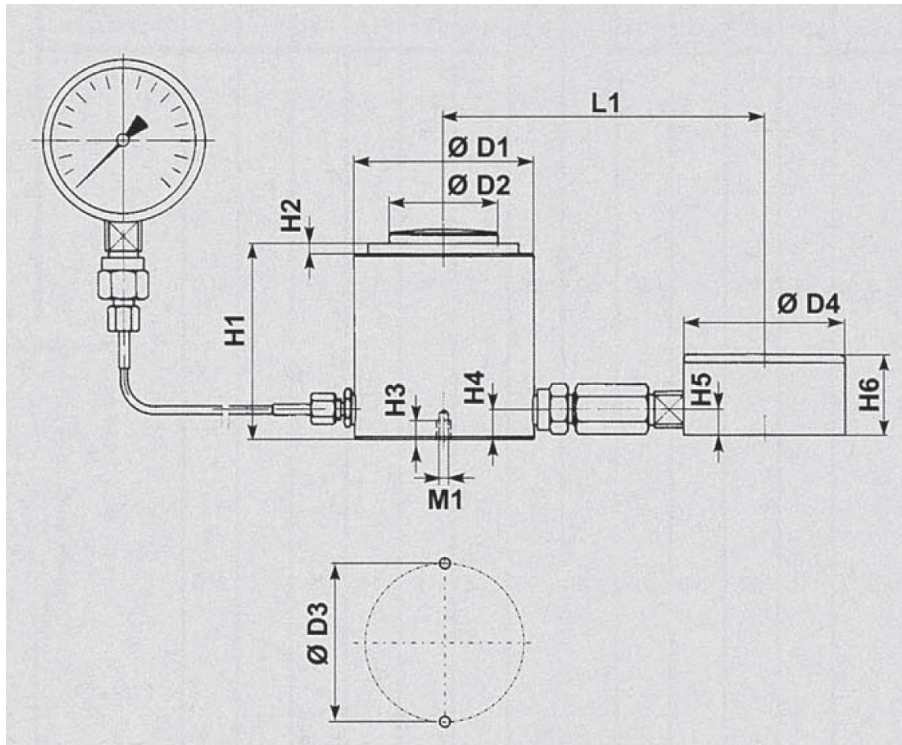
Number of borings:
 2 parts each displaced by 180°
 Version "B" (e.g. High-pressure hose, capillary tube, borings etc.) on request.

"A"-version; Load cell with attached display unit, without any accessories or options
 "B"-version; Load cell with accessories or options



14 North Peoria St, Suite B-101 | Chicago, IL 60607-2755
 Phone 312.666.0595 | info@jlwinstruments.com

Technical Information



14 North Peoria St, Suite B-101 | Chicago, IL 60607-2755
Phone 312.666.0595 | info@jlwinstruments.com



www.ametektest.com

