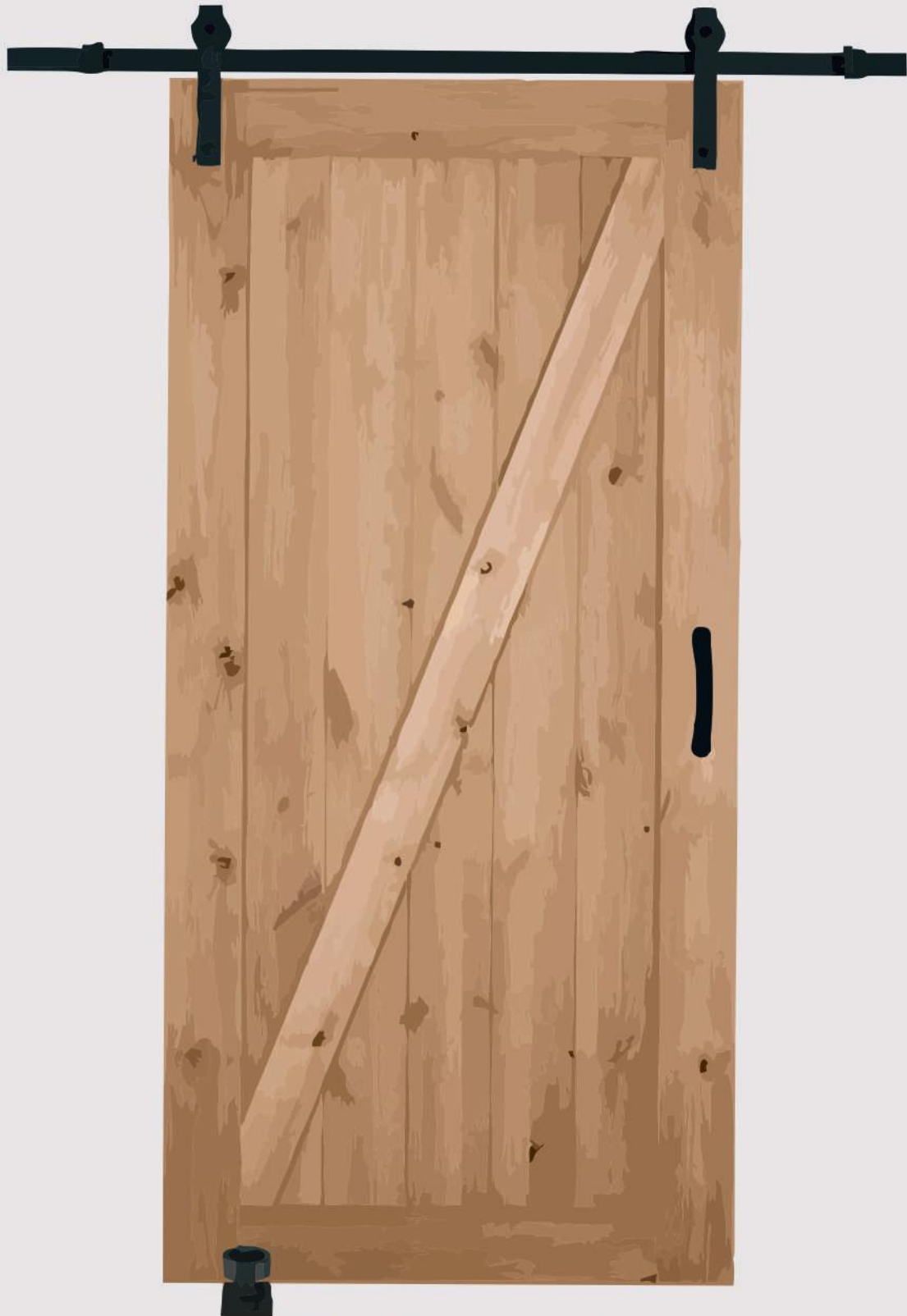
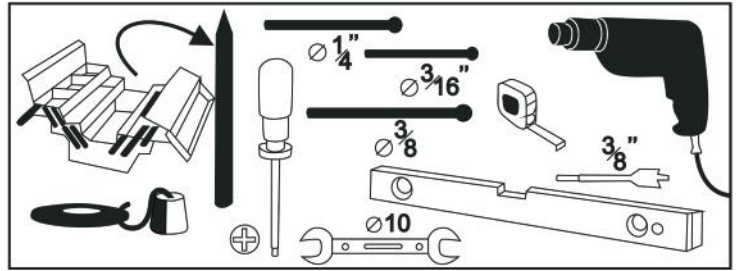


CALDWELL COMPANY'S INSTALLATION BLUEPRINT

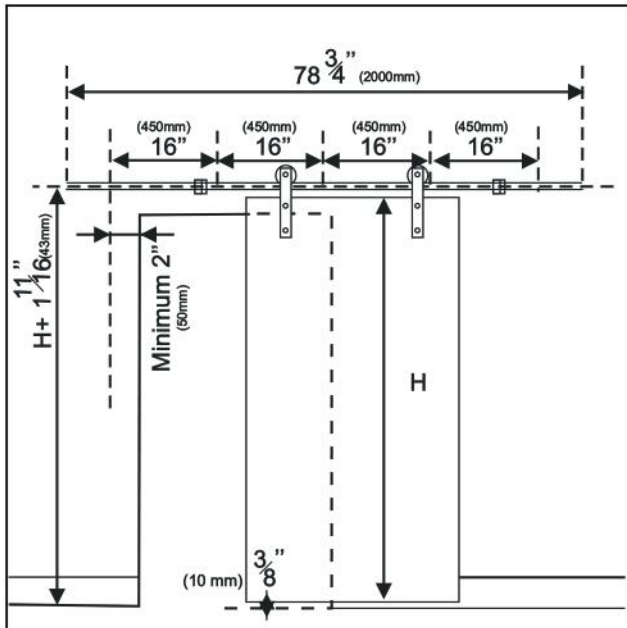
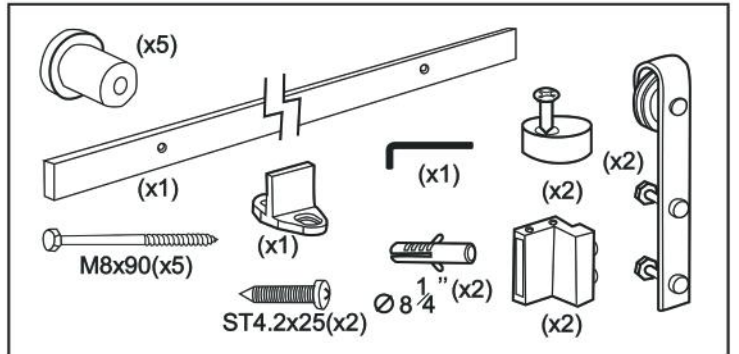
A Brand You Can Trust



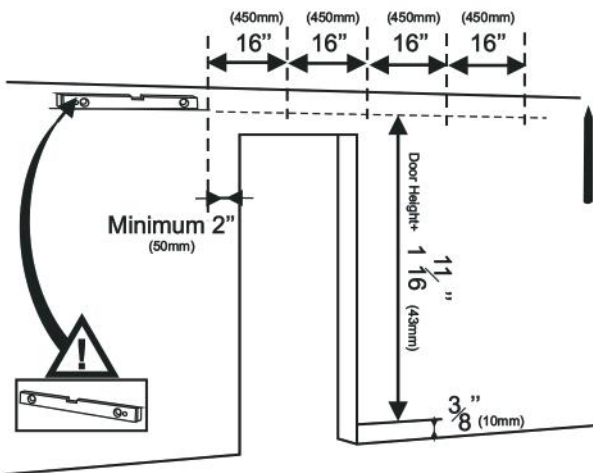
TOOLS NEEDED FOR INSTALLATION



WHAT'S IN THE BOX



1



1. Mark a level line 2-1/16" higher than the height of your door above your door opening, this is the height at which your screws will mount through the rail.

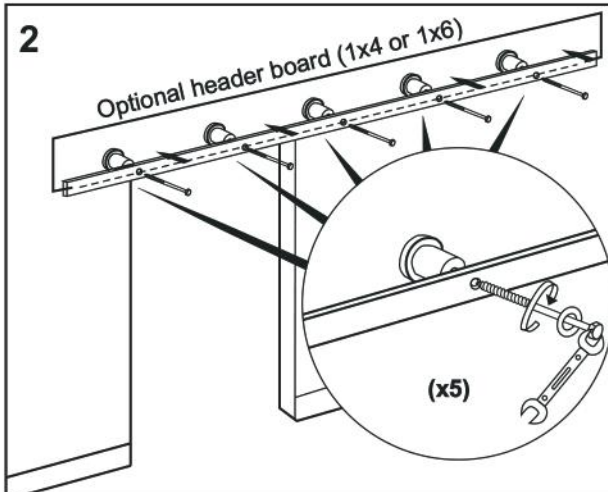
2. Start by pre-drilling a pilot hole with a 3/16" drill bit into each stud (optional), with the first hole starting approximately 2" to 4" away from the edge of door opening. This measurement is not exact, just make sure the rail overhangs enough so that when your door is closed it completely covers your door opening.

Note: If your studs do not line up with existing studs, you will either need to install backing behind your drywall between studs or install a header board over top of your drywall/finished wall and mount track to that. A 1x4 or 1x6 usually does the trick. This is the preferred way to install as it result in a much more solid installation.

3. From your first hole, mark 4 more holes along the level line every 16" on center. This will be in the direction you would like your door to open.

a. Ensure your rail extends beyond the door opening at least the width of your door. This will ensure your door opens completely when finished.

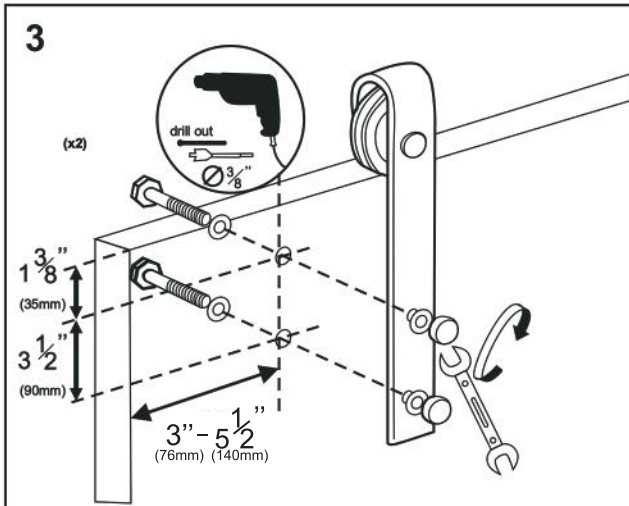
2



1. Use the (5) coarse-thread lag bolts and (5) wall spacers and firmly install into the header to pre-marked studs on your wall.

2. Make sure to use the pre-drilled holes on the bar that are laid out at 16".

a. Note: the two smaller hole pre-drilled on each end of the bar are for connecting more than one rail for double door openings. Caldwell Co. hardware kits are compatible with one another and can be extended by purchasing multiple kits. Use the included (4) black hole plugs in the box if you wish to hide these holes.

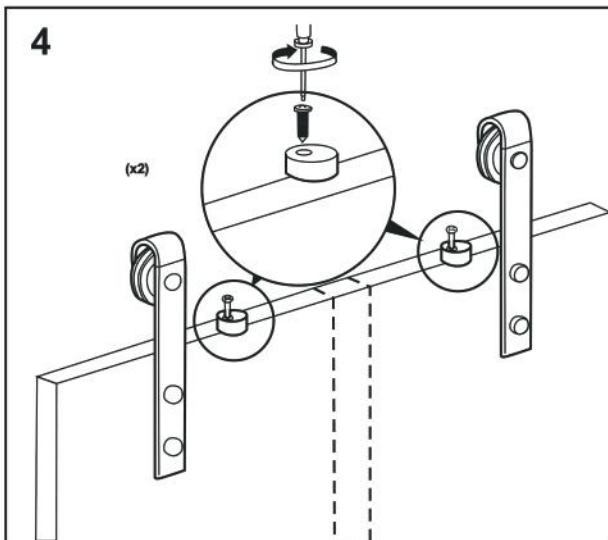
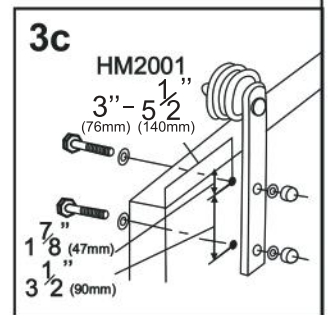
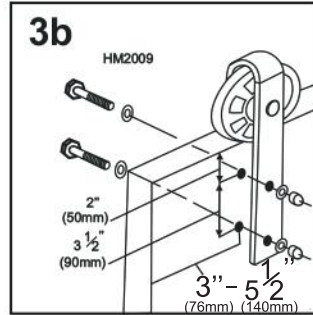
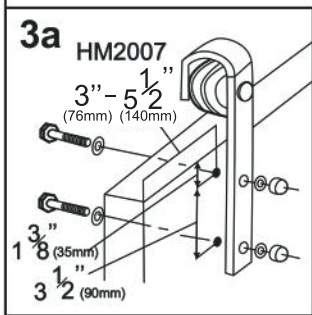


1. Layout the hanger on your door and pre-drill 3/8" holes at the given dimensions. Each hanger type takes (2) bolts, (2) washers, and (2) nuts.

a. After you mark your holes with the given dimensions, double check the holes by laying the hanger on your door. Ensure the marks line up with the pre-drilled holes on your hanger prior to drilling.

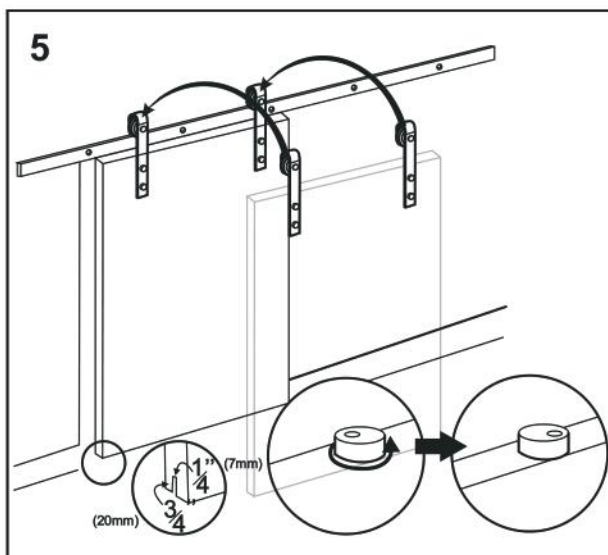
b. Note: Caldwell Co. sells multiple hanger types, so be sure to check if your hanger type matches type A., B., or C.

2. Install hangers by firmly tightening all bolts and nuts in the direction shown. (nut facing away from wall)



1. Install the (2) anti-skid caps on top of the door, somewhere close to each hanger. The exact location of these are not important, as long as there is one cap on each side of the hanger.

2. When installing the caps, install near the edge of the door, without the greater part of the cap body overhanging the door; this will allow enough space to hang the door. (Refer to Illustration 5 for further instructions)

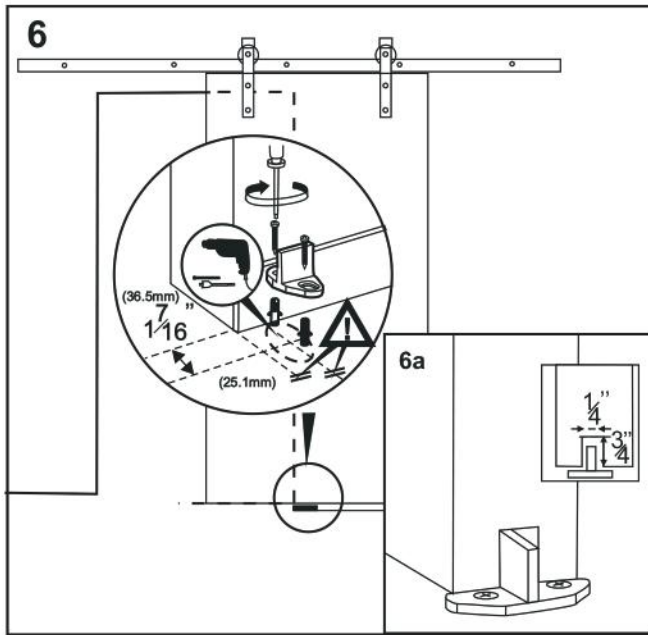


1. Kerf the bottom of your door 1/4" wide x 3/4". This is needed to allow your floor guide a channel to move across, this keeping your door from swaying in and away from the wall.

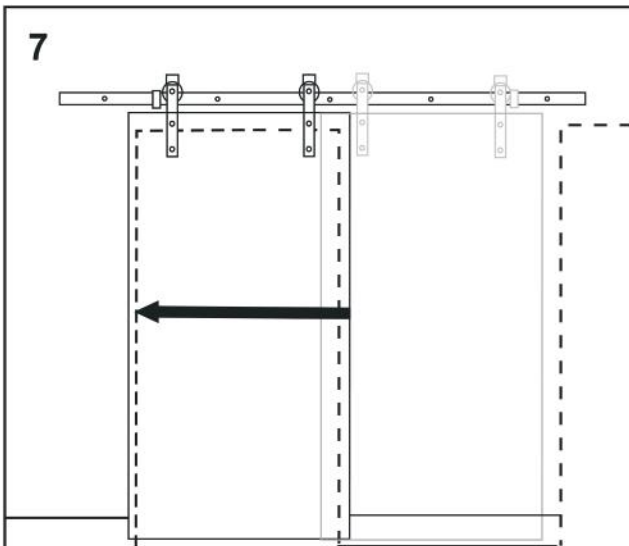
2. After you have made the kerf in your door and installed the (2) top caps rotated away from the wall.

3. Wait to hang the door until after you have installed the floor guide. (Refer to Illustration 6).

Note: If you would rather not kerf underneath your door, we have wall-mounted floor guides as well, just visit our store.

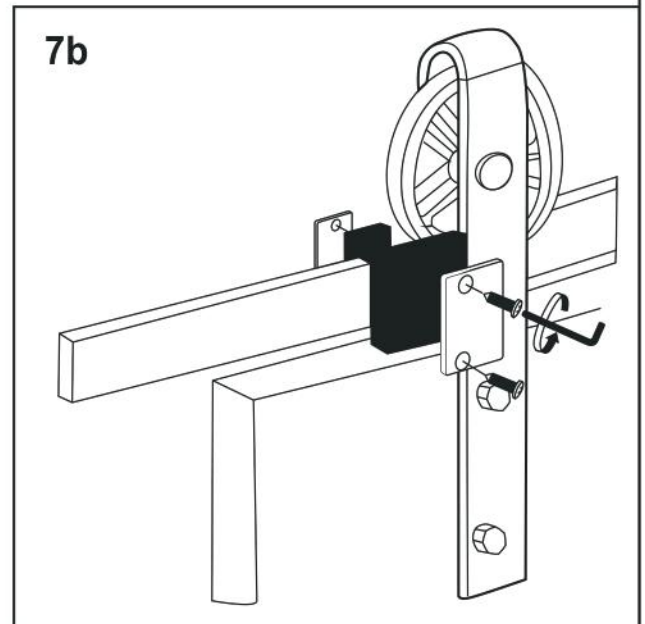
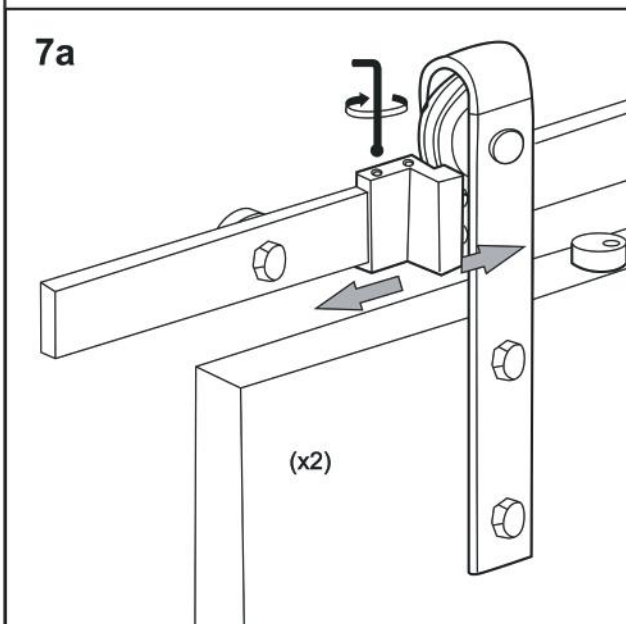


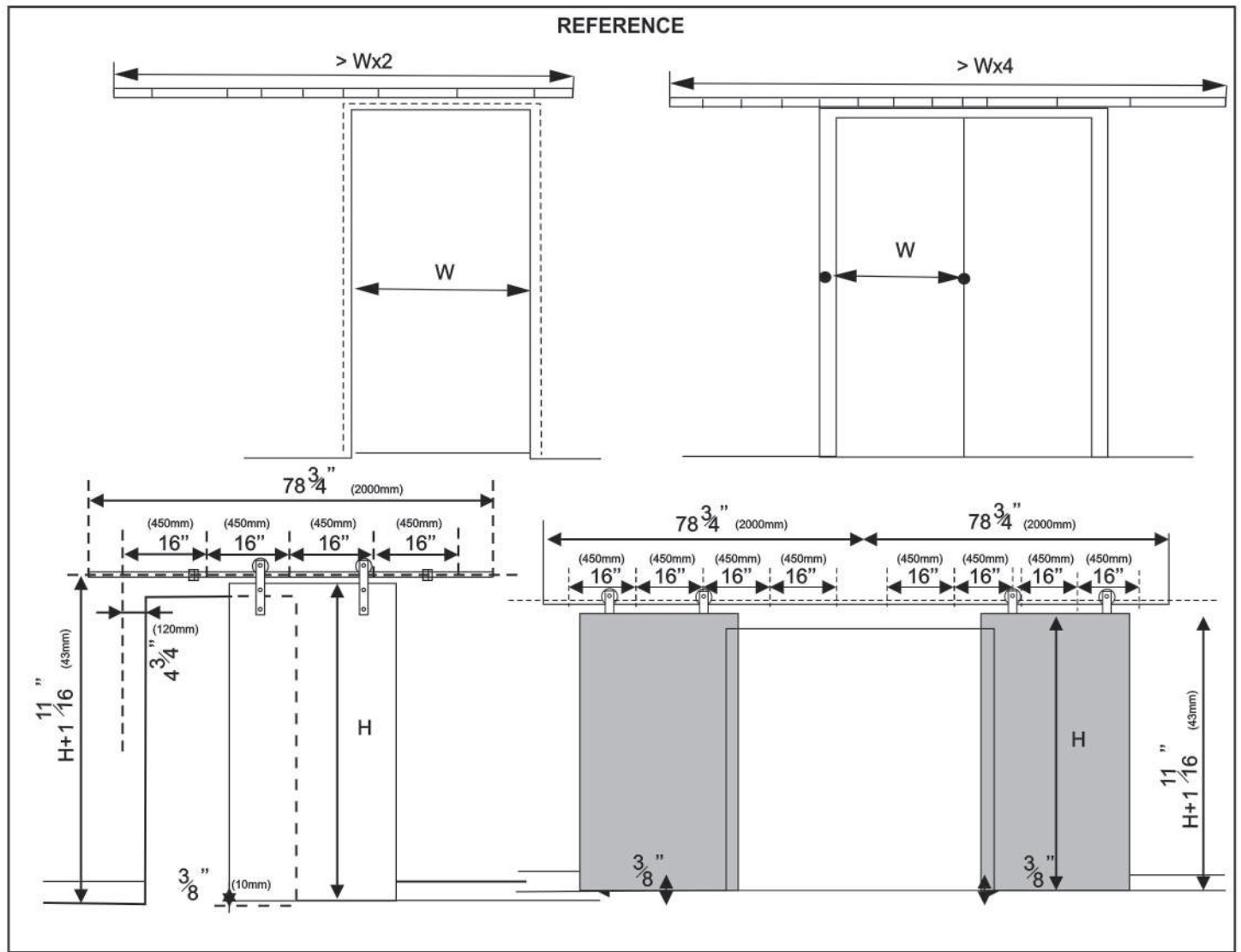
1. Mark and install the floor guide, square with the wall, to the given dimensions shown on illustration 6.
 - a. Note: center of floor guide should be approximately 1-7/16" away from either your drywall or header board, whichever route you took. If you attached a header board onto your drywall, add the width of your header board to the 1-7/16" measurement.
2. After your floor guide is attached, carefully hang your door. Ensure that both hangers are seated properly on the rail that the floor guide is seated within the kurf of the door.
3. Rotate the two caps inward to lock the door in place. This will prevent the door from jumping off track.
4. Ensure door is level and plumb and everything is operating properly, then move to step 7.



1. Install the (2) door stoppers onto the rail, one on each end. Your door stopper will either be type A. or B. Refer to the correct illustration depending on your hanger type and install accordingly.
 - a. Note: Use the given allen wrench for this installation. Hand tighten snugly, being cautious as to not strip the screws but also tight enough that the stopper doesn't skid.
2. The door stopper should be in such a location that allows your door to fully open in either direction (or wherever you would like it to stop).

CONGRATULATIONS YOU'RE FINISHED!
 If you have any questions please just send us a message at hello@caldwell-company.com





| | | |
|-----------------|-------------------|-----|
| 1500 mm(4.9FT) | 3-450mm | (N) |
| 1700 mm(5.5FT) | 3-500mm | |
| 1830 mm(6FT) | 3-550mm (4-400mm) | |
| 2000 mm(6.6FT) | 4-450mm (4-450mm) | |
| 2286 mm(7.5FT) | 4-450mm (4-450mm) | |
| 2438 mm(8FT) | 6-450mm (4-650mm) | |
| 2500 mm(8.2FT) | 6-450mm (4-650mm) | |
| 3000 mm(9.8FT) | 6-450mm | |
| 3660 mm(12FT) | 6-550mm | |
| 4000 mm(13.2FT) | 6-450mm | |
| 5000 mm(16.4FT) | 10-475mm | |