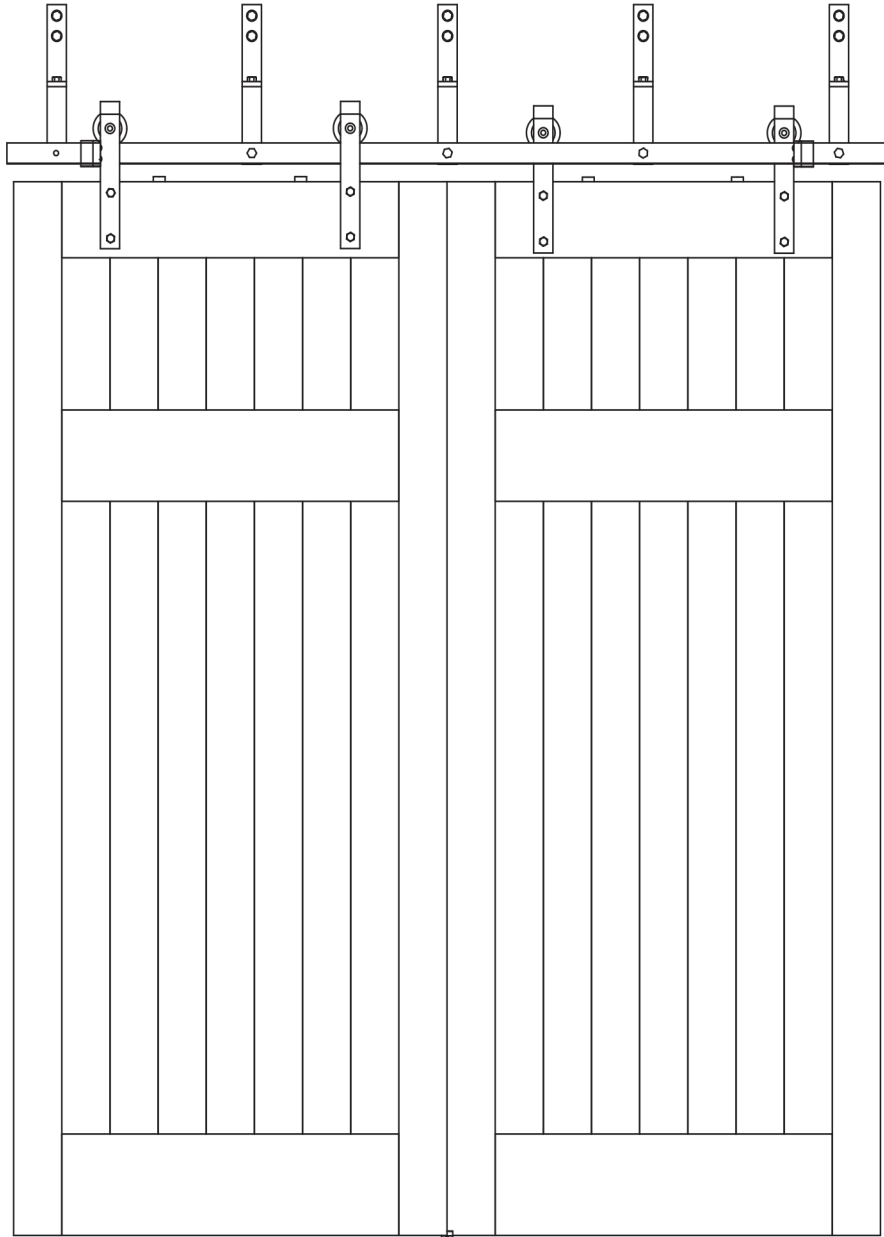
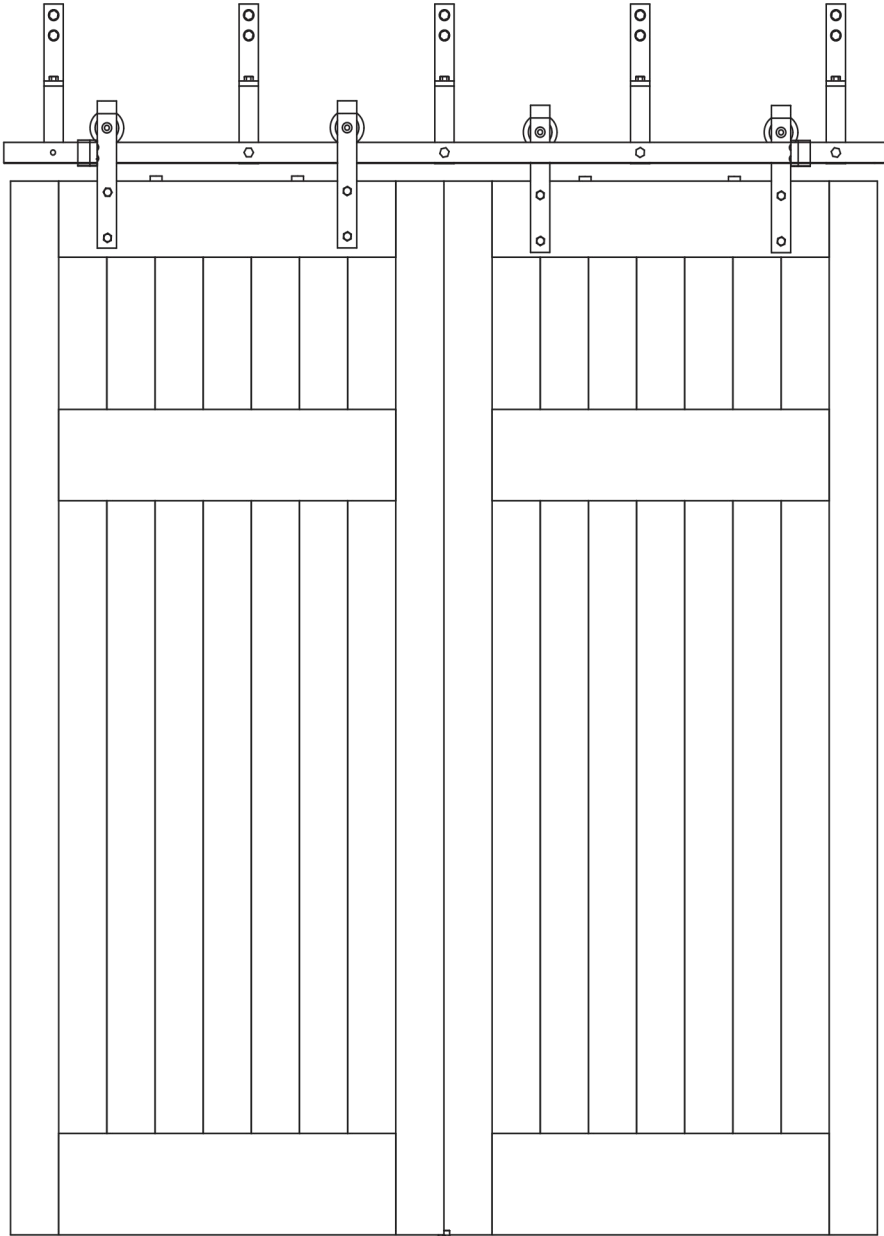
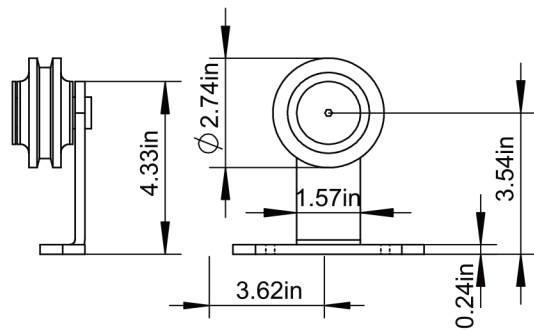
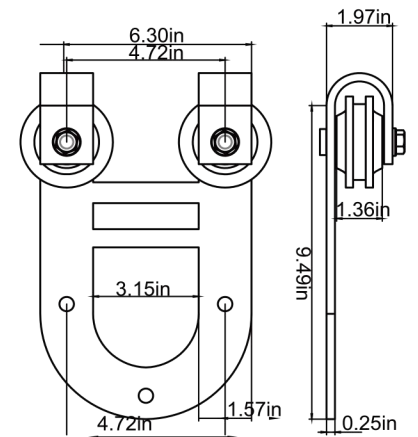
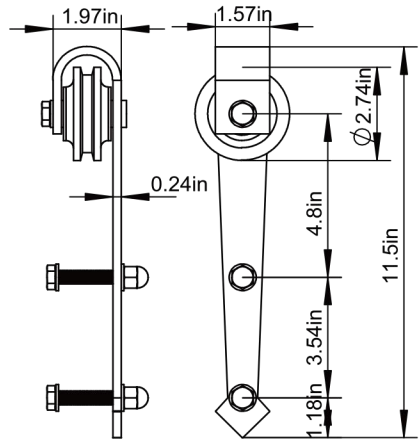
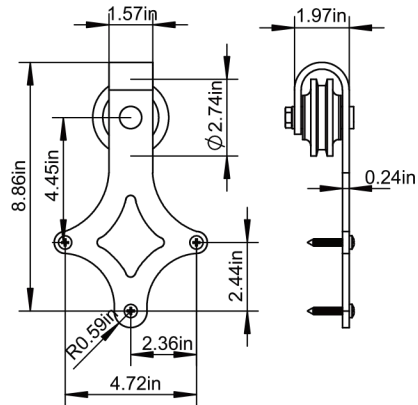
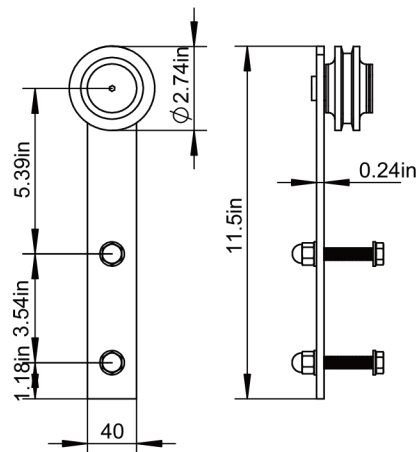
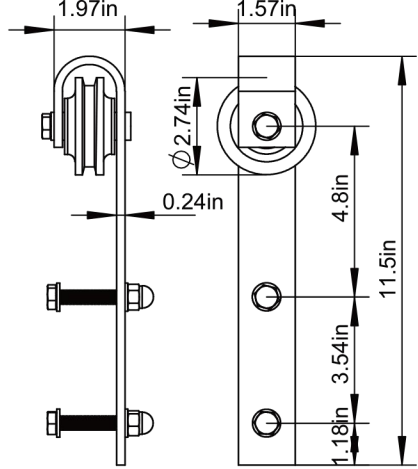


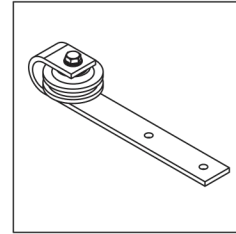
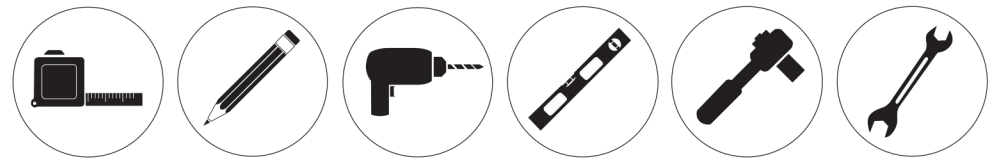
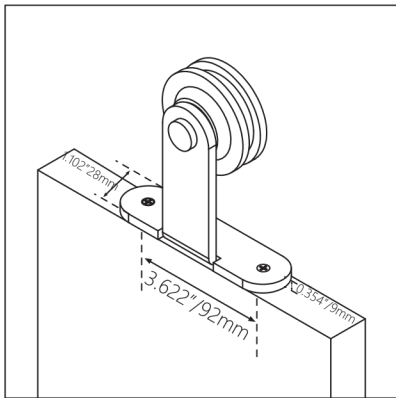
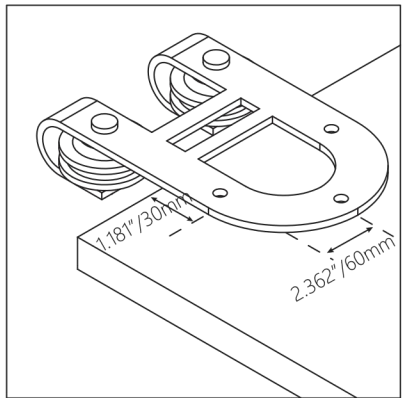
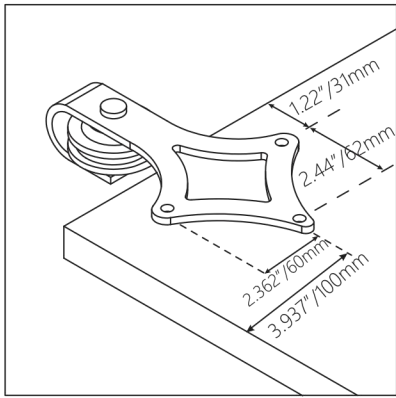
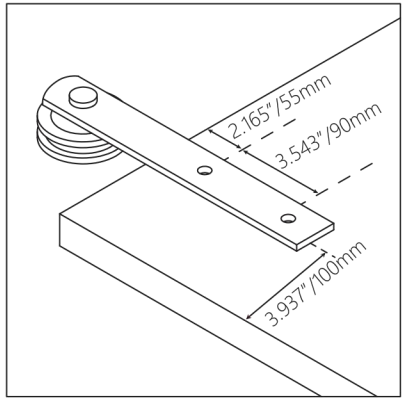
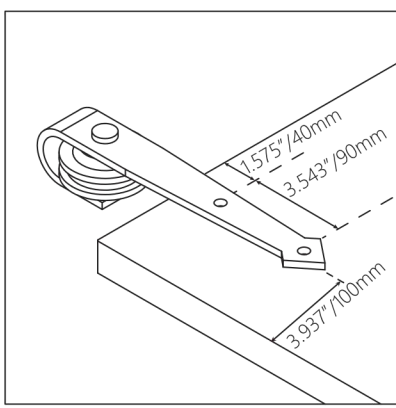
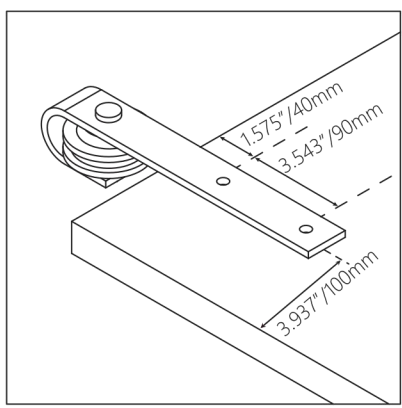
Bypass Barn Door Hardware Installation Manual



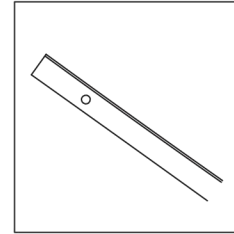


Bypass Hardware Kit Includes

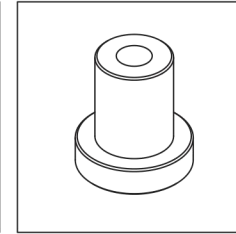
Part Name	Picture	5FT	6FT	6.6FT	7.5FT	8FT	10FT	12FT	13FT	15FT	16FT
Flat Track		2	2	2	2	2	4	4	4	4	4
Steel Hanger		4	4	4	4	4	4	4	4	4	4
Door Stopper		4	4	4	4	4	4	4	4	4	4
Adjustable spacer		8	10	10	12	12	16	20	20	24	24
Expansion Bolt		12	15	15	18	18	24	30	30	36	36
Bracket		4	5	5	6	6	8	10	10	12	12
Bracket & Track Screw		4	5	5	6	6	8	10	10	12	12
Bracket Connector		8	10	10	12	12	16	20	20	24	24
Floor Guide		2	2	2	2	2	2	2	2	2	2
Anti-jump Pad		4	4	4	4	4	4	4	4	4	4
Hex Wrench		1	1	1	1	1	1	1	1	1	1
Junction Plate		0	0	0	0	0	1	1	1	1	1



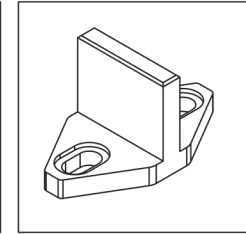
Steel Hanger



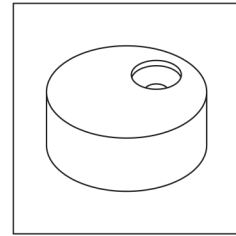
Flat Track



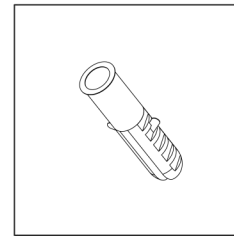
Adjustable Spacer



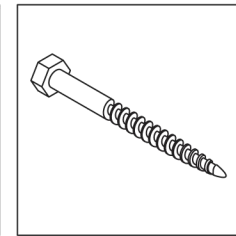
Floor Guide



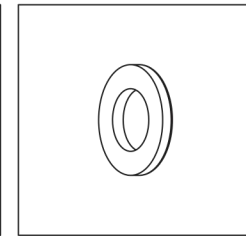
Anti-jump Pad



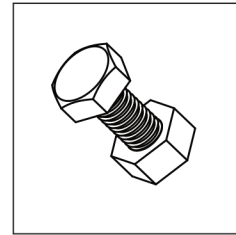
Sleeve Anchor



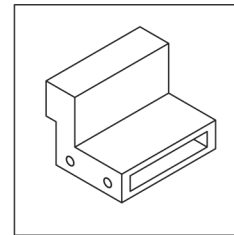
Expansion Bolt



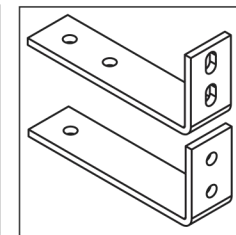
Washer



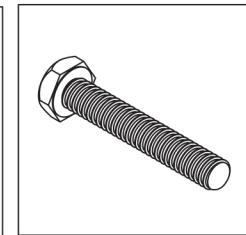
Bracket Connector



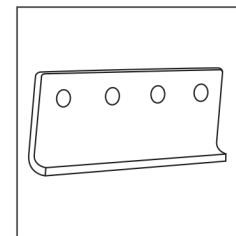
Door Stopper



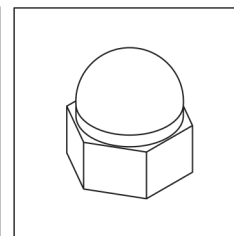
Bracket



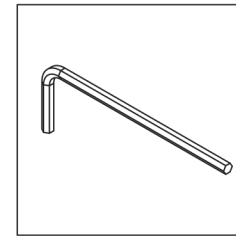
Bracket & Track Screw



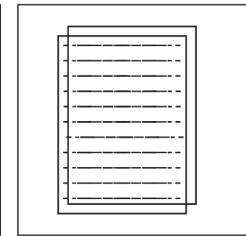
Junction Plate



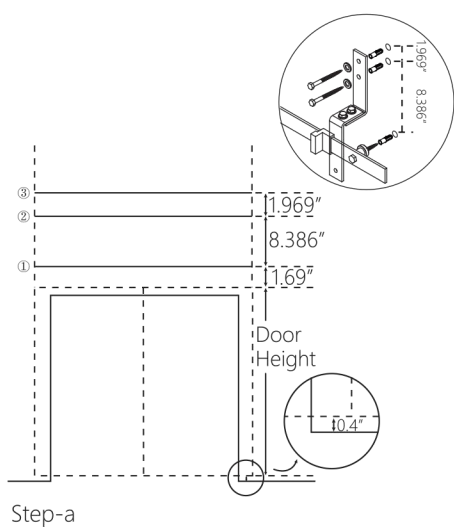
Acorn Nut



Hex Wrench



Installation Manual



Step-a

1. (1.69" + Door Height + 0.4") is the distance between the finished floor and the horizontal line ① that you will pencil for your first track.

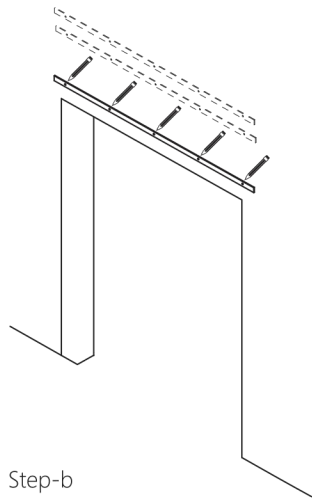
2. Check if your floor is level. If not, please measure the distance from the highest point of your floor.

3. Make sure that the horizontal line is the same length as your track. So you can easlily find your track hole center position to attach the first track to your wall in the following steps.

4. Pencil a horizontal line ② parallel from line ① at the distance 8.386". (see the picture)

5. Pencil anther horizontal line ③ parallel from line ② at the distance 1.969". (see the picture)

6. Make sure that the three lines are parallel and the same length. So that the corresponding three hole centers on the three lines would be in a vertical line.



Step-b

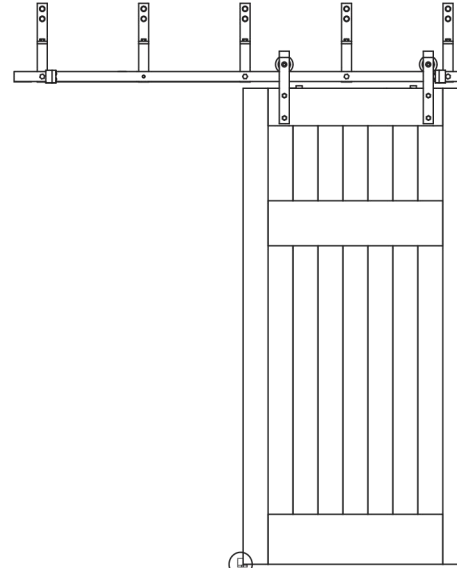
1. Hold up your track so that the marked line ① from Step-a will be visible through the track holes.

2. Mark an intersecting line in the center point of each track hole.

3. Repeat steps on line ② and line ③.

4. Set the track down.

5. Drill out your marked holes using a drill with "8mm" drill bit.



Step-p

1. Guide your door to the resting position.

2. Use your level to plumb your door.

3. When the door is in the opening position, place the floor guide half way into the door slot.

4. Double check that your door is plumb.

5. Hold the door guide firmly in position and mark centers in the middle of both floor guide holes .

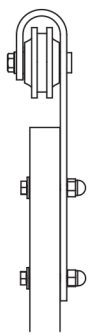
6. Use a "6mm" drill bit to drill 2 holes on the floor at the centers you have marked.

7. Put the plastic expansion nails into both of the holes.

8. Repeat the Step-l-3 and Step-l-4 and then hold the floor guide firmly in place, install the screws to secure your floor guide to the floor using a drill with a phillips bit.

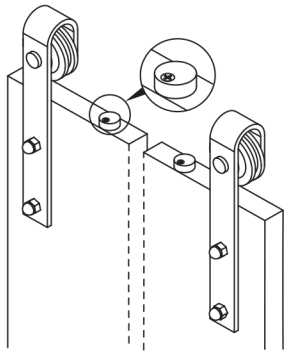
9. Repeat the same steps on your second floor guide.

10. Now you have completely installed your sliding barn door.



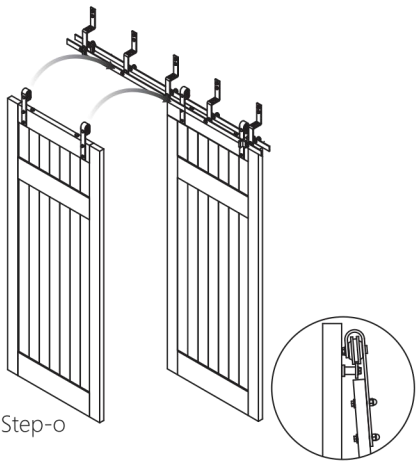
Step-m

1. Using a wrench for the hex bolt and another wrench for the acorn nut, gently tighten, be careful not to damage your hanger or acorn nut.
2. Repeat the step on the opposite edge of the door.
3. Now you have installed your hangers to your door.



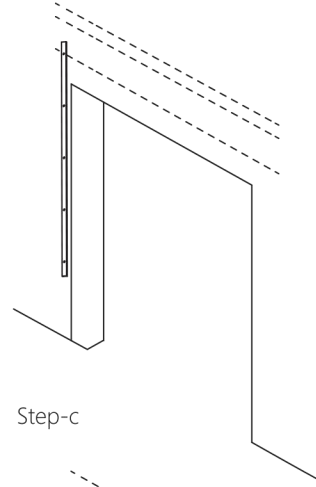
Step-n

1. Place your anti-jump pad on the top of the door near the hanger. Loosely attach the wood screw with the anti-jump pad to the door.
2. Swing it to the other side so that you can hang the door on the track. Then you should swing it back to the position and tighten it on the door. It can help prevent the door falling down from the track.



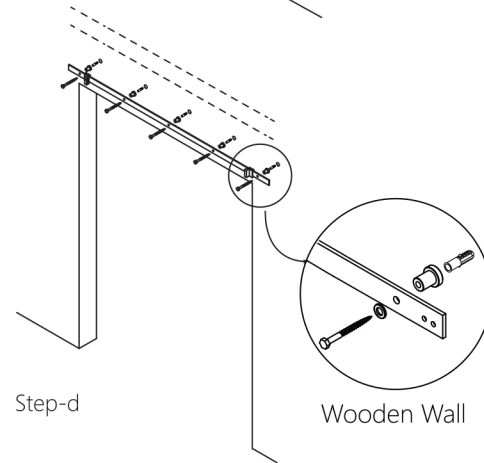
Step-o

1. Lift both of your doors up to your tracks at a slight angle and rest both wheel grooves onto the top of the track carefully.



Step-c

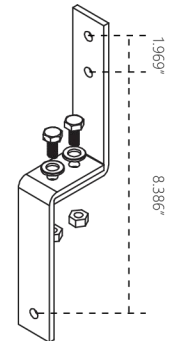
1. Put a door stopper on the end of the track and use the hex wrench to make it tight later. (See below)
2. Loosely attach the end of the track on the wall.



Step-d

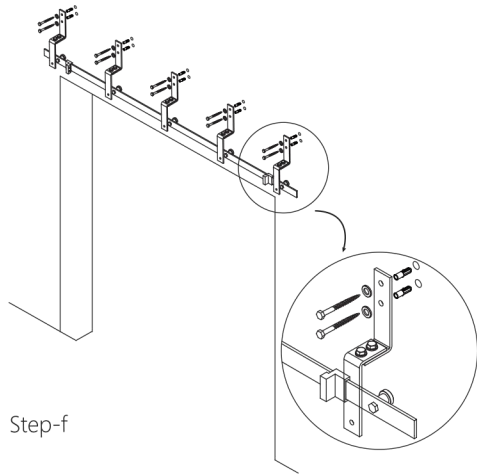
Wooden Wall

1. Swing the track up and make it horizontal, then repeat the Step-c on the other end of the track.
2. Repeat on all remaining middle track holes.
3. Fully tighten all bolts with your wrench after all bolts are in. Be careful not to make it too tight to strip the wall studs off.
4. Now you have installed your first track on the wall successfully.



Step-e

1. Put a pair of bracket together as the picture shows.
2. Thread the bolt with the washer through one of holes of the joint.
3. Hold the bolt in place using a wrench and tighten your bolt cap.
4. Repeat the above steps on the other hole.
5. Assemble the remaining brackets.

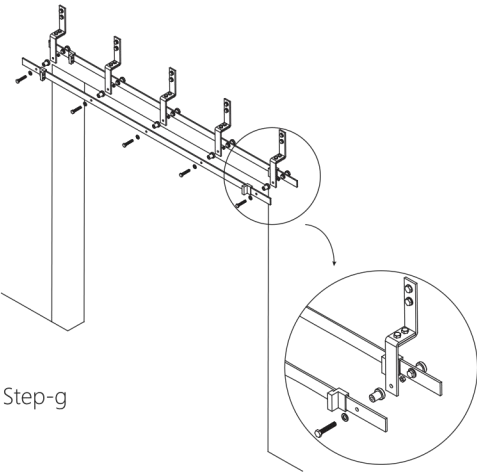


Step-f

1. Loosely attach the bracket on the wall. Make it straight.

2. Repeat the above step on all remaining brackets.

3. Fully tighten all bolts with your wrench after all bolts are in. Be careful not to make it too tight to strip the wall studs off. Make sure that all brackets are straight.



Step-g

1. Put a door stopper on the end of the second track and use the hex wrench to make it tight later.

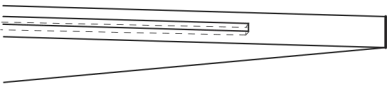
2. Loosely attach the end of the track on the bracket.

3. Swing the track up and make it horizontal, then repeat the Step on the other end of the track.

4. Repeat the above steps on all remaining middle track holes.

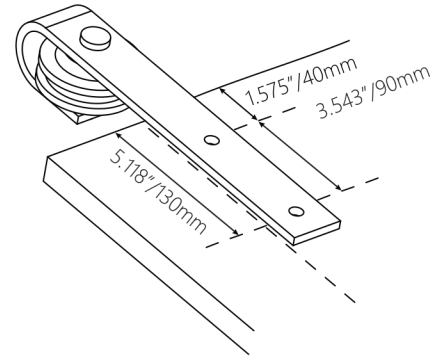
3. Fully tighten all bolts with your wrench after all bolts are in.

4. Now you have installed your second track on the brackets successfully.



Step-h

1. Open a slot (0.28" wide, 0.79" deep) at the bottom of each of your door with a router. It will be used for installing the floor guides.



Step-j

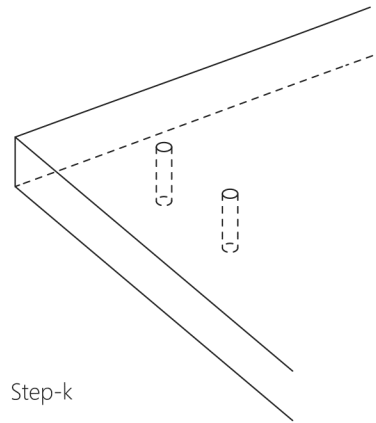
1. Lay your door facing up and put your hanger on it. Pencil a line parallel from the door edge. The distance depends on the position of your door stopper.

2. Line up your hanger along the line you just made.

3. Hold your hanger in place, the distance from the door edge to the first hole is 1.575" and to the second hole is 5.118"

4. Mark the center of both hanger holes.

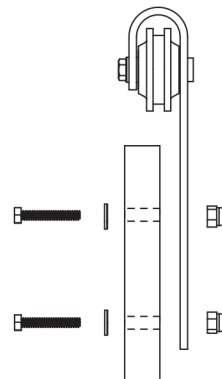
5. Repeat on the opposite door edge.



Step-k

1. Drill a pilot hole all the way through the door using a "10mm" bit at the center that you had marked from Step-f. Be careful and make it smooth.

2. Repeat the above step on the other centers that you have marked.



Step-l

1. Thread the hex bolt with the washer through the back of the door.

2. Hold hex bolt in place using a wrench and tighten your acorn nut by hand.