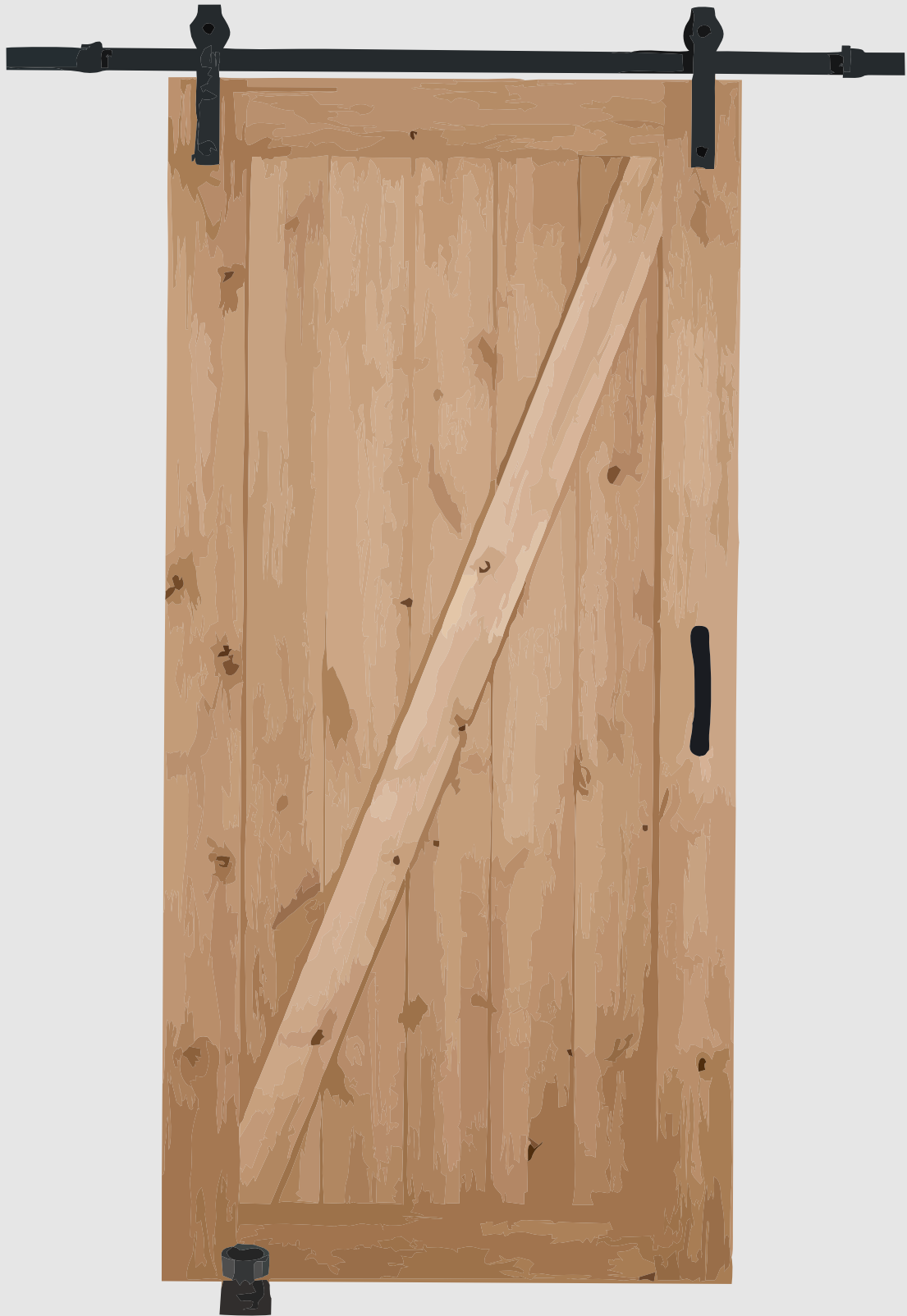
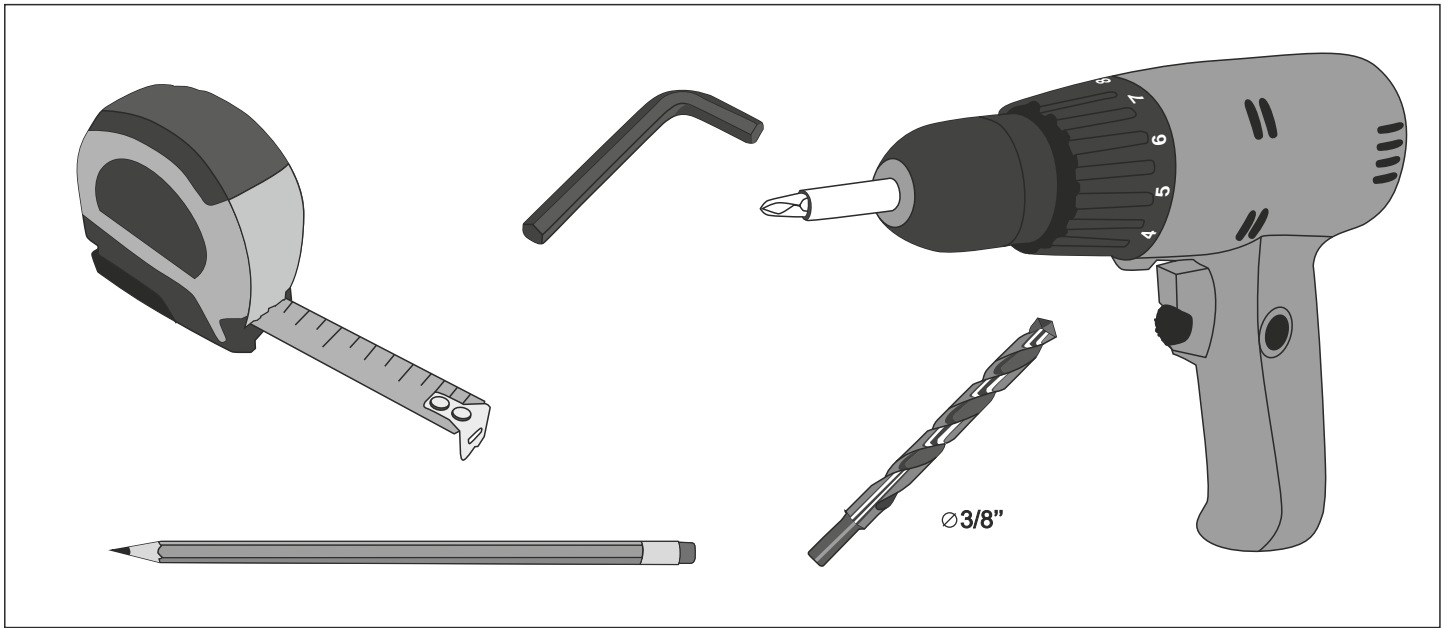


# CALDWELL COMPANY'S INSTALLATION BLUEPRINT

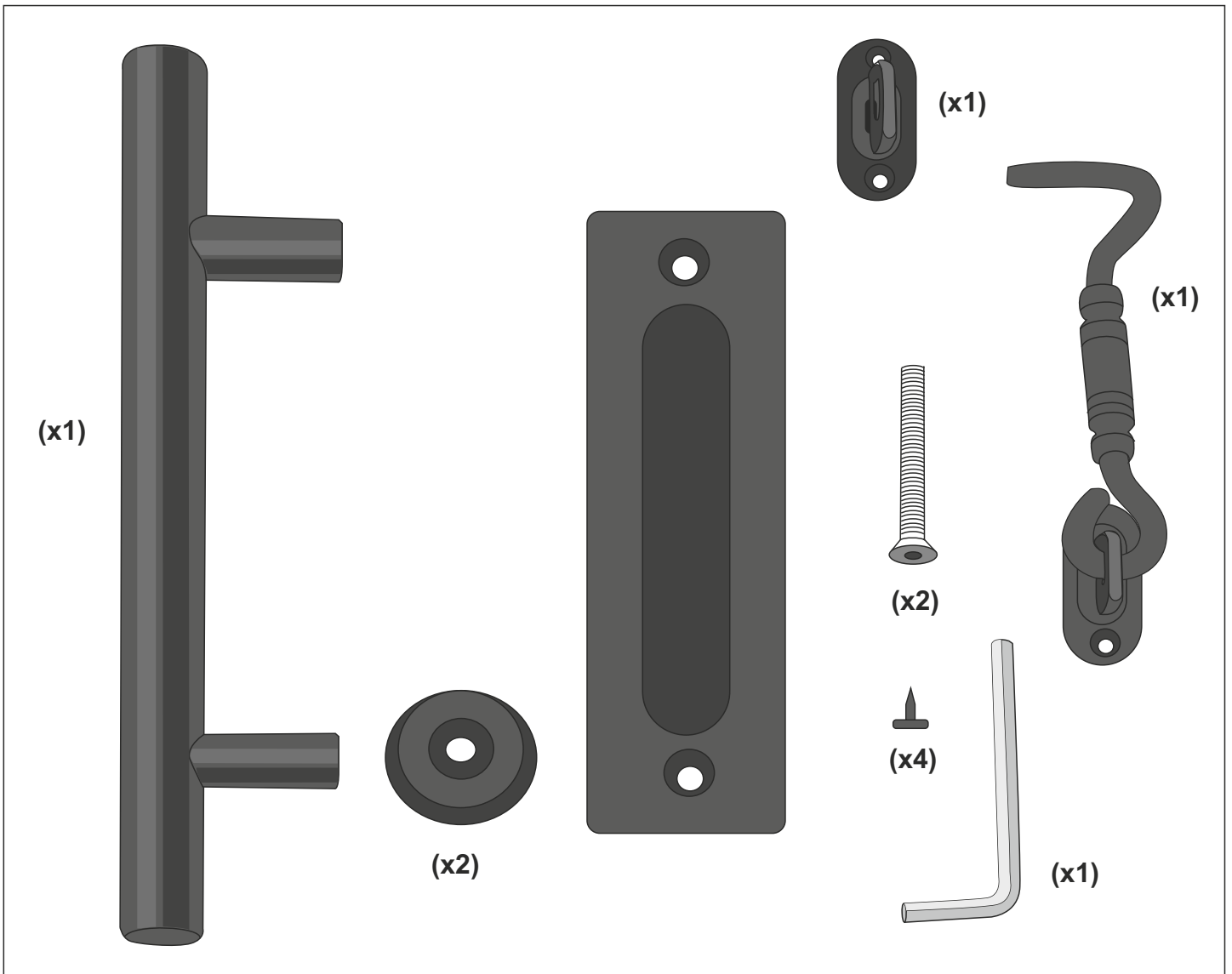
A Brand You Can Trust



**TOOLS NEEDED FOR INSTALLATION**



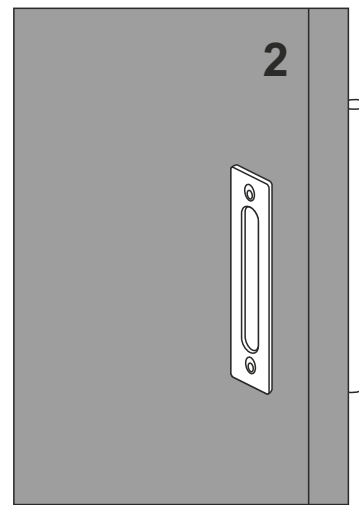
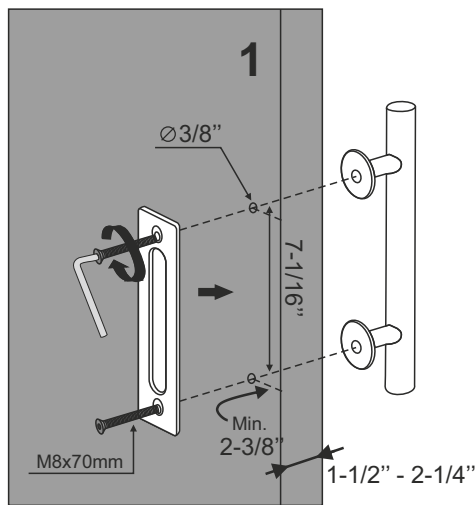
**WHAT'S IN THE BOX**



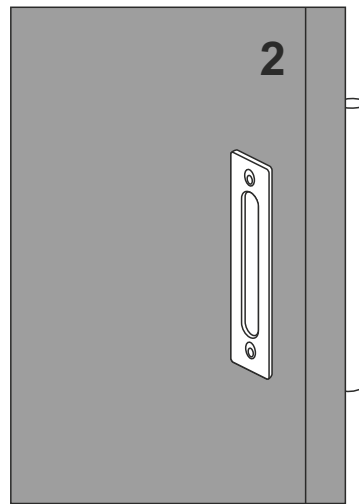
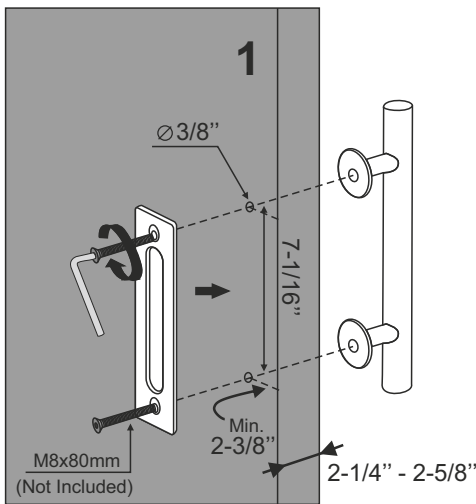
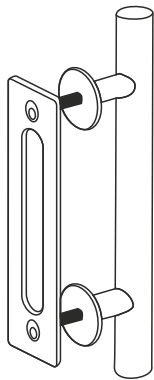
## INSTALLATION

### 1a. DOOR THICKNESS 1-1/2" to 2-1/4"

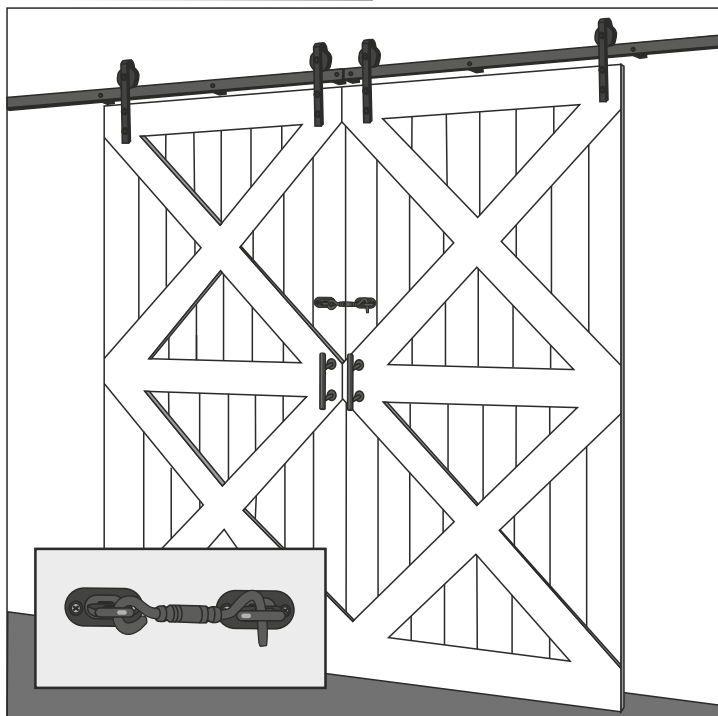
1. Mark holes on door in desired location. We recommend drilling the hole a minimum of 2-3/8" away from edge of door.
  2. Make sure marks are parallel to edge of door and correctly spaced with pre-drilled hole in flush plate. Drill 3/8" holes through both marks (double check prior to drilling)
  3. Insert bolts and hand tighten into pull handle on other side of door with the included allen wrench.
- Note: For doors thicker than 2-1/4" refer to illustration 1b (larger bolts not included)



### 1b. DOOR THICKNESS 2-1/4" to 2-5/8"



## DOUBLE DOOR LATCH



## SINGLE DOOR LATCH

