

Temperature Controller W1218



Probe operating temperature: -20°C to 100°C

Display operating temperature: -10°C to 60°C

Operating voltage: 12V DC

Measurement accuracy: 0.1°C

Control accuracy: 0.1°C

Return difference accuracy: 0.1°C

Refresh rate: 0.5s

Measuring input: NTC (10K 0.5%) length 0.8 meter, waterproof sensor

Output: 1 way 10A /250VAC 20A/14VDC relay

Humidity: 20% to 85%

Power consumption: $\leq 35\text{mA}$ (static), $\leq 65\text{mA}$ (relay close)

Module size: 47 x 29 x 33mm

Mode	Description	Set Range	Factory Setting
P0	Heating/Cooling	H/C	C
P1	Return Difference	0.1 to 15	2
P2	Set Limit Max	110	110
P3	Set Limit Min	-10	-10
P4	Temperature Correction	-7 to 7	0
P5	Delay Start	0 to 10 min	0
P6	High Temperature Alarm	-10 to +110	OFF
	Factory Reset	ON/OFF	OFF

PROGRAMMING

1. Press the SET button on the display flashes the temperature that can be changed with the + and - keys.
2. Press and hold the SET button for a few seconds.

0P0 will appear on the display

Program responsible for heating "H" or cooling "C"

If 0P0 is on the display then press SET again

And with the keys + and - we change the program 00H or 00C

Pressing SET again exits from 0P0

Use the + and - keys to select the next program.

From P0 "0P0" to P6 "0P6"

P0 program for heating or cooling H/C

P1 program in which we set the inertia temperature (higher in the case of set heating, less for the program cooling), after which the regulator is to switch off the heating or cooling.

Range between switch-on (set) and off (0.1 to 15°C)

Example: If the main heating temperature H is set to 24.0°C and program P1 is set to 0.7, the regulator switches on at 24.0°C and switches off at 24.7°C. If the cooling program C is set, the regulator switches off the contact at 23.3°C

P2 program in which we set the upper temperature limit from -4.5 to 110°C

P3 program in which we set the lower temperature limit from -50 to 105°C

P4 program in which we adjust the thermometer in the range from -7 to 7°C

Set when the display temperature is different from ambient temperature (compare with other thermometers).

P5 delay time 0-10 min

P6 temperature alarm ON, OFF range 0 to 110°C

RESET SETTINGS: Press + and - for a few seconds

Example of switching on and off the gas furnace (including relay contacts)

- heating H
- minimum temperature 21°C
- maximum temperature 22°C
- temperature alarm 25.0°C

Press SET, flashes the display with the set temperature, changes the setting to 21.0°C

Press SET and hold down for 4 seconds, the display will show 0P0, press SET again and set 00H, press SET and display 0P1, SET set to 1.1.0, ie turn off the stove if temp is 1°C higher than desired, The stove will turn off at 22.0°C

P2. set example 027

P3. set example 019

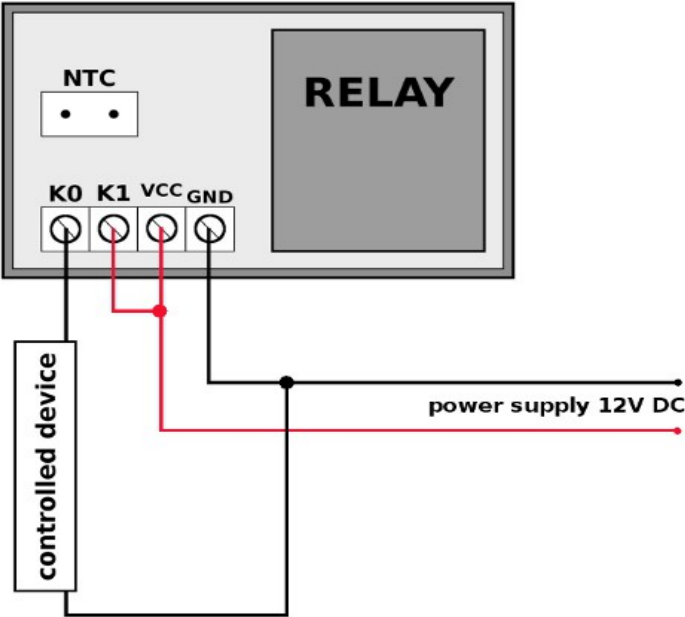
P4. set example 000

P5. set example, 000

P6. For example, ON0 and 025°C temperature alarm on the display will appear dashes ---



Connection diagram if temperature controller and measured device supplied 12V



Connection diagram if measured device supplied other than 12V

