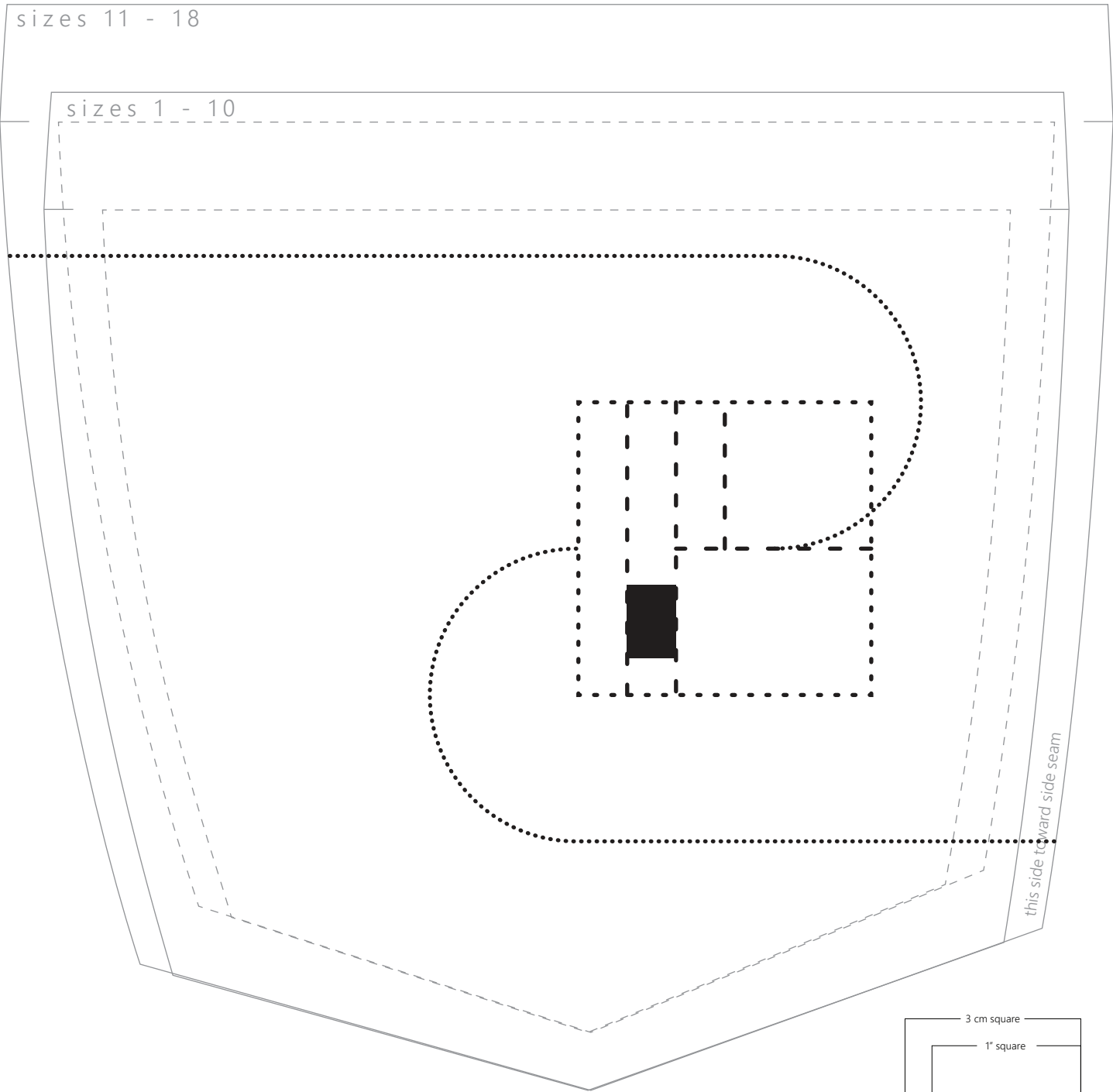


halfmoon 101 JEANS • pocket detail

inspired by a window design near Hoi An, Vietnam

sizes 11 - 18

sizes 1 - 10



this side toward side seam

3 cm square

1" square

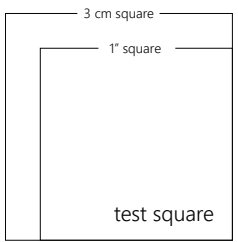
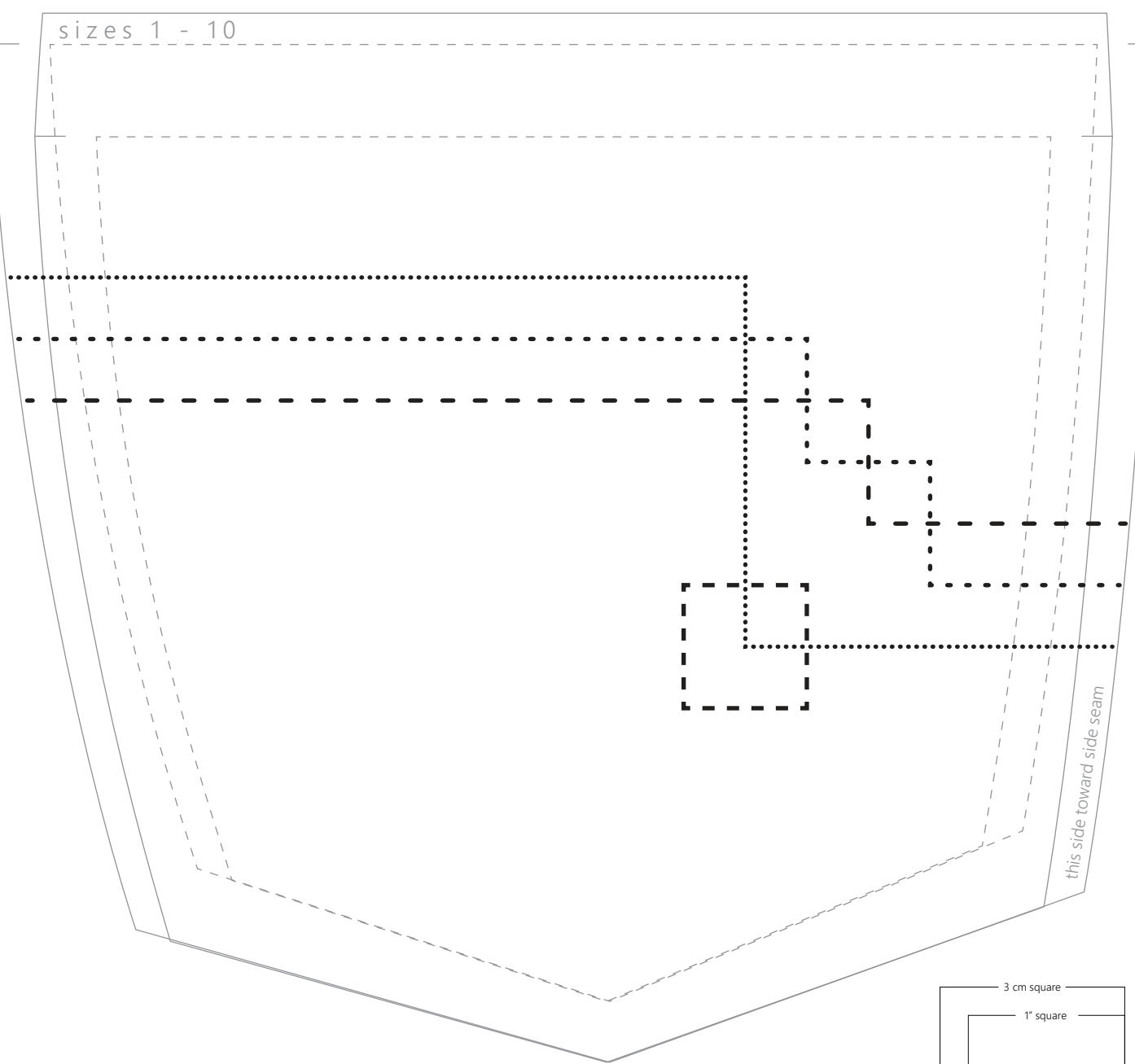
test square

halfmoon 101 JEANS • pocket detail

inspired by a window design in Ho Chi Minh, Vietnam

sizes 11 - 18

sizes 1 - 10



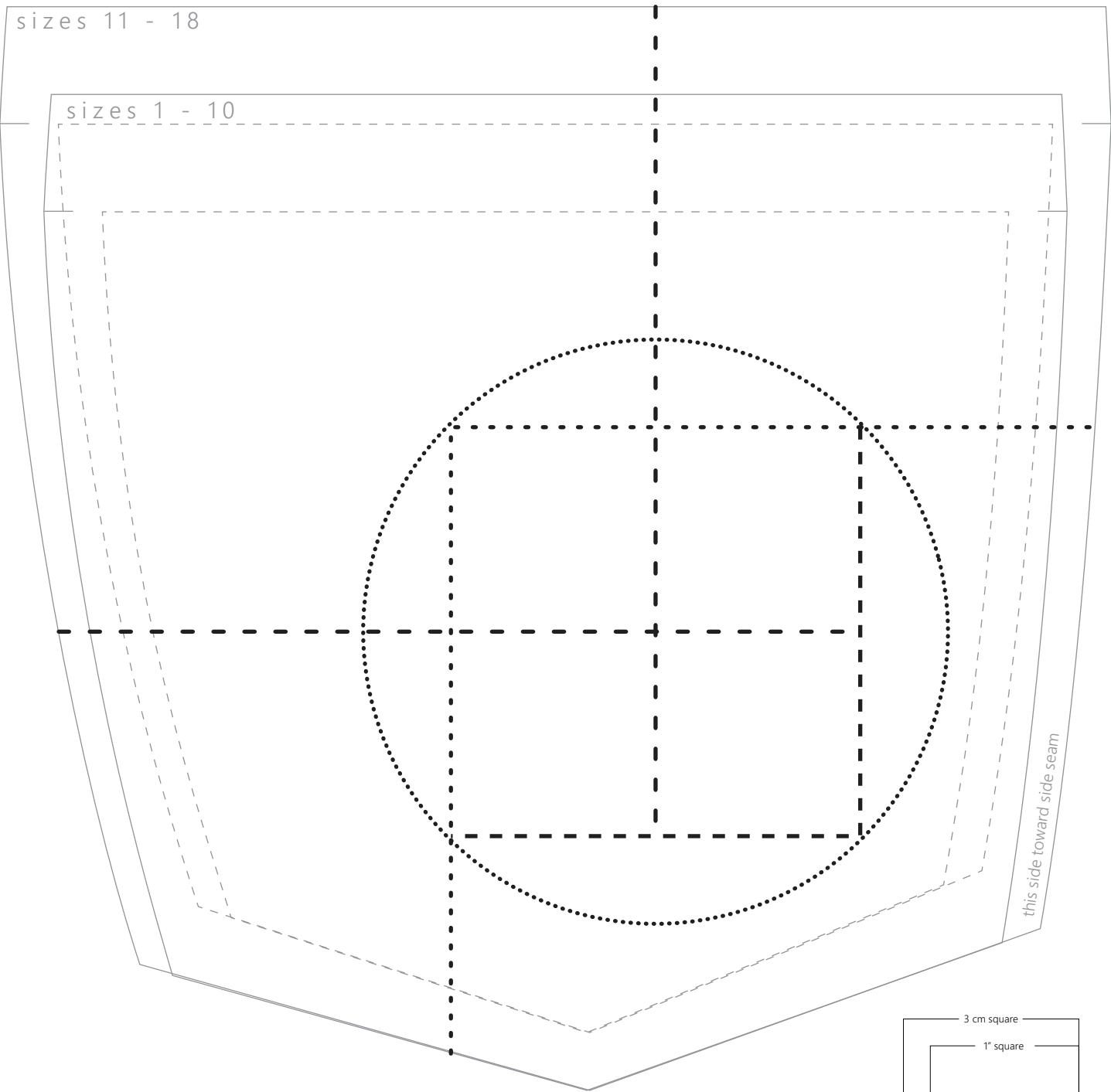
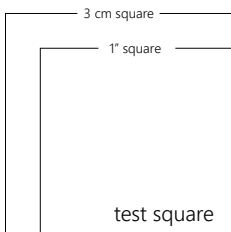
halfmoon 101 JEANS • pocket detail

inspired by a window design in Da Lat, Vietnam

sizes 11 - 18

sizes 1 - 10

this side toward side seam

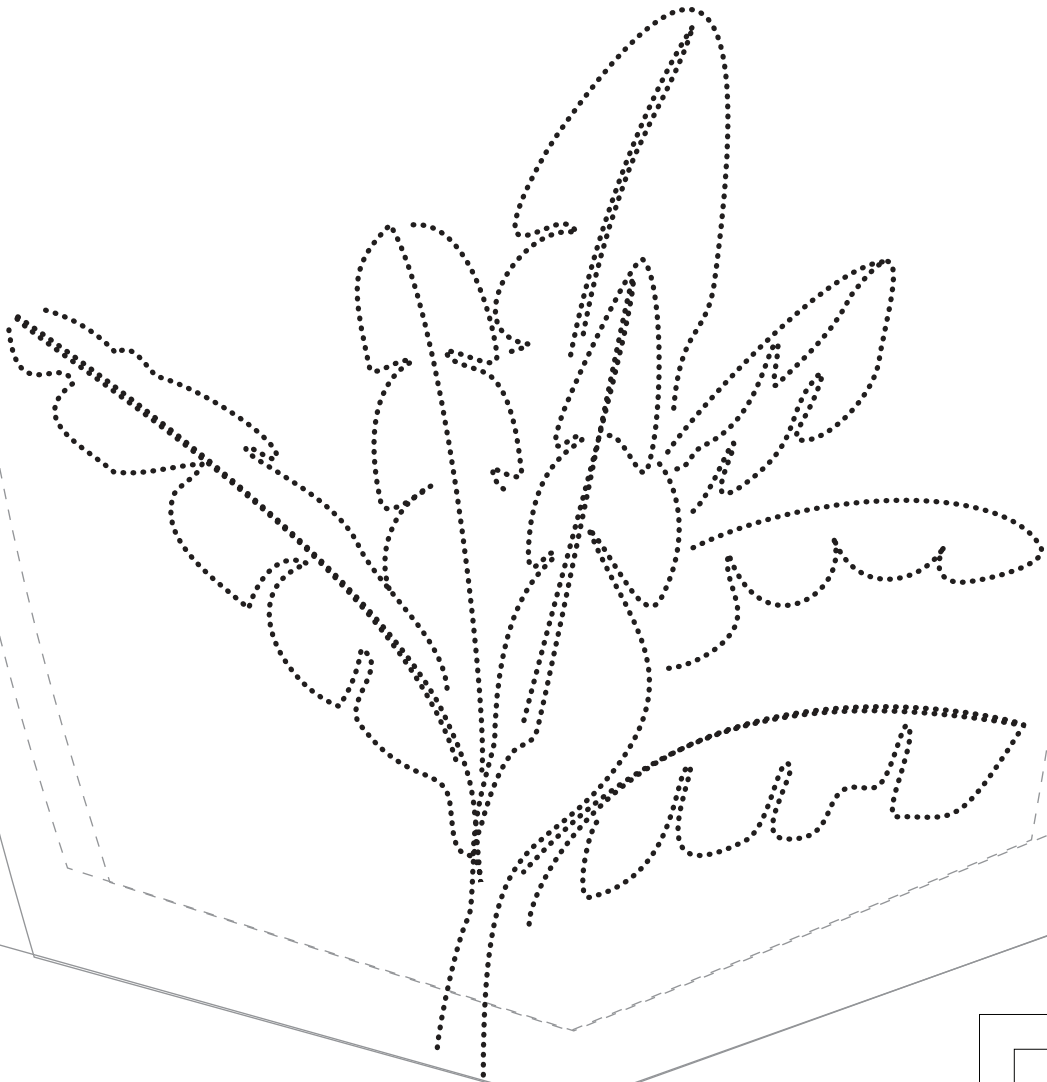


halfmoon 101 JEANS • pocket detail

inspired by a banana tree in my yard on Saba

sizes 11 - 18

sizes 1 - 10



this side toward side seam

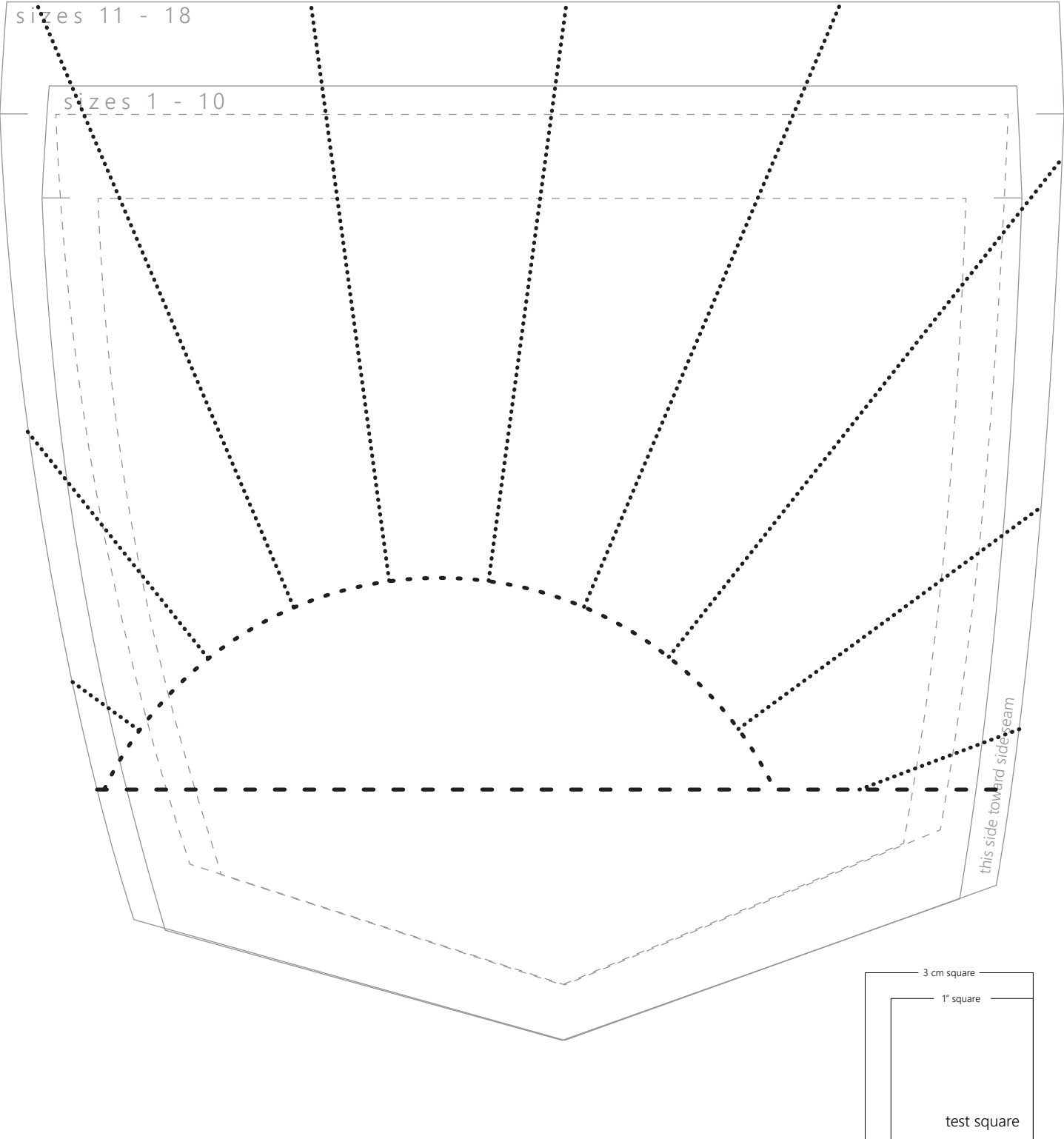
3 cm square

1" square

test square

halfmoon 101 JEANS • pocket detail

inspired by the sun



halfmoon 101 JEANS • pocket detail

inspired by one of my testers and the letter "M" for Meghann.
you can do this with the first letter of your name, too!

sizes 11 - 18

sizes 1 - 10

