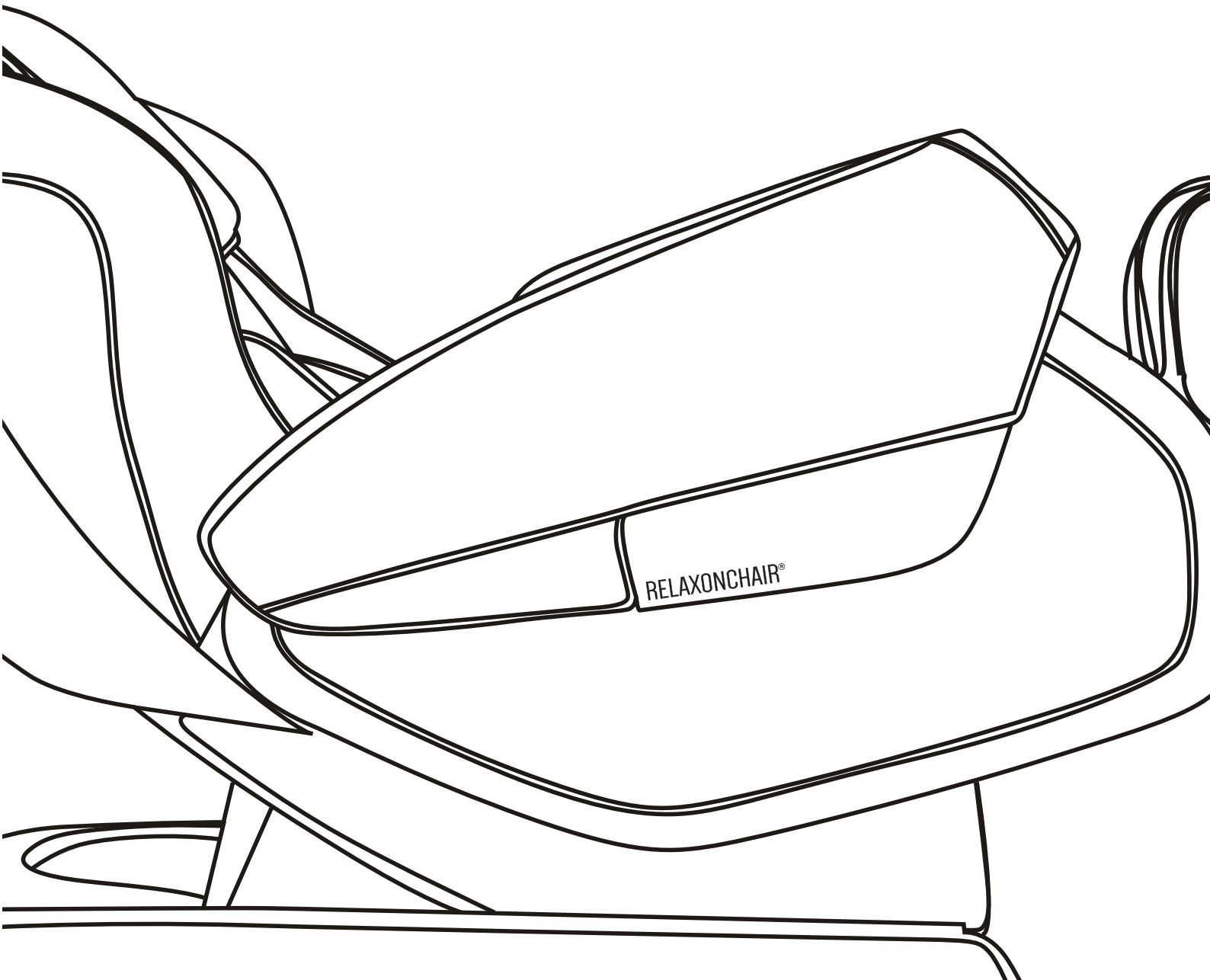


RELAXONCHAIR®

RC-MK IV

USER MANUAL



RELAXONCHAIR

RC-MKIV Massage Chair

Congratulations and thank you for trusting RELAXONCHAIR. You are about to discover the many joys of owning a premium RELAXONCHAIR™ RC-MKIV Massage Chair. Massage, combined with healthy eating, exercise and a good sleep regimen, is a great way to take care of your body & mind, leading to a happy, productive lifestyle.

For many years, RELAXONCHAIR has been the trusted source for a quality massage products that improve your life. The RELAXONCHAIR™ RC-MKIV Massage Chair represents our heritage of delivering amazing, quality products since the beginning. It is covered by our exclusive 5 year limited warranty. Take comfort in knowing our quality engineering team goes the extra mile every day, to make sure our customers rarely need it.

We believe you are going to love this chair. If so, please tell others how it's changed your life. If we have somehow let you down, please tell us directly. Continuous feedback from our customers, either loving products or helping us to improve them, is critical to RELAXONCHAIR's success.

To communicate directly with us, please contact the RELAXONCHAIR Customer Care Center at (866) 647-3496. Representatives are available Monday through Friday from 9:00 A.M. to 5:00 P.M. (Pacific Time). You could also email us, anytime, at help@relaxonchair.com

Sincerely yours,

RELAXONCHAIR Product Development Team

Table Of Contents

Safety, Cautions and warnings	4
Names of parts and functions	10
Preparation before use	12
Massage programs and selections	16
Product care and storage, specifications	19
Warranty	20

Before you start using your RELAXONCHAIR™ RC-MKIV Massage Chair, please read this operation manual thoroughly for correct methods of usage, especially the section on safety.

This manual should be kept on hand for easy reference. It is your guide to safe and efficient operation.

Safety, Cautions and Warnings

IMPORTANT SAFETY INSTRUCTIONS

When using the RELAXONCHAIR™ RC-MKIV Massage Chair, basic precautions should always be followed, including the following: Read all instructions before using the RELAXONCHAIR™ RC-MKIV Massage Chair.

DANGER – To reduce the risk of electric shock:

1. Always unplug this RELAXONCHAIR™ RC-MKIV Massage Chair from the electrical outlet immediately after using and before cleaning.
2. Never use pins or other metallic fasteners with this appliance.
3. Carefully examine the covering before each use. Call for service if the covering shows any sign of deterioration, such as blistering, peeling or cracking.
4. Keep dry – Do not operate in wet or moist conditions.

WARNING – To reduce the risk of burns, fire, electric shock or injury to persons:

READ ALL INSTRUCTIONS BEFORE USING.

1. RELAXONCHAIR™ RC-MKIV Massage Chair should never be left unattended when plugged in. Unplug from the outlet when it is not in use and before putting on or taking off parts.
2. Close supervision is necessary when this RELAXONCHAIR™ RC-MKIV Massage Chair is used by or near children or disabled persons. Keep children away from reclining backrest and extended leg rest.
3. Use this RELAXONCHAIR™ RC-MKIV Massage Chair only for its intended use as described in this manual. Do not use attachments not recommended by the manufacturer.
4. Never operate this RELAXONCHAIR™ RC-MKIV Massage Chair if it has a damaged cord or plug, if it is not working properly, if it has been dropped or damaged, or dropped into water. Contact RELAXONCHAIR™ Customer Service at (866) 647-3496.
5. Do not carry this RELAXONCHAIR™ RC-MKIV Massage Chair by the power cord or use cord as a handle.
6. Keep the cord away from heated surfaces.
7. Never operate the RELAXONCHAIR™ RC-MKIV Massage Chair with the air openings blocked. Keep the air openings free of lint, hair and the like.
8. Never drop or insert any object into any opening.
9. Do not use outdoors. RELAXONCHAIR™ RC-MKIV Massage Chair is intended for indoor only.
10. Do not operate where aerosol (spray) products are being used or where oxygen is being administered.

Safety, Cautions and warnings

11. To disconnect, turn all control to the off position, then remove the plug from the outlet.
12. Do not stand on or in the RELAXONCHAIR™ RC-MKIV Massage Chair. Use only while seated properly.
13. The product is not intended for use by children or persons with reduced physical, sensor or mental capabilities, or lack of experience and knowledge unless they have been given supervision or instruction concerning use of the product by a person responsible for their safety.
14. Children should be supervised and ensure that they do not play with the product.
15. Use heat feature carefully. May cause serious burns. Do not over use if you have sensitive skin or if you have poor circulation. The unattended use of heat by children or disabled persons may be dangerous. Check the skin in contact with the heated area of the appliance frequently to reduce the risk of blistering.
16. Burns may result from improper use.
17. Do not crush – avoid sharp folds.
18. Keep children away from extended foot support (or other similar parts).
19. DO NOT WET – DO NOT USE PINS.
20. NEVER REMOVE COVER.
21. Connect this appliance to a properly grounded outlet only. See Grounding instructions.

SAVE THESE INSTRUCTIONS

This RELAXONCHAIR™ RC-MKIV Massage Chair is intended for household use only.

1. Usage Environment

- Do not use the RELAXONCHAIR™ RC-MKIV Massage Chair in an excessively humid or dusty environment as this may result in malfunction or electric shock.
- Do not use the RELAXONCHAIR™ RC-MKIV Massage Chair in a room with a temperature of 104° F or higher.
- Do not expose the RELAXONCHAIR™ RC-MKIV Massage Chair to heater, stoves or direct sunlight.
- Place and use the RELAXONCHAIR™ RC-MKIV Massage Chair on an even, non-slip floor.
- The RELAXONCHAIR™ RC-MKIV Massage Chair is designed for home use and not for commercial purposes.

Safety, Cautions and warnings

Caution

- ⚠ The RELAXONCHAIR™ RC-MKIV Massage Chair is to be used indoors only.
- ⚠ If you use the RELAXONCHAIR™ RC-MKIV Massage Chair in a cold room, do not increase the room temperature abruptly. It is recommended that you increase the temperature gradually to a normal level.
- ⚠ If the RELAXONCHAIR™ RC-MKIV Massage Chair is stored in a cold place and is being brought into a warm environment, it is advisable to wait one hour before use. This is because its performance may not be at optimum level as there may be water droplets on the mechanical parts due to condensation. Using the RELAXONCHAIR™ RC-MKIV Massage Chair under such conditions may result in malfunction.

2. Safety Precautions

- To ensure safe and correct use of the RELAXONCHAIR™ RC-MKIV Massage Chair, do not operate it without reading this operation manual carefully.
- Do not use the RELAXONCHAIR™ RC-MKIV Massage Chair when the upholstery or seat is removed. This may cause injury or malfunction.
- Do not use the RELAXONCHAIR™ RC-MKIV Massage Chair in combination with other therapeutic equipment or electric blanket etc. as this may result in ineffectiveness or injury.
- Do not use the RELAXONCHAIR™ RC-MKIV Massage Chair an hour before or after eating as this may have adverse effects on the user.
- Do not allow children or pets to play around the RELAXONCHAIR™ RC-MKIV Massage Chair, e.g., behind the backrest, under the seat or leg rest of the RELAXONCHAIR™ RC-MKIV Massage Chair. This may result in injury.
- Do not rest or place heavy objects on the armrests, leg rest or backrest as this may result in malfunction or injury.
- Do not use the RELAXONCHAIR™ RC-MKIV Massage Chair when your body is wet.
- Do not operate the RELAXONCHAIR™ RC-MKIV Massage Chair with wet hands.
- It is not recommended to use the massage for more than 20 minutes.
- Do not perform continuous massage on the same spot of your body for more than 5 minutes at a time as this may result in excessive stimulation and may have adverse effects.
- Do not insert your hand or foot along the paths of the massage rollers during use as this may cause injury.
- Stop operation immediately if you experience any discomfort.
- This product is not intended for self-treatment of conditions that should be managed by a qualified health care provider.
- People on medication or with medical conditions, please consult your doctor before use. Please do not use the product if you are not feeling well.

Safety, Cautions and warnings

- Remove all scarves, neckties, necklaces and jewelry before using the massager.

3. People with Medical conditions

Consult your doctor before use if you:

- Are under medical rest as ordered by a doctor.
- Have spinal disorders, an abnormal spinal condition or have suffered a spinal injury.
- Have back problems.
- Have diabetes, osteoporosis or sensory impairment.
- Have joint dysfunction.
- Have a pacemaker or other electronic medical devices.
- May be pregnant.
- Have phlebitis or thrombosis.
- Have an increased risk for blood clots.
- Had recent surgery.
- Have surgical pins, screws, or anything mechanical implanted in your body.

Caution

- ⚠ The RELAXONCHAIR™ RC-MKIV Massage Chair is not intended for use by children or persons with reduced physical, sensory or mental capabilities, or lack of experience and knowledge, unless they have been given supervision or instruction concerning use of the RELAXONCHAIR™ RC-MKIV Massage Chair by a person responsible for their safety.
- ⚠ Children should be supervised to ensure that they do not play with the RELAXONCHAIR™ RC-MKIV Massage Chair.
- ⚠ Avoid using the RELAXONCHAIR™ RC-MKIV Massage Chair under the influence of alcohol.
- ⚠ Do not apply massage rollers directly on the head, elbow or knee joints, torso or abdomen.
- ⚠ If you legs or feet slip off the leg rest during massage, do not force them back in as this may result in injury.
- ⚠ Remove the power plug from the electrical outlet immediately should liquid be accidentally spilled onto the RELAXONCHAIR™ RC-MKIV Massage Chair. Do not use wet hands to connect or disconnect the power plug from the electrical outlet.
- ⚠ Do not tamper with the power cord or use the RELAXONCHAIR™ RC-MKIV Massage Chair with a damaged cord as this may result in malfunction and/or electric shock.

Safety, Cautions and warnings

4. Instances when the RELAXONCHAIR™ RC-MKIV Massage Chair should not be used

In the following events, please switch off the main power switch immediately and disconnect the power cord from the electrical outlet:

- If water is accidentally spilled onto the RELAXONCHAIR Chair. This may result in electric shock or malfunction.
- If the fabric of the backrest is torn and the internal components are exposed.
- If pain or discomfort is felt during massage, stop operation immediately a consult your doctor.
- If you detect any malfunction or any other abnormal condition during operation.
- If there is a power out ledge. Injury may occur when power is restored unexpectedly.
- If there is lightning.

5. Assembly and repair of the RELAXONCHAIR™ RC-MKIV Massage Chair

- Do not attempt to disassemble the RELAXONCHAIR™ RC yourself unless instructed to do so by RELAXONCHAIR's Technical Support Team. Touching the internal components may result in malfunction or electric shock.
- RELAXONCHAIR™ RC-MKIV Massage Chair must be serviced or repaired by authorized service center.

6. Things to note about the power plug and cord

- Check that the Alternating Current (AC) voltage corresponds with the specification indicated for the RELAXONCHAIR™ RC-MKIV Massage Chair.
- Do not connect or disconnect the power plug from the electrical outlet with wet hands. This may result in malfunction or electric shock.
- When disconnecting the power plug, pull it by holding the plug, not the cord.
- Although operation will be stopped automatically by the Auto always remember to switch off the main power switch after use.
- Do not place the power cord under the RELAXONCHAIR Chair or any other heavy objects.
- Do not wind the power cord around the RELAXONCHAIR Chair as this may damage the cord and result in a fire or electric shock.
- Do not operate the RELAXONCHAIR™ RC-MKIV Massage Chair with a damaged cord or extension cord.
- Do not use the RELAXONCHAIR™ RC-MKIV Massage Chair if the electrical outlet is loose.
- If the power cord is damaged, it should be replaced by a qualified technician.

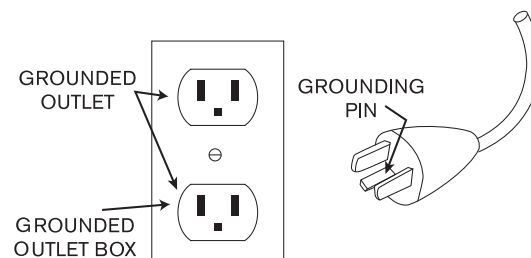
Safety, Cautions and warnings

7. Grounding instruction

This product must be grounded. If it should malfunction or break down, grounding provides a path of least resistance for the electric current to reduce the risk of electric shock. This product is equipped with a cord or an equipment-grounding conductor and a grounding plug. The plug must be plugged into an appropriate outlet that is properly installed and grounded in accordance with all local codes and ordinances.

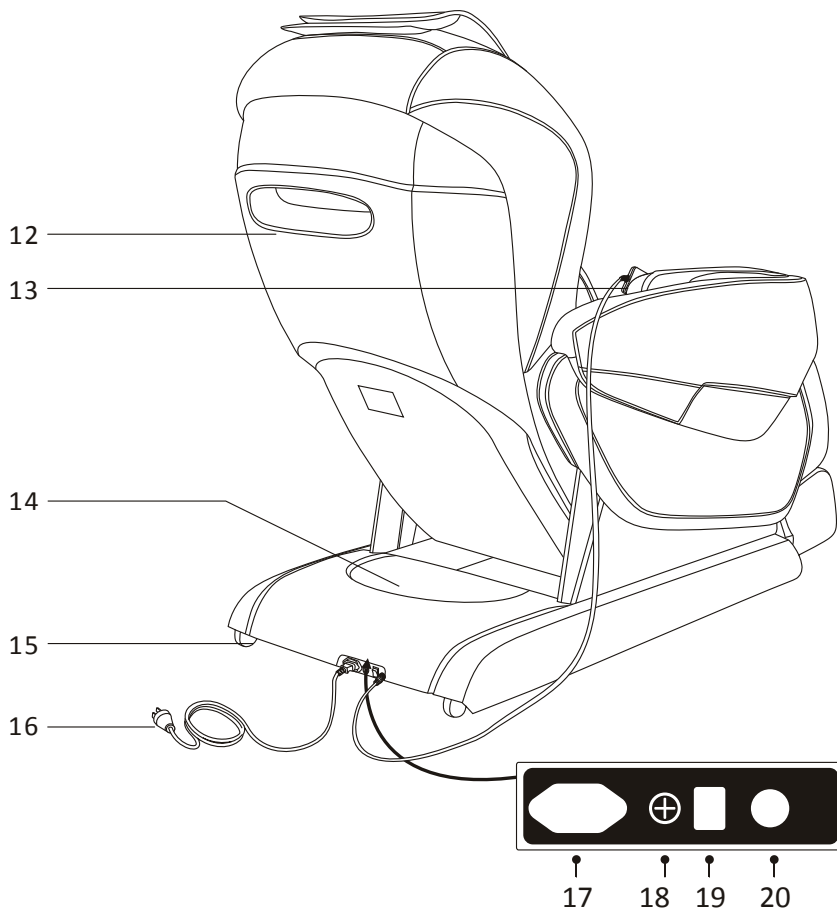
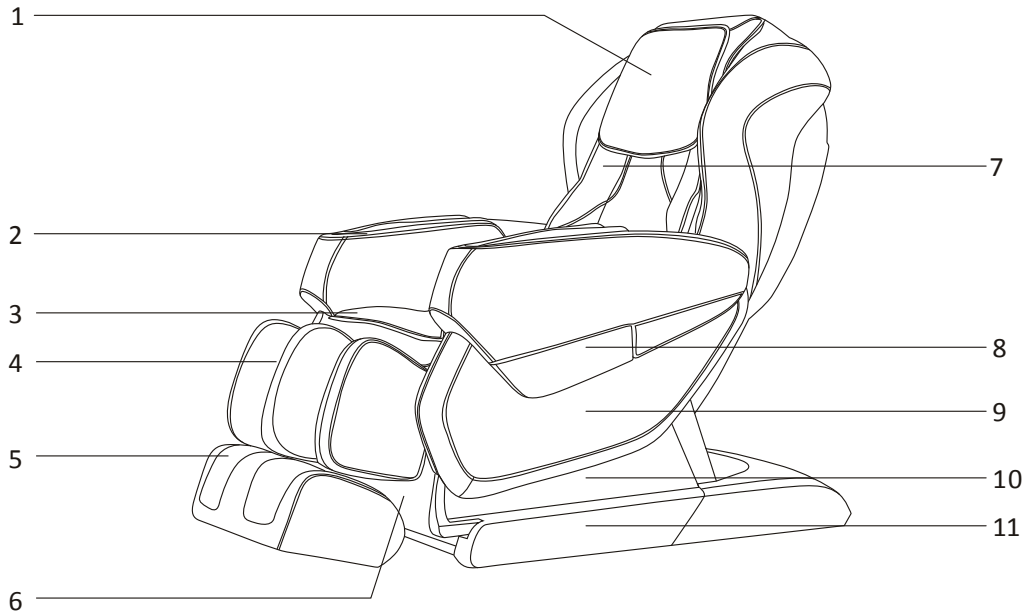
Danger – Improper connection of the equipment-grounding conductor can result in a risk of electric shock. Check with a qualified electrician or service technician if you are in doubt as to whether the product is properly grounded. Do not modify the plug provided with the product – if the supplied plug does not fit the outlet, have a proper outlet installed by a qualified technician.

This product is for use on a nominal 120V circuit and has a grounding plug that looks like the plug illustrated below. Make sure the product is connected to an outlet having the same configuration as the plug. No adapter should be used with this product.



Name of parts and functions

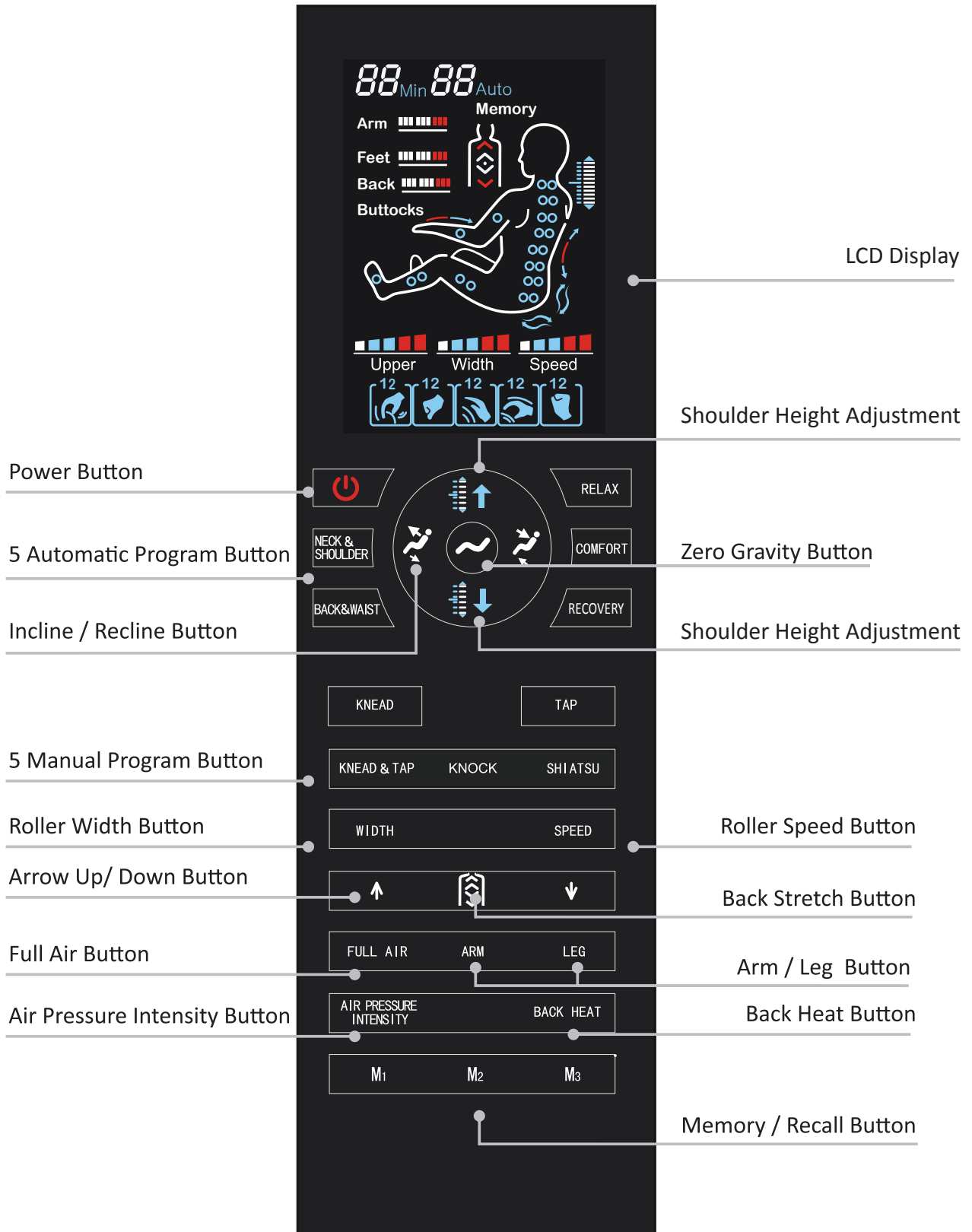
Overview



- 1. Pillow pad
- 2. Arms airbags assembly
- 3. Seat cushion
- 4. Leg frame
- 5. Foot frame
- 6. Front shrouding
- 7. Back cushion
- 8. Decorating strip
- 9. Armrest
- 10. Slide side plate
- 11. Chassis back cover
- 12. Back cover
- 13. hand controller
- 14. the chassis cover
- 15. The movable pulley
- 16. Power cord and plug
- 17. Power cord socket
- 18. Fuse box
- 19. Power switch
- 20. Manual controller wire socket

Name of parts and functions

Remote Controller



Preparation before use

1. Moving the RELAXONCHAIR™ RC-MKIV Massage Chair

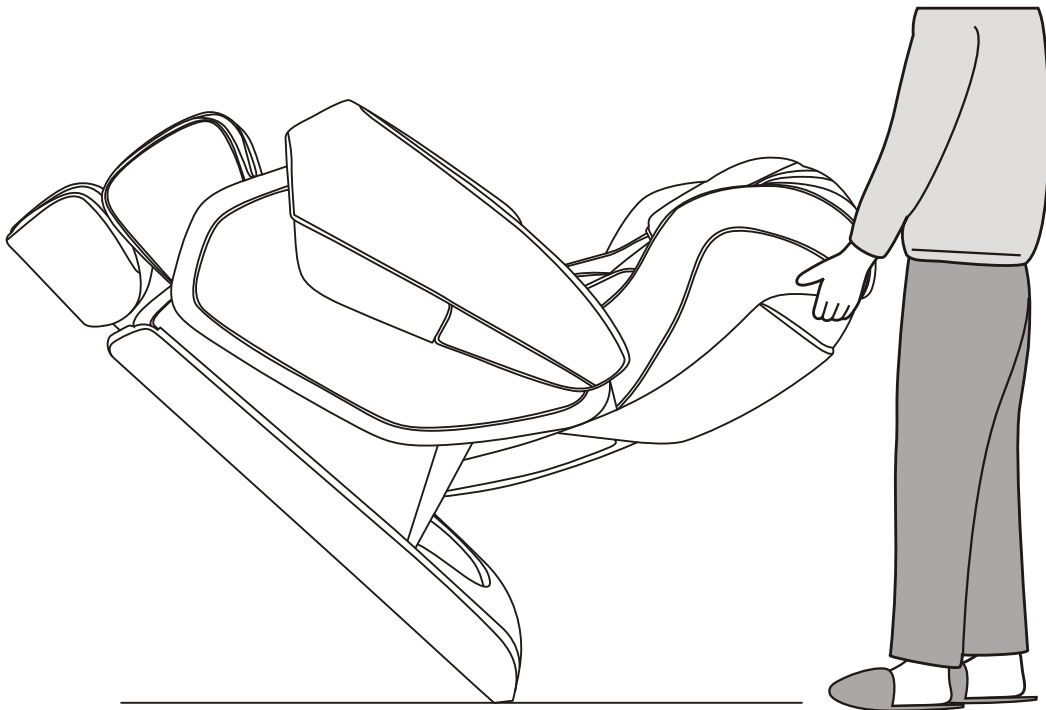
- Hold the back of the RELAXONCHAIR™ RC-MKIV Massage Chair and push downward to recline the chair to approximately a 45° Angle.
- Roll it to desired position, using the rollers located at the rear bottom of the chair.
- Gently place the chair on the floor.

(Illustration)

Caution

⚠ Disconnect all wires and cords including power cords & remote controller before you move the RELAXONCHAIR™ RC-MKIV Massage Chair.

⚠ Do not move the RELAXONCHAIR™ RC-MKIV Massage Chair when there is someone sitting on it. This will cause the RELAXONCHAIR™ RC-MKIV Massage Chair to tip over resulting in accident and injuries.

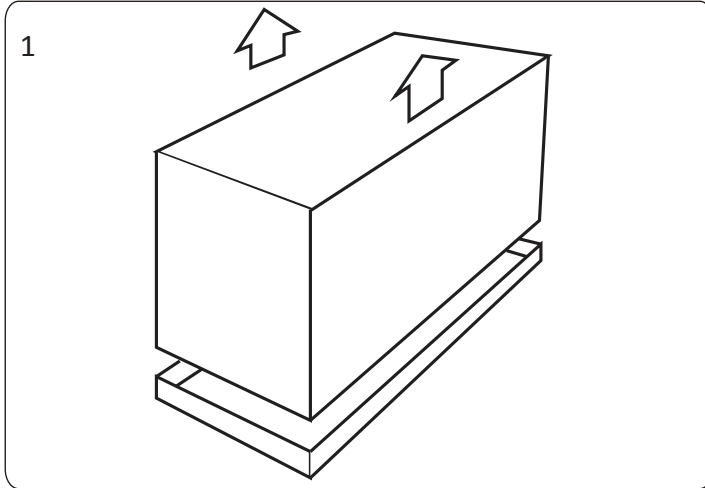


Preparation before use

2. Installation of foot rest


- RELAXONCHAIR™ RC-MKIV Massage Chair is shipped with the backrest reclined.
(illustration)

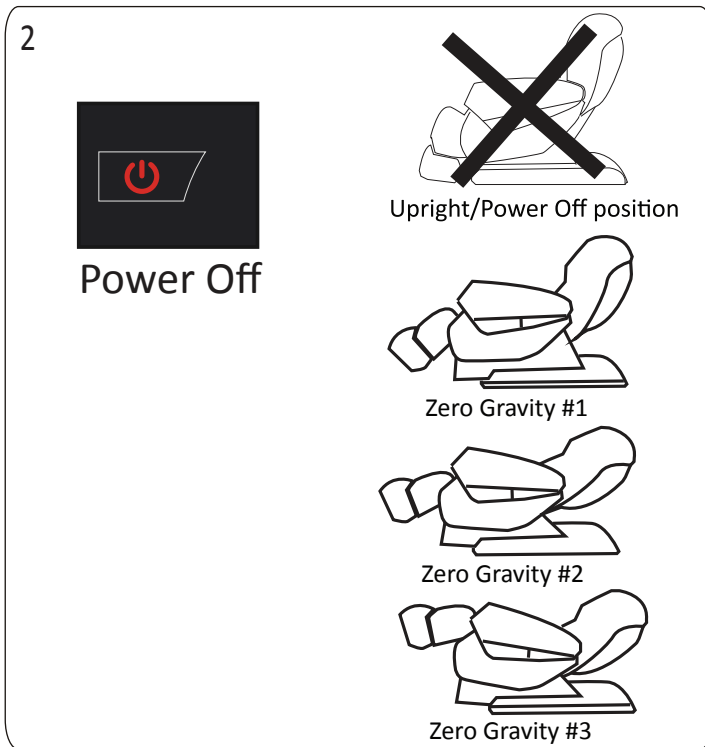
RELAXONCHAIR™ RC-MKIV Massage Chair is shipped with the backrest reclined.



Unpack your package

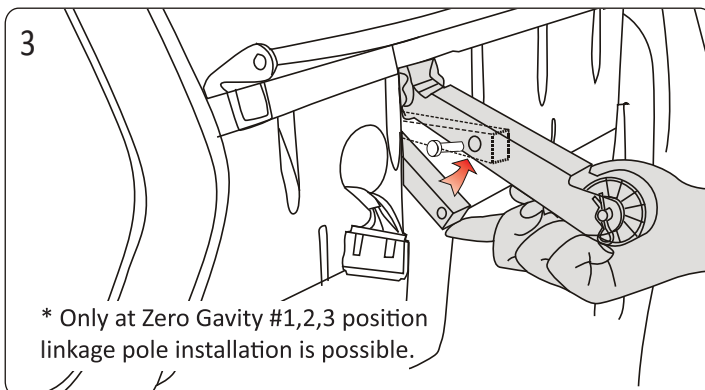
Removed Top package part.

-  Do not install Calf Massager at this time!
Calf massager will not connect properly.



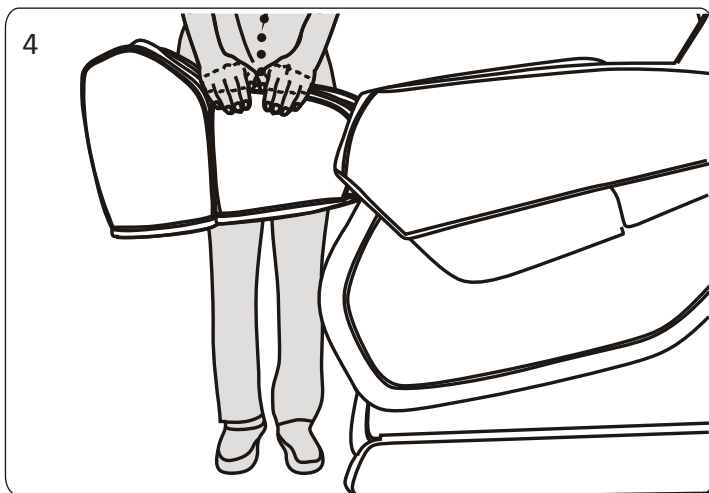
RELAXONCHAIR™ RC-MKIV Massage Chair is shipped with the backrest reclined.

Foot rest installation needs to be performed in one of three zero gravity position.



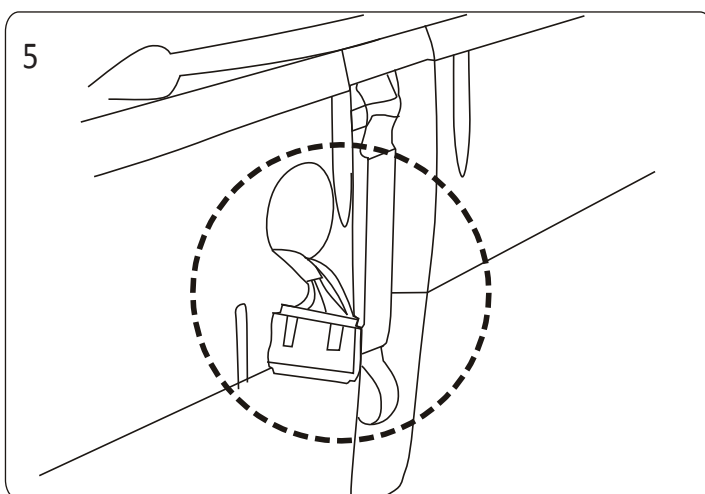
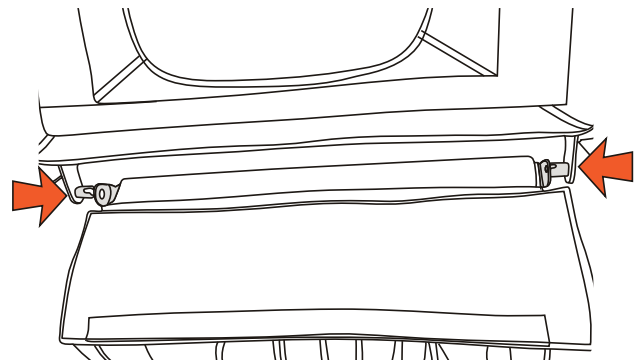
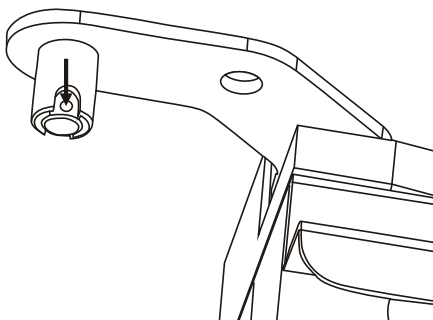
Linkage pole installation

1. Lift front linkage pole shown.
2. Pull out second pole behind and remove pin.
3. Align at the holes and connect two poles together and reconnect with pin to secure two poles together.



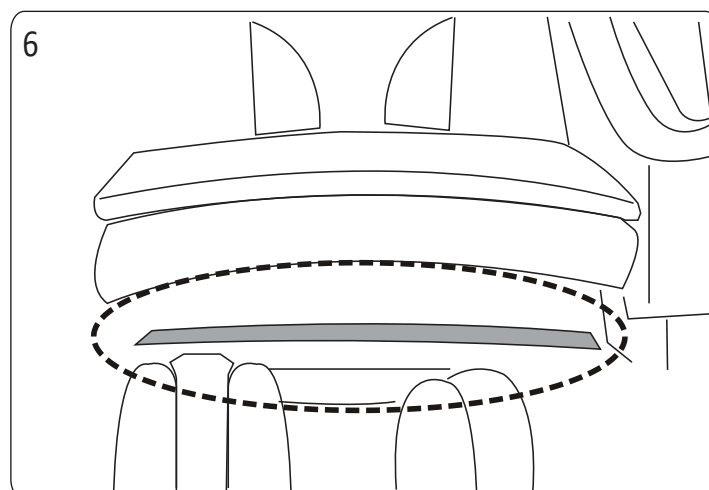
Calf installation

1. Remove pin and white plastic
2. Hole should be aligned
3. Install both side



Jack / Air hose connection

1. Connect electric lines between main frame and calf massager accordingly.
2. Connect air pressure hose between main frame and calf massager accordingly



Attaching velcro

1. Lift cushion and secure upper leather cover of calf massager to velcro lines of main body under seat cushion.

*Installation is done!
You can start enjoying your massage.

Preparation before use

3. Power On/Off

- Connect the main power cord located in the back of the chair to standard 110V electrical outlet.
- Turn On/Off the main power switch located at the back of the RELAXONCHAIR™ RC-MKIV Massage Chair to power the chair On/Off.
(Illustration)

Caution

- ⚠ Ensure the power cord is not placed under the RELAXONCHAIR™ RC-MKIV Massage Chair.
- ⚠ Ensure all switches are turned “OFF” including the main power switch before connecting the power cord to an electrical outlet.



↑ 17 ↑ 18 ↑ 19 ↑ 20

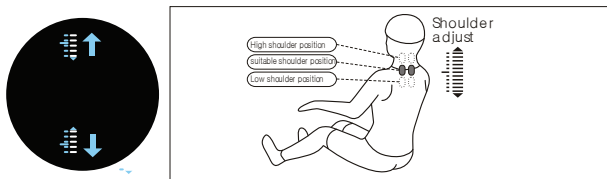
- 17. Power cord socket
- 18. Fuse box
- 19. Power switch
- 20. Manual controller wire socket

Massage programs and selections

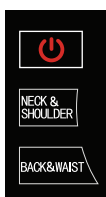
Automatic Massage Programs

You may select any automatic massage program that best suits your needs by pressing the respective automatic program button on the controller.

1. Power ON - Press Power button to switch on the controller. RELAXONCHAIR™ RC-MKIV Massage Chair will recline to its Zero Gravity Position #1 (Leg rest will be raised and the backrest will recline), the LCD on the controller will light up and the RELAXONCHAIR™ RC-MKIV Massage Chair will begin scanning your upper body.
2. Zero Gravity Position - You can move your Zero Gravity Position #1 to Zero Gravity Position #2 & #3 by pressing zero gravity position button again or you may choose to position the chair manually by pressing Incline button or Recline button.
3. Shoulder Height Adjustment - After scanning is done, the massage rollers will begin massage on your shoulder. At this time, you can adjust your shoulder height by pressing height adjustment button. The remote controller will beep once per second during shoulder height adjustment.



4. 5 Automatic Programs - After height adjustment has been made, the RELAXONCHAIR™ RC-MKIV Massage Chair will start automatic massage program #F1 (RELAX) automatically. You can choose different automatic massage program by pressing following automatic massage program buttons. Each program is designed for 20 minutes of massage session.



- RELAX (Auto F1) – Full body deep massage on acupuncture points to relax your aching body
- COMFORT (Auto F2) – Full body gentle massage designed to soothe your body
- RECOVERY (Auto F3) – Full body massage with aggressive tapping and rolling to help blood circulation and help boost energy
- NECK & SHOULDER (Auto F4) – Full body massage with major concentration on neck and shoulder area
- BACK & WAIST (Auto F5) – Full body massage with major concentration on lower back and waist area

5. The massage progress is shown on the LCD display. You can stop massage any time by pressing power button during the massage. After 20 minutes, massage will stop automatically. You can press power button to incline the chair to OFF position.



Massage programs and selections

Manual Messages

1. 5 manual back massages – You can choose 5 different massage techniques for your back

SHIATSU		• Shiatsu – Speed & Width can be adjusted
KNEAD		• Knead – Speed can be adjusted
TAP		• Tap – Speed & Width can be adjusted
KNEAD & TAP		• Knead & Tap – Speed can be adjusted
KNOCK		• Knock – Speed & Width can be adjusted
SPEED		• Speed – 3 levels of speed is adjustable by pressing Speed button
WIDTH		• Width – 3 levels of width is adjustable by pressing Width button

2. Back Stretch Button – This button allows your back massages to be targeted on one spot, small area only, whole upper body, partial upper back only or partial lower back only. There are 5 different settings you can choose to have your back massages.







	H0	• H0 (Spot) – The massage roller will stay in one spot of your back and continue to massage only one spot of your desired massage area.
	H1	• H1 (Partial) – The massage roller will move up and down very little around the spot area and continue to massage only small area of your desired massage area.
	H2	• H2 (Whole Body) – The massage roller will move up and down entire upper body from neck to lower waist section giving you full upper body massage.
	H3	• H3 (Neck to Upper Torso) – The massage roller will move up and down from neck to upper torso area giving you partial upper body massage.
	H4	• H4 (Torso to Waist) – The massage roller will move up and down from your torso area to your lower waist area giving you partial lower body massage.
		• Arrow Up / Down Button – By pressing these buttons, you can move massage rollers either up or down to your desired back area for H0 (Spot) or H1 (Partial) setting only. For H2 to H4 settings, these arrow buttons will not work since these three settings are pre-set.

3. Air Massage System

Air Massage System controls your arm and leg massages by built in air bags. You can use these buttons in either automatic or manual massage programs to customize your massages.

FULL AIR	Arm Feet	• Full Air Button – Press this button to start your air massages for your arm and your legs. Press again to stop the air massages.
----------	-------------	--

Massage programs and selections

FULL AIR	Arm  Feet 
ARM	Arm 
LEG	Feet 
AIR PRESSURE INTENSITY	Arm  Feet 

- Arm Button – Press this button to start your air massage for your arm only. This will stop any massage for your leg/foot and it will perform air massage to your arm only. Press this button to stop your air massage to your arm.
- Leg Button – Press this button to start your air massage for your legs and foot only. This will stop any massage for your arm and it will perform air massage to your legs only. Press this button to stop your air massage to your legs and foot.
- Air Pressure Intensity Button – There are 3 levels of air pressure intensity for built in air bags. Press this button to switch between 3 levels of intensity. Intensity levels of both arm and leg/foot changes together. There is no separate intensity control level for arm and another for leg/foot.

4. Back/Heat Button – Press this button to turn lower back heat on and off. When you turn on the heat, it normally takes about 3 minutes for the seat to get warm.



5. Memory / Recall Function –

First, you create your favorite massage with the any massage technique to any specific targeted area of your body including arm & foot with your desired intensity control and speed. Then you end that massage by pressing Power button. When you do, LCD screen will blink "SA memory". At this time, you can press any of three Memory button to save exact setting of the massage. LCD will indicate that the massage setting has been saved by blinking "Memory 1, 2 or 3". Then you can recall exact same setting of your favorite massage by pressing the same memory button. You can record up to 3 different massage settings and recall later.

M ₁	SA 1 Memory
M ₂	SA 2 Memory
M ₃	SA 3 Memory

6. Power OFF – Press Power button to stop any massage, if you want to stop the massage in the middle of massage session. LCD screen will blink "SA memory". If you do not want to record the massage and recall later, just Press Power button to power down the RELAXONCHAIR™ RC-MKIV Massage Chair. The chair will incline to OFF position and foot rest will be lowered to OFF position.

Caution

- ⚠ To avoid accidents and malfunction of the RELAXONCHAIR™ RC-MKIV Massage Chair, switch off the Main Switch and disconnect the power plug from the electrical outlet after use.
- ⚠ Always disconnect the power plug from the electrical outlet if the RELAXONCHAIR™ RC-MKIV Massage Chair is not being used for a period of time.

Product Care and Storage, Specification

Storing the RELAXONCHAIR™ RC-MKIV Massage Chair

- Wipe off dust and dirt from the RELAXONCHAIR™ RC-MKIV Massage Chair with a soft, dry cloth after use.
- Keep the RELAXONCHAIR™ RC-MKIV Massage Chair clean and away from places of high humidity.
- If the RELAXONCHAIR™ RC-MKIV Massage Chair is not going to be used for a long time, cover it with a dust cover and disconnect its power plug from the electrical outlet.
- Do not store the massage chair under direct sunlight or in places of high temperature. This may cause the color of the upholstery to fade.
- Do not allow the massage chair to remain in contact with vinyl or wallpaper for extended periods of time as this could lead to discoloration.

Cleaning the RELAXONCHAIR™ RC-MKIV Massage Chair

- Before cleaning, ensure that the main power switch is turned off and AC plug is disconnected from the electrical outlet.
- Wipe off dust and dirt from the RELAXONCHAIR™ RC-MKIV Massage Chair after use.
- The RELAXONCHAIR™ RC-MKIV Massage Chair can be cleaned thoroughly with a piece of slightly damp cloth. Do not pour any liquids directly on to the chair.
- Do not iron the upholstery.
- Do not use abrasive cleaning agents like benzene or thinner to clean the RELAXONCHAIR™ RC-MKIV Massage Chair. This may cause the upholstery to fade.
- Do not use a wet cloth to clean the remote controller. This may result in malfunction of remote controller.

Specification

Model: RC-MK IV

Name: Massage Chair

Rated voltage: 110-120V~ 60Hz
220-240V~ 50Hz/60Hz

Rated power input:150W

Rated time: 20Min

Safety structure: Class I

Material introduction: PVC, PA, Steel Parts and Electric & Electron Parts

MATERIAL	PU	LEATHER	CLOTH	WOOD
	✓			

Warranty

RELAXONCHAIR warrants to the original purchaser of this product that the product will be free from manufacturing defects in workmanship and material for a period of five (5) years from original date of purchase with following coverage.

Original purchaser must provide proof of purchase for the warranty. :

For the 1st Year from the date of original purchase, the warranty covers all parts and labor including transportation to and from authorized repair center when on-site repair is not available.

For the 2nd year, this warranty covers defective parts or components only.

The original purchaser must contact RELAXONCHAIR customer service department and provide a description of the defective part, including digital pictures if requested. RELAXONCHAIR shall supply such defective part to the original purchaser and original purchaser can repair by him or herself or choose to send the product to nearest authorized repair center. In this case, original purchaser is responsible for labor cost of the repair and transportation to and from the authorized repair center. RELAXONCHAIR shall not cover any transportation cost.

For the 3rd, 4th & 5th year, this warranty

covers main structural body frame only. In the event, main structural body frame either bends or break,

RELAXONCHAIR shall replace the frame.

Additional Extended Warranties are available at extra cost.

Please, call or email RELAXONCHAIR customer service department for additional information.

THIS WARRANTY DOES NOT COVER OR APPLY TO:

(1) normal wear and tear items including but not limited to Velcro, Zipper, or tears in any fabric and cosmetic covers,

(2) damage to the product due to misuse, mishandling, and abuse, (3) product not assembled or installed according to manufacturer's instructions, (4) damage or loss that has occurred during shipping or transportation, any claims for such loss or damage must be addressed and resolved with the designated carrier, (5) accidental damage or negligence of end user such as stains, fluids, mold, water damage, animal damage, cuts, and burns, (6) act of God, (7) any property damage other than the product and/or economic loss of end user, (8) any second-hand owner. This warranty is not transferrable and only applies to original purchaser. (9) any commercial use of this product voids this warranty. This product is intended for residential use only.

Warranty Claim Procedure: You can reach RELAXONCHAIR customer service department either by email us at help@relaxonchair.com or Call us at (866) 647-3496.

Customers must provide proof of purchase for any warranty claim.

Repair Order Number shall be assigned once we receive your claim.

Authorized repair center will not accept any repair without Repair Order Number.

This warranty gives you specific legal rights.

You may also have other rights that vary from state to state.

RELAXONCHAIR®

Customer Care Center at (866) 647-3496
Representatives are available
Mon.~ Fri. 9:00 A.M.~ 5:00 P.M.(PST).
help@relaxonchair.com

THANK YOU

We sincerely appreciate your business. We hope that you are pleased with your purchase and would love to hear from you!

Please submit a review so that we have feedback on how we are doing. We highly value our customer's satisfaction and strive to provide only the best products for our customers. Every week we randomly select reviews we received from our customers and send a free gift valued at \$50.00 to those selected.

Review Steps

1. Log into your Amazon account.
2. Go to your orders. Click on "Write a product review" and give us your rating
3. Please write your review.

Best Regards,
Relaxonchair Customer Service
www.relaxonchair.com



Mailing Address RELAXONCHAIR
*post stamp required PO. BOX 871
BREA, CA 92822-0871

Cut

Fold along the line

WARRANTY REGISTRATION CARD

Name: _____

Address: _____

Phone number: _____

E-mail: _____

Model name: _____

Model number: _____

Purchase price: _____ Purchase from: _____

Date purchased: _____

Your Message:

