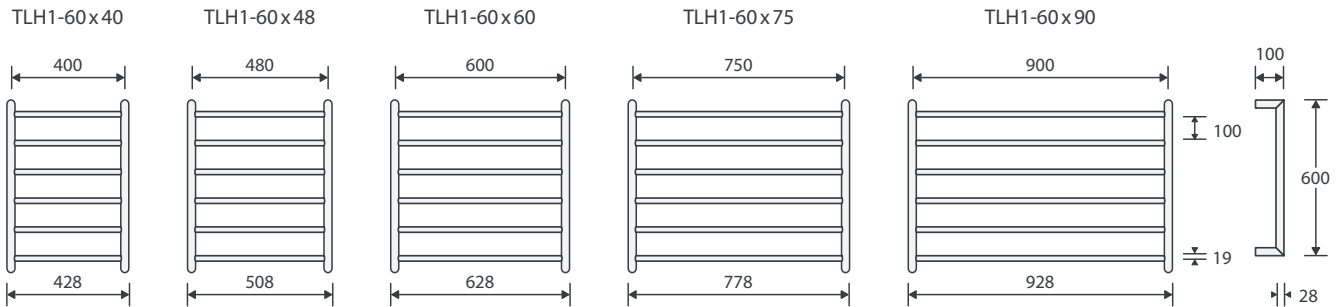


Form 6

Heated & Non-Heated Towel Rails

DETAILED DIMENSIONS



VARIATIONS

Heated Version	Non-Heated Version	Height x Width	Rails	Wattage
TLH1-60x40	TLN1-60x40	600 x 428 mm	6	45 Watts
TLH1-60x48	TLN1-60x48	600 x 508 mm	6	50 Watts
TLH1-60x60	TLN1-60x60	600 x 628 mm	6	65 Watts
TLH1-60x75	TLN1-60x75	600 x 778 mm	6	90 Watts
TLH1-60x90	TLN1-60x90	600 x 928 mm	6	90 Watts

STANDARD FINISHES

Mirror Polished

Stainless Steel

RRP

Brushed

Stainless Steel

+20%**

Matt Black

Powder coated

+40%**

Matt White

Powder coated




+40%**

Electroplated *

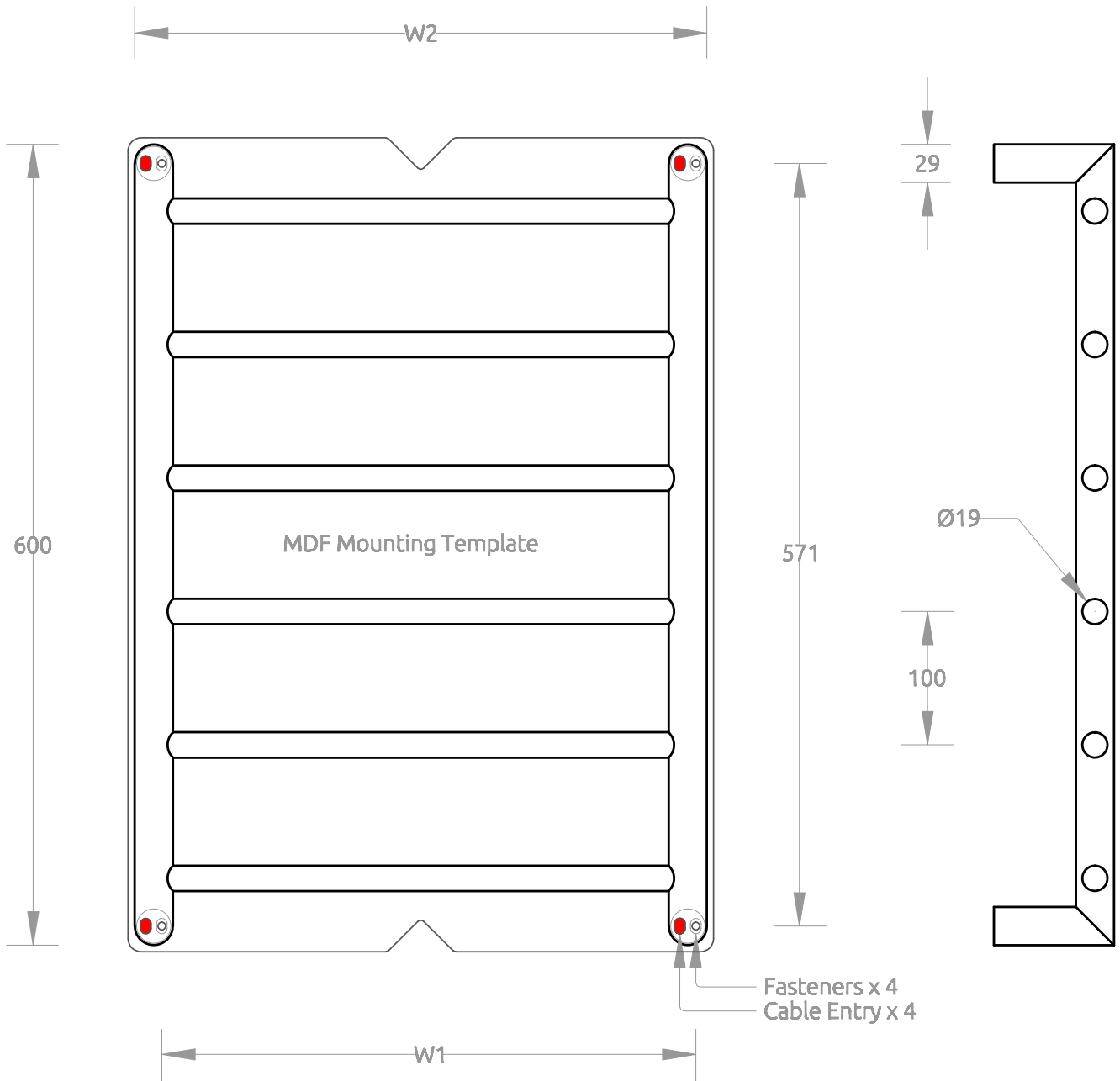
e.g. Graphite

+60% (Made to Order)

SPECIFICATIONS

<p>Voltage 240VAC / 50Hz</p> <hr/> <p>Material Stainless Steel 304</p> <hr/> <p>Finish Mirror Polished</p> <hr/> <p>IP Rating IPX5</p>	<p>Standards AS/NZ 60335.2.43</p> <hr/> <p>Electrical Connection Concealed Wiring or Plug-in - any leg (No In-Wall Kit required)</p> <hr/> <p>Heating Method Dry Internal Heating Element</p> <hr/> <p>Non-Heated version available</p>	<p>MADE IN AUSTRALIA </p>
		<p>HEATING TIME 30 MINUTES </p>
		<p>WARRANTY 10 YEAR </p>

* For electroplated finishes, please enquire (POA) ** Calculated on heated version



VARIATIONS

Heated Version	Non-Heated Version	W1 (Fixings)	W2 (Overall)
TLH1-60x40	TLN1-60x40	400mm	428mm
TLH1-60x48	TLN1-60x48	480mm	508mm
TLH1-60x60	TLN1-60x60	600mm	628mm
TLH1-60x75	TLN1-60x75	750mm	778mm
TLH1-60x90	TLN1-60x90	900mm	928mm