

avenir[®]

Technical Specifications

VERSION 2022.03



Classic

Heated & Non-Heated Towel Rails

VARIATIONS

Heated Version	Non-Heated Version	Height x Width	Rails	Watts/rail
TRH8-65	Use heated version	50 x 650mm	1 to 6	15 Watts
TRH8-90	Use heated version	50 x 900	1 to 6	24 Watts

NOTES

- This is a Low Voltage product - Safe to be installed in Zone 1 (wet areas)
- Transformer required - TRTR100-24V - Max 3 rails (Sold separately)
- Wire specifications: Use flexible multistrand 1mm² - Do not exceed 5 meters in length
-

STANDARD FINISHES

Mirror Polished

Stainless Steel

RRP

Brushed

Stainless Steel

+20% (Stocked)

Matt Black/White

Painted

+40% (Stocked)

Brushed / Polished

Raw Brass

+20% (Stocked)

Brushed Gold

PVD

+60% (Stocked)

SPECIFICATIONS

Voltage

24 Volts

Material

Brass

Finish

Mirror Polished

Ingress Protection

IPX5 (Suitable for wet areas)

Standards

AS/NZ 60335.2.43

Electrical Connection

Concealed Wiring only - any leg

Heating Method

Dry Internal Heating Element

Required / Sold Separately

Transformer (TRTR200-24V)

DEVELOPED IN
AUSTRALIA

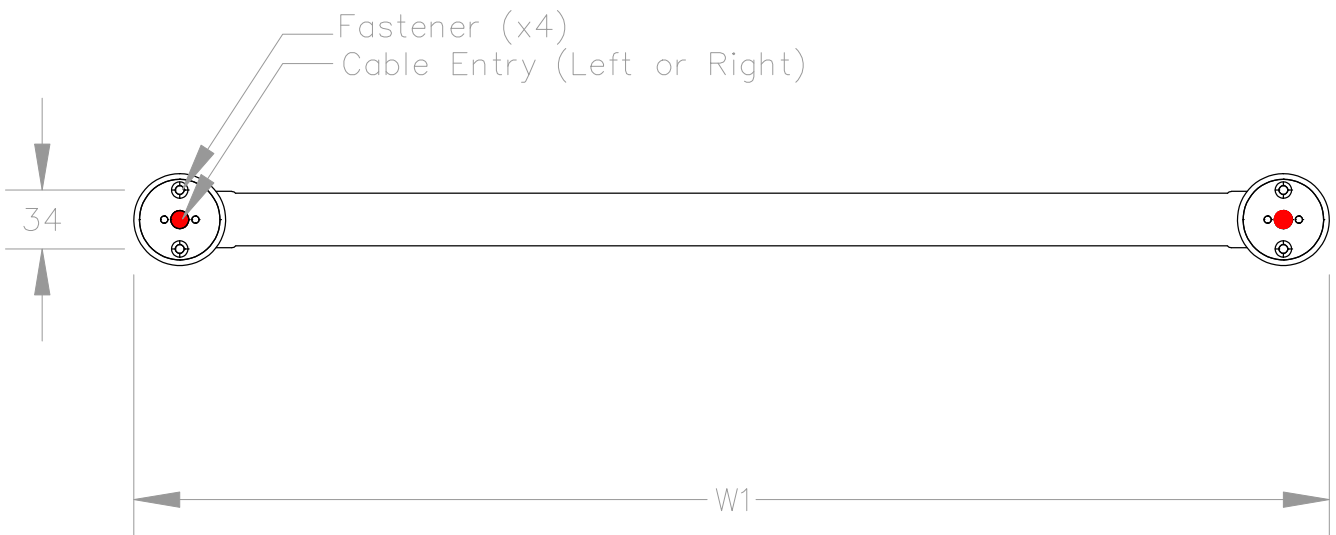
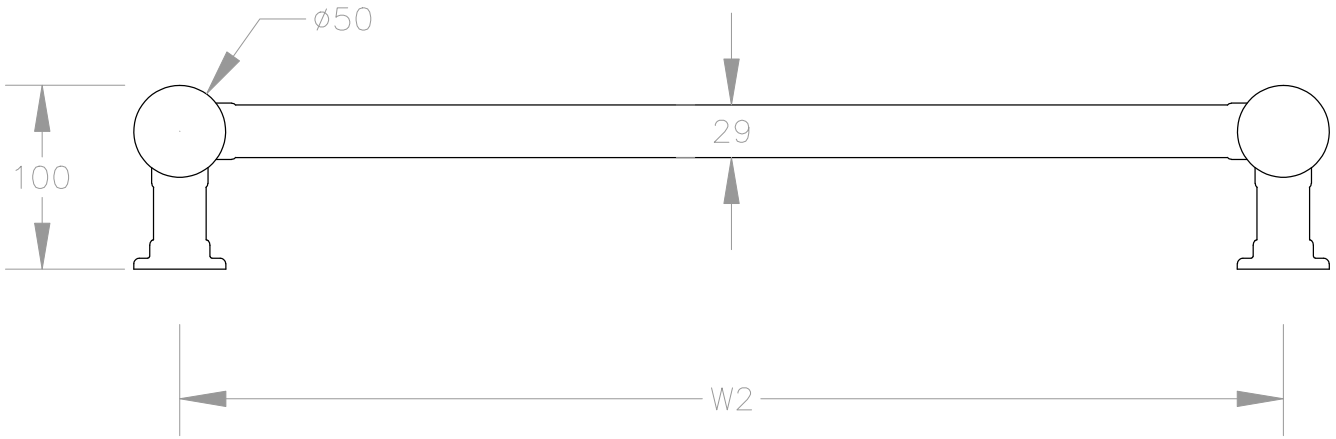


HEATING TIME
30 MINUTES



WARRANTY
10 YEAR





VARIATIONS

Heated Version	H1	W1 (Overall)	W2 (Fixings)
TRH8-65	50mm	650mm	600mm
TRH8-90	50mm	900mm	850mm