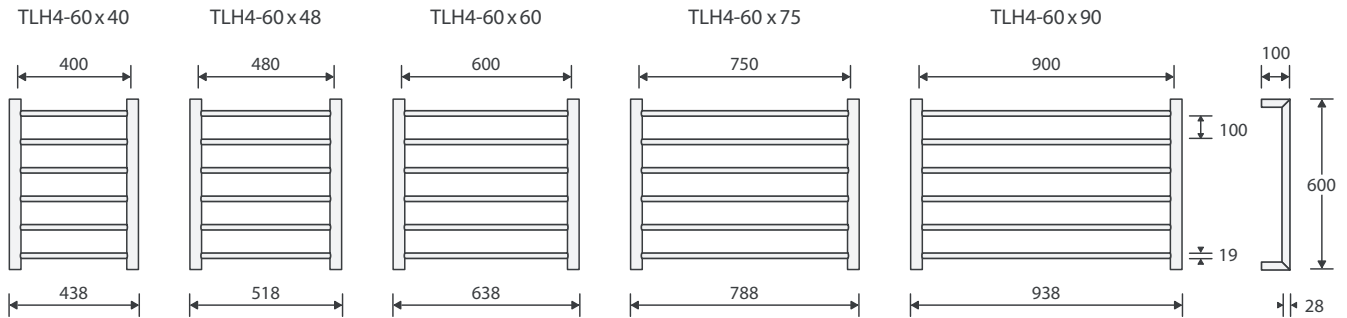


Base 6

Heated & Non-Heated Towel Rails

DETAILED DIMENSIONS



VARIATIONS

Heated Version	Non-Heated Version	Height x Width	Rails	Wattage
TLH4-60x40	TLN4-60x40	600 x 438 mm	6	45 Watts
TLH4-60x48	TLN4-60x48	600 x 518 mm	6	50 Watts
TLH4-60x60	TLN4-60x60	600 x 638 mm	6	65 Watts
TLH4-60x75	TLN4-60x75	600 x 788 mm	6	90 Watts
TLH4-60x90	TLN4-60x90	600 x 938 mm	6	90 Watts

STANDARD FINISHES

Mirror Polished

Stainless Steel

RRP

Brushed

Stainless Steel

+20%**

Matt Black

Powder coated

+40%**

Matt White

Powder coated




+40%**

Electroplated *

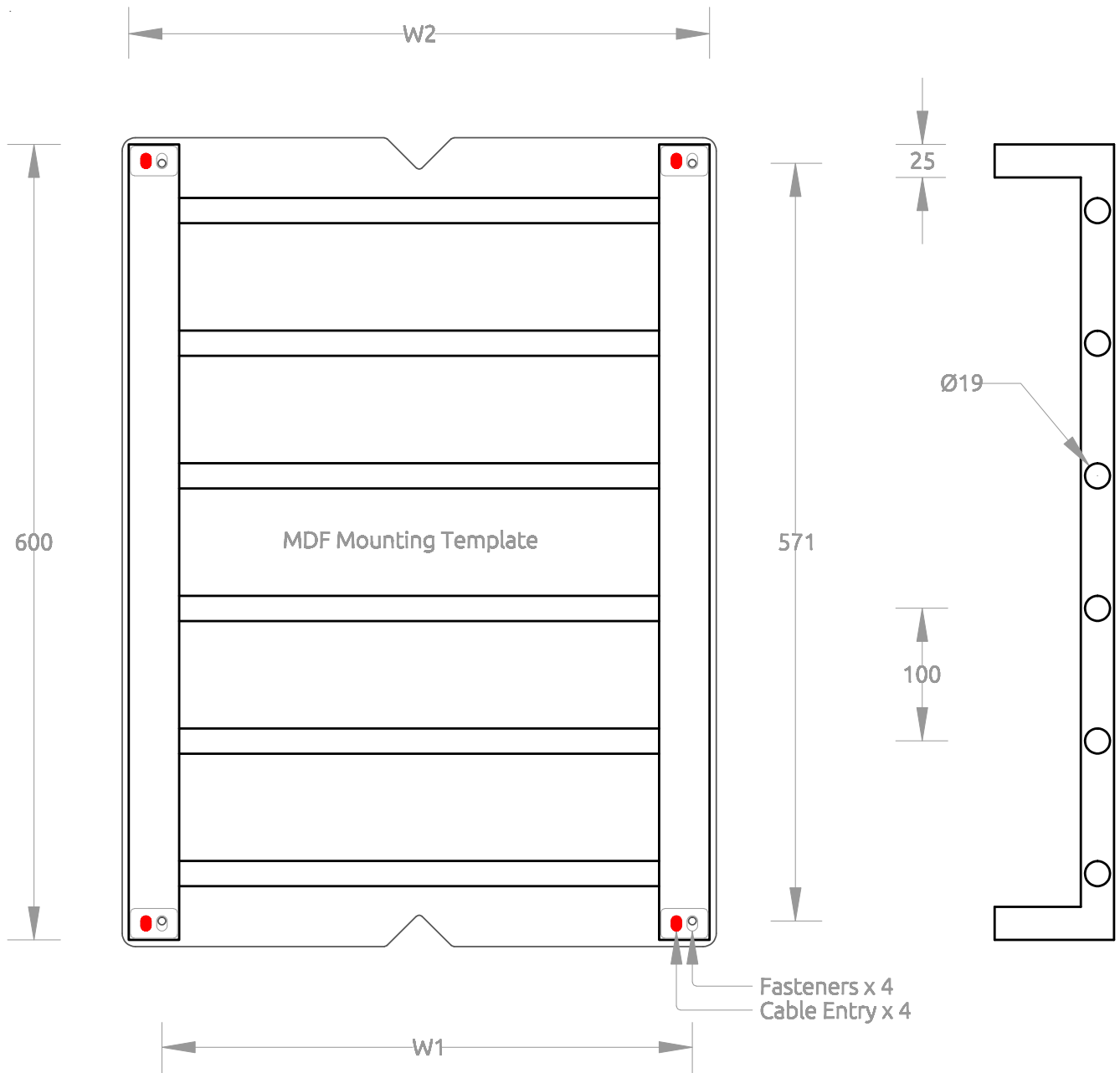
e.g. Graphite

+60% (Made to Order)

SPECIFICATIONS

<p>Voltage 240VAC / 50Hz</p>	<p>Standards AS/NZ 60335.2.43</p>	<p>MADE IN AUSTRALIA</p> 
<p>Material Stainless Steel 304</p>	<p>Electrical Connection Concealed Wiring or Plug-in - any leg (No In-Wall Kit required)</p>	<p>HEATING TIME 30 MINUTES</p> 
<p>Finish Mirror Polished</p>	<p>Heating Method Dry Internal Heating Element</p>	<p>WARRANTY 10 YEAR</p> 
<p>IP Rating IPX5</p>	<p>Non-Heated version available</p>	

* For electroplated finishes, please enquire (POA) ** Calculated on heated version



VARIATIONS

Heated Version	Non-Heated Version	W1 (Fixings)	W2 (Overall)
TLH4-60x40	TLN4-60x40	400mm	438mm
TLH4-60x48	TLN4-60x48	480mm	518mm
TLH4-60x60	TLN4-60x60	600mm	638mm
TLH4-60x75	TLN4-60x75	750mm	788mm
TLH4-60x90	TLN4-60x90	900mm	938mm