

Installation Guide

Towel Ladders – Heated (Concealed Wiring)

Models: Form, Fluid, Base, Econ, Abask, Brio

Version: 6.05 (AS/NZS 60335.2.4)

avenir®

F U T U R E D E S I G N

OVERVIEW

Thank you for choosing AVENIR Bathroom Accessories and for supporting a 100% Australian designed and manufactured product. AVENIR heated towel ladders are designed to suit stud walls with tiles or masonry walls. Non-masonry walls with no tiles will require a timber substrate directly behind each point where the ladder is fixed to the wall. In this case follow the procedure below, with the exception that no wall plugs are required.

SAFETY

This appliance is not intended for use by persons (including children) with reduced physical, sensory or mental capabilities, or lack of experience and knowledge, unless they have been given supervision or instruction concerning use of the appliance by a person responsible for their safety. Children should be supervised to ensure they do not play with the appliance. This appliance is rated IPX5 and can be installed zones 1, 2 or 3 in the bathroom.

WARNING: For safety protection, this electrical appliance relies on the earth being connected to a residual current device. Please ensure this device is installed, connected and working. In order to avoid hazards for young children, this appliance should be installed so that the lowest rail is at least 600mm above the floor.

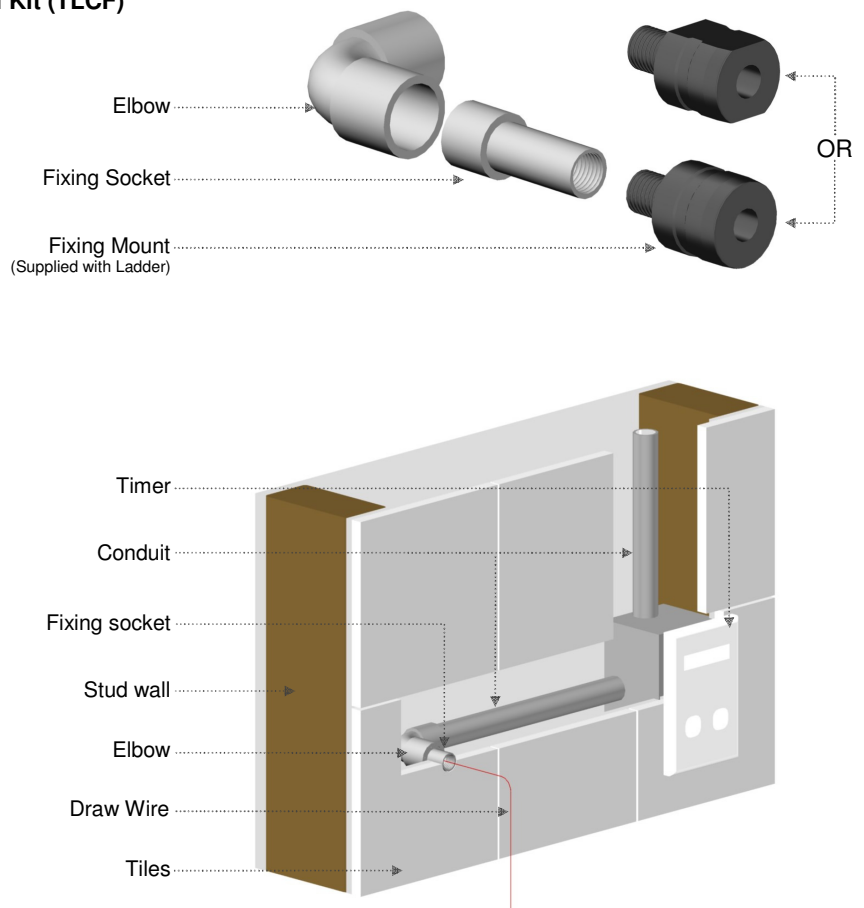
ELECTRICAL

This appliance must be installed, serviced and maintained by a qualified electrician and **MUST be earthed**. An isolating switch/timer should be installed by the electrician, in a position near the heated towel ladder. The heated towel ladder will include two meters of electrical cable. The location of the isolation switch/timer must be within this distance from the cable entry position of the heated towel ladder (through the bottom left or right leg - as selected at the time of purchase). The length of the heated towel ladder cable may be extended by the electrician in accordance with the appropriate wiring regulations.

PRE INSTALLATION REQUIREMENTS – In-Wall Kit (TLCF)

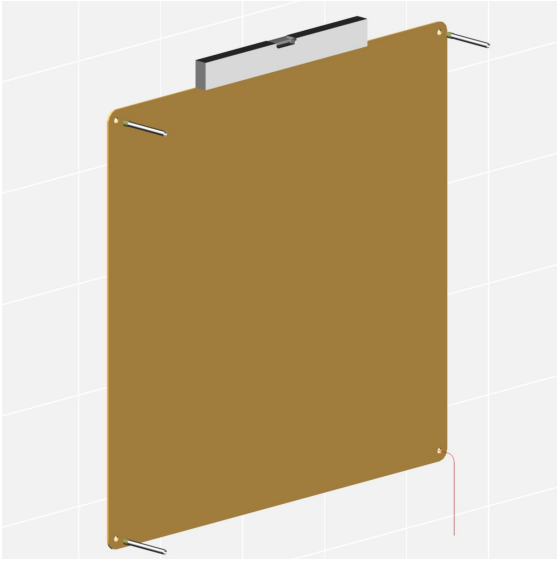
- Provision must be made for an isolating switch box and timer with a 20mm conduit to the heated towel ladder location. The distance between the two should be less than 2 meters.
- Install the supplied elbow and fixing socket behind the wall surface with the fixing socket protruding through the wall surface. The wall lining (and tiles) will require a 16mm hole to accommodate the fixing socket. Please note the fixing socket is made from PVC and can be glued into the elbow using standard PVC pipe cement.
- Provision must be made for a draw wire from the isolating switch box, through the 20mm conduit and elbow and should exit the wall through the fixing socket. This will be used later to draw the 2-meter wire, supplied as part of the heated towel ladder, through to the isolating switch box and timer.
- For masonry wall installation, provision must be made for a cavity in the masonry to accommodate the in-wall structure as described above.

IN-WALL KIT PARTS

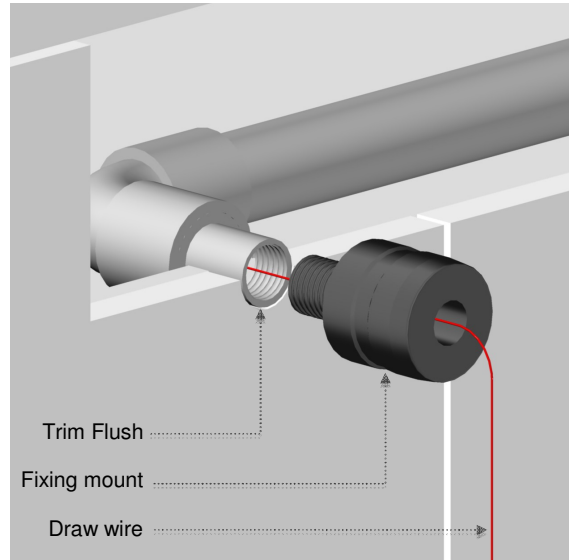


INSTALLATION PROCEDURE – HEATED TOWEL LADDERS

Drill holes using MDF drilling fixture

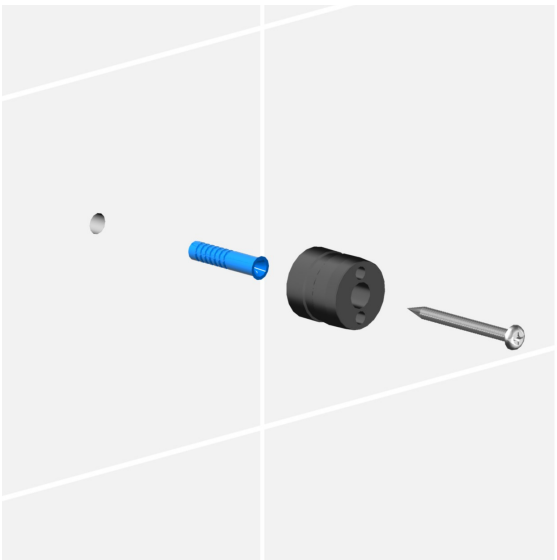


Fix the mounting template to the wall



- Using the supplied double-sided tape, fix the MDF drilling fixture (template) squarely to wall.
- Drill 3 x 8mm holes using an 8mm drill bit and the supplied drilling fixture as a guide.
- Trim the fixing socket flush with the wall surface using a sharp blade.
- Feed the draw wire through the fixing screw. Use an adjustable spanner to screw the fixing into the fixing socket in the wall. Take care not to over tighten.

Fix the mounting components to the wall



Electrical connection



- Use an 8mm masonry bit to drill the holes to the depth of 40mm.
- Insert the wall plugs and screw the mounting components to the wall.
- Using the draw wire, pull the 2 meter heated towel ladder cable through to the isolating switch box.
- Fit the heated towel ladder onto the mounting components and fasten the grub screws using the supplied allen key.
- Connect the electrical cable to the isolating switch and timer and apply electrical power. Allow 30 to 60 minutes to allow rail to reach maximum temperature.

PLEASE TAKE NOTE: For prolonged element life and energy conservation, heated towel ladders should be connected to a timer, set to 25% usage or less.