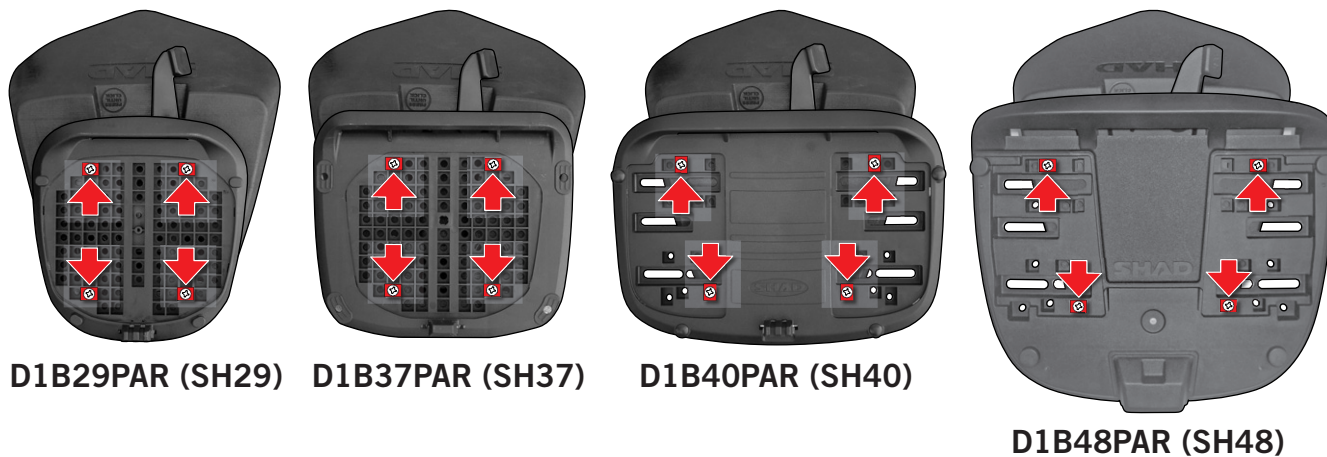
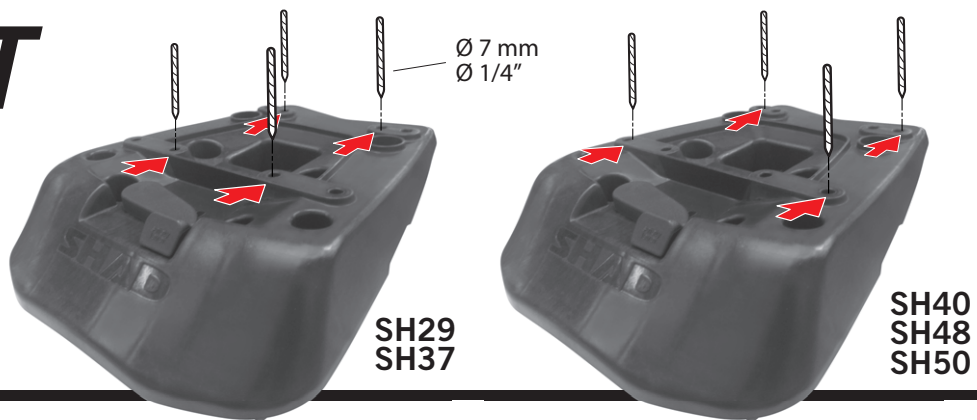


SPORT RACK

1







D1B29PAR (SH29)

D1B37PAR (SH37)





D1B40PAR (SH40)

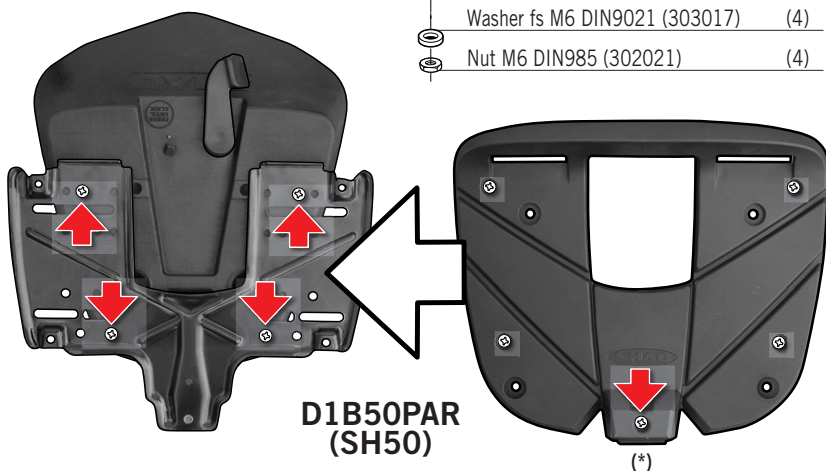
D1B48PAR (SH48)

PARTS SH29 / SH37 / SH40 / SH48

	Screw M6 x 35 DIN965 (304150)	(4)
	Plastic piece (200713/2)	(4)
	Case support SH29/SH37/SH40/SH48	
	Washer fs M6 DIN9021 (303017)	(4)
	Nut M6 DIN985 (302021)	(4)

PARTS SH50




	Screw M6 x 20 DIN912 (304076)	(4)
	Washer fs M6 DIN9021 (303017)	(4)
	Metal case support SH50	
	Washer fs M6 DIN9021 (303017)	(4)
	Nut M6 DIN985 (302021)	(4)



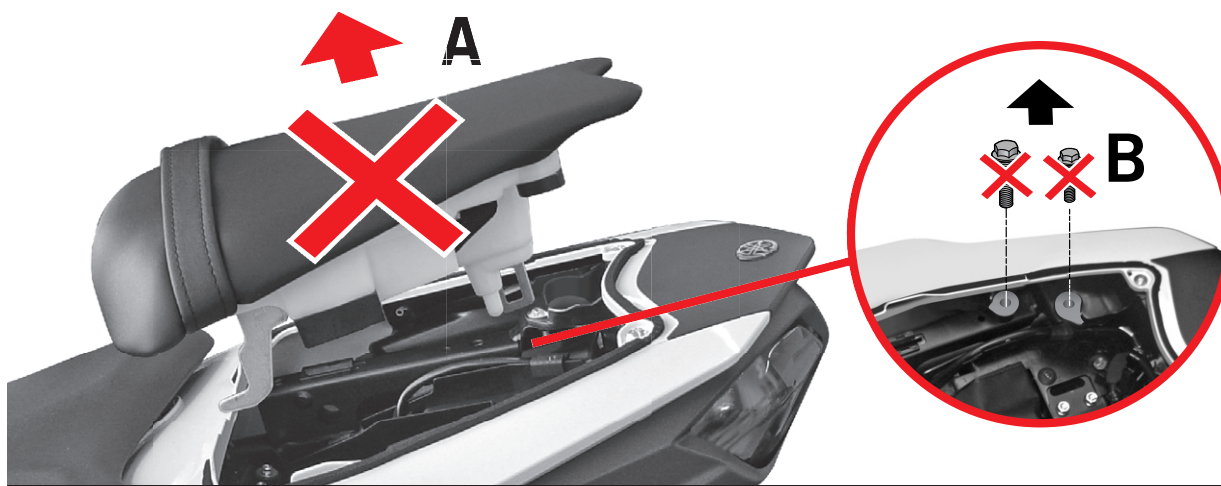
D1B50PAR (SH50)

(*)

PARTS SH50 (*)

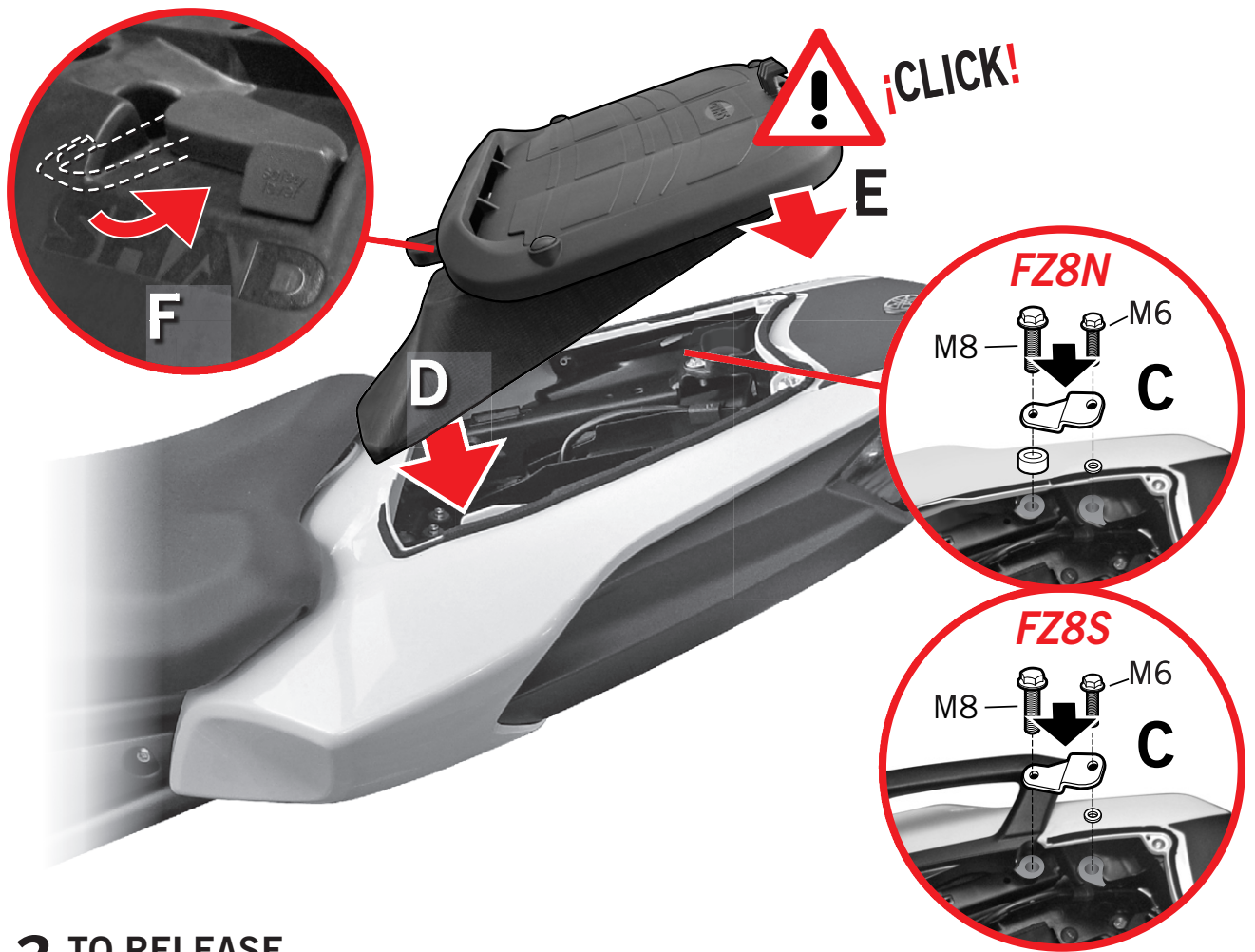
	Screw M6 x 35 DIN7380 (304037)	(1)
	Washer fs M6 DIN125A (303000)	(1)
	Case support SH50	
	Nut M6 DIN985 (302021)	(1)

2 TO PLACE



SPORT RACK YAMAHA FZ8 (2010)
Y0FZ80CL

SHAD



3 TO RELEASE

