

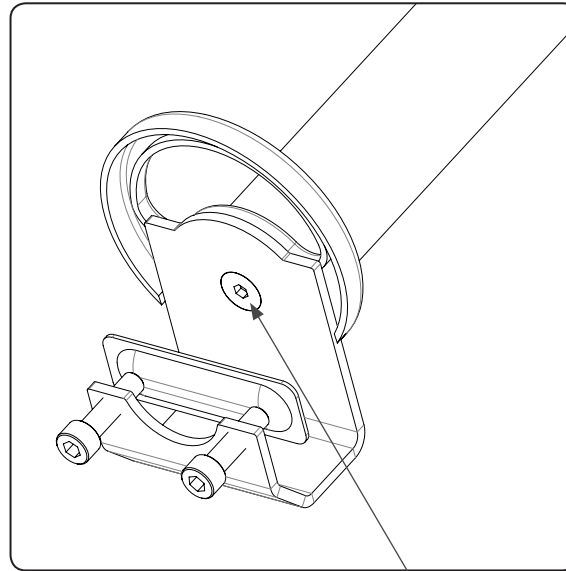
MOVI

STANDING DESK

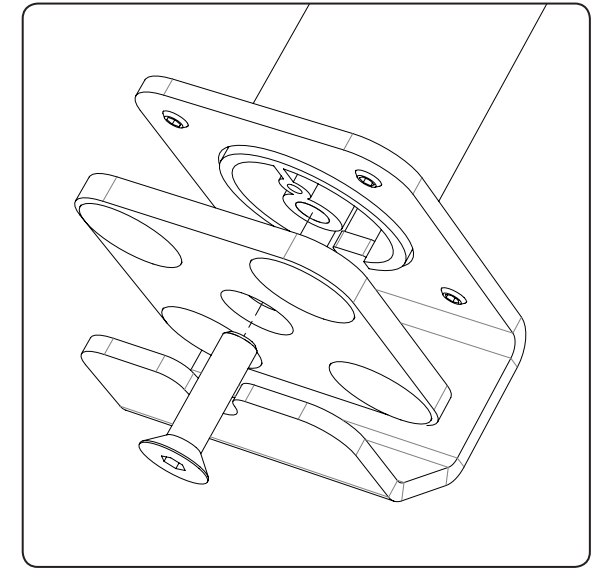
Welcome to the MOVI monitor adapter bracket. Designed to allow your existing monitor pole to fit your MOVI workstation.

Designed for approved single monitor poles.

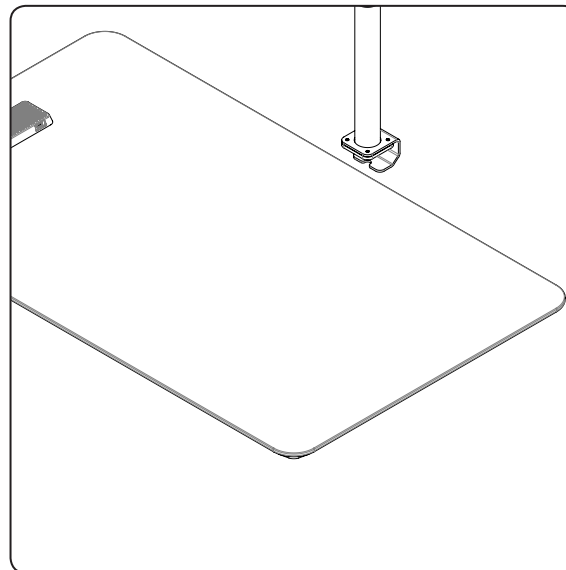
moviworkspace.com



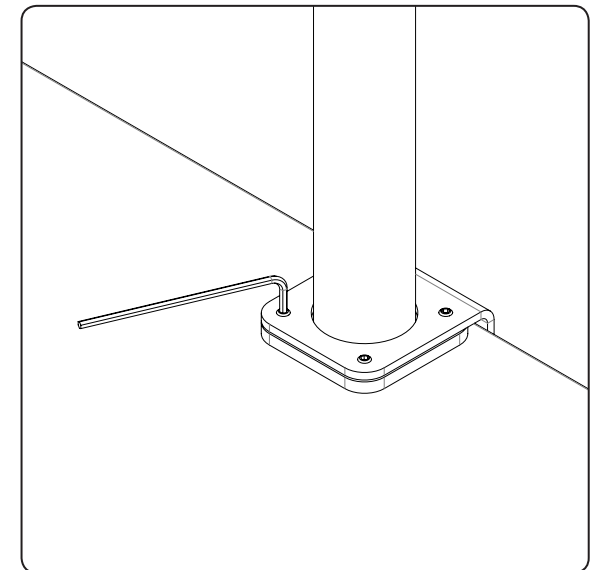
1. Remove post from CME assembly by removing screw in base of post. Keep screw for re-use in step.



2. Bolt in the MOVI adapter kit to the CME post



3. Slide assembly onto the rear edge of desk, centering the monitor to your workspace



4. Tighten 4x screws - starting with the 2 at rear - with provided hex key clamping the monitor bracket onto your MOVI workstation.