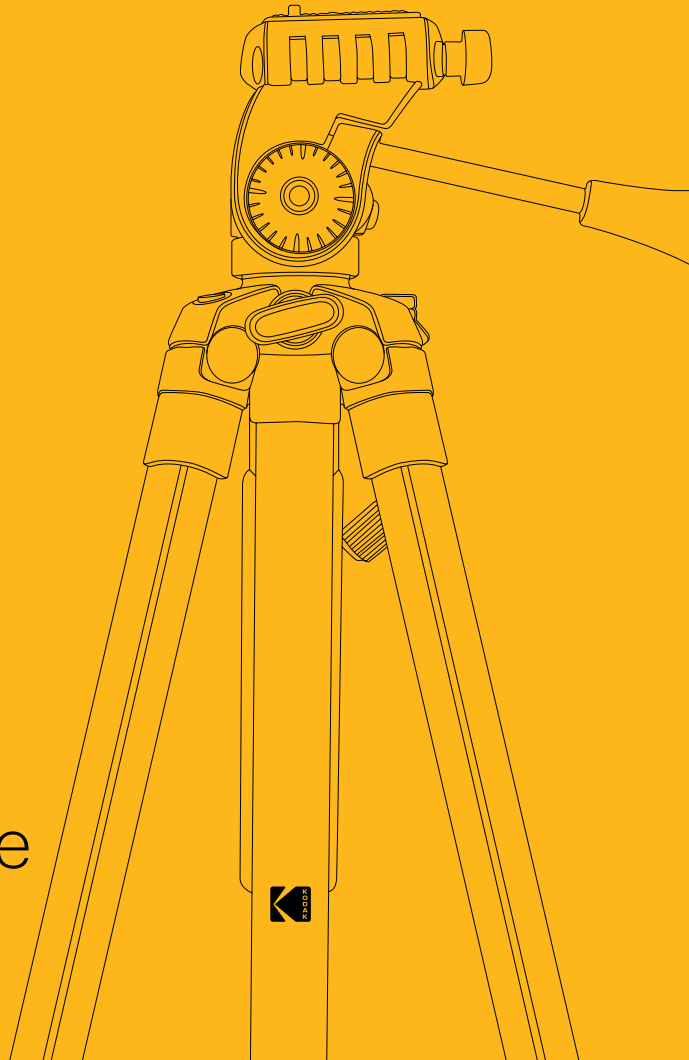




# KODAK PHOTO GEAR

TRIPOD  
62" / 157.5 cm



User Guide

# TABLE OF CONTENTS

1	INTRODUCTION	1
2	SAFETY PRECAUTIONS	1
3	PACKAGE CONTENTS	2
4	ABOUT THE KODAK 62" / 157.5 CM TRIPOD	2
5	PRODUCT OVERVIEW	3-8
6	TECHNICAL SPECIFICATIONS	9
7	WARRANTY INFORMATION	9-10
8	GET IN TOUCH	10

TO SEE THIS GUIDE IN FRENCH, ITALIAN,  
GERMAN, OR SPANISH, PLEASE VISIT

**[WWW.KODAKPHOTOPLUS.COM](http://WWW.KODAKPHOTOPLUS.COM)**

OR USE THIS QR CODE:



Um diese Anleitung auf Französisch, Italienisch, Deutsch oder Spanisch zu lesen, besuchen Sie bitte [www.kodakphotoplus.com](http://www.kodakphotoplus.com) oder nutzen Sie diesen QR-Code. | Per visualizzare questa guida in francese, italiano, tedesco o spagnolo, si prega di visitare [www.kodakphotoplus.com](http://www.kodakphotoplus.com), oppure di usare questo codice QR. | Para ver esta guía en francés, italiano, alemán o español, por favor, visite [www.kodakphotoplus.com](http://www.kodakphotoplus.com) o use este código QR. | Pour consulter ce guide en anglais, en italien, en allemand ou en espagnol, veuillez aller sur le site [www.kodakphotoplus.com](http://www.kodakphotoplus.com) ou utiliser ce code QR.

# INTRODUCTION

Thank you for purchasing the KODAK 62" / 157.5 cm Tripod. This User Guide is intended to provide you with guidelines to ensure that operation of this product is safe and does not pose risk to the user. Any use that does not conform to the guidelines described in this User Guide may void the limited warranty.

Please read all directions before using the product and retain this guide for reference. This product is intended for household use only. It is not intended for commercial use.

This product is covered by a limited one-year warranty. Coverage is subject to limits and exclusions. See warranty for details.

## SAFETY PRECAUTIONS

1. **WARNING: CHOKING HAZARD** – Small parts. This product contains small parts and is not suitable for children under 3 years old.
2. Remove all packaging before using this device. Please keep all packaging materials out of reach of children and pets.
3. Properly dispose of all packing materials immediately after unpacking product, as the bags used for packaging could present a suffocation or choking hazard.
4. Read all instructions carefully before attempting to operate this device. Improper usage could result in a reduction in efficacy.
5. Please take care when extending and folding this unit to avoid damage through rough handling.
6. Ensure that all knobs, latches, and levers are in their fully locked positions before using this unit with a camera.
7. Do not attempt to move this unit while the camera is attached. First, take the camera off, then move the unit before replacing the camera.
8. Do not attempt to oil or lubricate any of the parts of the tripod. Doing so may cause damage and void the warranty.
9. Do not store this unit in environments with high temperatures.
10. Do not use during lightning storms.
11. Do not sit or ride on the tripod or allow others to do so, as this may cause injuries as well as damage to the product.
12. Do not use harsh chemicals for cleaning this product; use only a mild detergent and soft cloth, and dry well before storing.

## PACKAGE CONTENTS

- 62" / 157.5 cm Tripod
- Quick-Release Plate
- Smartphone Adapter
- 1/4" to 3/8" (0.6 cm to 0.95 cm) Screw Adapter
- Carry Case
- Access to free KODAK Tripod/Monopod E-Guide
- User Guide

SCAN THE QR CODE BELOW WITH  
YOUR SMARTPHONE TO DOWNLOAD THE  
**FREE KODAK TRIPOD/MONOPOD E-GUIDE!**

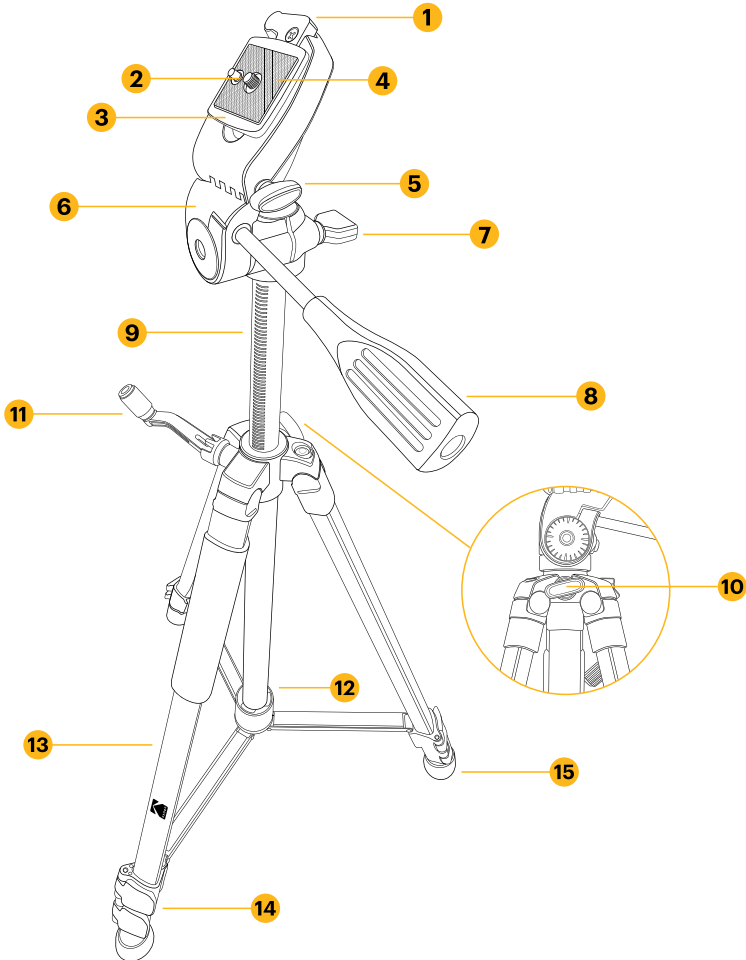


## ABOUT THE KODAK 62" / 157.5 CM TRIPOD

- Robust and versatile tripod for a variety of applications
- Tripod has fully adjustable 3-section legs
- 1/4" to 3/8" (0.6 cm to 0.95 cm) screw adapter and quick-release plate included for ease of use
- 3-way swivel head allows camera to tilt freely to capture stunning images
- Telescoping, fliplock leg locking system allows for a wide range of heights
- Sturdy, lightweight construction keeps your camera secure
- Rubberized swivel feet keep the tripod safely in place
- Geared center column for easy height adjustment
- Locking aluminum center spreader included for maximum stability

# PRODUCT OVERVIEW

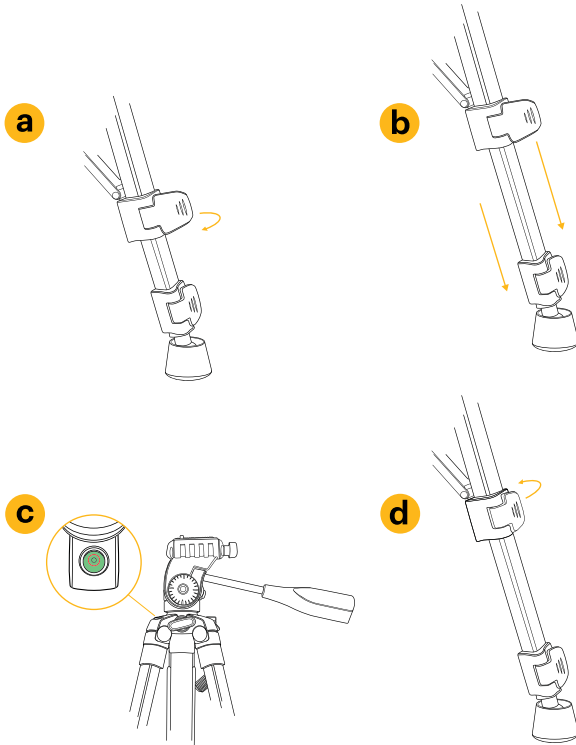
1. Quick-release lever
2. 1/4" (0.6 cm) mount screw
3. Quick-release plate
4. Non-slip rubber camera mount platform
5. Camera mount platform tilt knob
6. 3-way swivel head
7. 3-way swivel head pan locking knob
8. 3-way swivel head tilt lock handle
9. Center column
10. Center column locking knob
11. Center column height adjustment crank
12. Center spreader locking ring
13. 3-section leg
14. Leg fliplock
15. Non-slip rubberized foot



## PRODUCT OVERVIEW (CONTINUED)

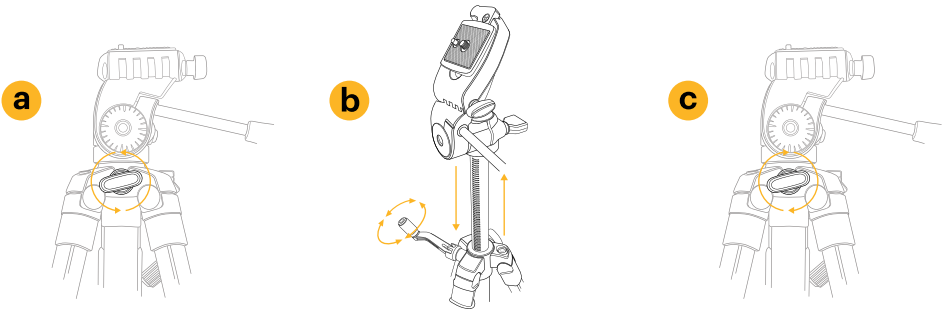
### 1. Adjustable Legs

- Unlatch the leg locks at the bottom of the leg.
- Pull out the sections of the leg until you reach your desired length.
- Use the built-in level to ensure the tripod is positioned properly.
- Re-latch the locks once you have the legs configured as you wish.



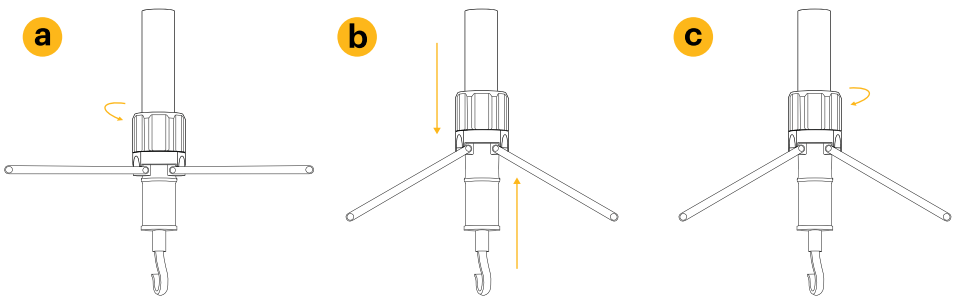
## 2. Upper Center Column

- To adjust the height of the center column, turn the center column locking knob left to unlock.
- Use the center column height adjustment crank to extend the center column to your desired height.
- Turn the center column locking knob right to lock.



## 3. Center Spreader

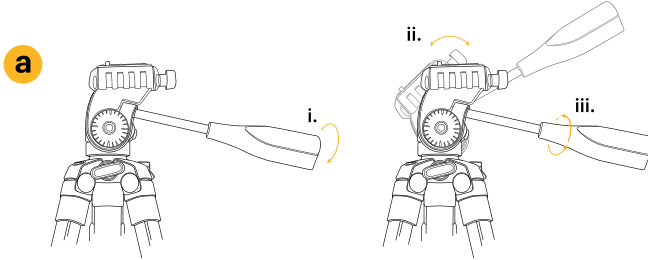
- To adjust the center spreader on the center column, loosen the center spreader locking ring by twisting it to the left.
- Adjust as desired.
- Once the center spreader is in position, tighten the center spreader ring by twisting it to the right.



#### 4. 3-Way Swivel Pan Head

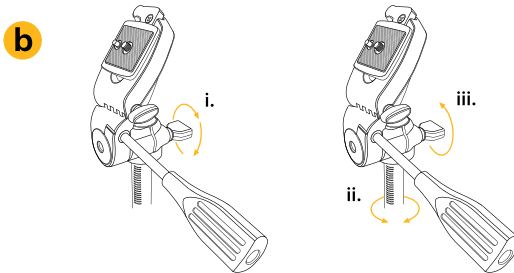
a. **1-Way** - To adjust the vertical tilt of the camera mount plate:

- i. Loosen the vertical tilt handle.
- ii. Adjust to the desired angle.
- iii. Tighten the vertical tilt knob.



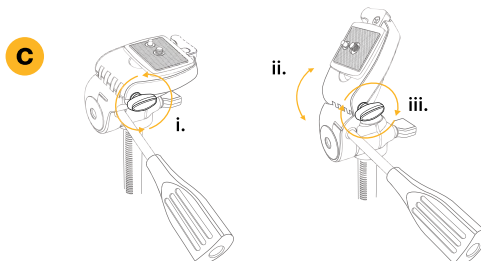
b. **2-Way** - To adjust the horizontal pan of the camera mount plate:

- i. Loosen the horizontal pan knob.
- ii. Adjust to the desired angle.
- iii. Tighten the horizontal pan knob.



c. **3-Way** - To adjust the tilt of the camera mount platform:

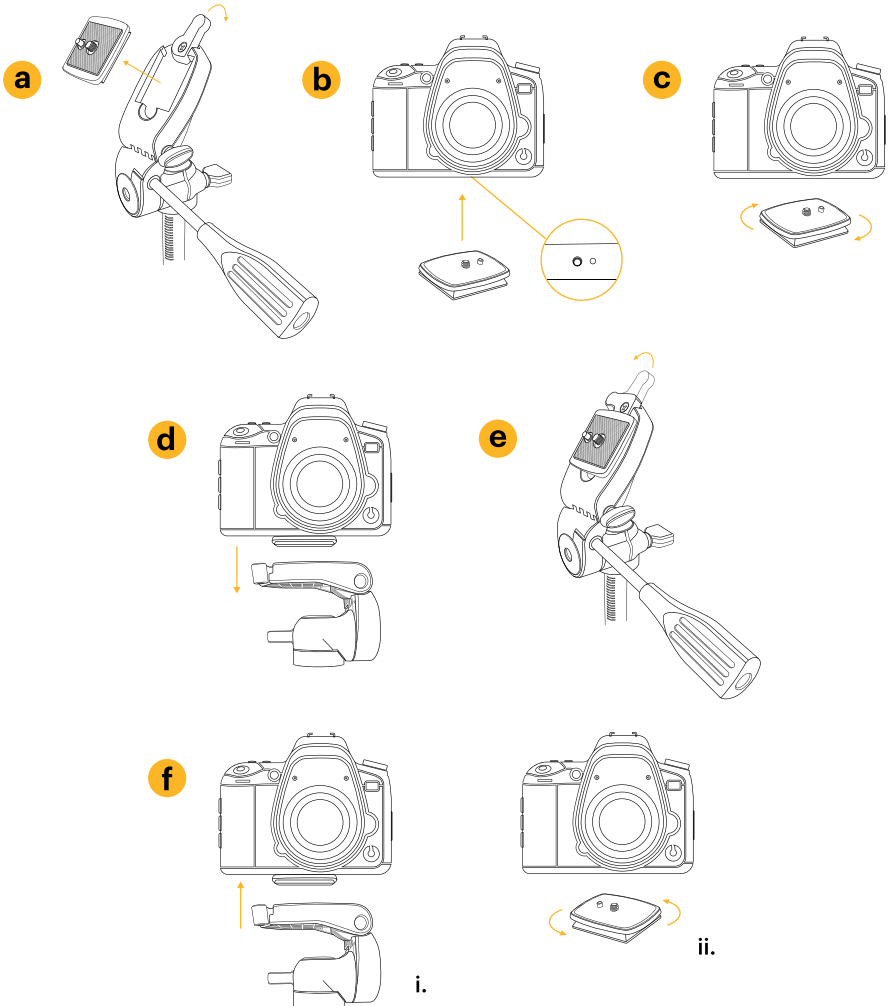
- i. Loosen the camera mount platform tilt knob.
- ii. Adjust the platform to the desired angle.
- iii. Tighten the camera mount platform tilt knob.





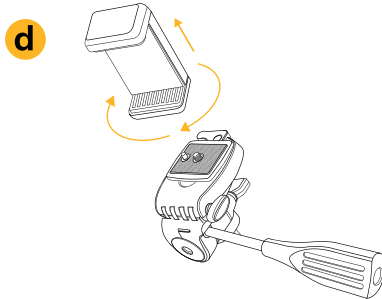
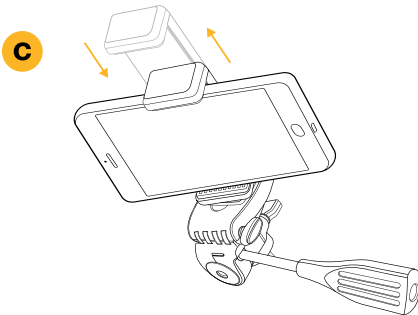
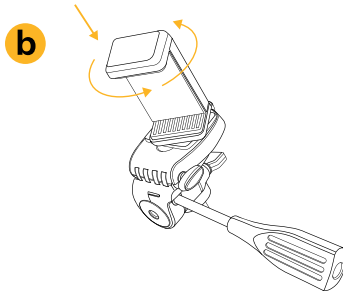
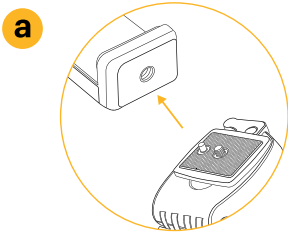
## 5. Mounting a Camera

- a. Pull the quick-release lever on the side of the head to release the plate.
- b. Align the screw adapter with the corresponding threading on your camera.
- c. Holding the camera in one hand, rotate the D-ring on the bottom of the plate until it is securely attached to the camera.
- d. Place the camera mount plate back into position.
- e. Push the quick-release lever back into the locked position.
- f. To remove your camera:
  - i. Remove the quick-release plate.
  - ii. Unscrew the plate from the camera.



## 6. Mounting a Smartphone

- a. Align the screw adapter with the corresponding threading on the smartphone adapter.
- b. Holding the smartphone adapter in one hand, turn the thumb wheel to the right until it is securely attached to the adapter.
- c. You may now pull up on the smartphone adapter clamp and insert your smartphone in landscape mode.
- d. To remove the smartphone adapter, hold it in one hand and turn the thumb wheel to the left until it is no longer attached.



# TECHNICAL SPECIFICATIONS

**Materials:** Aluminum / Nylon / Fibre

**Maximum Height:** 62" (157.5 cm)

**Minimum Height:** 22" (56 cm)

**Folded Length:** 23" (58 cm)

**Weight Capacity:** 8.8 lbs. (4 kg)

**Tripod Weight:** 2.8 lbs. (1.3 kg)

# WARRANTY INFORMATION

## LIMITED WARRANTY ON KODAK 62" / 157.5 CM TRIPOD

**THIS LIMITED WARRANTY GIVES YOU SPECIFIC LEGAL RIGHTS AND YOU MAY ALSO HAVE OTHER RIGHTS, WHICH VARY FROM STATE TO STATE.**

**WE WARRANT THAT DURING THE WARRANTY PERIOD, THE PRODUCT WILL BE FREE FROM DEFECTS IN MATERIALS AND WORKMANSHIP.**

## LIMITATION OF LIABILITY

**TO THE EXTENT NOT PROHIBITED BY LAW, THIS WARRANTY IS EXCLUSIVE AND IN LIEU OF ALL OTHER WARRANTIES, ORAL, WRITTEN, STATUTORY, EXPRESS OR IMPLIED. EXCEPT FOR THE EXPRESS WARRANTIES CONTAINED IN THIS LIMITED WARRANTY STATEMENT AND TO THE EXTENT NOT PROHIBITED BY LAW, WE DISCLAIM ALL OTHER WARRANTIES, EXPRESSED OR IMPLIED, STATUTORY OR OTHERWISE, INCLUDING WITHOUT LIMITATION, THE WARRANTIES OF MERCHANTABILITY AND FITNESS FOR A PARTICULAR PURPOSE. SOME STATES DO NOT ALLOW DISCLAIMERS OF IMPLIED WARRANTIES, SO THIS DISCLAIMER MAY NOT APPLY TO YOU. TO THE EXTENT SUCH WARRANTIES CANNOT BE DISCLAIMED UNDER THE LAWS OF YOUR JURISDICTION, WE LIMIT THE DURATION AND REMEDIES OF SUCH WARRANTIES TO THE DURATION OF THIS EXPRESS LIMITED WARRANTY.**

**OUR RESPONSIBILITY FOR DEFECTIVE GOODS IS LIMITED TO REPAIR, REPLACEMENT OR REFUND AS DESCRIBED BELOW IN THIS WARRANTY STATEMENT.**

**WHO MAY USE THIS WARRANTY?** C&A Marketing, Inc. located at 114 Tived Lane East, Edison, NJ ("we") extend this limited warranty only to the consumer who originally purchased the product ("you"). It does not extend to any subsequent owner or other transferee of the product.

**WHAT DOES THIS WARRANTY COVER?** This limited warranty covers defects in materials and workmanship of the KODAK 62" / 157.5 cm Tripod (the "product") for the Warranty Period as defined below.

**WHAT DOES THIS WARRANTY NOT COVER?** This limited warranty does not cover any damage due to: (a) transportation; (b) storage; (c) improper use; (d) failure to follow the product instructions or to perform any preventive maintenance; (e) modifications; (f) unauthorized repair; (g) normal wear and tear; or (h) external causes such as accidents, abuse, or other actions or events beyond our reasonable control.

**WHAT IS THE PERIOD OF COVERAGE?** This limited warranty starts on the date of your purchase and lasts for one year (the “Warranty Period”). The Warranty Period is not extended if we repair or replace the product. We may change the availability of this limited warranty at our discretion, but any changes will not be retroactive.

**WHAT ARE YOUR REMEDIES UNDER THIS WARRANTY?** With respect to any defective product during the Warranty Period, we will, at our sole discretion, either: (a) repair or replace such product (or the defective part) free of charge or (b) refund the purchase price of such product if an exchange unit cannot be provided.

**HOW DO YOU OBTAIN WARRANTY SERVICE?** To obtain warranty service, you must contact us at **844-516-1539** or by email at **kodak@camarketing.com** during the Warranty Period to obtain a Defective Merchandise Authorization (“DMA”) number. No warranty service will be provided without a DMA number and return shipping costs to our facilities shall be assumed by you, the purchaser. Shipping costs of the replacement unit to you shall be assumed by us.

## GET IN TOUCH

Should you experience any problems with your product, please contact us before returning the item to the place of purchase. We’re here to help!

U.S. Support:

**kodak@camarketing.com**

**844-516-1539**

International Support:

**kodakintl@camarketing.com**

**844-516-1540**



The Kodak trademark, logo and trade dress are used under license from Eastman Kodak Company.

All other products, brand names, company names, and logos are trademarks of their respective owners, used merely to identify their respective products, and are not meant to connote any sponsorship, endorsement or approval.

Distributed by C&A Marketing, Inc., 114 Tived Lane East, Edison, NJ 08837 USA.  
C+A Marketing c/o Partners in Logistics, 102 Shannon Free Zone, Shannon, Co. Clare V14 PH21, Ireland  
© 2020. C&A IP Holdings, LLC. All Rights Reserved. Made in China.