

KODAK SMILE +
DIGITAL INSTANT PRINT CAMERA



User Manual

4.5"H | 1.5"W | 3"D (11.4 cm | 3.8 cm | 7.6 cm)

Please read all directions before using the product and retain this guide for reference.

CONTENTS

1	INTRODUCTION	3
2	PARTS AND FUNCTIONS	3
3	USING YOUR CAMERA	4-7
4	CONNECTING TO THE APP	7-8
5	PHOTO TIPS	9
6	CARING FOR YOUR KODAK SMILE+ CAMERA	9
7	LED SCENARIOS	10
8	FAQS	10-11
9	WARNINGS AND SAFETY PRECAUTIONS	12
10	BATTERY CARE AND CHARGING	12-13
11	CUSTOMER SERVICE	13
12	FCC STATEMENTS	14
13	ELECTRONIC WASTE NOTICE	15
14	LIMITED WARRANTY	15-17

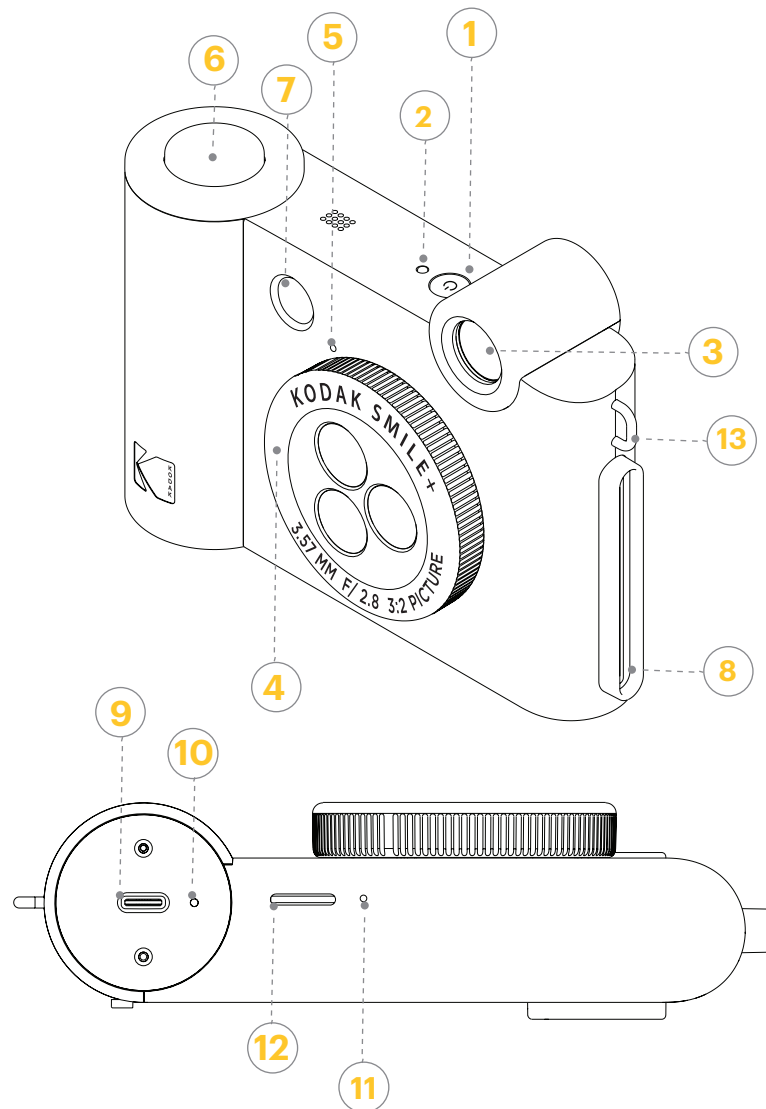
1. INTRODUCTION

Thank you for purchasing the Kodak Smile+ Digital Instant Camera. This User Guide is intended to provide you with guidelines to ensure that the operation of this product is safe and does not pose risks to the user. Any use that does not conform to the guidelines described in this User Guide may void the limited warranty.

This product is intended for household use only. This product is covered by a limited warranty and is subject to conditions and exclusions. See warranty for details.

2. PARTS AND FUNCTIONS

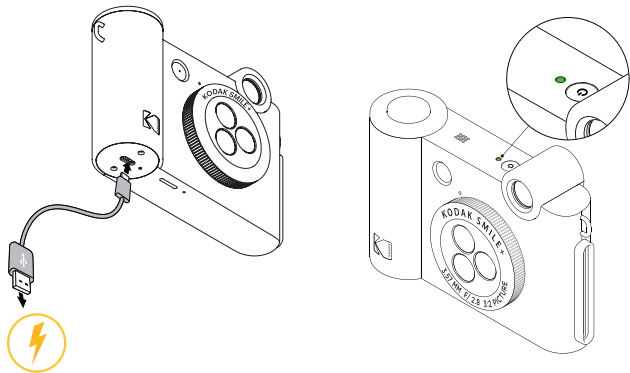
1. Power Button
2. LED Indicator
3. Viewfinder
4. Filter Changing Lens
5. Lens Alignment Dot
6. Shutter Button
7. Flash
8. Printing Slot
9. USB-C Port
10. Battery Indicator Light
11. Reset Button
12. MicroSD Card Slot
13. Strap Loop



3. USING YOUR CAMERA

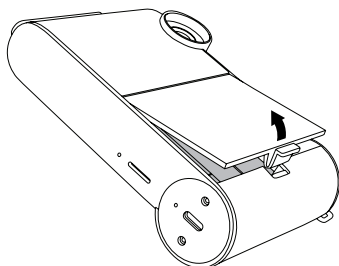
Getting Ready for Use

- Charge it first: Before you start using your new Kodak Smile+ camera, plug it in to charge using the included USB-C cable. Wait for the battery LED to turn solid green, indicating a full charge. Wait for battery indicator light to turn solid green, indicating a full charge.

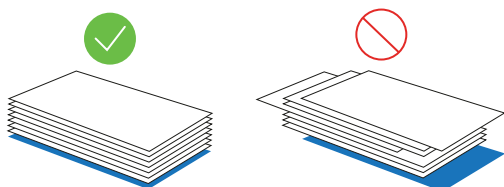


- Load your Zink paper into the camera: Follow the steps below to quickly and easily get your new camera loaded with Zink sticky-backed paper so you can start printing photos!

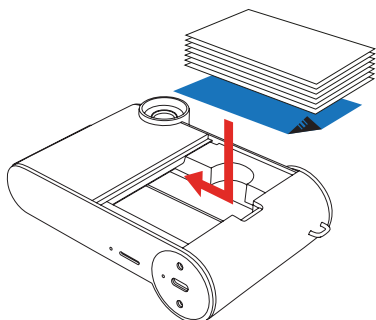
1. Open the camera door by lifting the tab on the back of the device.



2. Load the blue calibration sheet with the barcode facing down. Form a neatly aligned stack with the remaining plain sheets and place them on top, with the glossy side facing you. Try to avoid touching the glossy side so you don't get fingerprints on it.



3. Insert Zink paper stack into paper compartment.



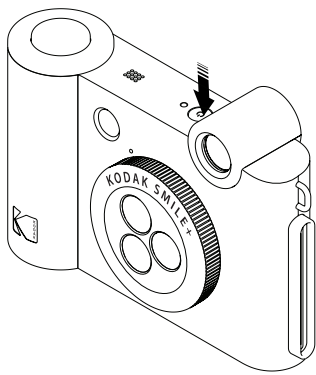
4. Close the camera door.
5. When you take your first photo after loading the Zink paper, the blue calibration sheet will take a few seconds to process, then slowly eject from the printing slot. Your photo will print after the calibration sheet finishes.
NOTE: Please make sure not to push the paper in too far or else the paper could jam or cause misprinting issues. Make sure the paper stack is neatly aligned with the barcode on the blue calibration sheet facing down.
NOTE: If the device fails to print, remove the paper, reload it properly, and try printing again.
6. Only load a single pack of 10 papers and the corresponding blue calibration sheet at once. The calibration sheet will be processed automatically at the start of each paper pack, calibrating the camera for that specific paper.
 - The camera has limited internal memory and can only store three photos at a time; a microSD™ card is necessary if you wish to edit and save more than three photos to print out later. The Smile+ can perform without a microSD™ card, but using one is strongly recommended.
NOTE: Photos can also be uploaded using the included USB-C cord.
 - Insert a microSD™ card into the corresponding slot on the bottom of the camera.
 - To remove, press the card in gently with your fingernail, and it should pop out. The Smile+ supports microSD™ cards up to 256GB.

Zink Photo Paper Paper Dos and Don'ts

- Do not add more paper until the paper compartment is completely empty.
- Do not fill the paper compartment with more than one 10-pack of Kodak Zink photo paper at a time. Filling over 10 sheets can damage the camera.
- Do not bend the Kodak Zink photo paper.
- Hold the paper by its edges. Avoid touching the surface with your fingers.
- If Zink photo paper is over-exposed to humidity, it may begin to bend, causing printing issues such as paper jams. To avoid this:
 - o When not in use, store your Zink photo paper in a cool, dry place, and avoid exposure to direct sunlight and heat.
 - o The ideal temperature at which to store Kodak Zink photo paper is between 32°F and 77°F (0°C and 25°C) and 40-60% relative humidity.
- If you inserted the wrong type of paper or if there is a paper jam or other related error, the LED indicators will blink red. Open your camera and correct the error (clear jam, replace paper, etc.) and then restart your camera.

Turning On

- Press the on/off button located on the top of the camera for three seconds. Make sure your camera is fully charged.



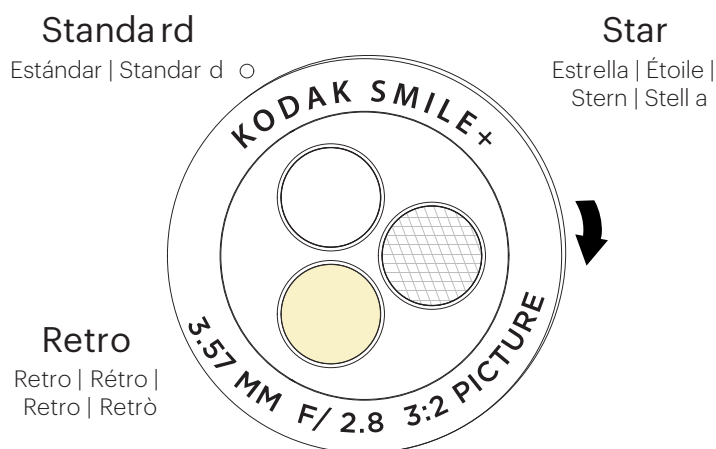
Turning Off

- Press and hold the power button to turn the camera off.

Understanding the Filter Lens

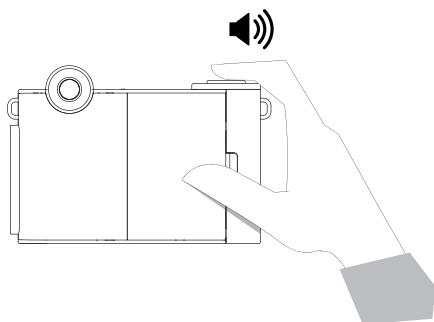
- Before taking a photo, turn the lens on the front of the camera to choose a special effect: Natural, Retro, or star. When your photo prints, the effect will automatically be applied.

When rotating the lens, make sure it clicks into place and lines up with the indicator dot to ensure clear photos.



Taking Photos

- Press the shutter button on the top right of the camera to take a photo until an alert sound is heard. Your camera will automatically focus and activate the flash depending on the lighting conditions for each photo.



Printing Photos

- Your Smile+ will automatically begin printing after a photo is taken.

- If you are taking your first photo after loading the Zink paper, the blue calibration sheet will be slowly ejected first. Your photo will print after the calibration sheet finishes.
- While the photo is processing, the LED light will blink quickly until the engine starts. Photos cannot be taken while the camera is processing.
- If you print multiple consecutive photos, the LED light will blink rapidly to indicate that the device needs time to cool down. Once the engine starts, the printer has finished cooling down and you may resume use. Photos cannot be taken while the camera is cooling down.

Transferring Files to Your Computer

- Via USB-C cable: Using the included USB-C cable, connect your Kodak Smile+ to a computer. Double click the memory card image when it appears on your computer desktop to view and save your images.
- Via microSD™ card: remove the microSD™ card as indicated above. Insert the card into your card reader.

What paper do I need to buy for my Kodak Smile+?

Make sure to buy Kodak 2x3 Zink photo paper for your Kodak Smile+! The paper is specially designed to work with your Kodak Smile+ camera. Only use Kodak 2x3 Zink photo paper with the Kodak Smile+. The Kodak 2x3 Zink photo paper comes with a blue calibration SMARTSHEET® with a barcode for color calibration.



KODAK ZINK PRE-CUT
Sticker Photo Paper (30 pack)
RODZ2X330C



KODAK ZINK 2"x3"
Photo Paper (20 pack)
RODZ2X320



KODAK ZINK 2"x3"
Photo Paper (50 pack)
RODZ2X350



KODAK ZINK 2"x3"
Photo Paper (100 pack)
RODZ2X3100

4. CONNECTING TO THE APP

Quickly and easily connect your Kodak Smile+ to the app to send photos to print straight from your mobile device. The Kodak Smile+ works without downloading anything, but the app provides a lot of fun features for your new camera and allows you to use your Smile + as a printer for photos already on your phone.

- The Kodak Smile App is supported by Android™ devices using OS v. 5.0.
- Compatible with iPhone XS Max, iPhone XS, iPhone XR, iPhone X, iPhone 8, iPhone 8 Plus, iPhone 7, iPhone 7 Plus, iPhone SE, iPhone 6S, iPhone 6S Plus, iPhone 6, iPhone 6 Plus, iPhone 5S, iPhone 5C, iPhone 5, iPad (6th generation), iPad Pro 12.9-inch (2nd generation), iPad Pro 12.9-inch (3rd generation), iPad Pro 11-inch, iPad Pro 10.5-inch, iPad (5th generation), iPad Pro 9.7-inch, iPad Pro 12.9-inch (1st generation), iPad Air 2, iPad Air, iPad mini 2, iPad mini 3, iPad mini 4, iPad (4th generation), iPod Touch (6th generation).

For Android™ and iPhone®

1. Download the Kodak Smile app from the Apple App Store® or the Google Play® store.
2. Make sure Bluetooth on your phone is enabled.
3. Open the Kodak Smile app from your phone and follow the instructions to pair your camera with the app.
4. If you have trouble connecting your camera from the app, try following these steps instead:
 - a. Access your phone's Bluetooth settings, usually found under the general Settings menu.
 - b. Make sure the printer is on first, and then allow your phone to scan for new devices.
 - c. You will see "Kodak Smile+ XX:XX" appear in the Bluetooth list. The X's will be replaced with specific letters and numbers which correspond to the last four numbers and letters on your camera mac address, which can be found on the camera rating label. Tap on it to start pairing.



- d. After a couple seconds, your phone should say "paired."



KODAK Smile App

To download the Kodak Smile app, scan the Apple or Android QR code below:



Printing Photos from Your Phone

Once you've downloaded and connected to the Kodak Smile app, printing photos from your phone is easy.

1. Make sure Bluetooth on your phone is enabled.
2. Open the Kodak Smile app.
3. Select the photo(s) you want to print from your photo gallery.
4. Personalize your photo with filters, stickers, and more.
5. Tap "Print."



5. PHOTO TIPS

1. To reset the camera, use a pin to press and hold the reset button on the bottom of the camera.
2. When using an SD card, photos can only be saved onto the SD card. You cannot print photos from the SD card.
3. The flash will automatically turn on when the camera senses the environment is dark.
4. Make sure not to cover the printing slot with your hand when a photo is printing.
5. Wait for your photo to finish printing before taking another photo.
6. If your Zink photo paper doesn't feed or the camera fails to print, lift the tab to remove the camera door and remove the paper. Form the paper into a neatly aligned stack, then reload and try printing again.
7. If your print has visible streaks, try running the blue calibration sheet again to clean the printer.

Improving Print Quality

If the quality of your printed photo is not as expected, try the following:

- **Run a Calibration Sheet** Run a blue calibration sheet through the printer.
- **Check The Photo Paper** Open the paper door and remove your Kodak Zink Photo Paper. Carefully wipe any dirty papers with a microfiber cloth and remove papers that are wrinkled, bent, or torn. Form the paper into a neatly aligned stack with the blue calibration sheet on bottom, barcode facing down.
- **Lighting** Make sure there is sufficient lighting when taking photos.

Printing Errors






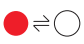



- **Paper Jams** Wait for the device to clear the paper jam itself. If it doesn't go away, manually pull out the paper and clean out the feeder.
- **Paper Feeding Failure** Remove and reload your Zink photo paper and check the quality. If the paper is very curled, try loading less paper at a time. When reloading paper, form a neatly aligned stack with the blue calibration sheet on bottom, barcode facing down.
- **Cooling Down** When printing many consecutive photos, the LED indicator will blink white rapidly. Allow the device to cool down, and printing will automatically resume.

6. CARING FOR YOUR KODAK SMILE+ CAMERA

- Remove fingerprints, dust, and dirt from the device using a dry microfiber cloth.
- Keep the cover on the camera on when not in use to prevent dust and debris from entering the paper path slot.
- Update the camera firmware. Make sure your mobile device is connected to the internet and then open the Kodak Smile app. Turn on the printer and connect it to the Kodak Smile app. If there is a firmware update available, a firmware update screen will display. Follow the on-screen prompts to complete the update. Make sure the printer is plugged in to complete a firmware update.
- Keep your Kodak Smile app updated. If you don't have your mobile app set to automatically update, then go to the appropriate app store and make sure the latest version is installed.

7. LED SCENARIOS

LED Indicator Status

Camera Ready		Solid White LED
Image Processing		Fast Blinking White LED
Printing Picture		Slow Blinking White LED
Paper Error: Smartsheet Mismatch (Reboot Required), Paper Jam(Reboot Required), Paper Misfeed		Blinking Red LED
Printer Cooling Off		Fast Blinking White LED
Low Battery		Alternating Red & White LED
SD Card Full / Not Supported		Solid Red LED
Battery Indicator Light Status		
Battery	 	Charging: Red; Fully Charged: Green

8. FAQs

Q What makes the Kodak Smile+ unique?

A The Kodak Smile+ camera comes with auto flash, a built-in microSD slot, and Bluetooth connectivity to print photos from the app. But what makes it most unique is the integrated filter-changing lens.

Q Can you choose when to print or does the camera print automatically?

A The Kodak Smile+ camera prints automatically. A few seconds after taking a picture, the picture will start to print. When you're ready to take a photo, press down on the shutter button and hold the camera until you hear an alert. Make sure not to cover the printing slot with your hand while the photo is printing.

Q Why do I need to load the cleaning sheets?

A The blue calibration sheets are created by Zink to clean the paper path rollers of the device and provide the best print quality. The sheet has two main functions:

- i. Calibrates the printer in order to provide the best print quality for your specific Kodak Photo Paper.
- ii. Cleans the paper path rollers to get rid of any dust or debris during calibration, or when you need to improve printing quality.
 - a. Be sure to load each pack of paper with its included cleaning sheet to ensure the best print quality.
 - b. When loading paper, be sure to load the calibration sheet first, with the barcode facing down. This sheet has a unique barcode specific to each paper pack, so be sure not to mix paper from different packs together.
- i. Whenever a new pack is loaded, the blue sheet will be slowly ejected first, and then printing will resume.

Q What can you do with the camera's built-in Bluetooth?

A The camera connects to mobile devices via Bluetooth in order to connect to the app. Once connected, you can use the app to edit and customize photos already on your phone and print out photos from your phone.

Q Do I need to download the app to use the Kodak Smile+?

A It's more fun if you do! The Kodak Smile app allows you to apply stickers, filters and more to photos already on your phone and send them to print from your device.

Q How does the memory card slot work?

A The memory card slot is used to insert a microSD card. Once a microSD card is inserted into the camera, you can save the photos you take. However, you cannot print photos saved on the memory card.

Q Is a microSD™ card required for this camera?

A A microSD™ card is not required in order to use the camera. If you want to save your photos to your computer, you will need to have a microSD™ card or comparable memory card in your camera while you take your pictures.

Q What type of paper is compatible with this camera?

A The Kodak Smile+ is designed to work only with Kodak Zink 2x3 photo paper. Other papers are incompatible with this camera.

Q How do I turn on the flash for my camera?

A Your camera is equipped with a light sensor that will automatically turn on the flash in low light settings.

Q How do I charge my camera?

A To charge the battery in your camera, you will need to plug in the included USB-C cable into a wall adapter (not included). Using a computer or laptop to charge the camera is not recommended because it will significantly increase charging time.

Q Why are my photos blank when they print?

A The Kodak Zink photo paper may have been loaded upside down. When loading the paper, ensure that the blue calibration sheet is at the bottom with the barcode facing down, and the rest of the paper is facing with the glossy side up.

OR

The paper may have been pushed too deeply inside the device. Remove the paper and reload it gently inside the compartment.

Q How do I attach the Kodak Color Straps to my camera?

A The optional color straps, sold separately, can be attached to your camera quickly and easily. First, thread the cord loop through one of the camera rings. Then, thread the quick-release buckle through the loop and pull the buckle to cinch it. Repeat with the second camera ring.

Q Why do I need to load the cleaning sheets?

A The blue calibration sheets are created by Zink to clean the paper path rollers of the device and provide the best print quality. The sheet has two main functions:

- a. Calibrates the printer in order to provide the best print quality for your specific Kodak Photo Paper.
- b. Cleans the paper path rollers to get rid of any dust or debris during calibration, or when you need to improve printing quality.

Be sure to load each pack of paper with its included cleaning sheet to ensure the best print quality.

Make sure you are loading your paper in a neatly aligned stack with the blue calibration sheet on bottom facing down and the rest of the paper with the glossy side up.

9. WARNINGS AND SAFETY PRECAUTIONS

- This camera is not waterproof or water-resistant. Exercise caution when using near water.
- Do not use the camera while you are walking, driving, or riding a motorcycle, as these actions may result in accidents.
- Do not point the flash close to anyone’s eyes. This may cause harm to the person’s eyesight.
- Turn the power off if:
 1. Foreign objects or water enter the camera.
 2. The camera has been dropped or damaged.
- Continued use after the foregoing issues may cause personal injury. Service should only be performed by a qualified technician.
- Use the camera in a well-ventilated area. Do not wrap the camera or place it in cloth or blankets. This may cause heat to build up and deform the housing, resulting in personal injury.
- Do not let sand or other particles get inside the camera, as damage may occur.
- Do not leave your camera or the Kodak Zink photo paper in places where the temperature may rise significantly, such as inside a car or under direct sunlight. This may affect the performance of the product.
- This camera is a precision instrument. Do not drop, strike, or use excessive force when handling the camera.
- Before moving the camera, disconnect all cords and cables. Failure to do so may damage cords and cables, resulting in personal injury or damage to the product.
- For optimal performance, use your Kodak Smile+ Digital Instant Print Camera in temperatures between 60°F and 90°F (15.6°C and 32.2°C) and between 20% to 80% relative humidity.
- During extended use, your camera may feel warm to the touch. This is a normal operating occurrence and does not indicate any product defect or reason to slow down the fun.

10. BATTERY CARE AND CHARGING

Please carefully read and follow these guidelines.

- Your Kodak Smile+ Digital Instant Camera is equipped with a built-in, non-removable 7.4V lithium-ion battery.
- To charge your camera, plug it into a wall outlet using the included USB-C cable and a wall adapter. The battery LED indicator will glow red until the battery is fully charged.
- Your Kodak Smile+ may take up to 2 hours to fully charge.

- Avoid extremely cold environments as low temperatures can shorten the battery life and reduce camera performance. Batteries should not be exposed to excessive heat, such as sunshine, fire or the like.
- Do not disassemble the camera or remove the battery at any time. The battery is not designed to be removed from the camera or charged outside the camera. There is a danger of explosion if the battery is incorrectly replaced and should be replaced only with the same or equivalent type. Please contact our support team for service.
- When the battery power dips below 10%, the battery LED indicator will blink red, and the camera will not print. At 2% power, your camera will automatically shut off.
- Please be sure to dispose of the camera device and battery at a properly designated recycling center in your jurisdiction. Lithium-ion batteries may cause environmental harm if disposed incorrectly.

11. CUSTOMER SERVICE

U.S.: kodak@camarketing.com, 844-516-1539

International: kodakintl@camarketing.com, +1-844-516-1540

The Kodak trademark, logo and trade dress are under license from Eastman Kodak Company.

Smile+ is a trademark of C&A IP Holdings, LLC in the U.S., the European Union, and the United Kingdom.

ZINK, Zero Ink, and the ZINK logo are trademarks of ZINK Holdings, LLC used under license.

MicroSD, microSDHC, microSDXC, and miniSD are trademarks of SD-3C LLC.

Android and Google Play are trademarks of Google LLC.

Apple, iOS, and App Store are trademarks of Apple Inc. in the U.S. and other countries.

All other products, brand names, company names and logos are trademarks of their respective owners, used merely to identify their respective products, and are not meant to connote any sponsorship, endorsement, or approval.

Distributed by C&A Marketing, Inc., 114 Tived Lane East, Edison, NJ 08837. Made in China.

©2024. C&A IP Holdings LLC. All Rights Reserved.

12. FCC STATEMENTS

The United States Federal Communications Commission (in 47 CFR 15.105) has specified that the following notice be brought to the attention of users of this product.

This equipment has been tested and found to comply with the limits for a Class B digital device, pursuant to Part 15 of the FCC Rules. These limits are designed to provide reasonable protection against harmful interference in a residential installation. This equipment generates, uses, and can radiate radio frequency energy and, if not installed and used in accordance with the instructions, may cause harmful interference to radio communications. However, there is no guarantee that interference will not occur in a particular installation. If this equipment does cause harmful interference to radio or television reception, which can be determined by turning the equipment off and on, the user is encouraged to try to correct the interference by one or more of the following measures:

- Reorient or relocate the receiving antenna.
- Increase the separation between the equipment and receiver.
- Connect the equipment into an outlet on a circuit different from that to which the receiver is connected.
- Consult the dealer or an experienced radio/TV technician for help.

This device complies with Part 15 of the FCC Rules. Operation is subject to the following two conditions: (1) this device may not cause harmful interference, and (2) this device must accept any interference received, including interference that may cause undesired operation.

Modifications (part 15.21).

Any changes or modifications made to this device that are not expressly approved by C&A Marketing may void the user's authority to operate the equipment.

For further information, contact:

C+A Global

114 Tived Lane East, Edison, NJ 08837

Email: kodak@camarketing.com

Telephone: 1-844-516-1539

Website: www.kodakphotoplus.com

13. ELECTRONIC WASTE STATEMENT

Kodak, its licensees and affiliates, fully supports all electronic waste initiatives. As responsible stewards of the environment, and to avoid violating established laws, you should properly dispose of this product in compliance with all applicable regulations, directives, or other governances in the area where you reside. Please check with local authorities or the retailer where you purchased this product to determine a location where you can appropriately dispose of the product.

You may also check with your local recycling facility to determine their data sanitization procedures during the recycling process.

14. LIMITED WARRANTY TO ORIGINAL CONSUMER

This Kodak Smile+ Digital Instant Print Camera ("Product"), including any accessories included in the original packaging, as supplied, and distributed new by an authorized retailer is warranted by C&A Marketing, Inc. (the "Company") to the original consumer purchaser only, against certain defects in material and workmanship ("Warranty") as follows:

To receive Warranty service, the original consumer purchaser must contact the Company or its authorized service provider for problem determination and service procedures. Proof of purchase in the form of a bill of sale or receipted invoice, evidencing that the Product is within the applicable Warranty period(s), MUST be presented to the Company or its authorized service provider in order to obtain the requested service.

Service options, parts availability, and response times may vary and may change at any time. In accordance with applicable law, the Company may require that you furnish additional documents and/or comply with registration requirements before receiving warranty service:

USA: kodak@camarketing.com, 844-516-1539

International: kodakintl@camarketing.com, +1-844-516-1540

Shipping expenses to the Company's Return Facility are not covered by this warranty and must be paid by the consumer. The consumer likewise bears all risk of loss or further damage to the Product until delivery to said facility.

EXCLUSIONS AND LIMITATIONS The Company warrants the Product against defects in materials and workmanship under normal use for a period of ONE (1) YEAR from the date of retail purchase by the original end-user purchaser ("Warranty Period"). If a hardware defect arises and a valid claim is received within the Warranty Period, the Company, at its sole option and to the extent permitted by law, will either (1) repair the Product defect at no charge, using new or refurbished replacement parts, (2) exchange the Product with a Product that is new or which has been manufactured from new or serviceable used parts and is at least functionally equivalent to the original device, or (3) refund the purchase price of the Product.

A replacement Product or part thereof shall enjoy the warranty of the original Product for the remainder of the Warranty Period, or ninety (90) days from the date of replacement or repair, whichever provides you longer protection. When a Product or part is exchanged, any replacement item becomes your property, while the replaced item becomes the Company's property. Refunds can only be given if the original Product is returned.

This Warranty does not apply to:

- (a) Any non-Kodak Smile+ Digital Instant Print Camera product, hardware, or software, even if packaged or sold with the product;
- (b) Damage caused by use with non-Kodak Smile+ Digital Instant Print Camera products;

- (c) Damage caused by accident, abuse, misuse, flood, fire, earthquake, or other external causes;
- (d) Damage caused by operating the Product outside the permitted or intended uses described by the Company;
- (e) Damage caused by third party services;
- (f) A product or part that has been modified to alter functionality or capability without the written permission of the Company;
- (g) Consumable parts, such as batteries, fuses and bulbs;
- (h) Cosmetic damage; or
- (i) If any Kodak Smile+ Digital Instant Print Camera serial number has been removed or defaced.

This Warranty is valid only in the country where the consumer purchased the Product, and only applies to Products purchased and serviced in that country.

The Company does not warrant that the operation of the Product will be uninterrupted or error-free. The Company is not responsible for damage arising from your failure to follow instructions relating to its use.

NOTWITHSTANDING ANYTHING TO THE CONTRARY AND TO THE MAXIMUM EXTENT PERMITTED BY APPLICABLE LAW, THE COMPANY PROVIDES THE PRODUCT "AS-IS" AND "AS-AVAILABLE" FOR YOUR CONVENIENCE AND THE COMPANY AND ITS LICENSORS AND SUPPLIERS EXPRESSLY DISCLAIM ALL WARRANTIES AND CONDITIONS, WHETHER EXPRESSED, IMPLIED, OR STATUTORY, INCLUDING THE WARRANTIES OF MERCHANTABILITY, FITNESS FOR A PARTICULAR PURPOSE, TITLE, QUIET ENJOYMENT, ACCURACY, AND NON-INFRINGEMENT OF THIRD-PARTY RIGHTS. THE COMPANY DOES NOT GUARANTEE ANY SPECIFIC RESULTS FROM THE USE OF THE PRODUCT, OR THAT THE COMPANY WILL CONTINUE TO OFFER OR MAKE AVAILABLE THE PRODUCT FOR ANY PARTICULAR LENGTH OF TIME. THE COMPANY FURTHER DISCLAIMS ALL WARRANTIES AFTER THE EXPRESS WARRANTY PERIOD STATED ABOVE.

YOU USE THE PRODUCT AT YOUR OWN DISCRETION AND RISK. YOU WILL BE SOLELY RESPONSIBLE FOR (AND THE COMPANY DISCLAIMS) ANY AND ALL LOSS, LIABILITY, OR DAMAGES RESULTING FROM YOUR USE OF THE PRODUCT.

NO ADVICE OR INFORMATION, WHETHER ORAL OR WRITTEN, OBTAINED BY YOU FROM THE COMPANY OR THROUGH ITS AUTHORIZED SERVICE PROVIDERS SHALL CREATE ANY WARRANTY.

IN NO EVENT WILL THE COMPANY'S TOTAL CUMULATIVE LIABILITY ARISING FROM OR RELATED TO THE PRODUCT, WHETHER IN CONTRACT OR TORT OTHERWISE EXCEED THE FEES ACTUALLY PAID BY YOU TO THE COMPANY OR ANY OF ITS AUTHORIZED RESELLERS FOR THE PRODUCT AT ISSUE IN THE LAST YEAR FROM YOUR PURCHASE. THIS LIMITATION IS CUMULATIVE AND WILL NOT BE INCREASED BY THE EXISTENCE OF MORE THAN ONE INCIDENT OR CLAIM. THE COMPANY DISCLAIMS ALL LIABILITY OF ANY KIND OF ITS LICENSORS AND SUPPLIERS. IN NO EVENT WILL THE COMPANY OR ITS LICENSORS, MANUFACTURERS AND SUPPLIERS BE LIABLE FOR ANY INCIDENTAL, DIRECT, INDIRECT, SPECIAL, PUNITIVE, OR CONSEQUENTIAL DAMAGES (SUCH AS, BUT NOT LIMITED TO, DAMAGES FOR LOSS OF PROFITS, BUSINESS, SAVINGS, DATA OR RECORDS) CAUSED BY THE USE, MISUSE, OR INABILITY TO USE THE PRODUCT.

Nothing in these terms shall attempt to exclude liability that cannot be excluded under applicable law. Some countries, states or provinces do not allow the exclusion or limitation of incidental or consequential damages or allow limitations on warranties, so certain limitations or exclusions may not apply to you. This warranty gives you specific legal rights, and you may have other rights that vary from state to state or province to province. Contact your authorized retailer to determine if another warranty applies.

Kodak does NOT manufacture this Product or provide any Warranty or support.

KODAK

Authorized Licensee

C&A Marketing, Inc.

Distributed by C&A Marketing, Inc.

KODAKPHOTOPLUS.COM

Distributed by C&A Marketing, Inc., 114 Tived Lane East, Edison, NJ 08837

©2024, C&A IP Holdings, LLC.

