

# CBO-500 DIY KIT Specifications



UPC 705604321215 | SKU CBO-O-KIT-500

## Details

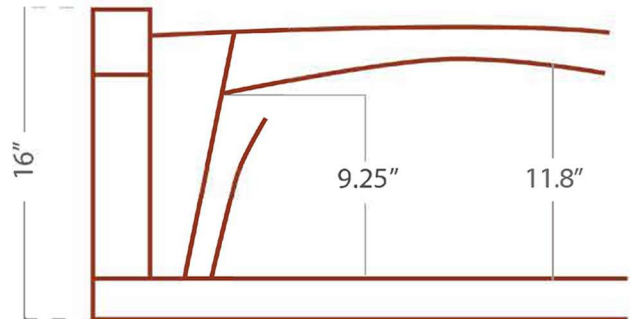
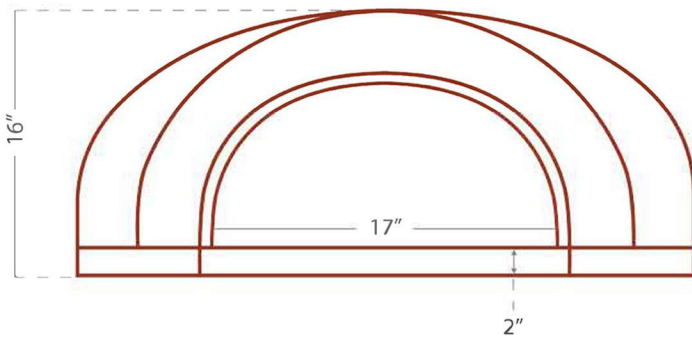
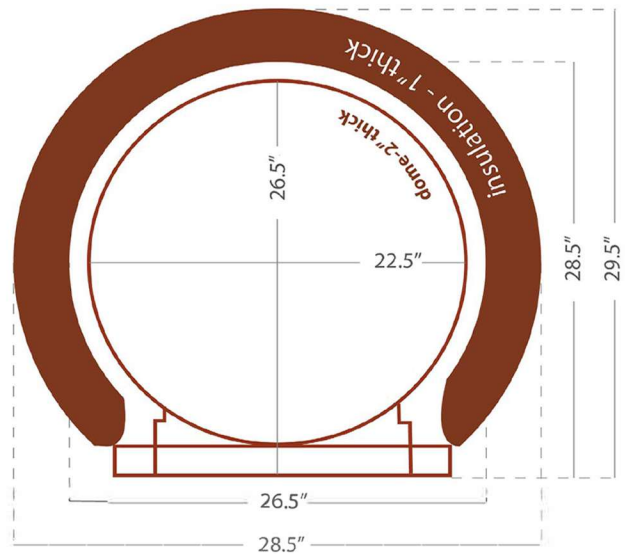
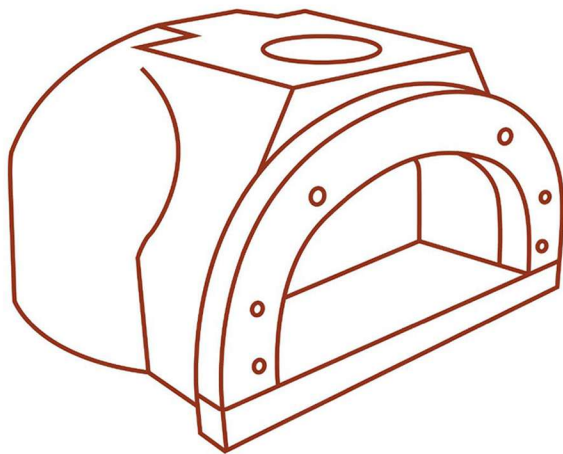
- 5-Piece Oven (Dome, 2-piece Hearth, Arch, Decorative Door)
- Install Kit (Anchor Plate, Insulating Board & Blanket, 18-Gauge Galvannealed Steel Plate, Mortar)
- Accessory Package (Pizza Peel, Brush, Infrared Thermometer)
- Hearth Cooking Surface 26.5" x 22.5"

- Support weight minimum: 350 lbs

- Piece weight:
  - Dome ..... 210 lbs
  - Back Hearth ..... 50 lbs
  - Front Hearth ..... 25 lbs
  - Arch ..... 17 lbs

### Bolt Dimensions:

- 4 Anchor plate bolts (ss 1/4-20 x 1/2")
- 2 Arch bolts (ss 1/4-20 x 1 3/4")
- 4 Door arch bolts (ss 1/4-20 x 2 1/2")



**CHICAGO BRICK OVEN**