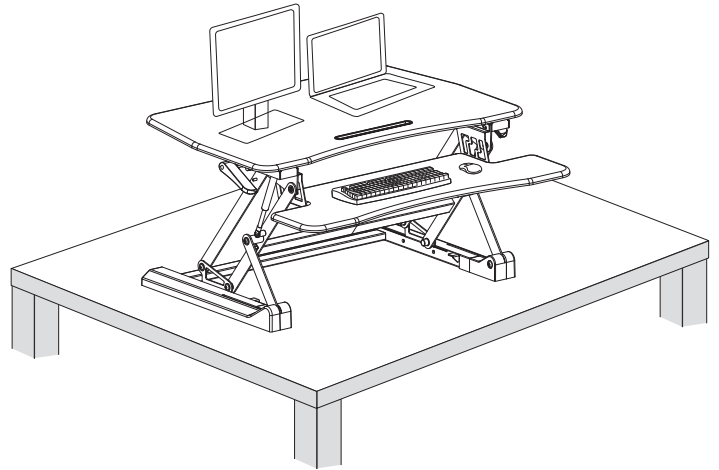
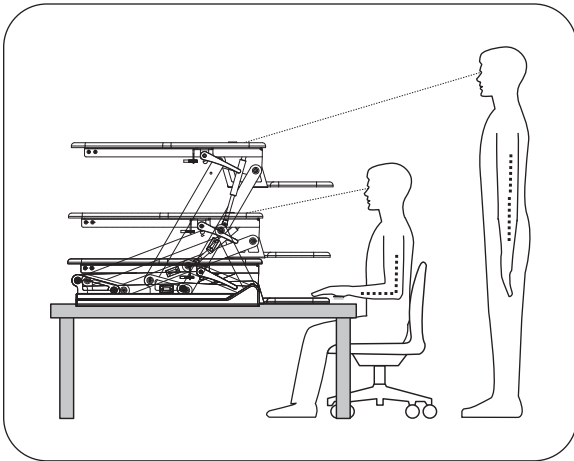
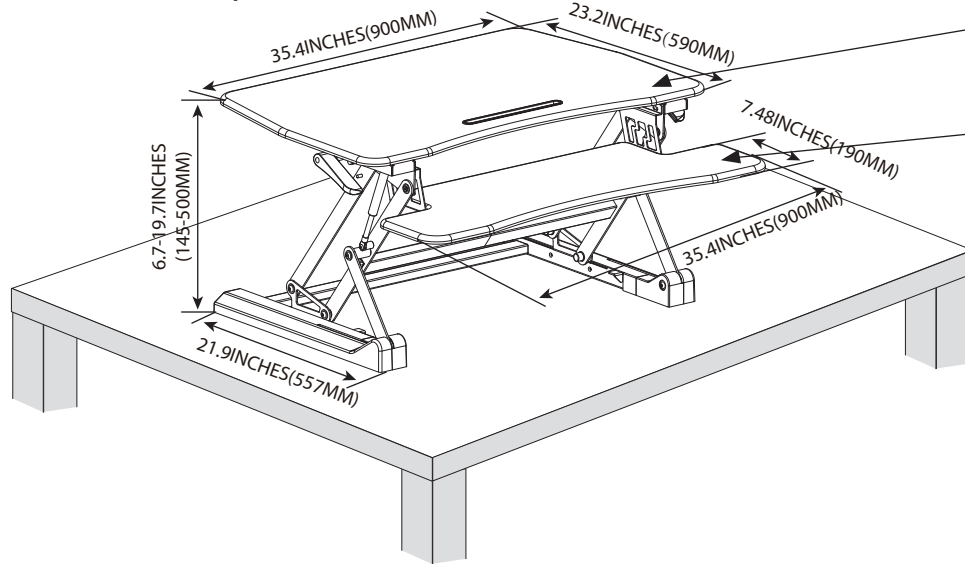


ASSEMBLY INSTRUCTIONS



Features & Specifications



A Maximum Weight:
28lbs (13kg)

B Maximum Weight:
5lbs (2kg)

**A+B Maximum Weight:
33lbs (15kg)**



**CAUTION: DO NOT EXCEED
MAXIMUM LISTED WEIGHT
CAPACITY. SERIOUS INJURY
OR PROPERTY DAMAGE MAY
OCCUR!**

Components

Note: The illustrations below are for reference only and may differ slightly from actual parts. If you have trouble with installation or if there are missing parts, please contact customer service so we can assist and remedy the problem quickly.

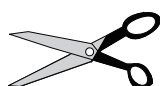
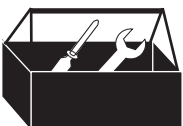


	A	B	C	D	E	F	G
1		 2 pcs	 1 pc	 6 pcs	 S=4mm 1 pc	 1 pc	 2 pcs

Tools required not included



CAUTION: Please read all instructions carefully and thoroughly before using this product. Keep this manual and all instructions for future reference.



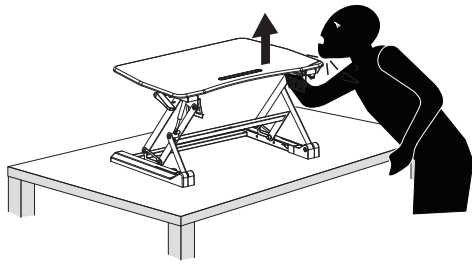
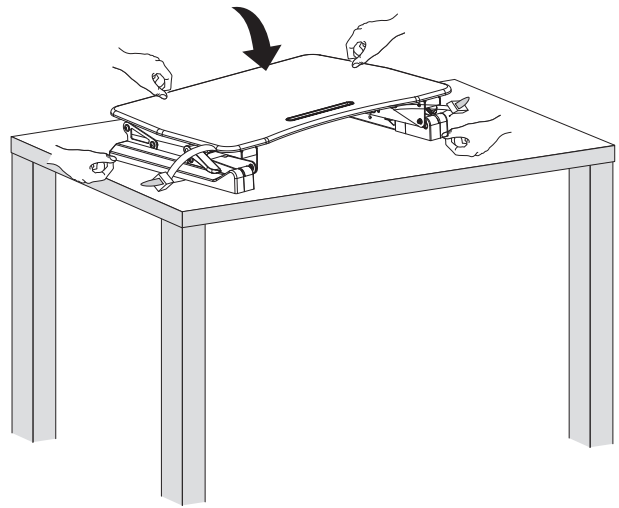
For customer service, please contact service@zoovaa.com

1



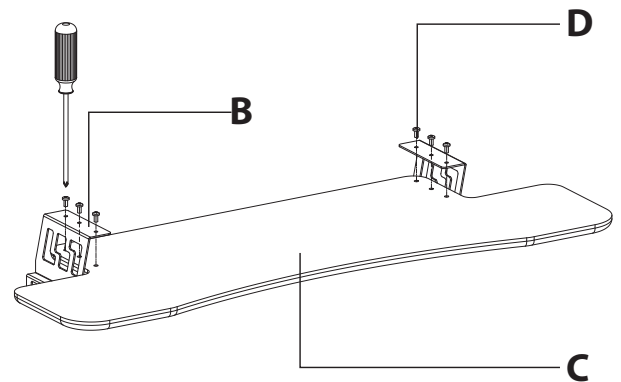
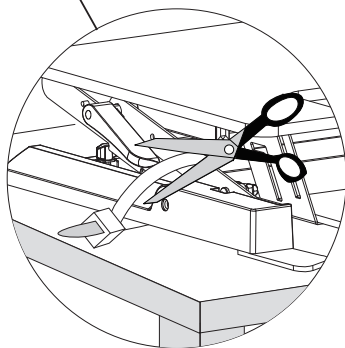
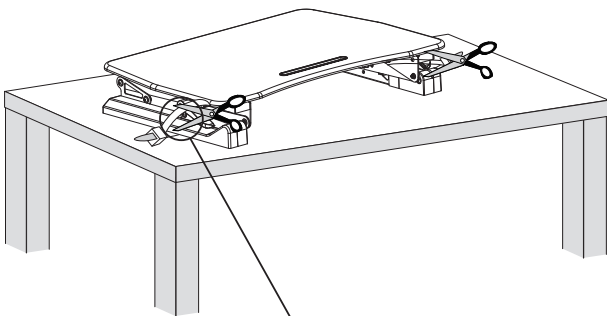
⚠ CAUTION: Heavy object.
Two person lift required.

⚠ CAUTION: Ensure the desktop riser is centered on a flat, level surface before operating.



Warning: Impact Hazard! Moving parts can crush and cut.

2

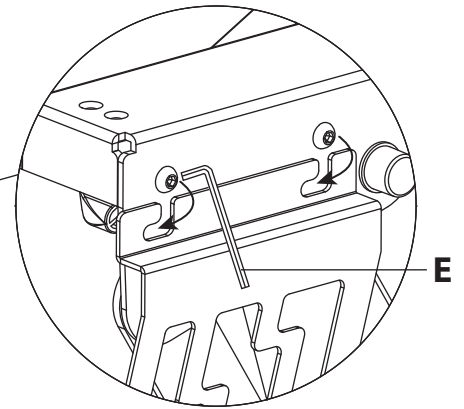
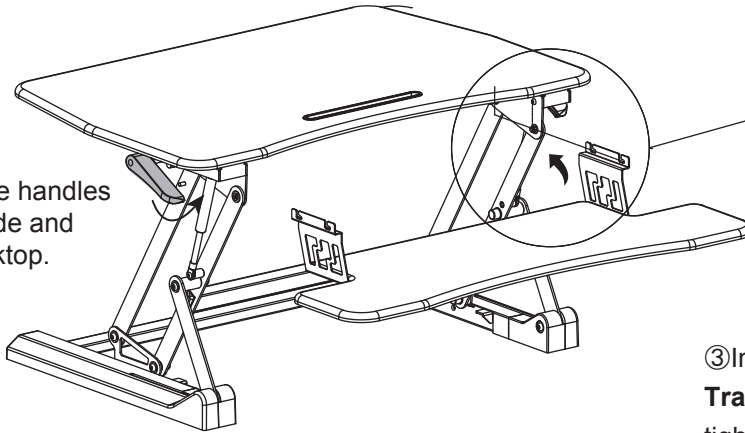


Attach the **Brackets (B)** to the **Keyboard Tray (C)** with **Screws (D)** using a Philips head screwdriver.

3

② Loosen the pre-attached thumb screws on the frame

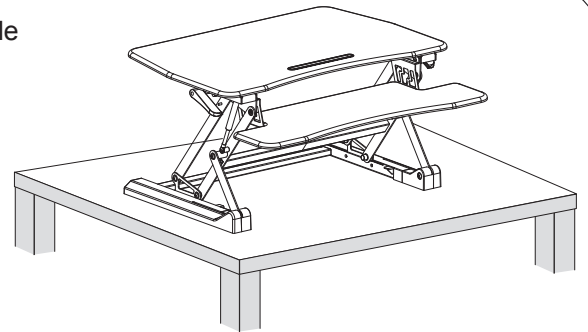
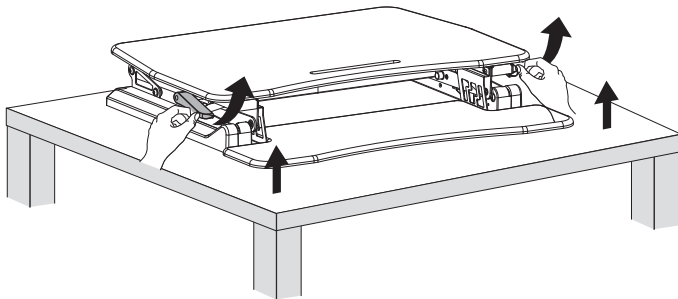
① Press the handles on each side and lift the desktop.



③ Insert the **Brackets (B)** with the **Keyboard Tray (C)** on to the thumb screws then tighten the thumb screws with **Allen Wrench (E)**.

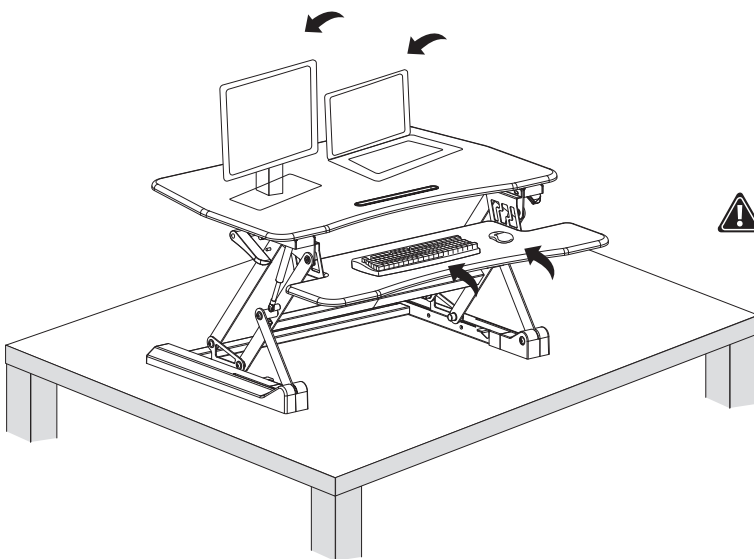
4

To operate the desktop riser, press the two handle grips on each side simultaneously and raise or lower the desktop to the desired height.



! CAUTION: Please keep hands away from the supporting bars during operation as pinching could result.

5

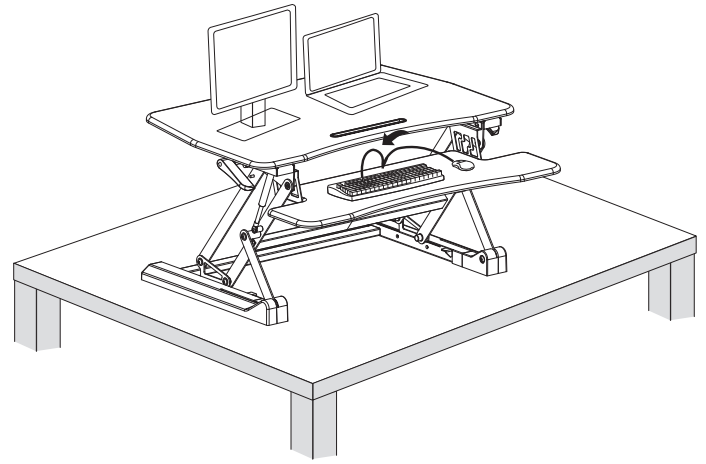
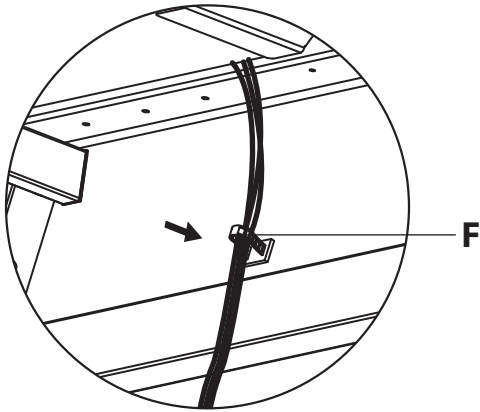


! CAUTION: Keep monitor and laptop base fully on the desktop surface. Allowing any parts of the monitor and laptop base or the stand to hang off the edge may result in property damage and/or personal injury.



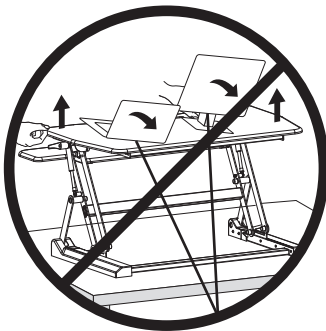
! CAUTION: Raise the desktop slowly. Raising the desktop too fast may create an unstable situation resulting in property damage and/or personal injury.

6

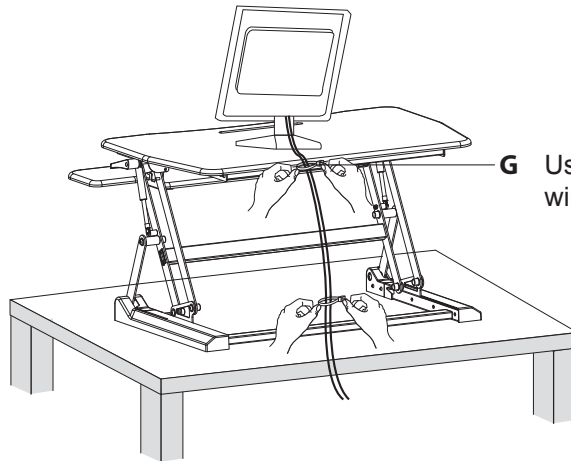


Use **Self Adhesive Tie (F)** for clean cable management.

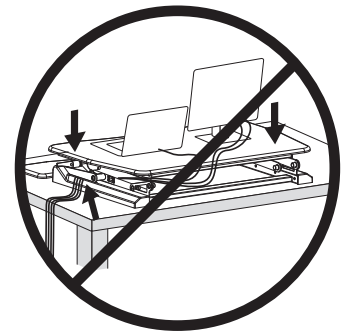
7



WARNING: Leave enough slack in cable to allow for full range of vertical motion (15"/38 cm). Failure to heed this warning may result in property damage and/or personal injury.



G Use the **Cable Tie (G)** to organize cables, wires, and cords and avoid a tangled mess.



WARNING: To avoid potential to pinch cables, it is important to follow the cable routing instructions in this manual. Failure to follow these instructions may result in equipment damage and/or personal injury.

DO NOT place hands on or near support bars. Pinch points are created during lifting and lowering the worksurface. Failure to follow these instructions may result in serious personal injury.



Limited Warranty Terms and Conditions:

All ZOOVAA products are guaranteed to the original purchaser and are subject to the terms and conditions as stated in this Limited Warranty. This Warranty only applies to the United States domestic market. Our products are warranted to be free from defects in materials and workmanship by a limited 90 day parts and 3 year frame Warranty. The Warranty applies for the purposes intended, under normal conditions only. This Warranty excludes but is not limited to damage caused by normal and typical wear, accidents, unreasonable use, negligence, improper care, damage from abuse, or unauthorized repair.

WARNING: This product can expose you to one or more chemicals known to the State of California to cause cancer and birth defects or reproductive harm. For more information, go to www.P65Warnings.ca.gov/product.