



Digital Touch Controller System

Interlock Function

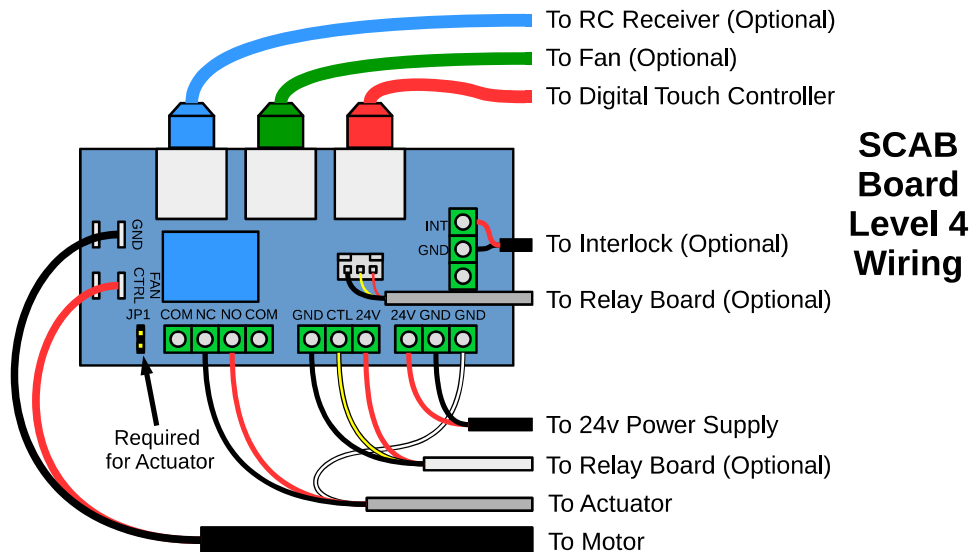
The Airscape Digital Touch Controller system includes a system-interrupting interlock function. This allows you to disable operation of the unit while other appliances are active, such as heating or cooling systems.

While triggered, this interlock disables the fan and sets the damper doors to the Off position, but does not reset the current fan speed as displayed on the Digital Touch controller. Removal of the interlock allows the unit to resume the previously set fan speed. The Timer function will continue to operate normally while the interlock is active.

This interlock is triggered by closing the circuit between two contacts on the board. The exact method of closing this circuit will depend on the particular installation and equipment the WHF is interfacing with. One possible way of doing so is with a double-pole wall switch, in which it is wired so that one pole is used to control power to the appliance and the other pole closes the interlock contacts. Another way would be to use a relay or current switch that is activated when the appliance is turned on.

It is important that no voltage be sent to the board from external sources when choosing how to wire this interlock. It is designed to operate only as a closed loop circuit.

This interlock is controlled with the INT and GND contacts on terminal block P4, on the Simple Controller Attic Board. This board is found inside the junction box mounted on the fan unit.



SCAB Board Level 4 Wiring

Please call AirScape Tech Support at 541.646.9330 or email experts@airscapefans.com and refer to your tech log number if you have any questions.