



DLX CONTROLLER

INSTALLATION AND OPERATION MANUAL

© ALL RIGHTS RESERVED | AIRSCAPE INC.



TABLE OF CONTENTS

Introduction	2
What's Included	3
Precautions	3
Choosing A Location	3
Installation	4
Installation Overview (wireless/hardwired)	4
Installation Procedure (wireless/hardwired)	4-5
Operation	7
Learning the Home Screen	7
Buttons	7
Operation Overview	8
Operation Procedure	8
Manual Mode	8
Temperature Mode 1	9
Temperature Mode 2	9
Time Mode 1	10
Time Mode 2	10
Resetting the Time	11
Operating Tips	11
Dimensions	11
Warranty	12

INTRODUCTION

CONGRATULATIONS on the purchase of the AirScape DLX Controller Kit! The DLX Controller is designed to provide programmable control of your AirScape Whole House Fan. It gives you the ability to 'set and forget' your AirScape Whole House Fan for the ultimate in convenience and comfort. The DLX Controller helps the fan to do its job most effectively, requiring minimal attention, thus allowing you to sleep comfortably and peacefully throughout the evening. This kit also includes everything necessary for the option* of convenient wireless operation. Automation, convenience, optimal efficiency and comfort - the AirScape DLX Controller puts it all at your fingertips.

*Please follow the proper installation directions according to your preferred installation method.

WHAT'S INCLUDED

- **DLX Controller module**



- **Wireless Transceiver w/ mounting tape**
(for wireless installation)



- **AAA Batteries (3)**
(for wireless installation)



- **metal (1) and plastic (1) cord strain reliefs**
(for hardwired or wireless installation)



- **wall anchors (2) and screws (2)**
(for hardwired or wireless installation)



PRECAUTIONS

Keep in mind that a window or door must **always** be open when running a whole house fan. This is to prevent negative pressures which will cause excessive wear on the fan motor as well as potential backdraft dangers with gas appliances.

CHOOSING A LOCATION

The DLX Controller module contains a thermostat that reads the interior temperature, so it is important to choose a proper location for the unit to be installed. Generally, this would be a centralized location, away from any sources of heat or significant drafts or air currents. You may also want to move the unit around to the specific area that you would like to cool down, like inside a bedroom. Keep in mind, this would only be possible if you choose to install the DLX Controller Kit wirelessly. This will be further discussed in the following section.

INSTALLATION

Installation Overview:

Before installing the AirScape DLX Controller kit, you must choose your installation method. There are two options, *hardwired* OR *wireless* installation:

**for detailed installation instructions, skip ahead to 'Installation Procedure'*

Hardwired Installation Overview:



In order to make the screen backlight functional, the controller **MUST** be hardwired directly to the control board. This requires running 4-conductor wire (not included) from the main control board on your whole house fan to the location in the wall where you would like the controller installed. You will need to

mount the controller on the surface of the wall with the provided screws and wall anchors. It is **NOT** necessary to install the included (3) AAA batteries or the wireless transceiver if hardwiring the AirScape DLX Controller Kit.

Wireless Installation Overview:



Alternatively, the wireless transceiver (included) can be installed for wireless connectivity. You must install the transceiver onto the main control board on your whole house fan, as well as the included (3) AAA batteries into the controller. If selecting wireless installation, you can mount the controller on an interior wall with the provided screws and wall anchors, or you can choose the convenient handheld option.

**Note:* Installing the the controller wirelessly is simple and convenient and provides flexibility in operation, while hardwiring provides a useful screen backlight and removes the need to replace the batteries down the road. If planning to install wirelessly, installation of the transceiver can easily be done prior to installation of the fan unit itself in order to reduce the difficulty of working inside the attic. Take some time to consider the pros and cons when deciding between wireless and hardwired installation.

Installation Procedure:

Local codes and standards must be followed in the installation of the DLX Controller Kit. Ensure your whole house fan is unplugged before performing the following steps.

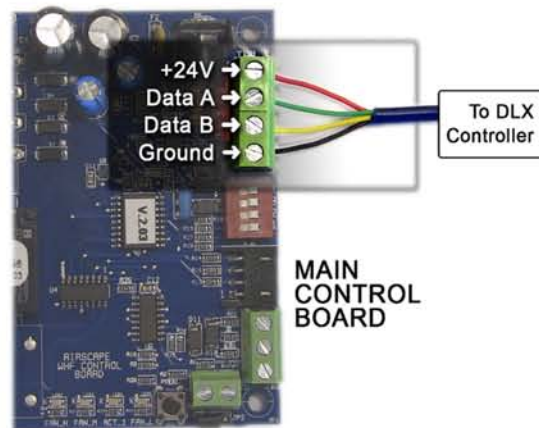
**If planning to use the DLX Controller wirelessly, skip forward to 'Wireless Installation'*

Hardwired Installation Procedure:

(IN THE ATTIC)

- Step 1)** Run wire (4-conductor, 18-22ga) of proper length from the location of the main control board in the attic toward the location where you would like the DLX Controller mounted on an interior wall. This wire will carry a low-voltage signal.
- Step 2)** (**in attic*) Using a flathead screwdriver or a 1/4" nut driver, loosen the four hex screws on the whole house fan junction box and remove the cover plate to expose the control board.
- Step 3)** (**in attic*) Remove one of the metal electrical knock-outs on the junction box and install the metal strain relief (included), then route 4-conductor wire through this hole and connect to the 4-position set screw terminal on the control board as indicated in **Figure 1**. Tug on each wire to ensure a good connection. Next, install the black plastic strain relief (included) on the wire and secure in knock-out.

Figure 1. Hardwiring at Main Control Board



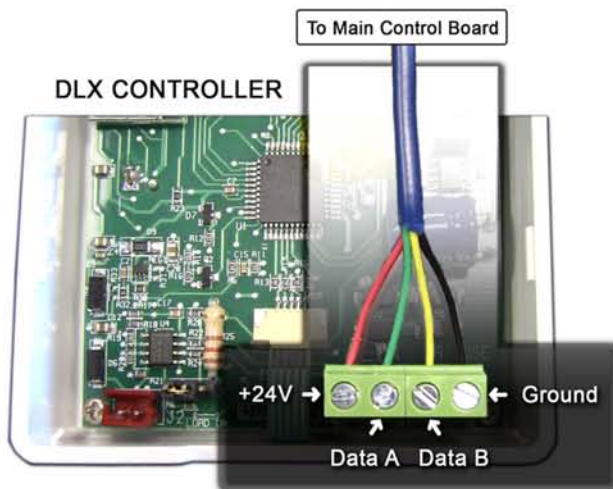
- Step 4)** Replace junction box cover and resupply power to the whole house fan.

(IN THE LIVING SPACE)

- Step 5)** Run the 4-conductor wire through the wall at the desired location and through the rectangular hole on the back plate of the DLX Controller. Next, secure the plate to the wall using the provided screws and wall anchors.

- Step 6)** Wire as indicated below (**Figure 2**) to the 4-position terminal on the DLX Controller,

Figure 2. Hardwiring at DLX Controller

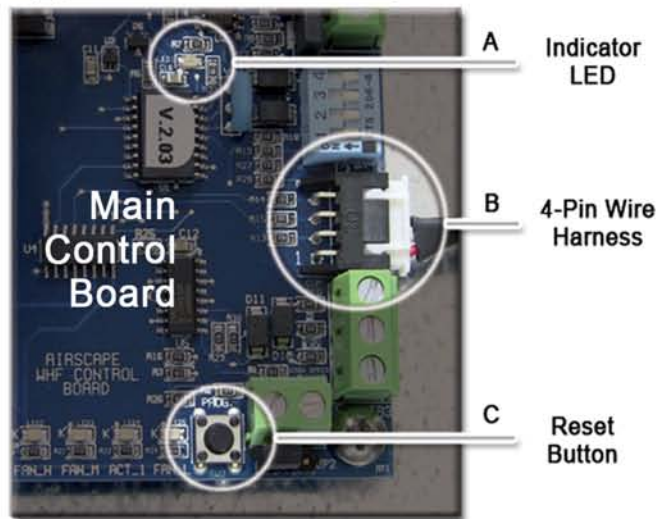


then secure the controller to back plate on wall. Once hardwired, the DLX Controller is fully functional and ready to operate. Initially, the DLX Controller will guide you through a brief start-up sequence in which you can set the current time. To set the time, use the left button to select the hour and the right button to select the minute, then press the center button to accept. The time can be easily reset at any time during operation (see section titled: 'Resetting Time').

Wireless Installation Procedure:

- Step 1)** Remove the back plate of the DLX Controller and install the 3 (included) AAA batteries.
- Step 2)** After installing the batteries, the DLX Controller will guide you through a brief start-up sequence in which will prompt you to set the current time. To set the time, use the left button to select the hour and the right button to select the minute, then press the center button to accept. The time can easily be reset at any time during operation (see section: '*Resetting the Time*').
- Step 3)** Using a flathead screwdriver or a 1/4" nut driver, loosen the four hex screws on the whole house fan junction box and remove the cover plate to expose the main control board.
- Step 4)** Remove one of the metal electrical knock-outs on the side of the junction box and install the metal strain relief (included), then route the 4-pin wire harness for the wireless transceiver (antenna) through this hole and connect to the receptacle on the control board as shown in **Figure 3, B**. Next, install the black plastic strain relief (included) on the wire and secure in knock-out.

Figure 3. Wireless Installation



- Step 5)** Provide power to your whole house fan. To merge the controller to the transceiver, the red LED on the main control board must be flashing. This can be done by cycling power to the unit - either by unplugging/plugging in the unit itself or by using the *reset button* located on the bottom right of the main control board (**Figure 3, C**). The LED (**Figure 3, A**) will flash for about 30 seconds.
- Step 6)** Hold the center button on the controller for 5 seconds within this 30 second time frame while the red LED is flashing. The unit will display '*Searching*' and then display '*Merge Complete*'. Press the center button to return to the home screen. Once merged to the receiver, the DLX Controller is fully functional and ready to operate.
- Step 7)** Replace the junction box cover plate and tighten the four hex screws. Then mount the wireless transceiver on the junction box using the provided double-back tape.

OPERATION

Learning the Home Screen:

The home screen on the controller displays the current time and temperature, fan speed operation status, and the current program mode and parameters. It will also remind you to have a window open when the fan is in operation.

Program Modes:

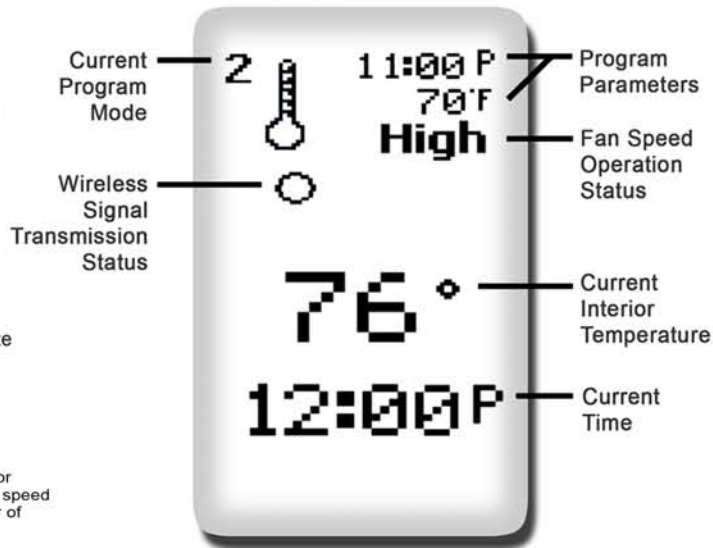
- 1 Temperature Mode 1
- 2 Temperature Mode 2
- 1 Time Mode 1
- 2 Time Mode 2

Signal Transmission:

- transmitting
- transmission complete
- transmission failed

Fan Speeds:

- Low**
 - High**
 - Auto**
- Auto:
High speed for 2 hours, Low speed for remainder of program



Buttons:

The DLX Controller has three (3) buttons, and their functions are described below.



Left Button:

- Adjust program time, temperature, or fan speed
- Return to home screen / Cancel program / Turn off fan
- Hold for 5 seconds to reset time



Center Button:

- Select program or parameter; enter
- Hold for 5 seconds to initiate wireless merge sequence (*wireless installation only*)



Right Button:

- Adjust program time, temperature, or fan speed
- Press from home screen to scroll through program modes

Operation Overview:

*for detailed operation instructions, skip ahead to 'Operation Procedure'



The DLX Controller has five operation modes, including a Manual Mode as well as four different programmable modes that each involve a timer and/or thermostat. The programmable modes have the capability to turn the fan ON immediately or at any designated time, and to turn the fan OFF at any designated time or temperature. This provides you automated control of your AirScape Whole House Fan and allows you to further optimize the effectiveness and efficiency of operation. The home screen on the controller displays the current time and temperature, fan speed operation status, and current program mode and parameters

Operation Procedure:

This section describes the function and programming procedure for each of the five (5) different operation modes the DLX Controller offers.

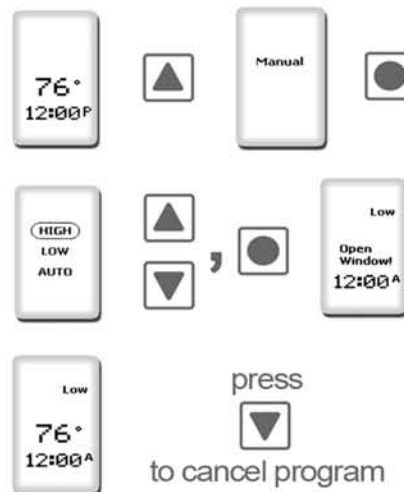
Note: When selecting fan speeds, the AUTO option will turn the fan ON HIGH speed for a period of two (2) hours then *automatically* switch to LOW speed for the remainder of the program.

Manual Mode

Use manual mode when you would not like to use any sort of timer or thermostatic control.

operation:

- 1) From the home screen, press the right button once, then press the center button to enter Manual Mode.
- 2) Use the left and right buttons to select HIGH, LOW, or AUTO, then press the center button to turn the fan ON.
- 3) At any time during operation of Manual Mode, press the left button from the home screen to turn the fan OFF.

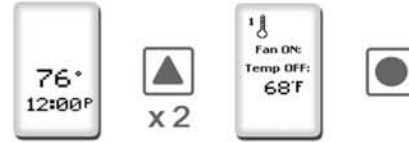


Temperature Mode 1

Use Temperature Mode 1 when you would like the fan to turn ON immediately and then turn OFF at a designated set point temperature.

operation:

- 1) From the home screen, press the right button twice, then press the center button to enter Temperature Mode 1.



- 2) The set point temperature will flash. Use the right and left buttons to select the (low) temperature at which the fan will turn off, then press the center button to accept.



- 3) Use the right and left buttons to select HIGH, LOW, or AUTO, then press the center button to turn the fan ON. The fan will run until the set point temperature is reached.



- 4) At any time during operation of Temperature Mode 1, press the left button from the home screen to turn the fan OFF and cancel the program.



Temperature Mode 2

Use Temperature Mode 2 when you would like the fan to turn on at a time in the future and then turn off at a designated set point temperature.

operation:

- 1) From the home screen, press the right button three times, then press the center button to enter Temperature Mode 2.



- 2) 'Time ON:' will flash. Use the left and right buttons to select the set point time at which you would like the fan to turn ON, then press the center button to accept.



- 3) Next, the set point temperature will flash. Use the right and left buttons to set the (low) temperature at which the fan will turn off, then press the center button to accept.



- 4) Use the right and left buttons to select HIGH, LOW, or AUTO, then press the center button to set the program. The fan will turn on at the designated set point time and will run until the set point temperature is reached.



- 5) At any time during operation of Temperature Mode 2, press the left button from the home screen to cancel the program.

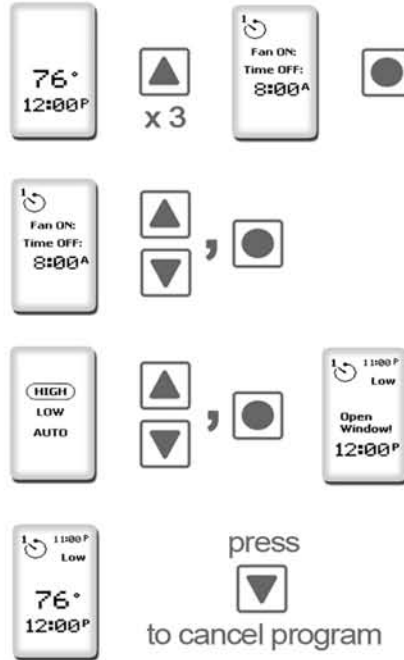


Time Mode 1

Use Time Mode 1 when you would like the fan to turn on immediately and then turn off at a designated set point time.

operation:

- 1) From the home screen, press the right button four times, then press the center button to enter Time Mode 1.
- 2) 'Time OFF:' will flash. Use the right and left buttons to select the time at which you would like the fan to turn OFF, then press the center button to accept.
- 3) Use the right and left buttons to select HIGH, LOW, or AUTO, then press the center button to turn the fan ON. The fan will run until the designated set point time is reached.
- 4) At any time during operation of Time Mode 1, press the left button from the home screen to turn the fan OFF and cancel the program.

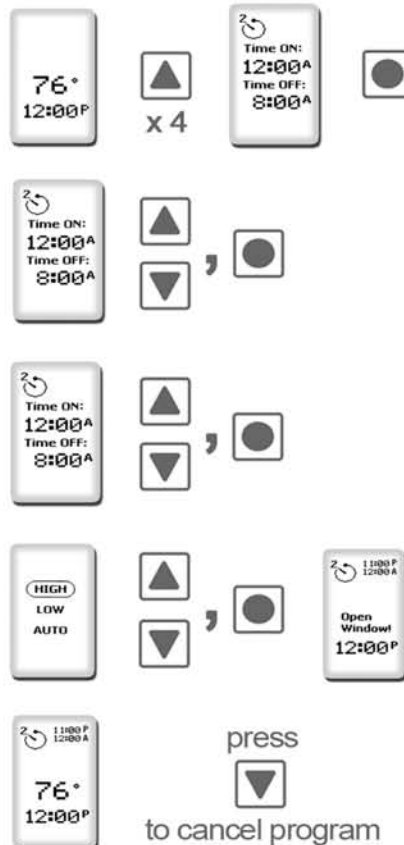


Time Mode 2

Use Time Mode 2 when you would like to designate the times at which the fan will turn ON and OFF.

operation:

- 1) From the home screen, press the right button five times, then press the center button to enter Time Mode 2.
- 2) 'Time ON:' will flash. Use the left and right buttons to select the set point time at which you would like the fan to turn ON, then press the center button to accept.
- 3) Next, 'Time OFF:' will flash. Use the right and left buttons to select the time at which you would like the fan to turn OFF, then press the center button to accept.
- 4) Use the right and left buttons to select HIGH, LOW, or AUTO, then press the center button to start the program. The fan will turn ON and OFF at the respective designated times.
- 5) At any time during operation of Time Mode 2, press the center button to switch between fan speeds, or press the left button to cancel the program and return to the home screen.



RESETTING THE TIME

To reset the time on the DLX Controller, press and hold the left button for 5 seconds. 'Current Time' will be displayed. Use the left button to select the hour and the right button to select the minute, then press the center button to accept.



OPERATING TIPS

- Once again, ALWAYS have a window or door open when running a whole house fan, and be sure to keep this in mind when setting automated programs.
- Make sure your A/C is off when you run the fan to avoid expensive energy bills.
- We recommend running your whole house fan all night. The goal is to cool your entire house down, not just the air. It takes more time to pull the heat out of solid mass like the sheetrock, structure and contents of the house. Once the structure itself has cooled properly, it can work as a shield against the heat the following day. Pre-cooling the structure in this way will get the most effectiveness out of your whole house fan, and will delay or eliminate the need for A/C with continued use.

DIMENSIONS



Controller:

Height: 4 1/8"

Width: 2 7/8"

Depth: 1"

Wireless Transceiver:

Length: 3 1/2"

Cord Length: 8'



WARRANTY

Hardware

AirScape warrants the original end user ("Customer") that new AirScape Whole House fan products, including all moving parts, motors, dampers, and damper actuators will be free from defects in workmanship and materials, under normal use, for one (1) year from the original purchase date.

Software

AirScape warrants to Customer that the AirScape Whole House Fan software will perform in substantial conformance to its program specifications for a period of one (1) year from the date of the original purchase.

Exclusions

This warranty excludes (1) physical damage to the surface of the product, including cracks or scratches on the outside casing; (2) damage caused by misuse, neglect, improper installation, unauthorized attempts to open, repair, or modify the product, or any other cause beyond the range of intended use; (3) damage, caused by accident, fire, power changes, other hazard, or Acts of God; or (4) use of the product with any unauthorized device if such device causes the problem.

Exclusive Remedies

Should a covered defect occur during the warranty period and Customer notifies AirScape, Customer's sole and exclusive remedy will be, at AirScape's sole option and expense, to repair or replace the product. Replacement products or parts may be new or reconditioned or a comparable version of the defective item. AirScape warrants any replaced product or part for a period of ninety (90) days from shipment, or through the end of the original warranty, whichever is longer.

Obtaining Warranty Service

Customer must contact and return product to AirScape, Product dealer or Installer within the applicable warranty period to obtain warranty service. Dated proof of original purchase will be required. AirScape will not be responsible for Customer's memory data contained in, stored on, or integrated with any products returned to AirScape for repair, whether under warranty or not.

Warranty Exclusive

The forgoing warranties and remedies are exclusive and in lieu of all other Warranties, express or implied, including warranties of merchantability, Fitness for a particular purpose, correspondence with description, and Non-infringement, all of which are expressly disclaimed by AirScape and its suppliers.

Disclaimer

Neither AirScape nor its suppliers shall be liable for incidental, consequential, indirect, special, or punitive damages of any kind, or financial loss arising out of or in connection with the sale or use of this product, whether based in contract, Tort (including negligence) or any other theory, even if AirScape has been advised of the possibility of such damages AirScape's entire liability shall be limited to replacement or repair of the product.

CONTACT US



Phone: **866 · 448 · 4187** (8am to 5pm PST)

Email: **experts@airscapefans.com**